

SVI Power Post Lifting Systems

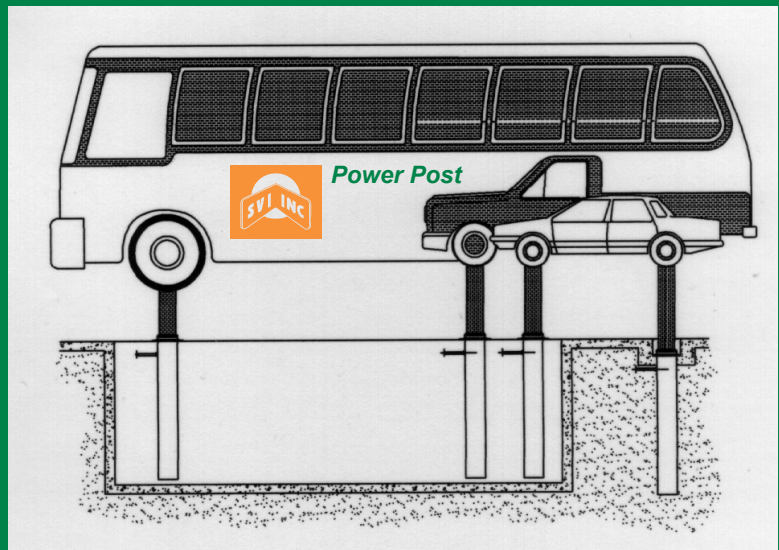
Low cost, last a lifetime lifting solutions. This product has proven itself time and time again for well over 50 years. It is extremely safe and reliable. It is Easy to install, maintain and service. And, with today's casing coatings and Aquamarine® hydraulic oil from CITGO Petroleum environmental concerns are a thing of the past.

Specify only proven products the next time you need a heavy duty lift. New style lifts on the market do not have any track record and are loaded with all kinds of cost, moving parts and electronics. Lifts are the one product that should remain simple for reliable and safe operation.

Low pressure lifts provide full displacement protection. This means a 7-1/2", 10-5/8" or 12-5/8" cylinder rod is fully supporting the load versus lifts made by others today where only a small 2" or 3" cylinder is actually supporting the bus or truck. For controlled descent and optimum safety some things just should not change. Put simplicity and safety back into the shop.

Specify Power Post Lifting Systems! Everyone will rest better at night including the taxpayers and the those who actually work under the lift.

www.sviinternational.com



SVI International, Inc.
155 Harvestore Drive
DeKalb, Illinois 60115
an American Company

SVI is your answer!

© Entire contents SVI International, Inc. 2020

Power Post

Lifting Systems

Table of contents:

| Model: | Capacities: | Page: |
|--------------------------------|------------------------|--------|
| 2P-102 | 11,000 lbs. | 4, 5 |
| 2P-103 | 16,000 lbs. | 6, 7 |
| 2P-202 | 11,000 lbs. | 8, 9 |
| 2P-203 | 16,000 lbs. | 10, 11 |
| 2P-107 | 17,500 lbs. | 12, 13 |
| 2P-108 | 24,000 lbs. | 14, 15 |
| 2P-105 | 24,000 lbs. | 16, 17 |
| 2P-105-M | 24,000 lbs. | 18, 19 |
| 2P-105-RF | 24,000 lbs. | 20, 21 |
| 2P-105-IB | 24,000 lbs. | 22, 23 |
| 2P-106 | 36,000 or 50,000 lbs. | 24, 25 |
| 2P-106-M | 36,000 or 50,000 lbs. | 26, 27 |
| 2P-106-RF | 36,000 or 50,000 lbs. | 28, 29 |
| 2P-106-IB | 36,000 or 50,000 lbs. | 30, 31 |
| 3P-106-DR | 54,000 or 75,000 lbs. | 32, 33 |
| 3P-106-DR-RF | 54,000 or 75,000 lbs. | 34, 35 |
| 3P-106-DR-IB | 54,000 or 75,000 lbs. | 36, 37 |
| 4P-106 | 72,000 or 100,000 lbs. | 38, 39 |
| 4P-106-IB | 72,000 or 100,000 lbs. | 40, 41 |
| 2P-1012 | 43,000 or 60,000 lbs. | 42, 43 |
| 2P-1012-IB | 43,000 or 60,000 lbs. | 44, 45 |
| 2P-1012-DDWS | 43,000 or 60,000 lbs. | 46, 47 |
| 2P-1012-DOR | 43,000 or 60,000 lbs. | 48, 49 |
| Electric Hydraulic Power Units | | 50 |
| Citgo "AQUAMARINE®" Oil Specs | | 50 |

Power Post Lift Models meet or exceed any and or all industry standards, manufacturing processes and design criteria.

Power Post Style Lift Models have been industry and user tested for well over 50 years and provide lift users with the safest available lift selection on the market today.

Written specifications available for bid work and planning.

Power Post Lifting Systems

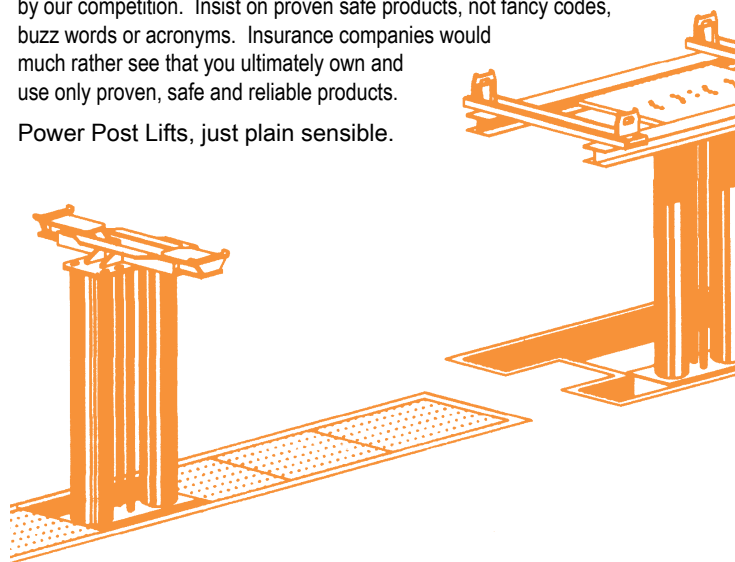
Proven Lifting Solutions

Proven Lifting Technology

Proven Safe!

Special Note: Power Post Lifts should always be considered in your bid process and never excluded due to any exclusionary tactics used by our competition. Insist on proven safe products, not fancy codes, buzz words or acronyms. Insurance companies would much rather see that you ultimately own and use only proven, safe and reliable products.

Power Post Lifts, just plain sensible.



Model 4P-106-IB

**Providing
Capacity
Ranges
from
11,000 lbs.
on up to
100,000 lbs.
or more.
SVI is your answer!**

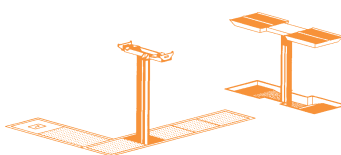
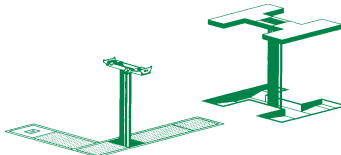
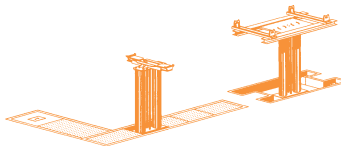
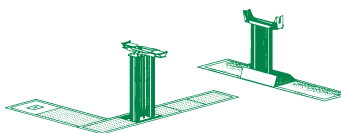
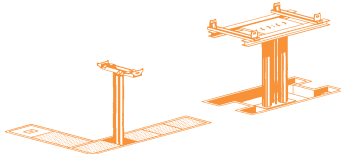
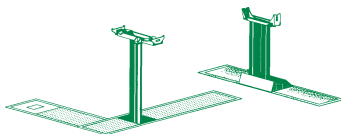
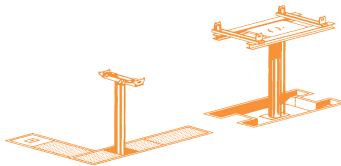
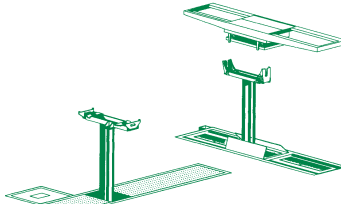
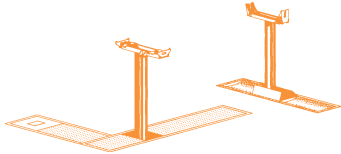
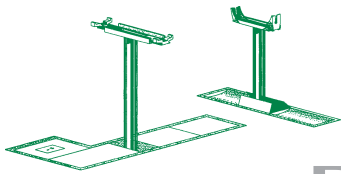
No lift is more reliable or economical to operate than a Power Post in-ground lift. Proven for years, in fact, many Power Post style lifts installed well over 50 years ago are still in service, operating as reliably as the day they were installed. Why? Because, Power Post style lifts have few moving parts and the design is robust, simple, and above all sound.

Safety is key. Power Post low pressure hydraulic lifting systems from SVI, an American owned and operated company, provide the safety you require.

In-ground low pressure lifts are not illegal, banned or even regulated. The EPA has permanently exempted them from regulation. For a copy of the federal mandate you may contact us or refer to www.fedregs.gov/tanks.

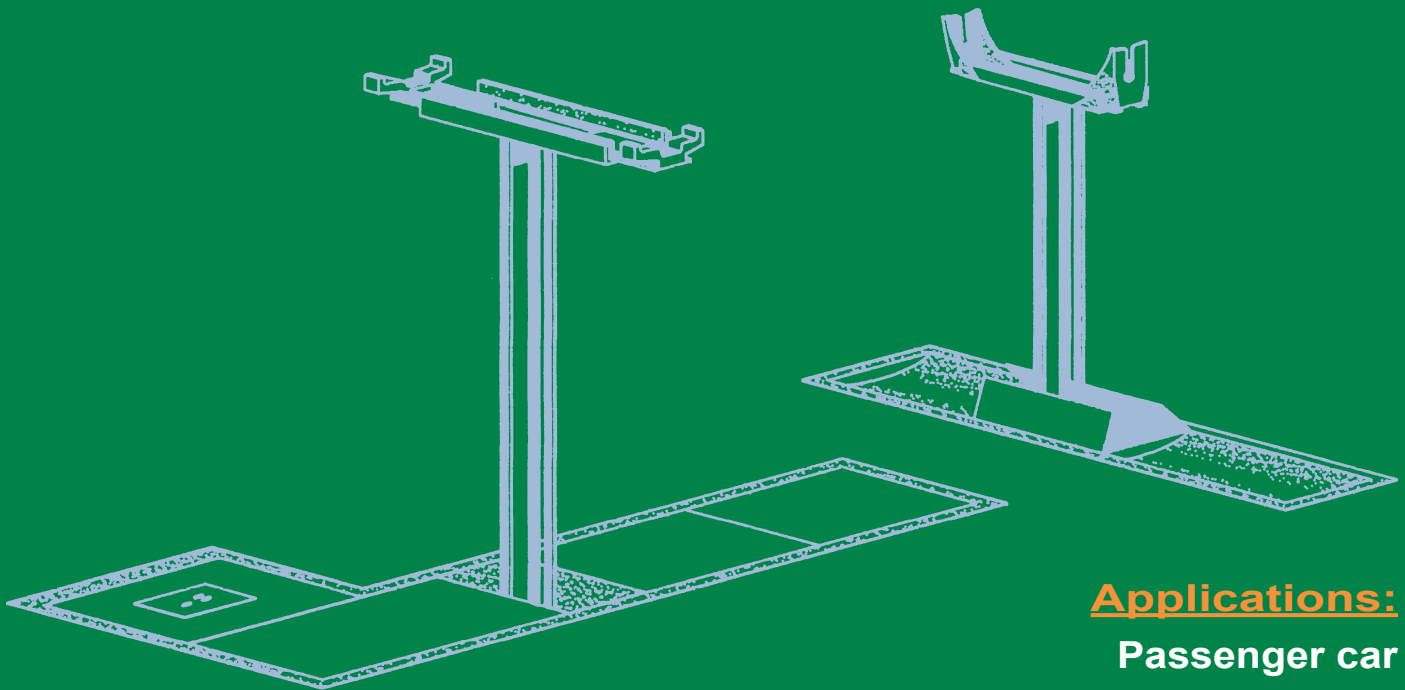
- 🗑 **Lifts that last a lifetime!**
- 🗑 **American Made.**
- 🗑 **Time tested and proven.**
- 🗑 **Proven engineering.**
- 🗑 **Robust design.**
- 🗑 **Ultra-insulative coating to prevent corrosion.**

- 🗑 **Low cost of operation.**
- 🗑 **Reliable and safe for years.**
- 🗑 **Non-stop parts availability.**
- 🗑 **Easy to operate.**
- 🗑 **Easy to maintain / service.**
- 🗑 **Can be operated with Citgo Aquamarine® hydraulic oil.**



2P-102

- Lifting capacity: 11,000 lbs., 5,500 front & 5,500 rear
- Single moveable front and single stationary rear
- Axle engaging
- Adjustable front cylinder for various wheelbase lengths
- Air/Hydraulic Oil Operated
- Post diameters: 7-1/2" front & rear
- Displacement: 28 gallons
- Raised vehicle contact height above floor: 69" front & 73-5/8" rear based on standard adapters
- Multiple lip seal seal design for increased performance



Applications:

Passenger car
Light truck

Power Post Lifting Systems

**fastest, most reliable
and economical
method for lifting**



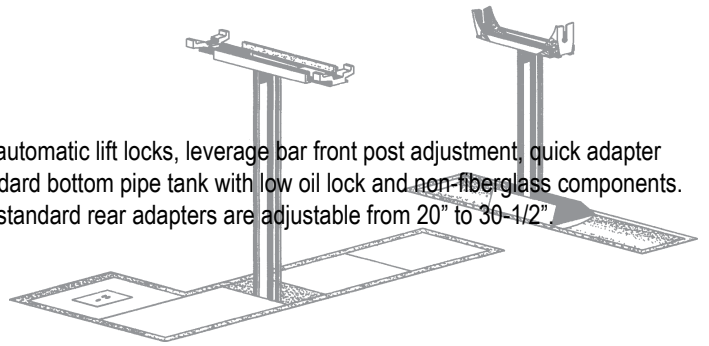
standards & options next page

Proven Lifting Technology

Specifications and Options

2P-102 Standard Equipment:

8 foot front frame (non-recessed), manual waist height release automatic lift locks, leverage bar front post adjustment, quick adapter spotting devices, floor level dead-man style control valves, standard bottom pipe tank with low oil lock and non-fiberglass components. Standard front adapters adjust from 34" to 50-3/4" in width and standard rear adapters are adjustable from 20" to 30-1/2"



Your Easy Upgrade Options:

Front Frame Upgrades:

Additional front frame length for accommodating longer vehicle wheelbase lengths.

| SVI Upgrade Number | Description | SVI Upgrade Number | Description |
|--------------------|-----------------|--------------------|-----------------|
| SV-9670-009-L | 9' Front Frame | SV-9670-013-L | 13' Front Frame |
| SV-9670-010-L | 10' Front Frame | SV-9670-014-L | 14' Front Frame |
| SV-9670-011-L | 11' Front Frame | SV-9670-015-L | 15' Front Frame |
| SV-9670-012-L | 12' Front Frame | SV-9670-016-L | 16' Front Frame |

Additional front frame length including a control box extension and manual ratchet drive.

| SVI Upgrade Number | Description | SVI Upgrade Number | Description |
|--------------------|-----------------------------------|--------------------|-----------------------------------|
| SV-85-009H-L | 9' Frame, Control Ext. & Ratchet | SV-85-013H-L | 13' Frame, Control Ext. & Ratchet |
| SV-85-010H-L | 10' Frame, Control Ext. & Ratchet | SV-85-014H-L | 14' Frame, Control Ext. & Ratchet |
| SV-85-011H-L | 11' Frame, Control Ext. & Ratchet | SV-85-015H-L | 15' Frame, Control Ext. & Ratchet |
| SV-85-012H-L | 12' Frame, Control Ext. & Ratchet | SV-85-016H-L | 16' Frame, Control Ext. & Ratchet |

Air Lock Upgrade:

Converts standard manual release locks to an air operated remote release multi-position lock assembly. This means your lift will lock in positions throughout the stroke rather than just at full stroke as with manual style locks. **To upgrade order SV-52-L**

Power Spot Upgrade:

Not available on this model.

Tank Upgrade:

Your choice of three upgrades. Add fiberglass coating or go to a top pipe style tank. Fiberglass coating protects your component from corrosion. Top pipe style tanks give installers easy access to fittings and helps periodic inspection.

| SVI Upgrade Number | Description |
|--------------------|--|
| SV-9801-1-L | Add Fiberglass Coating to the Standard Tank |
| SV-9801-2-L | Change the Standard Tank to a Top Pipe Tank |
| SV-9801-3-L | Add Fiberglass Coating and Change the Standard Tank to a Top Pipe Tank |

Fiberglass Upgrade:

Fiberglass coat your cylinder components for added protection.

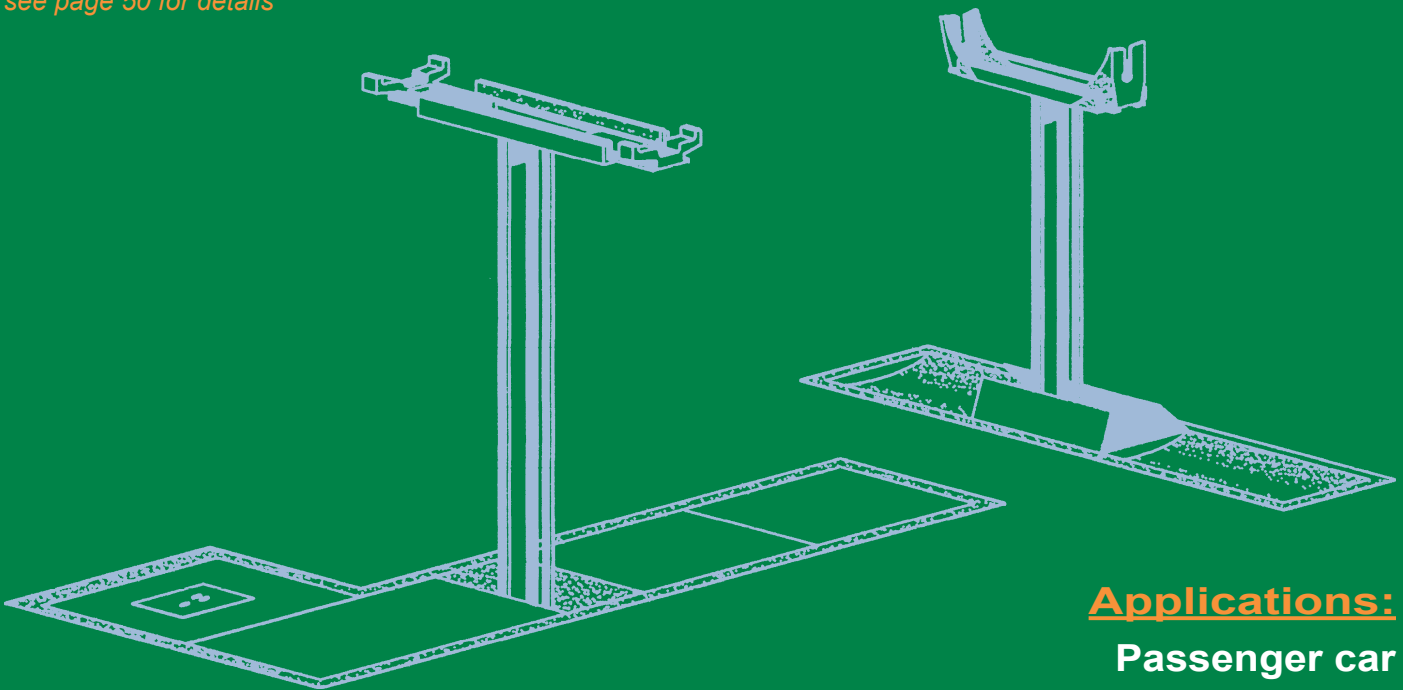
| SVI Upgrade Number | Description |
|--------------------|---|
| SV-9670-05FG-L | Add Fiberglass Coating to the Front Cylinder Assembly |
| SV-9670FG-L | Add Fiberglass Coating to the Rear Cylinder Assembly |



2P-103*

- Lifting capacity: 16,000 lbs., 8,000 front & 8,000 rear
- Single moveable front and single stationary rear
- Axle engaging
- Adjustable front cylinder for various wheelbase lengths
- Electric/Hydraulic Oil Operated
- Post diameters: 7-1/2" front & rear
- Displacement: 28 gallons
- Raised vehicle contact height above floor: 69" front & 73-5/8" rear based on standard adapters
- Multiple lip seal seal design for increased performance

* Requires a power unit
see page 50 for details



Applications:
Passenger car
Light truck

Power Post Lifting Systems

**fastest, most reliable
and economical
method for lifting**



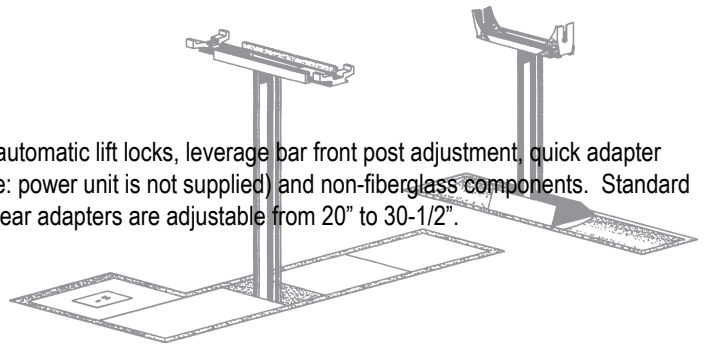
standards & options next page

Proven Lifting Technology

Specifications and Options

2P-103 Standard Equipment:

8 foot front frame (non-recessed), manual waist height release automatic lift locks, leverage bar front post adjustment, quick adapter spotting devices, floor level dead-man style control valves, (note: power unit is not supplied) and non-fiberglass components. Standard front adapters adjust from 34" to 50-3/4" in width and standard rear adapters are adjustable from 20" to 30-1/2".



Your Easy Upgrade Options:

Front Frame Upgrades:

Additional front frame length for accommodating longer vehicle wheelbase lengths.

| SVI Upgrade Number | Description | SVI Upgrade Number | Description |
|--------------------|-----------------|--------------------|-----------------|
| SV-9670-009-L | 9' Front Frame | SV-9670-013-L | 13' Front Frame |
| SV-9670-010-L | 10' Front Frame | SV-9670-014-L | 14' Front Frame |
| SV-9670-011-L | 11' Front Frame | SV-9670-015-L | 15' Front Frame |
| SV-9670-012-L | 12' Front Frame | SV-9670-016-L | 16' Front Frame |

Additional front frame Length including a control box extension and manual ratchet drive.

| SVI Upgrade Number | Description | SVI Upgrade Number | Description |
|--------------------|-----------------------------------|--------------------|-----------------------------------|
| SV-85-009E-L | 9' Frame, Control Ext. & Ratchet | SV-85-013E-L | 13' Frame, Control Ext. & Ratchet |
| SV-85-010E-L | 10' Frame, Control Ext. & Ratchet | SV-85-014E-L | 14' Frame, Control Ext. & Ratchet |
| SV-85-011E-L | 11' Frame, Control Ext. & Ratchet | SV-85-015E-L | 15' Frame, Control Ext. & Ratchet |
| SV-85-012E-L | 12' Frame, Control Ext. & Ratchet | SV-85-016E-L | 16' Frame, Control Ext. & Ratchet |

Air Lock Upgrade:

Converts standard manual release locks to an air operated remote release multi-position lock assembly. This means your lift will lock in positions throughout the stroke rather than just at full stroke as with manual style locks. **To upgrade order SV-52-L**

Power Spot Upgrade:

Not available on this model.

Fiberglass Upgrade:

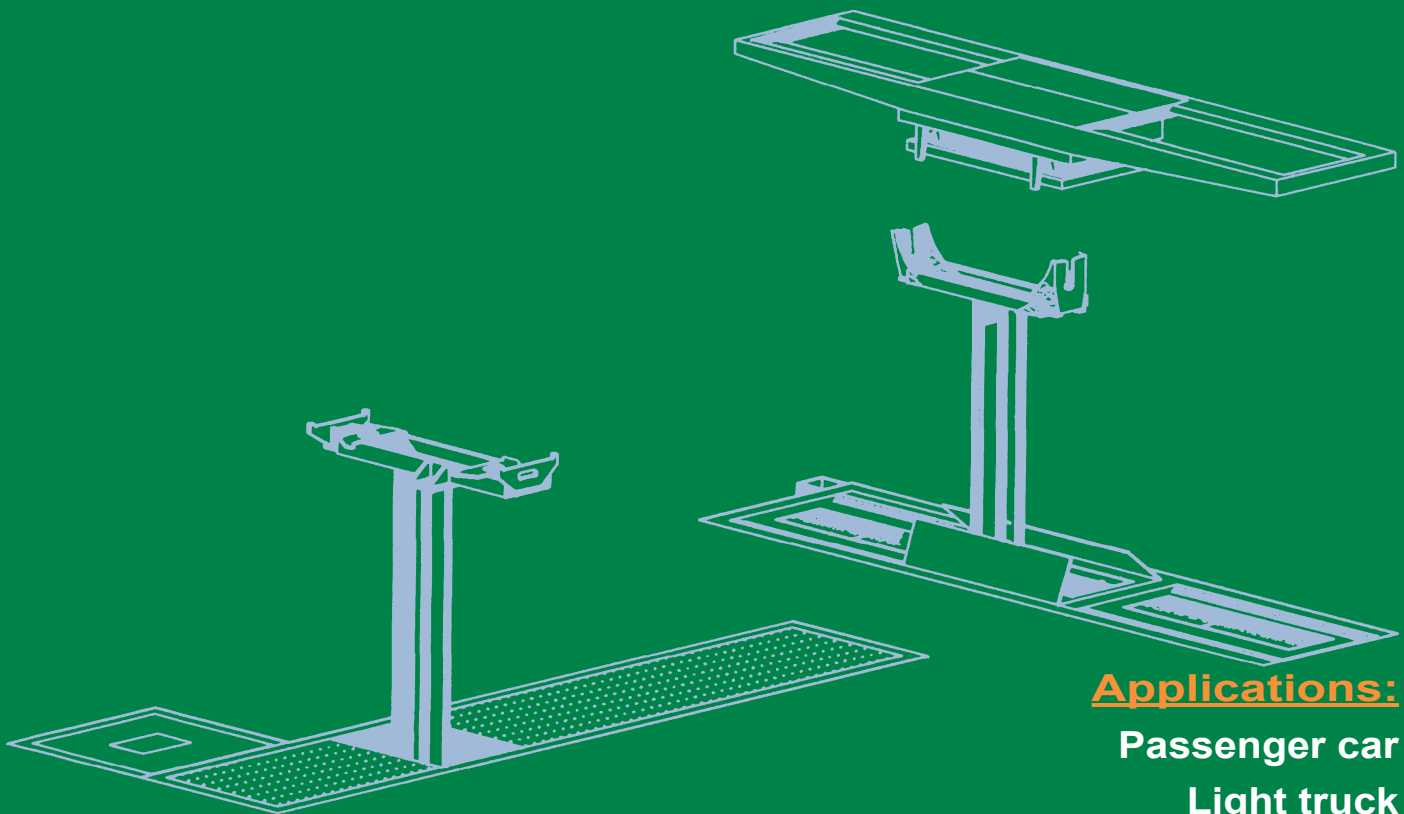
Fiberglass coat your cylinder components for added protection.

| SVI Upgrade Number | Description |
|--------------------|---|
| SV-9670-05FG-L | Add Fiberglass Coating to the Front Cylinder Assembly |
| SV-9670FG-L | Add Fiberglass Coating to the Rear Cylinder Assembly |



2P-202

- Lifting capacity: 11,000 lbs., 5,500 front & 5,500 rear
- Single moveable front and single stationary rear
- Axle engaging front & wheel or axle engaging rear
- Adjustable front cylinder for various wheelbase lengths
- Air/Hydraulic Oil Operated
- Post diameters: 7-1/2" front & rear
- Displacement: 28 gallons
- Raised vehicle contact height above floor: 69" front & 73-5/8" rear based on standard adapters
- Multiple lip seal seal design for increased performance



Applications:

Passenger car
Light truck

Power Post Lifting Systems

fastest, most reliable
and economical
method for lifting



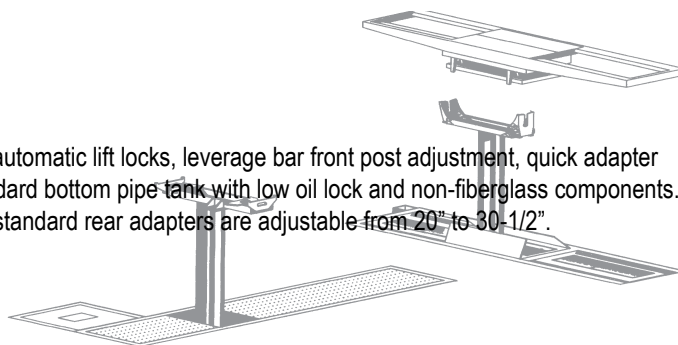
standards & options next page

Proven Lifting Technology

Specifications and Options

2P-202 Standard Equipment:

8 foot front frame (non-recessed), manual waist height release automatic lift locks, leverage bar front post adjustment, quick adapter spotting devices, floor level dead-man style control valves, standard bottom pipe tank with low oil lock and non-fiberglass components. Standard front adapters adjust from 34" to 50-3/4" in width and standard rear adapters are adjustable from 20" to 30-1/2".



Your Easy Upgrade Options:

Front Frame Upgrades:

Additional front frame length for accommodating longer vehicle wheelbase lengths.

| SVI Upgrade Number | Description | SVI Upgrade Number | Description |
|--------------------|-----------------|--------------------|-----------------|
| SV-9670-009-L | 9' Front Frame | SV-9670-013-L | 13' Front Frame |
| SV-9670-010-L | 10' Front Frame | SV-9670-014-L | 14' Front Frame |
| SV-9670-011-L | 11' Front Frame | SV-9670-015-L | 15' Front Frame |
| SV-9670-012-L | 12' Front Frame | SV-9670-016-L | 16' Front Frame |

Additional front frame length including a control box extension and manual ratchet drive.

| SVI Upgrade Number | Description | SVI Upgrade Number | Description |
|--------------------|-----------------------------------|--------------------|-----------------------------------|
| SV-85-009H-L | 9' Frame, Control Ext. & Ratchet | SV-85-013H-L | 13' Frame, Control Ext. & Ratchet |
| SV-85-010H-L | 10' Frame, Control Ext. & Ratchet | SV-85-014H-L | 14' Frame, Control Ext. & Ratchet |
| SV-85-011H-L | 11' Frame, Control Ext. & Ratchet | SV-85-015H-L | 15' Frame, Control Ext. & Ratchet |
| SV-85-012H-L | 12' Frame, Control Ext. & Ratchet | SV-85-015H-L | 16' Frame, Control Ext. & Ratchet |

Air Lock Upgrade:

Converts standard manual release locks to an air operated remote release multi-position lock assembly. This means your lift will lock in positions throughout the stroke rather than just at full stroke as with manual style locks. **To upgrade order SV-52-L**

Power Spot Upgrade:

Not available on this model.

Tank Upgrade:

Your choice of three upgrades. Add fiberglass coating or go to a top pipe style tank. Fiberglass coating protects your component from corrosion. Top pipe style tanks give installers easy access to fittings and helps periodic inspection.

| SVI Upgrade Number | Description |
|--------------------|--|
| SV-9801-1-L | Add Fiberglass Coating to the Standard Tank |
| SV-9801-2-L | Change the Standard Tank to a Top Pipe Tank |
| SV-9801-3-L | Add Fiberglass Coating and Change the Standard Tank to a Top Pipe Tank |

Fiberglass Upgrade:

Fiberglass coat your cylinder components for added protection.

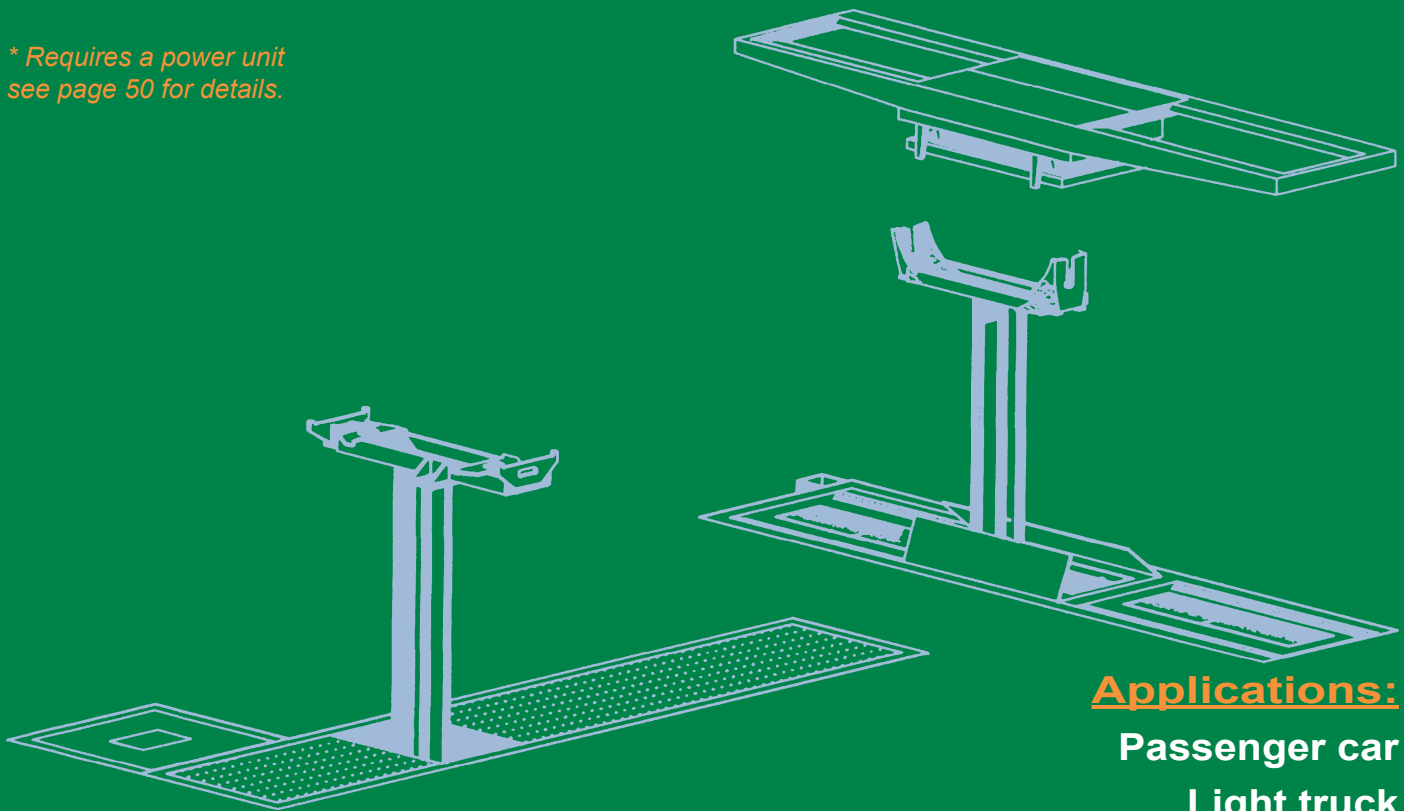
| SVI Upgrade Number | Description |
|--------------------|---|
| SV-9670-05FG-L | Add Fiberglass Coating to the Front Cylinder Assembly |
| SV-9670FG-L | Add Fiberglass Coating to the Rear Cylinder Assembly |



2P-203*

- Lifting capacity: 16,000 lbs., 8,000 front & 8,000 rear
- Single moveable front and single stationary rear
- Axle engaging front & wheel or axle engaging rear
- Adjustable front cylinder for various wheelbase lengths
- Electric/Hydraulic Oil Operated
- Post diameters: 7-1/2" front & rear
- Displacement: 28 gallons
- Raised vehicle contact height above floor: 69" front & 73-5/8" rear based on standard adapters
- Multiple lip seal seal design for increased performance

* Requires a power unit
see page 50 for details.



Applications:
Passenger car
Light truck

Power Post Lifting Systems

**fastest, most reliable
and economical
method for lifting**



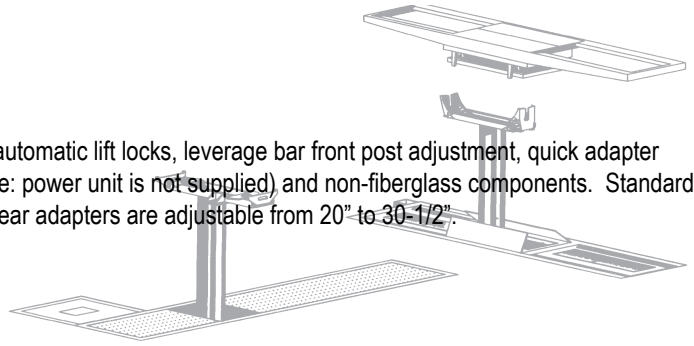
standards & options next page

Proven Lifting Technology

Specifications and Options

2P-203 Standard Equipment:

8 foot front frame (non-recessed), manual waist height release automatic lift locks, leverage bar front post adjustment, quick adapter spotting devices, floor level dead-man style control valves, (note: power unit is not supplied) and non-fiberglass components. Standard front adapters adjust from 34" to 50-3/4" in width and standard rear adapters are adjustable from 20" to 30-1/2".



Your Easy Upgrade Options:

Front Frame Upgrades:

Additional front frame length for accommodating longer vehicle wheelbase lengths.

| SVI Upgrade Number | Description | SVI Upgrade Number | Description |
|--------------------|-----------------|--------------------|-----------------|
| SV-9670-009-L | 9' Front Frame | SV-9670-013-L | 13' Front Frame |
| SV-9670-010-L | 10' Front Frame | SV-9670-014-L | 14' Front Frame |
| SV-9670-011-L | 11' Front Frame | SV-9670-015-L | 15' Front Frame |
| SV-9670-012-L | 12' Front Frame | SV-9670-015-L | 16' Front Frame |

Additional front frame length including a control box extension and manual ratchet drive.

| SVI Upgrade Number | Description | SVI Upgrade Number | Description |
|--------------------|-----------------------------------|--------------------|-----------------------------------|
| SV-85-009E-L | 9' Frame, Control Ext. & Ratchet | SV-85-013E-L | 13' Frame, Control Ext. & Ratchet |
| SV-85-010E-L | 10' Frame, Control Ext. & Ratchet | SV-85-014E-L | 14' Frame, Control Ext. & Ratchet |
| SV-85-011E-L | 11' Frame, Control Ext. & Ratchet | SV-85-015E-L | 15' Frame, Control Ext. & Ratchet |
| SV-85-012E-L | 12' Frame, Control Ext. & Ratchet | SV-85-015E-L | 16' Frame, Control Ext. & Ratchet |

Air Lock Upgrade:

Converts standard manual release locks to an air operated remote release multi-position lock assembly. This means your lift will lock in positions throughout the stroke rather than just at full stroke as with manual style locks. **To upgrade order SV-52-L**

Power Spot Upgrade:

Not available on this model.

Fiberglass Upgrade:

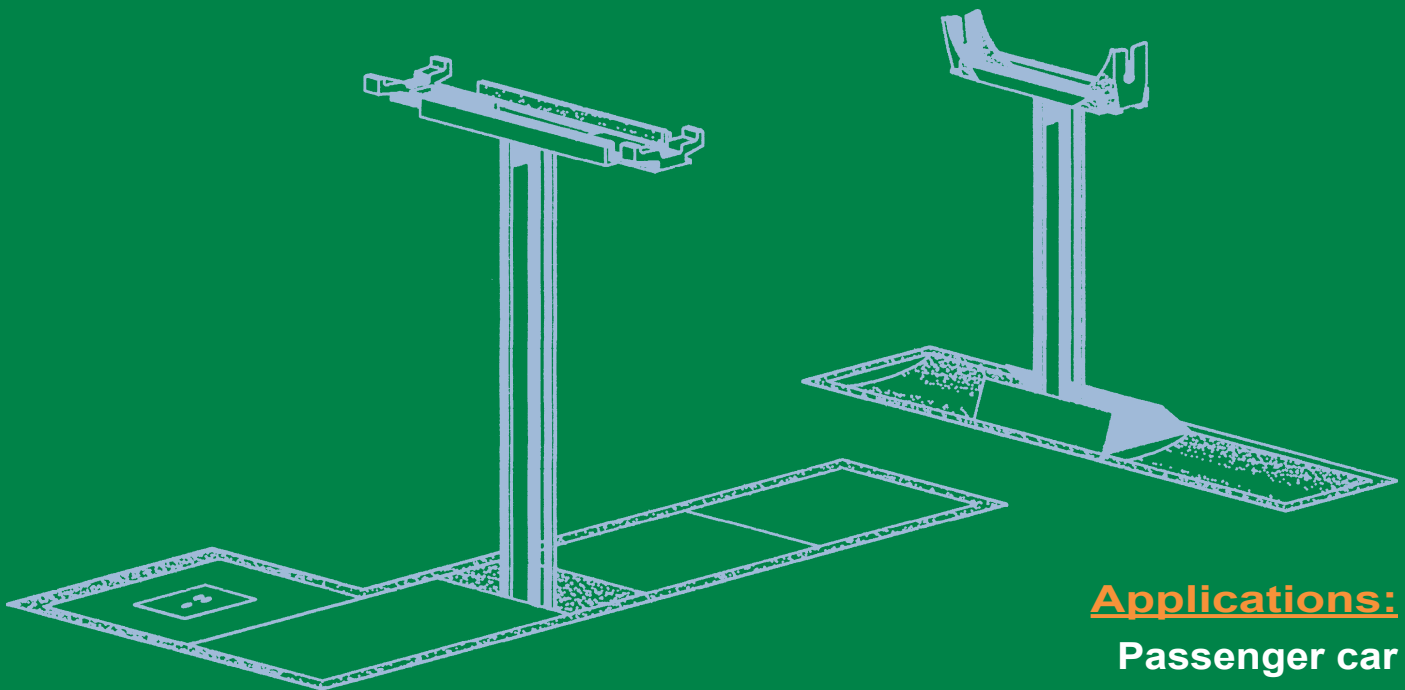
Fiberglass coat your cylinder components for added protection.

| SVI Upgrade Number | Description |
|--------------------|---|
| SV-9670-05FG-L | Add Fiberglass Coating to the Front Cylinder Assembly |
| SV-9670FG-L | Add Fiberglass Coating to the Rear Cylinder Assembly |



2P-107

- Lifting capacity: 17,500 lbs., 5,500 front & 12,000 rear
- Single moveable front and single stationary rear
- Axle engaging
- Adjustable front cylinder for various wheelbase lengths
- Air/Hydraulic Oil Operated
- Post diameters: 7-1/2" front & 10-5/8" rear
- Displacement: 39 gallons
- Raised vehicle contact height above floor: 69" front & 69-3/4" rear based on standard adapters
- Multiple lip seal seal design for increased performance



Applications:

Passenger car

Light truck

Medium Truck

Power Post Lifting Systems

**fastest, most reliable
and economical
method for lifting**



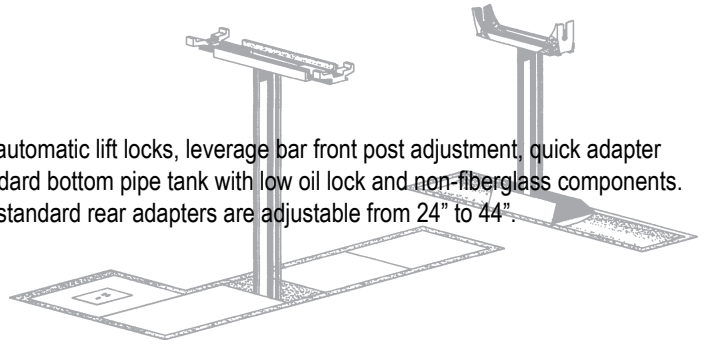
standards & options next page

Proven Lifting Technology

Specifications and Options

2P-107 Standard Equipment:

8 foot front frame (non-recessed), manual waist height release automatic lift locks, leverage bar front post adjustment, quick adapter spotting devices, floor level dead-man style control valves, standard bottom pipe tank with low oil lock and non-fiberglass components. Standard front adapters adjust from 37-1/2" to 60" in width and standard rear adapters are adjustable from 24" to 44".



Your Easy Upgrade Options:

Front Frame Upgrades:

Additional front frame length for accommodating longer vehicle wheelbase lengths.

| SVI Upgrade Number | Description | SVI Upgrade Number | Description |
|--------------------|-----------------|--------------------|-----------------|
| SV-9670-009-L | 9' Front Frame | SV-9670-013-L | 13' Front Frame |
| SV-9670-010-L | 10' Front Frame | SV-9670-014-L | 14' Front Frame |
| SV-9670-011-L | 11' Front Frame | SV-9670-015-L | 15' Front Frame |
| SV-9670-012-L | 12' Front Frame | SV-9670-016-L | 16' Front Frame |

Additional front frame length including a control box extension and manual ratchet drive.

| SVI Upgrade Number | Description | SVI Upgrade Number | Description |
|--------------------|-----------------------------------|--------------------|-----------------------------------|
| SV-85-009H-L | 9' Frame, Control Ext. & Ratchet | SV-85-013H-L | 13' Frame, Control Ext. & Ratchet |
| SV-85-010H-L | 10' Frame, Control Ext. & Ratchet | SV-85-014H-L | 14' Frame, Control Ext. & Ratchet |
| SV-85-011H-L | 11' Frame, Control Ext. & Ratchet | SV-85-015H-L | 15' Frame, Control Ext. & Ratchet |
| SV-85-012H-L | 12' Frame, Control Ext. & Ratchet | SV-85-016H-L | 16' Frame, Control Ext. & Ratchet |

Air Lock Upgrade:

Converts standard manual release locks to a remote release multi-position lock assembly. This means your lift will lock in positions throughout the stroke rather than just at full stroke as with manual style locks. **To upgrade order SV-54-L**

Power Spot Upgrade:

Not available on this model.

Tank Upgrade:

Your choice of three upgrades. Add fiberglass coating or go to a top pipe style tank. Fiberglass coating protects your component from corrosion.

| SVI Upgrade Number | Description |
|--------------------|---|
| SV-9805-L | Add Fiberglass Coating to the Standard Tank |

Please note: Top pipe tank not available for 2P-107

Fiberglass Upgrade:

Fiberglass coat your cylinder components for added protection.

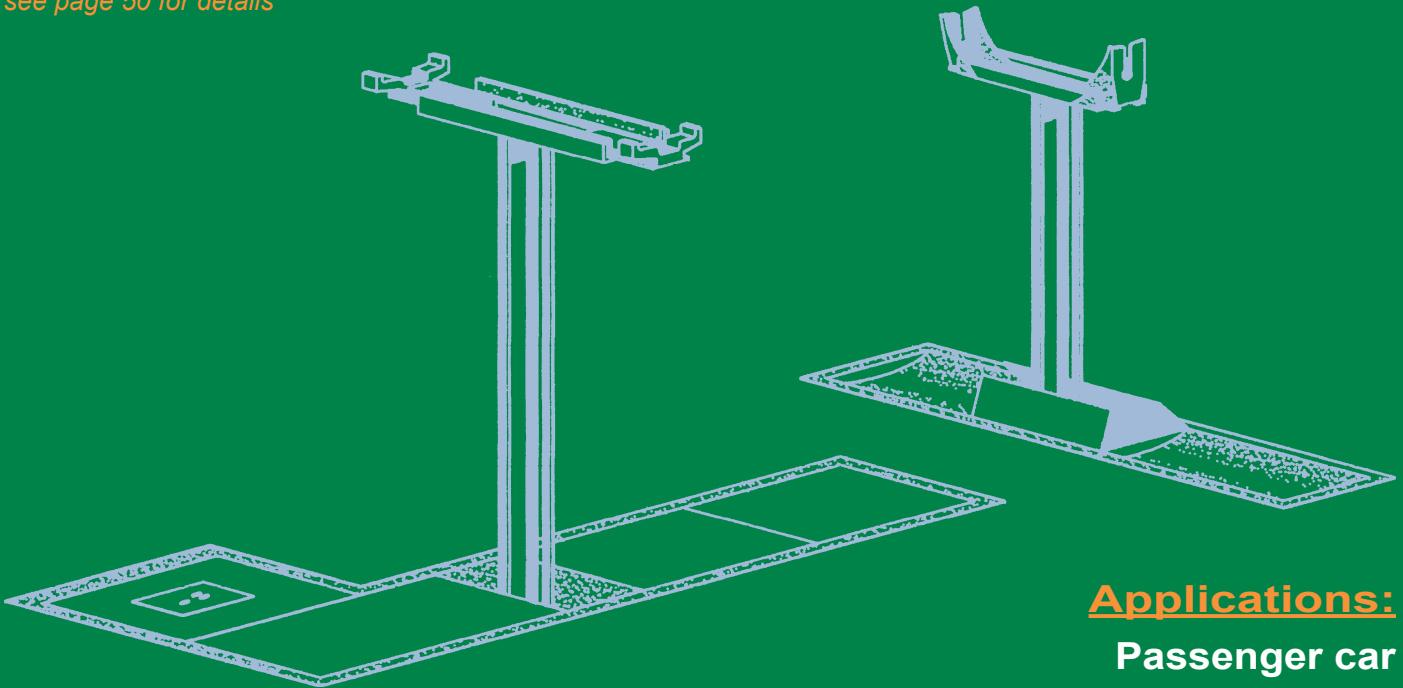
| SVI Upgrade Number | Description |
|--------------------|---|
| SV-9670-05FG-L | Add Fiberglass Coating to the Front Cylinder Assembly |
| SV-9667-32FG-L | Add Fiberglass Coating to the Rear Cylinder Assembly |



2P-108*

- Lifting capacity: 24,000 lbs., 8,000 front & 16,000 rear
 - Single moveable front and single stationary rear
- Axle engaging
- Adjustable front cylinder for various wheelbase lengths
- Electric/Hydraulic Oil Operated
- Post diameters: 7-1/2" front & 10-5/8" rear
- Displacement: 39 gallons
- Raised vehicle contact height above floor: 69" front & 69-3/4" rear based on standard adapters
- Multiple lip seal seal design for increased performance

* Requires a power unit
see page 50 for details



Applications:

Passenger car
Light truck
Medium Truck

Power Post Lifting Systems

**fastest, most reliable
and economical
method for lifting**



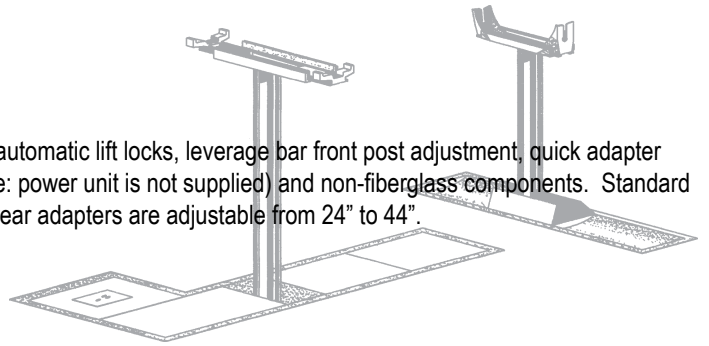
standards & options next page

Proven Lifting Technology

Specifications and Options

2P-108 Standard Equipment:

8 foot front frame (non-recessed), manual waist height release automatic lift locks, leverage bar front post adjustment, quick adapter spotting devices, floor level dead-man style control valves, (note: power unit is not supplied) and non-fiberglass components. Standard front adapters adjust from 37-1/2" to 60" in width and standard rear adapters are adjustable from 24" to 44".



Your Easy Upgrade Options:

Front Frame Upgrades:

Additional front frame length for accommodating longer vehicle wheelbase lengths.

| SVI Upgrade Number | Description | SVI Upgrade Number | Description |
|--------------------|-----------------|--------------------|-----------------|
| SV-9670-009-L | 9' Front Frame | SV-9670-013-L | 13' Front Frame |
| SV-9670-010-L | 10' Front Frame | SV-9670-014-L | 14' Front Frame |
| SV-9670-011-L | 11' Front Frame | SV-9670-015-L | 15' Front Frame |
| SV-9670-012-L | 12' Front Frame | SV-9670-016-L | 16' Front Frame |

Additional front frame length including a control box extension and manual ratchet drive.

| SVI Upgrade Number | Description | SVI Upgrade Number | Description |
|--------------------|-----------------------------------|--------------------|-----------------------------------|
| SV-85-009E-L | 9' Frame, Control Ext. & Ratchet | SV-85-013E-L | 13' Frame, Control Ext. & Ratchet |
| SV-85-010E-L | 10' Frame, Control Ext. & Ratchet | SV-85-014E-L | 14' Frame, Control Ext. & Ratchet |
| SV-85-011E-L | 11' Frame, Control Ext. & Ratchet | SV-85-015E-L | 15' Frame, Control Ext. & Ratchet |
| SV-85-012E-L | 12' Frame, Control Ext. & Ratchet | SV-85-016E-L | 16' Frame, Control Ext. & Ratchet |

Air Lock Upgrade:

Converts standard manual release locks to an air operated remote release multi-position lock assembly. This means your lift will lock in positions throughout the stroke rather than just at full stroke as with manual style locks. **To upgrade order SV-54-L**

Power Spot Upgrade:

Not available on this model.

Fiberglass Upgrade:

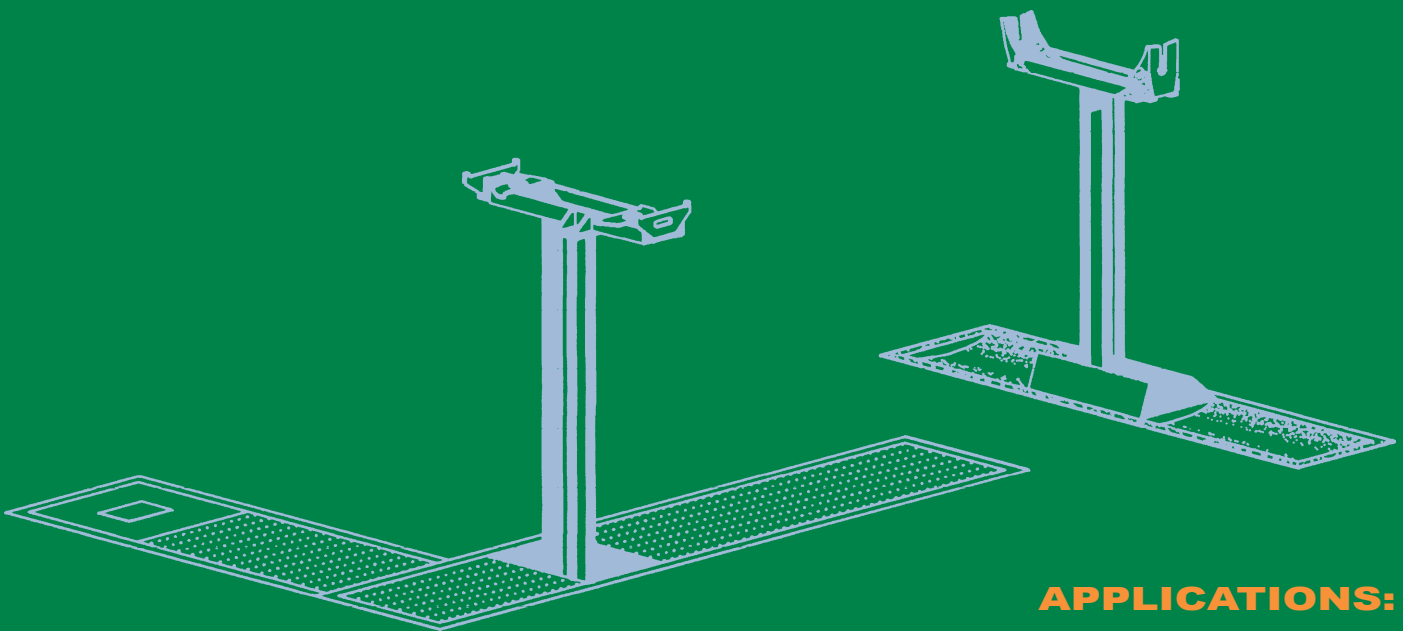
Fiberglass coat your cylinder components for added protection.

| SVI Upgrade Number | Description |
|--------------------|---|
| SV-9670-05FG-L | Add Fiberglass Coating to the Front Cylinder Assembly |
| SV-9667-32FG-L | Add Fiberglass Coating to the Rear Cylinder Assembly |



2P-105

- Lifting capacity: 24,000 lbs., 12,000 front & 12,000 rear
- Single moveable front and single stationary rear
- Axle engaging
- Adjustable front cylinder for various wheelbase lengths
- Air/Hydraulic Oil Operated
- Post diameters: 10-5/8" front & rear
- Displacement: 50 gallons
- Raised vehicle contact height above floor: 67" front & 69-3/4" rear based on standard adapters
- Multiple lip seal seal design for increased performance



APPLICATIONS:

Truck Dealerships

School Buses

Municipal Garages

or wherever heavy-duty vehicle lifting is required

Power Post Lifting Systems

**fastest, most reliable
and economical
method for lifting**



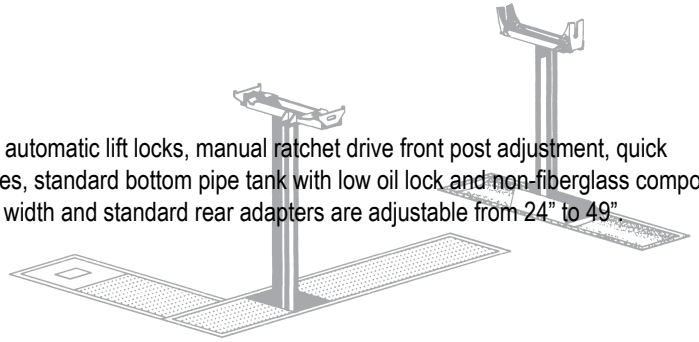
standards & options next page

Proven Lifting Technology

Specifications and Options

2P-105 Standard Equipment:

12 foot front frame (non-recessed), manual waist height release automatic lift locks, manual ratchet drive front post adjustment, quick adapter spotting devices, floor level dead-man style control valves, standard bottom pipe tank with low oil lock and non-fiberglass components. Standard front adapters adjust from 40-1/2" to 57-1/2" in width and standard rear adapters are adjustable from 24" to 49"



Your Easy Upgrade Options:

Front Frame Upgrades:

Additional front frame length for accommodating longer vehicle wheelbase lengths.

| SVI Upgrade Number | Description | SVI Upgrade Number | Description |
|--------------------|-----------------|--|-----------------|
| SV-9667-013-L | 13' Front Frame | SV-9667-017-L | 17' Front Frame |
| SV-9667-014-L | 14' Front Frame | SV-9667-018-L | 18' Front Frame |
| SV-9667-015-L | 15' Front Frame | | |
| SV-9667-016-L | 16' Front Frame | Longer front frame lengths available per request | |

Air Lock Upgrade:

Converts standard manual release locks to an air operated remote release multi-position lock assembly. This means your lift will lock in positions throughout the stroke rather than just at full stroke as with manual style locks. **To upgrade order SV-56-L**

Power Spot Upgrade:

Not available on this model.

Tank Upgrade:

Your choice of three upgrades. Add fiberglass coating or go to a top pipe style tank. Fiberglass coating protects your component from corrosion. Top pipe style tanks give installers easy access to fittings and helps periodic inspection.

| SVI Upgrade Number | Description |
|--------------------|--|
| SV-9804-1-L | Add Fiberglass Coating to the Standard Tank |
| SV-9804-2-L | Change the Standard Tank to a Top Pipe Tank |
| SV-9804-3-L | Add Fiberglass Coating and Change the Standard Tank to a Top Pipe Tank |

Fiberglass Upgrade:

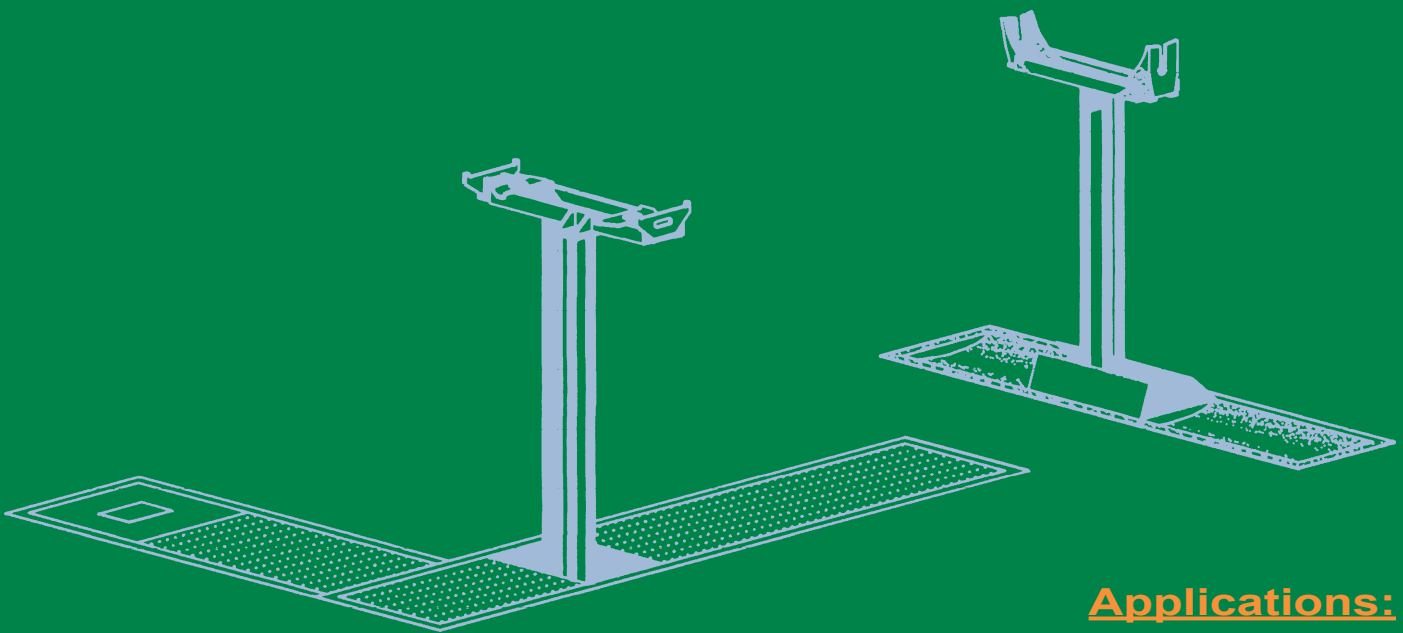
Fiberglass coat your cylinder components for added protection.

| SVI Upgrade Number | Description |
|--------------------|---|
| SV-9667-32FFG-L | Add Fiberglass Coating to the Front Cylinder Assembly |
| SV-9667-32FG-L | Add Fiberglass Coating to the Rear Cylinder Assembly |



2P-105-M

- Lifting capacity: 24,000 lbs., 12,000 front & 12,000 rear
- Single moveable front and single stationary rear
- Axle engaging with modified narrow range rear saddle
- Adjustable front cylinder for various wheelbase lengths
- Air/Hydraulic Oil Operated
- Post diameters: 10-5/8" front & rear
- Displacement: 50 gallons
- Raised vehicle contact height above floor: 67" front & 69-3/4" rear based on standard adapters
- Multiple lip seal seal design for increased performance



Applications:

Truck Dealerships

School Buses

Municipal Garages

or wherever heavy-duty vehicle lifting is required

Power Post Lifting Systems

fastest, most reliable
and economical
method for lifting



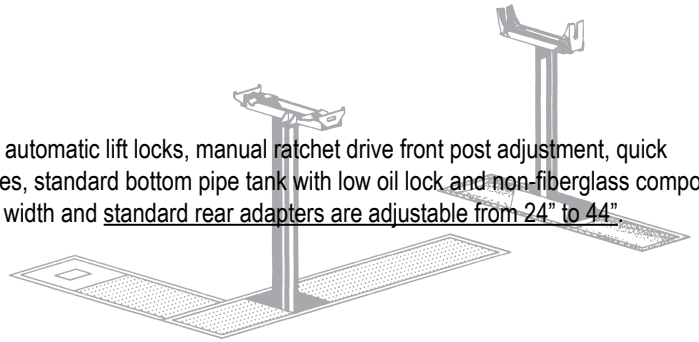
standards & options next page

Proven Lifting Technology

Specifications and Options

2P-105-M Standard Equipment:

12 foot front frame (non-recessed), manual waist height release automatic lift locks, manual ratchet drive front post adjustment, quick adapter spotting devices, floor level dead-man style control valves, standard bottom pipe tank with low oil lock and non-fiberglass components. Standard front adapters adjust from 40-1/2" to 57-1/2" in width and standard rear adapters are adjustable from 24" to 44"



Your Easy Upgrade Options:

Front Frame Upgrades:

Additional front frame length for accommodating longer vehicle wheelbase lengths.

| SVI Upgrade Number | Description | SVI Upgrade Number | Description |
|--------------------|-----------------|--------------------|--|
| SV-9667-013-L | 13' Front Frame | SV-9667-017-L | 17' Front Frame |
| SV-9667-014-L | 14' Front Frame | SV-9667-018-L | 18' Front Frame |
| SV-9667-015-L | 15' Front Frame | | |
| SV-9667-016-L | 16' Front Frame | | Longer front frame lengths available per request |

Air Lock Upgrade:

Converts standard manual release locks to an air operated remote release multi-position lock assembly. This means your lift will lock in positions throughout the stroke rather than just at full stroke as with manual style locks. **To upgrade order SV-56-L**

Power Spot Upgrade:

Not available on this model.

Tank Upgrade:

Your choice of three upgrades. Add fiberglass coating or go to a top pipe style tank. Fiberglass coating protects your component from corrosion. Top pipe style tanks give installers easy access to fittings and helps periodic inspection.

| SVI Upgrade Number | Description |
|--------------------|--|
| SV-9804-1-L | Add Fiberglass Coating to the Standard Tank |
| SV-9804-2-L | Change the Standard Tank to a Top Pipe Tank |
| SV-9804-3-L | Add Fiberglass Coating and Change the Standard Tank to a Top Pipe Tank |

Fiberglass Upgrade:

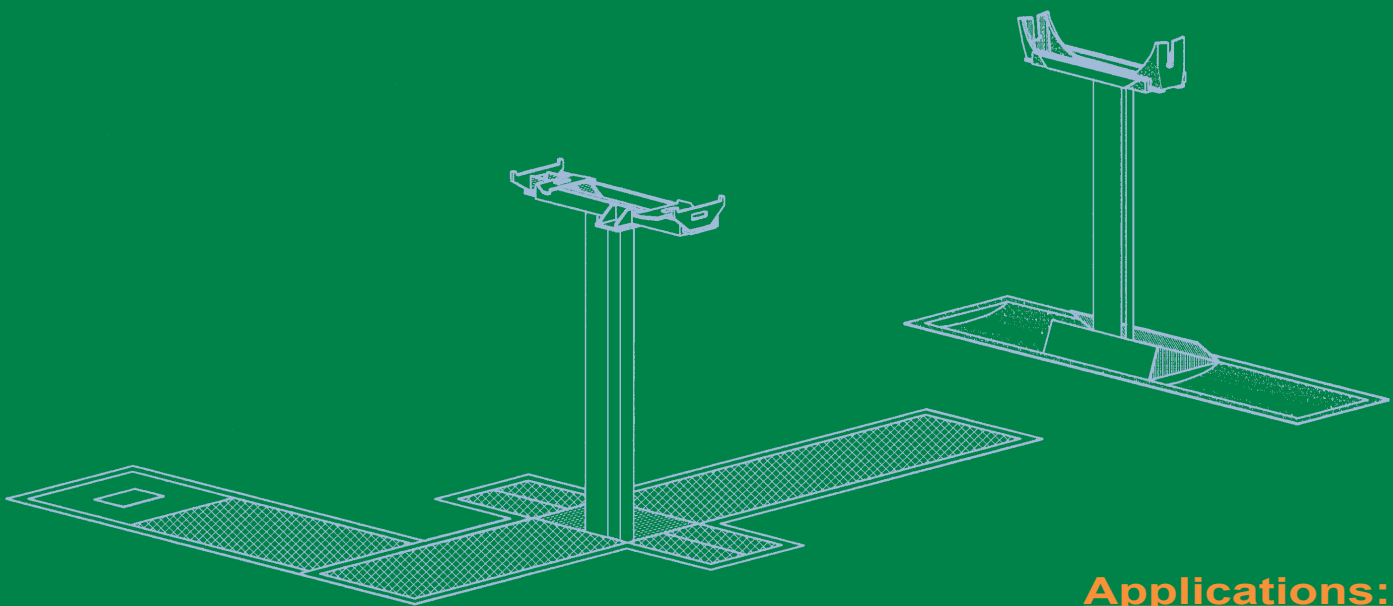
Fiberglass coat your cylinder components for added protection.

| SVI Upgrade Number | Description |
|--------------------|---|
| SV-9667-32FFG-L | Add Fiberglass Coating to the Front Cylinder Assembly |
| SV-9667-32FG-L | Add Fiberglass Coating to the Rear Cylinder Assembly |



2P-105-RF

- Lifting capacity: 24,000 lbs., 12,000 front & 12,000 rear
- Single moveable recessed front and single stationary rear
- Axle engaging
- Adjustable front cylinder for various wheelbase lengths
- Air/Hydraulic Oil Operated
- Post diameters: 10-5/8" front & rear
- Displacement: 50 gallons
- Raised vehicle contact height above floor: 67" front & 69-3/4" rear based on standard adapters
- Multiple lip seal seal design for increased performance



Applications:

Truck Dealerships

School Buses

Municipal Garages

or wherever heavy-duty vehicle lifting is required

Power Post Lifting Systems

fastest, most reliable
and economical
method for lifting



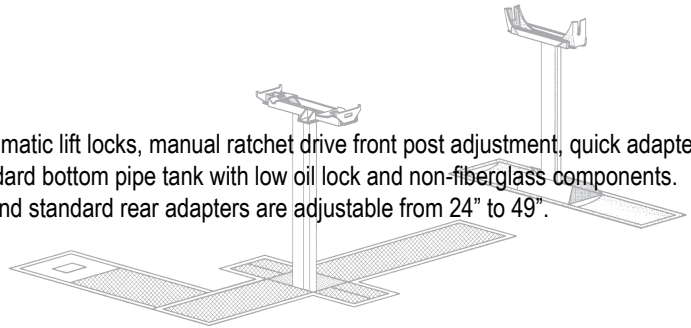
standards & options next page

Proven Lifting Technology

Specifications and Options

2P-105-RF Standard Equipment:

12 foot front frame (recessed), manual waist height release automatic lift locks, manual ratchet drive front post adjustment, quick adapter spotting devices, floor level dead-man style control valves, standard bottom pipe tank with low oil lock and non-fiberglass components. Standard front adapters adjust from 40-1/2" to 57-1/2" in width and standard rear adapters are adjustable from 24" to 49".



Your Easy Upgrade Options:

Front Frame Upgrades:

Additional front frame length for accommodating longer vehicle wheelbase lengths.

| SVI Upgrade Number | Description | SVI Upgrade Number | Description |
|--------------------|-----------------|--------------------|--|
| SV-9667-013-LR | 13' Front Frame | SV-9667-017-LR | 17' Front Frame |
| SV-9667-014-LR | 14' Front Frame | SV-9667-018-LR | 18' Front Frame |
| SV-9667-015-LR | 15' Front Frame | | |
| SV-9667-016-LR | 16' Front Frame | | Longer front frame lengths available per request |

Air Lock Upgrade:

Converts standard manual release locks to an air operated remote release multi-position lock assembly. This means your lift will lock in positions throughout the stroke rather than just at full stroke as with manual style locks. **To upgrade order SV-56-L**

Power Spot Upgrade:

Not available on this model.

Tank Upgrade:

Your choice of three upgrades. Add fiberglass coating or go to a top pipe style tank. Fiberglass coating protects your component from corrosion. Top pipe style tanks give installers easy access to fittings and helps periodic inspection.

| SVI Upgrade Number | Description |
|--------------------|--|
| SV-9804-1-L | Add Fiberglass Coating to the Standard Tank |
| SV-9804-2-L | Change the Standard Tank to a Top Pipe Tank |
| SV-9804-3-L | Add Fiberglass Coating and Change the Standard Tank to a Top Pipe Tank |

Fiberglass Upgrade:

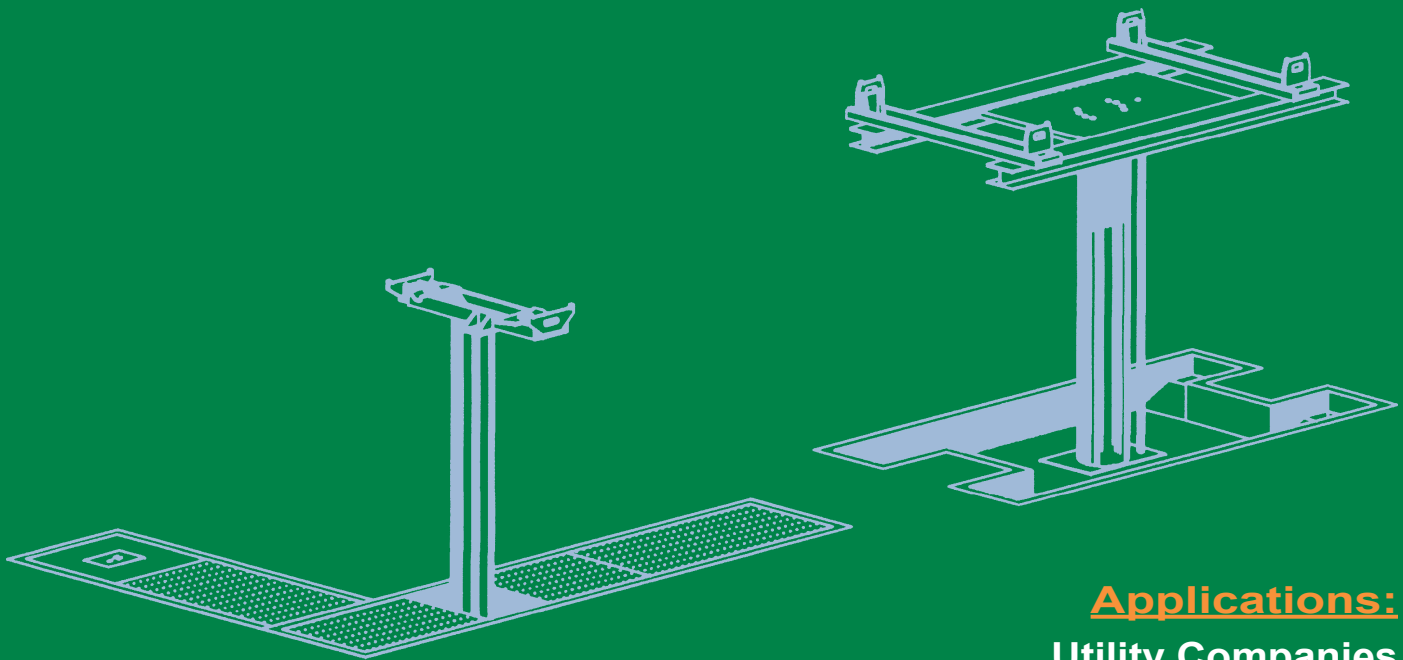
Fiberglass coat your cylinder components for added protection.

| SVI Upgrade Number | Description |
|--------------------|---|
| SV-9667-32FFG-L | Add Fiberglass Coating to the Front Cylinder Assembly |
| SV-9667-32FG-L | Add Fiberglass Coating to the Rear Cylinder Assembly |



2P-105-IB

- Lifting capacity: 24,000 lbs., 12,000 front & 12,000 rear
- Axle engaging front saddle and adapters. I-Beam style rear superstructure equipped with adjustable saddles and adapters to engage vehicle axles, suspension or cross frame member.
- Adjustable front cylinder for various wheelbase lengths
- Air/Hydraulic Oil or Biodegradable Fluid Operated
- Post diameters: 10-5/8" front & rear
- Displacement: 50 gallons
- Raised vehicle contact height above floor: 67" front & 69-3/4" rear based on standard adapters
- Multiple lip seal seal design for increased performance



Applications:

Utility Companies

Fleet Service Facilities

Municipal Garages

or wherever heavy-duty vehicle lifting is required

Power Post Lifting Systems

**fastest, most reliable
and economical
method for lifting**



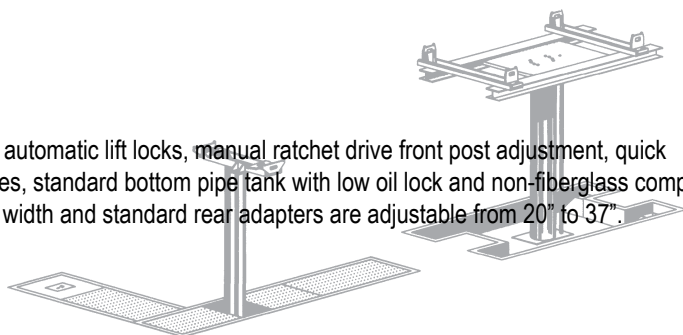
standards & options next page

Proven Lifting Technology

Specifications and Options

2P-105-IB Standard Equipment:

12 foot front frame (non-recessed), manual waist height release automatic lift locks, manual ratchet drive front post adjustment, quick adapter spotting devices, floor level dead-man style control valves, standard bottom pipe tank with low oil lock and non-fiberglass components. Standard front adapters adjust from 40-1/2" to 57-1/2" in width and standard rear adapters are adjustable from 20" to 37".



Your Easy Upgrade Options:

Front Frame Upgrades:

Additional front frame length for accommodating longer vehicle wheelbase lengths.

| SVI Upgrade Number | Description | SVI Upgrade Number | Description |
|--------------------|-----------------|--------------------|--|
| SV-9667-013-L | 13' Front Frame | SV-9667-017-L | 17' Front Frame |
| SV-9667-014-L | 14' Front Frame | SV-9667-018-L | 18' Front Frame |
| SV-9667-015-L | 15' Front Frame | | |
| SV-9667-016-L | 16' Front Frame | | Longer front frame lengths available per request |

Air Lock Upgrade:

Converts standard manual release locks to an air operated remote release multi-position lock assembly. This means your lift will lock in positions throughout the stroke rather than just at full stroke as with manual style locks. **To upgrade order SV-56-L**

Power Spot Upgrade:

Not available on this model.

Tank Upgrade:

Your choice of three upgrades. Add fiberglass coating or go to a top pipe style tank. Fiberglass coating protects your component from corrosion. Top pipe style tanks give installers easy access to fittings and helps periodic inspection.

| SVI Upgrade Number | Description |
|--------------------|--|
| SV-9804-1-L | Add Fiberglass Coating to the Standard Tank |
| SV-9804-2-L | Change the Standard Tank to a Top Pipe Tank |
| SV-9804-3-L | Add Fiberglass Coating and Change the Standard Tank to a Top Pipe Tank |

Fiberglass Upgrade:

Fiberglass coat your cylinder components for added protection.

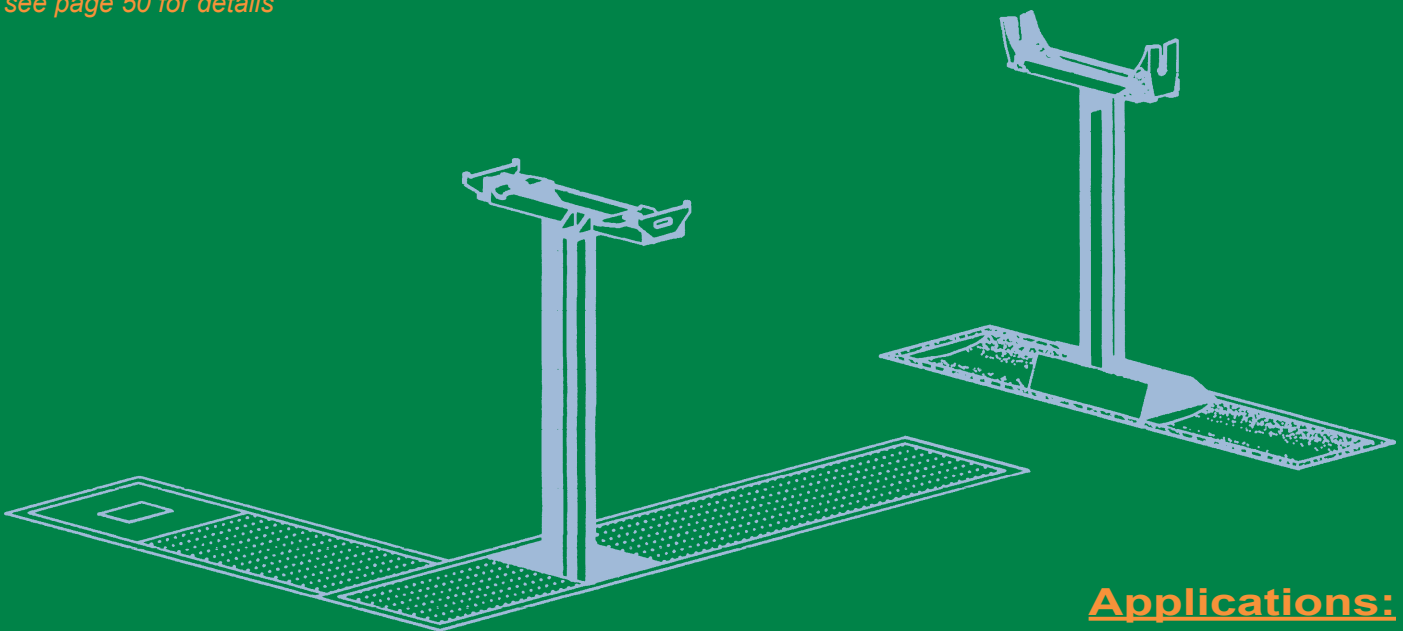
| SVI Upgrade Number | Description |
|--------------------|---|
| SV-9667-32FFG-L | Add Fiberglass Coating to the Front Cylinder Assembly |
| SV-9667-32DFG-L | Add Fiberglass Coating to the Rear Cylinder Assembly |



2P-106*

- Lift Capacity @ 250 psi 36,000 lbs., 18,000 front & 18,000 rear
- Lift capacity: @ 350 psi 50,000 lbs., 25,000 front & 25,000 rear
- Single moveable front and single stationary rear
- Axle engaging
- Adjustable front cylinder for various wheelbase lengths
- Electric/Hydraulic Oil Operated
- Post diameters: 10-5/8" front & rear
- Displacement: 50 gallons
- Raised vehicle contact height above floor: 67" front & 69-3/4" rear based on standard adapters
- Multiple lip seal seal design for increased performance

* Requires a power unit
see page 50 for details



Applications:

Truck Dealerships

School Buses

Municipal Garages

or wherever heavy-duty vehicle lifting is required

Power Post Lifting Systems

fastest, most reliable
and economical
method for lifting



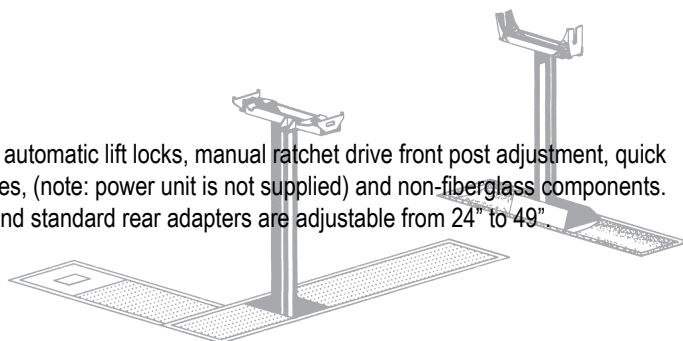
standards & options next page

Proven Lifting Technology

Specifications and Options

2P-106 Standard Equipment:

12 foot front frame (non-recessed), manual waist height release automatic lift locks, manual ratchet drive front post adjustment, quick adapter spotting devices, floor level dead-man style control valves. (note: power unit is not supplied) and non-fiberglass components. Standard front adapters adjust from 40-1/2" to 57-1/2" in width and standard rear adapters are adjustable from 24" to 49"



Your Easy Upgrade Options:

Front Frame Upgrades:

Additional front frame length for accommodating longer vehicle wheelbase lengths.

| SVI Upgrade Number | Description | SVI Upgrade Number | Description |
|--------------------|-----------------|--------------------|--|
| SV-9667-013-L | 13' Front Frame | SV-9667-017-L | 17' Front Frame |
| SV-9667-014-L | 14' Front Frame | SV-9667-018-L | 18' Front Frame |
| SV-9667-015-L | 15' Front Frame | | |
| SV-9667-016-L | 16' Front Frame | | Longer front frame lengths available per request |

Air Lock Upgrade:

Converts standard manual release locks to an air operated remote release multi-position lock assembly. This means your lift will lock in positions throughout the stroke rather than just at full stroke as with manual style locks. **To upgrade order SV-56-L**

Power Spot Upgrade:

Converts adjustment of front cylinder position from a manual ratchet system to an easy to operate hydraulic drive system. This means easy work for the lift operator when changing the lift to accommodate different wheelbase vehicles. **To upgrade order SV-32-L**

Fiberglass Upgrade:

Fiberglass coat your cylinder components for added protection.

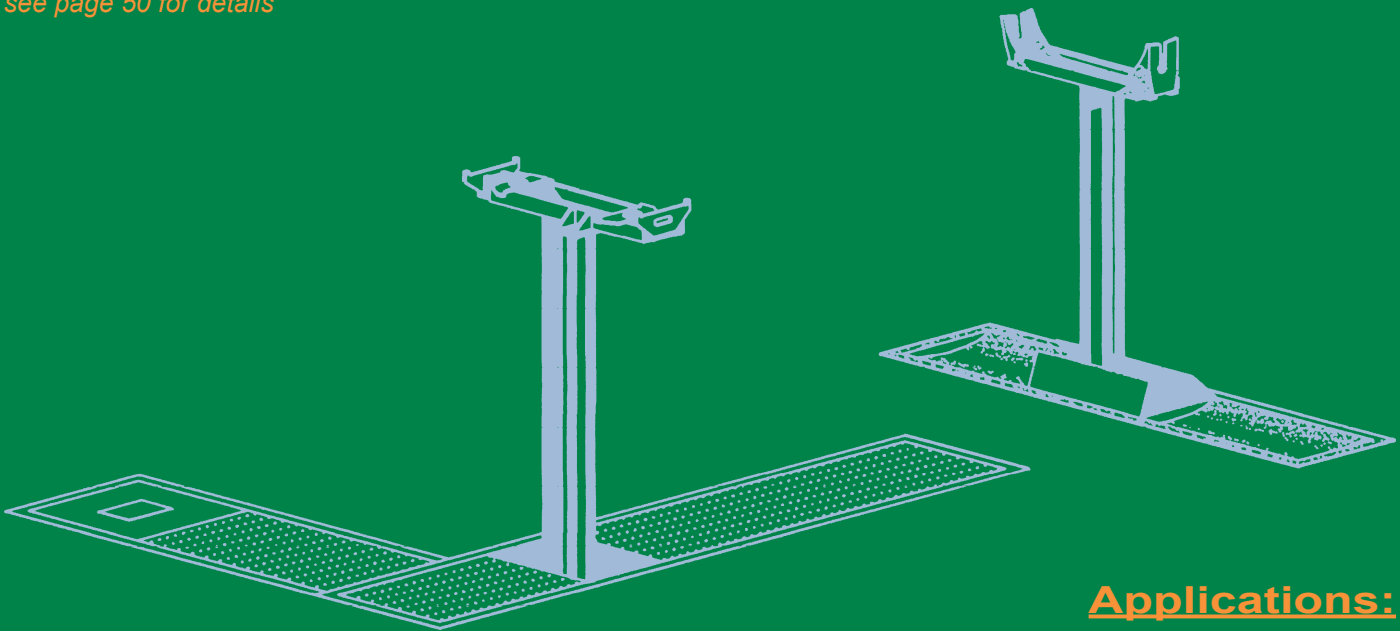
| SVI Upgrade Number | Description |
|--------------------|---|
| SV-9667-32FFG-L | Add Fiberglass Coating to the Front Cylinder Assembly |
| SV-9667-32FG-L | Add Fiberglass Coating to the Rear Cylinder Assembly |



2P-106-M*

- Lift capacity: @ 250 psi 36,000 lbs., 18,000 front & 18,000 rear
- Lift capacity: @ 350 psi 50,000 lbs., 25,000 front & 25,000 rear
- Single moveable front and single stationary rear
- Axle engaging with modified narrow range rear saddle
- Adjustable front cylinder for various wheelbase lengths
- Electric/Hydraulic Oil Operated
- Post diameters: 10-5/8" front & rear
- Displacement: 50 gallons
- Raised vehicle contact height above floor: 67" front & 69-3/4" rear based on standard adapters
- Multiple lip seal seal design for increased performance

* Requires a power unit
see page 50 for details



Applications:

Truck Dealerships

School Buses

Municipal Garages

or wherever heavy-duty vehicle lifting is required

Power Post Lifting Systems

fastest, most reliable
and economical
method for lifting



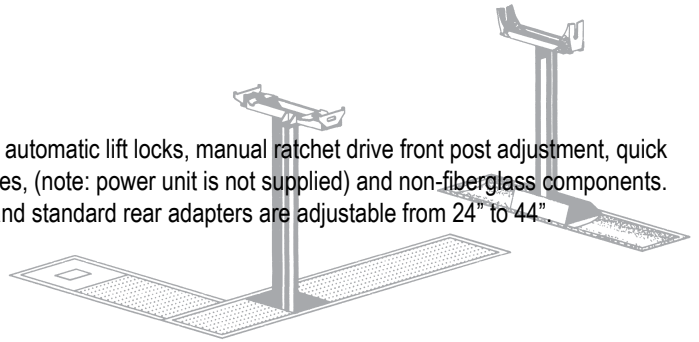
standards & options next page

Proven Lifting Technology

Specifications and Options

2P-106-M Standard Equipment:

12 foot front frame (non-recessed), manual waist height release automatic lift locks, manual ratchet drive front post adjustment, quick adapter spotting devices, floor level dead-man style control valves. (note: power unit is not supplied) and non-fiberglass components. Standard front adapters adjust from 40-1/2" to 57-1/2" in width and standard rear adapters are adjustable from 24" to 44"



Your Easy Upgrade Options:

Front Frame Upgrades:

Additional front frame length for accommodating longer vehicle wheelbase lengths.

| SVI Upgrade Number | Description | SVI Upgrade Number | Description |
|--------------------|-----------------|--------------------|--|
| SV-9667-013-L | 13' Front Frame | SV-9667-017-L | 17' Front Frame |
| SV-9667-014-L | 14' Front Frame | SV-9667-018-L | 18' Front Frame |
| SV-9667-015-L | 15' Front Frame | | |
| SV-9667-016-L | 16' Front Frame | | Longer front frame lengths available per request |

Air Lock Upgrade:

Converts standard manual release locks to an air operated remote release multi-position lock assembly. This means your lift will lock in positions throughout the stroke rather than just at full stroke as with manual style locks. **To upgrade order SV-56-L**

Power Spot Upgrade:

Converts adjustment of front cylinder position from a manual ratchet system to an easy to operate hydraulic drive system. This means easy work for the lift operator when changing the lift to accommodate different wheelbase vehicles. **To upgrade order SV-32-L**

Fiberglass Upgrade:

Fiberglass coat your cylinder components for added protection.

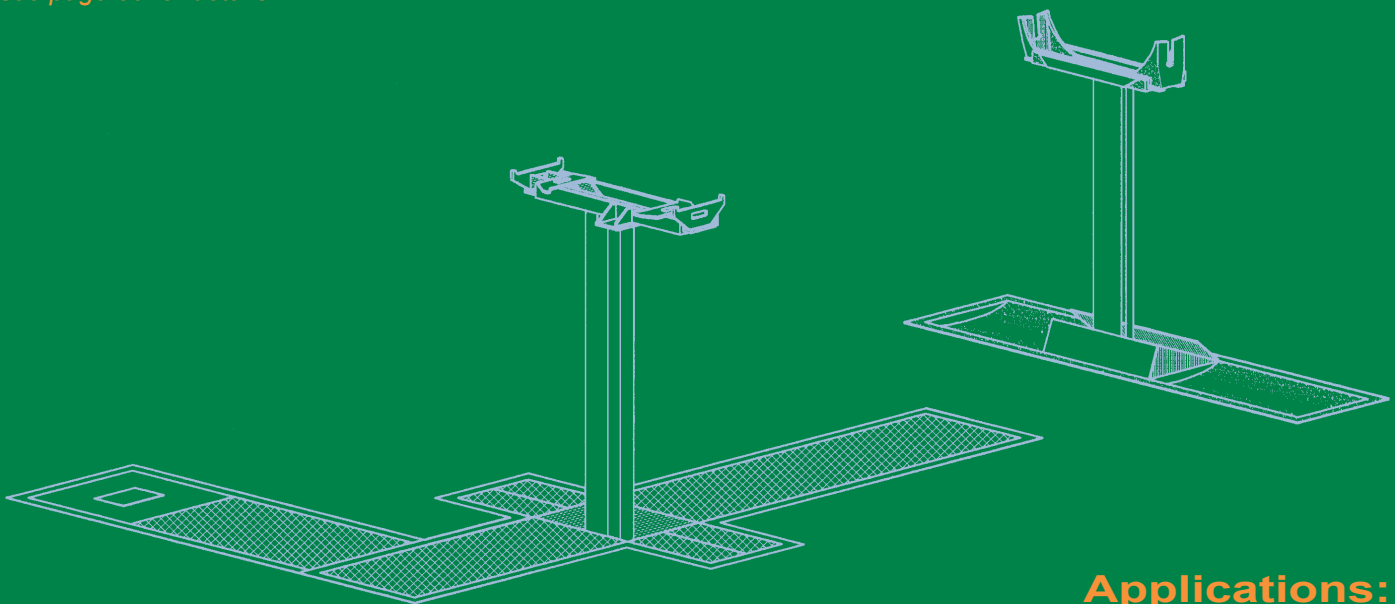
| SVI Upgrade Number | Description |
|--------------------|---|
| SV-9667-32FFG-L | Add Fiberglass Coating to the Front Cylinder Assembly |
| SV-9667-32FG-L | Add Fiberglass Coating to the Rear Cylinder Assembly |



2P-106-RF*

- Lift Capacity @ 250 psi 36,000 lbs., 18,000 front & 18,000 rear
- Lift capacity: @ 350 psi 50,000 lbs., 25,000 front & 25,000 rear
- Single moveable recessed front and single stationary rear
- Axle engaging
- Adjustable front cylinder for various wheelbase lengths
- Electric/Hydraulic Oil Operated
- Post diameters: 10-5/8" front & rear
- Displacement: 50 gallons
- Raised vehicle contact height above floor: 67" front & 69-3/4" rear based on standard adapters
- Multiple lip seal seal design for increased performance

* Requires a power unit
see page 50 for details



Applications:

Truck Dealerships

School Buses

Municipal Garages

or wherever heavy-duty vehicle lifting is required

Power Post Lifting Systems

fastest, most reliable
and economical
method for lifting



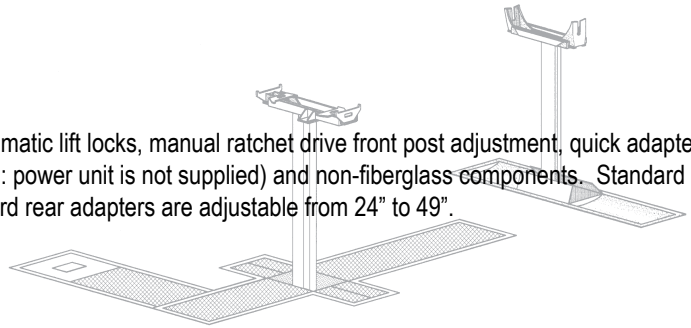
standards & options next page

Proven Lifting Technology

Specifications and Options

2P-106-RF Standard Equipment:

12 foot front frame (recessed), manual waist height release automatic lift locks, manual ratchet drive front post adjustment, quick adapter spotting devices, floor level dead-man style control valves, (note: power unit is not supplied) and non-fiberglass components. Standard front adapters adjust from 40-1/2" to 57-1/2" in width and standard rear adapters are adjustable from 24" to 49".



Your Easy Upgrade Options:

Front Frame Upgrades:

Additional front frame length for accommodating longer vehicle wheelbase lengths.

| SVI Upgrade Number | Description | SVI Upgrade Number | Description |
|--------------------|-----------------|--------------------|--|
| SV-9667-013-LR | 13' Front Frame | SV-9667-017-LR | 17' Front Frame |
| SV-9667-014-LR | 14' Front Frame | SV-9667-018-LR | 18' Front Frame |
| SV-9667-015-LR | 15' Front Frame | | |
| SV-9667-016-LR | 16' Front Frame | | Longer front frame lengths available per request |

Air Lock Upgrade:

Converts standard manual release locks to an air operated remote release multi-position lock assembly. This means your lift will lock in positions throughout the stroke rather than just at full stroke as with manual style locks. **To upgrade order SV-56-L**

Power Spot Upgrade:

Converts adjustment of front cylinder position from a manual ratchet system to an easy to operate hydraulic drive system. This means easy work for the lift operator when changing the lift to accommodate different wheelbase vehicles. **To upgrade order SV-32-L-RF**

Fiberglass Upgrade:

Fiberglass coat your cylinder components for added protection.

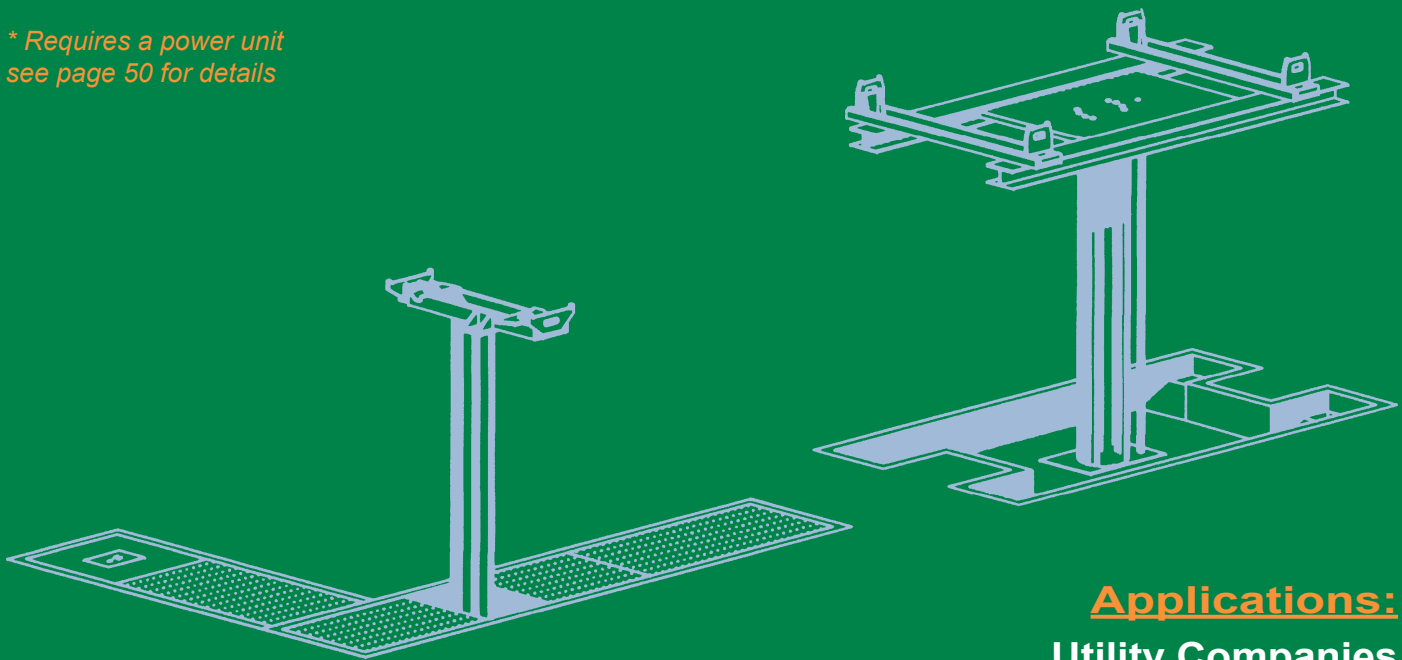
| SVI Upgrade Number | Description |
|--------------------|---|
| SV-9667-32FFG-L | Add Fiberglass Coating to the Front Cylinder Assembly |
| SV-9667-32FG-L | Add Fiberglass Coating to the Rear Cylinder Assembly |



2P-106-IB*

- Lift capacity: @ 250 psi 36,000 lbs., 18,000 front & 18,000 rear
- Lift capacity: @ 350 psi 50,000 lbs., 25,000 front & 25,000 rear
- Axle engaging front saddle and adapters. I-Beam style rear superstructure equipped with adjustable saddles and adapters to engage vehicle axles, suspension or cross frame member.
- Adjustable front cylinder for various wheelbase lengths
- Electric/Hydraulic Oil Operated
- Post diameters: 10-5/8" front & rear
- Displacement: 50 gallons
- Raised vehicle contact height above floor: 67" front & 69-3/4" rear based on standard adapters
- Multiple lip seal seal design for increased performance

* Requires a power unit
see page 50 for details



Applications:

Utility Companies

Fleet Service Facilities

Municipal Garages

or wherever heavy-duty vehicle lifting is required

Power Post Lifting Systems

fastest, most reliable
and economical
method for lifting



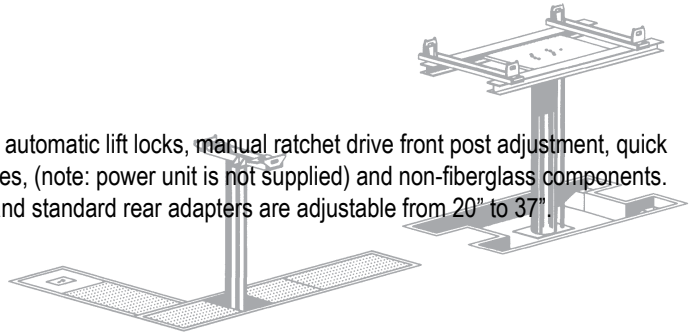
standards & options next page

Proven Lifting Technology

Specifications and Options

2P-106-IB Standard Equipment:

12 foot front frame (non-recessed), manual waist height release automatic lift locks, manual ratchet drive front post adjustment, quick adapter spotting devices, floor level dead-man style control valves. (note: power unit is not supplied) and non-fiberglass components. Standard front adapters adjust from 40-1/2" to 57-1/2" in width and standard rear adapters are adjustable from 20" to 37"



Your Easy Upgrade Options:

Front Frame Upgrades:

Additional front frame length for accommodating longer vehicle wheelbase lengths.

| SVI Upgrade Number | Description | SVI Upgrade Number | Description |
|--------------------|-----------------|--------------------|--|
| SV-9667-013-L | 13' Front Frame | SV-9667-017-L | 17' Front Frame |
| SV-9667-014-L | 14' Front Frame | SV-9667-018-L | 18' Front Frame |
| SV-9667-015-L | 15' Front Frame | | |
| SV-9667-016-L | 16' Front Frame | | Longer front frame lengths available per request |

Air Lock Upgrade:

Converts standard manual release locks to an air operated remote release multi-position lock assembly. This means your lift will lock in positions throughout the stroke rather than just at full stroke as with manual style locks. **To upgrade order SV-56-L**

Power Spot Upgrade:

Converts adjustment of front cylinder position from a manual ratchet system to an easy to operate hydraulic drive system. This means easy work for the lift operator when changing the lift to accommodate different wheelbase vehicles. **To upgrade order SV-32-L**

Fiberglass Upgrade:

Fiberglass coat your front cylinder component for added protection. Rear cylinders are supplied standard with fiberglass protection.

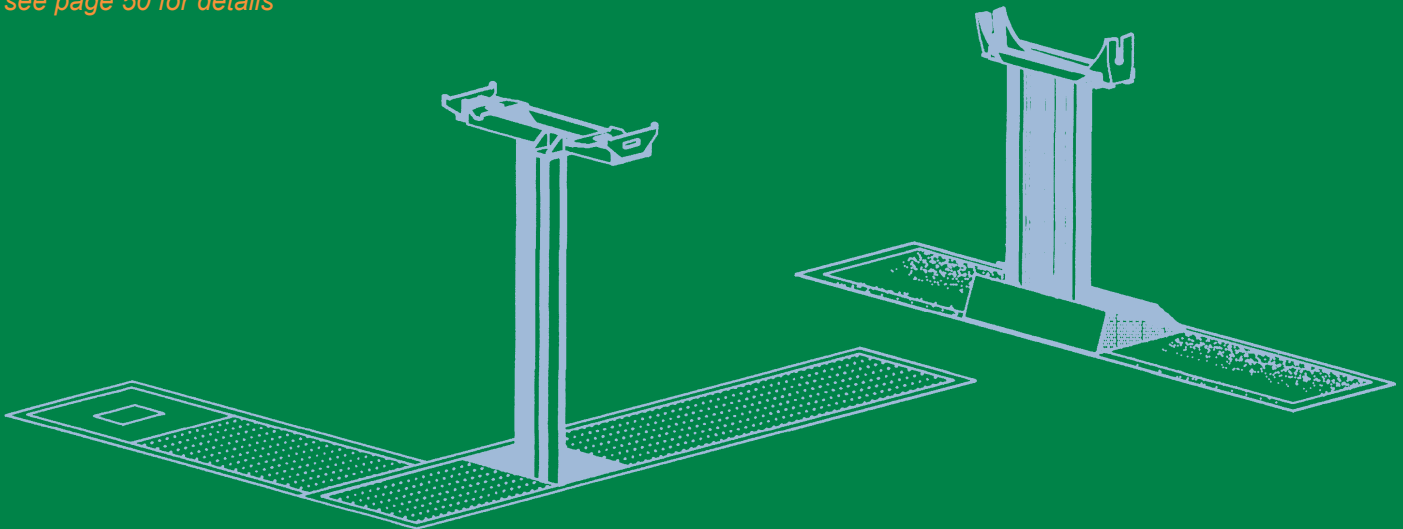
| SVI Upgrade Number | Description |
|--------------------|---|
| SV-9667-32FFG-L | Add Fiberglass Coating to the Front Cylinder Assembly |
| BH-9667-32DFG-L | Add Fiberglass Coating to the Rear Cylinder Assembly |



3P-106-DR*

- Lift capacity: @ 250 psi 54,000 lbs., 18,000 front & 36,000 rear
- Lift capacity: @ 350 psi 75,000 lbs., 25,000 front & 50,000 rear
- Single moveable front and dual stationary rear
- Axle engaging
- Adjustable front cylinder for various wheelbase lengths
- Electric/Hydraulic Oil Operated
- Post diameters: 10-5/8" front & (2) 10-5/8" rear
- Displacement: 75 gallons
- Raised vehicle contact height above floor: 67" front & 69-3/4" rear based on standard adapters
- Multiple lip seal seal design for increased performance

* Requires a power unit
see page 50 for details



Applications:

Utility Companies

Transit Authorities

Municipal Garages

or wherever heavy-duty vehicle lifting is required

Power Post Lifting Systems

fastest, most reliable
and economical
method for lifting



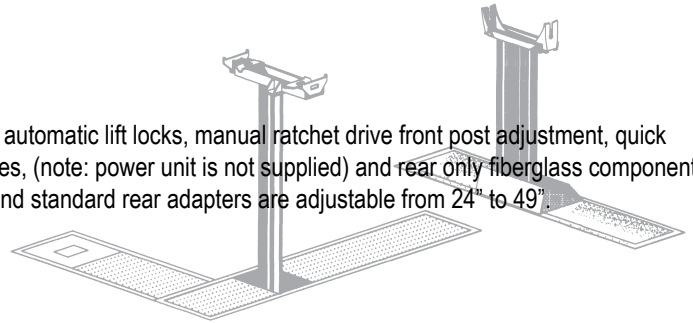
standards & options next page

Proven Lifting Technology

Specifications and Options

3P-106-DR Standard Equipment:

12 foot front frame (non-recessed), manual waist height release automatic lift locks, manual ratchet drive front post adjustment, quick adapter spotting devices, floor level dead-man style control valves, (note: power unit is not supplied) and rear only fiberglass component. Standard front adapters adjust from 40-1/2" to 57-1/2" in width and standard rear adapters are adjustable from 24" to 49".



Your Easy Upgrade Options:

Front Frame Upgrades:

Additional front frame length for accommodating longer vehicle wheelbase lengths.

| SVI Upgrade Number | Description | SVI Upgrade Number | Description |
|--------------------|-----------------|--------------------|--|
| SV-9667-013-L | 13' Front Frame | SV-9667-017-L | 17' Front Frame |
| SV-9667-014-L | 14' Front Frame | SV-9667-018-L | 18' Front Frame |
| SV-9667-015-L | 15' Front Frame | | |
| SV-9667-016-L | 16' Front Frame | | Longer front frame lengths available per request |

Air Lock Upgrade:

Converts standard manual release locks to an air operated remote release multi-position lock assembly. This means your lift will lock in positions throughout the stroke rather than just at full stroke as with manual style locks. **To upgrade order SV-56F/57-L**

Power Spot Upgrade:

Converts adjustment of front cylinder position from a manual ratchet system to an easy to operate hydraulic drive system. This means easy work for the lift operator when changing the lift to accommodate different wheelbase vehicles. **To upgrade order SV-32-L**

Fiberglass Upgrade:

Fiberglass coat your front cylinder component for added protection. Rear cylinders are supplied standard with fiberglass protection.

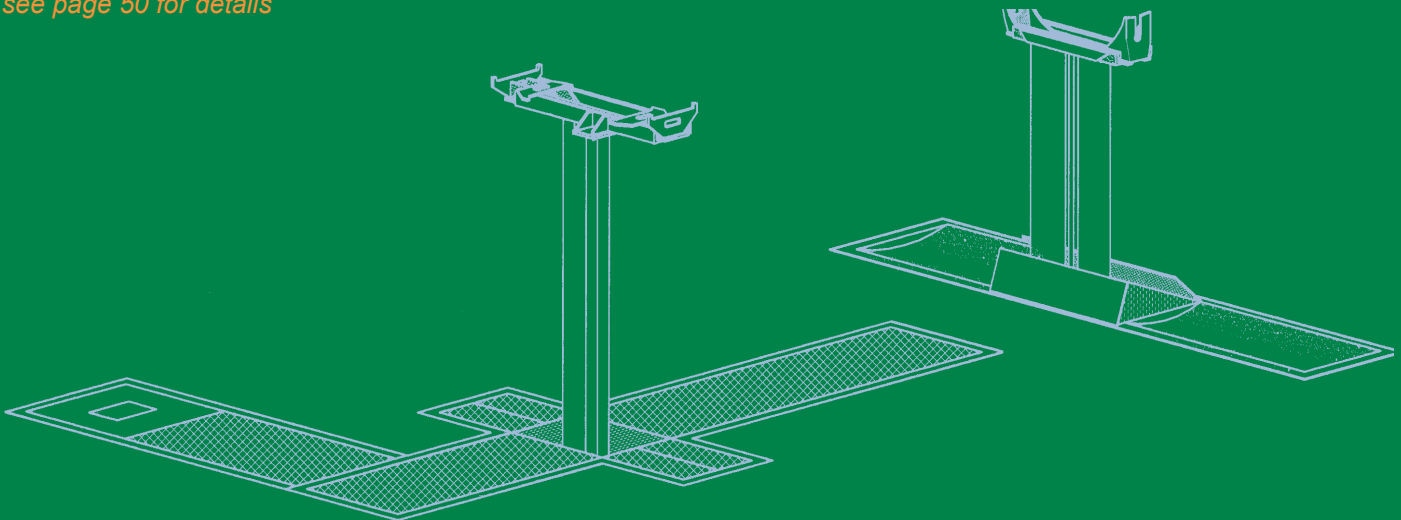
| SVI Upgrade Number | Description |
|--------------------|---|
| SV-9667-32FFG-L | Add Fiberglass Coating to the Front Cylinder Assembly |



3P-106-DR-RF*

- Lift capacity: @ 250 psi 54,000 lbs., 18,000 front & 36,000 rear
- Lift capacity: @ 350 psi 75,000 lbs., 25,000 front & 50,000 rear
- Single moveable front and dual stationary rear
- Axle engaging
- Adjustable front cylinder for various wheelbase lengths
- Electric/Hydraulic Oil Operated
- Post diameters: 10-5/8" front & (2) 10-5/8" rear
- Displacement: 75 gallons
- Raised vehicle contact height above floor: 67" front & 69-3/4" rear based on standard adapters
- Multiple lip seal seal design for increased performance

* Requires a power unit
see page 50 for details



Applications:

Utility Companies
Transit Authorities
Municipal Garages

or wherever heavy-duty vehicle lifting is required

Power Post Lifting Systems

fastest, most reliable
and economical
method for lifting



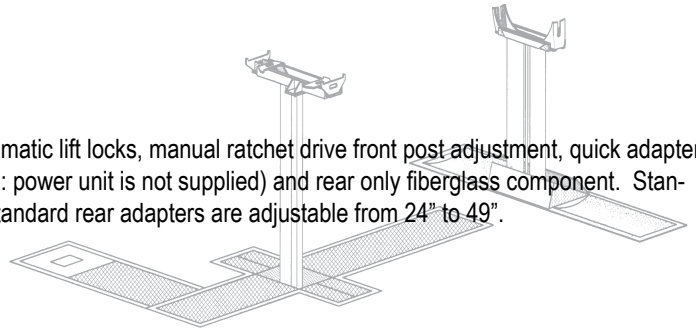
standards & options next page

Proven Lifting Technology

Specifications and Options

3P-106-DR-RF Standard Equipment:

12 foot front frame (recessed), manual waist height release automatic lift locks, manual ratchet drive front post adjustment, quick adapter spotting devices, floor level dead-man style control valves, (note: power unit is not supplied) and rear only fiberglass component. Standard front adapters adjust from 40-1/2" to 57-1/2" in width and standard rear adapters are adjustable from 24" to 49".



Your Easy Upgrade Options:

Front Frame Upgrades:

Additional front frame length for accommodating longer vehicle wheelbase lengths.

| SVI Upgrade Number | Description | SVI Upgrade Number | Description |
|--------------------|-----------------|--------------------|--|
| SV-9667-013-LR | 13' Front Frame | SV-9667-017-LR | 17' Front Frame |
| SV-9667-014-LR | 14' Front Frame | SV-9667-018-LR | 18' Front Frame |
| SV-9667-015-LR | 15' Front Frame | | |
| SV-9667-016-LR | 16' Front Frame | | Longer front frame lengths available per request |

Air Lock Upgrade:

Converts standard manual release locks to an air operated remote release multi-position lock assembly. This means your lift will lock in positions throughout the stroke rather than just at full stroke as with manual style locks. **To upgrade order SV-56F/57-L**

Power Spot Upgrade:

Converts adjustment of front cylinder position from a manual ratchet system to an easy to operate hydraulic drive system. This means easy work for the lift operator when changing the lift to accommodate different wheelbase vehicles. **To upgrade order SV-32-L-RF**

Fiberglass Upgrade:

Fiberglass coat your front cylinder component for added protection. Rear cylinders are supplied standard with fiberglass protection.

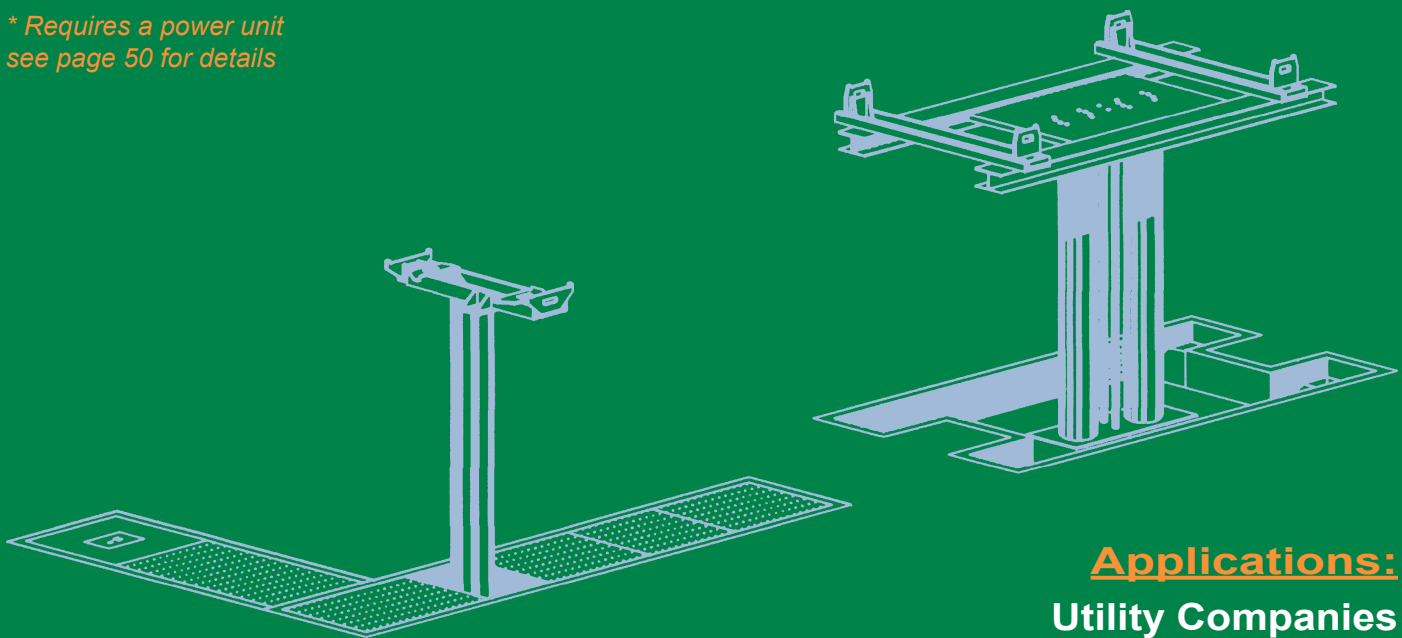
| SVI Upgrade Number | Description |
|--------------------|---|
| SV-9667-32FFG-L | Add Fiberglass Coating to the Front Cylinder Assembly |



3P-106-DR-IB*

- Lift capacity: @ 250 psi 54,000 lbs., 18,000 front & 36,000 rear
- Lift capacity: @ 350 psi 75,000 lbs., 25,000 front & 50,000 rear
- Axle engaging front saddle and adapters. I-Beam style dual rear superstructure equipped with adjustable saddles and adapters to engage vehicle axles, suspension or cross frame members.
- Adjustable front cylinder for various wheelbase lengths
- Electric/Hydraulic Oil Operated
- Post diameters: 10-5/8" front & (2) 10-5/8" rear
- Displacement: 75 gallons
- Raised vehicle contact height above floor: 67" front & 69-3/4" rear based on standard adapters
- Multiple lip seal seal design for increased performance

* Requires a power unit
see page 50 for details



Applications:

Utility Companies
Transit Authorities
Municipal Garages

or wherever heavy-duty vehicle lifting is required

Power Post Lifting Systems

fastest, most reliable
and economical
method for lifting



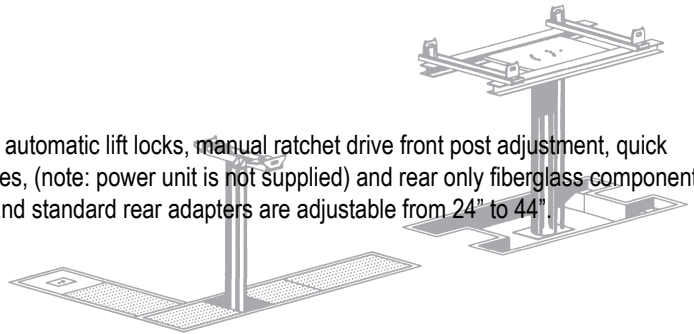
standards & options next page

Proven Lifting Technology

Specifications and Options

3P-106-DR-IB Standard Equipment:

12 foot front frame (non-recessed), manual waist height release automatic lift locks, manual ratchet drive front post adjustment, quick adapter spotting devices, floor level dead-man style control valves. (note: power unit is not supplied) and rear only fiberglass component. Standard front adapters adjust from 40-1/2" to 57-1/2" in width and standard rear adapters are adjustable from 24" to 44"



Your Easy Upgrade Options:

Front Frame Upgrades:

Additional front frame length for accommodating longer vehicle wheelbase lengths.

| SVI Upgrade Number | Description | SVI Upgrade Number | Description |
|--------------------|-----------------|--------------------|--|
| SV-9667-013-L | 13' Front Frame | SV-9667-017-L | 17' Front Frame |
| SV-9667-014-L | 14' Front Frame | SV-9667-018-L | 18' Front Frame |
| SV-9667-015-L | 15' Front Frame | | |
| SV-9667-016-L | 16' Front Frame | | Longer front frame lengths available per request |

Air Lock Upgrade:

Converts standard manual release locks to an air operated remote release multi-position lock assembly. This means your lift will lock in positions throughout the stroke rather than just at full stroke as with manual style locks. **To upgrade order SV-56F/57-L**

Power Spot Upgrade:

Converts adjustment of front cylinder position from a manual ratchet system to an easy to operate hydraulic drive system. This means easy work for the lift operator when changing the lift to accommodate different wheelbase vehicles. **To upgrade order SV-32-L**

Fiberglass Upgrade:

Fiberglass coat your front cylinder component for added protection. Rear cylinders are supplied standard with fiberglass protection.

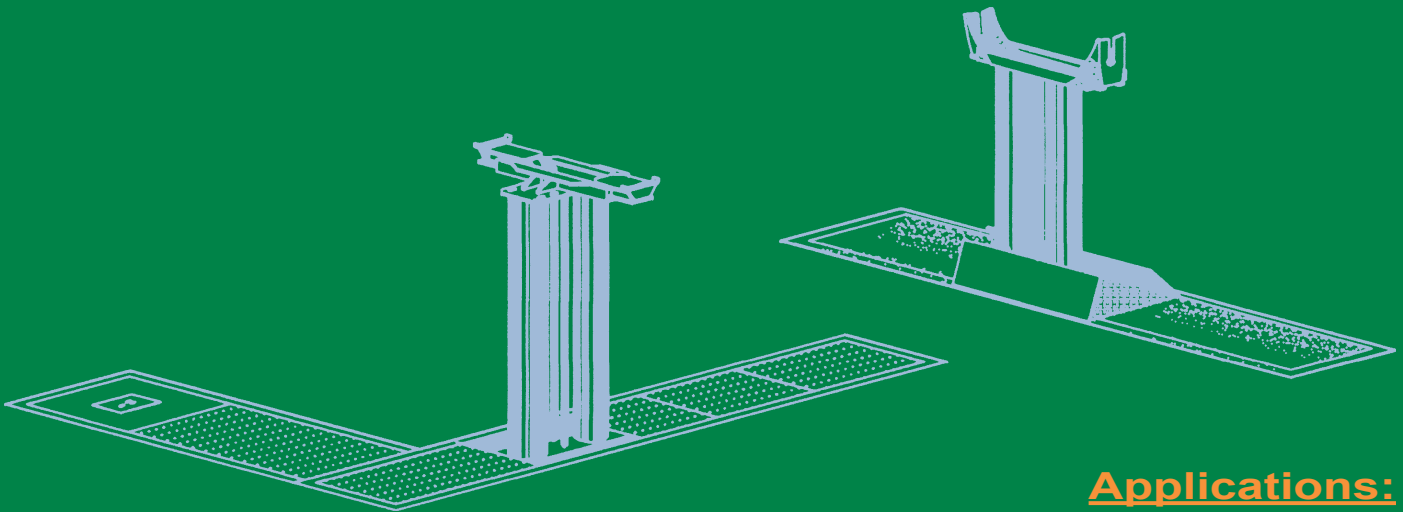
| SVI Upgrade Number | Description |
|--------------------|---|
| SV-9667-32FFG-L | Add Fiberglass Coating to the Front Cylinder Assembly |



4P-106*

- Lift capacity: @ 250 psi 72,000 lbs., 36,000 front & 36,000 rear
- Lift capacity: @ 350 psi 100,000 lbs., 50,000 front & 50,000 rear
- dual moveable front and dual stationary rear
- Axle engaging
- Adjustable front cylinder for various wheelbase lengths
- Electric/Hydraulic Oil Operated
- Post diameters: (2) 10-5/8" front & (2) 10-5/8" rear
- Displacement: 100 gallons
- Raised vehicle contact height above floor: 67" front & 69-3/4" rear based on standard adapters
- Multiple lip seal seal design for increased performance

* Requires a power unit
see page 50 for details



Applications:

Airports

Fire Departments

Utility Companies

Transit Authorities

Municipal Garages

or wherever heavy-duty vehicle lifting is required

Power Post Lifting Systems

fastest, most reliable
and economical
method for lifting



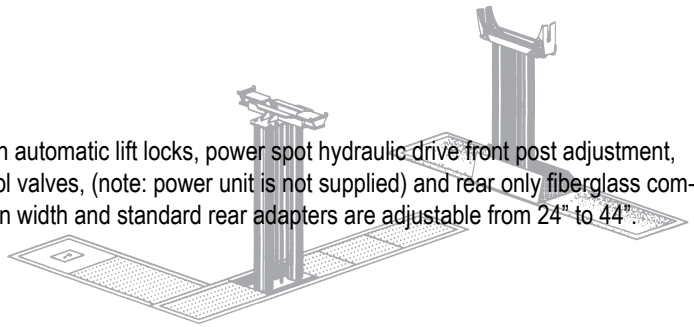
standards & options next page

Proven Lifting Technology

Specifications and Options

4P-106 Standard Equipment:

12 foot front frame (non-recessed), remote release multi-position automatic lift locks, power spot hydraulic drive front post adjustment, quick adapter spotting devices, floor level dead-man style control valves, (note: power unit is not supplied) and rear only fiberglass component. Standard front adapters adjust from 40-1/2" to 57-1/2" in width and standard rear adapters are adjustable from 24" to 44".



Your Easy Upgrade Options:

Front Frame Upgrades:

Additional front frame length for accommodating longer vehicle wheelbase lengths.

| SVI Upgrade Number | Description | SVI Upgrade Number | Description |
|--------------------|-----------------|--------------------|--|
| SV-9667-013-L | 13' Front Frame | SV-9667-017-L | 17' Front Frame |
| SV-9667-014-L | 14' Front Frame | SV-9667-018-L | 18' Front Frame |
| SV-9667-015-L | 15' Front Frame | | |
| SV-9667-016-L | 16' Front Frame | | Longer front frame lengths available per request |

Air Lock Upgrade:

Standard equipment

Power Spot Upgrade:

Standard equipment

Fiberglass Upgrade:

Fiberglass coat your front cylinder component for added protection. Rear cylinders are supplied standard with fiberglass protection.

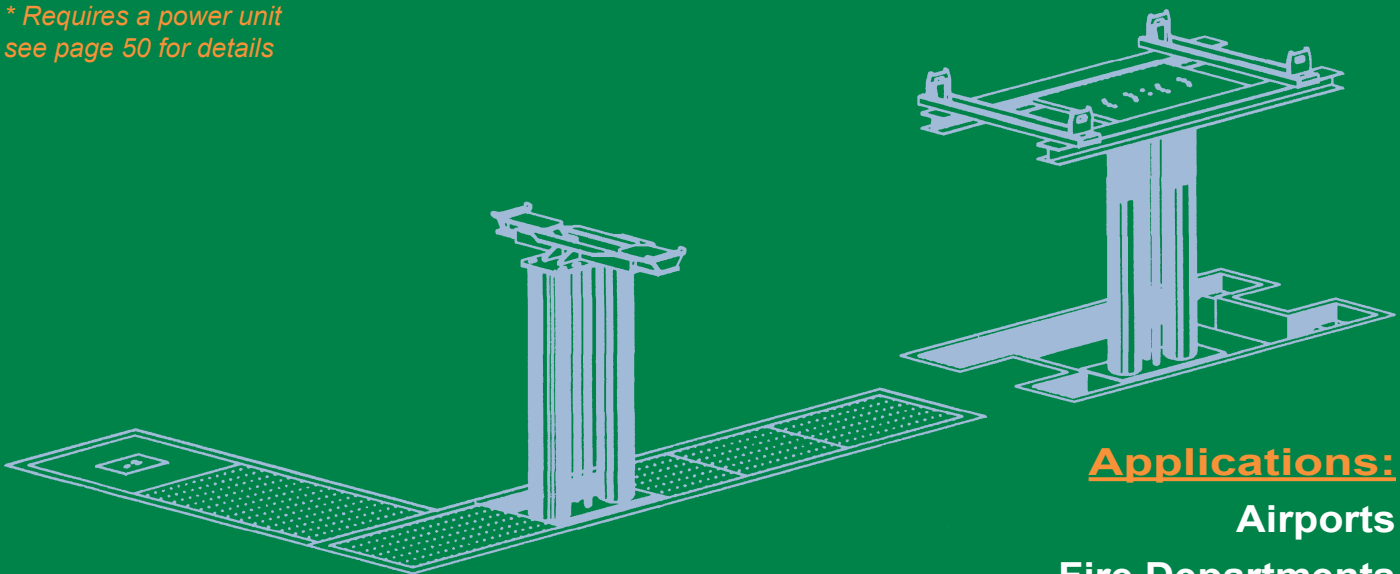
| SVI Upgrade Number | Description |
|--------------------|---|
| SV-9674-85FG-L | Add Fiberglass Coating to the Front Cylinder Assembly |



4P-106-IB*

- Lift capacity: @ 250 psi 72,000 lbs., 36,000 front & 36,000 rear
- Lift capacity: @ 350 psi 100,000 lbs., 50,000 front & 50,000 rear
- Axle engaging front saddle and adapters. I-Beam style rear superstructure equipped with adjustable saddles and adapters to engage vehicle axles, suspension or cross frame member.
- Adjustable front cylinder for various wheelbase lengths
- Electric/Hydraulic Oil Operated
- Post diameters: (2) 10-5/8" front & (2) 10-5/8" rear
- Displacement: 100 gallons
- Raised vehicle contact height above floor: 67" front & 69-3/4" rear based on standard adapters
- Multiple lip seal seal design for increased performance

* Requires a power unit
see page 50 for details



Applications:

Airports
Fire Departments
Utility Companies
Transit Authorities
Municipal Garages
or wherever heavy-duty vehicle lifting is required

Power Post Lifting Systems

fastest, most reliable
and economical
method for lifting



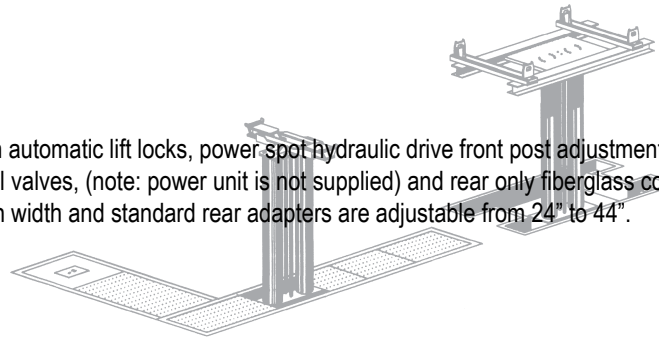
standards & options next page

Proven Lifting Technology

Specifications and Options

4P-106-IB Standard Equipment:

12 foot front frame (non-recessed), remote release multi-position automatic lift locks, power spot hydraulic drive front post adjustment, quick adapter spotting devices, floor level dead-man style control valves, (note: power unit is not supplied) and rear only fiberglass component. Standard front adapters adjust from 40-1/2" to 57-1/2" in width and standard rear adapters are adjustable from 24" to 44".



Your Easy Upgrade Options:

Front Frame Upgrades:

Additional front frame length for accommodating longer vehicle wheelbase lengths.

| SVI Upgrade Number | Description | SVI Upgrade Number | Description |
|--------------------|-----------------|--------------------|--|
| SV-9667-013-L | 13' Front Frame | SV-9667-017-L | 17' Front Frame |
| SV-9667-014-L | 14' Front Frame | SV-9667-018-L | 18' Front Frame |
| SV-9667-015-L | 15' Front Frame | | |
| SV-9667-016-L | 16' Front Frame | | Longer front frame lengths available per request |

Air Lock Upgrade:

Standard equipment

Power Spot Upgrade:

Standard equipment

Fiberglass Upgrade:

Fiberglass coat your front cylinder component for added protection. Rear cylinders are supplied standard with fiberglass protection.

| SVI Upgrade Number | Description |
|--------------------|---|
| SV-9674-85FG-L | Add Fiberglass Coating to the Front Cylinder Assembly |

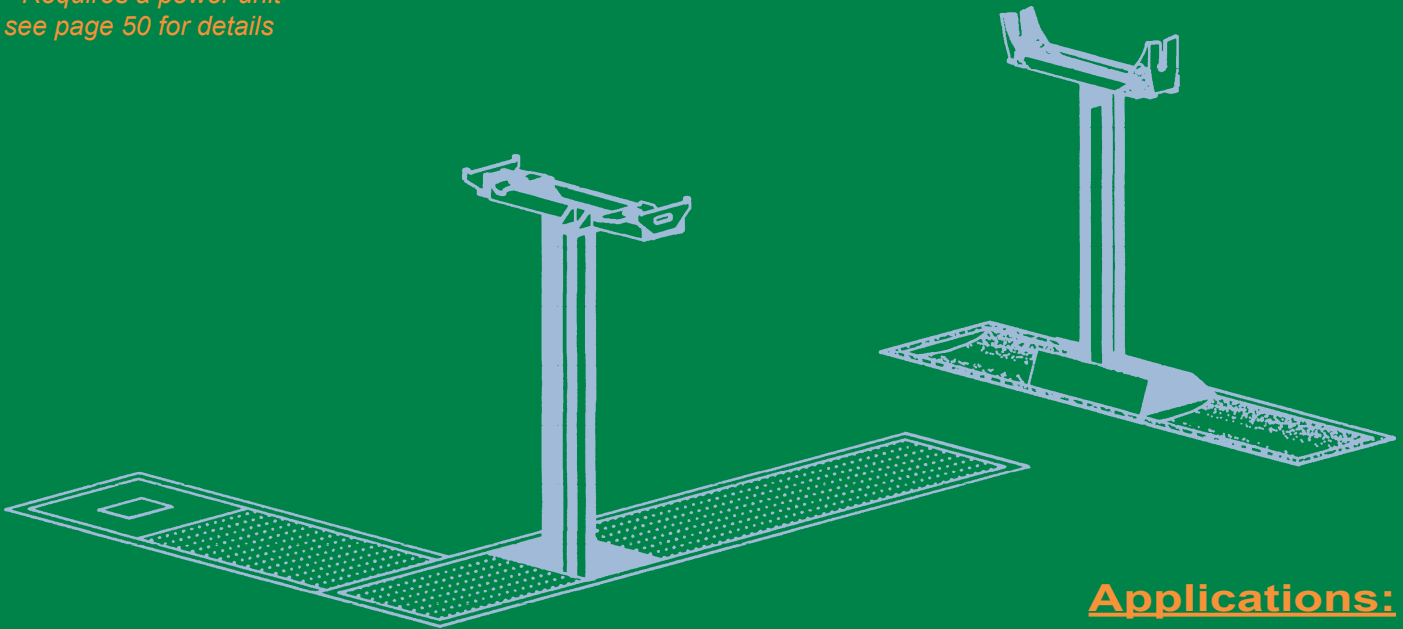


Proven Lifting Solutions

2P-1012*

- Lift capacity: @ 250 psi 43,000 lbs., 18,000 front & 25,000 rear
- Lift capacity: @ 350 psi 60,000 lbs., 25,000 front & 35,000 rear
- Single moveable front and single stationary rear
- Axle engaging
- Adjustable front cylinder for various wheelbase lengths
- Electric/Hydraulic Oil Operated
- Post diameters: 10-5/8" front & 12-5/8" rear
- Displacement: 63 gallons
- Raised vehicle contact height above floor: 67" front & 69-3/4" rear based on standard adapters
- Multiple lip seal design for increased performance

* Requires a power unit
see page 50 for details



Applications:

Utility Companies
Transit Authorities
Municipal Garages

or wherever heavy-duty vehicle lifting is required

Power Post Lifting Systems

fastest, most reliable
and economical
method for lifting



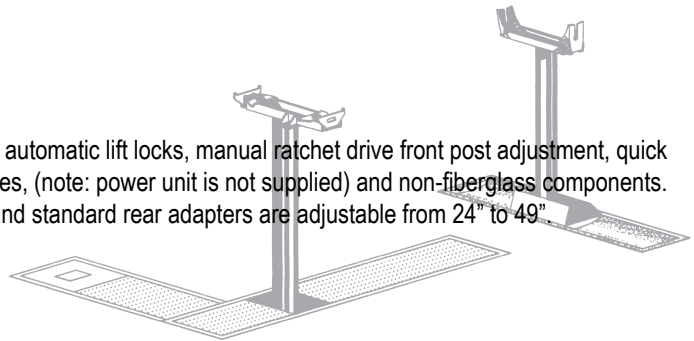
standards & options next page

Proven Lifting Technology

Specifications and Options

2P-1012 Standard Equipment:

12 foot front frame (non-recessed), manual waist height release automatic lift locks, manual ratchet drive front post adjustment, quick adapter spotting devices, floor level dead-man style control valves. (note: power unit is not supplied) and non-fiberglass components. Standard front adapters adjust from 40-1/2" to 57-1/2" in width and standard rear adapters are adjustable from 24" to 49"



Your Easy Upgrade Options:

Front Frame Upgrades:

Additional front frame length for accommodating longer vehicle wheelbase lengths.

| SVI Upgrade Number | Description | SVI Upgrade Number | Description |
|--------------------|-----------------|--------------------|--|
| SV-9667-013-L | 13' Front Frame | SV-9667-017-L | 17' Front Frame |
| SV-9667-014-L | 14' Front Frame | SV-9667-018-L | 18' Front Frame |
| SV-9667-015-L | 15' Front Frame | | |
| SV-9667-016-L | 16' Front Frame | | Longer front frame lengths available per request |

Air Lock Upgrade:

Converts standard manual release locks to an air operated remote release multi-position lock assembly. This means your lift will lock in positions throughout the stroke rather than just at full stroke as with manual style locks. **To upgrade order SV-56F/06C-L**

Power Spot Upgrade:

Converts adjustment of front cylinder position from a manual ratchet system to an easy to operate hydraulic drive system. This means easy work for the lift operator when changing the lift to accommodate different wheelbase vehicles. **To upgrade order SV-32-L**

Fiberglass Upgrade:

Fiberglass coat your cylinder components for added protection.

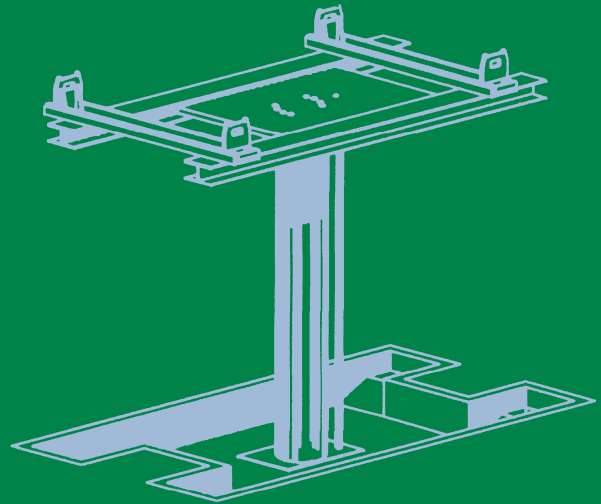
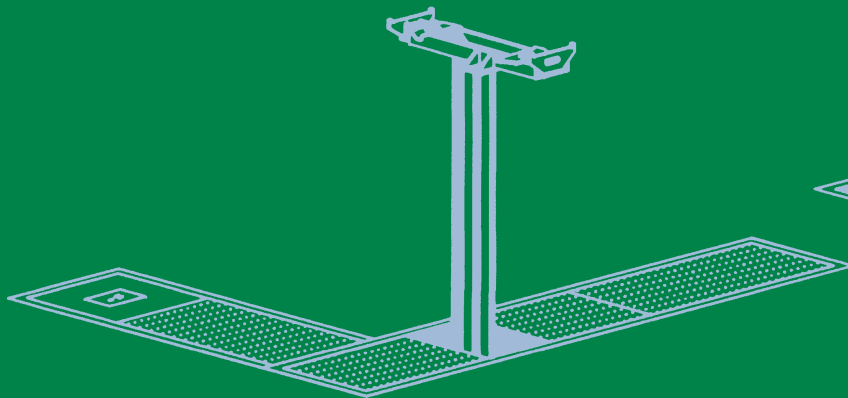
| SVI Upgrade Number | Description |
|--------------------|---|
| SV-9667-32FFG-L | Add Fiberglass Coating to the Front Cylinder Assembly |
| SV-9673-012FG-L | Add Fiberglass Coating to the Rear Cylinder Assembly |



2P-1012-IB*

- Lift capacity: @ 250 psi 43,000 lbs., 18,000 front & 25,000 rear
- Lift capacity: @ 350 psi 60,000 lbs., 25,000 front & 35,000 rear
- Single moveable front and single stationary rear
- Axle engaging front saddle and adapters. I-Beam style rear superstructure equipped with adjustable saddles and adapters to engage vehicle axles, suspension or cross frame member.
- Adjustable front cylinder for various wheelbase lengths
- Electric/Hydraulic Oil Operated
- Post diameters: 10-5/8" front & 12-5/8" rear
- Displacement: 63 gallons
- Raised vehicle contact height above floor: 67" front & 69-3/4" rear based on standard adapters
- Multiple lip seal seal design for increased performance

* Requires a power unit
see page 50 for details



Applications:

Utility Companies
Transit Authorities
Municipal Garages

or wherever heavy-duty vehicle lifting is required

Power Post Lifting Systems

fastest, most reliable
and economical
method for lifting



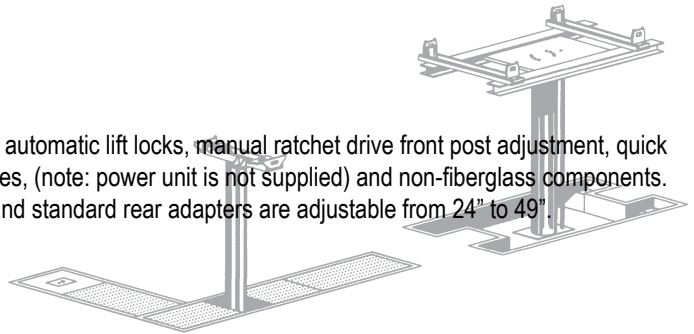
standards & options next page

Proven Lifting Technology

Specifications and Options

2P-1012IB Standard Equipment:

12 foot front frame (non-recessed), manual waist height release automatic lift locks, manual ratchet drive front post adjustment, quick adapter spotting devices, floor level dead-man style control valves. (note: power unit is not supplied) and non-fiberglass components. Standard front adapters adjust from 40-1/2" to 57-1/2" in width and standard rear adapters are adjustable from 24" to 49".



Your Easy Upgrade Options:

Front Frame Upgrades:

Additional front frame length for accommodating longer vehicle wheelbase lengths.

| SVI Upgrade Number | Description | SVI Upgrade Number | Description |
|--------------------|-----------------|--------------------|--|
| SV-9667-013-L | 13' Front Frame | SV-9667-017-L | 17' Front Frame |
| SV-9667-014-L | 14' Front Frame | SV-9667-018-L | 18' Front Frame |
| SV-9667-015-L | 15' Front Frame | | |
| SV-9667-016-L | 16' Front Frame | | Longer front frame lengths available per request |

Air Lock Upgrade:

Converts standard manual release locks to an air operated remote release multi-position lock assembly. This means your lift will lock in positions throughout the stroke rather than just at full stroke as with manual style locks. **To upgrade order SV-56F/06C-L**

Power Spot Upgrade:

Converts adjustment of front cylinder position from a manual ratchet system to an easy to operate hydraulic drive system. This means easy work for the lift operator when changing the lift to accommodate different wheelbase vehicles. **To upgrade order SV-32-L**

Fiberglass Upgrade:

Fiberglass coat your cylinder components for added protection.

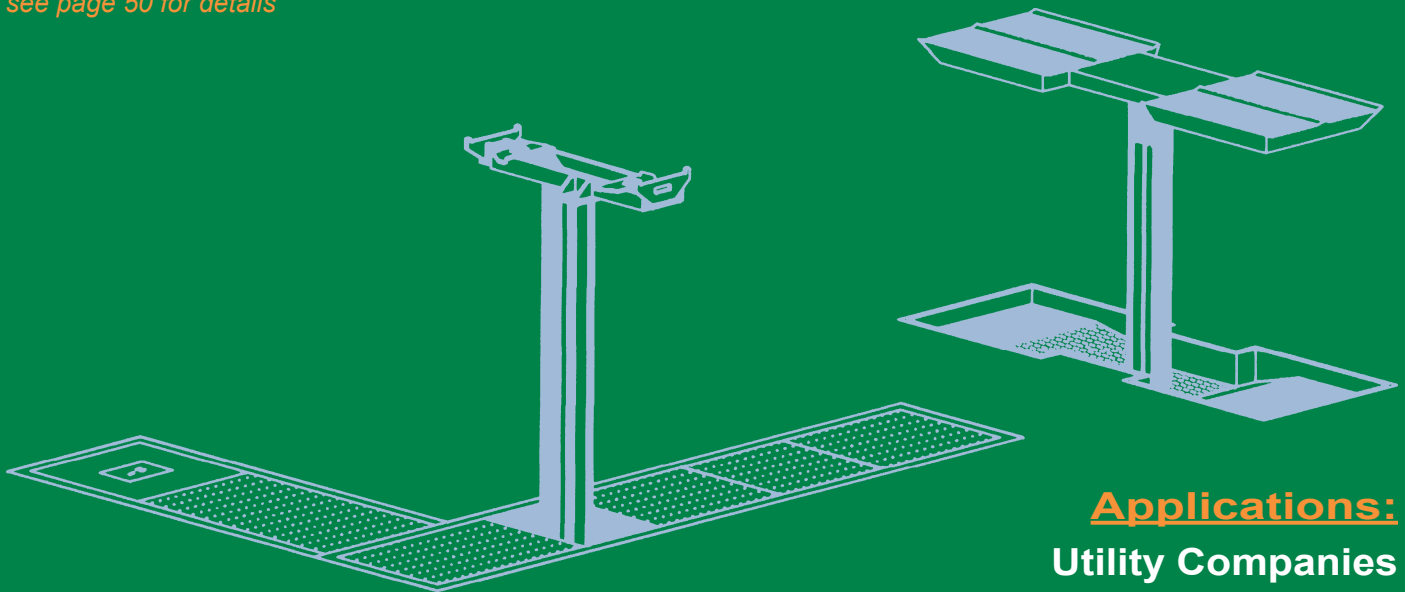
| SVI Upgrade Number | Description |
|--------------------|---|
| SV-9667-32FFG-L | Add Fiberglass Coating to the Front Cylinder Assembly |
| SV-9673-012FG-L | Add Fiberglass Coating to the Rear Cylinder Assembly |



2P-1012-DDWS*

- Lift capacity: @ 250 psi 43,000 lbs., 18,000 front & 25,000 rear
- Lift capacity: @ 350 psi 60,000 lbs., 25,000 front & 35,000 rear
- Single moveable front and single stationary rear
- Axle engaging front saddle and adapters and dual dish rear wheel support.
- Adjustable front cylinder for various wheelbase lengths
- Electric/Hydraulic Oil Operated
- Post diameters: 10-5/8" front & 12-5/8" rear
- Displacement: 63 gallons
- Raised vehicle contact height above floor: 67" front & 69-3/4" rear based on standard adapters
- Multiple lip seal seal design for increased performance

* Requires a power unit
see page 50 for details



Applications:

Utility Companies

Transit Authorities

Municipal Garages

or wherever heavy-duty vehicle lifting is required

Power Post Lifting Systems

fastest, most reliable
and economical
method for lifting



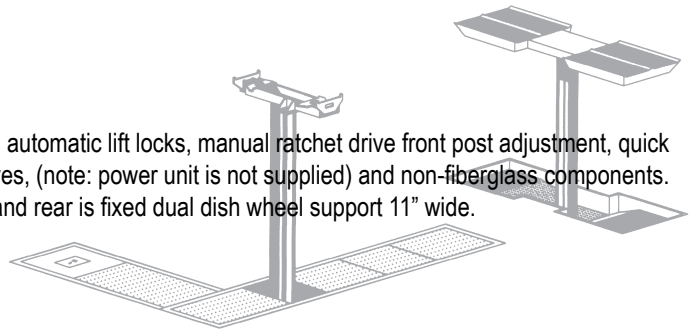
standards & options next page

Proven Lifting Technology

Specifications and Options

2P-1012-DDWS Standard Equipment:

12 foot front frame (non-recessed), manual waist height release automatic lift locks, manual ratchet drive front post adjustment, quick adapter spotting devices, floor level dead-man style control valves. (note: power unit is not supplied) and non-fiberglass components. Standard front adapters adjust from 40-1/2" to 57-1/2" in width and rear is fixed dual dish wheel support 11" wide.



Your Easy Upgrade Options:

Front Frame Upgrades:

Additional front frame length for accommodating longer vehicle wheelbase lengths.

| SVI Upgrade Number | Description | SVI Upgrade Number | Description |
|--------------------|-----------------|--------------------|--|
| SV-9667-013-L | 13' Front Frame | SV-9667-017-L | 17' Front Frame |
| SV-9667-014-L | 14' Front Frame | SV-9667-018-L | 18' Front Frame |
| SV-9667-015-L | 15' Front Frame | | |
| SV-9667-016-L | 16' Front Frame | | Longer front frame lengths available per request |

Air Lock Upgrade:

Converts standard manual release locks to an air operated remote release multi-position lock assembly. This means your lift will lock in positions throughout the stroke rather than just at full stroke as with manual style locks. **To upgrade order SV-56F/06C-L**

Power Spot Upgrade:

Converts adjustment of front cylinder position from a manual ratchet system to an easy to operate hydraulic drive system. This means easy work for the lift operator when changing the lift to accommodate different wheelbase vehicles. **To upgrade order SV-32-L**

Fiberglass Upgrade:

Fiberglass coat your cylinder components for added protection.

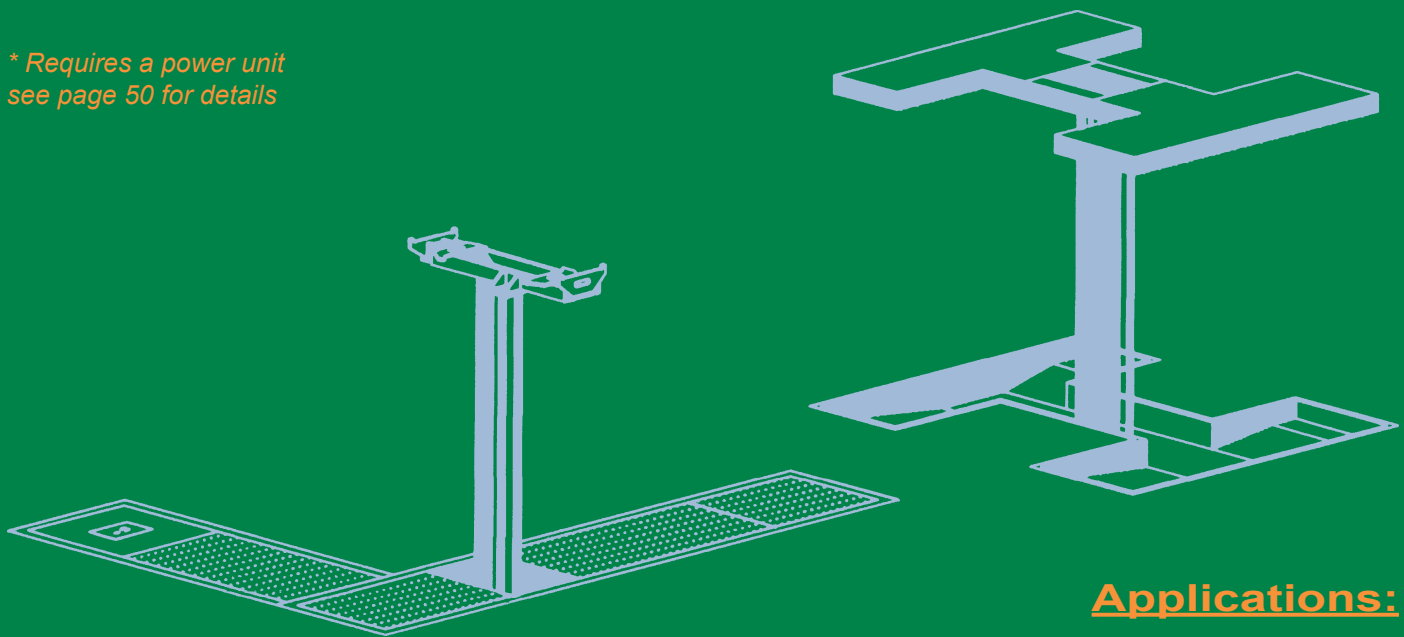
| SVI Upgrade Number | Description |
|--------------------|---|
| SV-9667-32FFG-L | Add Fiberglass Coating to the Front Cylinder Assembly |
| SV-9673-012DFG-L | Add Fiberglass Coating to the Rear Cylinder Assembly |



2P-1012-DOR*

- Lift capacity: @ 250 psi 43,000 lbs., 18,000 front & 25,000 rear
- Lift capacity: @ 350 psi 60,000 lbs., 25,000 front & 35,000 rear
- Single moveable front and single stationary rear
- Axle engaging front saddle and adapters and platform style rear drive on runway.wheel support.
- Adjustable front cylinder for various wheelbase lengths
- Electric/Hydraulic Oil Operated
- Post diameters: 10-5/8" front & 12-5/8" rear
- Displacement: 63 gallons
- Raised vehicle contact height above floor: 67" front & 69-3/4" rear based on standard adapters
- Multiple lip seal seal design for increased performance

* Requires a power unit
see page 50 for details



Applications:

Utility Companies
Transit Authorities
Municipal Garages

or wherever heavy-duty vehicle lifting is required

Power Post Lifting Systems

fastest, most reliable
and economical
method for lifting



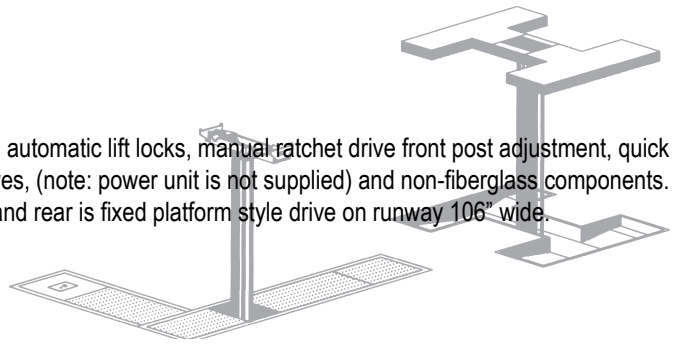
standards & options next page

Proven Lifting Technology

Specifications and Options

2P-1012-DOR Standard Equipment:

12 foot front frame (non-recessed), manual waist height release automatic lift locks, manual ratchet drive front post adjustment, quick adapter spotting devices, floor level dead-man style control valves. (note: power unit is not supplied) and non-fiberglass components. Standard front adapters adjust from 40-1/2" to 57-1/2" in width and rear is fixed platform style drive on runway 106" wide.



Your Easy Upgrade Options:

Front Frame Upgrades:

Additional front frame length for accommodating longer vehicle wheelbase lengths.

| SVI Upgrade Number | Description | SVI Upgrade Number | Description |
|--------------------|-----------------|--------------------|--|
| SV-9667-013-L | 13' Front Frame | SV-9667-017-L | 17' Front Frame |
| SV-9667-014-L | 14' Front Frame | SV-9667-018-L | 18' Front Frame |
| SV-9667-015-L | 15' Front Frame | | |
| SV-9667-016-L | 16' Front Frame | | Longer front frame lengths available per request |

Air Lock Upgrade:

Converts standard manual release locks to an air operated remote release multi-position lock assembly. This means your lift will lock in positions throughout the stroke rather than just at full stroke as with manual style locks. **To upgrade order SV-56F/06C-L**

Power Spot Upgrade:

Converts adjustment of front cylinder position from a manual ratchet system to an easy to operate hydraulic drive system. This means easy work for the lift operator when changing the lift to accommodate different wheelbase vehicles. **To upgrade order SV-32-L**

Fiberglass Upgrade:

Fiberglass coat your cylinder components for added protection.

| SVI Upgrade Number | Description |
|--------------------|---|
| SV-9667-32FFG-L | Add Fiberglass Coating to the Front Cylinder Assembly |
| SV-9673-012DFG-L | Add Fiberglass Coating to the Rear Cylinder Assembly |



Power Post Information

Electric Hydraulic Power Units

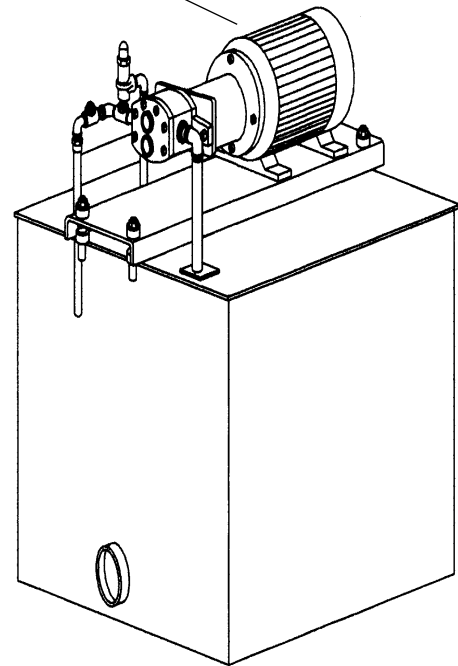
Electric motors available in either 7-1/2 HP for 250 psi or 10 HP for 350 psi capacity applications.

Power Units:

SVI Number Description

| | |
|---------|--|
| SV-60-1 | Power Unit - Complete 60 Gallon Capacity |
| SV-61-1 | Power Unit - Complete 120 Gallon Capacity |
| SV-62-1 | Power Unit - Complete 170 Gallon Capacity |

Includes: 40 G.P.M. Gear Pump, By Pass Regulating Valve and "C" Flange Mounting and 208-230/460V 3Ø TEFC Electric Motor.



Supreme Value Initiative

Hydraulic Power Units

FEATURES:

- Low Cost
- Simple Design
- Reliable Function
- Universally Available Components
- SAE Type B Pump to Motor Adapter
- High Performance HYBEL Gear Pump*
- Fulflo Hydraulic Bypass Relief Valve
- Parker "Series C" Check Valve*
- Standard and Custom Reservoir Capacities
- Optional Auxiliary Reservoirs Available



Magnetic Starters Available!



**4 Standard Color Choices!
Coordinate with your shop.**

Custom colors available for an additional charge.



Black



Yellow



Red



Blue

Hydraulic Power Units from SVI can be used to power any type of hydraulic cylinders that operate on pressures up to 350 PSI. Applications include heavy duty in-ground automotive, truck and bus service lifts and low pressure, high capacity intermittent use material handling cylinders.

These power units are an ideally suitable replacement or upgrade for any struggling power unit found in use on older fore-and-aft lifts in any bus shop, municipal garage or transit fleet facility. Each power unit reservoir and assembly is built in SVI's DeKalb, Illinois plant using readily available industry standard components. After production, the power units are hydraulically tested for proper operation prior to shipping.

SVI power units are the perfect solution when a new unit is required for any existing conventional fore-and-aft lift, regardless of the make or model number. Whether it is a Western, Joyce, Globe, Gilbarco, Weaver, Rotary, Curtis, SVI or other make of lift—SVI is your Answer!



SVI International, Inc.

BALTIMORE • CHICAGO • LOS ANGELES

800-321-8173

www.sviinternational.com

E-Mail: parts@sviintl.com

*or equivalent

All names, numbers, symbols and descriptions are used for reference purposes only. It is not implied that any part listed is the product of these manufacturers; however, some parts may be the actual product of these manufacturers. Entire contents copyright © 2020 SVI International, Inc.

60 Hz POWER UNITS

| SVI Part # | GPM (LPM) | Operating Pressure Pound/Sq. In. (Bar) | Tank Capacity Gallons (Liters) | Motor Specs | | Overall Dimensions | | |
|---------------------|------------------|--|--------------------------------|---------------------------|---|---------------------|---------------|-------------------|
| | | | | HP / kW / Phase | Voltage | Width | Height | Depth |
| SV-60-1 | 40 gpm (151 lpm) | 250 psi (17.2 bar) | 60 gal (227 L) | 7.5 hp / 5.5kW 3 Phase | 208-230V / 460V, 24.2-22 / 11 A, 1800 RPM | 19-1/8" (485 mm) | 57" (1450 mm) | 38" (965 mm) |
| SV-61-1 | 40 gpm (151 lpm) | 250 psi (17.2 bar) | 120 gal (454 L) | 7.5 hp / 5.5kW 3 Phase | 208-230V / 460V, 24.2-22 / 11 A, 1800 RPM | 30-3/4" (780 mm) | 57" (1450 mm) | 38" (965 mm) |
| SV-61-1-1PH | 40 gpm (151 lpm) | 250 psi (17.2 bar) | 120 gal (454 L) | 7.5 hp / 5.5kW 1 Phase | 208-230V / 460V, 24.2-22 / 11 A, 1800 RPM | 30-3/4" (780 mm) | 57" (1450 mm) | 38" (965 mm) |
| SV-61-1-575V | 40 gpm (151 lpm) | 250 psi (17.2 bar) | 120 gal (454 L) | 7.5 hp / 5.5kW 3 Phase | 575V, 7.6A, 1800 RPM | 30-3/4" (780 mm) | 57" (1450 mm) | 38" (965 mm) |
| SV-62-1 | 40 gpm (151 lpm) | 250 psi (17.2 bar) | 170 gal (643.5 L) | 7.5 hp / 5.5kW 3 Phase | 208-230V / 460V, 21-18.8 / 9.4 A, 1800 RPM | 42-1/8" W (1070 mm) | 57" (1450 mm) | 38" (965 mm) |
| SV-60-2 | 40 gpm (151 lpm) | 350 psi (24.1 bar) | 60 gal (227 L) | 10 hp / 7.5kW 3 Phase | 208-230V / 460V, 29-26 / 13 A, 1800 RPM | 19-1/8" (485 mm) | 57" (1450 mm) | 39-1/2" (1005 mm) |
| SV-61-2 | 40 gpm (151 lpm) | 350 psi (24.1 bar) | 120 gal (454 L) | 10 hp / 7.5kW 3 Phase | 208-230V / 460V, 29-26 / 13 A, 1800 RPM | 30-3/4" (780 mm) | 57" (1450 mm) | 39-1/2" (1005 mm) |
| SV-62-2 | 40 gpm (151 lpm) | 350 psi (24.1 bar) | 170 gal (643.5 L) | 10 hp / 7.5kW 3 Phase | 208-230V / 460V, 29-26 / 13 A, 1800 RPM | 42-1/8" W (1070 mm) | 57" (1450 mm) | 39-1/2" (1005 mm) |
| SV-60-3 | 60 gpm (227 lpm) | 250 psi (17.2 bar) | 60 gal (227 L) | 10 hp / 7.5kW 3 Phase | 208-230V / 460V, 29-26 / 13 A, 1800 RPM | 19-1/8" (485 mm) | 57" (1450 mm) | 39-1/2" (1005 mm) |
| SV-61-3 | 60 gpm (227 lpm) | 250 psi (17.2 bar) | 120 gal (454 L) | 10 hp / 7.5kW 3 Phase | 208-230V / 460V, 29-26 / 13 A, 1800 RPM | 30-3/4" (780 mm) | 57" (1450 mm) | 39-1/2" (1005 mm) |
| SV-62-3 | 60 gpm (227 lpm) | 250 psi (17.2 bar) | 170 gal (643.5 L) | 10 hp / 7.5kW 3 Phase | 208-230V / 460V, 29-26 / 13 A, 1800 RPM | 42-1/8" W (1070 mm) | 57" (1450 mm) | 39-1/2" (1005 mm) |
| SV-60-4 | 60 gpm (227 lpm) | 350 psi (24.1 bar) | 60 gal (227 L) | 15 hp / 11.2kW 3 Phase | 208-230V / 460V, 46.2-42 / 21 A, 1800 RPM | 19-1/8" (485 mm) | 57" (1450 mm) | 42" (1067 mm) |
| SV-61-4 | 60 gpm (227 lpm) | 350 psi (24.1 bar) | 120 gal (454 L) | 15 hp / 11.2kW 3 Phase | 208-230V / 460V, 46.2-42 / 21 A, 1800 RPM | 30-3/4" (780 mm) | 57" (1450 mm) | 42" (1067 mm) |
| SV-62-4 | 60 gpm (227 lpm) | 350 psi (24.1 bar) | 170 gal (643.5 L) | 15 hp / 11.2kW 3 Phase | 208-230V / 460V, 46.2-42 / 21 A, 1800 RPM | 42-1/8" W (1070 mm) | 57" (1450 mm) | 42" (1067 mm) |

50 Hz POWER UNITS

| SVI Part # | GPM (LPM) | Operating Pressure Pound/Sq. In. (Bar) | Tank Capacity Gallons (Liters) | Motor Specs | | Overall Dimensions | | |
|----------------|------------------|--|--------------------------------|---------------------------|--|---------------------|---------------|-------------------|
| | | | | HP / Phase | Voltage | Width | Height | Depth |
| SV-60-5 | 40 gpm (151 lpm) | 250 psi (17.2 bar) | 60 gal (227 L) | 7.5 hp / 5.5kW 3 Phase | 190-220V / 380V, 29-25 / 14.7 A, 1440 RPM | 19-1/8" (485 mm) | 57" (1450 mm) | 38" (965 mm) |
| SV-61-5 | 40 gpm (151 lpm) | 250 psi (17.2 bar) | 120 gal (454 L) | 7.5 hp / 5.5kW 3 Phase | 190-220V / 380V, 29-25 / 14.7 A, 1440 RPM | 30-3/4" (780 mm) | 57" (1450 mm) | 38" (965 mm) |
| SV-62-5 | 40 gpm (151 lpm) | 250 psi (17.2 bar) | 170 gal (643.5 L) | 7.5 hp / 5.5kW 3 Phase | 190-220V / 380V, 29-25 / 14.7 A, 1440 RPM | 42-1/8" W (1070 mm) | 57" (1450 mm) | 38" (965 mm) |
| SV-60-6 | 40 gpm (151 lpm) | 350 psi (24.1 bar) | 60 gal (227 L) | 10 hp / 7.5kW 3 Phase | 190-220V / 380V, 39-34 / 19.6 A, 1440 RPM | 19-1/8" (485 mm) | 57" (1450 mm) | 39-1/2" (1005 mm) |
| SV-61-6 | 40 gpm (151 lpm) | 350 psi (24.1 bar) | 120 gal (454 L) | 10 hp / 7.5kW 3 Phase | 190-220V / 380V, 39-34 / 19.6 A, 1440 RPM | 30-3/4" (780 mm) | 57" (1450 mm) | 39-1/2" (1005 mm) |
| SV-62-6 | 40 gpm (151 lpm) | 350 psi (24.1 bar) | 170 gal (643.5 L) | 10 hp / 7.5kW 3 Phase | 190-220V / 380V, 39-34 / 19.6 A, 1440 RPM | 42-1/8" W (1070 mm) | 57" (1450 mm) | 39-1/2" (1005 mm) |
| SV-60-7 | 60 gpm (227 lpm) | 250 psi (17.2 bar) | 60 gal (227 L) | 10 hp / 7.5kW 3 Phase | 190-220V / 380V, 39-34 / 19.6 A, 1440 RPM | 19-1/8" (485 mm) | 57" (1450 mm) | 39-1/2" (1005 mm) |
| SV-61-7 | 60 gpm (227 lpm) | 250 psi (17.2 bar) | 120 gal (454 L) | 10 hp / 7.5kW 3 Phase | 190-220V / 380V, 39-34 / 19.6 A, 1440 RPM | 30-3/4" (780 mm) | 57" (1450 mm) | 39-1/2" (1005 mm) |
| SV-62-7 | 60 gpm (227 lpm) | 250 psi (17.2 bar) | 170 gal (643.5 L) | 10 hp / 7.5kW 3 Phase | 190-220V / 380V, 39-34 / 19.6 A, 1440 RPM | 42-1/8" W (1070 mm) | 57" (1450 mm) | 39-1/2" (1005 mm) |
| SV-60-8 | 60 gpm (227 lpm) | 350 psi (24.1 bar) | 60 gal (227 L) | 15 hp / 11.2kW 3 Phase | 190-220V / 380V, 59-51 / 29.4 A, 1440 RPM | 19-1/8" (485 mm) | 57" (1450 mm) | 42" (1067 mm) |
| SV-61-8 | 60 gpm (227 lpm) | 350 psi (24.1 bar) | 120 gal (454 L) | 15 hp / 11.2kW 3 Phase | 190-220V / 380V, 59-51 / 29.4 A, 1440 RPM | 30-3/4" (780 mm) | 57" (1450 mm) | 42" (1067 mm) |
| SV-62-8 | 60 gpm (227 lpm) | 350 psi (24.1 bar) | 170 gal (643.5 L) | 15 hp / 11.2kW 3 Phase | 190-220V / 380V, 59-51 / 29.4 A, 1440 RPM | 42-1/8" W (1070 mm) | 57" (1450 mm) | 42" (1067 mm) |

Specifications Subject to Change

SVI International, Inc.

155 Harvestore Drive
DeKalb, IL 60115

parts@sviintl.com

800-321-8173 • Toll Free

815-748-0200 • Phone

800-899-1784 • Fax



SVI International, Inc. is the lift industry's leading supplier of parts used in both the repair and production of all types of automotive lifts. Our network of customers is vast. SVI currently serves over 2,000 companies throughout the U.S. and Canada that sell, service and install automotive lifts. Many lift manufacturers also rely on SVI for their supply of certain parts used in the production of lifts. SVI provides on time delivery and same day shipping from any of our three "Ready Ship" warehouses.

SVI's product line includes over 20,000 different repair parts for most makes and models of lifts, whether you own an in-ground or surface-mount. If you own a lift that was manufactured 60 years ago chances are the parts are in stock or still readily available. The word "obsolete" is barely a word that fits into our vocabulary. When we make a part available for any lift whose manufacturer is no longer in business that part is available again forever. If someone should tell you parts are no longer available for a lift, ask them if they called SVI.

Product innovation is also a very important part of SVI's role in the lift industry. Our engineers and management team are always working on safer solutions for older lifts existing in the field. One example is our adjustable main arm restraint gear for use on Rotary two-post surface lifts. This product allows full adjustability so proper mating between arm restraint gears can be maintained at all times. Another example is our bolt-on compliance single-point-release multiple-position safety leg for single post lifts. This patent pending product allows owners of single post lifts to bring them into compliance with the A.N.S.I. standard in just a few minutes time. Our engineers work on all facets of the lift industry's needs. If you have any suggestions please let us know. In fact, SVI was the first to develop the patent pending "Aqua-out" system for use on new cassette style in-ground lifts. The "Aqua-out" system addresses the moisture problems that can be associated with these lifts and automatically removes the water each time the lift is lowered.

When it comes to real solutions for the lift industry, SVI is your answer. SVI staff is not just knowledgeable on one make of lift. SVI support representatives are the most knowledgeable group of people in the lift industry. No matter what make or model lift you may have chances are an SVI representative can help.

SVI also serves other areas of the automotive lift and equipment industry with products such as:

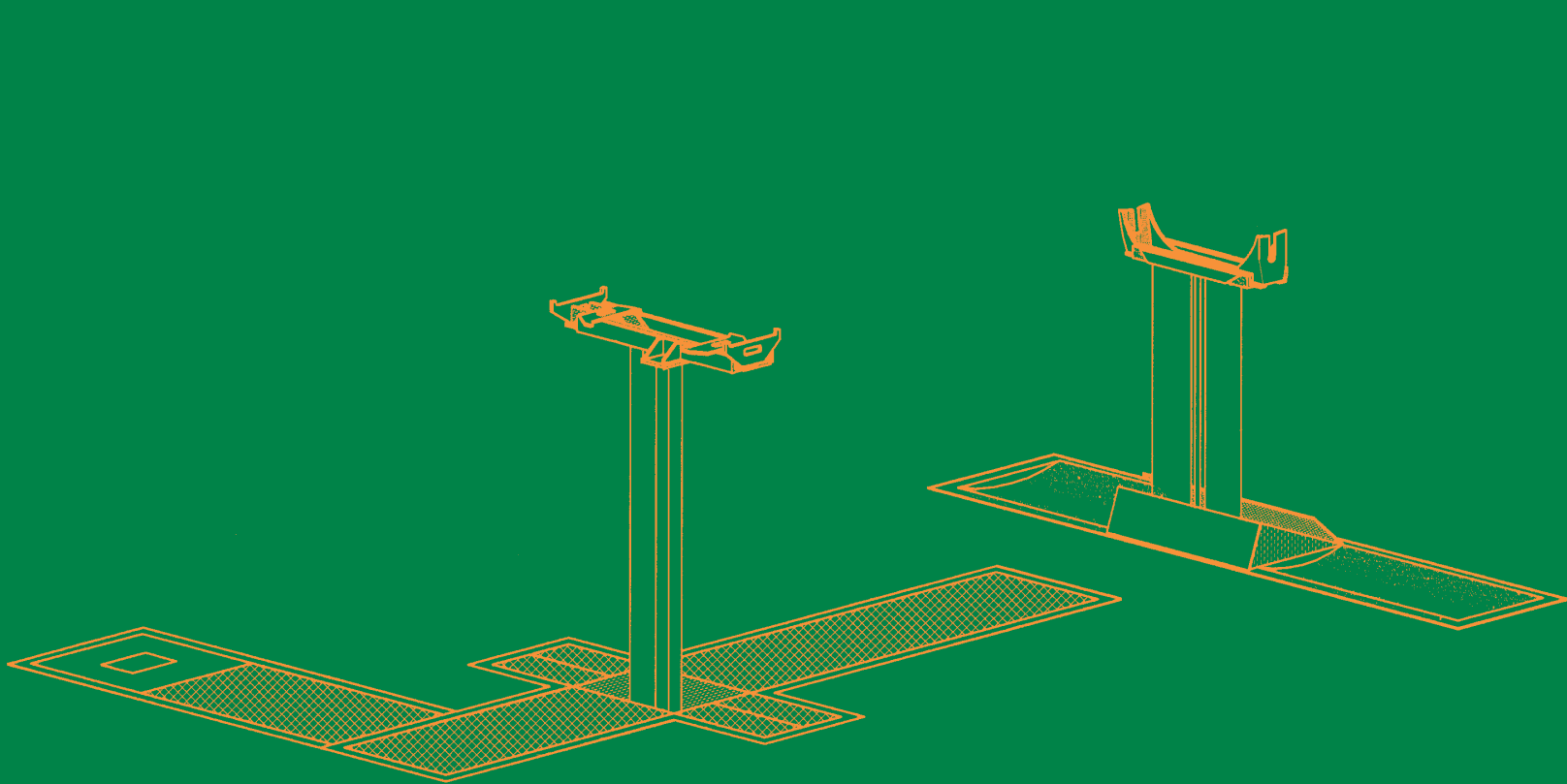
- Power Post Heavy-Duty In-Ground Lifting Systems - longest lasting, most reliable and safest lifts available.
- Lubrication equipment.
- Steel hydraulic line tubing for fluid delivery systems.
- Brake lathe cutting bits and repair parts.
- Tire changer repair parts.
- Gaskets and parts for gas pump and meter rebuilding.

Call or email us today to learn more about our capabilities or to locate a qualified SVI distributor near you.

**TERMS AND CONDITIONS OF THE
SALES ORDER
FOR SVI INTERNATIONAL, INC.**

1. **GENERAL.** The terms and conditions of sales order outlined herein shall apply to the sale by SVI INTERNATIONAL, INC. (hereinafter referred to as "Company") of the items described on the facing page (hereinafter referred to as "Merchandise") to Purchaser.
2. **DELIVERY.** Delivery shall be deemed to be complete when the Merchandise has been shipped F.O.B. Company's plants in DeKalb, Illinois, Montclair, California; and Hanover, Maryland ("Company's plants"). Shipments are subject to delays from causes or contingencies beyond the reasonable control of the Company. When otherwise not specified, shipments will be made in standard containers via carrier which, in the judgment of the Company, will result in the most practical method. Title and right of possession will pass to the Purchaser upon receipt by the carrier at the shipping point. If a customer of the Company should specify a specific carrier's method of shipment (i.e. UPS Next Day Air) and that carrier does not perform to the customer's expectations, freight credit to a customer's account will not be issued unless the Company can first obtain a credit.
3. **RISK OF LOSS.** Identification of the Merchandise under Uniform Commercial Code (hereinafter referred to as "UCC") Section 2-501 shall take place at the moment of shipment F.O.B. Company's plants. Risk of loss shall pass to the Purchaser when the Merchandise is shipped from the Company's plants.
4. **TITLE.** Title to the merchandise shall transfer to the Purchaser when the Merchandise is shipped from the Company's plants.
5. **WARRANTIES.** The Company guarantees its products to be free from defects in workmanship and raw materials for a period of one year from date of purchase. THIS WARRANTY IS EXPRESSLY IN LIEU OF ANY AND ALL WARRANTIES EXPRESS OR IMPLIED. COMPANY DOES NOT WARRANT THE MERCHANDISE IS MERCHANTABILITY OR FIT FOR ANY PARTICULAR PURPOSE. Company's liability for breach of the terms of this Agreement, including any warranty, is limited to either refund of the invoice price of the Merchandise or at Company's option, replacement of the Merchandise free of charge, including transportation charges but not including the cost of labor. Purchaser has not relied on any statement or upon the conduct of Company with respect to the prospective use of the merchandise. Company shall not be liable for and Purchaser waives any and all claims for any loss or damage, directly or indirectly, arising from the use of the Merchandise and for punitive, incidental or consequential damages, including, but not limited to, damages to property, for loss of use, loss of time, loss of profit or loss of income. The Company does not authorize the sale of our products under any other warranty, expressed or implied. **Please note:** Electrical components and cylinder or shaft seals are not covered under warranty.
6. **SETOFF.** All claims for money due or to become due from the Company shall be subject to deduction by the Company for any setoff or counterclaim arising out of this or any other claims of the Company or its affiliated companies, whether such setoff or counterclaim arose before or after any assignment by Purchaser.
7. **INDEMNIFICATION.** Purchaser agrees to indemnify the Company and hold it harmless from and against all claims, liability, loss, damage or expense, including reasonable counsel fees, arising from or by reason of any modifications or alterations made by Purchaser. If a customer of the Company modifies or alters any part, in any manner whatsoever, or uses any part in departure from recommended performance specifications, said customer agrees to indemnify and hold the Company harmless from and against all liability and expenses based on damage to property or injury to or death of any person arising out of or attributable to such modified or altered part. Further, the Company will not accept any such modified or altered part for credit to a customer's account.
8. **FREIGHT POLICY.** Freight charges are prepaid and added to invoice or collect FOB shipping point. Note: All customers are responsible for all carrier shipping costs, fees, surcharges, etc. including order refusal and return fees.
9. **RETURN POLICY.** To return a part for credit or inspection, Purchaser must first contact our Main Office in Illinois, to obtain a Return Merchandise Form. Once Purchaser has obtained this form, the parts can be returned freight prepaid only. The Return form must be included with the shipment. Parts returned to the Company without the approved form will be returned freight collect to the shipper or refused. Returns must be initiated within 30 days of the invoice date. The Return Forms are valid for 30 days, from the date of issue. All Returns are subject to restocking charges. Return parts brought into our remote warehouses, will not be accepted by our personnel, without a Return Merchandise Form from the Main Office. Parts which have been used in any way or manner, including any installation or incorporation into a lift, hoist, or other equipment, shall NOT be eligible for return whether or not a Return form has been assigned. **Please note:** Electrical parts or components are not returnable for credit. This includes all switches, pushbuttons, relays, electric motors, capacitors, fuses, solenoids, power units with wiring issues or any other electrical items. Custom, built to order, special order, and non-stocked genuine parts are non-returnable.
10. **RESTOCK CHARGE.** Returns are subject to a restocking charge. Refusals are subject to the same restocking charge plus the cost of outbound and return freight charges and/or fees incurred by the Company due to shipment refusal.
11. **PRICES AND PAYMENTS.** All prices are subject to change without notice. All prices are F.O.B. shipping point. The Company standard terms are net 30 days, C.O.D. company check, C.O.D. cash, VISA, MasterCard, Discover or American Express. However, if in the judgment of the Company, the financial condition of the Purchaser at any time does not justify shipment according to standard terms of payment, the Company may require full or partial payment in advance.
12. **INTERPRETATION.** This sales order is intended by the parties as a complete and exclusive statement of the terms of their agreement. It supersedes all prior agreements, written or oral. No course of prior dealings between the parties and no usage of the trade shall be relevant to supplement or explain any terms used in this sales order. Acceptance or acquiescence in a course of performance rendered under this purchase order shall not be relevant to determine the meaning of this sales order even though the accepting or acquiescing party has knowledge of the nature of the performance and opportunity for objection. Whenever a term defined by the UCC is used in this sales order the definition contained in the UCC shall control.
13. **MODIFICATION.** This sales order can be modified or rescinded only by a writing signed by both parties.
14. **WAIVER.** No claim or right arising out of a breach of this sales order can be discharged in whole or in part by a waiver or renunciation of the claim or right unless such waiver or renunciation is supported by consideration and is in writing signed by the aggrieved party.
15. **ASSIGNMENT.** No right or interest in this sales order shall be assigned by either party without the written consent of the other and no delegation of any obligation owed, or of the performance of any obligation by either the Company or Purchaser shall be made without the written consent of the other party. Any attempted assignment or delegation not made in conformity with this paragraph shall be wholly void and totally ineffective for all purposes.
16. **TIME TO PERFORM AND BRING ACTION.** Time is of the essence of this sales order. Any action for breach of this sales order shall be commenced within two (2) years after the cause of action has accrued. Any party who loses any litigation shall reimburse the other party for costs including reasonable attorney's fees. The exclusive jurisdiction for any legal action shall be the Circuit Court of DeKalb County, Illinois.
17. **APPLICABLE LAW.** This sales order shall be governed by the UCC of Illinois as effective and in force on the date of this sales order.

Supplying the safest means for heavy-duty bus and truck lifting needs.



**SVI Power Post Model
3P-106DR-FR**

This lift is very popular among municipalities that own and operate snowplow/salt trucks. With a 36,000 lb. capacity dual rear lifting unit, this lift is ready for a fully loaded salt truck on moments notice.

Equipped with the recessed front frame setup, you can enjoy a completely flush, unobstructed floor area when this lift is not in use.

Power Post Lifts provide perfect harmony in any shop.



www.sviinternational.com