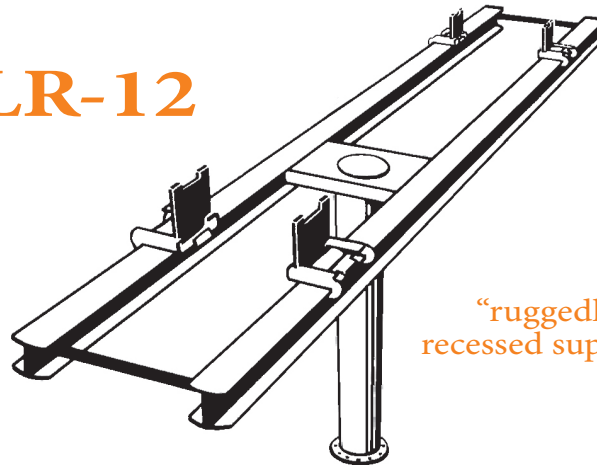


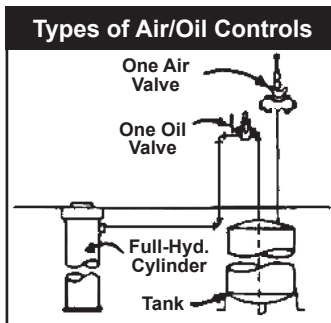
Free Wheel Recessed Rail Style Lifts

single-post LR-08 / LR-10 / LR-12

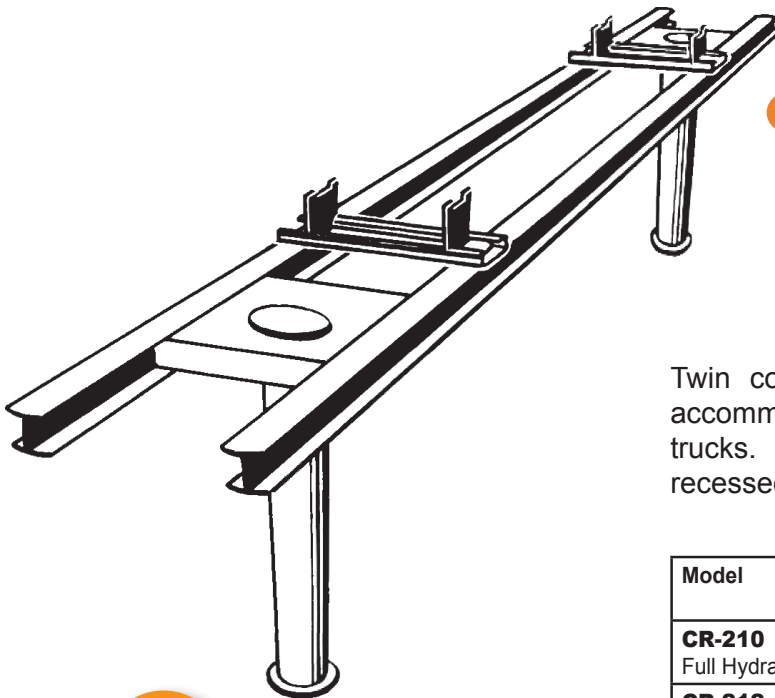
A “multi-duty” free wheel lift with extra lifting capacity for passenger cars and light trucks. Offers maximum undercarriage accessibility for repairs, wheel service, inspections, washing, and undercoating of the applications.



“ruggedly simple recessed superstructure”

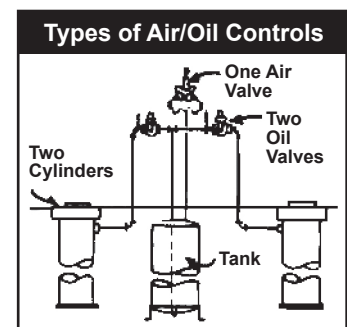


Model	Cylinder Diameter	Centered Load Capacity @175 psi	Superstructure
LR-08 Full Hydraulic	8-1/2"	6,800 lbs.	5" rails 192" long
LR-10 Full Hydraulic	10-5/8"	12,000 lbs.	6" rails 216" long
LR-12 Full Hydraulic	12-5/8"	15,000 lbs.	6" rails 216" long



two-post CR-210 / CR-212

Twin connecting rails to accommodate all cars and trucks. Ruggedly simple recessed superstructure.



Model	Cylinder Diameter	Centered Load Capacity @175 psi	Superstructure
CR-210 Full Hydraulic	(2) 10-5/8"	24,000 lbs. total 12,000 lbs. (F)(R)	6" rails 288" long
CR-212 Full Hydraulic	(2) 12-5/8"	30,000 lbs. total 15,000 lbs. (F)(R)	8" rails 360" long



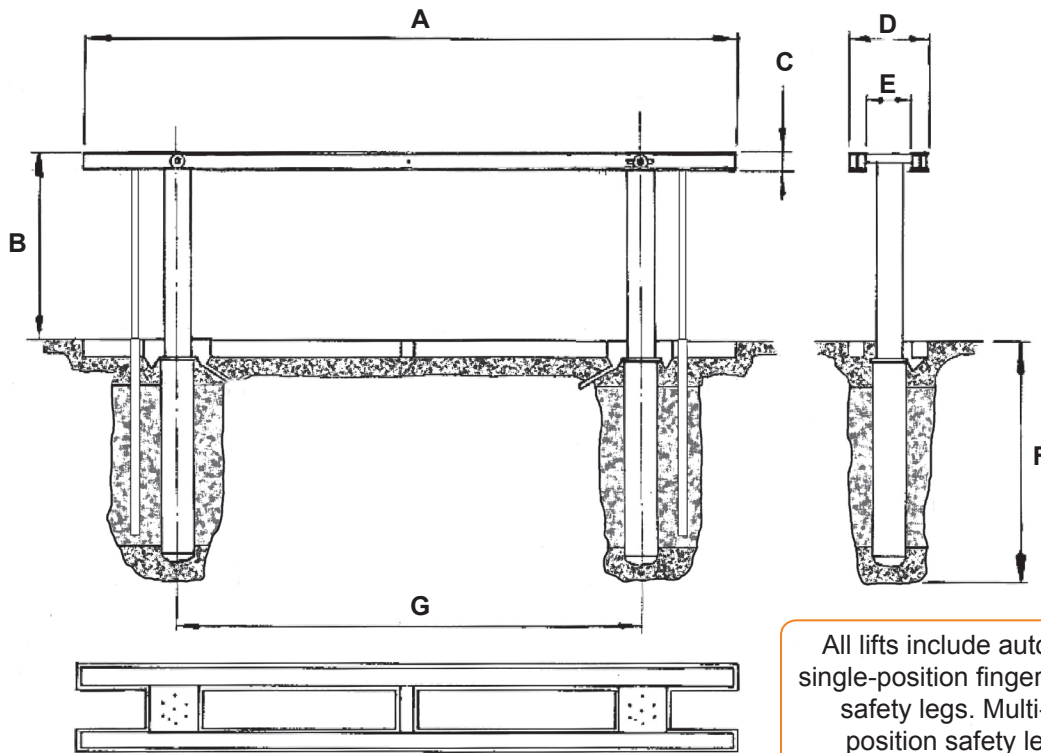
SVI International, Inc.
800-321-8173 • Fax: 800-899-1784

Highway The Phone Company
 Transit Authority School Bus Barns
 Police Departments Utility Companies
 Post Offices Municipal Garages
 Airports Dealerships Step Vans
 Fire Stations

specifications

	LR-08	LR-10	LR-12	CR-210	CR-212
Lifting Capacity	6,800 lbs.	12,000 lbs.	15,000 lbs.	24,000 lbs.	30,000 lbs.
Rail Length (Dimension A)	16'	17'	20'	24'	30'
Lifting Height (Dimension B)	65"	65"	65"	65"	65"
Dimension C	5"	5"	6-1/2"	6-3/8"	8"
Dimension D	25"	26"	29"	33"	36"
Dimension E	15"	16"	17"	21"	23"
Dimension F	9	9	10	10	10
Dimension G	0	0	0	18'	20'
Necessary Air (Constant Pressure)	175 psi	175 psi	175 psi	175 psi	175 psi

Note: Dimensions shown are nominal.



All lifts include automatic single-position finger release safety legs. Multi-lock position safety leg(s) available upon request.



SVI International, Inc. • 800-321-8173 • Fax: 800-899-1784