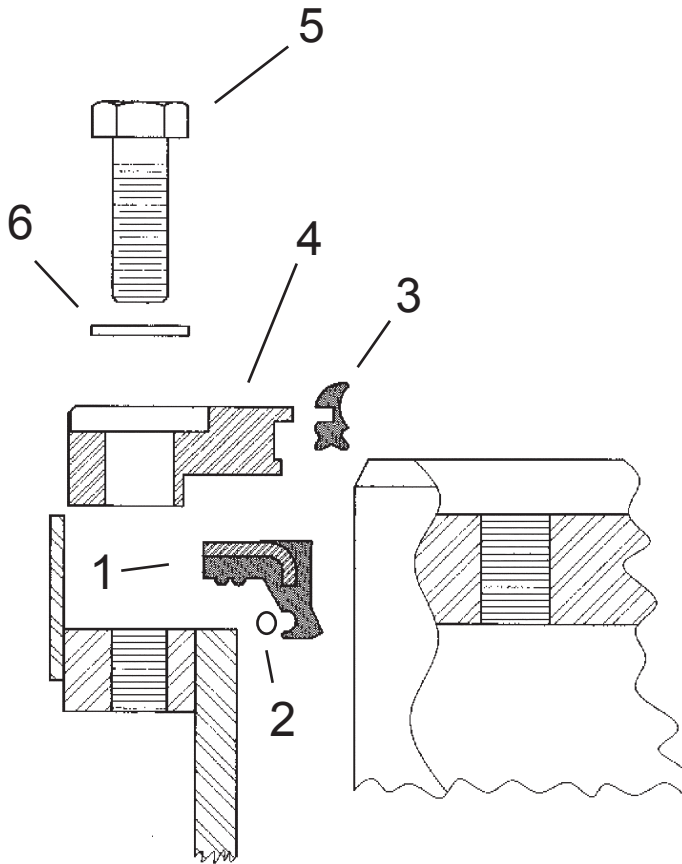


# BH-1799-OPM Outperformer Multiseal Installation Instructions

SVI FORM BH-1799-11

- (1) Raise lift to full stroke and inspect plunger for rust, nicks, dings, scores and sharp spots and repair all evident damage.
- (2) Lower lift, lockout tag the lift from inadvertent operation and carefully exhaust all pressure.
- (3) Remove and discard original gland seal and bleeder plug.
- (4) Install seal spring onto seal by hooking together ends of spring and slipping onto seal.
- (5) Insert seal/wiper combo into groove in gland as shown below.
- (6) Place seal with spring into seal cavity.
- (7) Slide gland with seal/wiper combo installed down over plunger and seal with spring.
- (8) Bolt gland down with the newly included capscrews and star washers.
- (9) Install new bleeder plug, top off oil level, reinstall oil fill plug, repressurize, bleed and operate.



## Outperformer Contents

Item	Qty	SVI P/N	Description
1	1	BH-1799C	Main seal
2	1	BH-1799-02	Spring energizer
3	1	BH-1701	Seal/wiper cmbo
4	1	BH-1799-10	Gland ring
5	6		Capscrew
6	6		Star washers
n/p	1	FK-60-125R	Bleeder plug
	1	BH-1799-11	Instruction sheet

For all lift repair needs. . .  
SVI is everyone's answer!



**SVI International, Inc.**  
**LIFT REPAIR PARTS**

**BALTIMORE - CHICAGO - LOS ANGELES**

Main Office: 155 Harvestore Drive • DeKalb, IL 60115 • 800-321-8173 • Fax 800-899-1784

Entire Contents Copyright © SVI International, Inc. 2003