



**DIRECTFIT™**

# Auto Lift Repair Parts and Accessories for Weaver Lifts

Automotive Shop Equipment | Auto Lift Repair Parts

*The Industry's Largest Selection of Auto Lift Repair Parts*



**SVI International, Inc.**  
155 Harvestore Drive • DeKalb, IL 60115

**800-321-8173**

**815-748-0200**

**[www.sviinternational.com](http://www.sviinternational.com)**

BALTIMORE • CHICAGO • LOS ANGELES



# Table of Contents

EC-383/184 .....3-4

EC-081/881/885/891 .....5-6

EC-284/285 .....5

EC-100/102/103, EC-202/203 .....7-10

EC-105/106 ..... 11-13

EC-107/108 ..... 9-10, 12, 14-15

Air Valves & Oil Valves Plus Parts  
for All In-Ground Lifts.....16-17

Ratchet System Parts for Manual and  
Power-Assisted Ratchet Systems .....18-19

Hydraulic Power Unit for  
Electric Oil Systems.....20

Complete Heavy Duty Lifts .....21

Front and Rear Saddles and Adapters  
for all Fore and Aft In-Ground Lifts .....22-28

MC Series.....29-40

AFH Series Surface-Mount Lifts .....41-42



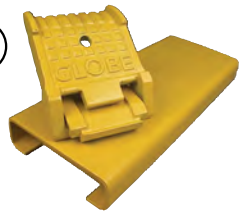
BALTIMORE • CHICAGO • LOS ANGELES  
**(800) 321-8173 • (815) 748-0200**  
[www.sviinternational.com](http://www.sviinternational.com)

# For lift model EC-383 / EC-184 Series

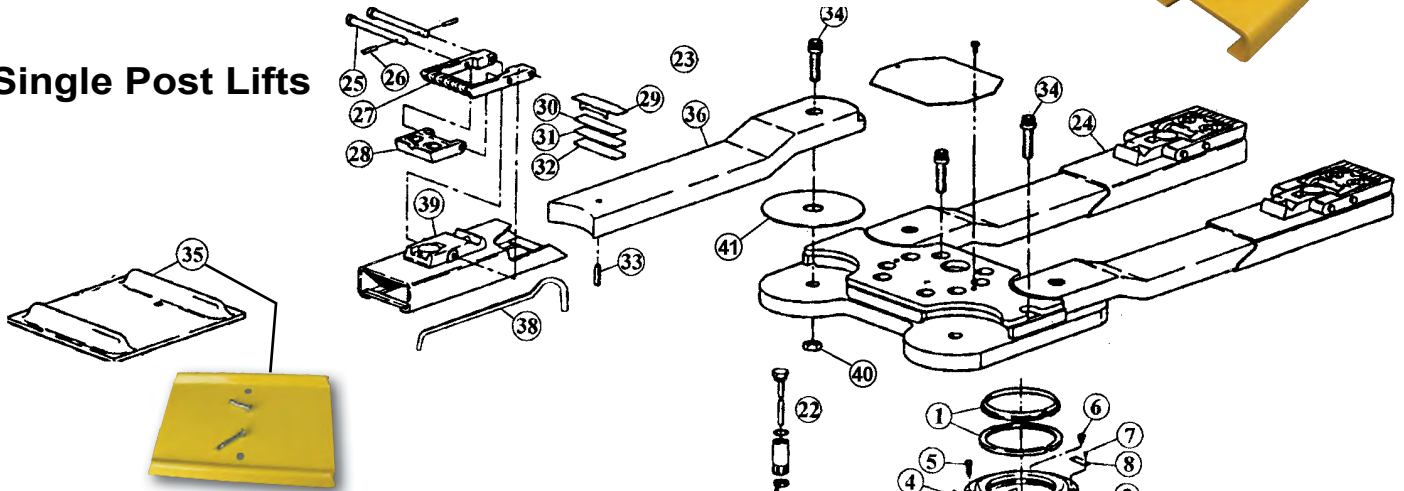
EC-383B Semi Hydraulic  
EC-184B Full Hydraulic

24

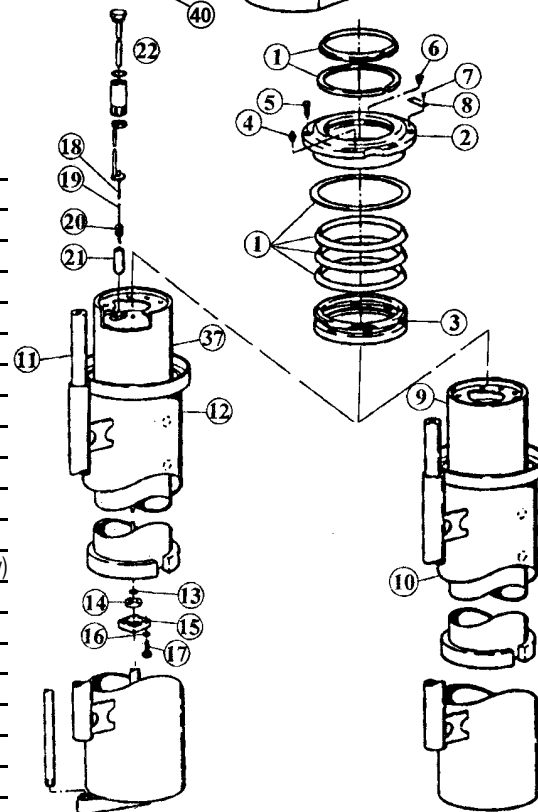
**BH-9620-02**  
(Newer Style)



## Single Post Lifts



Item	SVI part #	OEM #	Req	Description
1	BH-1725	KL159	1	Hoist Packing Seal Kit
	BH-1725S	KL159	1	Leak Sealer Kit
	BH-1725C	for Challenger Hoist Packing Kit (uses white wiper)		
	BH-1725CS	for Challenger Leak Sealer Packing Kit		
2	BH-9620-17ATF	M-2114x	1	Adjust-to-Fit Upper Bearing
	BH-9620-17	M-2114	1	Upper Bearing
3	BH-9651	AS-11311	1	Packing Follower
4	BH-9620-18	S-5096	1	Grease Fitting
5	F-TC-0625-11-1250	S-23050	6	12 pt. Capscrew
6	BH-9620-20	S-25646	1	Relief Fitting
7	F-DS-2-0187	S-4515	2	Drive Screw
8	BH-9620-22	S-27802	1	Warning Plate
9	BH-9620-35	KL164	1	Plunger and Gland Kit (Full Hyd. Only)
10	BH-9620-36	AS-25281	1	Out Casing (Full Hyd.)
11	BH-TR-70	AS-25809	1	Non-Rotator (1089304)
12	BH-9620-33	AS-25288	1	Casing (Semi-Hyd.)
13	BH-9620-24	S-15182	1	O-Ring
14	BH-9620-25	S-15157	1	Tube Seal
15	BH-9620-26	M-2110	1	Seal Plate
16	F-LW-0375	S-1325	4	Lockwasher
17	F-HC-0375-16-1250	S-944	4	Capscrew
18	BH-9620-30	S-15162	1	Wire
19	BH-9620-31	S-23263	1	Capscrew
20	F-HN-0250-20	S-21268	1	Hex Nut
21	BH-9810	S-23265	1	Float
22	BH-9620-29	AS-25624	1	Float Hanger Assy.
23	BH-9620-01	AS-25000	1	Superstructure Complete
24	BH-9620-02	AS-24020	4	Sleeve/Adapter Assy.
	BH-9620-02B	AS-19995	4	Sleeve/Adapter Groove Style
	BH-9620-74	S-18774	4	Top Bushing for Grooved Arm
	BH-9620-75	S-18775	4	Bot. Bushing for Grooved Arm
25	BH-9620-03	S-19977	8	Clevis Pin
26	F-RP-125-0625	S-19326	8	Roll Pin
27	BH-9620-05	M-2139	4	High Adapter Pad
28	BH-9620-06	M-2138	4	Low Pad Adapter
29	BH-9620-07	S-25019	4	Shim Retainer



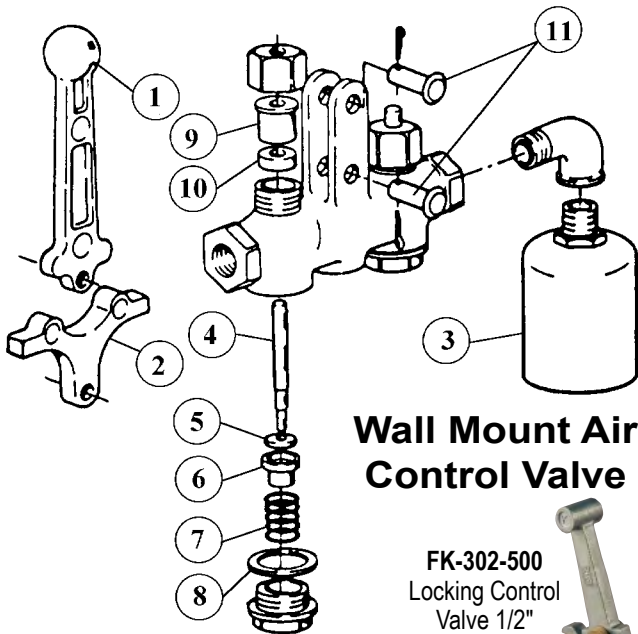
Item	SVI part #	OEM #	Req	Description
30	BH-9620-08	S25024	4	16 Gauge Shim
31	BH-9620-09	S-25025	4	20 Gauge Shim
32	BH-9620-10	S-25026	4	24 Gauge Shim
33	F-RP-375-1500	S-22952	4	Roll Pin
34	F-TC-0750-10-3000	S-25259	9	12pt Capscrew
35	<b>SVI offers the widest spotting dishes in the industry • 15" wide</b>			
	<b>BH-9701</b>	S-23343	1	Wheel Spotting Dish - Single
	<b>BH-9702</b>			Wheel Spotting Dish - Dual
36	BH-9620-40	S-24905	4	Arm
37	BH-9620-35S	KL-168	1	Semi Hyd. Plunger/Gland
38	BH-9620-37	S-16956	1	Adapter Adjust. Handle
39	BH-9620-02C	M-2140	4	Adapter Base
40	F-HN-0750-10			Hex Nut 3/4"-10
41	BH-9420-23			Wear Washer





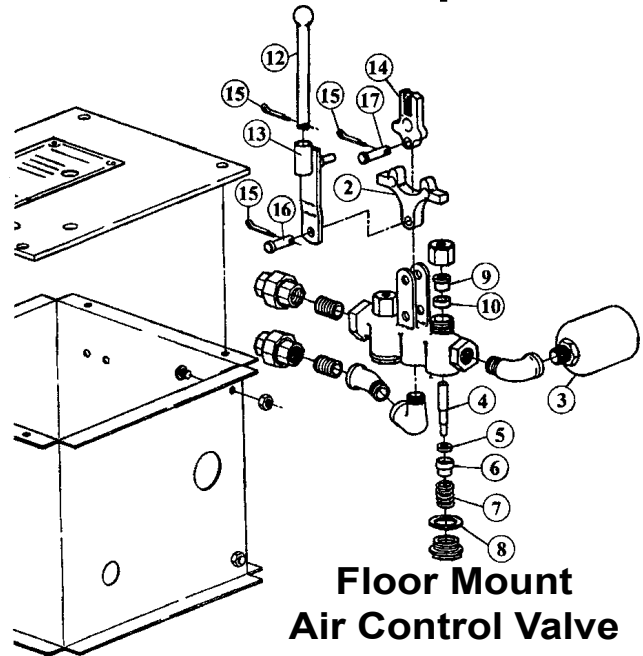
# For lift model EC-383 / EC-184 Series

## Air Valves and Repair Parts



**Wall Mount Air Control Valve**

**FK-302-500**  
Locking Control Valve 1/2"



**Floor Mount Air Control Valve**

Item	SVI part #	OEM #	Req	Description
	BH-9625 NLA	AS-14797	1	Locking Air Valve substitute: FK-302-500 (pictured right)
	BH-9626 NLA	AS-15928	1	Non-Locking Air Valve substitute: FK-303-500
1*	BH-9625-02	M-1662	1	Locking Air Valve Handle
1*	BH-9626-02	AS-15928	1	Non-Locking Handle
2*	BH-9625-03	M-2170	1	Rocker Arm
3	BH-9640	S-20154	1	Muffler
	BH-9642		1	Aluminum Muffler
4	BH-9628-06	S-8472	2	Valve Stem
5	BH-9628-03	S-8461	2	Seat Washer
6	BH-9628-04	S-8462	2	Seat Holder
7	BH-9628-05	S-8463	2	Valve Spring
8	BH-9628-07	S-25697	2	Valve Gasket

Item	SVI part #	OEM #	Req	Description
9	BH-9628-01	S-8453	2	Valve Gland
10	BH-9628-02	S-8454	2	Stem Packing
11	BH-9625-04	S-8459	2	Clevis Pin
12	BH-9632-12	AS-19350	1	Floor Valve Handle
13	BH-9632-11	AS-19348	1	Floor Valve Lever
14	BH-9632-10	M-2126	1	Valve Control Handle
15	F-CP-125-0750	S-275	3	Cotter Pin
16	F-CV-0375-1375	S-19358	1	Clevis Pin
17	F-CV-0375-1250	S-19357	1	Clevis Pin

\* For a locking air valve handle, order BH-9625-02 (M-1662)  
For a non-locking air valve handle, order BH-9626-02.  
The BH-9625-03 Rocker Arm is identical for both valves.

### Hoist Air/Oil Tanks

For EC-184 Single Post:

SVI part #	Description
BH-9801-C	36-Gallon Bottom Outlet
BH-9801-FGC	Bottom Outlet Fiberglassed Tank
BH-9810	Low Oil Float 1/4-20 Threads
BH-9810-01	Eye Hook for BH-9810
BH-9830-15	15 lb. Zinc Anode
BH-9830-30	30 lb. Zinc Anode
BH-9900-02	2" x 100' Pipe/Tank Wrap Tape
BH-9900-04	4" x 100' Pipe/Tank Wrap Tape

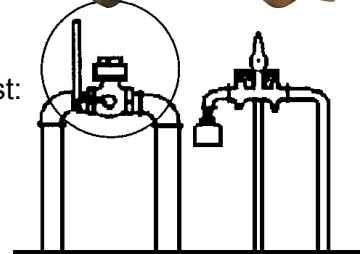


For EC-184 Single Post:

### Wall Mount Oil Control Valves

The choice is yours

SVI Valve #	Manufacturer	Description
FK-238	Morrison Bros.	External Spring Oil Valve
FK-438	Morrison Bros.	Internal Spring Oil Valve
FK-848	A.Y. McDonald	External Spring Oil Valve
FK-902	Milwaukee	External Spring Oil Valve

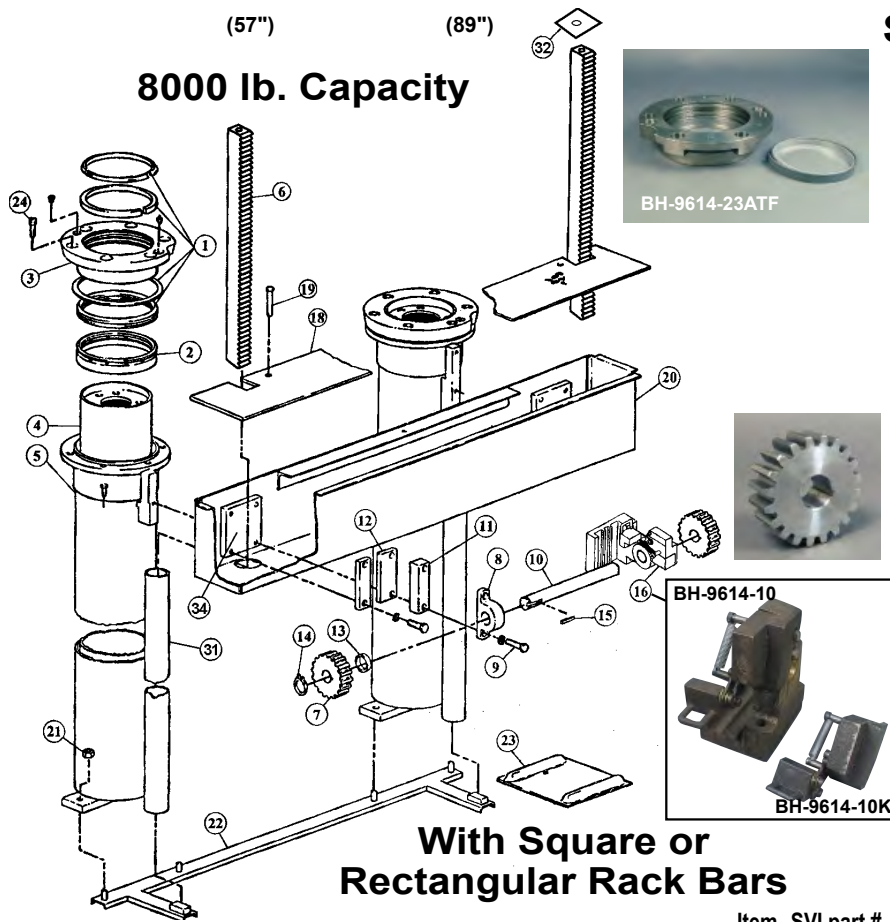




# EC-081/881/885 /891 Series

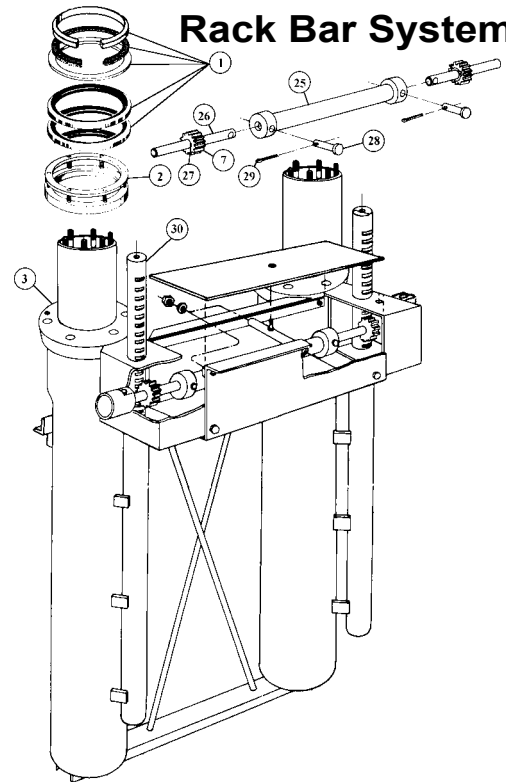
For Twin Post Side-By-Side Lifts

8000 lb. Capacity



With Square or Rectangular Rack Bars

EC-284/285 Round Rack Bar Systems



Item	SVI part #	OEM #	Req	Description
1	BH-1724	KL-162	2	Hoist Packing Kit
	<b>BH-1724S</b>	KL-162	2	Leak Sealer Packing Kit
	BH-1724C	for Challenger		Hoist Packing Kit (uses white wiper)
	BH-1724CS	for Challenger		Lack Sealer Packing Kit
2	BH-9650	A-1325	2	Packing Follower
	BH-9650-01	A-1325S		Spring for Packing Follower
3	BH-9614-23ATF	M-2100x	2	Adjust-to-Fit Upper Bearing Kit
	BH-9614-23	M-2100	2	Upper Bearing
	BH-9614-23C			Challenger gland with White Wiper
4	BH-9614-21	KL-176	2	Plunger and Gland Kit
	BH-9614-80	KL-304	2	Plunger/Gland EC-891
5	BH-9614-19	1080670	2	Casing (not for EC-891)
6	BH-9611	S-23134	2	Rectangular Rack Bar 1-1/4" x 1-3/4"
	BH-9612	1080236	2	Square Rack Bar 1-7/8" x 1-7/8"
7	BH-9613	S-24522	2	Pinion Gear
8	BH-9614-02	AS-27522	1*	Pillow Block
9	F-HC-0500-13-5250	S-27527	4	Capscrew-Square Racks
	F-HC-0500-13-3500	1086909	4	Capscrew-Rectangular Racks
10	BH-9614-01	S-24187	1	Shaft for 57-1/2 Centers
	BH-9617-01	1086487	1	Shaft for 89" Centers
	BH-9616-01	S-24202	1	Shaft for 40" Centers
11	BH-9614-03	S-24207	2	Spacer 1-7/8 x 1-7/8 x 5
12	BH-9614-08	S-24206	2	Spacer 1-7/8 x 5/8 x 5
13	BH-9614-04	S-23515	2	Round Spacer
14	BH-9614-05	S-18912	2	1-1/4" Retaining Ring
15	BH-9614-06	S-189112	2	Key 1/4" x 1"

Item	SVI part #	OEM #	Req	Description
16	BH-9614-10	KL-345	1	Lift Lock Assembly (Sq.)
	BH-9614-10K	KL-345K		Lift Lock Rebuild Kit (Sq.)
	BH-9614-10R**	KL-345R	1	Lift Lock for Rect. Racks
	BH-9614-09			Brass Bushing
18	BH-9614-26	1085383	1	Cover Plate for EC881
19	F-HC-0500-13-2000	S-722	1	Capscrew 1/2-13 x 2"
20	BH-9614-34	1085378	1	Trench Box
	BH-9614-34L	1086493	1	Trench Box for EC-891
21	F-HN-0500	S-508	4	Hex Nut 1/2"
22	BH-9614-25	1085384	1	Channel for EC881
23	<b>BH-9701</b>	S-23343	1	Wheel Spotting Dish - Single
	<b>BH-9702</b>			Wheel Spotting Dish - Dual
24	F-SC-0500-13-1500	S-18866	12	Socket Head Screw
25	BH-9618-07	AS-18806	1	Equalizer Coupler Shaft
26	BH-9618-01	S-18910	2	1-1/4" Equalizer Shaft
27	BH-9618-06		2	Woodruff Key
28	BH-9618-08	S-18810	2	Clevis Pin
29	F-CP-093-1000	S-627	2	Cotter Pin
30	BH-9610	S-18807	2	Round Rack Bar
	BH-9618-10	S-18883	2	Bronze Bushings for Ends
31	BH-9612-SLV			Sleeve for Square Rack Bar
32	BH-9614-31	1085393		Latch Trip for Top for Rack
33	BH-9614-32	1086898		Spacer Block at Top
34	BH-9614-36	1085380	2	Plate

\* If no lift lock is used (2) BH-9614-02 Pillow Blocks are required

\*\* Only for 10" depth trench box

See Equalizer Assemblies on next page



# EC-081/881/885 /891 Series

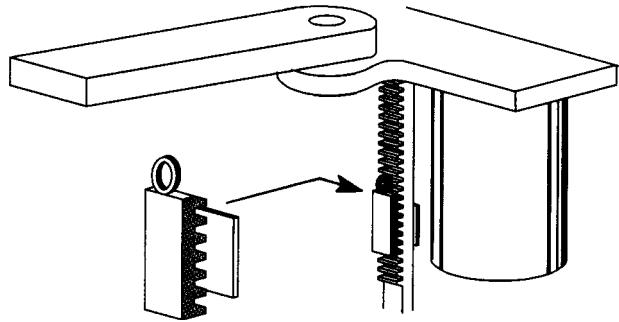
## Twin Post Side-by-Side Lift Parts Breakdowns

### Equalizer Assemblies

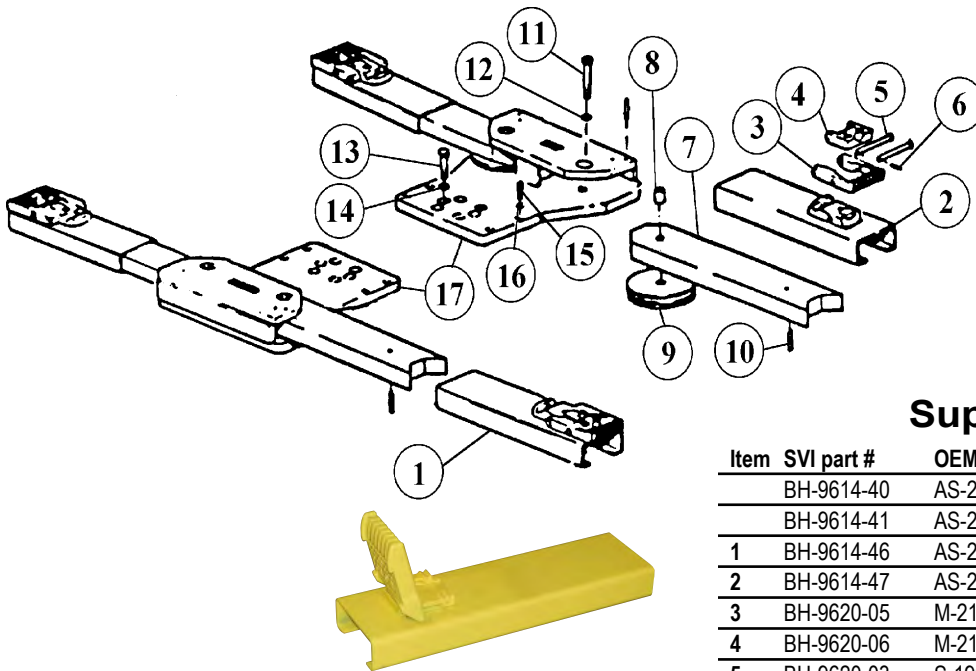
Item	SVI part #	Rack Bars	Req	Description
8-15	BH-9614 - C Series	Square	1	Eq. Assy. for 57-1/2" Piston Ctrs.
6-15	BH-9614-C	Square	1	Complete Eq. w/ Racks/Gears
6-16	BH-9614-LC	Square	1	Cplt. Locking Eq. w/ Racks/Gears
8-15	BH-9615 - B Series	Rect.	1	Eq. Assy. for Rect. Rack Bar Systems
6-15	BH-9615-C - B Series	Rect.	1	Complete Eq. w/ Racks/ Gears
6-16	BH-9615-LC	Rect.	1	Cplt. Locking Eq. w/ Racks/Gears
8-15	BH-9616 (28401/28501)	Rect.	1	Equalizer Assy. for 40" Piston Ctrs.
6-15	BH-9616-C	Rect.	1	Cplt. Eq. w/ Racks/Gears
6-16	BH-9616-LC	Rect.	1	Cplt. Locking Eq. w/ Racks/Gears
8-15	BH-9617 (EC-891)	Square	1	Equalizer Assy. for 89" Piston Ctrs.
6-15	BH-9617-C	Square	1	Complete Eq. w/ Racks/Gears
6-16	BH-9617-LC	Square	1	Cplt.Locking Eq. w/ Racks/Gears
25-29	BH-9618* (EC-284/EC-285)	Round	1	Eq.Assy. for 40" Round Rack Sys.
25-30	BH-9618-C*	Round	1	Cplt. Eq. Assy. w/ Racks/Gears

\* No Locks available for BH-9618 or BH-9618C

### Manual Style Rack Bar Locks



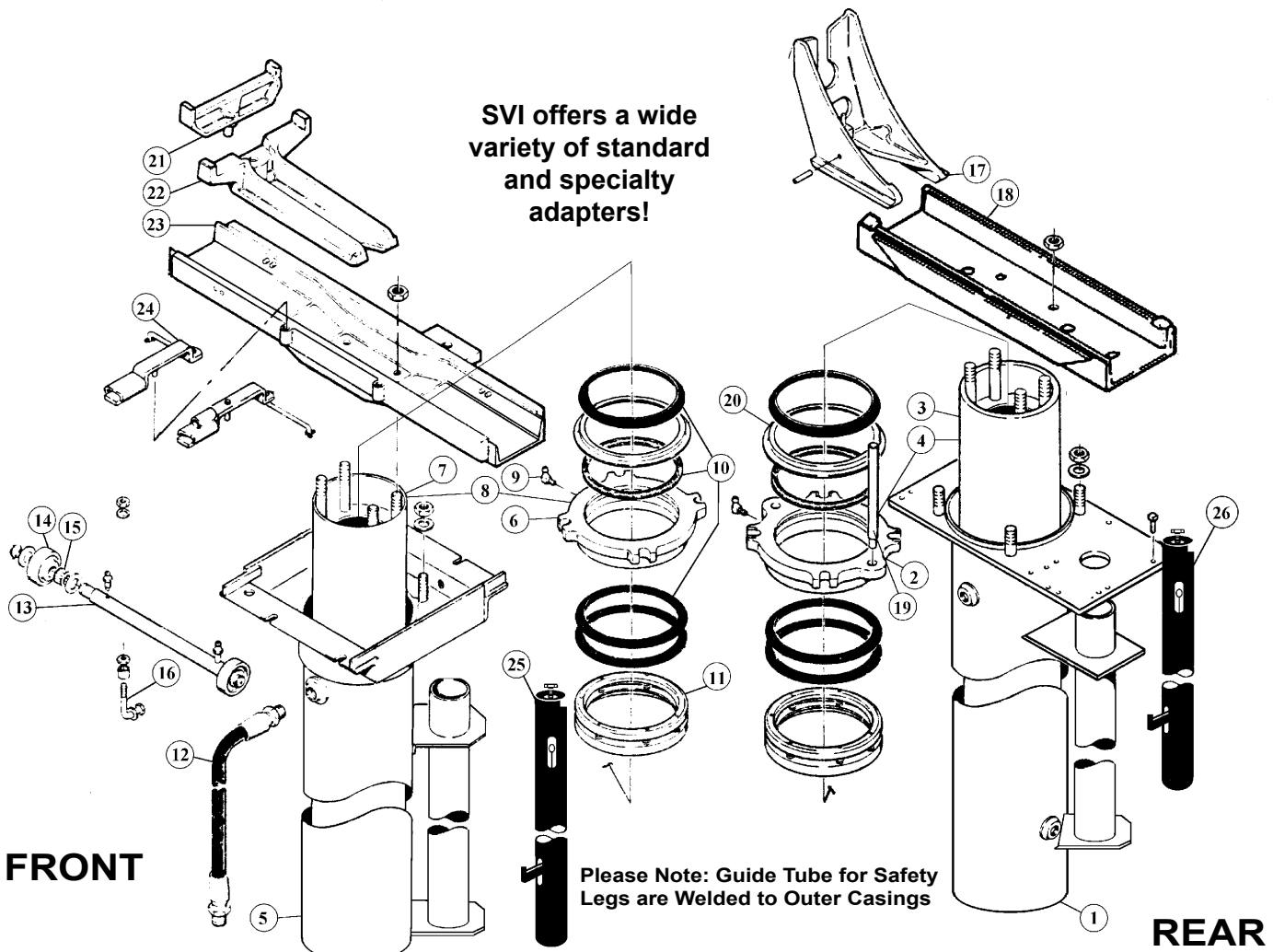
SVI part #	Fits Rack Bar:	Manual Rack Bar Lock for:
BH-9610ML	BH-9610	Side-By-Side Lifts w/ Round Rack Bar
BH-9611ML	BH-9611 & BH-9012	Side-By-Side Lifts w/Rect. Rack Bar
BH-9612ML	BH-9612	Side-By-Side Lifts w/Square Rack Bar



### EC-881 Superstructure

Item	SVI part #	OEM #	Req	Description
	BH-9614-40	AS-24910	1	Left Superstructure
	BH-9614-41	AS-24906	1	Right Superstructure
1	BH-9614-46	AS-23377	4	Sleeve and Adapter Assy
2	BH-9614-47	AS-23375	4	Sleeve Assembly
3	BH-9620-05	M-2139	4	Adapter High Pad
4	BH-9620-06	M-2138	4	Adapter Low Pad
5	BH-9620-03	S-19977	8	Clevis Pin
6	F-RP-125-0625	S-19326	8	Roll Pin
7	BH-9614-44	S-24182	4	Swing Arm
8	BH-9614-43	S-24155	4	Tube
9	BH-9614-45	S-24159	4	Bearing Washer
10	F-RP-375-1500	S-22952	4	Roll Pin
11	F-CS-0875-9-3750	S-24295	4	Capscrew
12	F-LW-0875	S-24296	4	Lock Washer
13	F-CS-0750-10-3500	S-24641	12	Capscrew
14	F-LW-0750	S-3010	12	Lock Washer
15	F-TC-0500-13-1750	S-24297	2	12 Pt. Capscrew
16	F-LW-0500	S-512	2	Lock Washer
17	BH-9614-42	1083056	2	Bolster

# EC100 / 102 / 103, EC202 / 203 Series



**FRONT**

**REAR**

Item	SVI part #	OEM #	Req	Description
1	BH-9670	AS-25673	1	Rear Outer Casing
	BH-9670FG	AS-25673x		Rear Outer Casing, Fiberglass
	BH-9670C	AS-25674		Complete Rear Cylinder Assembly
	BH-9670CFG	AS-25674x		Complete Rear Cyl. Assy. (Fiberglass)
2	BH-9670-01	M-1323	1	Rear Gland/Upper Bearing
3	BH-9670-03	AS-5798	1	Rear Plunger
4	BH-9670-04	KL-180	1	Rear Plunger/Gland Kit
5	BH-9670-05	1086914		Front Outer Casing
	BH-9670-05FG	1086914x		Front Casing - Fiberglass
	BH-9670-05C	1086915		Complete Front Cylinder Assembly
	BH-9670-05CFG	1086915x		Complete Front Cyl. Assy. - Fiberglass
6	BH-9670-06	M-1551	1	Front Gland / Upper Bear.
7	BH-9670-07		1	Front Plunger (Order BH-9670-08)
8	BH-9670-08	KL-179	1	Front Plunger/Gland Kit
9	BH-9670-30	S-13121	2	Grease Fitting
10	BH-1775	KL-161	2	Hoist Packing Kit
	BH-1775S	KL-161		Leak Sealer Packing Kit
11	BH-9650	A-1325	2	Packing Follower
	BH-9650-01	A-1325S		Spring
12	BH-9815	S-7269	1	Hydraulic Hose 3/4"
13	BH-9665-38	AS-26839	2	Axle Assembly - self lube
	<b>BH-9665-38C</b>			<b>Complete Axle Assembly</b> (set of 2 with hardware, does 1 lift)
---	BH-9665-38N	AS-26839	2	Needle Bearing Axle Assy.

Item	SVI part #	OEM #	Req	Description
14	BH-9665-38W	M-1324	4	Axle Assy. Wheel Only
15	BH-9665-38B	S-16422	4	Axle Assy. Bearing Only
	BH-9665-42S	S-26277	4	Spacer
16	BH-9665-42K			J-Bolt Kit
	BH-9665-42	S-25514	4	Axle Assy. J-Bolt
	BH-9665-37	AS-6386		Old Style U-Bolt
	F-HN-0375-16	S595	4	Hex Nut
	F-JN-0375-16	S-1934	4	Jam Nut
	F-LW-0375	S-19909	4	Lockwasher
	BH-9665-39	S-5840	4	Axle Assy. U-Bolt (not pictured)
17	BH-9670-20	M-2277	2	Standard Rear Adapter
18	BH-9670-21	AS-25550	1	Rear Saddle EC-100/102
	BH-9670-21S	AS-15533	1	Rear Saddle-Short*
	BH-9670-86	1085168	1	Rear Saddle EC-202 (AS-25692)
19	BH-9670-23	S-15736	2	Lid Support Rod
20	BH-9670-29	S-5826	2	Wiper Ring Retainer
21	BH-9670-12	A-2057	2	Adapter Extension
22	BH-9670-10	M-2046	2	Front Adapter
23	BH-9670-09	AS-25517	1	Front Saddle
24	BH-9670-11	AS-16624	2	Lever
25	BH-WE-527	AS-25527	1	Front Non-Rotator (1089335)
26	BH-WE-540	AS-25540	1	Rear Non-Rotator (1089338)

\*Short Saddle Replacement for Old "U" Shaped Saddle  
For Special Adapters, please see the Adapter Catalog LRC9680



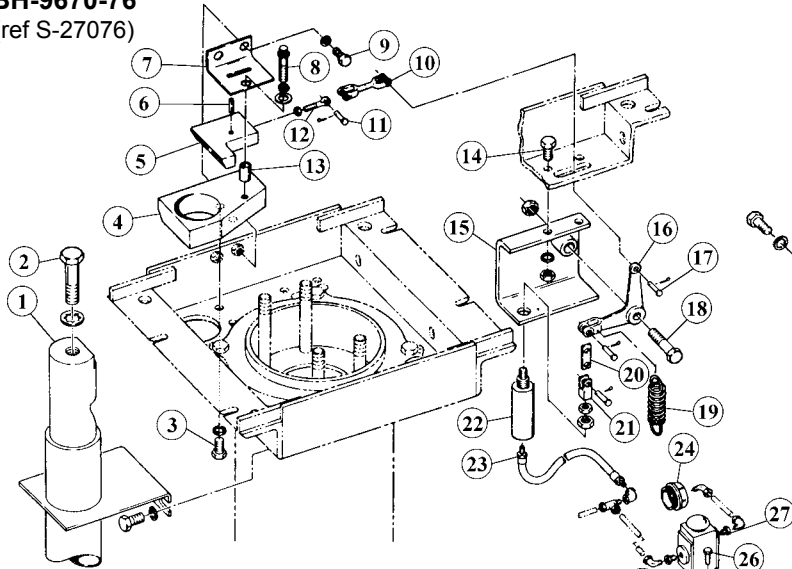


# EC-102 / 103 and EC-202 / 203 Series

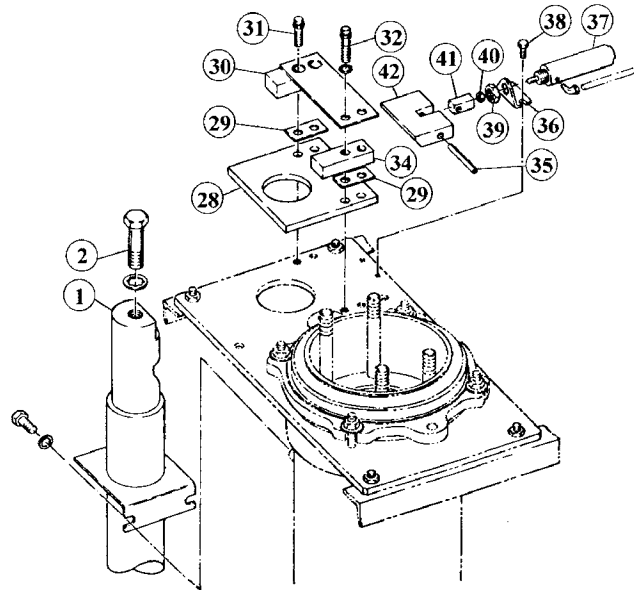
## EC-52B Air Operated Lift Lock System



**BH-9670-76**  
(ref S-27076)

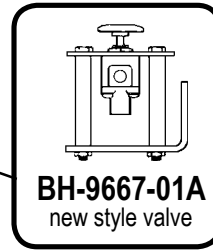


**Front 7-1/2" Plungers**



**Rear 7-1/2" Plungers**

Item	SVI part #	OEM #	Req	Description
1	BH-9667	1080800	2	Solid Steel Lift Leg
2	F-HC-0750-10-2000	S-3535	2	Capscrew
	F-LW-0750	G-103326	2	Lockwasher
3	F-HC-0375-16-0750	S-175	4	Capscrew
4	BH-9670-75	S-27075	1	Block
5	BH-9670-76	S-27076	1	Pawl
6	F-RP-0375-1500	S-15285	1	Roll Pin
7	BH-9670-77	S-27077	1	Guide
8	F-TC-0375-16-1750	S-27069	1	12 pt. Capscrew
	F-LW-0375	S-1325	1	Lockwasher
	F-FW-0375-SAE	S-19909	1	Washer
9	F-HC-0375-16-0750	S-175	4	Capscrew
	F-LW-0375	S-1325	4	Lockwasher
10	BH-9670-78	AS-25509	1	Yoke
11	BH-9670-92	S-25506	2	Pin
12	BH-9670-93	S-25536	1	Eye
13	BH-9670-74	S27074	1	Spacer
14	F-HC-0375-16-1000	S-105	2	Capscrew
	F-LW-0375	S-1325	2	Lockwasher
	F-HN-0375-16	S-595	2	Hex Nut
15	BH-9670-79	AS-25500	1	Hanger
16	BH-9670-80	M-2290	1	Lever
17	BH-9670-92	S-25506	2	Pin
	BH-9665-08	S-380	2	Cotter Pin
18	F-HC-0500-13-2250	S-6559	1	Capscrew
	F-HN-0500-13	S-4694	1	Hex Nut
19	BH-9670-81	S-4716	1	Spring
20	BH-9670-82	S-25504	1	Link
21	BH-9670-83	S-25503	1	Clevis



Item	SVI part #	OEM #	Req	Description
22	BH-9667-02	S-25534	1	Air Cylinder - Front
23	BH-9666-90	S-18336	1	Hose
24	BH-9666-89	S-18326	1	Special Valve Cap
25	<b>BH-9667-01</b>	<b>S-18325</b>	1	<b>Button Valve - 3 Ports</b>
	<b>BH-9667-01RF</b>	<b>S-18325x</b>	1	<b>Lift Lock Button Valve Retrofit Kit</b> (Includes BH-9667-01B Valve, Bracket, and Fasteners)
	BH-9667-01A			New Style - 2 Ports
26	F-HC-0250-20-0750	S-1877	2	Capscrew
	F-HN-0250-20	S-21268	2	Hex Nut
27	BH-9670-84	S-14095	2	Bushing
28	BH-9670-87	S-27057	1	Plate
29	BH-9671-01	S-27056	1	Shim
30	BH-9671-02	AS-27064	1	Guide
31	F-TC-0375-16-1250	S-26833	2	12 pt. Capscrew
32	F-TC-0375-16-1750	S-27069	2	12 pt. Capscrew
	F-LW-0375	S-1325	2	Lockwasher
34	BH-9670-88	S-27061	1	Block
35	F-RP-250-2500	S-22443	1	Roll Pin
36	BH-9670-91	S-25532	1	Mounting Bracket
37	BH-9667-03	S-25502	1	Air Cylinder - Rear
38	F-HC-0250-20-0375	S-9133	2	Capscrew
39	F-JN-0625-18	S-2250	2	Jam Nut
40	F-JN-0312-24	S-7927	2	Jam Nut
41	BH-9666-92	S-27109	1	Clevis
42	BH-9670-89	S-27058	1	Pawl

P  
a  
g  
e  
8

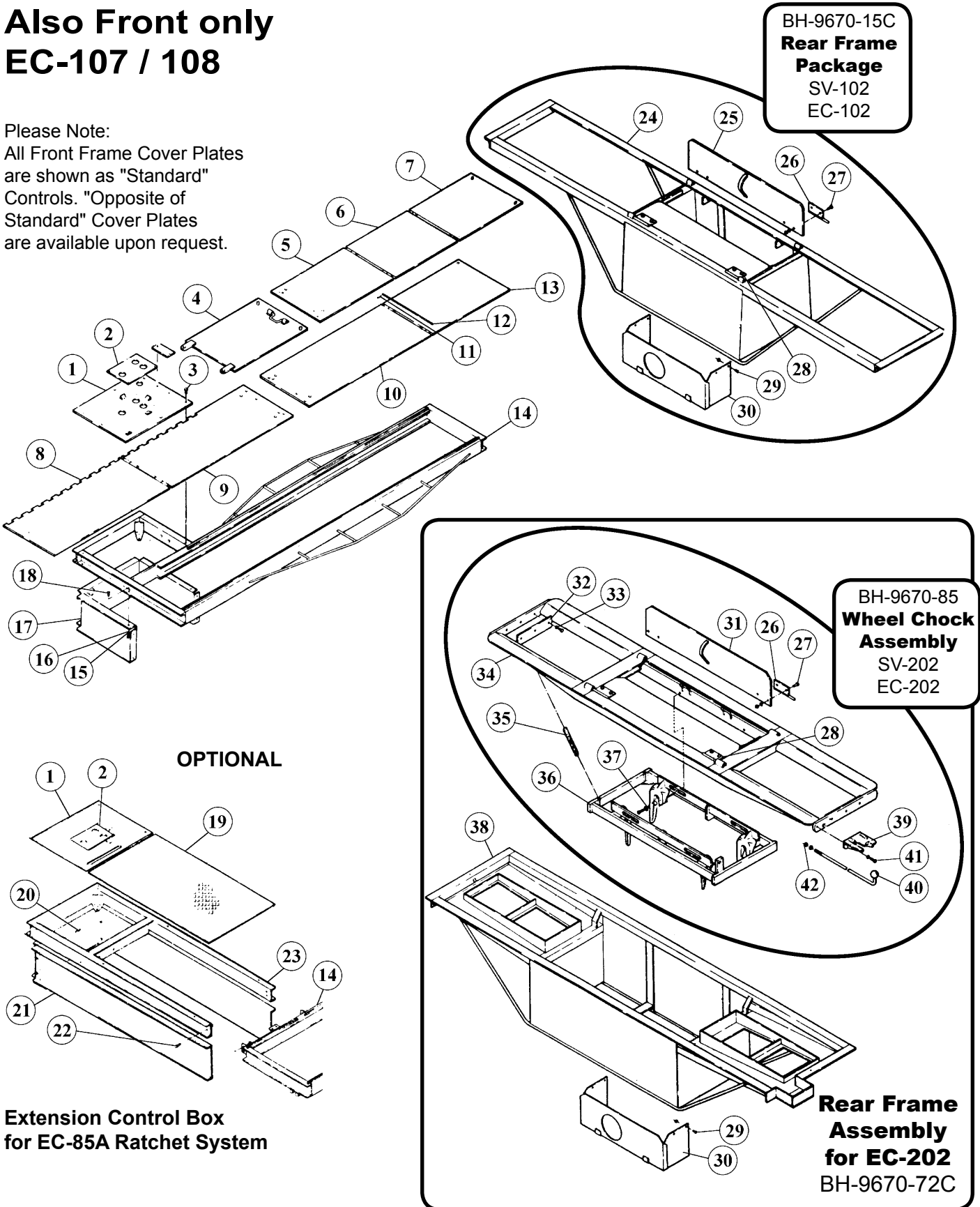


# Frames and Cover Doors EC-100 / 101 / 102 / 103 and EC-202 / 203

## Also Front only EC-107 / 108

**Please Note:**

All Front Frame Cover Plates are shown as "Standard" Controls. "Opposite of Standard" Cover Plates are available upon request.



**Extension Control Box  
for EC-85A Ratchet System**

**BH-9670-85  
Wheel Check  
Assembly**  
SV-202  
EC-202

**BH-9670-15C  
Rear Frame  
Package**  
SV-102  
EC-102

**Rear Frame  
Assembly  
for EC-202**  
BH-9670-72C



# Parts List for Frames and Cover Doors used on EC-100 / 101 / 102 / 103, EC-202 / 203 and Front Only EC-107 / 108

Item	SVI part #	OEM #	Req	Description
1	BH-9670-51	S-25854	1	Cover - EC-102/202
	BH-9670-54	AS-27258	1	Cover - EC-102 w/Ratchet Ext.
	BH-9670-55	S-25855	1	Cover - EC-103
	BH-9670-56	AS-27259	1	Cover - EC-103 w/Ratchet Ext.
	BH-9670-51C	AS-25856	1	Cover Assy - EC-102
	BH-9670-94	AS-25695	1	Cover Assy - EC-202
2	BH-9670-57	S-12260	1	Nameplate (EC-102)
	BH-9670-58	S-12261	1	Nameplate (EC-103)
	BH-9670-59	S-19299	1	Nameplate (EC-202)
3	F-HC-037-24-1000	S-11324	3	Capscrew
4	BH-9670-53	AS-20670	1	36" Carry Around Plate
	BH-9670-53S	AS-20670S	1	Carry Around Plate w/ Notches
	BH-9670-52	AS-20669	1	24" Carry Around Plate
5	BH-9670-60	AS-28038	1	23-5/16" Folding Plate
6	BH-9670-61	AS-28027	1	20-1/16" Folding Plate
7	BH-9670-62	AS-28026	1	19-3/8" Folding Plate
8	BH-9670-42	AS-28018	1	40" Front Sliding Plate
9	BH-9670-41	AS-28017	1	40" Front Cover Plate
10	BH-9670-43	AS-28019	1	40" Rear Cover Plate
11	F-CP-125-0750	S-275	4	Cotter Pin
12	BH-9670-45	S-5977	2	Hinge Pin
13	BH-9670-44	AS-28020	1	24" Rear Sliding Plate
14	BH-9670-40	1081430	1	Front Frame 10' Long - Std.
	BH-9670-40A		1	Front Frame 8' Long - Std.
	BH-9670-40B		1	Front Frame 9' Long - Std.
	BH-9670-40C		1	Front Frame 11' Long - Std.
	BH-9670-40D		1	Front Frame 12' Long - Std.
	BH-9670-40E		1	Front Frame 14' Long - Std.
	BH-9670-39		1	10' Frame - Use with EC-85A
	BH-9670-39A		1	8' Frame - Use with EC-85A
	BH-9670-39B		1	9' Frame - Use with EC-85A
	BH-9670-39C		1	11' Frame - Use with EC-85A
	BH-9670-39D		1	12' Frame - Use with EC-85A
	BH-9670-39E		1	14' Frame - Use with EC-85A
15	F-HN-0250-20	S-21268	4	Hex Nut
16	F-FW-02375-SAE	S-19909	4	Flat Washer

Item	SVI part #	OEM #	Req	Description
17	BH-9670-50	S-5833	1	Control Box Form
18	F-MS-0250-20-1000	S-6656	4	Machine Screw
19	BH-9670-63	S-6417	1	Extension Cover
20	BH-9670-64	S-21292	1	End Panel
21	BH-9670-65	S-21293	2	Side Panel
22	F-HC-0187-16-1000	S-105	4	Capscrew
	F-HN-0187-16	S-595	4	Hex Nut
23	BH-9670-66	AS-15392	1	Extension Frame
24	BH-9670-15	AS-26851	1	Rear Frame (EC-102/103)
25	BH-9670-17	AS-25900	2	Door
26	BH-9667-75	AS-23748	2	Right Hand Hinge
27	F-HC-0250-20-0750	S-21321	8	Capscrew
	F-FW-0250-SAE	S-21318	8	Flat Washer
	F-HN-0250-20	S-21268	8	Nex Nut
28	BH-9667-76	AS-23749	2	Left Hand Hinge
29	F-MS-0250-20-0750	S-6656	4	Machine Sew
	F-HN-0250-20	S-21268	4	Hex Nut
30	BH-9670-16	AS-26611	1	Conduit Form
31-42	BH-9670-85*	AS-23754	1	Wheel Adapter Assembly
31	BH-9670-17L	AS-23702	2	Door (EC-202)
32	BH-9670-67	S-20958	2	Stabilizer Plate
33	F-HC-0375-16-1000	S-22355	6	Capscrew
	F-LW-0375	S-3277	6	Lockwasher
34	BH-9670-68	AS-23757	1	Wheel Adapter
35	BH-9670-69	S-19231	2	Spring
36	BH-9670-70	AS-19236	1	Slide
37	F-FW-0375-SAE	S-14316	4	Washer
	BH-9670-71S	S-19232	4	Spacer
	BH-9670-71R	S-19233	4	Roller
38	BH-9670-72*	AS-26617	1	Rear Frame (EC-202)
39	BH-9670-73	M-2120	1	Shift Lever Bracket
40	BH-9670-90	AS-19234	1	Shift Rod
41	F-HC-0312-18-0750	S-7428	2	Capscrew
	F-LW-0312	S-1882	2	Lockwasher
42	F-HN-0437-14	S-5972	2	Hex Nut

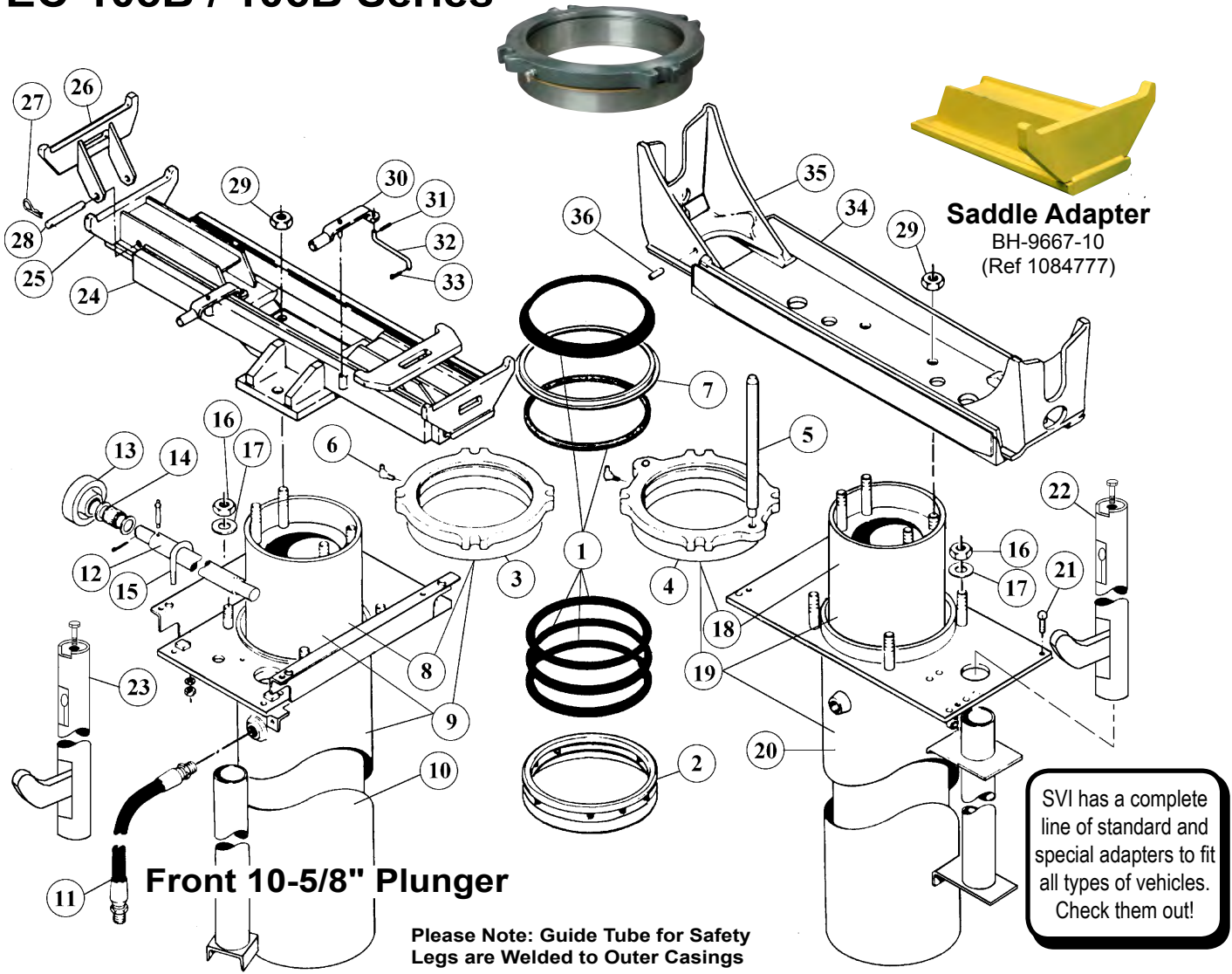
\* Rear Frame is not included in Wheel Adapter Assembly. Please order separately.



Right Hand Hinge  
**BH-9667-75**  
(Ref AS-23748)

Left Hand Hinge  
**BH-9667-76**  
(Ref AS-23749)

# EC-105B / 106B Series



**Front 10-5/8" Plunger**

**Rear 10-5/8" Plunger**

Please Note: Guide Tube for Safety Legs are Welded to Outer Casings

SVI has a complete line of standard and special adapters to fit all types of vehicles. Check them out!

Item	SVI part #	OEM #	Req	Description
1	BH-1776	KL-160	2	Hoist Packing Kit
	BH-1776S	KL-160	2	Leak Sealer Packing Kit
2	BH-9651	AS-11311	2	Packing Follower
3	BH-9667-24ATF	M-1402	1	Gland - Front
4	BH-9667-29ATF	M-1386	1	Gland - Rear
5	BH-9667-30	S-26665	2	Support Rod
6	BH-9667-25	S-13121	2	Grease Fitting
7	BH-9667-28	S-6453	2	Wiper Retainer Ring
8	BH-9667-23	KL-181	1	Plunger, Gland - Front
9	BH-9667-22F	1086919	1	Front Cylinder Assembly
10	BH-9667-32F	1080840	1	Casing - Front
11	BH-9816	S-13876	1	Hydraulic Hose 1"
12	BH-9665-37	AS-6386	2	Axle Assembly - Self Lube
	BH-9665-37N	AS-6386	2	Needle Bearing Axle Assembly
13	BH-9665-37W	M-1401	4	Axle Wheel
14	BH-9665-37B	S-16425	4	Axle Bearing
	BH-9665-37C			Complete Axle Kit (1 Lift)
15	BH-9665-41	S-11320	4	U Bolt for Axle Assembly
16	F-HN-0750-10	S-2350	4	Hex Nut 3/4-10
17	F-FW-0750-SAE	S-6037	4	Washer 53/64 ID
18	BH-9667-33	KL-182	1	Plunger, Gland - Rear

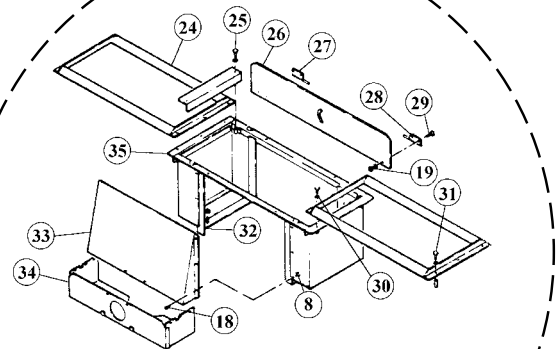
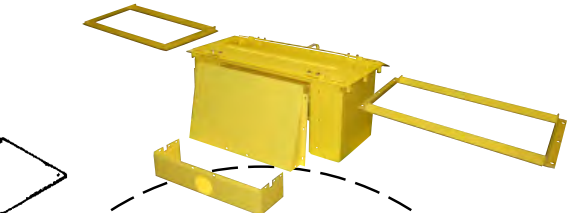
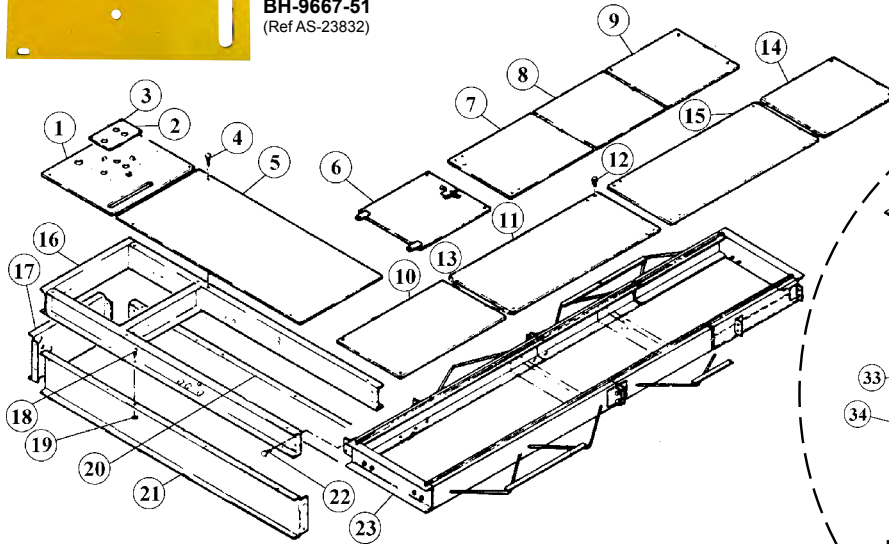
Item	SVI part #	OEM #	Req	Description
19	BH-9667-22	AS-26345	1	Cylinder Assembly - Rear
20	BH-9667-32	AS-26342	1	Casing Only - Rear
21	BH-9667-31	S-1706	2	Set Screw
22	BH-WE-802	1080802	1	Rear Safety Leg (1089344)
23	BH-WE-803	1080803	1	Front Safety Leg (1089341)
24	BH-9667-09	1080846	1	Front Saddle
25	BH-9667-10	1084777	2	Standard Adapter
26	BH-9667-11	1084758	2	Flip Up Adapter Ext.
27	BH-9667-13	1084762	2	Hair Pin Cotter
28	BH-9667-12	1084761	2	Pin
29	F-HN-0750-10	S-2350	2	Hex Nut - 3/4-10
30-33	BH-9667-14	AS-16625	2	Lever Link Assembly
30	BH-9667-15	AS-17614	1	Lever
31	BH-9667-16	S-18894	1	Link
32	F-RP-125-0875	S-14089	1	Roll Pin
33	F-CP-125-0750	S-275	1	Cotter Pin
34-35	BH-9667-19	1080827	1	Rear Saddle Assy. (B Models)
34	BH-9667-21 (39")	1080826	1	Rear Saddle (B Models)
35	BH-9667-20	M-2318	2	Adapter
36	F-RP-375-1500	S-18835	2	Roll Pin 3/8 x 1-1/2



# EC-105 / 106 Series Frames and Cover Doors Also for Rear on EC-107 / 108 Series



Cover for EC-106  
with Nameplate  
BH-9667-51  
(Ref AS-23832)



**Rear Frame Assembly**  
**BH-9667-68C** (EC-105/106)  
**BH-9667-68D**  
(SV-107/108 • EC-107/108)

For Opposite of Standard, recessed frames,  
or special length frames, please call for details.

Item	SVI part #	OEM #	Req	Description
1	BH-9667-52	S-26392	1	Cover for EC-105
	BH-9667-53	S-23829	1	Cover for EC-106 (New Version)
	BH-9667-51J	AS-11164	1	Cover (Old version)
2	BH-9670-57	S-12260	1	Nameplate (EC-105)
	BH-9670-58	S-12261	1	Nameplate (EC-106)
3	F-DS-02-0375	S-4515	1	Drive Screw
1-3	BH-9667-50 or -50P	AS-26393	1	Cover Assembly (EC-105)
	BH-9667-51 or -51P	AS-23832	1	Cover Assembly (EC-106)
4	F-HC-0375-24-1000	S-11324	7	Capscrew
5	BH-9667-54	S-23844	1	Extension Cover Only
	BH-9667-55	AS-28330	1	Control Box & Cover Assembly
6	BH-9667-66	AS-27707	1	Carry Around Plate (21")
	BH-9667-67A	AS-16215	1	Carry Around Plate (30")
	BH-9667-67	AS-20881	1	Carry Around Plate (36")
7	BH-9667-85	1080850	1	Folding Plate (28-3/8")
8	BH-9667-86	AS-27573	1	Folding Plate (24-3/8")
9	BH-9667-87	AS-27575	1	Folding Plate (24")
10	BH-9667-64	AS-27704	1	Front Sliding Plate (36")
11	BH-9667-63	1080848	1	Front Cover Plate (54")
12	F-HC-0500-13-1000	S-722	4	Capscrew
13	BH-9667-62	S-9707	2	Hinge Plate Pin
	F-CP-093-0625	S-1042	4	Cotter Pin
14	BH-9667-65	AS-27706	1	Rear Sliding Plate (24")
15	BH-9667-63	1080848	1	Front Cover Plate (54")
16	BH-9667-56	AS-28320	1	Control Box Front
17	BH-9667-57	AS-27697	1	End Panel
18	F-MS-0250-20-0750	S-6656	28	Machine Screw
19	F-HN-0250-20	S-21268	36	Hex Nut

Item	SVI part #	OEM #	Req	Description
20	BH-9667-58	S-28317	1	Side Panel - Rear
21	BH-9667-59	S-28316	1	Side Panel - Front
22	F-HN-0375-16	S-595	4	Hex Nut
23	BH-9667 (specify length)		1	Standard Front Frame
24	BH-9667-69	AS-27713	2	Wheel Chock
25	F-HC-0375-16-1000	S-105	4	Capscrew
	F-LW-0375	S-1325	4	Lockwasher
26	BH-9667-74	1080865	2	Door 43-1/2" EC-105/106
	BH-9667-74S	1080869	2	Door 37-1/2" EC-107/108
27	BH-9667-75	AS-23748	2	Right Hand Hinge
28	BH-9667-76	AS-23749	2	Left Hand Hinge
29	F-HC-0250-20-0750	S-21321	8	Capscrew
	F-FW-0250-SAE	S-21318	8	Flat Washer
30	F-HC-0500-13-1250	S-7403	6	Capscrew
	F-LW-0500	S-512	6	Lockwasher
31	F-LB-0500-3500	S-27464	6	Lag Bolt
	BH-9667-72	S-18432	6	Washer
	BH-9667-73	S-27463	6	Lag Shield
32	F-HN-0500-13	S-508	3	Hex Nut
33	BH-9667-77	S-26626	1	Front Form
34	BH-9667-78	AS-26624	1	Conduit Form
35	BH-9667-68	1080862	1	Rear Frame EC-105/106
	BH-9667-68C			Rear Frame Assembly-EC-105/106
	BH-9667-68D			Rear Frame Assembly-EC-107/108

\* Control Box Extension is complete with the extension cover excluding valve cover plate. Add "P" for Opposed Covers.

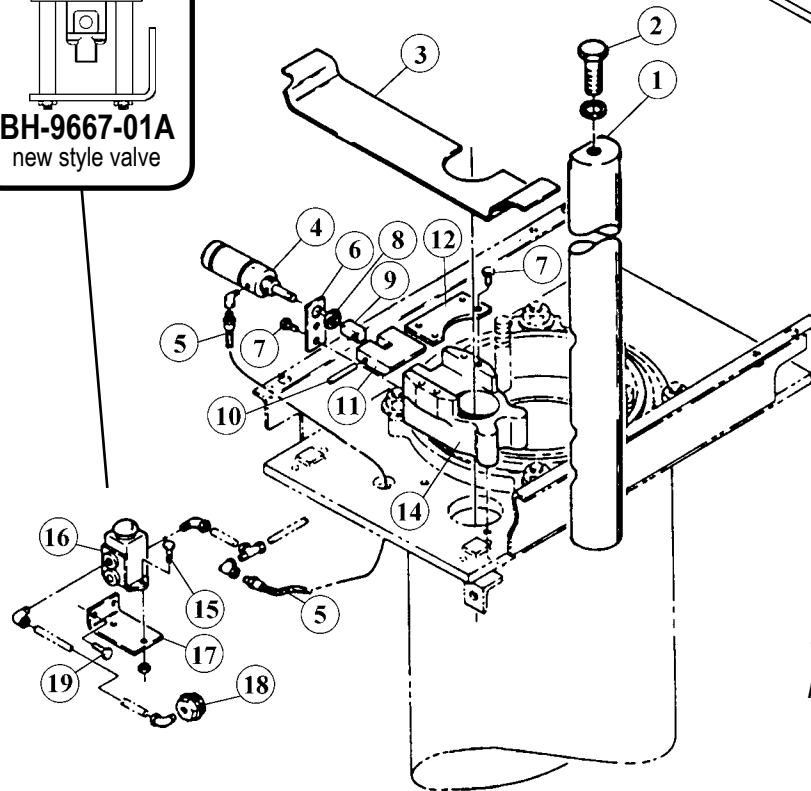
P  
a  
g  
e  
12

# EC-56B Lift Lock System for EC-105 / 106 Lifts

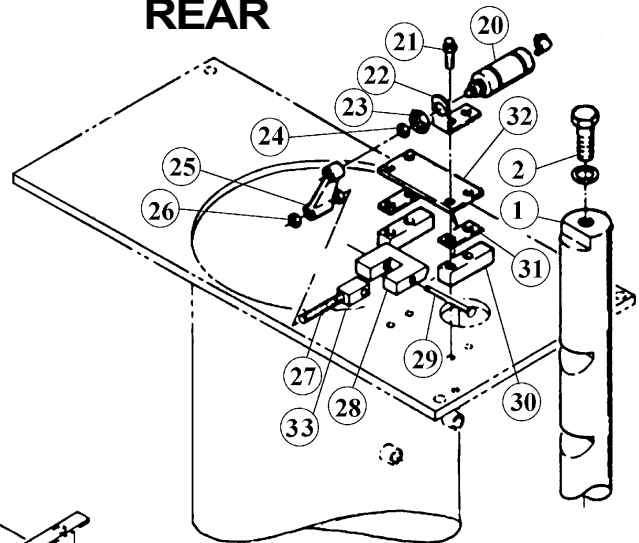
## FRONT

### Complete Front Lock Assembly

SV-56F or BH-9667-96



## REAR



### Complete Rear Lock Assembly

SV-56R or BH-9667-97

### Safety Locks

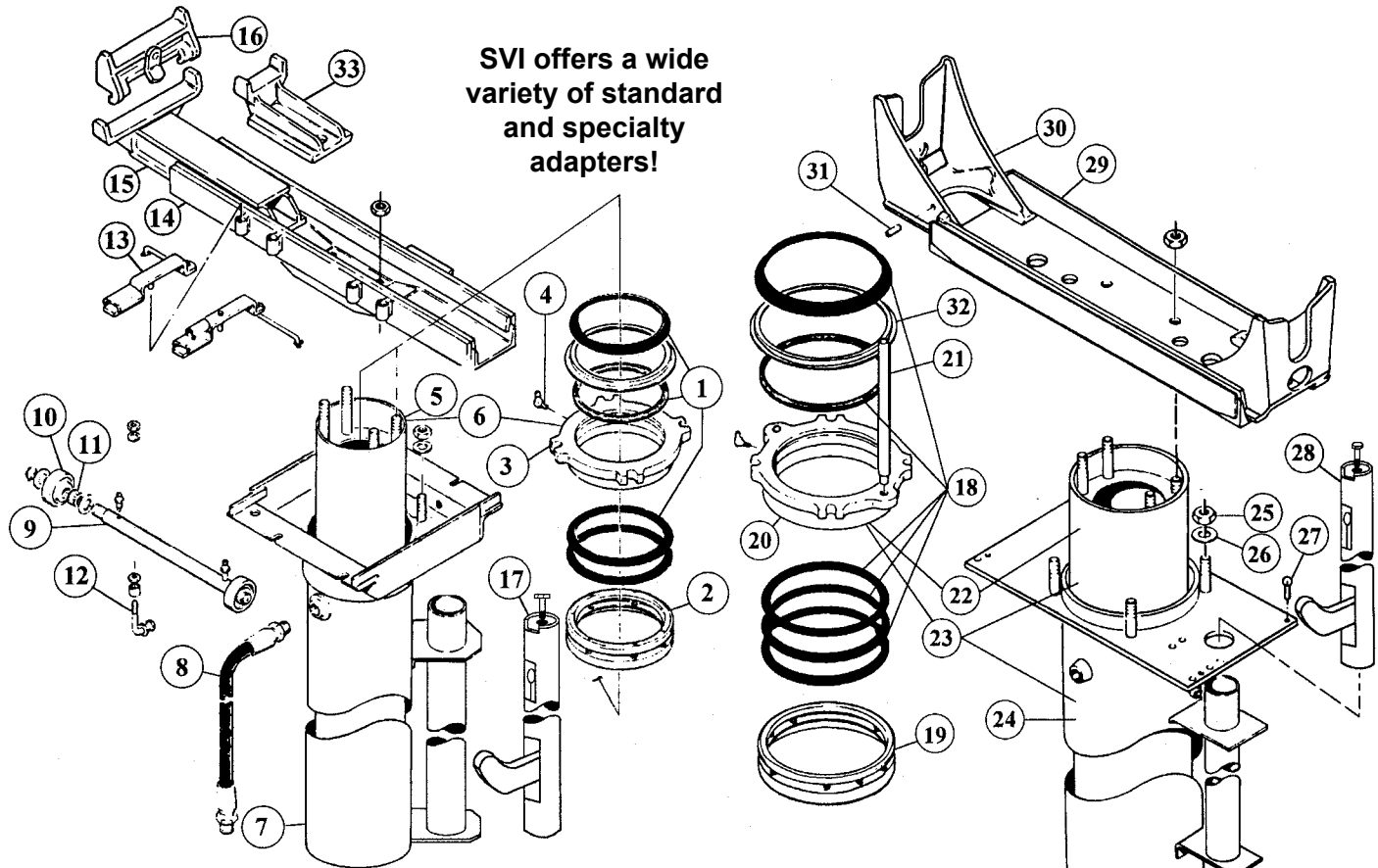
*To upgrade / retrofit, the existing lift must have safety legs. If not, new casings and saddles will be required.*

Item	SVI part #	OEM #	Req	Description
1	BH-9667	1080800	2	Solid Steel Lift Leg
2	F-HC-0750-10-2000	S-3535	2	Capscrew
	F-LW-0750-SAE	G-103326	2	Lockwasher
3	BH-9666-96	1080852	1	Cover Plate
4	BH-9667-03	S-25534	1	Front Air Cylinder
5	BH-9666-90	S-18336	1	Hose
6	BH-9666-91	1080837	1	Bracket
7	F-HC-0312-18-0500	S-2911	6	Capscrew
8	F-JN-0625-18	S-2250	2	Jam Nut
9	BH-9666-92	S-27109	1	Clevis
10	F-RP-250-1750	S-14110	1	Roll Pin
11	BH-9666-93	1080835	1	Front Pawl
12	BH-9666-94	1080836	1	Hold Down
14	BH-9666-95	1080834	1	Leg Housing
15	F-HC-0250-20-0750	S-3975	2	Capscrew
16	BH-9667-01	S-18325	1	Air Valve - 3 Ports
	<b>BH-9667-01RF</b>	<b>S-18325x</b>	1	Lift Lock Button Valve Retrofit Kit (Includes BH-9667-01B Valve, Bracket, and Fasteners)
	BH-9667-01A			New Style - 2 Ports

Item	SVI part #	OEM #	Req	Description
17	BH-9666-88	1080398	1	Bracket
18	BH-9666-89	S-18326	1	Special Valve Cap EC-105
19	F-HC-0375-16-1000	S-105	2	Capscrew
20	BH-9667-02	S-25502	1	Air Cylinder - Rear
21	F-TC-0375-16-1500	S-27368	4	12 pt. Capscrew
22	BH-9666-99	1080814	1	Bracket
23	F-JN-0625-18	S-2250	2	Jam Nut
24	F-JN-0312-24	S-7927	1	Jam Nut
25	BH-9666-98	1080813	1	Bracket
26	F-JN-0312-18	S-1087	3	Jam Nut
27	BH-9666-97	1080815	1	Rod
28	BH-9667-04	1082578	1	Pawl - Rear
29	F-RP-250-2500	S-22443	1	Roll Pin
30	BH-9667-05	S-27228	2	Bottom Plate
31	BH-9667-06	S-27227	2	Shim
32	BH-9667-07	S-27229	1	Top Plate
33	BH-9667-08	1082579		Clevis



# EC-107 / 108 Series 7-1/2" Front Piston and 10-5/8" Rear Piston



For Frames and Cover, please see EC-102/103 Series for the front piston and EC-105/106 Series for the rear piston.

Please Note: Guide Tube for Safety Legs are Welded to Outer Casings

Item	SVI part #	OEM #	Req	Description
1	BH-1775	KL-161	1	Hoist Packing Kit (front)
	BH-1775S	KL-161	1	Leak Sealer Hoist Pkg. Kit
2	BH-9650	A-1325	1	Packing Follower
3	<b>BH-9670-06ATF</b>	<b>M-1551</b>	1	<b>Front Gland Ring</b>
4	BH-9670-30	S-13121	2	Grease Fitting
5	BH-9670-07		1	Front Plunger
6	BH-9670-08	KL-179	1	Front Plunger / Gland Kit
7	BH-9670-05	1086914	1	Front Outer Casing
	BH-9670-05C	1086915	1	Cyl. Assembly
	BH-9670-05CFG	1086915x	1	Cyl. Assembly - Fiberglass
8	BH-9815	S-7269	1	Hydraulic Hose
9	BH-9665-38	AS-26839	2	Axle Assembly - Self Lube
	<b>BH-9665-38C</b>			<b>Complete Axle Assembly</b>
---	BH-9665-38N	AS-26839	2	Needle Bearing Axle Assembly
10	BH-9665-38W	M-1324	4	Replacement Wheel
11	BH-9665-38B	S-16422	4	Replacement Bearing
12	BH-9665-42	S-25514	4	Axle Assembly J Bolt
	BH-9665-42K			J-Bolt Kit
13	BH-9670-11	AS-16624	2	Lever
14	BH-9670-09A	AS-26670	1	Front Saddle
	BH-9670-09C	AS-26670C		Front Saddle & Adapter Package

Item	SVI part #	OEM #	Req	Description
15	BH-9670-10A	AS-17739	2	Standard Adapter
16	BH-9670-12A	A-2086	2	Adapter Extension
17	BH-WE-527	AS-25527	1	Front Non-Rotator
18	BH-1776	KL-160	1	Hoist Packing Kit
	BH-1776S	KL-160	1	Leak Sealer Hoist Pkg. Kit
19	BH-9651	AS-11311	1	Packing Follower
20	BH-9667-29ATF	M-1386	1	Rear Gland Ring
21	BH-9667-30	S-26665	2	Support Rod
22	BH-9667-33	KL-182	1	Plunger/Gland - Rear
23	BH-9667-22	AS-26345	1	Cylinder Assy - Rear
24	BH-9667-32	AS-26345	1	Casing Only - Rear
25	F-HN-0750-10	S-2350	4	Hex Nut 3/4-10
26	F-FW-0828	S-6037	4	Washer 53/64 ID
27	BH-9667-31	S-1706	4	Set Screw
28	BH-WE-802	1080802	1	Rear Non-Rotator
29	BH-9667-21S	1080826	1	Rear Saddle (B Models) 34"
29-30	BH-9667-19S	1080827	1	Rear Saddle Assembly 34"
30	BH-9667-20	M-2318	2	Adapter
	BH-9667-20N	AS-21110	2	Adapter for Axle Obstructions
31	F-RP-375-1500	S-18835	2	Roll Pin 3/8 x 1-1/2
32	BH-9667-28	S-6453	1	Wiper Retainer Ring

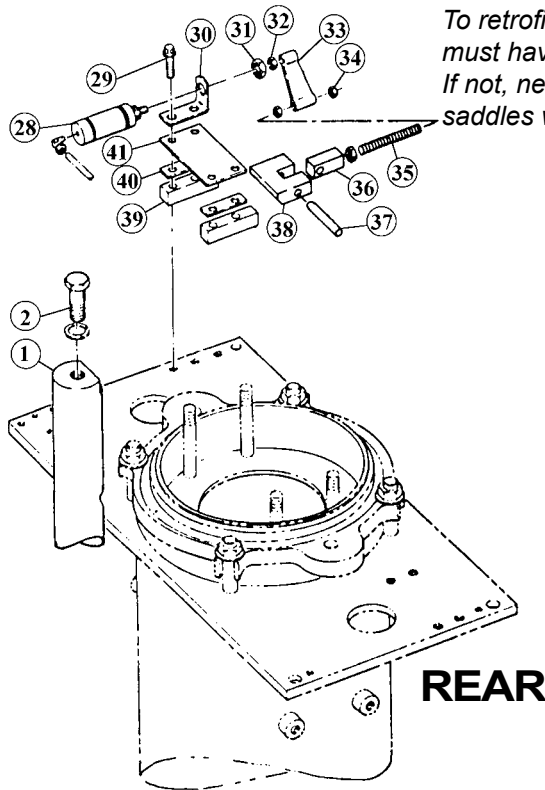
P  
a  
g  
e



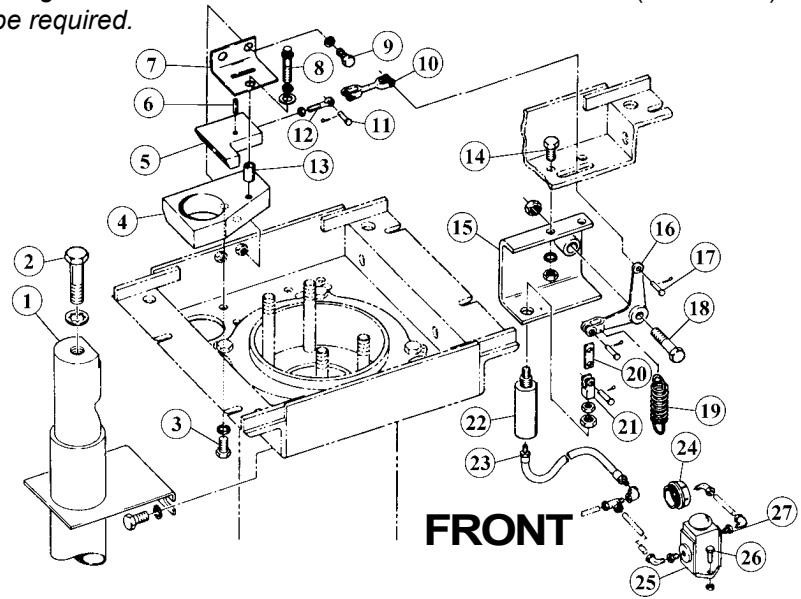
# EC-107 / 108 Series EC-54 Air Operated Lift Lock System



**BH-9670-76**  
(ref S-27076)



To retrofit, the existing lift must have safety legs. If not, new casings and saddles will be required.



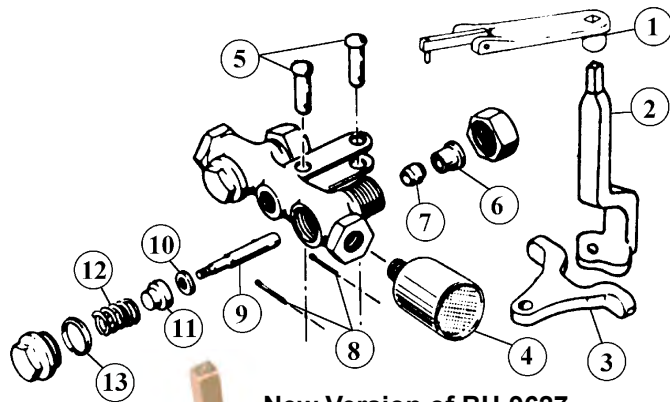
SV-54F Complete Front Lock Assembly  
SV-54R Complete Rear Lock Assembly

Item	SVI part #	OEM #	Req	Description
1	BH-9667	1080800	2	Solid Steel Lift Leg
2	F-HC-0750-10-2000	S-3535	2	Capscrew
	F-LW-0750	G-103326	2	Lockwasher
3	F-HC-0375-16-0750	S-175	4	Capscrew
4	BH-9670-75	S-27075	1	Block
5	BH-9670-76	S-27076	1	Pawl
6	F-RP-0375-1500	S-15285	1	Roll Pin
7	BH-9670-77	S-27077	1	Guide
8	F-TC-0375-16-1750	S-27069	1	12 pt. Capscrew
	F-LW-0375	S-1325	1	Lockwasher
	F-FW-0375-SAE	S-19909	1	Washer
9	F-HC-0375-16-0750	S-175	4	Capscrew
	F-LW-0375	S-1325	4	Lockwasher
10	BH-9670-78	AS-25509	1	Yoke
11	BH-9670-92	S-25506	2	Pin
12	BH-9670-93	S-25536	1	Eye
13	BH-9670-74	S-27074	1	Spacer
14	F-HC-0375-16-1000	S-105	2	Capscrew
	F-LW-0375	S-1325	2	Lockwasher
	F-HN-0375-16	S-595	2	Hex Nut
15	BH-9670-79	AS-25500	1	Hanger
16	BH-9670-80	M-2290	1	Lever
17	BH-9670-92	S-25506	2	Pin
	BH-9665-08	S-380	2	Cotter Pin
18	F-HC-0500-13-2250	S-6559	1	Capscrew
	F-HN-0500-13	S-4694	1	Hex Nut

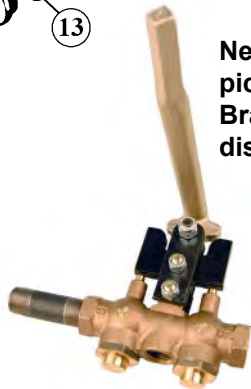
19	BH-9670-81	S-4716	1	Spring
20	BH-9670-82	S-25504	1	Link
21	BH-9670-83	S-25503	1	Clevis
22	BH-9667-03	S-25534	1	Air Cylinder - Front
23	BH-9666-90	S-18336	1	Hose
24	BH-9666-89	S-18326	1	Special Valve Cap
25	BH-9667-01	S-18325	1	Button Valve
	<b>BH-9667-01RF</b>	<b>S-18325x</b>	1	Lift Lock Button Valve Retrofit Kit (Includes BH-9667-01B Valve, Bracket, and Fasteners)
26	F-HC-0250-20-0750	S-1877	2	Capscrew
	F-HN-0250-20	S-21268	2	Hex Nut
27	BH-9670-84	S-14095	2	Bushing
28	BH-9667-02	S-25502	1	Air Cylinder - Rear
29	F-TC-0375-16-1500	S-27368	4	12 pt. Capscrew
30	BH-9666-99	1080814	1	Bracket
31	F-JN-0625-18	S-2250	2	Jam Nut
32	F-JN-0312-24	S-7927	2	Jam Nut
33	BH-9666-98	1080813	1	Bracket
34	F-JN-0312-18	S-1087	3	Jam Nut
35	BH-9666-97	1080815	1	Rod
36	BH-9667-08	1082579	1	Clevis
37	F-RP-250-2500	S-22443	1	Roll Pin
38	BH-9667-04	1082578	1	Pawl - Rear
39	BH-9667-05	S-27228	1	Bottom Plate
40	BH-9667-06	S-27227	2	Shim
41	BH-9667-07	S-27229	1	Top Plate



# Fore and Aft Air Valves and Repair Parts



**New Version of BH-9627 pictured. Original Central Brass version has been discontinued.**



Item	SVI part #	OEM #	Req	Description
	<b>BH-9627</b>	A-1664	1	Floor Mount Air Valve (new style)
1*	BH-9627-01	AS-20940	1	Air Valve Handle
2	BH-9627-02	M-2200	1	Air Valve Crank
3	BH-9625-03	M-2107	1	Rocker Arm
4*	BH-9640	S-20154	1	Muffler
5	BH-9625-04	S-8459	2	Clevis Pin
6	BH-9628-01	S-8453	2	Valve Gland
7	BH-9628-02	S-8454	2	Stem Packing
8	F-CP-093-0750	S-6829	2	Cotter Pin
9	BH-9628-06	S-8472	2	Valve Stem
10	BH-9628-03	S-8461	2	Seat Washer
11	BH-9628-04	S-8462	2	Seat Holder
12	BH-9628-05	S-8463	2	Valve Spring
13	BH-9628-07	S-25697	2	Valve Gasket
6-13	BH-9628		1	Repair Kit

\* Part not included in BH-9627 valve

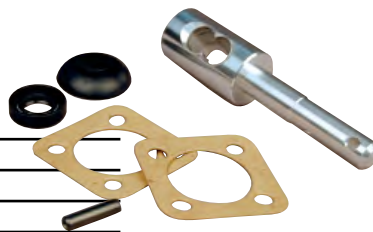
# Fore and Aft Oil Valves and Repair Parts

SVI part #	Description
BH-9629*	Alum. Short Core <b>Kit</b> for One Core
BH-9631*	Alum. Short Feed Core <b>Kit</b>
BH-9630	Alum. Long Core <b>Kit</b> for One Core
BH-9632	Alum. Long Feed Core <b>Kit</b>

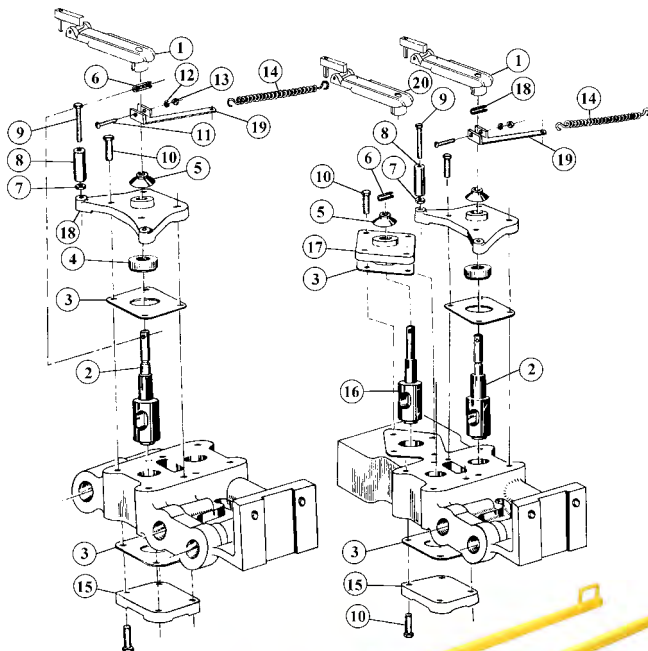
\* Also Available in Brass. Add "B" to Core Number (ex: BH-9629B)

ALL CORES also available in oversize.

Add "/OS" to Part Number (ex: BH-9629/OS)



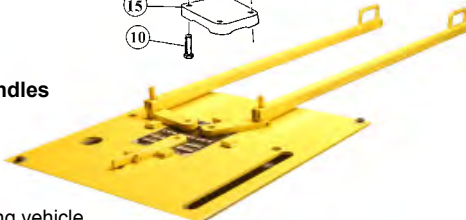
Item	SVI part #	OEM #	Req	Description
1	BH-9638	A-1871	2-3	Oil Valve Handle
2	BH-9629-01	S-11116	2	Short Oil Valve Core (Aluminum)
	BH-9629/OS-1	S-11116OS	2	Short Over Size Core (Aluminum)
or	BH-9630-01	S-11114	2	Long Oil Valve Core (Aluminum)
	BH-9630/OS-1	S-11114OS	2	Long Over Size Core
3	BH-9634	S-11299	4-6	Gasket
4	BH-9635	S-18957	2-3	Stem Seal
5	BH-9636	S-18369	2-3	Protector Cap
6	BH-9637	S-15867	2-3	Roll Pin
7	BH-9629-29	S-7927	1	Hex Nut
8	BH-9629-28	S-11146	1	Stop Hose
9	F-HC-031-24-2250	S12141	1	Capscrew
10	F-HC-031-18-1000	S-1204	7-11	Capscrew
11	F-MS-0010-24-1250	S-11671	2	Machine Screw
12	F-LW-0187	S-7074	2	Lockwasher
13	F-HN-0010-32	S-7483	2	Hex Nut 10-32
14	BH-9633	S-11143	2	Spring
15	BH-9629-35	M-1845	2-3	Valve Cap
16	BH-9631-01	M-1833	1	Short Feed Core (Aluminum)
	BH-9631/OS-1	M-1833OS	1	Short Over Size Feed Core
or	BH-9632-01	M-1833	1	Long Feed Core (Aluminum)
	BH-9632/OS-1		1	Long Over Size Feed Core
17	BH-9629-25	M-2074	1	Flange
18	BH-9629-26	M-2072	2	Flange
19	BH-9629-33	AS-12205	2	Spring Lever
20	BH-9632-09	AAS-11672	1	Control Handle, Feed Core
--	BH-9638-01	SVI Exclusive		Oil Valve Handle for Extension Use
--	BH-9638-02	SVI Exclusive		Oil Valve 42" Extension Handle



### Oil Valve Extension Handles

#### An SVI Exclusive

This allows the operator to comfortably control each cylinder's rise and descent while working on a very long vehicle.





# In-Ground Front & Rear Oil Control Valves

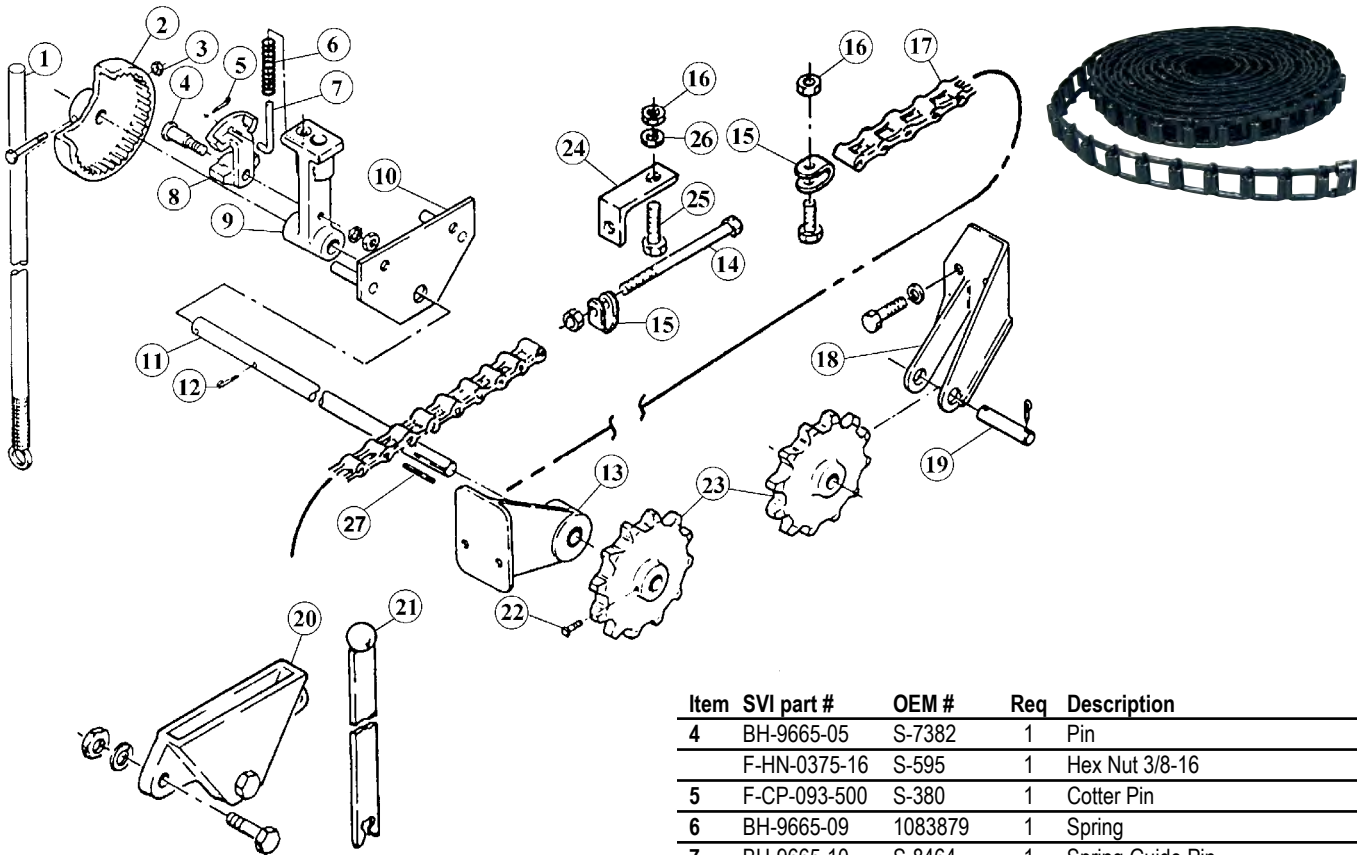
<b>BH-9657</b> <b>No Longer Available</b>	<b>Air Hydraulic</b> Weaver model EC-107 Short Stem-Aluminum (2) BH-9629 Core Kits (1) 3/4" Port to Front (1) 1" Port to Rear (1) 1-1/4" Port to Tank (BH-9805 Series) Bottom Pipe-ONLY <b>USE ALTERNATIVE:</b> (1) BH-9773-49 - 2-Core Oil Valve and (1) BH-9672-88 - Reducing Bushing 1-3/4"	<b>2-Core</b>	<b>Twin Post (7-1/2 Front, 10-5/8 Rear)</b>	WVR-A-1888
<b>BH-9658</b> <b>No Longer Available</b>	<b>Electric-Hydraulic</b> Weaver Model EC-108 Short Stem-Aluminum (2) BH-9629, (1) BH-9631 Core Kits (1) 3/4" Port to Front (1) 1" Port to Rear (2) 1-1/4" Ports to Power Unit <b>USE ALTERNATIVE:</b> (1) BH-9773-50 - 3-Core Oil Valve and (1) BH-9672-88 - Reducing Bushing 1-3/4"	<b>3-Core</b>	<b>Twin Post (7-1/2 Front, 10-5/8 Rear)</b>	WVR-A-1889
<b>BH-9659</b>	<b>Air-Hydraulic</b> Weaver Models EC-100, 102, 202 Short Stem-Aluminum (2) BH-9629 Core Kits (2) 3/4" Ports (one to each cylinder) (1) 1" Port to Tank (BH-9801 Series) <b>USE ALTERNATIVE:</b> (1) BH-9773-49 - 2-Core Oil Valve and (1) BH-9672-88 - Reducing Bushing 1-3/4"	<b>2-Core</b>	<b>Twin Post (7-1/2 Front, 7-1/2 Rear)</b>	WVR-A-1835
<b>BH-9660</b>	<b>Air-Hydraulic</b> Weaver Model EC-105 Long Stem-Aluminum (2) BH-9630 Core Kits (2) 1" Ports (one to each cylinder) (1) 1-1/4" Port to Tank (BH-9804 Series) <b>OR USE ALTERNATIVE:</b> (1) BH-9773-49 - 2-Core Oil Valve and (2) BH-9773-62 - Valve Core Stem Extensions	<b>2-Core</b>	<b>Twin Post (10-5/8 Front, 10-5/8 Rear)</b>	WVR-A-1841
<b>BH-9661</b>	<b>Electric-Hydraulic</b> Weaver Model EC-106 Long Stem-Aluminum (2) BH-9630, (1) BH-9632 Core Kit (2) 1" Ports (one to each cylinder) (2) 1-1/4" Ports to Power Unit <b>OR USE ALTERNATIVE:</b> (1) BH-9773-50 - 3-Core Oil Valve and (3) BH-9773-62 - Valve Core Stem Extensions	<b>3-Core</b>	<b>Twin Post (10-5/8 Front, 10-5/8 Rear)</b>	WVR-A1842
<b>BH-9662</b>	<b>Electric-Hydraulic</b> Weaver Model EC-101, 103, 203 Short Stem-Aluminum (2) BH-9629, (1) BH-9631 Core Kits (2) 3/4" Ports (one to each cylinder) (2) 1-1/4" Ports to Power Unit <b>OR USE ALTERNATIVE:</b> (1) BH-9773-50 - 3-Core Oil Valve and (1) BH-9672-88 - Reducing Bushing 1-3/4"	<b>3-Core</b>	<b>Twin Post (7-1/2 Front, 7-1/2 Rear)</b>	WVR-1889
<b>BH-9656</b>	<b>Electric-Hydraulic</b> Weaver Models EC-106-3, EC-106-3FA Short Stem-Brass (3) BH-9629B, (1) BH-9631B Core Kits (3) 1" Ports (one to each section) (2) 1-1/4" Ports to the Power Unit	<b>4-Core</b>	<b>All Triple Post Lifts</b>	WVR-A-1877





# Manual Ratchet Assembly Components

## For EC-100/102/103 Series, EC-107/108 Series, EC-105/106 Series, MC Modular Concept Series



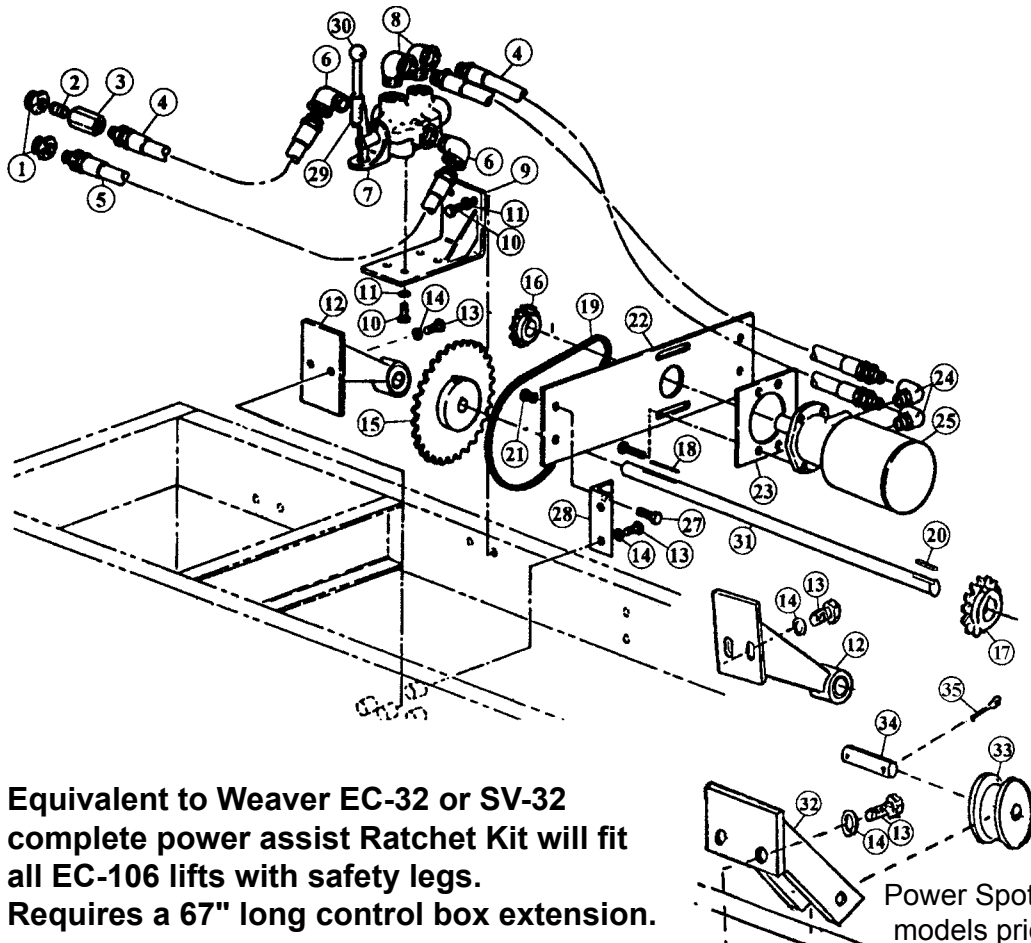
Item	SVI part #	OEM #	Req	Description
2,8	BH-9663		1	Ratchet Wheel and Dog Kit
2-9	BH-9665		1	Ratchet Assembly Repair Kit
1	BH-9665-32	AS-16486	1	Shift Lever
2	BH-9665-02	M-2313	1	Wheel
3	F-HC-0312-18-2250	S-27000	1	Capscrew
	F-HN-0312-18	S-1863	1	Hex Nut 5/16-18

Item	SVI part #	OEM #	Req	Description
4	BH-9665-05	S-7382	1	Pin
	F-HN-0375-16	S-595	1	Hex Nut 3/8-16
5	F-CP-093-500	S-380	1	Cotter Pin
6	BH-9665-09	1083879	1	Spring
7	BH-9665-10	S-8464	1	Spring Guide Pin
8	BH-9665-11	M-2199	1	Dog
9	BH-9665-12	M-2314	1	Dog Lever
10	BH-9665-14	AS-7392	1	Hanger Plate
11	BH-9665-18	S-7387	1	62" Ratchet Shaft 3/4
	BH-9665-19	S-27798	1	59" Ratchet Shaft 3/4
	BH-9665-20	S-28125	1	48-1/2" Ratchet Shaft 3/4
	BH-9665-21	S-15407	1	59-1/4" Ratchet Shaft 3/4
	BH-9665-22	S-21312	1	49-7/8" Ratchet Shaft 3/4
	BH-9665-22L			72" Ratchet Shaft 3/4
	BH-9665-22S			71.44" Ratchet Shaft 3/4
12	BH-9665-27	S-107	1	Cotter Pin
13	BH-9665-17	AS-26408	1	Front Hanger Assembly
14	BH-9665-26	AS-20636	1	Adjusting Bolt
15	BH-9665-24	S7391	2	Chain Fastener
16	F-HN-0500-13	S-508	2	Hex Nut 1/2-13
17	BH-9665-13	S-7381	1	26' Ratchet Chain
18	BH-9665-15	M-1561	1	Hanger (rear)
19	BH-9665-23	S-28216	1	Pin for Sprocket Shaft
20	BH-9665-31	A-1834	1	Shift Lever Socket Assembly
21	BH-9665-16	AS-11039	1	Shift Lever
22	BH-9665-30	S-7221	2	Set Screw for Sprocket
23	BH-9665-28	M-1573/74	2	Sprocket
24	BH-9665-25	S-15408	1	Chain Anchor Lug
25	F-HC-0500-13-1250	S-7403	1	Hex Head Cap Screw
26	F-LW-0500	S-512	1	Lockwasher
27	BH-9665-29A			Key

### Air/Oil Tanks

<b>For EC-184 Single Post Lifts</b>	
BH-9801	36-Gallon Bottom Outlet
BH-9801FG	36-Gallon Fiberglassed Tank
<b>For EC-881/885, 891, 284, 285, EC-102, 202 Series Twin Post Lifts</b>	
BH-9801	36-Gallon Bottom Outlet
BH-9801FG	36-Gallon Fiberglassed Tank
<b>For EC-105 Fore and Aft Lifts</b>	
BH-9804	62-Gallon Bottom Outlet
BH-9804FG	62-Gallon Fiberglassed Tank
<b>For EC-107 Fore and Aft Lifts</b>	
BH-9805	47-Gallon Bottom Outlet
BH-9805FG	47-Gallon Fiberglassed Tank

# Power Assisted Ratchet Systems for all Fore and Aft Lifts



Equivalent to Weaver EC-32 or SV-32 complete power assist Ratchet Kit will fit all EC-106 lifts with safety legs. Requires a 67" long control box extension.

Power Spot may not fit models prior to 1974.

Item	SVI part #	OEM #	Req	Description
1	BH-9675-21	S-27981	2	Reducer Bushing
2	BH-9675-20		1	Long Hex Pipe Nipple
3	BH-9675-18	1083972	1	Filter
4	BH-9675-15	S-27973	3	Hose Assembly 20"
5	BH-9675-16	S-27974	1	Hose Assembly 29"
6	BH-9675-23	S-27975	2	Pipe Reducing Bushing
7	BH-9675-11	AS-28014	1	Control Valve Assembly
8	BH-9675-22	S-5865	2	Street Elbow
9	BH-9675-09	AS-27696	1	Bracket
10	F-HC-0375-16-0750	S-175	10	Hex Head Cap Screw
11	F-LW-0375		10	Lock Washer
12	BH-9675-04	AS-26850	2	Hanger Assembly 1"
	BH-9675-04A		2	Hanger Assembly 3/4"
13	F-HC-0500-13-1000	S-722	12	Hex Head Cap Screw
14	F-LW-0500	S-512	16	Lock Washer
15	BH-9675-02	S-27302	1	Sprocket 1" ID 60T
	BH-9675-02A		1	Sprocket 3/4" ID 60T
16	BH-9675-03	S-27301	1	Sprocket 1" ID 15T
	BH-9675-03A		1	Sprocket 3/4" ID 15T
17	BH-9765-04	FD70-11	1	Sprocket

Item	SVI part #	OEM #	Req	Description
18	BH-9675-05B		1	Square Key 1/4" x 3-1/4"
	BH-9675-05C		1	Square Key 3/16" x 3-1/4"
19	BH-9675-01	1087511	1	1/2" Pitch Chain
20	BH-9675-05A		1	1/4" Square Key
	BH-9675-05D		1	3/16" Square Key
21	F-HN-0500-13	S-508	4	Hex Nut
22	BH-9675-06	S-23831	1	Plate
23	BH-9675-17	S-27977	1	Motor Plate
24	BH-9675-19	S-23339	2	Female Elbow
25	BH-9675-14	S-26685	1	Hydraulic Motor
27	F-HC-0500-13-1250	S-7403	4	Hex Head Cap Screw
28	BH-9675-07		2	Extension Bracket
29	BH-9675-12		1	Handle Valve Mount
30	BH-9675-13		1	Handle
31	BH-9675-05		1	Ratchet Shaft 1"
	BH-9675-05E		1	Ratchet Shaft 3/4"
32	BH-9675-08		2	Sprocket Hanger (old)
	BH-9665-15	M-1561	2	Sprocket Hanger (new)
33	BH-7230-30	1086220	2	2-3/4" Chain Roller 3/4" Bore
34	BH-9665-23	S-28216	2	Sprocket Shaft
35	F-CP-125-1500		4	Cotter Pin

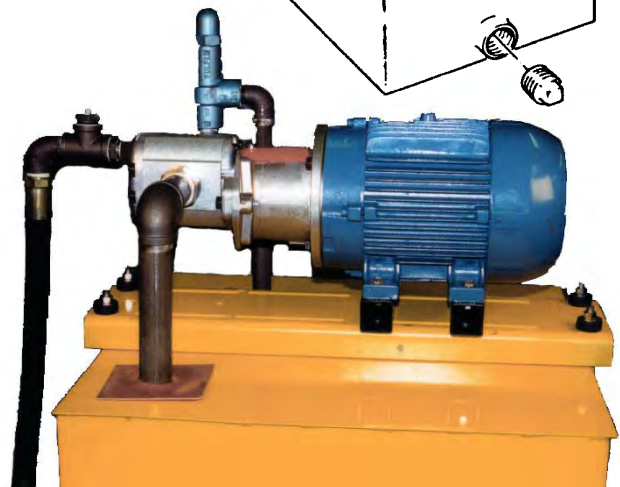
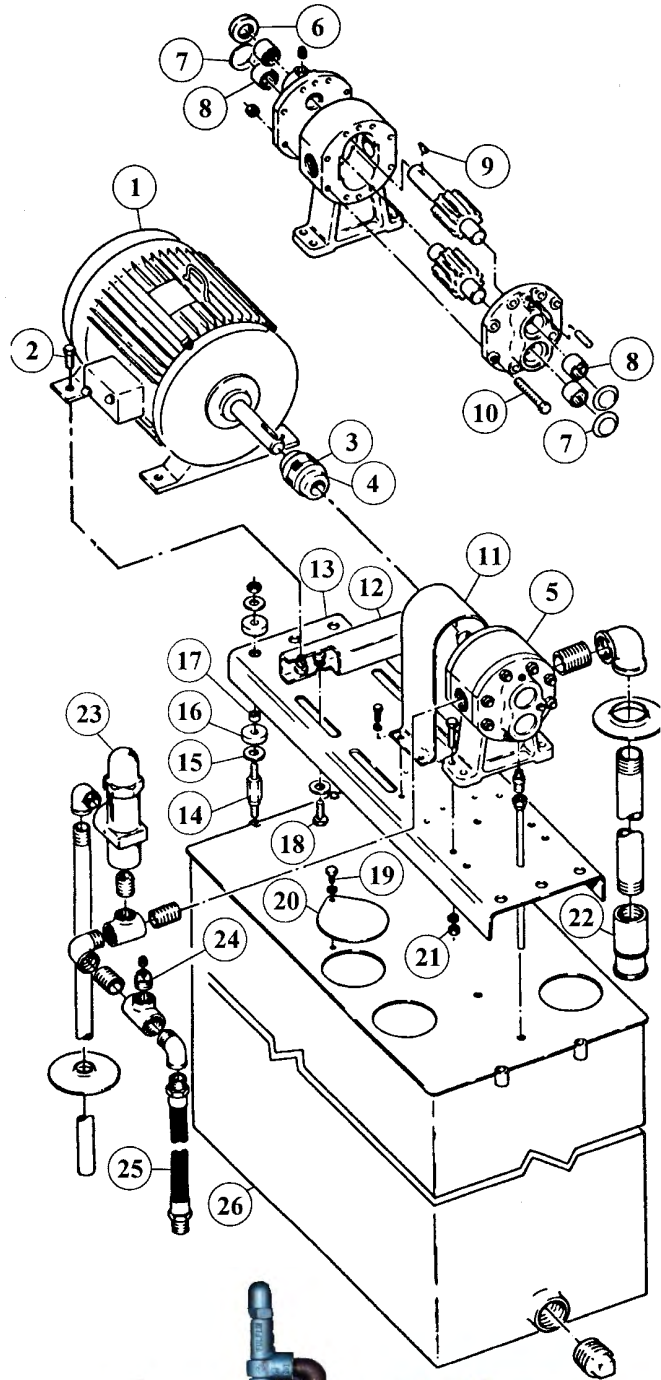
Please specify 3/4" or 1" Shaft as certain items are not interchangeable.



# Hydraulic Power Unit

Item	SVI part #	OEM #	Req	Description
1	BH-9672-11 (NLA)		1	Electric Motor
2	F-HC-0375-16-1000	S-105	4	Capscrew
	F-LW-0375	S-3012	4	Lockwasher
	F-HN-0375-16	S-595	4	Hex Nut
3	BH-9672-04A		1	Coupling (1" Shaft)
	BH-9672-04B		1	Coupling (1-3/8" Shaft)
4	BH-9672-04C	S-8547	1	Fiber Spider
5	BH-9672-01	AS-14418	1	Pump Assembly Weaver Equiv.
	BH-9672-01W*	KL-375	1	Pump Assembly Retrofit
6	BH-9672-13	S-14823	1	Oil Seal for OEM Pump
7	BH-9672-14	S-11831	3	Welsh Plug for OEM Pump
8	BH-9672-15	S-22390	3	Bearing for OEM Pump
9	BH-9672-16	S-2347	1	Woodruff Key
10	F-HC-0375-24-4500	S-14419	8	Capscrew
	F-HN-0375-24	S-7573	8	Hex Nut
11	BH-9672-17	S-14827	1	Shield
12	BH-9672-18	S-15529	1	Motor Support
13	BH-9672-19	S-19673	1	Motor Support Frame
14	BH-9672-20	S-19674	4	Mounting Stud
	F-HN-0500-13	S-12540	4	Hex Nut
15	F-FW-0562	S-1565	8	Washer
16	BH-9672-22	S-15655	4	Damper
17	BH-9672-21	S-18999	8	Spacer
18	F-HC-0500-13-1250	S-3291	1	Capscrew
	F-LW-0375	S-512	1	Lockwasher
	F-HN-0500-13	S-12540	1	Hex Nut
19	F-HC-0375-16-0750	S-175	1	Capscrew
	F-LW-0375	S-3277	1	Lockwasher
20	BH-9672-23	S-11318	1	Hole Cover
21	F-HC-0500-13-1750	S-700	1	Capscrew
	F-LW-0500	S-512	1	Lockwasher
	F-HN-0500-13	S-12540	1	Hex Nut
22	BH-9672-10	AS-20957	1	Foot Valve
23	BH-9672-03W	AS-22533	1	Pressure Relief Valve**
	BH-9672-03R			Pressure Relief Valve 1.25
	BH-9672-03HP			Also available - 300-500 PSI
24	BH-9672-09	S-15461	1	Gauge Outlet Plug
25	BH-9672-07W	S-13801	1	Hose
26	BH-9672-61	AS-19685	1	120-Gallon Reservoir (EC-61)
	BH-9672-62	AS-19690	1	170-Gallon Reservoir (EC-62)
	BH-9762-60		1	60-Gallon Aux. Reservoir

\* Our Pump requires the use of BH-9672-02 mounting base. Must use BH-9672-01W when replacing original pump.  
 \*\* Proper Pressure must be stamped on pressure relief valve.  
 Specify Horsepower, Voltage, Current & Frame Size when Ordering Complete Pumping Unit



**New style SVI  
 power unit pictured  
 SV-61-1  
 SV-62-1**

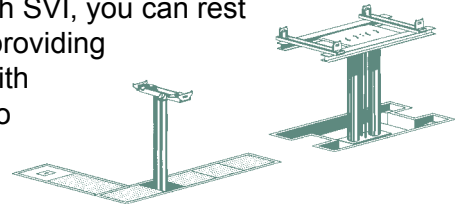
# Complete Heavy Duty Lifts

**25,000 Lb. capacity  
12-5/8" Rear ready  
for shipment**



This tandem axle engaging superstructure for use on our always available 12-5/8" cylinder assemblies is another example of SVI's heavy duty lift capabilities. Many municipalities and large road construction fleets employ the use of tandem axle vehicles.

SVI has the lifts and the superstructures to help you provide sound lifting solutions. SVI heavy duty lifts are made to last a lifetime. And, they are all built with sound engineering principles in mind. Leave all the funky new fangled designs that have not yet proven themselves out to others. With SVI, you can rest assured you are providing your customers with products proven to last and built by a company that will support their purchase for many years to come. SVI does not discontinue repair parts for lifts. Rather, repair parts and sound lifting solutions remain available again, forever.



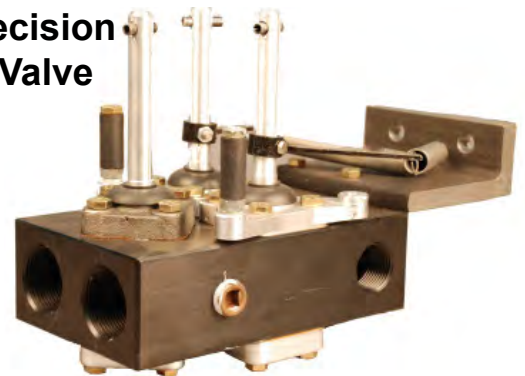
**SVI produces a wide variety of Heavy Duty Vehicle Lifts. Put SVI Power Post Lifting Systems to work today.**

**Make it SVI for heavy duty lift solutions!**



**36,000 Lb. capacity  
10-5/8" Dual Rear  
Pictured**

**High Precision  
Control Valve**







# Front Plunger Adapters for Weaver Fore and Aft Lifts

**Custom Adapters Available!**  
**Call for a quote!**

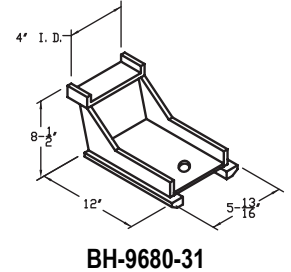
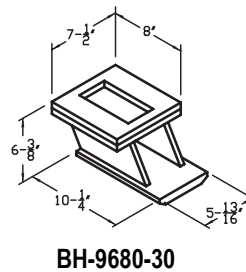
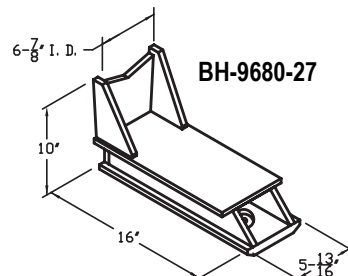
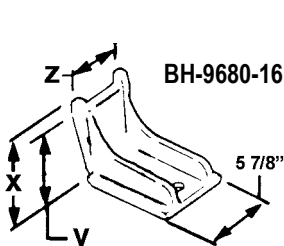
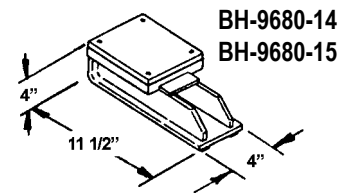
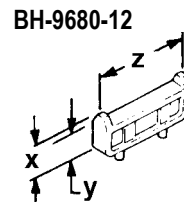
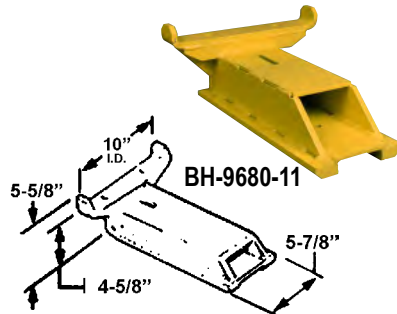
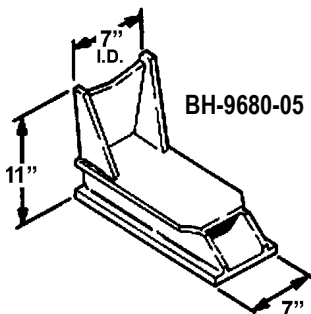
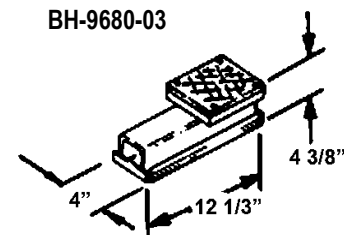
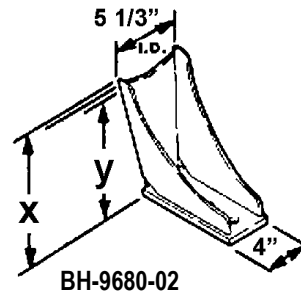
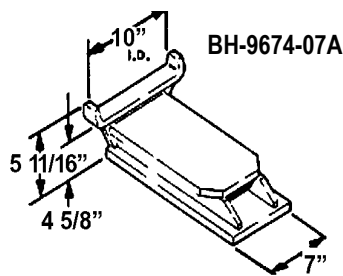
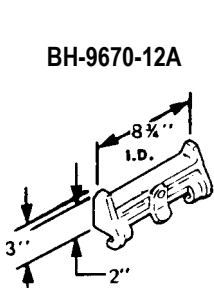
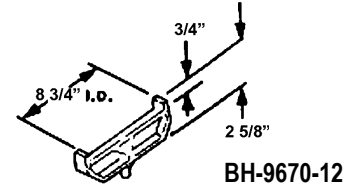
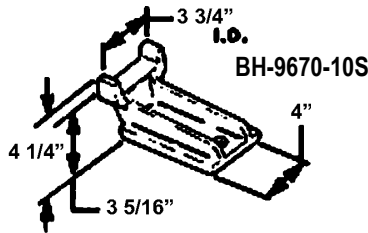
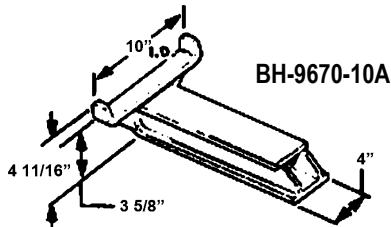
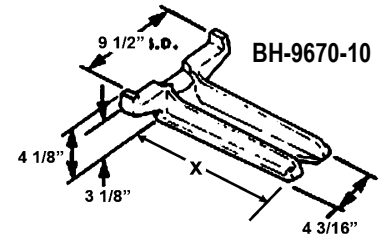
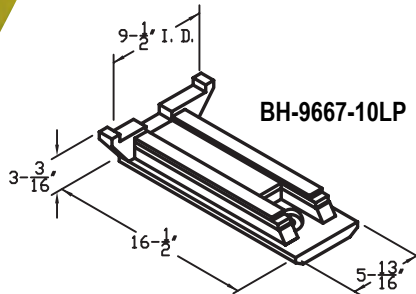
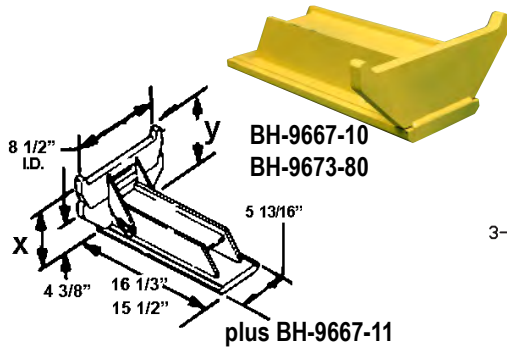
*See the following page for images of Front Plunger Adapters*

SVI part #	Description	Ref. OEM	Used on Lift Model	x	y	z
BH-9667-10	New Style Front Adapter Assembly	1084777 KL-266	EC-105/106 / 10-5/8" Front Plungers			
BH-9667-10LP	Front Adapter 4" Tall Low Profile		EC-105/106 / 10-5/8" Front Plungers			
BH-9667-11	Extra Height Adapter Insert Flip-Up 3-3/4"	1084758 KL-266	Insert for SVI # BH-9667-10	7-3/8	8-1/4	
BH-9667-11A	Extra Height Adapter Insert Flip-Up 4-1/2"	1084768	Insert for SVI # BH-9667-10	8-1/8	9	
BH-9667-11B	Extra Height Adapter Insert Flip-Up 5-3/8"		Insert for SVI # BH-9667-10	9	9-7/8	
BH-9667-11C	Extra Height Adapter Insert		Insert for SVI # BH-9667-10	10-5/8	11-1/2	
BH-9670-10	Standard Front Adapter for use with 35-1/4" saddle	M-2046	EC-100/102/103/202/203 / 7-1/2" Front Plungers	14-3/8		
BH-9670-10A	Standard Front Adapter for Independent Suspensions	AS-17739	EC-107/108 / 7-1/2" Front Plungers			
BH-9670-10L	Adapter - 2" Longer	M-2046	EC-100/102/103/202/203 / 7-1/2" Front Plungers	16-3/8		
BH-9670-10S	Standard Front Adapter for Straight Axles	M-2263	All / 7-1/2" Front Plungers			
BH-9670-12	Standard Front Adapter Insert	A-2057	For SVI Part # BH-9670-10			
BH-9670-12A	Front Adapter Insert for EC-107/108	A-2086	For SVI Part # BH-9670-10A			
BH-9673-80	Standard Front Adapter for 12-5/8" Moveable Posts	KL-318 1084006	MC-320/321 / 12-5/8" Front Plungers			
BH-9674-07A	Standard Front Adapter for 10-5/8" Dual Front Plungers	AS-18717	MC-306/308 / EC-106-4 Dual Front			
BH-9680-02	Special Front Adapter for Four Wheel Drive Vehicles	AS-12241 KL-124	All Models / 7-1/2" Front Plungers	9-1/8	8-1/4	
BH-9680-02A	Special Front Adapter for Four Wheel Drive Vehicles 10-5/8"		All Models / 10-5/8" Front Plungers	11-5/8	10-3/4	
BH-9680-03	Special Front Pad Adapters	1083023 KL-249	EC-102/103/203 / 7-1/2" Front Plungers			
BH-9680-03	Special Front Pad Adapters	1083023 KL-249	EC-102/103/203 / 7-1/2" Front Plungers			
BH-9680-05	Four Wheel Drive Adapter for 10-5/8" Dual Front Plungers	AS-20182	MC-306/308 / Dual Front Plungers			
BH-9680-11	Old Style Front Adapter	M-2152	EC-193/194/196/197/105/106 / 10-5/8" Front Plungers			
BH-9680-12	Old Style Height Extension 4"	AS-20702	For SVI Part # BH-9680-11	4	3	8-3/4
BH-9680-12-5	Old Style Height Extension 5"	AS-20702x	For SVI Part # BH-9680-11	5	4	9
BH-9680-14	Special Front Pad Adapters	1086270 KL-273	EC-107/108 / 7-1/2" Front Plungers			
BH-9680-15	Replacement Rubber Pads		EC-107/108 / 7-1/2" Front Plungers			
BH-9680-16	Special Old Style Straight Axle Adapter	2202	EC-105/106 / 10-5/8" Front Plungers KL-265	6-3/4	5-3/4	4
BH-9680-16-SPL	Special 9" Tall 5" Wide Top		EC-105/106 / 10-5/8" Front Plungers	9	8	5
BH-9680-16T	Special Old Style Straight Axle Adapter - 1-1/2" taller	2202x	EC-105/106 / 10-5/8" Front Plungers	8	7	4
BH-9680-27	Special Front Adapter 10" High Clearance		10-5/8" Front Plungers			
BH-9680-30	10-5/8" Front or Rear <b>Moveable</b> Adapter		10-5/8" Front Plungers			
BH-9680-31	Special Straight Axle Adapter Extended R & A		10-5/8" Front Plungers			

P  
a  
g  
e

# Front Plunger Adapters for Weaver Fore and Aft Lifts (continued)

Need a custom adapter?  
Call for a quote!!



Please Note: Where the O.E.M. number is a KL number or an EC number this indicates a kit with two or more of the components listed. SVI sells these adapters individually. Please order the quantity needed using the SVI part number or call SVI for assistance.



**Custom Adapters Available! Call for a quote!**

## Rear Plunger Adapters for Weaver Fore and Aft Lifts

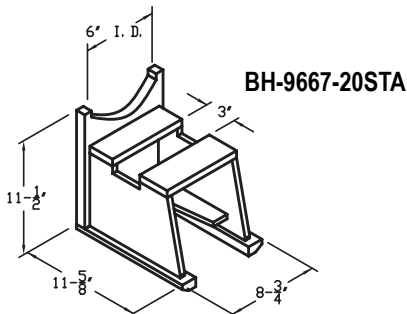
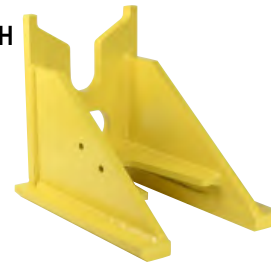
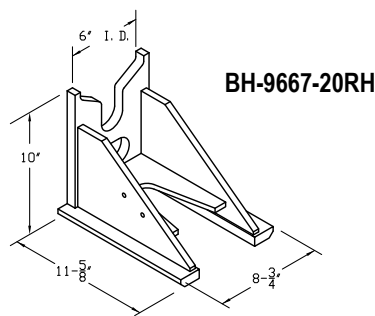
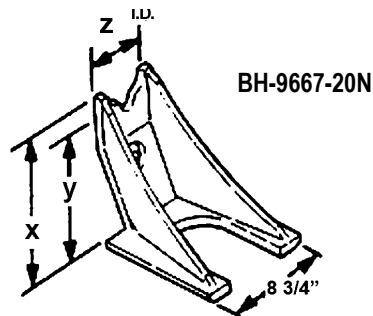
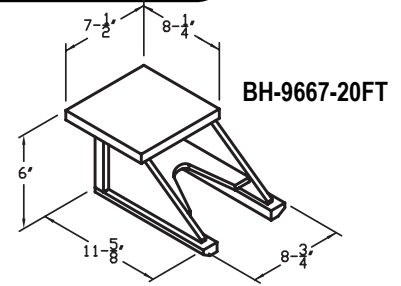
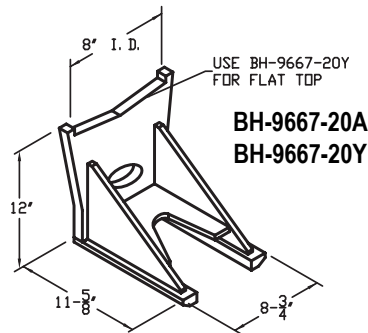
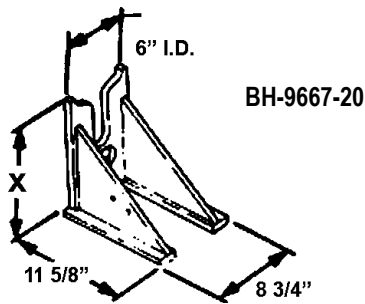
See the following two pages for images of Rear Plunger Adapters

SVI part #	Description	Ref. OEM	Used on Lift Model	x	y	z
BH-9667-20	Standard Rear Adapter	M-2318	EC-107/108, EC-105/106 10-5/8 Plungers	12		
BH-9667-20A	Rear Adapter 1977 Series	M-2318	EC-107/108, EC-105/106 10-5/8 Plungers			
BH-9667-20RH	Rear Adapter 10" Tall - Reduced Height	M-2318X	EC-107/108, EC-105/106 10-5/8 Plungers			
BH-9667-20FT	Rear Adapter with Flat Top		EC-107/108, EC-105/106 10-5/8 Plungers			
BH-9667-20N	Special Rear Adapter for Close to Axle Obstructions	AS-21110	EC-107/108, EC-105/106 MC-302/303 10-5/8 Plungers	10-5/8	10	4
BH-9667-20NT	Special Rear Adapter for Close to Axle Obstructions Narrow - 12" Tall		EC-107/108, EC-105/106 10-5/8 Plungers	13-3/4	11-7/8	5
BH-9667-20NTW	Special Rear Adapter for Close to Axle Obstructions Narrow, Taller, Wider		EC-107/108, EC-105/106 10-5/8 Plungers	12	11-1/2	5-1/4
BH-9667-20STA	Rear Adapter for Sterling Tandem Axle		EC-107/108, EC-105/106 10-5/8 Plungers			
BH-9667-20T	Rear Adapter 16" OAH		EC-107/108, EC-105/106 10-5/8 Plungers	16		
BH-9667-20TR	Rear Adapter 13-3/8" OAH		EC-107/108, EC-105/106 10-5/8 Plungers	13-3/8		
BH-9667-20TRF	Rear Adapter 12-5/8" OAH		EC-107/108, EC-105/106 10-5/8 Plungers	12-5/8		
BH-9667-20TS	Rear Adapter 14-1/2" OAH HD Support		EC-107/108, EC-105/106 10-5/8 Plungers	14-1/2		
BH-9667-20Y	Rear Adapter 9" OAH Flat Across		EC-107/108, EC-105/106 10-5/8 Plungers			
BH-9670-20	Standard Rear Adapter	M-2277	All / 7-1/2" Front Plungers			
BH-9670-20A	Standard Rear Adapter		All / 7-1/2" Front Plungers			
BH-9673-43	Sliding Adapter for H Frame	1084848	MC-335			
BH-9680-04	Special Rear Wheel Adapter	AS-27691 EC-147A	All / 7-1/2" Front Plungers	34-5/8		
BH-9680-04L	Special Rear Wheel Adapter - 6" Longer		All / 7-1/2" Front Plungers	41-1/4		
BH-9680-06	Special Adapter for Transit Coaches - 12-5/8" Recess	KL-241 1082653	EC-105/106 MC-302/307/330			
BH-9680-07	Insert for BH-9680-06	1082656	EC-105/106 MC-302/307/330			
BH-9680-08	Special Rear Adapter for Under Axle Obstructions	AS-13530 KL-135	EC-105/106 MC-302 10-5/8" Plungers			
BH-9680-09	Special Wide Adapter	AS-18585	EC-106DR, MC-307 10-5/8" Dual Plungers	12	8	
BH-9680-09A	Special Wide Adapter 12" OAH x 9" OAW		EC-106DR, MC-307 10-5/8" Dual Plungers			
BH-9680-09SPL	Special Wide Adapter 12.375" OAH x 11" OAW		EC-106DR, MC-307 10-5/8" Dual Plungers	12-3/8	9-1/2	
BH-9680-10	Standard Adapter for Dual Plungers	1081774	EC-106DR, MC-307 10-5/8" Dual Plungers	11-3/8		
BH-9680-10S	Standard Adapter for Dual Plungers 1-3/4" Shorter	1081774x	EC-106DR, MC-307 10-5/8" Dual Plungers	9-5/8		
BH-9680-13	Special Rear Wheel Adapter	AS-17285 EC-148	EC-107/108, EC-105/106 10-5/8 Plungers			
BH-9680-17	Special Adapter for Dual Plungers	AS-21112 KL-277	EC-106DR, MC-307 10-5/8" Dual Plungers	10	4	
BH-9680-17H	Special Adapter for Dual Plungers - Higher		EC-106DR, MC-307 10-5/8" Dual Plungers	11	7	
BH-9680-17L	Special Adapter for Dual Plungers - Lower		EC-106DR, MC-307 10-5/8" Dual Plungers	10	6-7/8	
BH-9680-18	Standard Adapter for Dual Plungers	1085835 KL-276	EC-106DR, MC-307 10-5/8" Dual Plungers			
BH-9680-19	Rear Adapter for Special Clearance	AS-14388 KL-143	EC-105/106 MC-302 10-5/8" Plungers			
BH-9680-19SPL	Special Rear Adapter		EC-105/106 MC-302 10-5/8" Plungers			
BH-9680-22	Special Rear Adapter for 12-5/8"		12-5/8" Rear Plungers	5-1/8	13	6-3/4
BH-9680-22B	Special Rear Adapter for 12-5/8"		12-5/8" Rear Plungers	5-1/8	11	6
BH-9680-22C	Special Rear Adapter for 12-5/8"		12-5/8" Rear Plungers	4-3/8	13	6-3/4
BH-9680-28	Rear Adapter 12-5/8" Similar to FD2151		12-5/8" Rear Plungers			
BH-9680-29	10-5/8" Rear Adapter E450/550 Ford Vans		EC-107/108, EC-105/106 10-5/8" Plungers	9-1/2		
BH-9680-32	10-5/8" Rear Adapter Rotary Style Top		10-5/8" Rear Plungers	9	6-5/8	7-3/8
BH-9680-35	12-5/8" Rear Adapter 330 12-5/16"		10-5/8" Rear Plungers	12-1/8		8

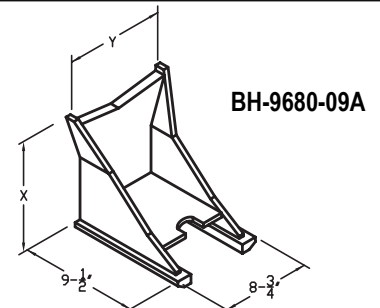
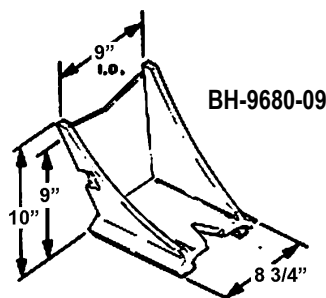
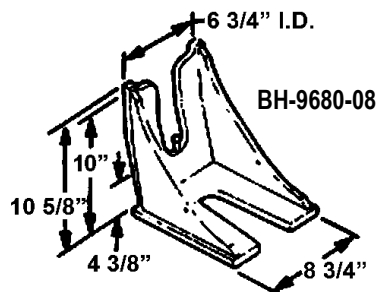
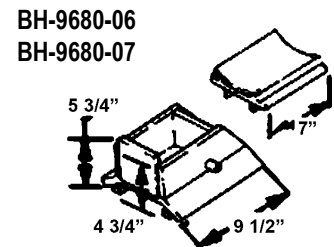
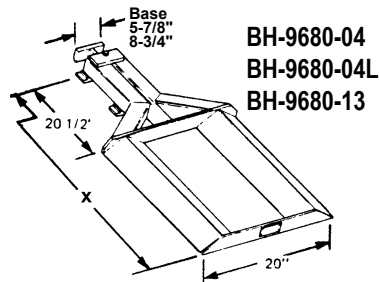
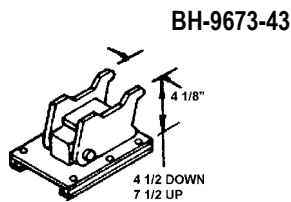
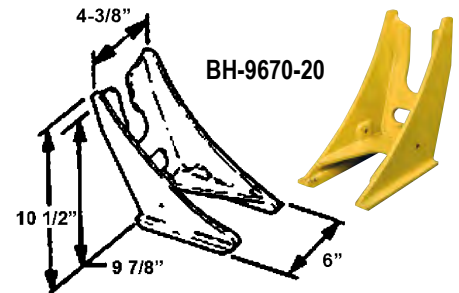
Page 24

# Rear Plunger Adapters for Weaver Fore and Aft Lifts (continued)

Need a custom adapter?  
Call for a quote!!



Thicker Vertical Plate, Use BH-9670-20A



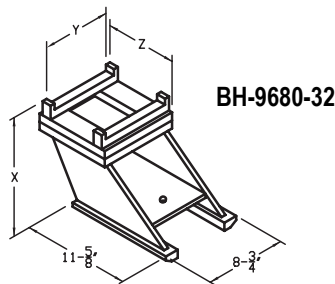
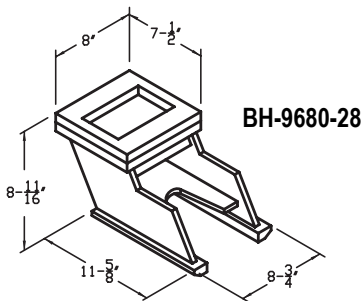
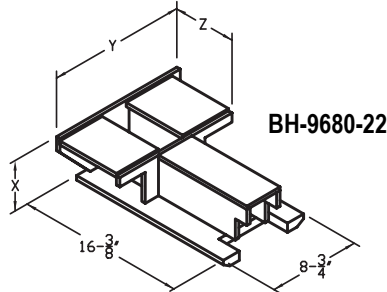
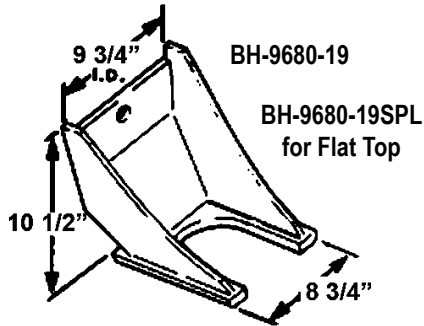
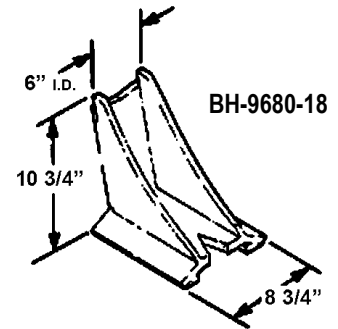
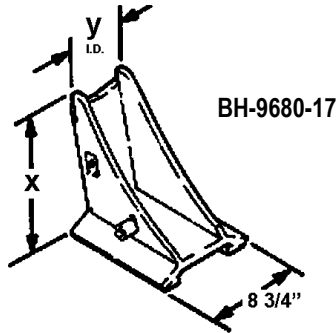
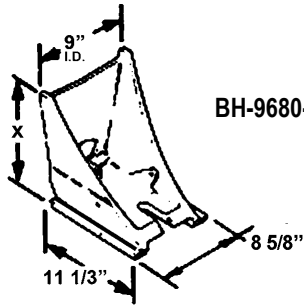
See more images of Rear Plunger Adapters on the following page

Please Note: Where the O.E.M. number is a KL number or an EC number this indicates a kit with two or more of the components listed. SVI sells these adapters individually. Please order the quantity needed using the SVI part number or call SVI for assistance.



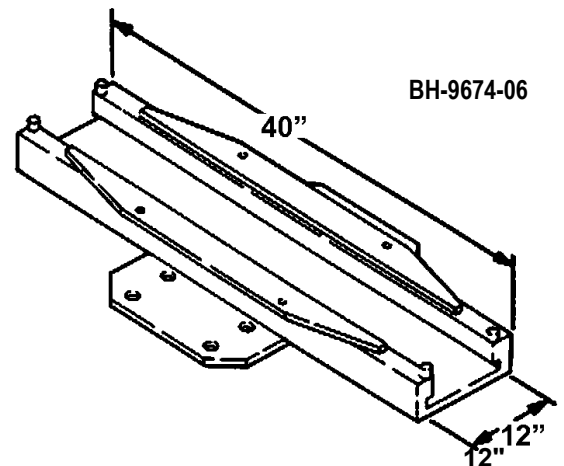
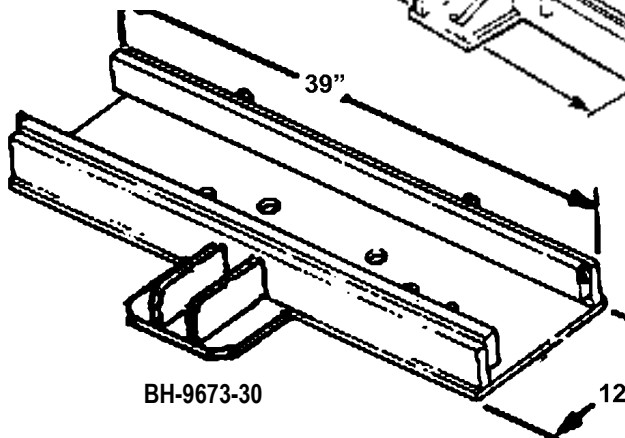
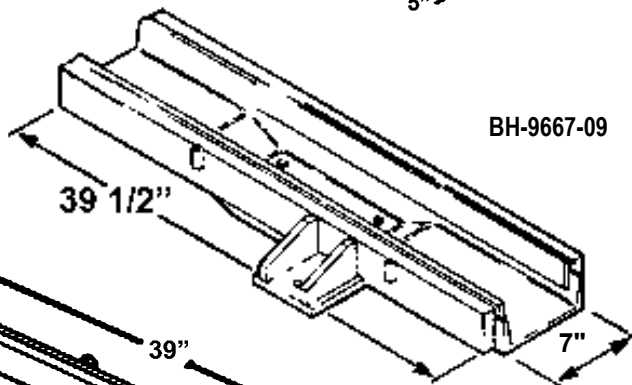
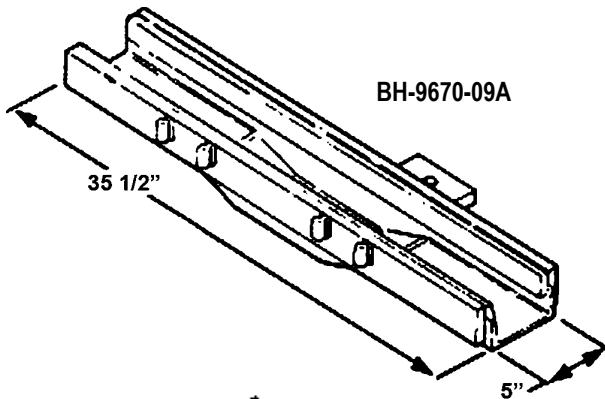
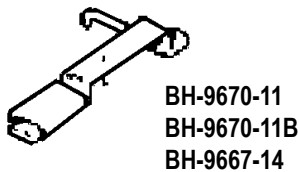
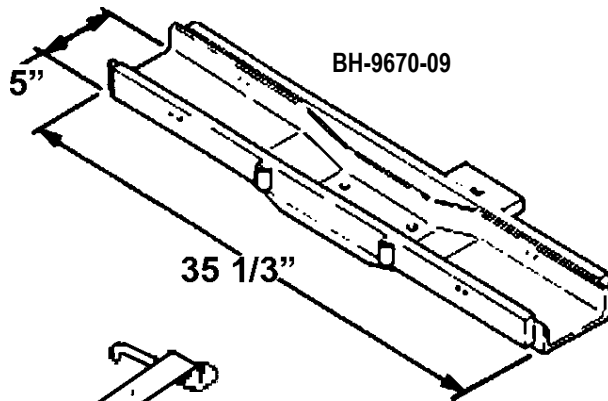
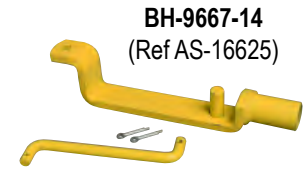
**Custom Adapters Available!  
Call for a quote!**

## Rear Plunger Adapters for Weaver Fore and Aft Lifts (continued)



*Offering the best in auto lift repair parts!*

# Front Plunger Saddles

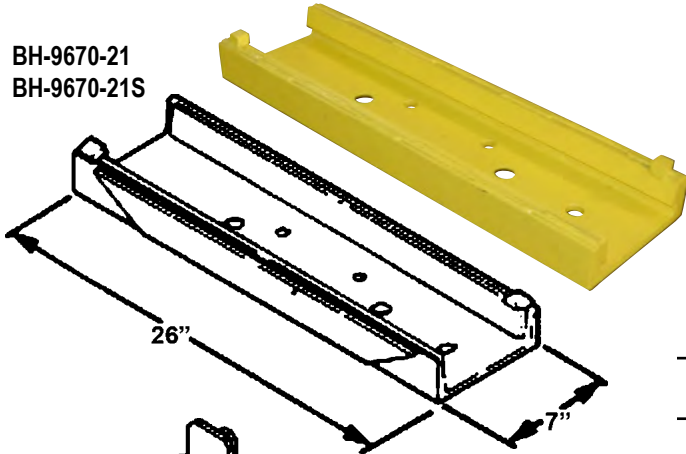


SVI part #	Ref. OEM #	Used on Lift Model
<b>BH-9670-09</b> Standard Front Saddle	AS-25517	EC-100/102/202A 7-1/2" Front Plungers
<b>BH-9670-09A</b> Standard Front Saddle	AS-26670	EC-107/108
<b>BH-9670-11</b> Front Adapter Spotting Device	AS-16624 KL-144	EC-102/202
<b>BH-9670-11B</b> Front Adapter Spotting Device with Ratchet Extension	AS-19050 KL-145	EC-102/202 EC-107/108
<b>BH-9667-14</b> Front Adapter Spotting Device for 10-5/8" Pistons	AS-16625 KL-130	EC-105/106 MC-301
<b>BH-9667-09</b> Standard Front Saddle	1080846 KL-130	EC-105/106 MC-301/304 10-5/8"
<b>BH-9673-30</b> Standard Front Saddle	1084000	MC-320/321 12-5/8" Plungers
<b>BH-9674-06</b> Front Saddle for Dual Front 10-5/8" Plungers with Lift Locks	1081600	MC-306/308

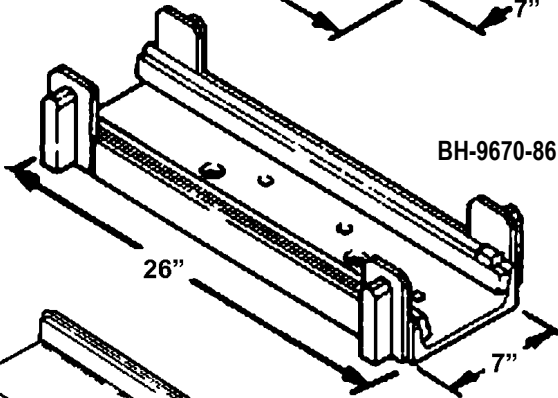


# Rear Plunger Saddles for Weaver Fore and Aft Lifts

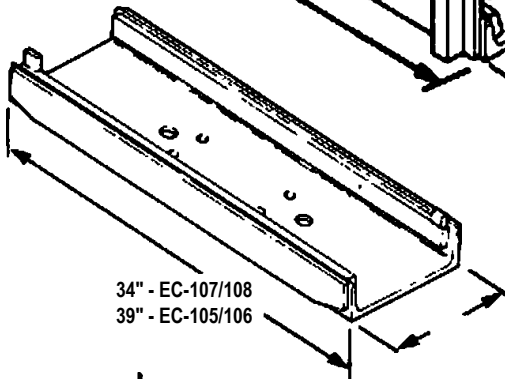
**BH-9670-21**  
**BH-9670-21S**



**BH-9670-86**

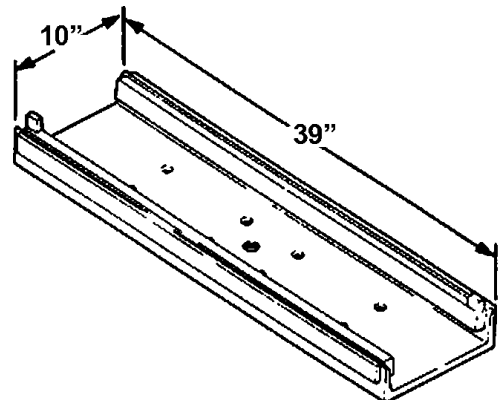
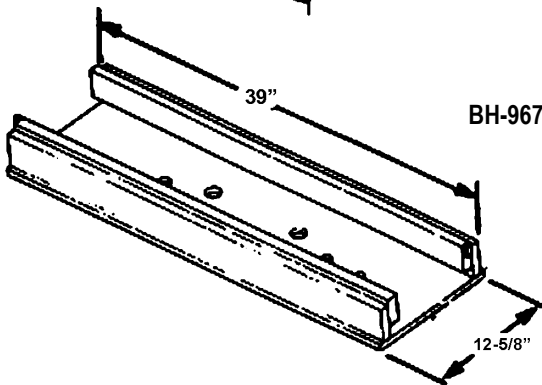


**BH-9667-21S**  
**BH-9667-21**

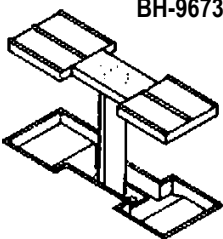


34" - EC-107/108  
39" - EC-105/106

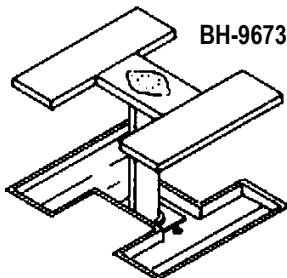
**BH-9673-28**



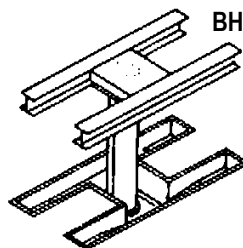
**BH-9673-40**



**BH-9673-41**



**BH-9673-42**



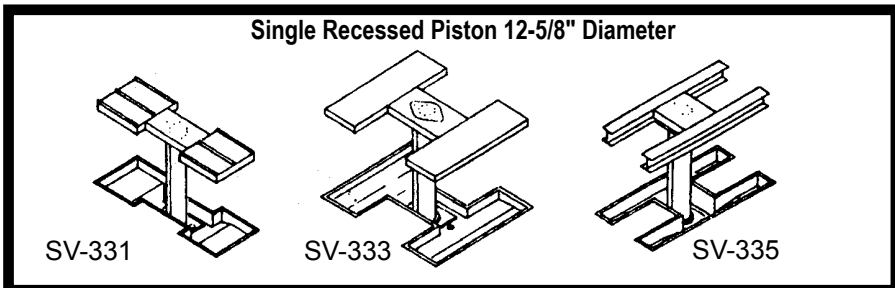
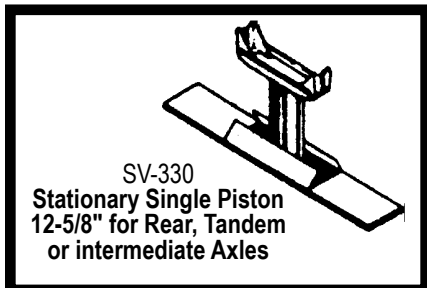
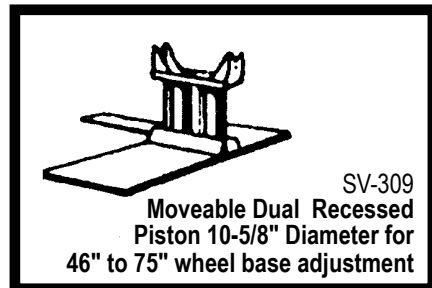
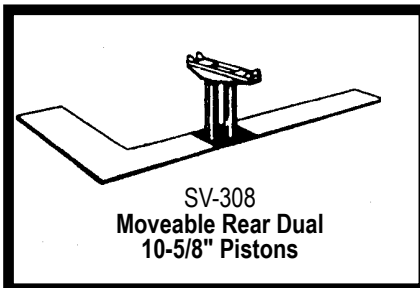
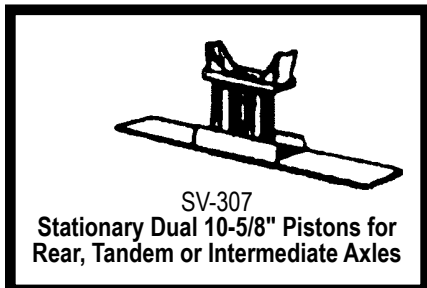
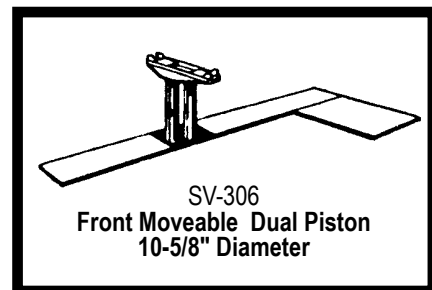
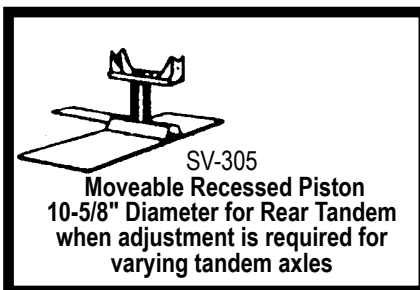
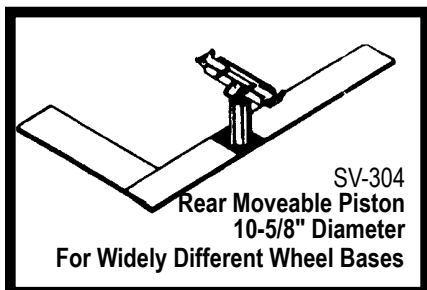
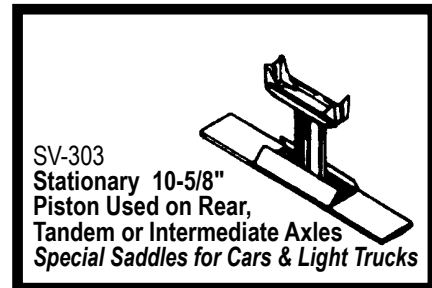
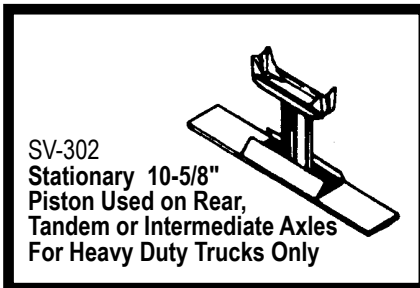
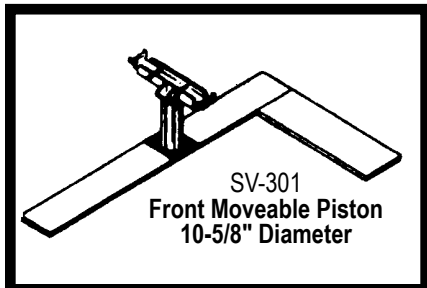
**BH-9674-57**  
(shown without  
Lift Lock plates)

SVI part #	Ref. OEM #	Used on Lift Model
<b>BH-9670-21</b> Standard Rear Saddle	AS-25550	EC-102/203A 7-1/2" Plungers
<b>BH-9670-21S</b> 23-1/2" Short Rear Saddle	AS-15533	EC-100 Old U-Shaped for 7-1/2" Plungers
<b>BH-9670-86</b> Rear Saddle for Select-A-Lift "A" and "B" Models	1085168	EC-202/203B 7-1/2" Plungers
<b>BH-9667-21S</b> Standard Rear Saddle 34"	1080871	EC-107/108/106BM 10-5/8" Plungers
<b>BH-9667-21</b> Standard Rear Saddle 39"	1080826	EC-105/106 10-5/8" Plungers
<b>BH-9673-38</b> Standard Rear Saddle	1084659	MC-330 12-5/8" Plungers
<b>BH-9674-57</b> Rear Saddle for Dual Plungers with Lift Locks	1081638	MC-307/308 Dual 10-5/8" Plungers
<b>BH-9673-40</b> 12-5/8" Superstructure	1084633	MC-331
<b>BH-9673-41</b> 12-5/8" Superstructure		MC-333
<b>BH-9673-42</b> 12-5/8" Superstructure	1084871	MC-335

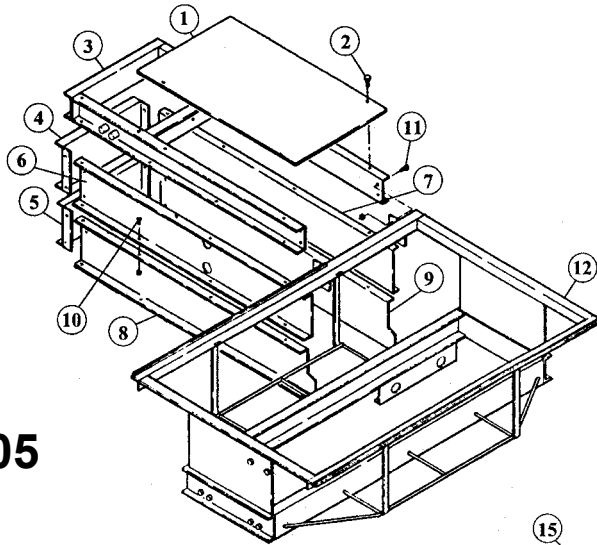
# MC Series Modular Concept Lifts

**10-5/8" Posts 18,000 lb. Capacity at 250 P.S.I. maintained oil pressure using hydraulic pumping unit.**

**12-5/8" Posts 25,000 lb. Capacity at 250 P.S.I. maintained oil pressure using hydraulic pumping unit.**

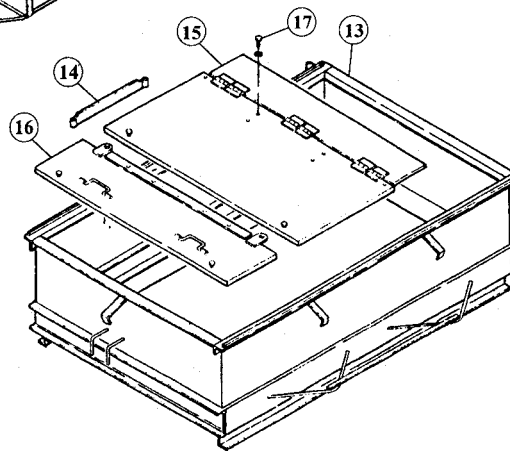






MC-305

Frames and Cover Doors



MC-309

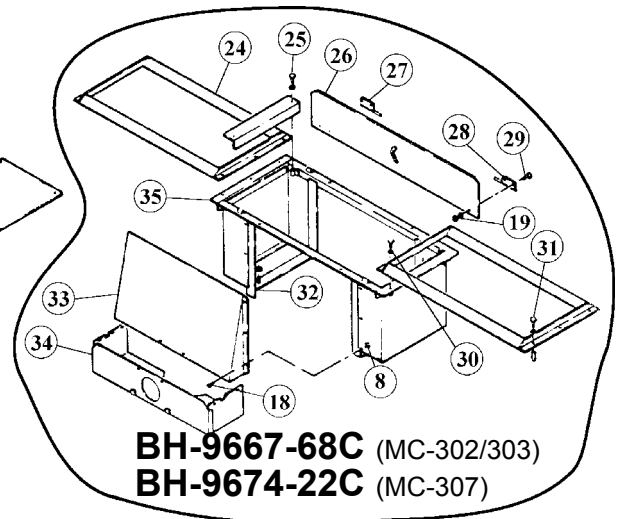
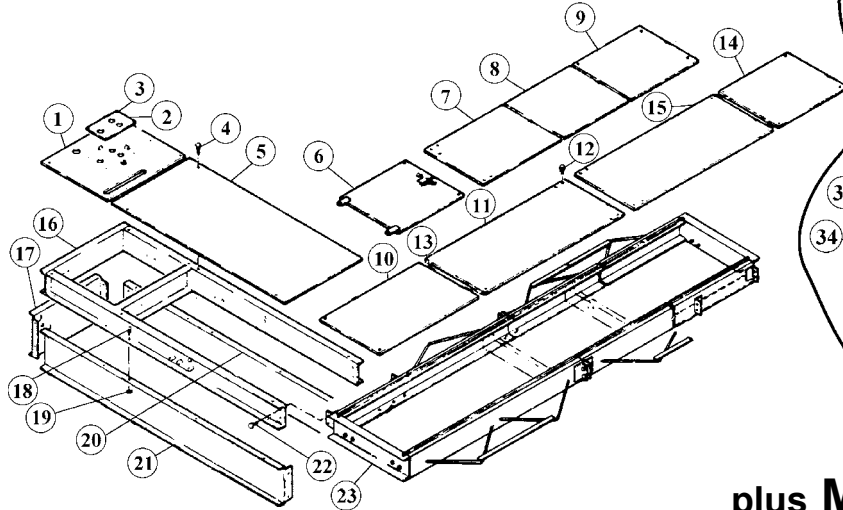
Item	SVI part #	OEM #	Req	Description
1	BH-9674-60	1080202	1	Extension Cover
2	F-HC-0375-24-1000	S-11324		Capscrew
3	BH-9674-61	1080201	1	Control Box
4	BH-9674-62	S-21462	1	Form, Back (MC-309)
	BH-9674-63	1080793	1	Form, Back (MC-305)
5	BH-9674-62	S-214621	1	Form, Back
6	BH-9674-65	1081685	1	Top Form, Back (MC-309)
	BH-9674-66	1080795	1	Top Form, Back (MC-305)
7	BH-9674-67	1081686	1	Top Form, Front (MC-309)
	BH-9674-68	1080794	1	Top Form, Front (MC-305)
8	BH-9674-69	1081689	1	Bottom Form, Back (MC-309)
	BH-9674-70	1080797	1	Bottom Form, Back (MC-305)
9	BH-9674-71	1081688	1	Bottom Form, Front (MC-309)
	BH-9674-72	1080798	1	Bottom Form, Front (MC-305)

Item	SVI part #	OEM #	Req	Description
10	F-MS-0250-20-0750	S-6655		Round Head Machine Screw
	F-HN-0250-20	S-21268		Hex Nut
11	F-HC-0500-13-1000	S-722		Capscrew
	F-HN-0500-13	S-508		Hex Nut
12	BH-9674-73	1080185	1	Frame
13	BH-9674-74	1081650	1	Frame
14	BH-9674-75	1081668	2	Frame Pull Bar (MC-309)
	BH-9674-76	1081169	2	Frame Pull Bar (MC-305)
15	BH-9674-77	1081670	2	Cover Plate Ass'y. (MC-309)
	BH-9674-78	1081165	2	Cover Plate Ass'y. (MC-305)
16	BH-9674-79	1081681	2	Carry Around Plate (MC-309)
	BH-9674-80	AS-14471	2	Carry Around Plate (MC-305)
17	F-HC-0500-13-1250	S-12276		Capscrew
	F-FW-0500-SAE	S-18432		Washer



# Frames and Cover Doors

## MC-301, MC-304 MC-306, MC-308



## MC-302, MC-303 plus MC-307 for Dual Rear Pistons

Item	SVI part #	OEM #	Req	Description
1	BH-9674-27	AS-26673	1	Cover (4 Stem Valve)
	BH-9667-53	S-23829	1	Cover (3 Stem Valve)
2	BH-9674-26	S-12745	1	Nameplate (4 Stem Valve)
	BH-9670-58	S-12261	1	Nameplate (3 Stem Valve)
3	F-DS-02-0375	S-4515		Drive Screw
4	F-HC-0375-24-1000	S-11324		Capscrew
5	BH-9667-54	S-23844	1	Extension Cover
	BH-9667-55	AS-28320	1	Extension Cover for Ratchet
6	BH-9667-66	AS-27707	1	Carry Around Plate (21")
	BH-9667-67A	AS-16125	1	Carry Around Plate (30")
	BH-9667-67	AS-20881	1	Carry Around Plate (36")
7	BH-9667-85	1080850	1	Folding Plate (28-3/8")
8	BH-9667-86	AS-27573	1	Folding Plate (24-3/8")
9	BH-9667-87	AS-27575	1	Folding Plate (24")
10	BH-9667-64	AS-27704	1	Front Sliding Plate (36")
11	BH-9667-63	1080848	1	Front Cover Plate (54")
12	F-HC-0500-13-1000	S-722		Capscrew
13	BH-9667-62	S-9707		Hinge Plate Pin
	F-CP-093-0625	S-1042		Cotter Pin
14	BH-9667-65	AS-27706	1	Rear Sliding Plate (24")
15	BH-9667-63	1080848	1	Front Cover Plate (54")
16	BH-9667-56	AS-28320	1	Control Box Front
17	BH-9667-57	AS-27697	1	End Panel
18	F-MS-0250-20-0750	S-6656		Machine Screw
19	F-HN-0250-20	S-21268		Hex Nut
20	BH-9667-58	S-28317	1	Side Panel - Rear
21	BH-9667-59	S-28316	1	Side Panel - Front
22	F-HN-0375-16	S-595		Hex Nut
23	BH-9667-XXX *	1085046	1	Front Frame - Specify Size

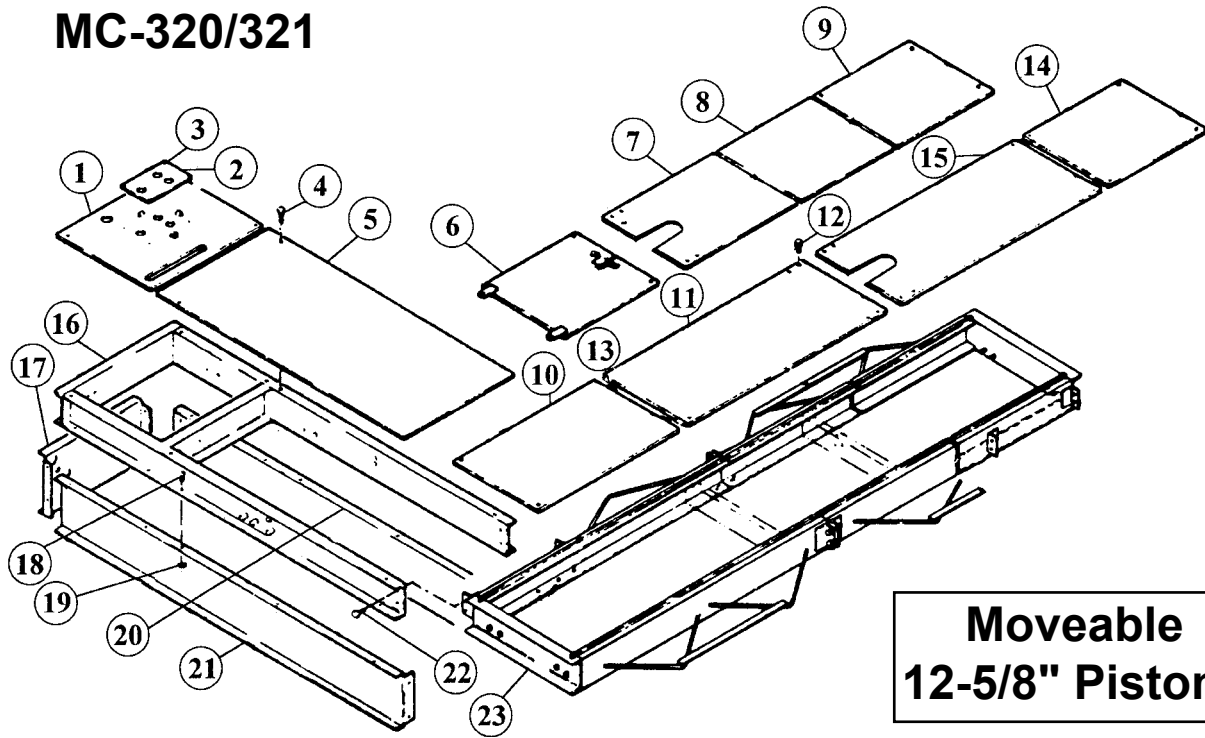
\* Front Frame Assemblies are available from 12' to 22'. Please specify size when ordering.

Item	SVI part #	OEM #	Req	Description
24	BH-9667-69	AS-27713	2	Wheel Chock
25	F-HC-0375-16-1000	S-105		Capscrew
	F-LW-0375	S-1325		Lockwasher
26	BH-9667-74	1080865	2	Plunger Door (MC-302) 43-1/2"
	BH-9667-74S	1080869	2	Plunger Door (MC-303) 37-1/2"
	BH-9674-23	1081630	2	Plunger Door (MC-307)
27	BH-9667-75	AS-23748	2	Right Hand Hinge
28	BH-9667-76	AS-23749	2	Left Hand Hinge
29	F-HC-0250-20-0750	S-21321		Capscrew (MC-302,303)
	F-HC-0500-13-1250	S-7403		Capscrew (MC-307)
	F-FW-0250-SAE	S-21318		Flat Washer (MC-302,303)
	F-LW-0500	S-512		Lockwasher (MC-307)
30	F-HC-0500-13-1250	S-7403		Capscrew
	F-LW-0500	S-512		Lockwasher
31	F-LB-0500-3500	S-27464		Lag Bolt
	BH-9667-72	S-18432		Washer
	BH-9667-73	S-27463		Lag Shield
32	F-HN-0500-13	S-508		Hex Nut
33	BH-9667-77	S-26626	1	Front Form (MC-302, 303)
	BH-9674-21	1081627	1	Front Form (MC-307)
34	BH-9667-78	AS-26624	1	Conduit Form (MC-302,303)
	BH-9674-20	1081623	1	Conduit Form (MC-307)
	BH-9674-24	1081625	1	Left End Form (MC-307)
	BH-9674-25	1081624	1	Right End Form (MC-307)
35	BH-9667-68	1080862	1	Frame (MC-302/303)
	BH-9667-68C			Rear Frame Assembly (MC-302/303)
	BH-9674-22	1081617	1	Frame (MC-307)
	BH-9674-22C		1	Rear Frame Assembly (MC-307)



# Frames and Cover Doors

## MC-320/321



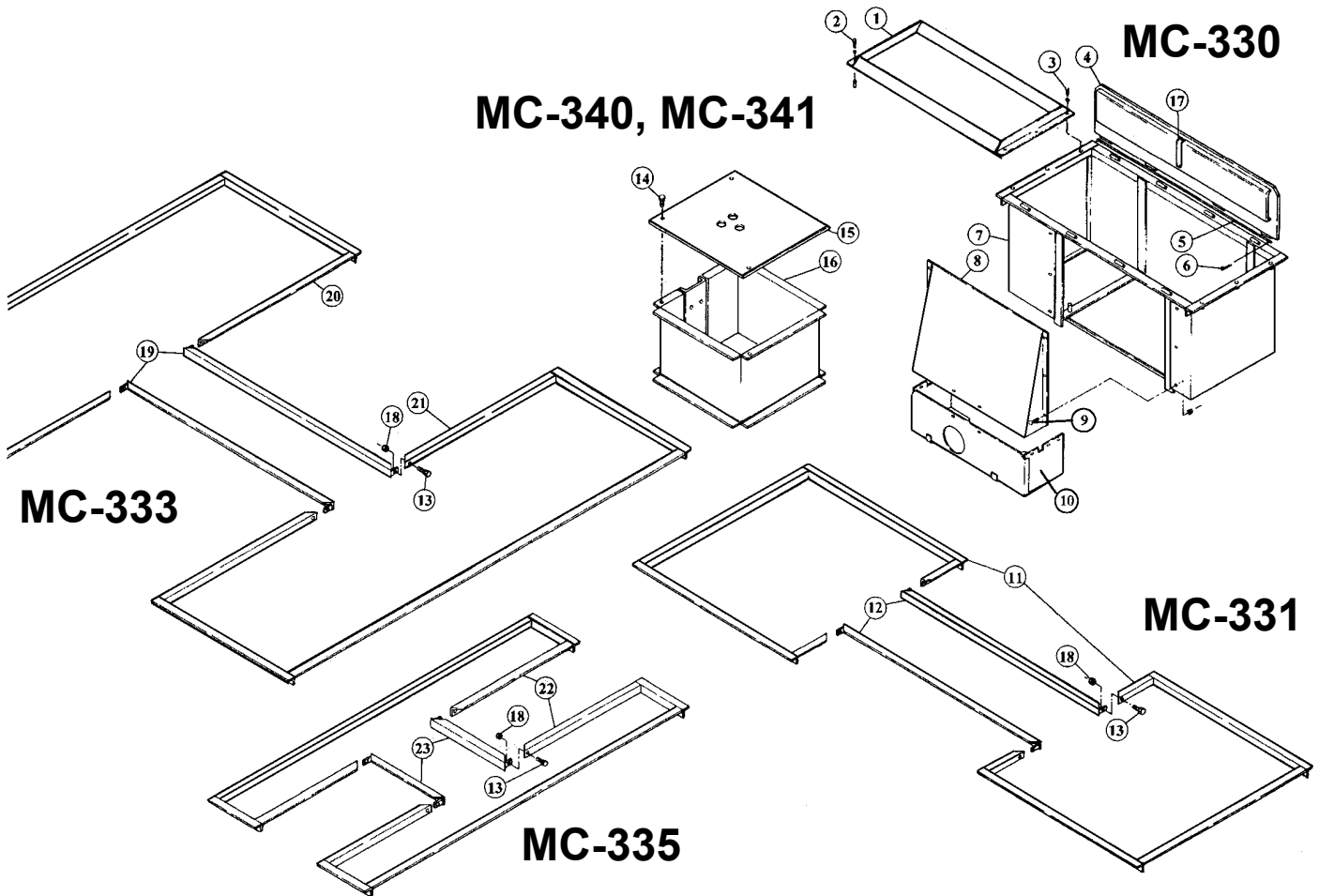
**Moveable  
12-5/8" Pistons**

**For Opposite of Standard, recessed frames, or special length frames, please call for details**

Item	SVI part #	OEM #	Req	Description
1	BH-9667-53	S-23829	1	Cover - Std. 3 stem
	BH-9667-27	AS-26673	1	Cover - Std. 4 stem
2	BH-9670-48	S-12261	1	Nameplate Std. 3 stem
	BH-9674-26	S-12745	1	Nameplate Std. 4 stem
3	F-DS-02-0375	S-4515	1	Drive Screw
1-3	BH-9667-51	AS-23832	1	Cover Assy Std. 3 stem
1-3	BH-9667-51P	AS-26459	1	Cover Assy Opp. 3 stem
1-3	BH-9674-28	AS-26674	1	Cover Assy Std. 4 stem
4	F-HC-0375-24-1000	S-11324		Capscrew
5	BH-9667-54	S-23844	1	Extension Cover Std.
6	BH-9673-75	1084039	1	36" Carry Around Plate
	BH-9673-76	1084038	1	30" Carry Around Plate
	BH-9673-78	1084037	1	24" Carry Around Plate
	BH-9673-79		1	20" Carry Around Plate
7	BH-9673-69	1084041	1	30" Folding Plate
8	BH-9673-68	1084043	1	24" Folding Plate

Item	SVI part #	OEM #	Req	Description
9	BH-9673-67	1084102	1	23" Folding Plate
10	BH-9673-71	1084033	1	36" Sliding Plate
11	BH-9673-70	1084030	1	54" Front Cover Plate
12	F-HC-0500-13-1250	S-7403	4	Capscrew
13	BH-9673-73	1084005	2	Hinge Pin
14	BH-9673-72	1084032	1	24" Sliding Plate
15	BH-9673-70A	1084046	1	54" Rear Cover Plate
16	BH-9667-56	AS-28320	1	Control Box Frame
17	BH-9667-57	S-27697	1	End Panel - Std.
18	F-MS-0250-20-0500	S-6656	28	Machine Screw
19	F-HN-0250-20	S-21286	36	Hex Nut
20	BH-9667-58	S-28317	1	Panel, Rear
21	BH-9667-59	S-28316	1	Panel, Front
22	F-HC-0375-16-1000	S-105	4	Capscrew
23	Please Call for Details		1	Frame

# Frames and Cover Doors



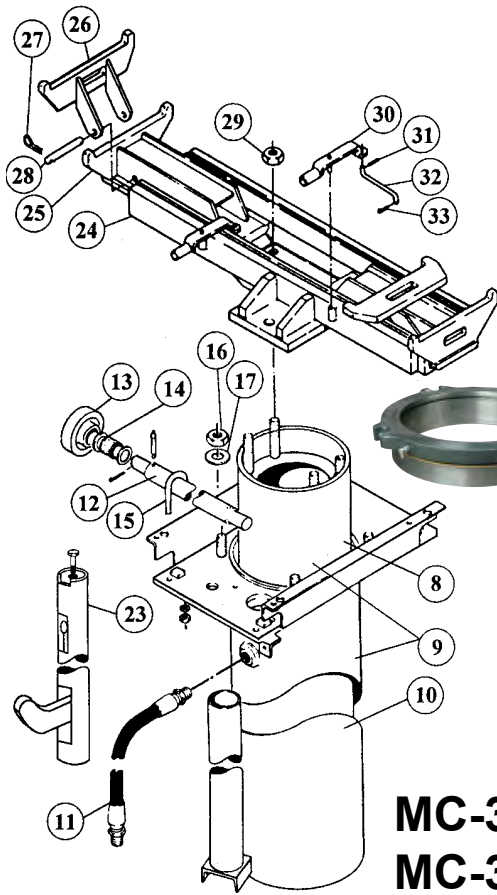
Item	SVI part #	OEM #	Req	Description
1	BH-9667-69	AS-27713	2	Wheel Chock
2	F-LB-0500-3500	S-27464		Lag Bolt
	F-FW-0500-SAE	S-18432		Washer
	BH-9667-73	S-27463		Lag Shield
3	F-HC-0500-13-1250	S-7403		Capscrew
	F-LW-0500	S-512		Lockwasher
4	BH-9673-15	1084710	2	Door Assembly
5	BH-9673-21	1084716	2	Hinge Pin
6	F-CP-125-1000	S-6829		Cotter
7	BH-9673-13	1084713	1	Frame Assembly
8	BH-9673-14	1084709	1	Front Form
9	F-MS-0250-20-0500	S-6656		Machine Screw
10	BH-9673-14B	1084706	1	Conduit Form Assembly

Item	SVI part #	OEM #	Req	Description
11	BH-9673-45	1084648	2	Installation Frame
12	BH-9673-46	1084653	2	Mounting Angle
13	F-HC-0375-16-1000	S-105		Capscrew
14	F-HC-0312-18-0750	S-7428		Capscrew
15	BH-9673-47	1084733	1	Cover Assembly
16	BH-9673-48	1084720	1	Control Box Ass'y.
17	BH-9673-20	1084717	1	Wear Strip w/3 rivets
18	F-HN-0375-16	S-595		Hex Nut
19	BH-9673-46	1084653	2	Mounting Angle
20	BH-9673-49	1084690	1	Installation Frame L.H.
21	BH-9673-50	1084695	1	Installation Frame R.H.
22	BH-9673-51	1084872	2	Installation Frame
23	BH-9673-52	1084873	2	Mounting Angle



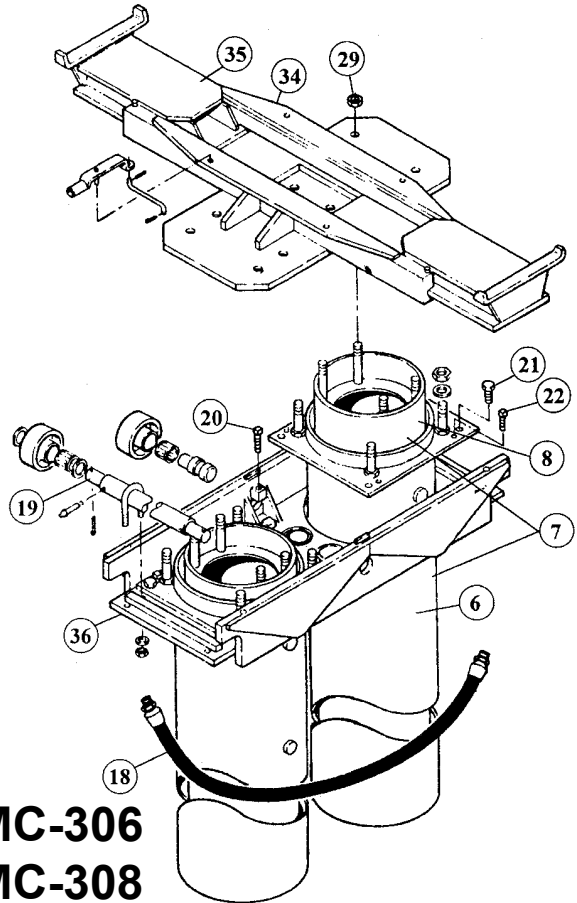
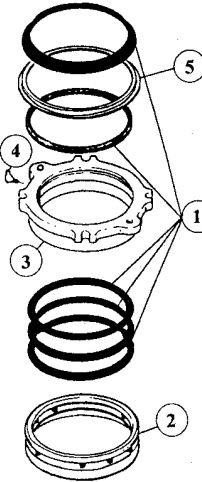


# Moveable Surface Models



**MC-301**  
**MC-304**

SVI offers a wide variety of standard and specialty adapters!



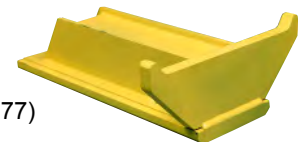
**MC-306**  
**MC-308**

Item	SVI part #	OEM #	Req	Description
1	BH-1776	KL-160	1-2	Hoist Packing Kit
	BH-1776S	KL-160	1-2	Leak Sealer Packing Kit
2	BH-9651	AS-11311	1-2	Packing Follower
3	BH-9667-24ATF	M-1402x	1-2	Adjust-to-Fit Upper Bearing Kit
	BH-9667-24	M-1402		Upper Bearing
4	BH-9667-25	S-13121	1-2	Grease Fitting
5	BH-9667-28	S-6453	1-2	Wiper Retainer
6	BH-9674-01	1081612	1	Twin Casing
7	BH-9674-02	1081589	2	Tube and Plunger Assy.
8	BH-9667-23	KL-181	2	Plunger and Gland Assy.
9	BH-9667-22F	1080844	1	Tube and Plunger Assy.
10	BH-9667-32F	1080840	1	Front Casing
11	BH-9816	S-13876	1	Hydraulic Hose
12	BH-9665-37	AS-6386	2	Axle Assembly
	BH-9665-37N	AS-6386	2	Needle Bearing Axle Assy.
13	BH-9665-37W	M-1401	4	Axle Wheel
14	BH-9665-37B	S-16425	4	Axle Bearing
15	BH-9665-41	S-11320	4	Axle U Bolt
16	F-HN-0750-10	S-2350	4	Hex Nut
17	F-FW-0750-SAE	S-6037	4	Flat Washer

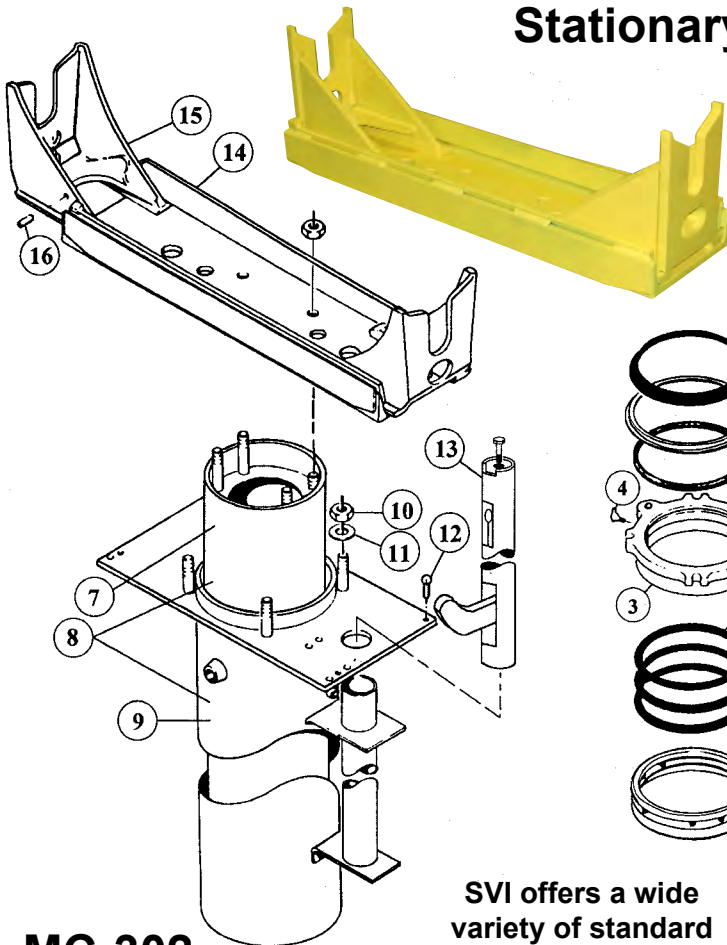
Item	SVI part #	OEM #	Req	Description
18	BH-9674-03	S-19079	1	Hydraulic Hose
19	BH-9674-04	1081814	2	Twin Front Axle Assy.
20	F-SS-0500-13-1500	S-1402		Set Screw
21	F-HC-0500-13-1500	S-7403		Capscrew
22	F-SS-0500-13-0750	S-1706		Set Screw
23	BH-WE-803	1080803	2	Safety Leg/Non-Rotator
24	BH-9667-09	1080846	1	Front Saddle
25	BH-9667-10	1084777	2	Saddle Adapter
26	BH-9667-11	1084758	2	Adapter Extension
27	BH-9667-13	1084762		Hair Pin Cotter
28	BH-9667-12	1084761		Pin
29	F-HN-0750-10	S-2350		Hex Nut
30	BH-9667-14	AS-16625	1	Lever Link Assembly
	BH-9667-15	AS-17614	1	Lever
31	F-RP-125-0875	S-14089	2	Roll Pin
32	BH-9667-16	S-18894	1	Link
33	F-CP-125-0750	S-275	1	Cotter Pin
34	BH-9674-06	1081600	1	Twin Front Saddle
35	BH-9674-07A	AS-18717	2	Adapter
36	BH-9674-05	1081581	1	Twin Front Carriage

**Saddle Adapter**

BH-9667-10 (Ref 1084777)

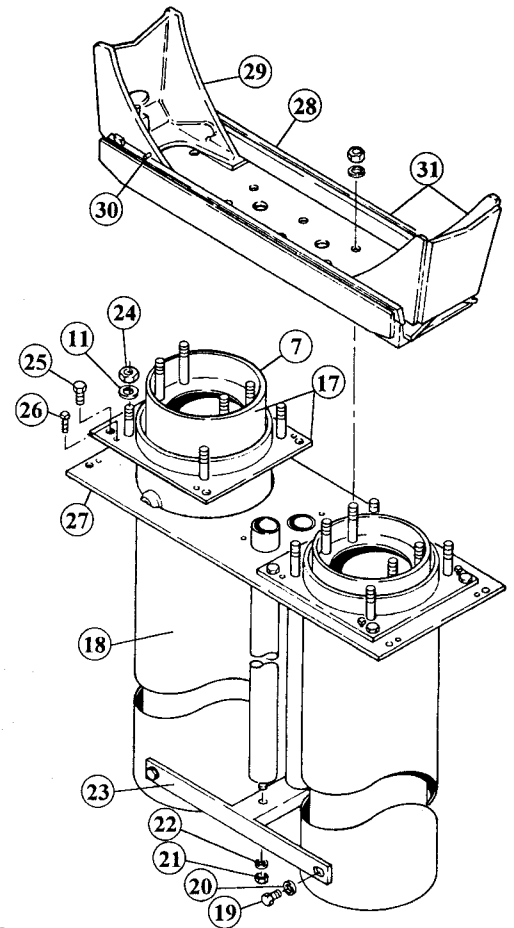


# Stationary Models



**MC-302  
MC-303**

SVI offers a wide variety of standard and specialty adapters!



**MC-307**

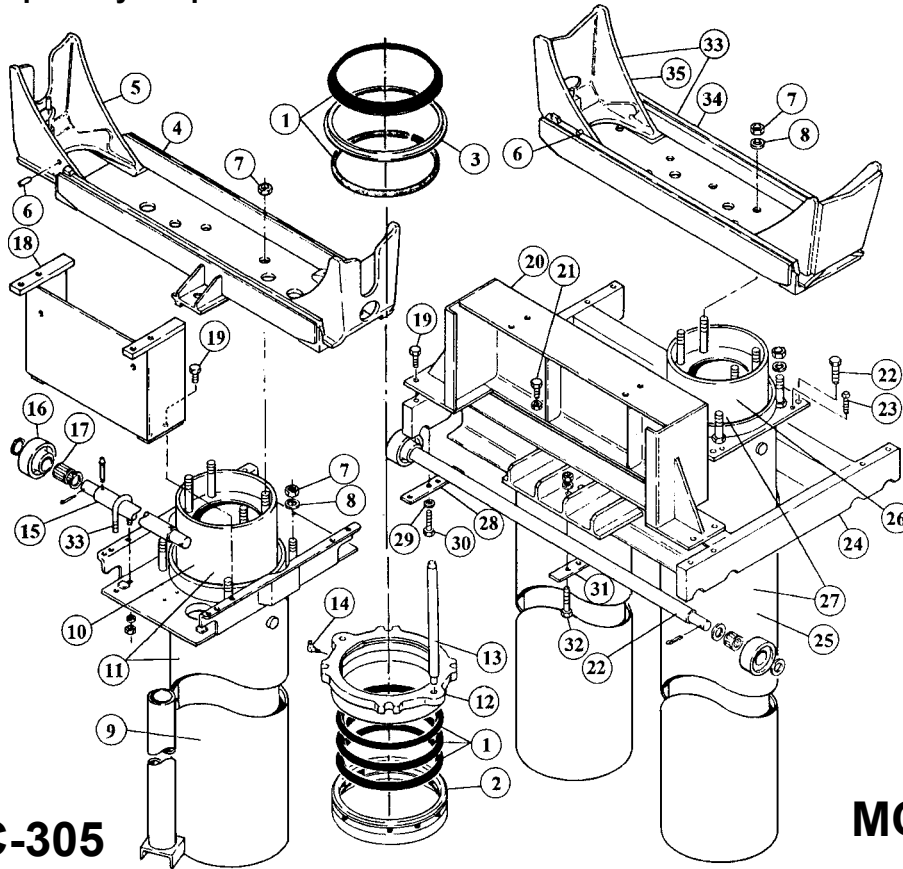
Item	SVI part #	OEM #	Req	Description
1	BH-1776	KL-160	1-2	Hoist Packing Kit
	BH-1776-S	KL-160	1-2	Leak Sealer Packing Kit
2	BH-9651	AS-11311	1-2	Packing Follower
3	BH-9667-29ATF	M-1386	1-2	Gland Ring
4	BH-9667-25	S-13121	1-2	Grease Fitting
5	BH-9667-28	S-6453	1-2	Wiper Retainer
6	BH-9667-30	S-26665	2	Support Rod
7	BH-9667-33	KL-182	1	Plunger and Gland Kit
8	BH-9667-22	AS-26345	1	Cylinder Assembly
9	BH-9667-32	AS-26342	1	Rear Casing
10	F-HN-0750-10	S-2350		Hex Nut
11	F-FW-0750-SAE	S-6037		Flat Washer
12	F-SS-0500-13-0750	S-1706		Set Screw
13	BH-WE-802	1080802	1	Safety Leg/Non-Rotator
14-16	BH-9667-19	1080827	1	Rear Saddle Assy. (MC-302)
14-16	BH-9674-08	1080820	1	Rear Saddle Assy. (MC-303)
14	BH-9667-21	1080826	1	Saddle (MC-302 model)
	BH-9674-07	1080819	1	Rear Saddle (MC-303 model)
15	BH-9667-20	M-2318	2	Adapter
16	F-RP-375-1500	S-18835	2	Roll Pin

Item	SVI part #	OEM #	Req	Description
17	BH-9674-09	10816111		Twin Rear Cylinder Assy. (MC-307)
18	BH-9674-01	1081612	1	Twin Casing (MC-307)
19	F-HC-0500-13-1000	S-722		Capscrew
20	F-LW-0500	S-512		Lockwasher
21	F-HN-0500-13	S-508		Hex Nut
22	F-FW-0500-SAE	S-18432		Flat Washer
23	BH-9674-10	1081609		Spacer
24	F-HN-0750-10	S-17729		Hex Nut
25	F-HC-0500-13-1500	S-7403		Capscrew
26	F-SS-0500-13-0750	S-1706		Set Screw
27	BH-9674-11	1081615	1	Casing Frame Plate (MC-307)
28	BH-9674-57	1081638	1	Twin Rear Saddle (MC-307)
29	BH-9680-10	1081774	2	Standard Adapter (MC-307)
30	F-RP-375-1500	S-18835	2	Roll Pin
31	BH-9674-14	1081775	1	Twin Rear Saddle Assy. (MC-307)



# Moveable Recessed Models

SVI offers a wide variety of standard and specialty adapters!



**MC-305**

**MC-309**

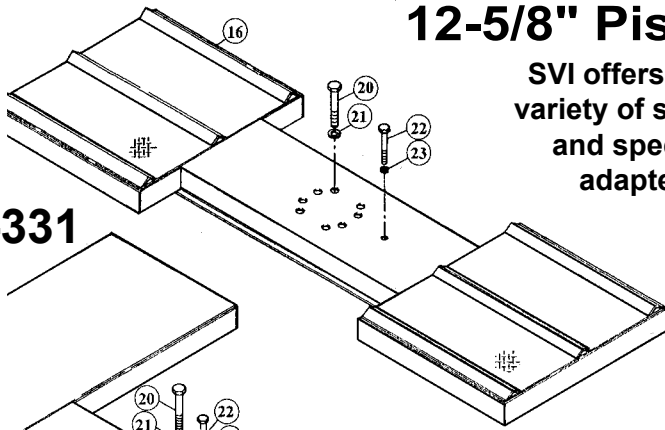
Item	SVI part #	OEM #	Req	Description
1	BH-1776	KL-160	1-2	Hoist Packing Kit
	BH-1776S	KL-160	1-2	Leak Sealer Packing Kit
2	BH-9651	AS-11311	1-2	Packing Follower
3	BH-9667-28	S-6453	1-2	Wiper Retainer
4	BH-9674-41	1080921	1	Saddle
5	BH-9667-20	M-2318	2	Adapter
6	F-RP-375-1500	S-18835	2	Roll Pin
4-6	BH-9674-40	1080920	1	Saddle and Adapter Ass'y.
7	F-HN-0750-10	S-2350		Hex Nut
8	F-FW-0750-SAE	S-6037		Flat Washer
9	BH-9674-42	1080786	1	Tube & Carriage Ass'y.
10	BH-9674-43	AS-27933	1	Plunger
11	BH-9674-44	1080784	1	Cylinder Assembly
12	BH-9667-29ATF	M-1386	2	Gland (MC-309)
	BH-9674-45ATF	1080785	1	Gland (MC-305)
13	BH-9667-30	S-26665	2	Support Rod
14	BH-9667-25	S-13121	2	Grease Fitting
15	BH-9665-37	AS-6386	2	Axle Assembly
	BH-9665-37N	AS-6386	2	Needle Bearing Axle Ass'y.
16	BH-9665-37W	M-1401	4	Axle Wheel

Item	SVI part #	OEM #	Req	Description
17	BH-9665-37B	S-16425	4	Axle Bearing
18	BH-9674-46	1083180	1	Plate Support (Front)
	BH-9674-47	1083182	1	Plate Support (Rear)
19	F-HC-0500-20-1000	S-12596		Capscrew
20	BH-9674-48	1081674	1	Plate Support
21	F-HC-0500-13-1250	S-7403		Capscrew
22	BH-9674-49	1081695	2	Axle Assembly
23	F-SS-0500-13-0750	S-1706		Set Screw
24	BH-9674-50	1081642	1	Carriage
25	BH-9674-51	1081590	2	Casing
26	BH-9674-52	AS-27880	2	Plunger and Gland
27	BH-9674-53	1081611	2	Cylinder Assembly
28	BH-9674-54	1081680	4	Tie Bar
29	F-LW-0500	S-512		Lockwasher
30	F-HC-0500-20-2250	S-3464		Capscrew
31	BH-9674-55	1081694	2	Center Tie Bar
32	F-HC-0500-13-3000	S-7394		Capscrew
33	BH-9674-56	1081775	1	Saddle and Adapter Ass'y.
34	BH-9674-57	1081638	1	Saddle
35	BH-9674-58	1081774	2	Adapter

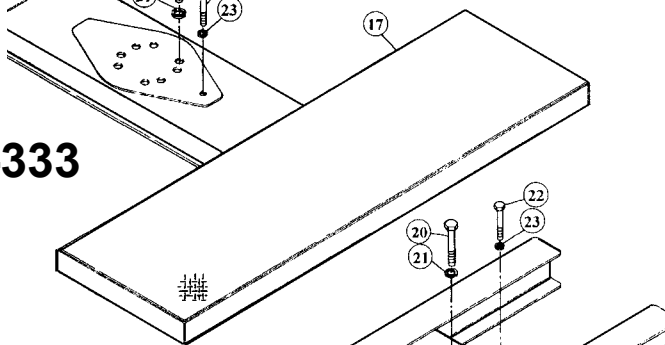
# Stationary 12-5/8" Pistons

SVI offers a wide variety of standard and specialty adapters!

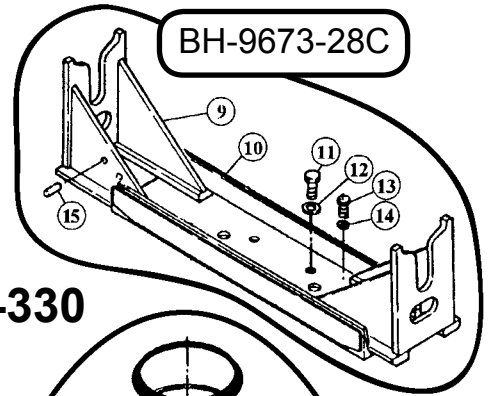
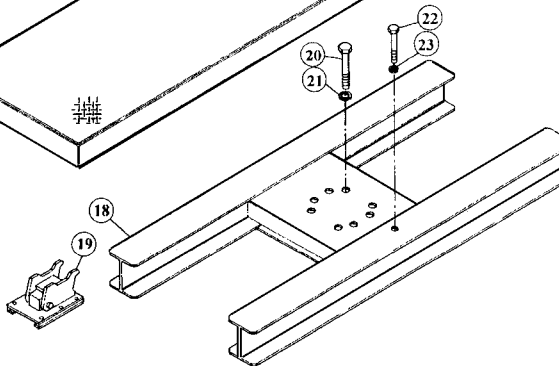
MC-331



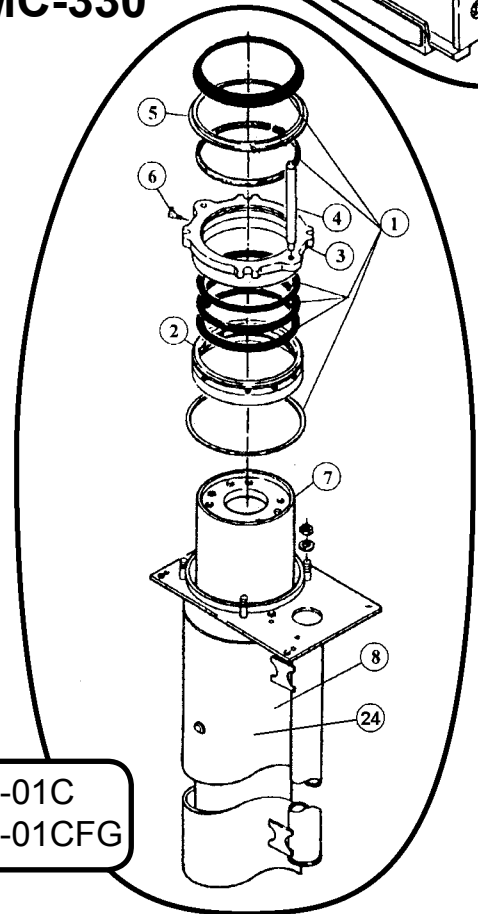
MC-333



MC-335



MC-330



BH-9673-01C  
BH-9673-01CFG

Item	SVI part #	OEM #	Req	Description
	BH-9673-01C			12-5/8" Complete Cyl. Assembly
	BH-9673-01CFG			12-5/8" Complete Cyl. Assy. Fiberglass
	BH-9673-28C			12-5/8" Rear Saddle Complete
1	BH-1713	KL-268	1	Hoist Packing Kit
2	BH-9673-04	1084619	1	Packing Follower
3	BH-9673-05ATF	1084631	1	Packing Gland
4	BH-9673-06	1084718	2	Support Rod (MC-330)
5	BH-9673-27	1084629	1	Wiper Ring Retainer
6	BH-9667-25	S-13121	1	Grease Fitting
7	BH-9673-03	KL-275	1	Plunger and Gland Kit
8	BH-9673-01	1084601	1	Casing (12-5/8")
9	BH-9667-20	M-2318	2	Adapter
10	BH-9673-28	1084659	1	Saddle
11	F-HC-1250-07-3250	1084666		Capscrew (MC-330)
12	F-LW-1250	1084657		Lockwasher
13	F-HC-0750-10-2000	S-3535		Capscrew
14	F-LW-0750	G103326		Lockwasher
15	F-RP-375-1500	S-18835		Roll Pin
16	BH-9673-40	1084633	1	Superstructure (MC-331)
17	BH-9673-41		1	Superstructure (MC-333)
18	BH-9673-42	1084871	1	Superstructure (MC-335)
19	BH-9673-43	1084848	2	Adapter Assembly

Item	SVI part #	OEM #	Req	Description
20	F-HC-1250-07-7000	1084656		Capscrew
21	F-LW-1250	1084657		Lockwasher
22	F-HC-0750-10-6000	1084658		Capscrew
23	F-LW-0750	G103326		Lockwasher
24	BH-WE-999			Manual Safety Leg



**Adjust-to-Fit  
Packing  
Gland**  
BH-9673-05ATF  
(Ref 1084631)



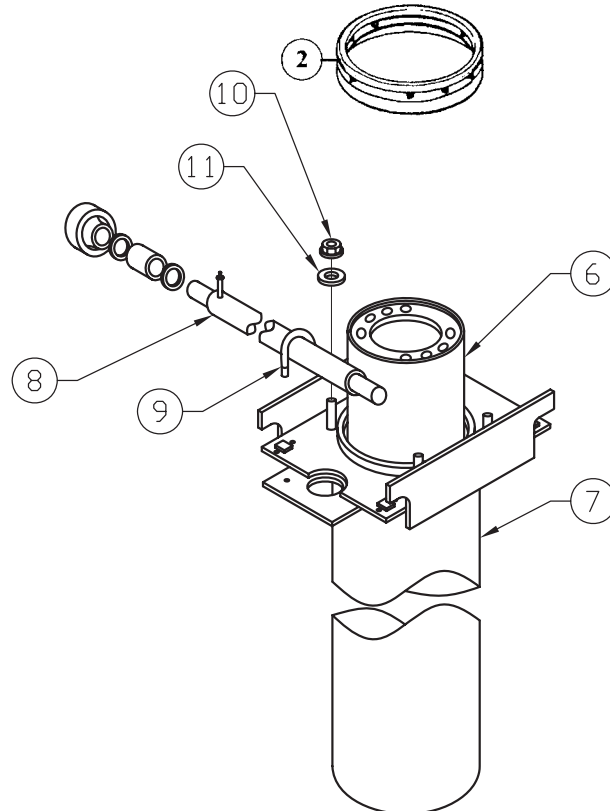
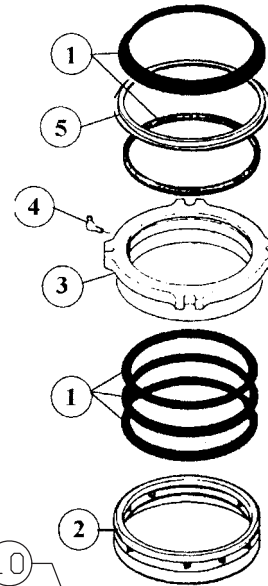
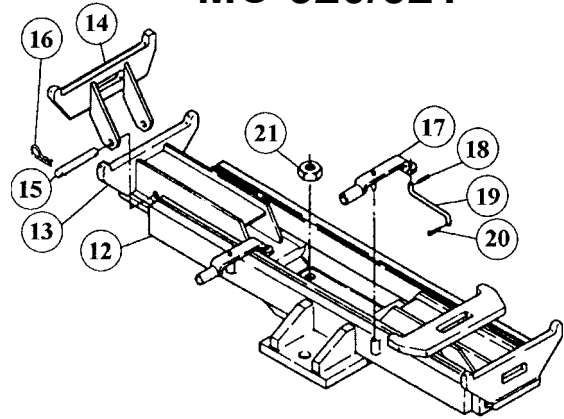
# Moveable 12-5/8" Pistons

SVI offers a wide variety of standard and specialty adapters!

Item	SVI part #	OEM #	Req	Description
1	BH-1713	KL-268	1	Hoist Packing Kit
2	BH-9673-04	1084619	1	Packing Expander
3	BH-9673-05ATF*	1084013	1	Front Gland
4	BH-9667-25	S-13121	1	Grease Fitting
5	BH-9673-27	1084629	1	Wiper Ring Retainer
6	BH-9673-02R		1	12-5/8" Plunger
6	BH-9673-09		1	12-5/8" Front Plunger and Gland
7	BH-9673-22	1084017	1	Front Casing
8	BH-9673-31	1084073	2	Axle Assembly
9	BH-9673-33	1084075	4	U Bolt for Axle
10	F-HN-0750-10	S-2350	4	Hex Nut 3/4-10
11	F-FW-0750-SAE	S-6037	4	Washer 5/32 ID
12	BH-9673-30	1084000	1	Front Saddle
13	BH-9673-80	1084006	2	Adapter
14	BH-9667-11E	1084758x	2	Adapter Extension
15	BH-9667-12	1084761	2	Adapter Pin
16	BH-9667-13	1084762	4	Hair Pin Cotter
17	BH-9667-15	AS-17614	1	Lever
18	BH-9667-16	S-18894	1	Link
19	F-RP-125-0875	S-14089	1	Roll Pin
20	F-CP-125-0750	S-275	1	Cotter Pin
21	F-HN-0750-10	S-2350	4	Hex Nut 3/4-10

\* When ordering gland please specify for front 12-5/8" piston.

## MC-320/321



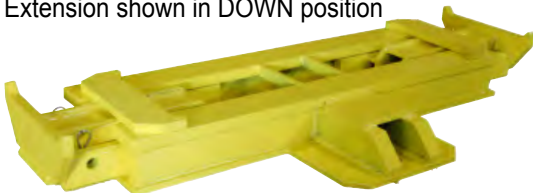
### BH-9673-30C Saddle & Adapter Kit

- BH-9673-30 Saddle
- BH-9673-80 Adapter
- BH-9667-11E Adapter Extension (Flip)

Extension shown in UP position



Extension shown in DOWN position

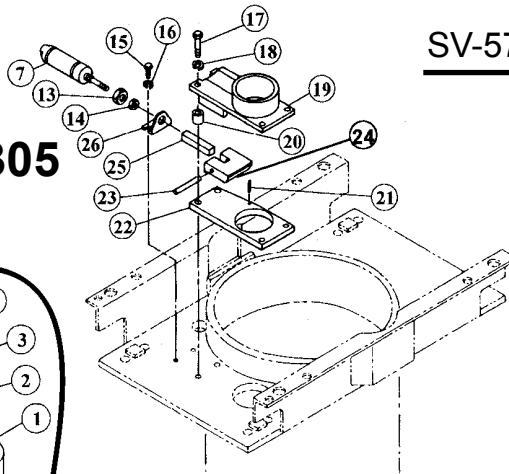


# Lift Locks

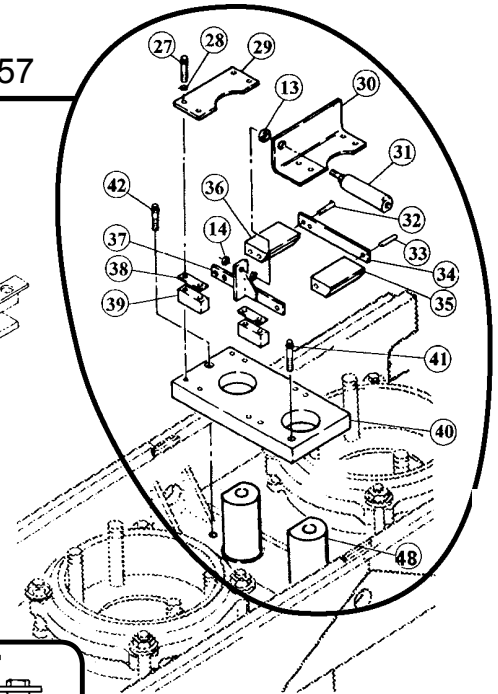


MC-330

MC-305

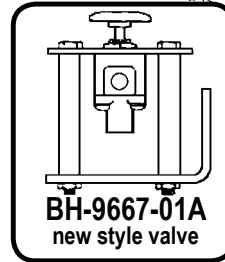
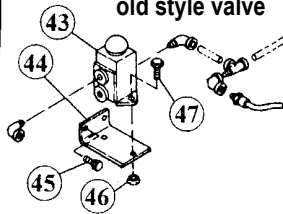


SV-57

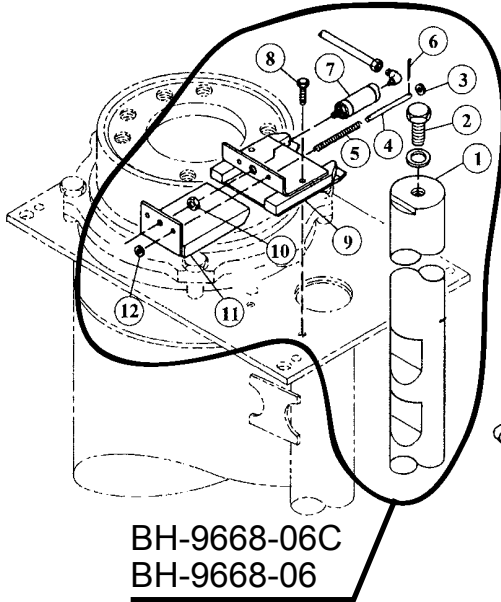


MC-306 & MC-307  
MC-308 & MC-309

## Control Valve old style valve



BH-9667-01A  
new style valve



BH-9668-06C  
BH-9668-06

Item	SVI part #	OEM #	Req	Description
	<b>BH-9668-06C</b>	1087831C	1	Complete Lock Assembly w/ Leg
	<b>BH-9668-06</b>	1087831	-	Complete Lock Assembly w/o Leg
	SV-57		1	Complete Dual Lock Assembly
<b>1</b>	<b>BH-9668-01</b>	1084677	1	Steel Lift Lock Leg (Incl in BH-9668-06C)
<b>2</b>	F-HC-0750-10-2000	S-3535	1	Capscrew
<b>3</b>	F-FW-0250-SAE	S-19957	1	Washer
<b>4</b>	BH-9668-05	1084673	1	Spring Guide Pin
<b>5</b>	BH-9668-04	1084835	1	Spring
<b>6</b>	F-CP-125-0750	S-380	1	Cotter Pin
<b>7</b>	BH-9667-02	S-25502	1	Air Cylinder MC-330
	BH-9667-03	S-25534	1	Air Cylinder MC-305
<b>8</b>	F-HC-0312-16-2250	S-15134	1	Capscrew
<b>9</b>	BH-9668-03	1084668	1	Lift Lock Bracket
<b>10</b>	F-JN-0312-24	S-7927	1	Jam Nut
<b>11</b>	BH-9668-02	1084674	1	Lock Pawl
<b>12</b>	F-FW-0250-SAE	S-19957	1	Washer
<b>13</b>	F-JN-0625-18	S-2250	1	Jam Nut
<b>14</b>	F-JN-0312-24	S-7927	2	Jam Nut
<b>15</b>	F-HC-0250-20-0750	S-21321	2	Capscrew
<b>16</b>	F-LW-0250	S-543	2	Lockwasher
<b>17</b>	F-HC-0312-18-2000	S-22899	4	Capscrew
<b>18</b>	F-LW-0312	S-18821	4	Lockwasher
<b>19</b>	BH-9668-07	1080877	1	Cover Plate
<b>20</b>	BH-9668-08	1080875	4	Spacer
<b>21</b>	F-RP-125-1000	S-12695	1	Roll Pin
<b>22</b>	BH-9668-09	1080876	1	Mounting Plate
<b>23</b>	F-RP-250-1750	S-14110	1	Roll Pin
<b>24</b>	BH-9668-10	1080873	1	Pawl
<b>25</b>	BH-9668-11	1080874	1	Clevis

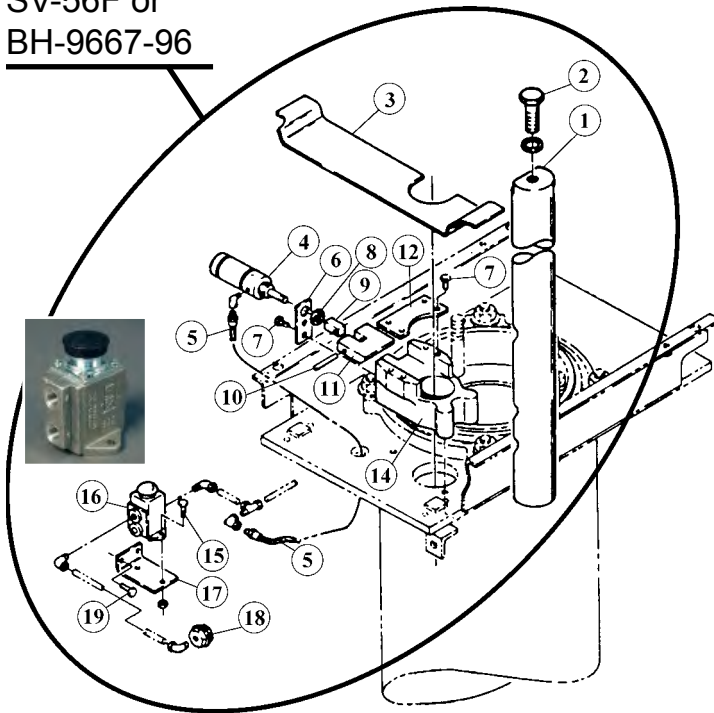
Item	SVI part #	OEM #	Req	Description
<b>26</b>	BH-9670-91	S-25532	1	Mounting Bracket
<b>27</b>	F-TC-0312-18-2000	1081607	8	12 pt Capscrew
<b>28</b>	F-LW-0375	S-1325	8	Lockwasher
<b>29</b>	BH-9668-13	10801671		Retainer Plate
<b>30</b>	BH-9668-14	1080170	1	Retainer Bracket
<b>31</b>	BH-9667-02	1080229	1	Air Cylinder
<b>32</b>	BH-9668-16	1080182	1	Nylok Capscrew
<b>33</b>	BH-9668-17	1081605	1	Pin
<b>34</b>	BH-9668-18	1080171	1	Link
<b>35</b>	BH-9668-19	1080174	1	Pawl
<b>36</b>	BH-9668-20	1080173	1	Pawl, Tapped
<b>37</b>	BH-9668-21	1080176	1	Link Assembly
<b>32-37</b>	BH-9668-22	1080228	1	Pawl Assembly
<b>38</b>	BH-9668-23	1080166	4	Shim
<b>39</b>	BH-9668-24	1080165	4	Guide Block
<b>40</b>	BH-9668-25	1081602	1	Bearing Block
<b>41</b>	F-TC-0375-16-1750	S-27069	2	12 pt. Capscrew
<b>42</b>	F-TC-0375-16-1500	S-27368	1	12 pt. Capscrew
<b>43</b>	BH-9667-01	S-18325	1	Button Valve (Old Style)
	<b>BH-9667-01RF</b>	S-18325x	1	Lift Lock Button Valve Retrofit Kit (Includes BH-9667-01B Valve, Bracket, and fasteners)
	BH-9667-01A			Valve (New Style)
<b>44</b>	BH-9666-88	1080398	1	Bracket
<b>45</b>	F-HC-0375-16-1000	S-105	2	Capscrew
<b>46</b>	F-HN-0250-20	S-21268	2	Hex Nut
<b>47</b>	F-HC-0250-20-0875	S-3975	2	Capscrew
<b>48</b>	BH-9667	1080800	1	Steel Lift Lock Leg



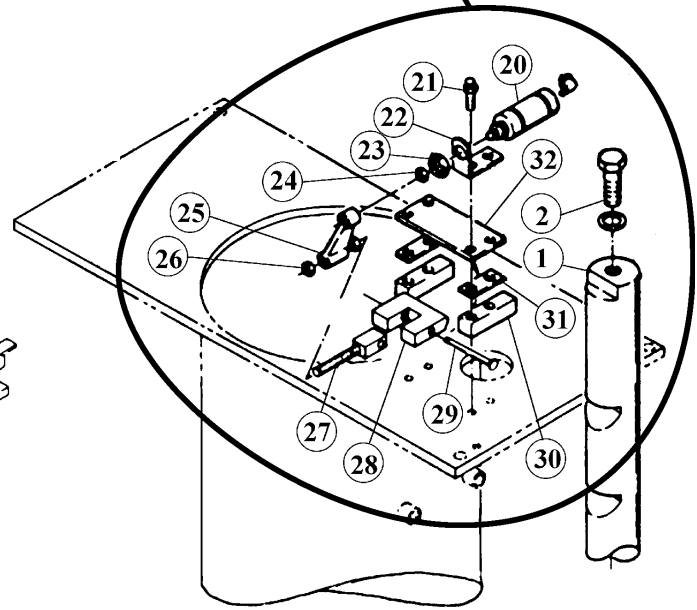
# MC-301 & MC-304 10-5/8" Moveable Front

## Lift Locks

SV-56F or  
BH-9667-96



SV-56R or  
BH-9667-97



# MC-302 & MC-303 10-5/8" Stationary Rear

Item	SVI part #	OEM #	Req	Description
	SV-56F			Multi-Lock Kit - Front
	BH-9667-96			Multi-Lock Kit without Leg - Front
	SV-56R			Multi-Lock Kit - Rear
	BH-9667-97			Multi-Lock Kit without Leg - Rear
1	BH-9667	1080800	1	Solid Steel Lift Leg
2	F-HC-0750-10-2000	S-3535	1	Capscrew
	F-LW-0750	G-103326	1	Lockwasher
3	BH-9666-96	1080852	1	Cover Plate
4	BH-9667-03	S-25534	1	Front Air Cylinder
5	BH-9666-90	S-18336	1	Hose
6	BH-9666-91	1080837	1	Bracket
7	F-HC-0312-18-0500	S-2911	2	Capscrew
8	F-JN-0625-18	S-2250	1	Jam Nut
9	BH-9666-92	S-27109	1	Clevis
10	F-RP-250-1750	S-14110	1	Roll Pin
11	BH-9666-93	1080835	1	Front Pawl
12	BH-9666-94	1080836	1	Hold Down
14	BH-9666-95	10808341		Leg Housing
15	F-HC-0250-20-0750	S-3975	2	Capscrew
16	<b>BH-9667-01</b>	S-18325	1	Lift Lock Button Valve
16	<b>BH-9667-01RF</b>	S-18325x	1	Lift Lock Button Valve Retrofit Kit (Includes BH-9667-01B Valve, Bracket, and fasteners)
17	BH-9666-88	1080398	1	Bracket
18	BH-9666-89	S-18326	1	Special Valve Cap EC-105
19	F-HC-0375-16-1000	S-105	2	Capscrew
20	BH-9667-02	S-25502	1	Air Cylinder - Rear

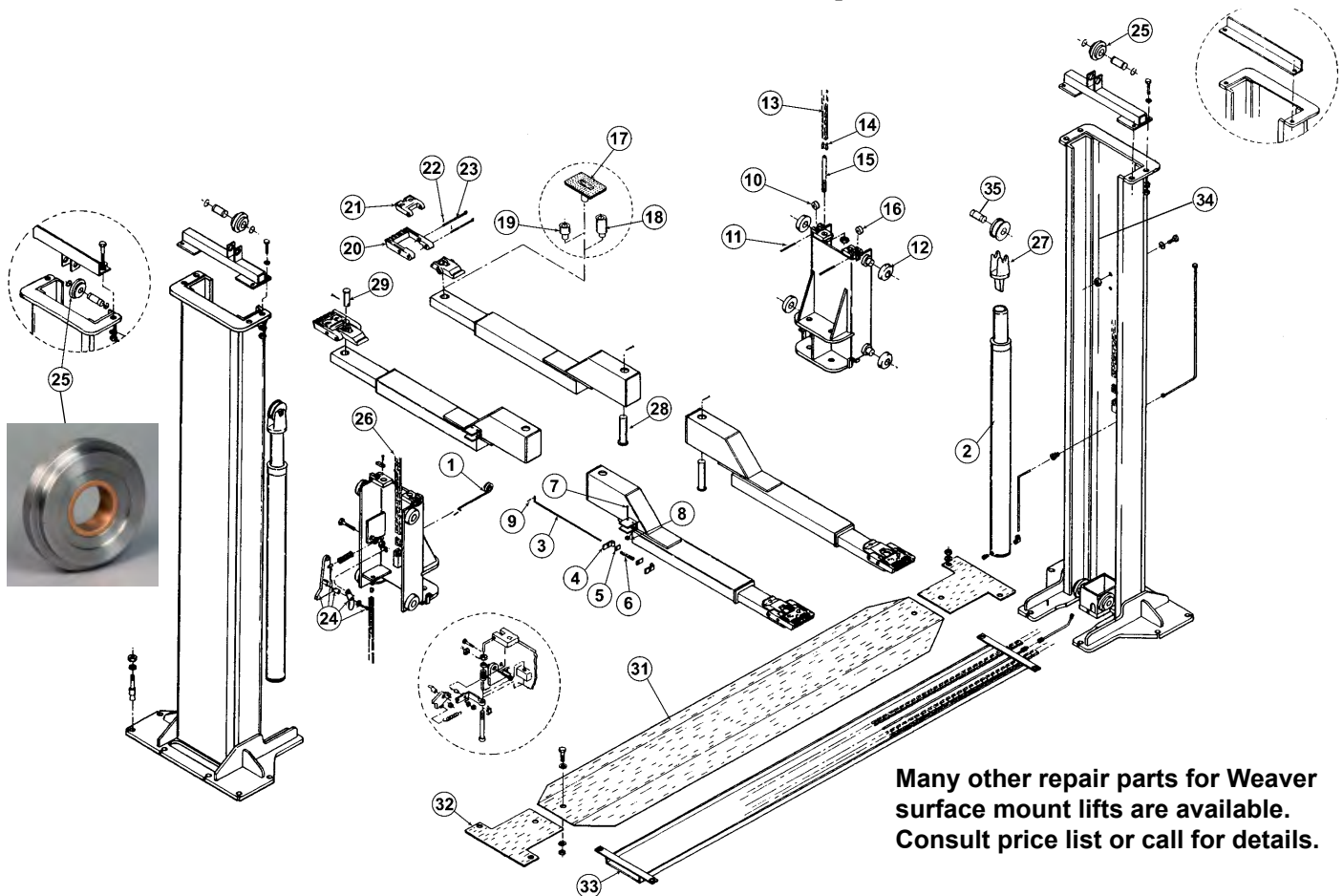
Item	SVI part #	OEM #	Req	Description
21	F-TC-0375-16-1500	S-27368	2	12 pt. Capscrew
22	BH-9666-99	1080814	1	Bracket
23	F-JN-0625-18	S-2250	2	Jam Nut
24	F-JN-0312-24	S-7927	1	Jam Nut
25	BH-9666-98	1080813	1	Bracket
26	F-JN-0312-18	S-1087	1	Jam Nut
27	BH-9666-97	1080815	1	Rod
28	BH-9667-04	1082578	1	Pawl - Rear
29	BH-9666-87	S-22443	1	Roll Pin
30	BH-9667-05	S-27228	1	Bottom Plate
31	BH-9667-06	S-27227	2	Shim
32	BH-9667-07	S-27229	1	Top Plate



**Lift Lock  
Button Valve  
Retrofit Kit for  
Weaver**

**BH-9667-01RF**  
(ref S-18325x)

# AFH-50A, 70B, 90B Surface Lift Repair Parts



Many other repair parts for Weaver surface mount lifts are available. Consult price list or call for details.

Item	SVI part #	OEM #	Req	Description
1	BH-7600-10	1086049	2	Lock Lever
2	BH-7600-13	KL-313	2	Hydraulic Cylinder (AFH 70/90)
3-8	BH-7601		4	Arm Lock Assembly
3	BH-7601-01	1086371	4	Arm Lock Rod
4	BH-7601-02	1085990	8	Squeeze Plate
5	BH-7601-03	10859804	8	Lock Plate
6	BH-7601-04	1085989	4	Compression Spring
7	F-MS-0010-24-1750	1085991	4	Machine Screw
8	F-LN-0010-24	1085992	4	Lock Nut
9	F-RP-125-0750	S-14760	4	Roll Pin
10	BH-7606-20	1086095	8	Small Carriage Roller 1-1/2"
11	F-RP-437-2250	1086096	8	Roll Pin
12	BH-7606-21	1086665	8	Large Carriage Roller 4"
13*	BH-7026		1	Equalizing Chain
14	BH-7026-01	1086112	6	Master Link
15	BH-7606-10	1085240	2	Adjusting Screw
16	F-NL-0875-09	1085241	2	Nylon Lock Nut
17	BH-7606-34	1085831	4	Adapter Pad (Coated Steel)
18	BH-7606-35	1086635	4	5" Height Adapter
19	BH-7606-36	1086636	4	2-1/2" Height Adapter
20	BH-9620-05	M-2139	4	Adapter High Pad

Item	SVI part #	OEM #	Req	Description
21	BH-9620-06	M-2138	4	Adapter Low Pad
22	F-RP-125-0312	S-19326	4	Roll Pin
23	BH-9620-03	S-19977	8	Clevis Pin
24	BH-7621-10	1086517	2	Lift Lock (AFH-70/90)
	BH-7621-11	1086660	2	Lift Lock (AFH-50)
25	BH-7621-01	1086302	6	Chain Guide Wheel (AFH-70/90)
	BH-7621-02	1086677	3	Chain Guide Wheel (AFH-50)
26	BH-7029	1086108	1	Lift Chain 56-1/4" (AFH-70/90)
	BH-7028	1086681	1	Lift Chain 44-1/4" (AFH-50)
27	BH-7600-02	1086950	2	Cylinder Roller Bracket
28	BH-7606-32	1086530	4	Arm Pin (AFH-70)
29	BH-7606-33	1086325	4	Swivel Pin for Arms
30	BH-7621-13	1086619	2	Chain Roller 5"
	BH-7621-13			Chain Roller 4"
31	BH-7621-16	1086072	1	Chain Trough Cover
32	BH-7621-17	1086056	2	Base Closing Plate
33	BH-7621-18	1086071	1	Chain Trough
34	BH-7610-01			Slider Block
35	BH-7621-13A			Shaft for Roller

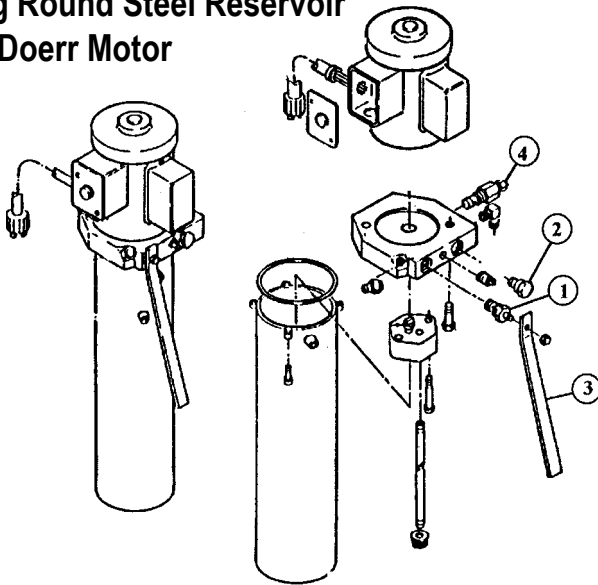
\* Please Specify Pin to Pin dimension. Chain available in 50' reels

See SVI's Height Extension and Rubber Pad Catalog.



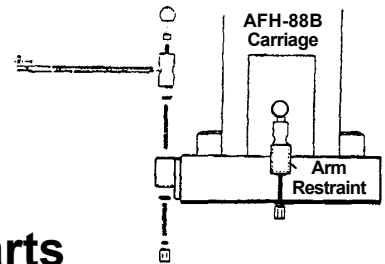
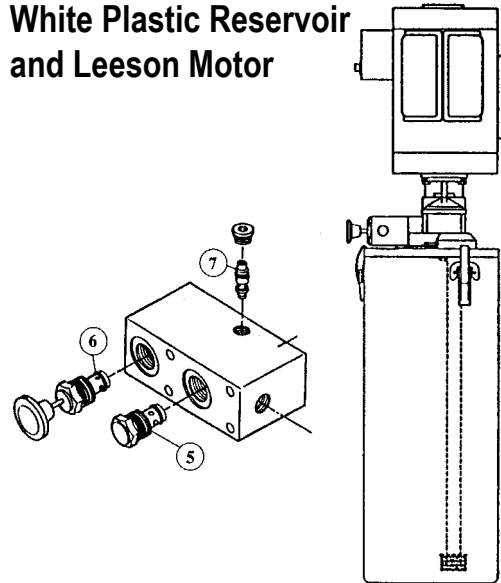
## Miscellaneous Surface Mount Lift Parts

### Power Units with Green or Black Long Round Steel Reservoir and Doerr Motor



Item	SVI part #	OEM #	Req	Description
1	BH-7601-12	1086721	1	Dump Valve for AFH-72
2	BH-7601-13	1088719	1	Check Valve for AFH-72
3	BH-7601-16	1086906	1	Lowering Handle
4	BH-7601-14	1086720	1	Relief Valve for AFH-72
5	BH-7601-11	1088466	1	Check Valve for AFH-88
6	BH-7601-10	1088465	1	Dump Valve for AFH-88
7	BH-7601-15	1088467	1	Vent Valve for AFH-88

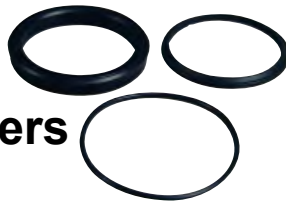
### Parker Power Units with White Plastic Reservoir and Leeson Motor



### AFH-88 Parts

SVI part #	OEM #	Description
BH-7621-20	1089153A	Arm Restraint Assembly for AFH-88B
BH-7621-09	1089039	Lift Lock Assembly for AFH-88B
BH-7621-12	1088239	Lift Lock Assembly for AFH-88A
BH-7621-19	1088969	4" Chain Roller for AFH-88B

### Hydraulic Cylinders and Seal Kits



SVI Seal Kit #	Ref #	Description
BH-7625-01	KL-291	AFH-50 with Press-on Bottom gland Threaded top gland and 4" dia. casing
BH-7625-02	KL-292	AFH-70/90 Original Design with weld-on gland, retaining wire, hyd. con. at top.
BH-7625-03	KL-293	AFH-70/90 2nd Generation with weld-on gland, threaded top gland, hyd. con. at top.
BH-7625-04	KL-341	AFH-70/90, AFH-72 last design with screw-on bottom gland, Set Screw below top gland.
BH-7625-05	KL-357	AFH-88A Seal Kit
BH-7625-07		AFH-88B Seal Kit
BH-7625-08		AFH-72 Second Generation Seal Kit
BH-7625-09	KL-300	T-90/T-12 Seal Kit prior to May 1984.
BH-7600-13	KL-313	2 Post Replacement Hydraulic Cylinder for AFH-70/90 & AFH-72 w/ 2 cyl.

### AWH-72 Parts

SVI part #	OEM #	Description
BH-7625-15	1087095	Locking Dog for AWH-72
BH-7625-16	1087143	Release Pivot for AWH-72
BH-7625-17	1087609	L.H. Bottom Arm Bracket for AWH-72
BH-7625-18	1087566	L.H. Top Arm Bracket for AWH-72
BH-7625-19	1087608	R.H. Bottom Arm Bracket for AWH-72
BH-7625-20	1087592	R.H. Top Arm Bracket for AWH-72
BH-7610-01		Cast Iron Bearing Blocks for AFH-72 w/2 cyl.
BH-7601		Arm Restraint Kit (Set of 4 / 1 Lift)



# Adjust-to-Fit Upper Bearing Kits

# ATF

Same as Standard, but with an Adjust-to-Fit groove for a perfect field fit and replaceable bearing.

*ATF kits are available for the following lift makes:*

- Challenger
- Globe
- Rotary
- SVI Power Post
- Weaver
- Western

**Adjust-to-Fit (ATF)** kits offer the solution to more accurately and easily reduce plunger rock on many reliable in-ground lifts still in service today. Until 2008, correcting plunger rock had been a time intensive repair activity. Detailed plunger measurements were needed and upper bearings had to be custom machined to size. Most everyone involved really just crossed their fingers in hope that the measurements went just right. SVI's Adjust-to-Fit Upper Bearing Kits take away all the guesswork. Each ATF kit is shipped with exactly what you need to correctly and easily field-fit the upper bearing to the snugest setting.



Plus, the new upper bearing kit housing will last virtually forever. The only thing that will need to be replaced from time to time is the actual bearing strip.

Thousands of lifts in service still need this product. Contact all vehicle lift owners that you know with this problem and offer up the solution. While you perform this repair, you will not only do a nice job, but also have an extremely satisfied and happy customer for life. Increased service revenue is right at your fingertips.

**Adjust-To-Fit upper bearings are a real problem solver.**

**7-1/2", 8-1/2", 10-5/8" and 12-5/8"**  
Call to learn more.

## Adjust-To-Fit Upper Bearing Kit for **Western** 10-5/8" Cylinders



SVI Exclusive BH-1778D-ATF

**10-5/8" Adjust-To-Fit Upper Bearing Kit  
for Western**

Innovation that fits—an ATF for Western lifts. **Adjust-To-Fit upper bearings** are a real **problem solver** and available for Western lifts. Without SVI, there had been no way to solve plunger rock problems with a Western lift because the cylinders are not repairable. SVI's proven-to-work kit solves this problem in all but the most extreme cases.

Installation is a breeze. In fact, installing an ATF on a Western is no different than replacing a seal. Each kit ships complete with an upper bearing housing, seal/wiper combo, a rubber o-ring, a glass filled nylon bearing and special spacer strips. The spacer strips allow you to adjust the tightness of fit for the bearing during installation. You simply install as many spacer strips as required in the bearing groove beneath the bearing for the proper fit.

When you have an idea, need something special, or just simply want a problem you are encountering solved, give us a call. We will see what we can come up with. SVI has an innovative can-do spirit and enjoys working on solutions to challenges and opportunities that you discover every day.

*Helps save **Western** lifts and keep them reliably in service.*

All names, numbers, symbols and descriptions are used for reference purposes only. It is not implied that any part listed is the product of these manufacturers. Information subject to change. Entire contents copyright © 2019, SVI International, Inc.

**SVI International, Inc.**  
155 Harvestore Drive • DeKalb, IL



**800-321-8173 • fax: 800-899-1784**  
**www.sviinternational.com**



# SVI's Product Line is Vast

CONTACT US TODAY IF THERE'S SOMETHING YOU CAN'T FIND

800-321-8173 • 815-748-0200 • www.sviinternational.com



## Shims for 3/4" Wedge and Screw Anchors

*Color Coded Shims are In-Stock! Order Today!*

BH-7512-92	Assortment	150 Shims (50 each)
BH-7512-90	1/16" Blue	Pack of 50
BH-7512-91	1/8" Red	Pack of 50
BH-7512-89	1/4" Black	Pack of 50

## HEAVY DUTY PLASTIC SLOTTED SHIMS

Extra-thick shims make it easy to level and align 2- and 4-post surface mount lifts. These rugged plastic shims will not corrode, rot or rust. A must-have for every professional lift installer in the industry.



Installation Kits Available

## Installation Supplies

- Carbide Drill Bits
- Core Bits
- Epoxy and Adhesives
- Wedge Anchors
- Screw Anchors
- Rebar Cutters and Adapter
- Rod Seal Install Tools
- Safety & Inspection Stickers

Many Sizes Available!

Available!



**Simpson Carbide Drill Bits** Many Options and Sizes Available!

BH-7064Q-12-21 (Drilling Depth 16" / 3/4" dia.) SDS Max Quad Head Bit

BH-7065Q-12-23 (Drilling Depth 18" / 3/4" dia.) Spline Shank Quad Head Bit

BH-7065Q-12-16 (Drilling Depth 11" / 3/4" dia.) Spline Shank Quad Head Bit



## Wheel / Tire Hanger Kits

Increase Efficiency • For Any Budget



SF-92100 Set of 2

BH-7545-70K-4 Kit of 4  
BH-7545-70K Individual  
*Includes Hardware*



**Wedge Anchors**  
Many Sizes Available!  
BH-7075-03  
3/4" x 5-1/2"

Ask How to Get Free Shipping on Wedge Anchors!



**Screw Anchors**  
Many Sizes Available!  
BH-7075-26  
1/2" x 4"  
BH-7075-37  
3/4" x 5"



**Rod Seal Install Tool Set**  
BH-7079-01  
Includes 3 Install Tools to Service 3/4" ID Seals up to 3" ID Seals



**Inspection Stickers**  
Roll of 250  
BH-7011-11

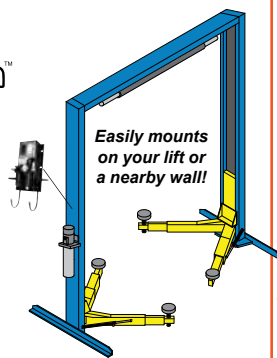
ASK FOR OUR INSTALLATION SUPPLIES CATALOG

## Air / Hydraulic Pumps for Rolling Bridge Jacks

Options Available—Call Today!



**POWER STATION™ AIR / ELECTRIC UTILITY BOX**  
4 Colors Available



Easily mounts on your lift or a nearby wall!

## Vehicle Lifts and Lifting Equipment

New Lifts for Cars, Trucks, Buses, Motorcycles, UTVs and More  
Replacement Cylinders Sections & Kits • Turf Trays for 2-Post Lifts





# SVI's Product Line is Vast

CONTACT US TODAY IF THERE'S SOMETHING YOU CAN'T FIND

800-321-8173 • 815-748-0200 • [www.sviinternational.com](http://www.sviinternational.com)

**INCREASE EFFICIENCY • ELIMINATE COSTLY DAMAGE TO DOORS • REDUCE STRESS OF SHOP TECHNICIANS**

*doorjammer* **PRO**™  
Durable • Impact Resistant

A Must-Have for All 2-Post Lifts!

**Available in 2 Sizes!**

- BH-7077-02-2S    12" tall x 18" wide
- BH-7077-02-2    24" tall x 18" wide

**Prevents Door Dings!**  
Just one damaged door can cost  
**3 times as much** as a simple investment  
in one SVI doorjammerPRO™.



## Auto Lift Cables and Chain Sheaves / Pulleys / Chain Rollers



## TURF AND UTILITY TRAYS

**FOR 2-POST LIFTS**  
SYMMETRIC / ASYMMETRIC

The #1 Choice for  
Symmetric or Asymmetric  
2-Post Surface Mount Lifts  
and In-Ground  
Side-By-Side, too!



## Hose Reel Hose Stops

Options Available—Call Today!



## Auto Lift Power Units and Parts

Call SVI today!



## Tire Changer Parts and Accessories

For Most Makes and Models

See our [Tire Changer Repair Parts Catalog!](#)



## Brake Lathe Repair Parts

For Most Makes and Models

See our [Brake Lathe Repair Parts Catalog!](#)







DIRECT FIT™ BRAND

SVI International, Inc.

Catalogs and Information Online: www.sviinternational.com

**AUTO LIFT REPAIR PARTS FOR ALL MAKES & MODELS**

~NO MATTER THE AGE OF THE LIFT!

- Arm Restraint Kits & Parts
- Cables—Lifting and Equalizing
- Chain
- doorjammerPRO - Door Protection Pad
- Height Extensions and Rubber Pads
- Installation Products & Tools
- Power Units and Parts
- Pulleys and Chain Rollers
- Seal Kits for In-Ground & Surface Mount
- Safety Legs / Non-Rotators
- Replacement Lift Kits
- Power Post Lifting Systems
- Tanks for In-Ground Lifts
- Turf Attachments for 2-Post Lifts

**SURFACE MOUNT LIFT PARTS FOR:**

Acanus	Gemini	Quality
Ammco®*	Gilbarco	Ranger
Alamo /	Globe	Ravaglioli
ASSSA	Grand	Rotary Lifts
ALM	Hofmann	Silent Tech
AMI	Hydralift	Slift
Ashawa	Ime Istobal	Somers Souriau
Ben Pearson	Kismet	Stenhoj
BendPak	Kimm	Stertil Koni
Benwil	Koni	Sun
Bishamon	Launch	Tecalemit
Boston	Laycock	Titan
Bradbury	Lincoln	Weaver
Cascos	Maha	Werther
Consul	Manitowoc Lifts	Western
Challenger	Mohawk	Westinghouse
Force	Nussbaum	Wheeltronic
Ford Smith	OMA	Worth
Forward	OMCN	Zippo
Fuchs/Zippo	PMW	

**IN-GROUND LIFT PARTS FOR:**

Benwil	Gilbarco	PKS Lifts
Challenger	Globe	Rotary
Cochin	HDL/ISS Innovative	US Hoist
Curtis	Joyce	Weaver
Ford Smith	Manitowoc Lifts	Western

**AIR COMPRESSOR PARTS**

- Air Receiver Tanks • Compressor Mufflers
- Automatic Tank Drain Valve for Champion Compressors
- Filters—Many OEM Ref Available!
- Filters, Regulators, Lubricators
- Intake Filter Products
- Milton Air System Products
- Re-Coil Hose • Valves
- Vibration Dampening Pads & much more!

**BRAKE LATHES REPAIR PARTS**

- Brake Lathe Repair Parts and Accessories for All Makes

**EXHAUST REMOVAL SYSTEMS & PRODUCTS**

**FLUID DELIVERY**

- Lenz Fittings
- Steel Hydraulic Line Tubing and Fittings
- Strut and Hangers

**HOSE REELS BY REELCRAFT®**

**HYDRAULIC CYLINDERS—**

- Custom Single-Acting Large Bore Cylinders
- Also see "Lifting Equipment"

**LIFTING EQUIPMENT**

- New In-Ground Lifts—Car, Truck & Bus
- Small Equipment Shop Maintenance (SESM) Lifts for lifting Landscape Equip. ATVs / UTVs, Motorcycles, Lawn Mowers, Golf Carts and More!
- Custom Lifting Equipment incl. Production Line Lifts, Rail Car Lifts and More
- Custom Hydraulic Cylinders for Various Applications
- Turf Attachments for 2-Post Lifts
- In-Ground Lift Sections and Kits
- And more!

**EASY TO ORDER:**  
**800-321-8173**  
**815-748-0200**  
Fax: 800-899-1784 • 815-748-0210  
E-Mail: parts@sviintl.com  
www.sviinternational.com

**LUBRICATION & PAINT / FOAM SPRAY REPAIR PARTS & KITS FOR:**

- Alemite • ARO • Balcrank • Graco • Lincoln

**PETROLEUM EQUIPMENT & REPAIR PARTS FOR:**

- Gas Pump & Meter Kits and Parts for Gasboy • Tokheim • Fill-Rite
- Including Parts for Older Pumps: Wayne • Bennett • Gilbarco • Bowser A.O. Smith (Geosource) • Southwest

**SEAL KITS**

**SHOP EQUIPMENT**

- Hein-Werner Products • Omega Products
- Porto-Power • Pro-Lift

**TIRE EQUIPMENT REPAIR PARTS**

- Tire Changer and Wheel Balancer Parts for All Makes

Accu-Turn	FMC	Nussbaum
All Tool	Giuliano	Ranger
Ammco®*	Hofmann	Sicam
BaseLine®*	Hunter	Sice
Bosch	John Bean /	Snap-On
Cemb	(JBC)	Teco
Coats®*	Kwik-Way	Tuxedo
Corghi	Launch	

**VALVES**

- Air Compressor Valves of All Types
- Air and Hoist Control Valves
- Ball Valves • Check Valves
- Kingston Valves • Pressure Relief Valves
- Relief Valves • Safety Valves
- Solenoid Valves
- Tire Changer Valves • And More!

**CUSTOM PRODUCTS**

And let us know if you want something you use in your shop to be added to our product line!

**DIRECTFIT™** In addition to SVI's DIRECT FIT™ BRAND, we are proud to be a one-stop shop for many other great products including:



3 Ready-Ship Warehouses for Faster Shipping! | **BALTIMORE • CHICAGO • LOS ANGELES**

**Main Office:** 155 Harvestore Drive • DeKalb, IL 60115

All names, numbers, symbols and descriptions are used for reference purposes only. It is not implied that any part listed is the product of these manufacturers.

SVI does not represent and is not associated in any way with any other companies. Entire contents copyright © 2021, SVI International, Inc. Prices subject to change without notice.

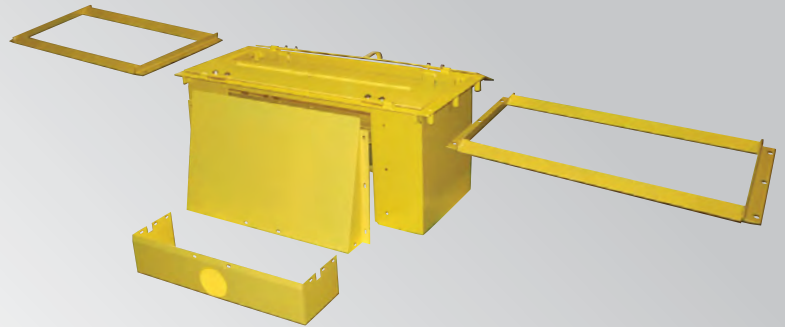
\*AMMCO, BASELINE, COATS and DUCKHEAD are registered trademarks of Hennessy Industries, Inc. SVI International, Inc. is not associated in any way with Hennessy Industries, Inc.

**TERMS AND CONDITIONS OF THE  
SALES ORDER  
FOR SVI INTERNATIONAL, INC.**

1. **GENERAL.** The terms and conditions of sales order outlined herein shall apply to the sale by SVI INTERNATIONAL, INC. (hereinafter referred to as "Company") of the items described on the facing page (hereinafter referred to as "Merchandise") to Purchaser.
2. **DELIVERY.** Delivery shall be deemed to be complete when the Merchandise has been shipped F.O.B. Company's plants in DeKalb, Illinois, Montclair, California; and Hanover, Maryland ("Company's plants"). Shipments are subject to delays from causes or contingencies beyond the reasonable control of the Company. When otherwise not specified, shipments will be made in standard containers via carrier which, in the judgment of the Company, will result in the most practical method. Title and right of possession will pass to the Purchaser upon receipt by the carrier at the shipping point. If a customer of the Company should specify a specific carrier's method of shipment (i.e. UPS Next Day Air) and that carrier does not perform to the customer's expectations, freight credit to a customer's account will not be issued unless the Company can first obtain a credit.
3. **RISK OF LOSS.** Identification of the Merchandise under Uniform Commercial Code (hereinafter referred to as "UCC") Section 2-501 shall take place at the moment of shipment F.O.B. Company's plants. Risk of loss shall pass to the Purchaser when the Merchandise is shipped from the Company's plants.
4. **TITLE.** Title to the merchandise shall transfer to the Purchaser when the Merchandise is shipped from the Company's plants.
5. **WARRANTIES.** The Company guarantees its products to be free from defects in workmanship and raw materials for a period of one year from date of purchase. THIS WARRANTY IS EXPRESSLY IN LIEU OF ANY AND ALL WARRANTIES EXPRESS OR IMPLIED. COMPANY DOES NOT WARRANT THE MERCHANDISE IS MERCHANTABLE OR FIT FOR ANY PARTICULAR PURPOSE. Company's liability for breach of the terms of this Agreement, including any warranty, is limited to either refund of the invoice price of the Merchandise or at Company's option, replacement of the Merchandise free of charge, including transportation charges but not including the cost of labor. Purchaser has not relied on any statement or upon the conduct of Company with respect to the prospective use of the merchandise. Company shall not be liable for and Purchaser waives any and all claims for any loss or damage, directly or indirectly, arising from the use of the Merchandise and for punitive, incidental or consequential damages, including, but not limited to, damages to property, for loss of use, loss of time, loss of profit or loss of income. The Company does not authorize the sale of our products under any other warranty, expressed or implied. **Please note:** Electrical components and cylinder or shaft seals are not covered under warranty.
6. **SETOFF.** All claims for money due or to become due from the Company shall be subject to deduction by the Company for any setoff or counterclaim arising out of this or any other claims of the Company or its affiliated companies, whether such setoff or counterclaim arose before or after any assignment by Purchaser.
7. **INDEMNIFICATION.** Purchaser agrees to indemnify the Company and hold it harmless from and against all claims, liability, loss, damage or expense, including reasonable counsel fees, arising from or by reason of any modifications or alterations made by Purchaser. If a customer of the Company modifies or alters any part, in any manner whatsoever, or uses any part in departure from recommended performance specifications, said customer agrees to indemnify and hold the Company harmless from and against all liability and expenses based on damage to property or injury to or death of any person arising out of or attributable to such modified or altered part. Further, the Company will not accept any such modified or altered part for credit to a customer's account.
8. **FREIGHT POLICY.** Freight charges are prepaid and added to invoice or collect FOB shipping point. Note: All customers are responsible for all carrier shipping costs, fees, surcharges, etc. including order refusal and return fees.
9. **RETURN POLICY.** To return a part for credit or inspection, Purchaser must first contact our Main Office in Illinois, to obtain a Return Merchandise Form. Once Purchaser has obtained this form, the parts can be returned freight prepaid only. The Return form must be included with the shipment. Parts returned to the Company without the approved form will be returned freight collect to the shipper or refused. Returns must be initiated within 30 days of the invoice date. The Return Forms are valid for 30 days, from the date of issue. All Returns are subject to restocking charges. Return parts brought into our remote warehouses, will not be accepted by our personnel, without a Return Merchandise Form from the Main Office. Parts which have been used in any way or manner, including any installation or incorporation into a lift, hoist, or other equipment, shall NOT be eligible for return whether or not a Return form has been assigned. **Please note:** Electrical parts or components are not returnable for credit. This includes all switches, pushbuttons, relays, electric motors, capacitors, fuses, solenoids, power units with wiring issues or any other electrical items. Custom, built to order, special order, and non-stocked genuine parts are non-returnable.
10. **RESTOCK CHARGE.** Returns are subject to a restocking charge. Refusals are subject to the same restocking charge plus the cost of outbound and return freight charges and/or fees incurred by the Company due to shipment refusal.
11. **PRICES AND PAYMENTS.** All prices are subject to change without notice. All prices are F.O.B. shipping point. The Company standard terms are net 30 days, C.O.D. company check, C.O.D. cash, VISA, MasterCard, Discover or American Express. However, if in the judgment of the Company, the financial condition of the Purchaser at any time does not justify shipment according to standard terms of payment, the Company may require full or partial payment in advance.
12. **INTERPRETATION.** This sales order is intended by the parties as a complete and exclusive statement of the terms of their agreement. It supersedes all prior agreements, written or oral. No course of prior dealings between the parties and no usage of the trade shall be relevant to supplement or explain any terms used in this sales order. Acceptance or acquiescence in a course of performance rendered under this purchase order shall not be relevant to determine the meaning of this sales order even though the accepting or acquiescing party has knowledge of the nature of the performance and opportunity for objection. Whenever a term defined by the UCC is used in this sales order the definition contained in the UCC shall control.
13. **MODIFICATION.** This sales order can be modified or rescinded only by a writing signed by both parties.
14. **WAIVER.** No claim or right arising out of a breach of this sales order can be discharged in whole or in part by a waiver or renunciation of the claim or right unless such waiver or renunciation is supported by consideration and is in writing signed by the aggrieved party.
15. **ASSIGNMENT.** No right or interest in this sales order shall be assigned by either party without the written consent of the other and no delegation of any obligation owed, or of the performance of any obligation by either the Company or Purchaser shall be made without the written consent of the other party. Any attempted assignment or delegation not made in conformity with this paragraph shall be wholly void and totally ineffective for all purposes.
16. **TIME TO PERFORM AND BRING ACTION.** Time is of the essence of this sales order. Any action for breach of this sales order shall be commenced within two (2) years after the cause of action has accrued. Any party who loses any litigation shall reimburse the other party for costs including reasonable attorney's fees. The exclusive jurisdiction for any legal action shall be the Circuit Court of DeKalb County, Illinois.
17. **APPLICABLE LAW.** This sales order shall be governed by the UCC of Illinois as effective and in force on the date of this sales order.



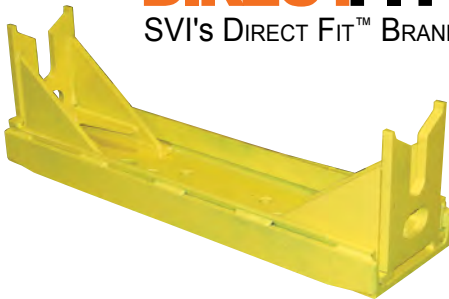
BALTIMORE • CHICAGO • LOS ANGELES



Power Units for  
In-Ground Lifts

- Air Compressor Parts and Filters
- Auto Lift Parts for Any Brand
- Auto Lift Cables and Chain
- Auto Lift Power Units and Parts
- Auto Lift Sheaves / Pulleys and Chain Rollers
- Brake Lathe Repair Parts for All Makes
- Exhaust System Products
- Fluid Delivery Repair Parts
- Hose Reels and Hose Stops
- In-Ground Auto Lifts
- Lubrication Equipment Repair Parts
- Petroleum / Service Station Pump and Tank Products
- Repair Parts for Gasboy Consumer Series
- SESM Lifts for ATV/UTV, Golf Cart and More!
- Tire Changer Repair Parts
- Turf Attachments for 2-Post Lifts
- Vehicle Lifting Systems
- Wheel Balancer Accessories

**DIRECTFIT™**  
SVI'S DIRECT FIT™ BRAND



## SVI International, Inc.

155 Harvestore Drive • DeKalb, IL 60115

**800-321-8173 • 815-748-0200**

Fax: 800-899-1784 • 815-748-0210