



**DIRECTFIT™**

# Auto Lift Repair Parts and Accessories for Benwil Lifts

Automotive Shop Equipment | Auto Lift Repair Parts

*The Industry's Largest Selection of Auto Lift Repair Parts*

SVI's DIRECT FIT™ BRAND



**SVI International, Inc.**  
155 Harvestore Drive • DeKalb, IL 60115

**800-321-8173**  
**815-748-0200**

[www.sviinternational.com](http://www.sviinternational.com)



CHICAGO • LOS ANGELES



See SVI's Height Extension and Rubber Pad Catalog for a big selection!!

# Table of Contents

**MISCELLANEOUS PARTS**.....3-5

**CABLE REFERENCE**.....6

## 2-POST

T-PRO-7 / 7W / 7L / 7WL..... 7-11

BW-7 / 7W / 7L / 7WL..... 12-17

BWO-7 / 7W / 7L / 7WL..... 14-20

BW-9 / 9L.....21-25

BWO-9 / 9L / 9H.....23-28

GPOA-7 / 7L / 7H.....29-35

GPOA-8 / 8L / 8H, GPOA-9 / 9L / 9H,  
GPOA-10 / 10L / 10H.....36-42

TPO-7 and TPO-55 Lifts.....45-47

TP-7 and TP-55 Lifts.....43-45

TP-9.....48-49

Grand Prix Series Models:

GP-55, GP-7 / 7W, Bishamon SP7, NP7.....50, 52

Grand Prix Series Models:

GPO-55, GPO-7 / 7W, Bishamon SA7, NA7.....51-52

Grand Prix Series Models:

Bishamon SL7, NL7.....52

## 4-POST

FP-12G and FP-12LR.....53-58

FP-7 and FP-7X.....59-61

FP-7S / 7XS.....60

## IN-GROUND

GPI-9.....62

In-Ground Lift Parts.....63

**DIRECTFIT™**

CHICAGO • LOS ANGELES

(800) 321-8173 • fax: (800) 899-1784

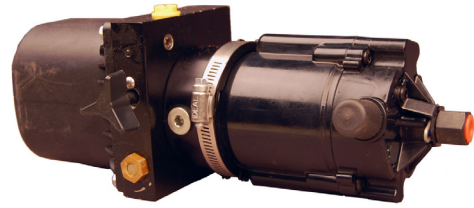
www.sviinternational.com

# Miscellaneous Parts for Benwil

**DIRECTFIT™**



**Arm Restraint Rebuild Kit for Benwil**  
**BH-7201-59**



**Pump for Benwil RJ-6 Rolling Jack**  
**BH-7213-80** (Ref 100723)

**Push Button Poppet Valve Service Kit**  
**BH-7214-70** (Ref BKU3005)



**Pulley for GPOA Series**  
GPOA7, GPOA8, GPOA9, GPOA10  
4.00" x .75" x .75"  
**BH-7202-007** (Ref 300731)

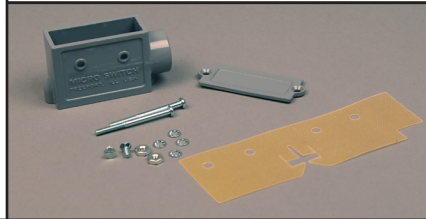
**Use Pins:**  
**BH-7210-39** - for Top  
(Ref 300837)



**BH-7209-88** - for Lower  
(Ref 300838)



**BH-7213-75**  
(Ref 500869)  
**Approach Ramp**  
for FP-28/32



**BH-7209-87**  
(Ref 300283)  
**Enclosure**



**Push-In Adapter**  
**Y Type Male**  
**BH-7214-78**  
(Ref BZ00025-03 or BZ00025-02)



**Cable Pulley for FP-32**  
**BH-7202-013**  
(Ref 500636)



**Taper Roller Bearing**  
**BH-7213-14** (Ref 81230307)



**Swing Arm, MR-6**  
**BH-7218-01**  
(Ref 400106-4-1)



**Quick Release Pin C12-53R**  
**BH-7206-45** (Ref 200363)



# SVI's Product Line is Vast

CONTACT US TODAY IF THERE'S SOMETHING YOU CAN'T FIND

800-321-8173 • 815-748-0200 • www.sviinternational.com



## Shims for 3/4" Wedge and Screw Anchors

*Color Coded Shims are In-Stock! Order Today!*

BH-7512-92	Assortment	150 Shims (50 each)
BH-7512-90	1/16" Blue	Pack of 50
BH-7512-91	1/8" Red	Pack of 50
BH-7512-89	1/4" Black	Pack of 50

## HEAVY DUTY PLASTIC SLOTTED SHIMS

Extra-thick shims make it easy to level and align 2- and 4-post surface mount lifts. These rugged plastic shims will not corrode, rot or rust. A must-have for every professional lift installer in the industry.



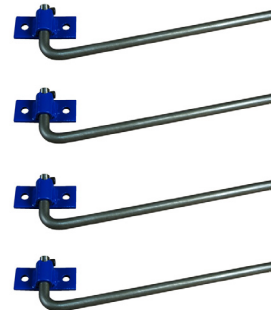
Installation Kits Available

## Installation Supplies

- Carbide Drill Bits
  - Core Bits
  - Epoxy and Adhesives
  - Wedge Anchors
  - Screw Anchors
  - Rebar Cutters and Adapter
  - Rod Seal Install Tools
  - Safety & Inspection Stickers
- Many Sizes Available!*



**Simpson Carbide Drill Bits** *Many Options and Sizes Available!*  
 BH-7064Q-12-21 (Drilling Depth 16" / 3/4" dia.) SDS Max Quad Head Bit  
 BH-7065Q-12-23 (Drilling Depth 18" / 3/4" dia.) Spline Shank Quad Head Bit  
 BH-7065Q-12-16 (Drilling Depth 11" / 3/4" dia.) Spline Shank Quad Head Bit



## Wheel / Tire Hanger Kits

Increase Efficiency • For Any Budget



SF-92100 Set of 2

BH-7545-70K-4 Kit of 4  
 BH-7545-70K Individual  
*Includes Hardware*



**Wedge Anchors**  
 Many Sizes Available!  
 BH-7075-03  
 3/4" x 5-1/2"

*Ask How to Get Free Shipping on Wedge Anchors!*



**Screw Anchors**  
 Many Sizes Available!  
 BH-7075-26  
 1/2" x 4"  
 BH-7075-37  
 3/4" x 5"



**Rod Seal Install Tool Set**  
 BH-7079-01  
 Includes 3 Install Tools to Service 3/4" ID Seals up to 3" ID Seals



**Inspection Stickers**  
 Roll of 250  
 BH-7011-11

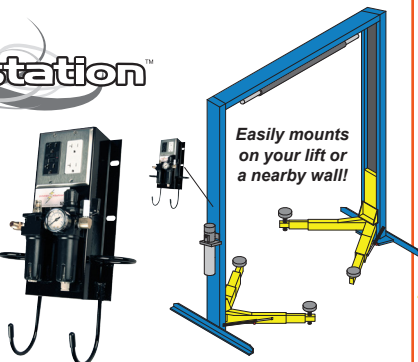
ASK FOR OUR INSTALLATION SUPPLIES CATALOG

## Air / Hydraulic Pumps for Rolling Bridge Jacks

*Options Available—Call Today!*



## POWER STATION™ AIR / ELECTRIC UTILITY BOX



*Easily mounts on your lift or a nearby wall!*

## Vehicle Lifts and Lifting Equipment

*New Lifts for Cars, Trucks, Buses, Motorcycles, UTVs and More*  
 Replacement Cylinders Sections & Kits • Turf Trays for 2-Post Lifts



# SVI's Product Line is Vast

CONTACT US TODAY IF THERE'S SOMETHING YOU CAN'T FIND

800-321-8173 • 815-748-0200 • [www.sviinternational.com](http://www.sviinternational.com)

**INCREASE EFFICIENCY • ELIMINATE COSTLY DAMAGE TO DOORS • REDUCE STRESS OF SHOP TECHNICIANS**

*doorjammer* **PRO**™  
Durable • Impact Resistant

A Must-Have for All 2-Post Lifts!

**Available in 2 Sizes!**

- BH-7077-02-2S    12" tall x 18" wide
- BH-7077-02-2    24" tall x 18" wide



**Prevents Door Dings!**  
Just one damaged door can cost  
**3 times as much** as a simple investment  
in one SVI doorjammerPRO™.



Patent Protected

## Auto Lift Cables and Chain Sheaves / Pulleys / Chain Rollers



## TURF AND UTILITY TRAYS

**FOR 2-POST LIFTS**  
SYMMETRIC / ASYMMETRIC

The #1 Choice for  
Symmetric or Asymmetric  
2-Post Surface Mount Lifts  
and In-Ground  
Side-By-Side, too!



## Hose Reel Hose Stops

Options Available—Call Today!



## Auto Lift Power Units and Parts

Call SVI today!



## Tire Changer Parts and Accessories

For Most Makes and Models  
See our [Tire Changer Repair Parts Catalog!](#)



## Brake Lathe Repair Parts

For Most Makes and Models

See our [Brake Lathe Repair Parts Catalog!](#)





# Cable Reference

**DIRECTFIT™**  
SVI's DIRECT FIT™ BRAND

SVI P/N	OEM#	O.A.L.	Dia.	Fits Lift Models
BH-7200-03	206572	27' 8"	7/16"	TP-7 Benwil, SPW3000 Bishamon
BH-7200-05	50573982	27' 3"	7/16"	TP-7 Maxon
BH-7200-07	205220	26' 4"	7/16"	TP-55 Benwil
BH-7200-09	50563981	25' 11"	7/16"	TP-55 Maxon
BH-7200-11C	50615041	18' 3"	7/16"	4-Post FP-7, LF
BH-7200-13	50615051	32' 8"	7/16"	4-Post FP-7, LR
BH-7200-15	50615061	37' 3"	7/16"	4-Post FP-7, RR
BH-7200-17	50616071	37' 7"	7/16"	4-Post FP-7
BH-7200-19	50616061	37' 0"	7/16"	4-Post FP-7
BH-7200-21	50617061	37' 10"	7/16"	4-Post FP-7X,RR
BH-7208-32	300805-1	404"	1/4"	GPOA-7
BH-7208-68	300805-2	387.25"	1/4"	GPOA-7L
BH-7208-69	300805-3	451.25"	1/4"	GPOA-7H
BH-7208-70	300805-4	392.375"	1/4"	GPOA-8
BH-7208-71	300805-5	439.625"	1/4"	GPOA-8L
BH-7208-72	300805-6	375.625"	1/4"	GPOA-8H
BH-7208-73	300806-1	391.375"	.312"	GPOA-9 / GPOA-10
BH-7208-74	300806-3	438.625"	.312"	GPOA-9H / GPOA-10H
BH-7208-75	300806-5	374.625"	.312"	GPOA-9L / GPOA-10L
BH-7208-80	500637-1	498.5"	5/8"	FP-32 LF
BH-7208-81	500637-3	572.38"	5/8"	FP-32 RF
BH-7208-82	500637-5	176"	5/8"	FP-28, 32 LR
BH-7208-83	500637-7	20' 10"	5/8"	FP-28, 32 RR
BH-7208-84	500637-9	448.5"	5/8"	FP-28 LF
BH-7208-85	500637-11	522.38"	5/8"	FP-28 RF
BH-7213-61	500215-3	12' 11-1/4"	3/8"	FP-12G
BH-7213-62	500215-5	18' 2-3/4"	3/8"	FP-12G
BH-7213-63	500215-7	30' 9-1/4"	3/8"	FP-12G
BH-7213-64	500215-9	36' 1"	3/8"	FP-12G

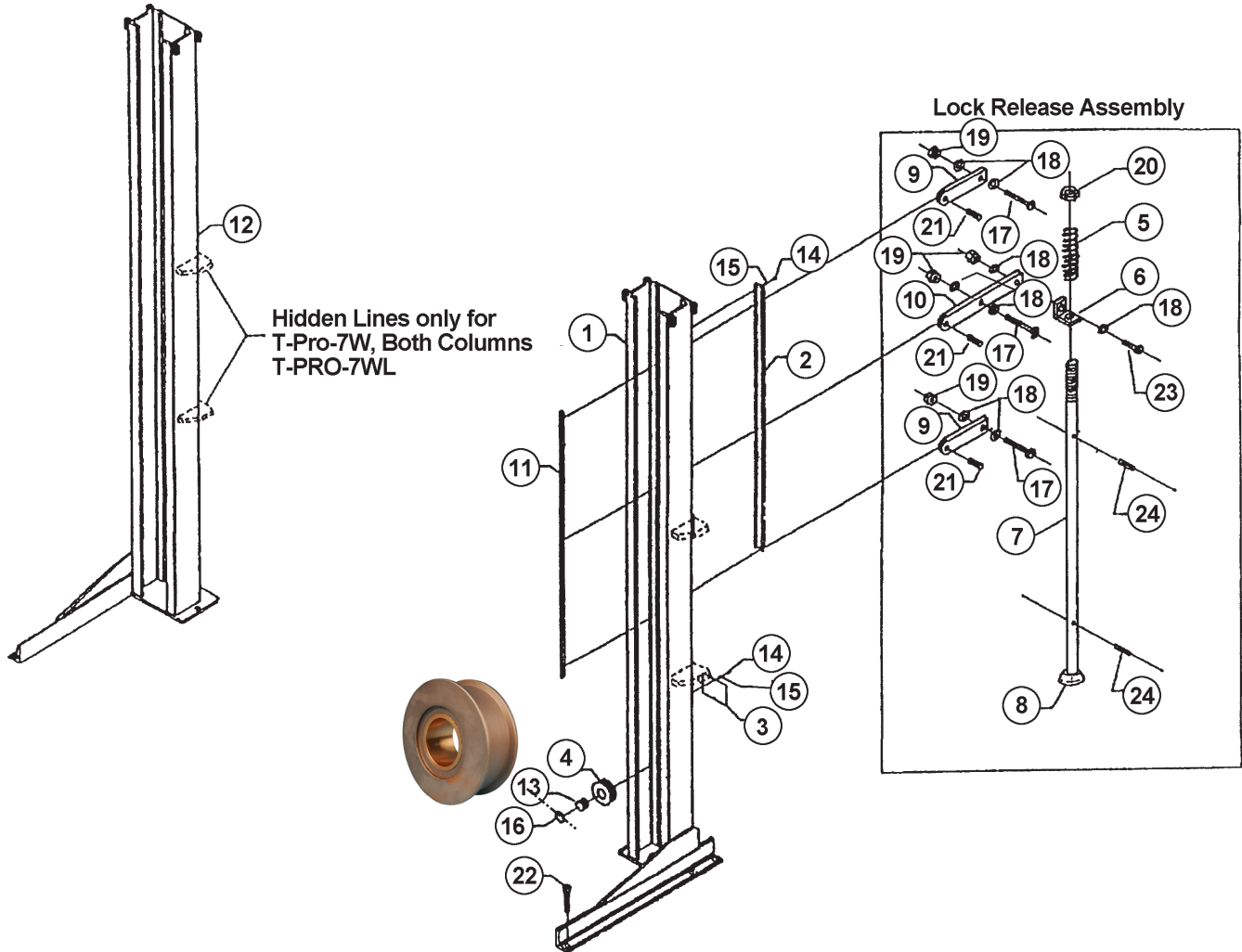
**2 Ready-Ship Warehouses**

- CHICAGO
- LOS ANGELES



T-PRO-7 / 7W / 7L / 7WL

**DIRECTFIT™**  
SVI's DIRECT FIT™ BRAND



Item SVI part #	OEM #	Description	7	7W	7L	7WL
1	call for details	300135-1 Column-Drive Side	1	--	1	--
	call for details	300135-3 Column-Drive Side	--	1	--	1
2	BH-7224-149	300165 Cover-Lock	1	--	1	--
	call for details	300594 Cover-Lock	--	1	--	1
3	call for details	300465 Cover-Clevis	1	1	1	1
<b>4</b>	<b>BH-7208-26</b>	<b>300069 Lower Sheave</b>	<b>1</b>	<b>1</b>	<b>1</b>	<b>1</b>
5	BH-7208-09	300397 Spring-Lock Release	1	1	1	1
6	BH-7208-64	300449 Angle-Lock Release	1	1	1	1
7	BH-7208-22	300574 Rod-Lock Release	1	1	1	1
8	BH-7208-36	300284 Knob-Lock Release	1	1	1	1
9	BH-7202-99	300178 Link-Lock Release	2	2	2	2
10	BH-7208-21	300450 Link-Lock Release	1	1	1	1
11	BH-7202-90	300596 Channel-Lock Release	1	1	1	1

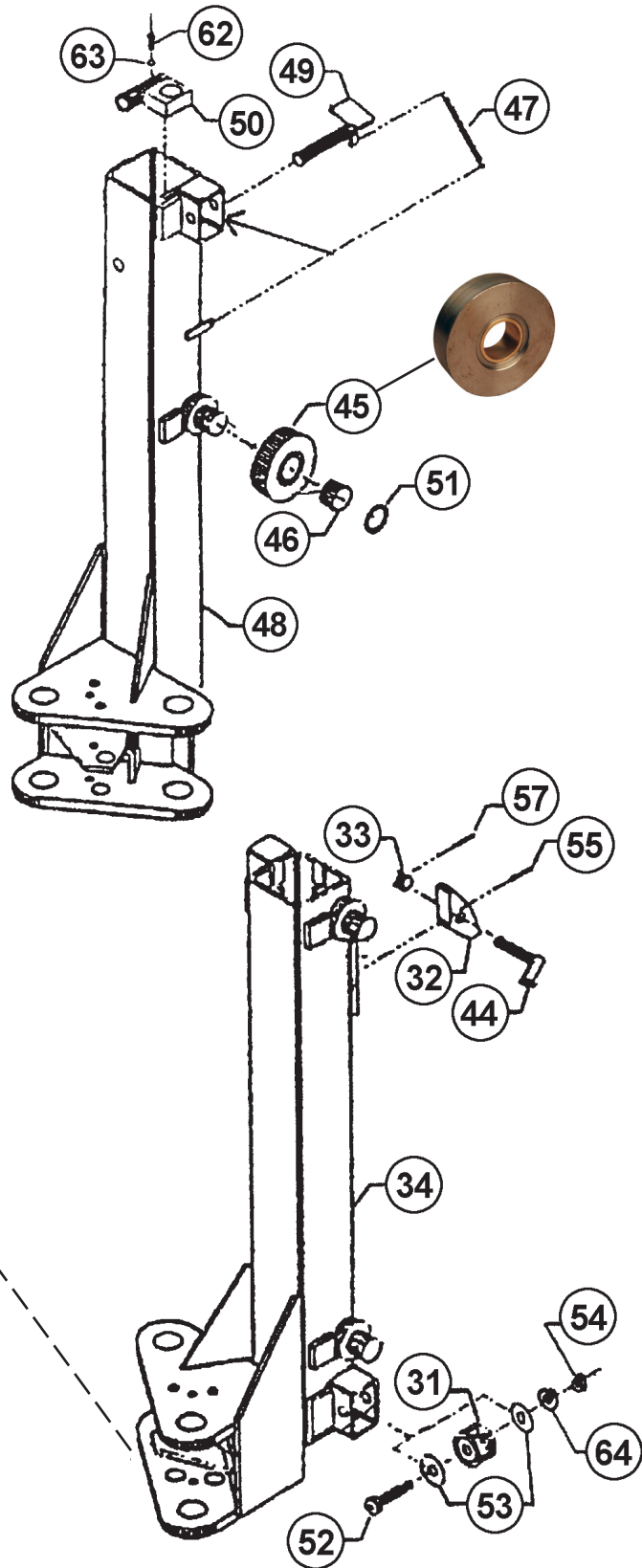
Item SVI part #	OEM #	Description	7	7W	7L	7WL
12	call for details	300134-1 Column-Driven Side	1	--	1	--
	call for details	300134-3 Column-Driven Side	--	1	--	1
13	BH-7205-53	500396-3 Self-Lube Bearing	1	1	1	1
14	F-HC-0250-20-0375	14-20"x3/8 Hex Head Bolt	4	4	4	4
15	F-FW-0250-SAE	1/4" Flat Washer	4	4	4	4
16	BH-7209-58	300218-12Ext. Retaining Ring	1	1	1	1
17	F-MS-0010-32-1000	#10-32 x 1 Phil. Hd. Mach. Screw	3	3	3	3
18	F-FW-0187-SAE	3/16" Flat Washer	8	8	8	8
19	F-NL-0010-32	#10-32 Nylon Inst. Hex Hd. Nut	4	4	4	4
20	F-HN-0375-16	3/8"-16 Hex Nut	1	1	1	1
21	F-RP-187-0437	3/16"x7/16" Roll Pin	3	3	3	3
22	BH-7224-131	500388 Anchor Bolt Assy.	6	6	6	6
23	F-MS-0010-32-0750	#10-32x3/4" Phil. Hd. Mach. Screw	1	1	1	1
24	F-RP-156-0750	5/32"x3/4" Roll Pin	2	2	2	2



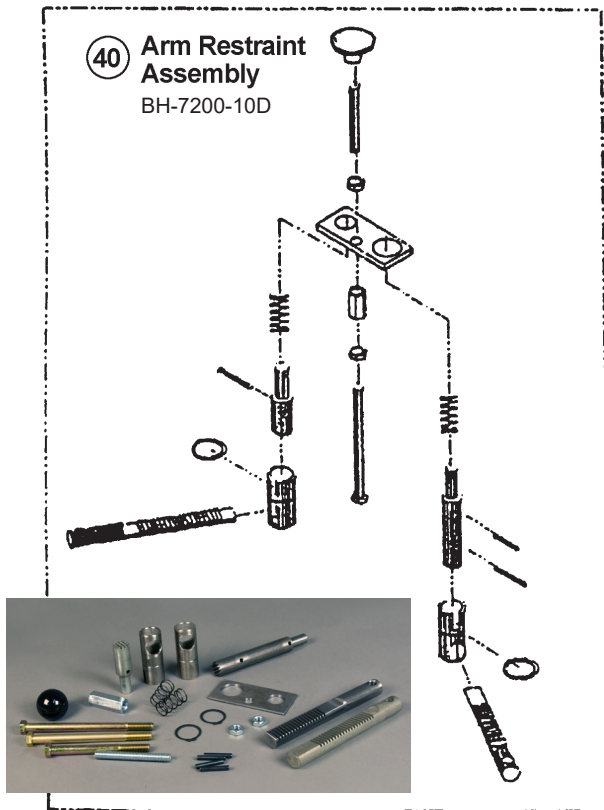
T-PRO-7 / 7W / 7L / 7WL

**DIRECTFIT™**  
SVI's DIRECT FIT™ BRAND

Item	SVI part #	OEM #	Description	7	7W	7L	7WL
31	BH-7208-11	300285	Roller Assy.-Side	4	--	4	--
	BH-7205-45	300378	Roller Assy.-Side	--	4	--	4
32	BH-7208-48	300055	Carriage Lock	1	1	1	1
33	BH-7208-49	300061	Spring-Lock	1	1	1	1
34	BH-7208-97	300374-3	Carriage-Drive Side	1	--	1	--
	call for details	300374-1	Carriage-Drive Side	--	1	--	1
36	BH-7208-15	300551	Restraint Pin-Rear Arm	2	2	2	2
40	BH-7200-10D	300271	Arm Restraint Assy.(1 side)	2	2	2	2
44	BH-7208-10	300077	Pin Assy. Lock	1	1	1	1
45	BH-7208-13	300153	Roller	6	6	6	6
46	call for details	500396-2	Self-Lube Bearing	6	6	6	6
47	BH-7209-59	300114	Spring Loose Chain Lock	1	1	1	1
48	call for details	300375-3	Carriage-Driven Side	1	--	1	--
	call for details	300375-1	Carriage-Driven Side	--	1	--	1
49	BH-7209-60	300464	Latch Assy.-Lock	1	1	1	1
50	BH-7209-61	300563	Lock-Loose Chain	1	1	1	1
51	BH-7202-006	300218-8	Ext. Retaining Ring	6	6	6	6
52	F-SB-0625-11-2000	5/8x2	Socket Shoulder Screw	4	4	4	4
53	F-FW-0625-USS	5/8x1-3/4	Flat Washer	8	--	8	--
	BH-7208-45	300606	Thrust Washer	--	8	--	8
54	F-NL-0500-13	1/2"-13	Nylon Insert Lock Nut	4	4	4	4
55	F-RP-0156-1500	5/32 x 1-1/2	Roll Pin	1	1	1	1
56	BH-7208-35	300573	Coupling Nut	2	2	2	2
62	F-HC-0250-20-0500	1/4-20 x 1/2	Socket Head Cap Screw	1	1	1	1
63	F-LW-0250	1/4"	Spring Lock Washer	1	1	1	1
64	F-FW-0500-SAE	1/2"	Flat Washer	4	4	4	4



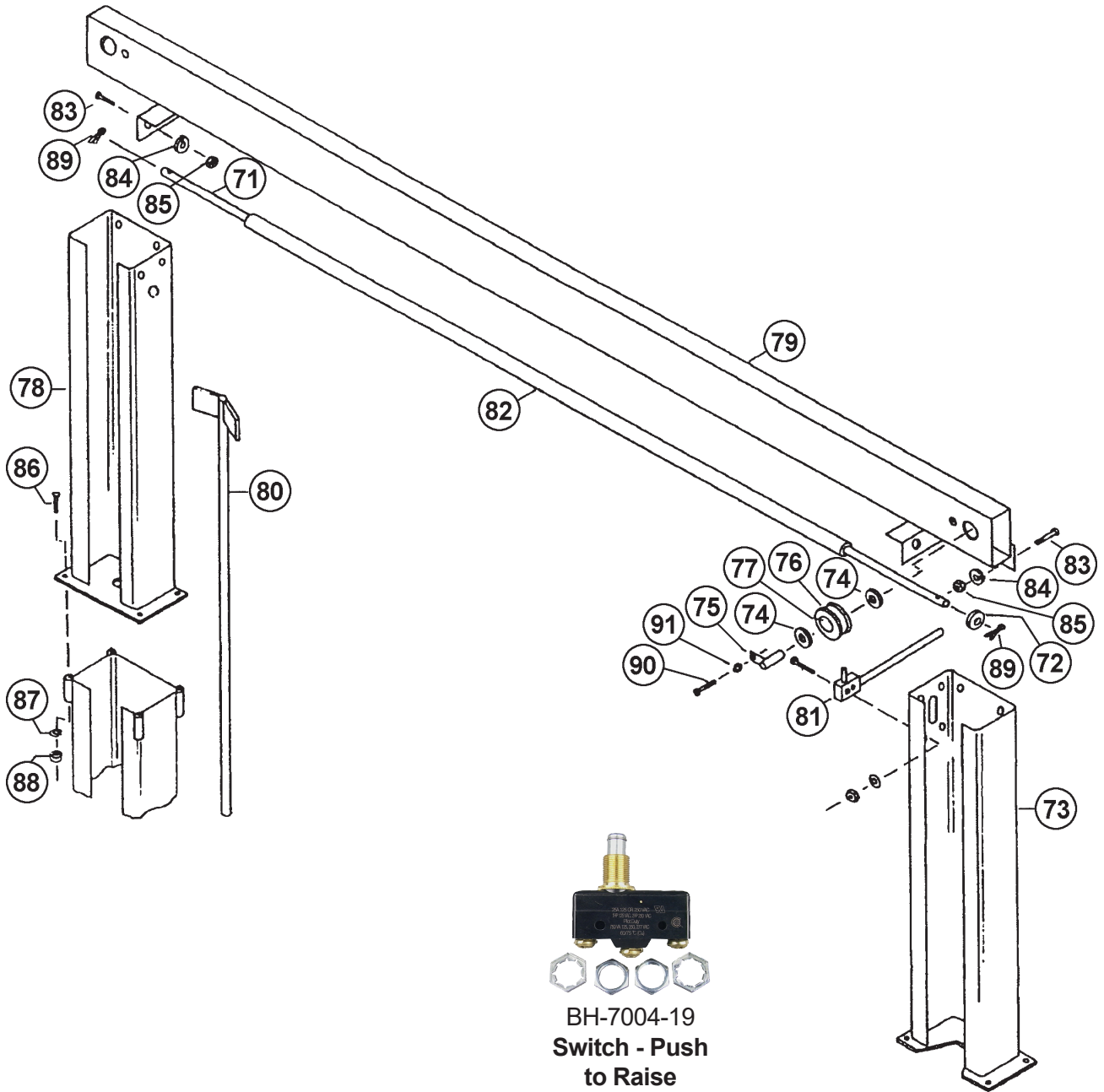
40 Arm Restraint Assembly  
BH-7200-10D





T-PRO-7 / 7W / 7L / 7WL

**DIRECTFIT™**  
SVI's DIRECT FIT™ BRAND



**BH-7004-19**  
**Switch - Push to Raise**

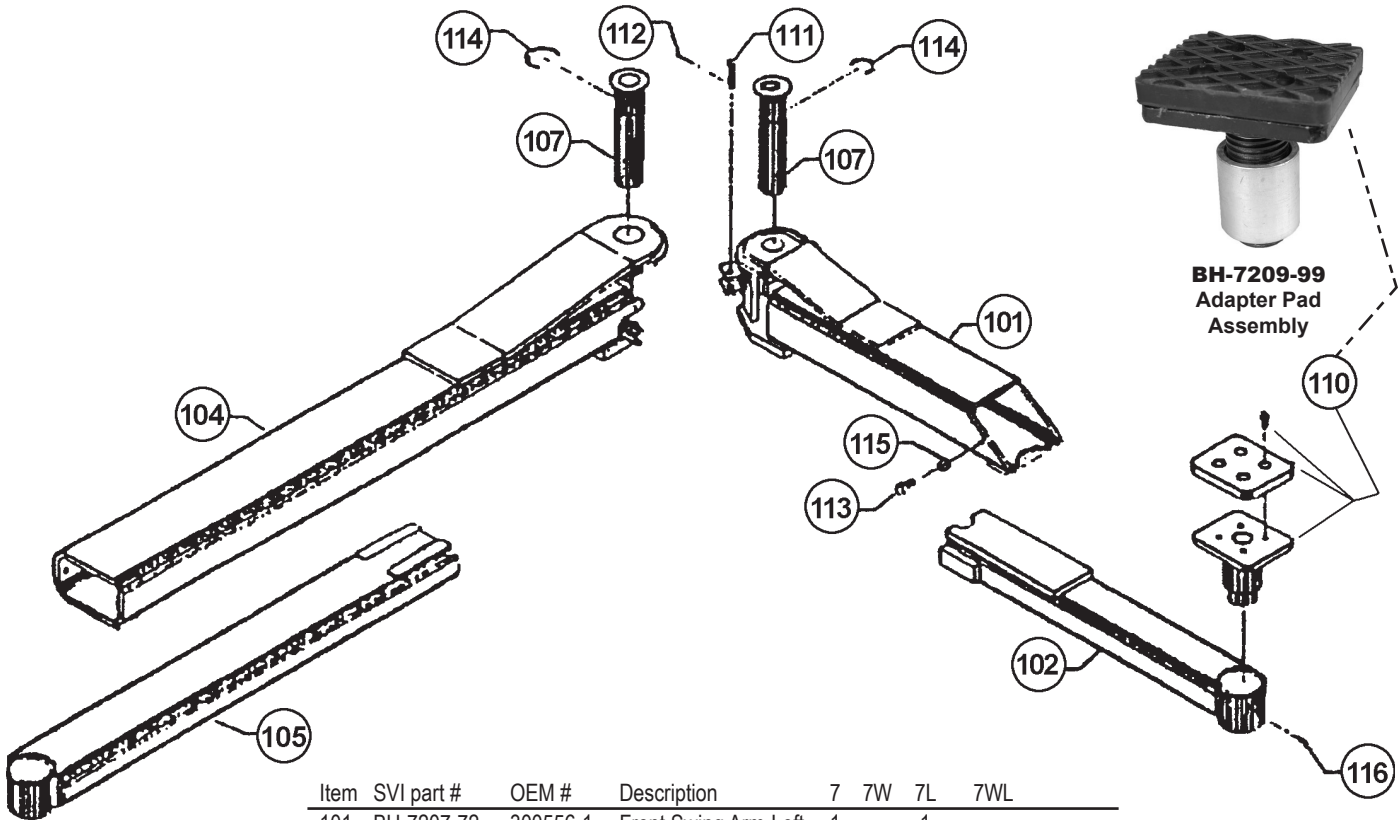
Item	SVI part #	OEM #	Description	7	7W	7L	7WL
71	call for details	300470-1	Conduit-Limit Switch	1	--	1	1
	call for details	300470-2	Conduit-Limit Switch	--	1	--	1
72	F-FW-0750-USS	3/4"	Flat Washer	1	1	1	1
73	call for details	300357	Upper Column-Drive Side	1	1	--	--
	call for details	300621	Upper Column-Drive Side	--	--	1	1
74	BH-7208-18	300137	Spacer-Sheave	4	4	4	4
75	BH-7208-20	300160	Shaft Assy-Upper Sheave	2	2	2	2
76	<b>BH-7208-19</b>	300068	Upper Sheave	2	2	2	2
77	BH-7205-53	500396-3	Self-Lube Bearing	2	2	2	2
78	call for details	300356	Upper Column-Driven Side	1	1	--	--
	call for details	300623	Upper Column-Driven Side	--	--	1	1
79	BH-7205-76	300348-5	Overhead Beam	1	--	1	--
	call for details	300348-1	Overhead Beam	--	1	--	1

Item	SVI part #	OEM #	Description	7	7W	7L	7WL
80	BH-7208-12	300361	Bar-Lock Restraint	1	1	1	1
81	BH-7209-54	300282	Micro Switch	1	1	1	1
	BH-7209-87	300283	Enclosure	1	1	1	1
--	<b>BH-7004-19</b>		<b>Switch - Push to Raise</b>				
82	BH-7210-15	300281	Foam Tube Overhead Lmt.	1	1	1	1
83	F-HC-0375-16-1000	3/8-16x1	Hex Bolt	8	8	8	8
84	F-LW-0375	3/8"	Spring Lock Washer	8	8	8	8
85	F-HN-0375-16	3/8"-16	Hex Nut	8	8	8	8
86	F-HC-0500-13-2500	1/2-13x2-1/2	Hex Bolt	8	8	8	8
87	F-FW-0500	1/2"	Spring Lock Washer	8	8	8	8
88	F-HN-0500-13	1/2"-13	Hex Nut	8	8	8	8
89	F-CP-125-1000	1/8"-1"	Cotter Pin	2	2	2	2
90	F-HC-0250-20-0375	1/4"-20x3/8"	Hex Bolt	2	2	2	2
91	F-LW-0250	1/4"	Spring Lock Washer	2	2	2	2



T-PRO-7 / 7W / 7L / 7WL

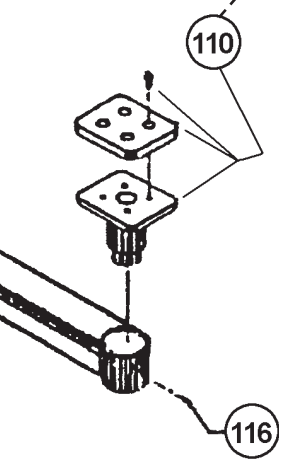
**DIRECTFIT™**  
SVI's DIRECT FIT™ BRAND



Item	SVI part #	OEM #	Description	7	7W	7L	7WL
101	BH-7207-72	300556-1	Front Swing Arm-Left	1	--	1	--
	call for details	300347-1	Front Swing Arm-Left	--	1	--	1
102	BH-7209-62	300329-3	Arm Ext.-Front	2	2	2	2
103	BH-7207-73	300556-2	Front Swing Arm-Right	1	--	1	--
	call for details	300347-2	Front Swing Arm-Right	--	1	--	1
104	BH-7208-63	300323-1	Rear Swing Arm-Left	1	1	1	1
105	BH-7209-63	300201-5	Arm Ext. Rear	2	2	2	2
106	BH-7208-60	300323-2	Rear Swing Arm-Right	1	1	1	1
107	<b>BH-7208-61</b>	300566	Pin-Arm Front & Rear	4	4	4	4
109	<b>BH-7205</b>	100533	Rubber Arm Pad	4	4	4	4
	<b>BH-7205-4</b>		Rubber Arm Pad KIT				
110	<b>BH-7209-99</b>	100946	Pick Up Pad Assy.				
--	<b>BH-7209-99GMT-1</b>	100946-x	Adapter and Pad Assy GM Trucks 2019+ (1), 2" Collar				
--	<b>BH-7209-99GMT-2</b>	100946-xx	Adapter and Pad Assy GM Trucks 2019+ (2), 2" Collar				
--	<b>BH-7542-75P</b>		Rubber Pad for GM Truck Adapters				
111	BH-7208-06	300136	Clevis Pin	4	4	4	4
112	F-CP-125-1000	1/8"x1"	Cotter Pin	4	4	4	4
113	F-HC-0375-16-0500	3/8"-16x1/2"	Hex Bolt	4	4	4	4
114	BH-7207-49	300218-13	Crescent Ring	4	4	4	4
115	call for details	AN960-D616	Alum. Washer	4	4	4	4
116	F-HC-0312-18-0500	5/16"-18x1/2	Hex Bolt	4	4	4	4
117	<b>BH-7210-03A</b>	100945	Height Ext. Kit OE Style				



**BH-7209-99**  
Adapter Pad  
Assembly



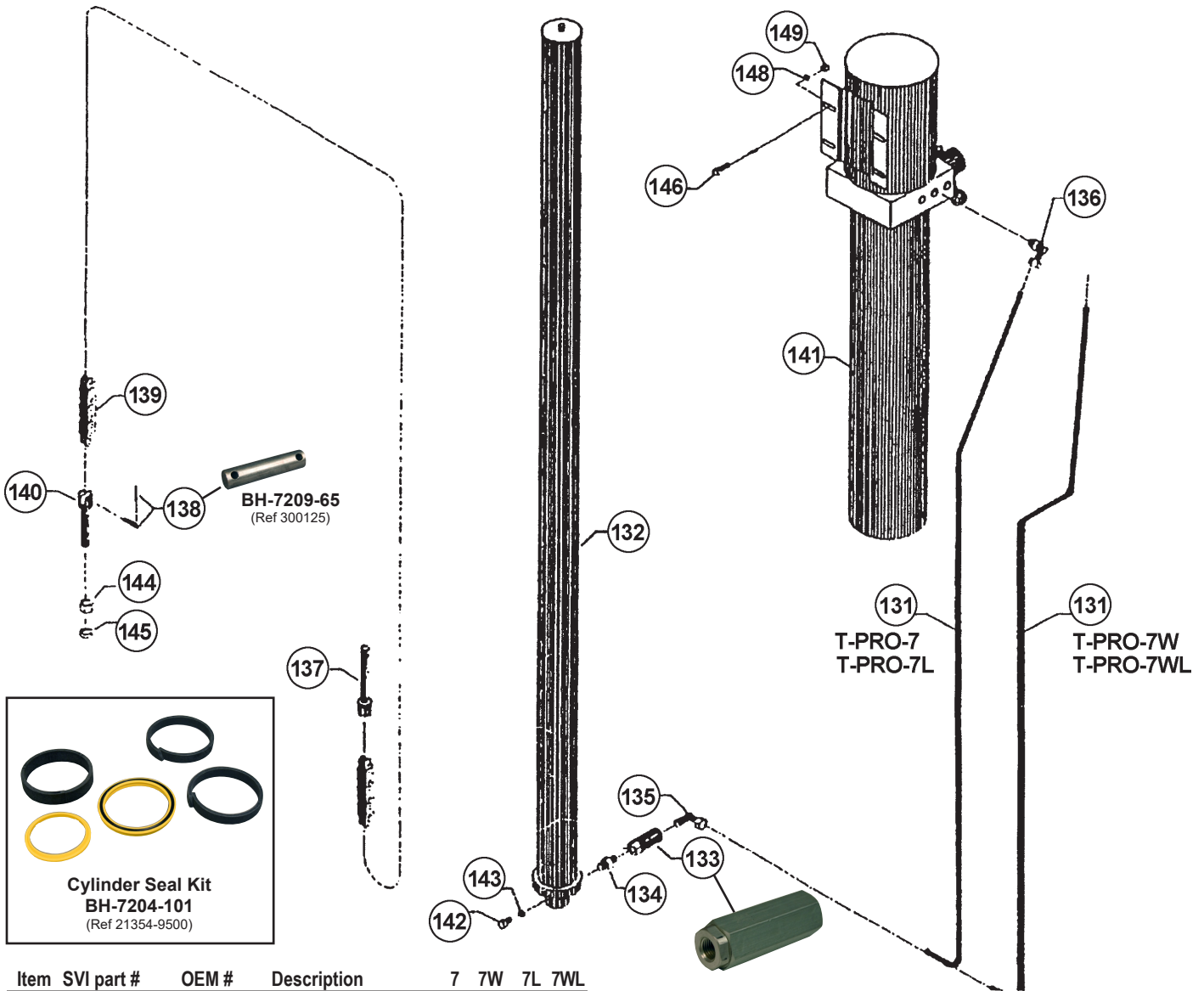
Truck Adapter/  
Pad Assy.  
**BH-7210-03A**



**BH-7205**  
Rubber Arm Pad  
For Kit, Order: **BH-7205-4**

# T-PRO-7 / 7W / 7L / 7WL

**DIRECTFIT™**  
SVI's DIRECT FIT™ BRAND



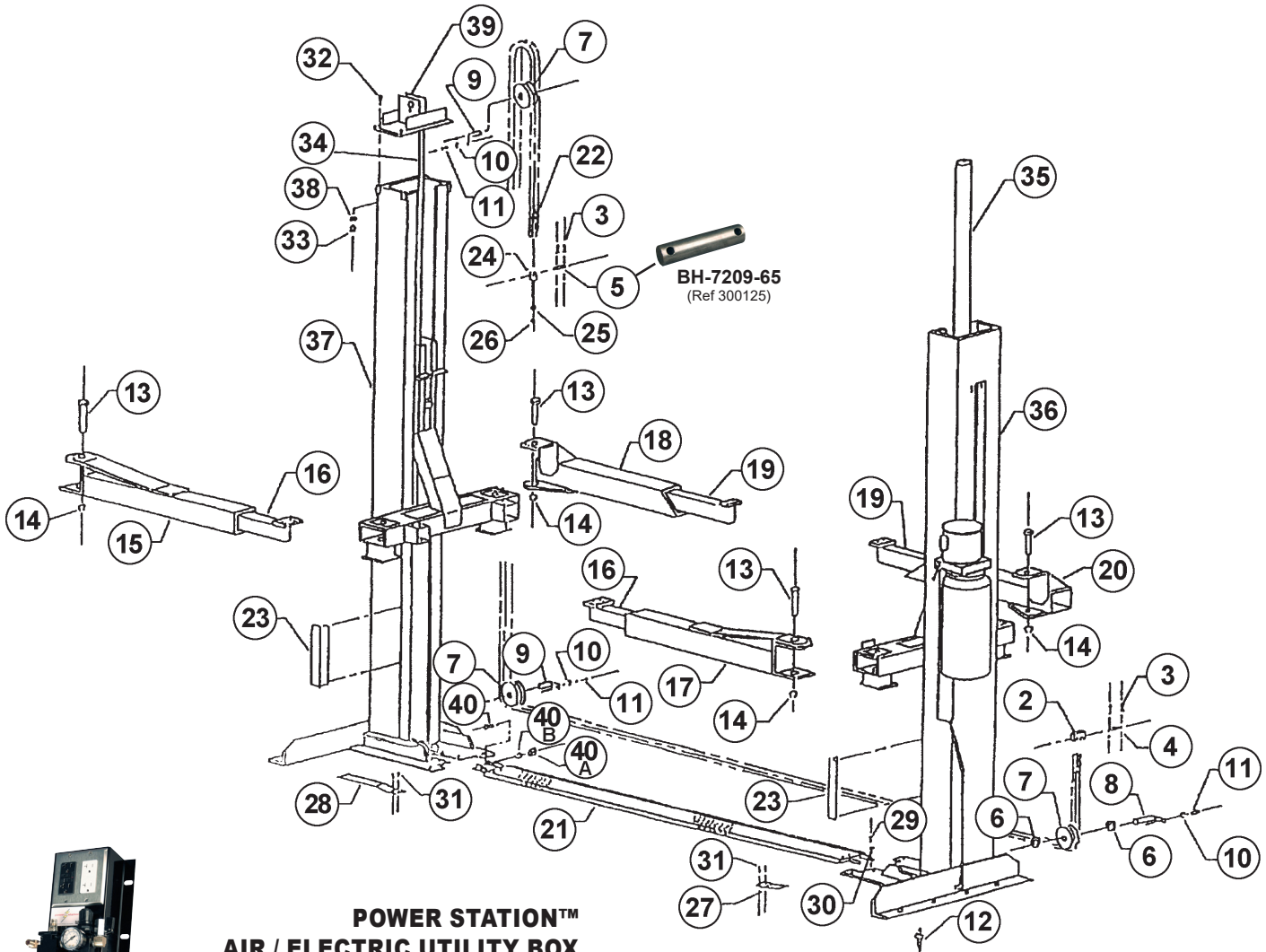
Item	SVI part #	OEM #	Description	7	7W	7L	7WL
131	call for details	300255	Hydraulic Line	1	--	1	--
	call for details	300611	Hydraulic Line	--	1	--	1
132	BH-7209-64	300722	Hydraulic Cylinder	1	1	--	--
	call for details	300725	Hydraulic Cylinder	--	--	1	1
133	BH-7208-39	500354	Flow Control Valve	1	1	1	1
134	BH-7210-89	500389	Male Pipe Nipple	1	1	1	1
135	call for details	300625	Male Pipe Elbow	1	1	1	1
136	BH-7210-13	300624	Straight Thread Elbow	1	1	1	1
137	BH-7205-40	300124-2	Clevis-Chain Drive Side	1	1	1	1
138	BH-7209-65	300125	Clevis Pin	2	2	2	2
139	BH-7028	300158-1	Leaf Chain-481 Links	1	--	--	--
	BH-7028	300158-7	Leaf Chain-503 Links	--	1	--	--
	BH-7028	300158-9	Leaf Chain-469 Links	--	--	1	--
	BH-7028	300158-11	Leaf Chain-493 Links	--	--	--	1
140	BH-7209-67	300124-1	Clevis-Chain Driven Side	1	1	1	1
141	BH-7006-01	101071	1Ph. Elec. Hyd. Pump	1	1	1	1
	BH-7006-03	101072	3Ph. Elec. Hyd. Pump	1	1	1	1





BW-7 / 7W / 7L / 7WL

**DIRECTFIT™**  
SVI's DIRECT FIT™ BRAND



**POWER STATION™  
AIR / ELECTRIC UTILITY BOX**

Simply install the PowerStation™ on your surface-mount lift or nearby wall, bring in your air and electric service, and watch the results. You'll see improved performance and a more organized shop. No longer worry about trip hazards associated with cords and hoses stretched for great distances across your floor.

Item	SVI part #	OEM #	Description	7, 7L	7W, 7WL
2	BH-7224-132	300344	Anchor-Chain	1	1
3	F-CP-125-0875	1/8" x 7/8"	Cotter Pin	4	4
4	BH-7210-52	300346	Pin, Chain Anchor	1	1
5	BH-7209-65	300125	Clevis Pin	1	1
6	BH-7208-31	300333	Spacer-Sheave	2	2
7	BH-7208-19	300068	Sheave	3	3
8	BH-7208-29	300393	Shaft Assy.-Drive Side	1	1
9	BH-7208-30	300392	Shaft Assy.-Driven Side	2	2
10	F-LW-0250	1/4"	Split Lock Washer	3	3
11	F-HC-0250-20-0375	1/4-20x3/8	Hex Bolt	3	3
12	BH-7224-131	500388	Anchor Bolt Assy.	12	12
13	<b>BH-7211-01</b>	300238	Pin-Arm Front & Rear	4	4
14	BH-7211-02	300218-4	Snap Ring	4	4
15	BH-7211-06	300200-1	Arm Weld-Rear LH	1	--
	BH-7224-132	300225-1	Arm Weld-Rear LH	--	1
16	BH-7211-07	300201-1	Arm Weld Ext. Rear	2	--
	BH-7224-133	300201-3	Arm Weld Ext. Rear	--	2



**3 Ready-Ship  
Warehouses**

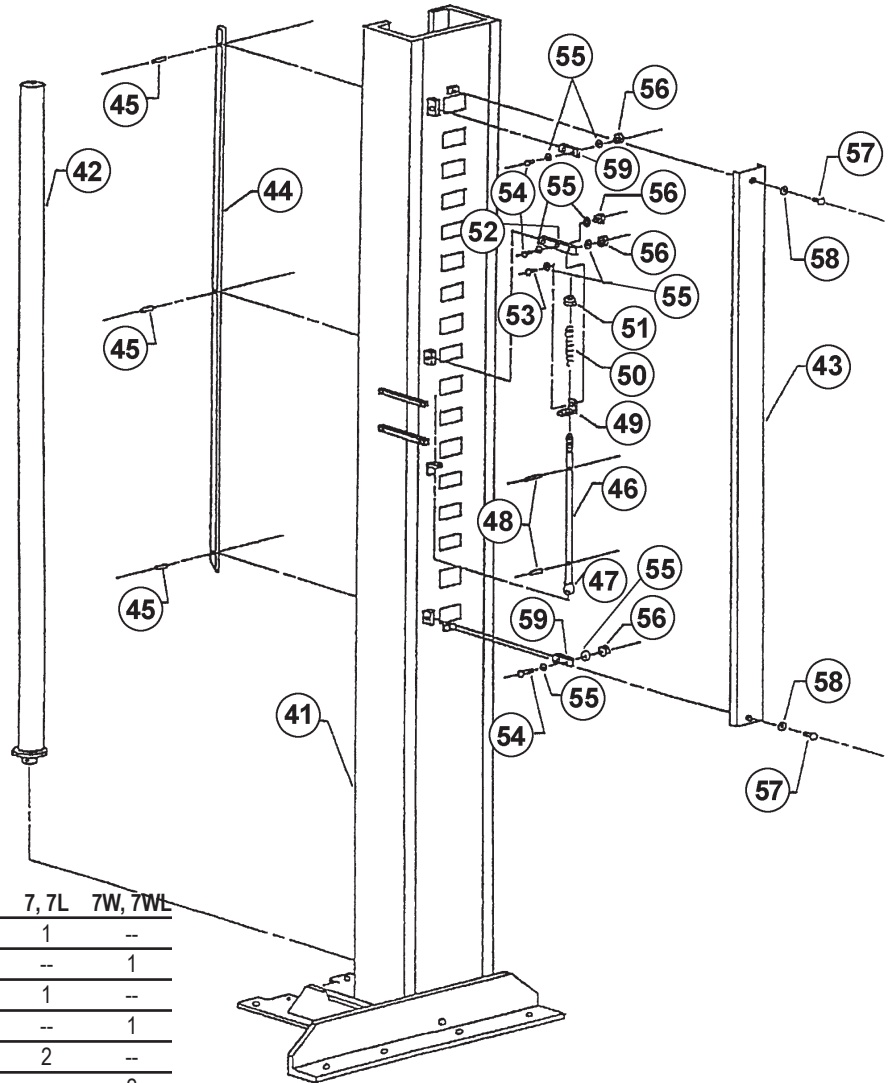
- Baltimore
- Chicago
- Los Angeles



# BW-7 / 7W / 7L / 7WL

## Drive Column Assembly

**DIRECTFIT™**  
SVI's DIRECT FIT™ BRAND



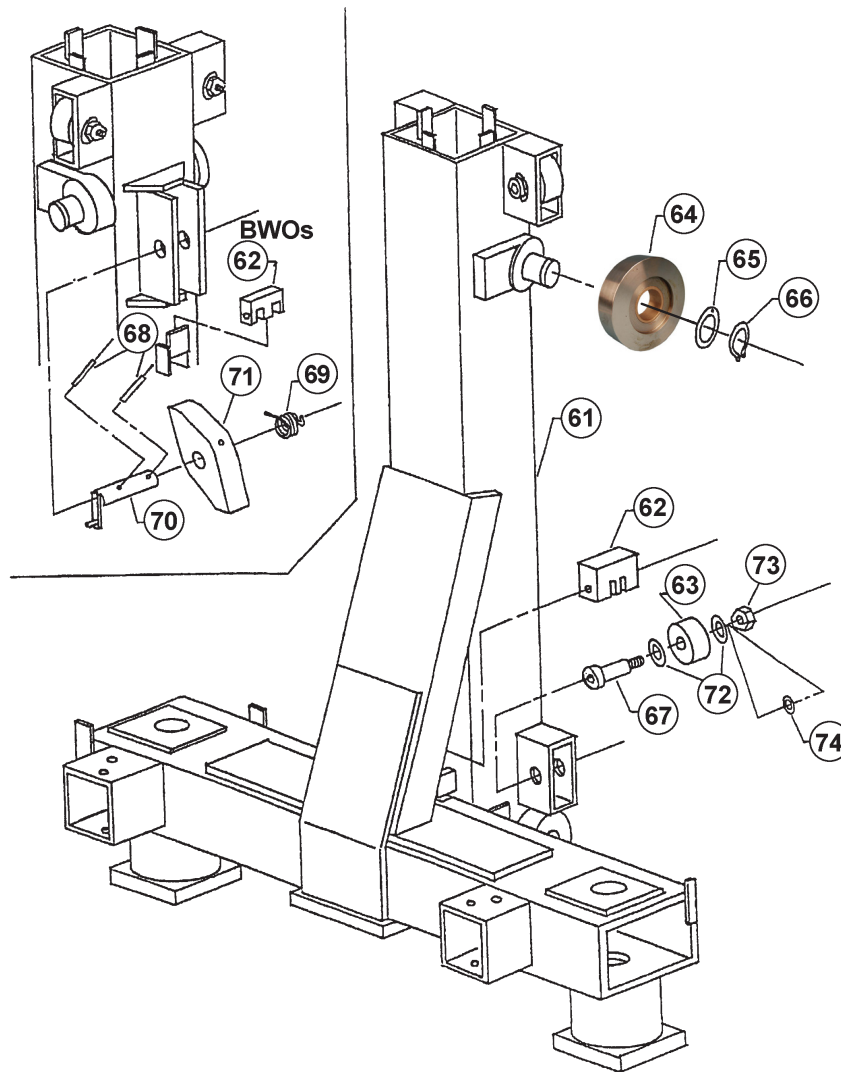
Item	SVI part #	OEM #	Description	7, 7L	7W, 7WL
17	BH-7211-08	300200-2	Arm Weld-Rear RH	1	--
	BH-7224-134	300225-2	Arm Weld-Rear RH	--	1
18	BH-7211-03	300321-1	Arm Weld-Asym. Front LH	1	--
	BH-7224-135	300234-1	Arm Weld-Asym. Front LH	--	1
19	BH-7211-04	300235-1	Arm Weld Asym. Front	2	--
	BH-7224-136	300235-3	Arm Weld Ext.-Front	--	2
20	BH-7211-05	300231-2	Arm Weld-Asym. Front RH	1	--
	BH-7224-137	300234-2	Arm Weld-Asym. Front RH	--	1
21	BH-7224-138	300249-1	Floor Plate	1	--
	BH-7224-139	300249-3	Floor Plate	--	1
22	BH-7224-140	300158-3	Leaf Chain-421 Links	1	--
	BH-7224-141	300158-5	Leaf Chain-445 Links	--	1
23	BH-7202-70	300568	Bumper Door	2	2
24	BH-7205-40	300124-2	Clevis-Chain	1	1
25	F-HN-0562-18	9/16-18	Hex Nut	1	1
26	F-JN-0562-18	9/16-18	Hex Jam Nut	1	1
27	BH-7224-143	300408	Chain Cover-Drive Side	1	1
28	BH-7207-61	300409	Chain Cover-Driven Side	1	1
29	F-HC-0375-16-0750	3/8-16x3/4	Hex Bolt	8	8
30	F-FW-0375	3/8	Split Lock Washer	12	12
31	F-MS-0010-32-0500	10-32 x 1/2	Phil. Hd. Slf. Thred. Screw	4	4
32	F-HC-0500-13-2500	1/2-13x2-1/2	Hex Bolt	8	8
33	F-HN-0500-13	1/2-13	Hex Nut	4	4
34	BH-7202-95	300300	Rod Assy. - Restraint	1	1
35	BH-7211-89	300275	Hydr. Cyl. (see for BW7L/7WL)	1	1
	BH-7224-148		Hydr. Cyl. for BW7L/7WL	1	1
36	BH-7224-144	300294	Column-Drive Side	1	1
37	BH-7224-145	300268	Column-Driven Side	1	1
38	F-LW-0500	1/2	Split Lock Washer	4	--
39	BH-7224-146	300295	Upper Sheave Brkt. Assy.	1	1

Item	SVI part #	OEM #	Description	7	7W	7WL/7L
40	F-HC-0375-16-1000	3/8-16x1	Hex Head Bolt	4	4	
40A	F-HN-0375-16	3/8-16	Hex Head Nut	4	4	
40B	F-LW-0375	3/8	Spring Lock Washer	4	4	
41	BH-7224-147	300294	Column-Drive Side	1	1	1
42	BH-7202-89	300275	Hydraulic Cylinder	1	1	--
	BH-7224-148	300613	Hydraulic Cylinder (Low)	--	--	1
43	BH-7224-149	300165	Cover-Lock	1	1	1
44	BH-7202-90	300596	Channel-Lock Release	1	1	1
45	F-RP-0187-0437	3/16 x 7/16	Roll Pin	3	3	3
46	BH-7202-98	300319	Rod-Lock Release	1	1	1
47	BH-7208-36	300284	Knob	1	1	1
48	F-RP-156-0750	5/32 x 3/4	Roll Pin	2	2	2
49	BH-7208-64	300449	Angle-Lock Release	1	1	1
50	BH-7208-09	300397	Spring-Lock Release	1	1	1
51	F-HN-0375-16	3/8-16	Hex Nut	1	1	1
52	BH-7208-21	300450	Link-Lock Release	1	1	1
53	F-MS-0010-32-0750	10-32 x 3/4	Phil. Panhd. Mach. Screw	1	1	1
54	F-MS-0010-32-1000	10-32 x 1	Phil. Panhd. Mach. Screw	3	3	3
55	F-FW-0010	10	Flat Washer	8	8	8
56	F-NL-0010-32	10-32	Nylon Insert Lock Nut	4	4	4
57	F-MS-0250-20-0375	1/4-20 x 3/8	Phil. Panhd. Mach. Screw	2	2	2
58	F-FW-0250-SAE	1/4	Flat Washer	2	2	2
59	BH-7202-99	300178	Link-Lock Release	2	2	2

# BW-7 / 7W / 7L / 7WL and BWO-7 / 7W / 7L / 7WL

## Carriage Assembly - Drive Side

**DIRECTFIT™**

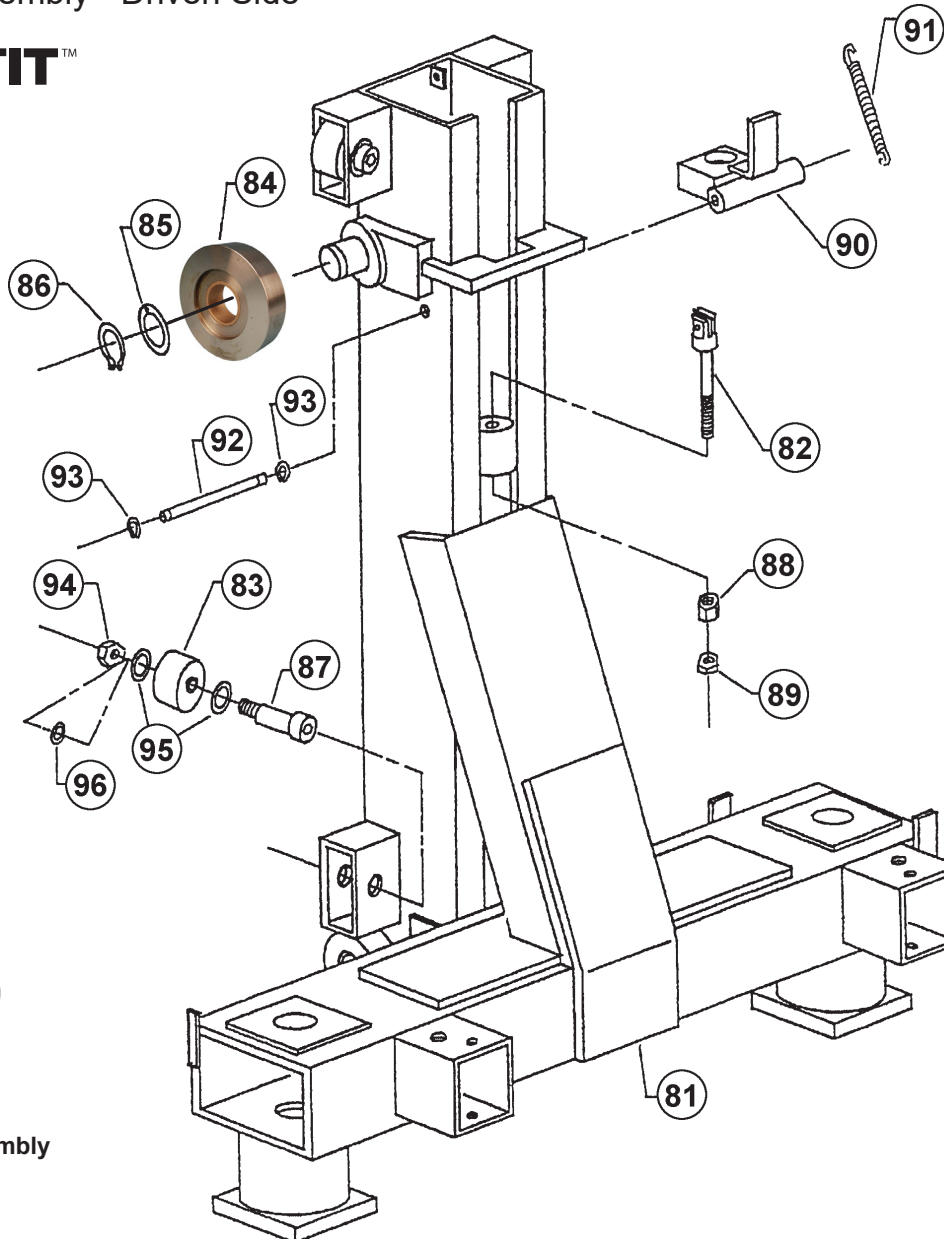


Item	SVI part #	OEM #	Description	BW-7/7L	BW-7W/7WL	BWO-7/7L	BWO-7W/7WL
61	BH-7224-153	300317-1	Carriage Weld-Drive Side	1	1	--	--
	BH-7224-154	300317-3	Carriage Weld-Drive Side	--	--	1	1
62	BH-7224-130	300344	Chain Anchor	1	1	1	1
63	<b>BH-7208-38</b>	300382	Roller Assy. - Side	4	4	4	4
64	<b>BH-7208-37</b>	300607	Roller-Flange	4	4	4	4
65	BH-7202-005	300617	Thrust Washer	4	4	4	4
66	BH-7202-006	300218-8	Snap Ring	4	4	4	4
67	F-SB-0625-11-1500	5/8" x 1-1/2"	Socket Shoulder Screw	4	4	4	4
68	F-RP-156-1500	5/32" x 1-1/2"	Roll Pin	2	2	2	2
69	BH-7208-49	300061	Spring-Safety Lock	1	1	1	1
70	BH-7208-10	300070	Pin Assembly	1	1	1	1
71	BH-7208-48	300055	Lock-Carriage	1	1	1	1
72	call for details	5/8" x 1-1/4"	Machine Bushing	8	8	8	8
73	F-NL-0500-13	1/2"-13	Nylon Insert Lock Nut	4	4	4	4
74	F-FW-0500-USS	1/2"	Flat Washer	4	4	4	4

# BW-7 / 7W / 7L / 7WL and BWO-7 / 7W / 7L / 7WL

## Carriage Assembly - Driven Side

**DIRECTFIT™**



**BH-7208-38**  
(Ref 300382)

**Side Roller Assembly**

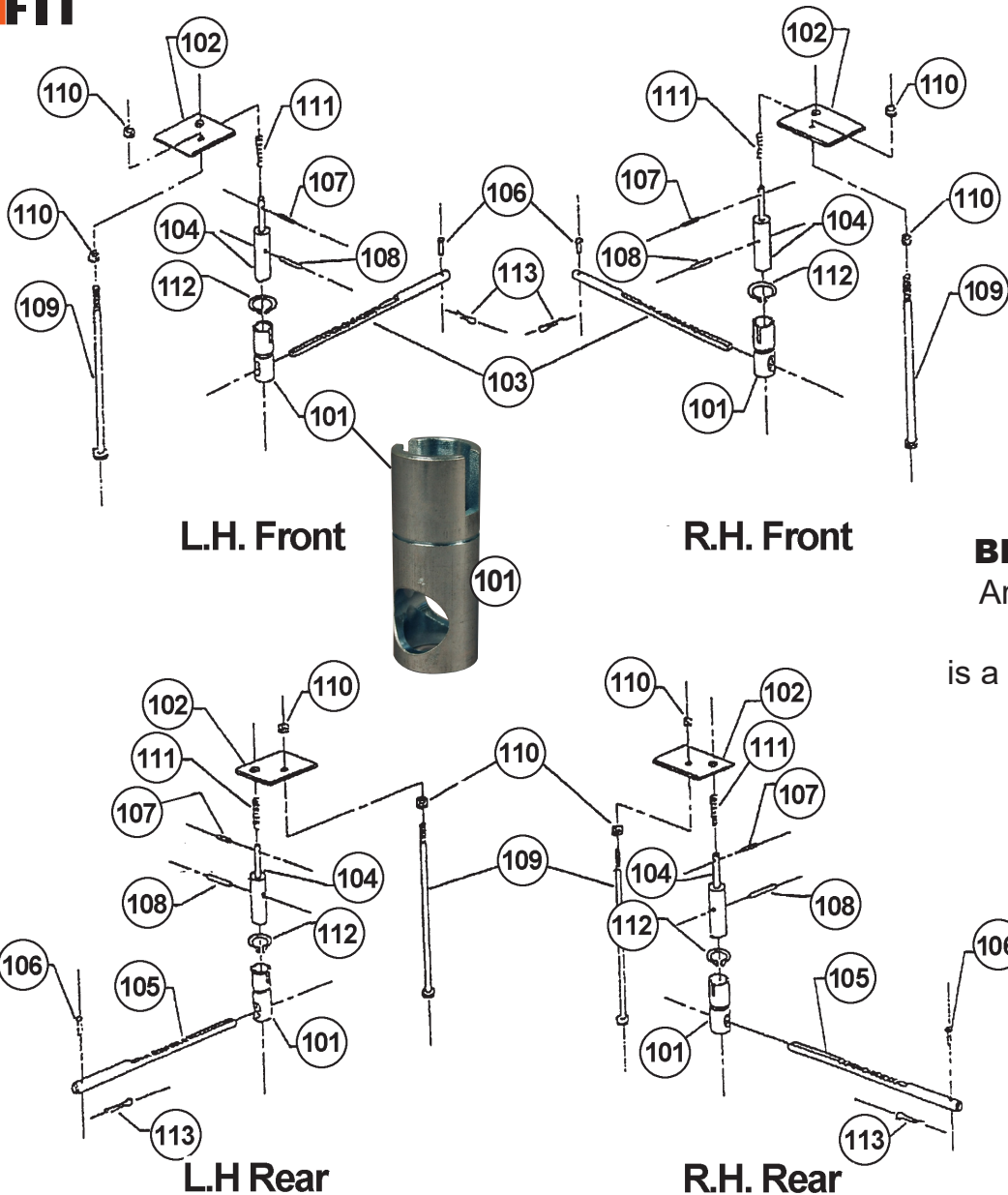
Item	SVI part #	OEM #	Description	BW-7/7L	BW-7W/7WL	BWO-7/7L	BWO-7W/7WL
81	BH-7224-155	300305	Carriage Weld-Driven Side	1	1	1	1
82	BH-7205-40	300124-2	Clevis-Chain	1	1	1	1
83	<b>BH-7208-38</b>	300382	Roller Assembly-Side	4	4	4	4
84	<b>BH-7208-37</b>	300607	Roller-Flange	4	4	4	4
85	BH-7202-005	300617	Thrust Washer	4	4	4	4
86	BH-7202-006	300218-8	Snap Ring	4	4	4	4
87	call for details	5/8" x 1-1/2"	Socket Shoulder Screw	4	4	4	4
88	F-HN-0562-18	9/16"-18	Hex Nut	1	1	1	1
89	call for details	9/16"-18	Jam Nut	1	1	1	1
90	BH-7209-57	300340	Lock Weld-Loose Chain	1	1	1	1
91	BH-7218-10	300396	Spring-Loose Chain Lock	1	1	1	1
92	BH-7224-156	300343	Pin-Loose Chain	1	1	2	2
93	BH-7207-48	300218-10	Snap Ring	2	2	2	2
94	F-NL-0500-13	1/2"-13	Nylon Insert Lock Nut	4	4	4	4
95	call for details	5/8"x1-1/4"	Machine Bushing	8	8	8	8
96	call for details	1/2"	Flat Washer	4	4	4	4



# BW-7 / 7W / 7L / 7WL and BWO-7 / 7W / 7L / 7WL

## Arm Lock Assembly

**DIRECTFIT™**



**BH-7207-99**  
 Arm Restraint  
 Assembly  
 is a set of 4 that  
 will do 1 lift.

Item	SVI part #	OEM #	Description	BW-7/7L	BW-7W/7WL	BWO-7/7L	BWO-7W/7WL
	BH-7207-99		Arm Restraint Assy. (set of 4)				
101	BH-7208-01	300214	Supt. Tube-Lock Bar	4	4	4	4
102	BH-7208-07	300215	Link-Arm Restraint	4	4	4	4
103	BH-7208-04	300216-3	Restraint Bar-Front Arm	2	2	2	2
104	BH-7208-02	300217	Restraint Pin-Arm	4	4	4	4
105	BH-7208-03	300216-1	Restraint Bar-Rear Arm	2	2	2	2
106	BH-7208-06	300136	Clevis Pin	4	4	4	4
107	F-RP-125-0750	1/8" x 3/4"	Roll Pin	4	4	4	4
108	F-RP-187-1125	3/16" x 1-1/8"	Roll Pin	4	4	4	4
109	F-HC-0375-16-8000	3/8"-16 x 8"	Hex Bolt	4	4	4	4
110	F-JN-0375-16	3/8"-16	Jam Nut	8	8	8	8
111	BH-7208-08	300222	Spring-Arm Lock	4	4	4	4
112	F-RR-5100-1000	300218-2	Snap Ring	4	4	4	4
113	F-CP-125-1000	1/8" x 1"	Cotter Pin	4	4	4	4

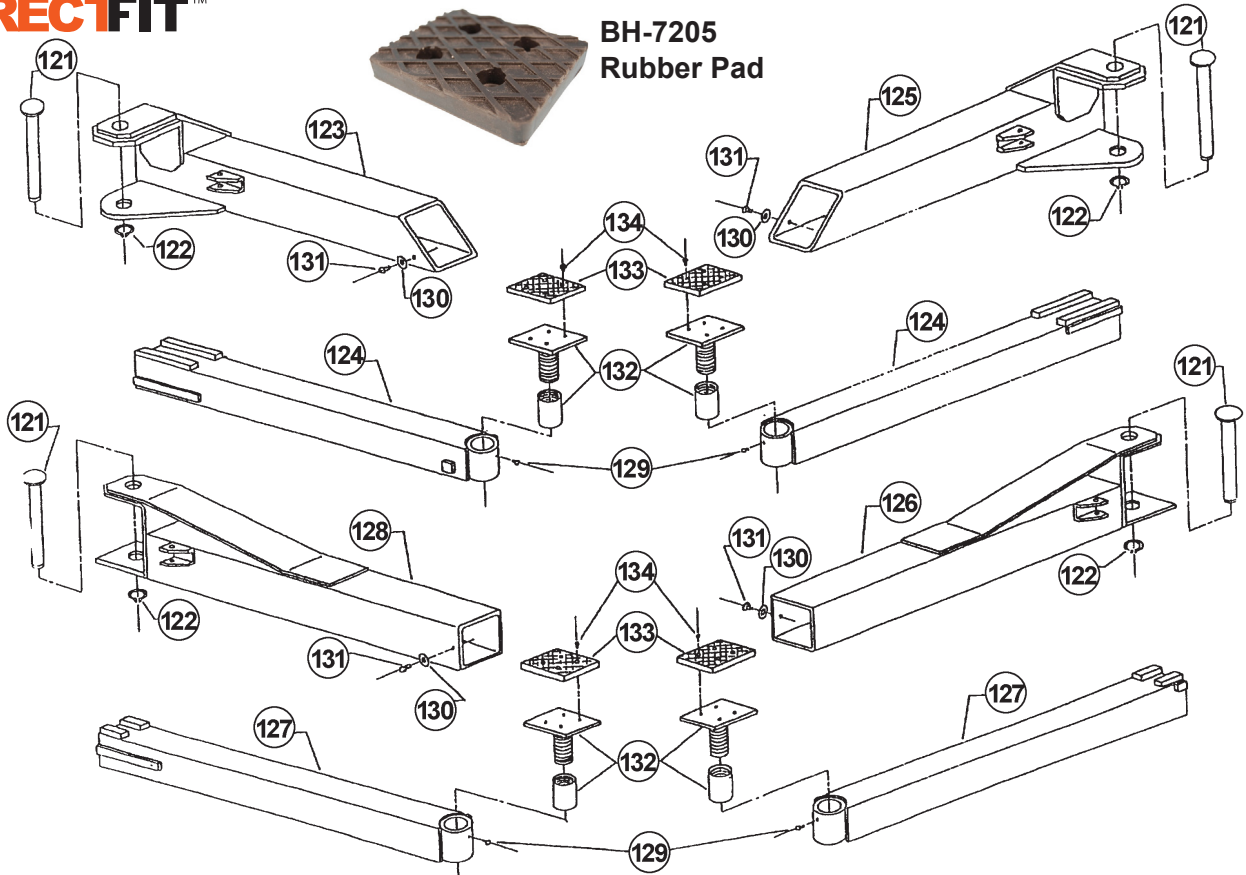




# BW-7 / 7W / 7L / 7WL and BWO-7 / 7W / 7L / 7WL

## Arm Assembly

**DIRECTFIT™**



**132 BH-7209-99**



**Truck Adapter/  
Pad Assy.  
BH-7210-03A**

Item	SVI part #	OEM #	Description	BW-7/7L	BW-7W/7WL	BWO-7/7L	BWO-7W/7WL
121	BH-7211-01	300238	Pin-Arm	4	4	4	4
122	BH-7211-02	300218-4	Snap Ring	4	4	4	4
123	BH-7211-03	300231-1	Arm Weld-Asym. Front (LH)	1	--	1	--
	BH-7224-135	300234-1	Arm Weld-Asym. Front (LH)	--	1	--	1
124	BH-7211-04	300235-1	Arm Ext. Weld-Front	2	--	2	--
	BH-7224-136	300235-3	Arm Ext. Weld-Front	--	2	--	2
125	BH-7211-05	300231-2	Arm Weld-Asym. Front (RH)	1	--	1	--
	BH-7224-137	300234-2	Arm Weld-Asym. Front (RH)	--	1	--	1
126	BH-7211-06	300200-1	Arm Weld-Rear	1	--	1	--
	BH-7224-132	300225-1	Arm Weld-Rear	--	1	--	1
127	BH-7211-07	300201-1	Arm Ext. Weld-Rear	2	--	2	--
	BH-7224-133	300201-3	Arm Ext. Weld-Rear	--	2	--	2
128	BH-7211-08	300200-2	Arm Weld-Rear (RH)	1	--	1	--
	BH-7224-134	300225-2	Arm Weld-Rear (RH)	--	1	--	1
129	F-HC-0312-18-0500	5/16"-18 x 1/2"	Hex Bolt	4	4	4	4
130	call for details	3/8" x 1/32"	Aluminum Washer	4	4	4	4
131	F-HC-0375-16-0500	3/8"-16 x 1/2"	Hex Bolt	4	4	4	4
132	<b>BH-7209-99</b>	100946	Lift Adapter Assembly	4	4	4	4
--	BH-7209-99GMT-1	100946-x	Adapter and Pad Assy GM Trucks 2019+ (1), 2" Collar				
--	BH-7209-99GMT-2	100946-xx	Adapter and Pad Assy GM Trucks 2019+ (2), 2" Collar				
--	BH-7542-75P		Rubber Pad for GM Truck Adapters				
133	BH-7205	100533	Rubber Pad	4	4	4	4
134	F-MS-0312-18-0500	5/16"-18 x 1/2"	Phil. Panhd. Mach. Screw	16	16	16	16
135	BH-7210-03A	100945	Height Extension, OE Style				

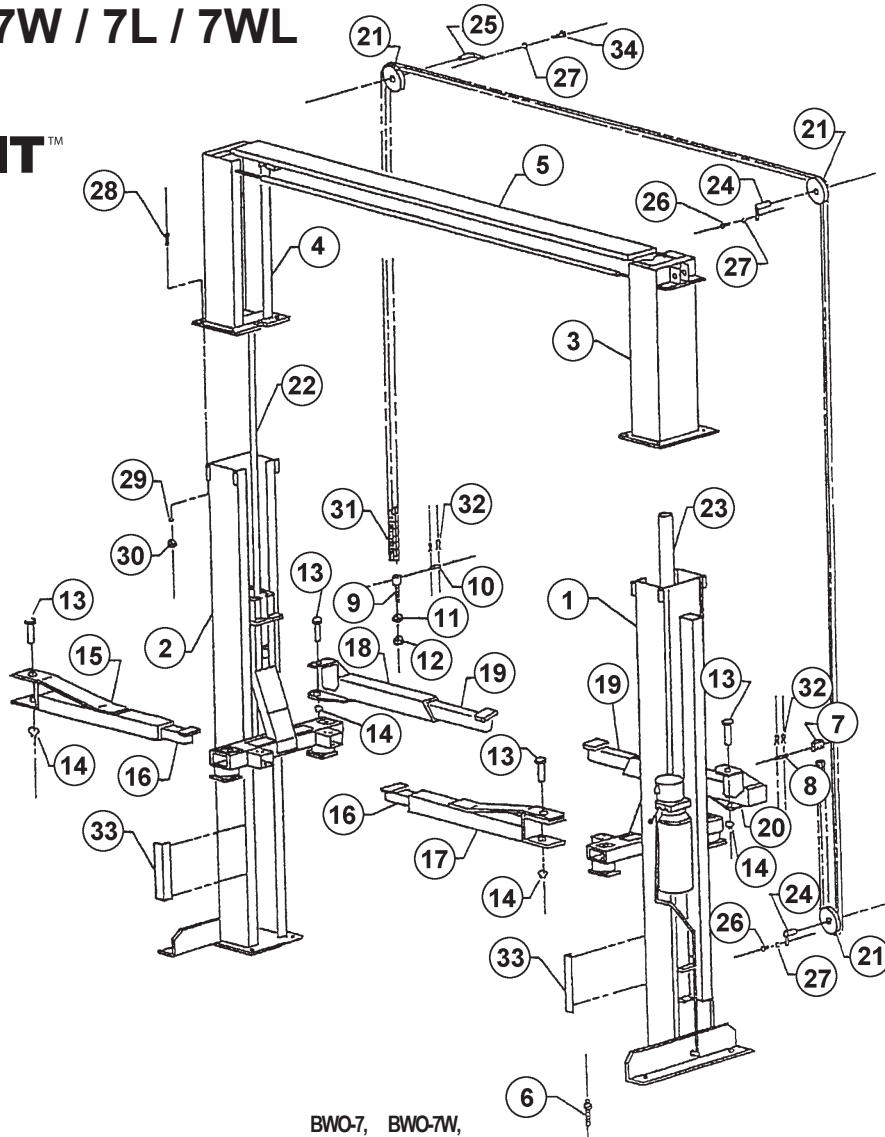
See SVI's Height Extensions Book (LRC7090)



BWO-7 / 7W / 7L / 7WL

Assembly

**DIRECTFIT™**



Item	SVI part #	OEM #	Description	BWO-7, 7L	BWO-7W, 7WL
1	BH-7224-161	300516-3	Column-Drive Side	1	1
2	BH-7224-162	300517-3	Column-Driven Side	1	1
3	BH-7224-163	300654	Upper Column-Drive Side	1	1
4	BH-7224-164	300547	Upper Column Driven Side	1	1
5	BH-7224-165	300651-3	Beam Assy.-Overhead	1	--
	BH-7224-166	300651-1	Beam Assy.-Overhead	--	1
6	BH-7224-131	500388	Anchor Bolt	8	8
7	BH-7224-130	300344	Anchor Chain	1	1
8	BH-7210-52	300346	Pin-Anchor Chain	1	1
9	BH-7205-40	300124-2	Clevis-Chain	1	1
10	BH-7209-65	300125	Clevis Pin	1	1
11	F-HN-0562-18	9/16"-18	Hex Nut	1	1
12	F-JN-0562-18	9/16"-18	Jam Nut	1	1
13	<b>BH-7211-01</b>	300238	Pin-Arm	4	4
14	BH-7211-02	300218-4	Snap Ring	4	4
15	BH-7211-06	300200-1	Arm Weld-Rear (LH)	1	--
	BH-7224-132	300225-1	Arm Weld-Rear (LH)	--	1
16	BH-7211-07	300201-1	Arm Weld Ext.-Rear	2	--
	BH-7224-133	300201-3	Arm Weld Ext.-Rear	--	2
17	BH-7211-08	300200-2	Arm Weld-Rear (RH)	1	--
	BH-7224-134	300225-2	Arm Weld-Rear (RH)	--	1
18	BH-7211-03	300231-1	Arm Weld-Front (LH)	1	--

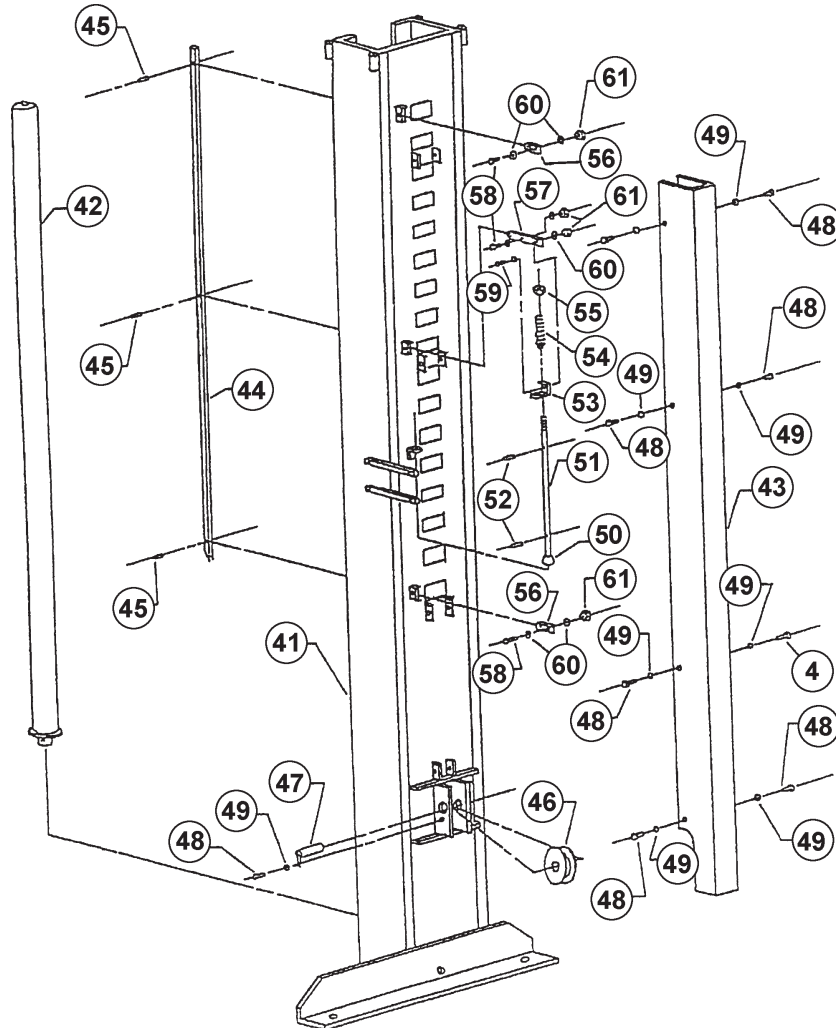
Item	SVI part #	OEM #	Description	BWO-7, 7L	BWO-7W, 7WL
18	BH-7224-135	300234-1	Arm Front (LH)	--	1
19	BH-7211-04	300235-1	Arm Weld Ext.-Front	2	--
	BH-7224-136	300235-3	Arm Weld Ext.-Front	--	2
20	BH-7211-05	300231-2	Arm Weld-Front (RH)	1	--
	BH-7224-137	300234-2	Arm Weld-Front (RH)	--	1
21	BH-7208-19	300068	Sheave	3	3
22	BH-7202-95	300300	Rod Assy.-Restraint	1	1
23	BH-7211-89	300275	Hydraulic Cylinder	1	1
	BH-7224-148		(Use PN 300613 BWO-7L, BWO-7WL)		
24	BH-7208-30	300392	Axle-Sheave	2	2
25	BH-7208-29	300393	Axle-Sheave	1	1
26	F-HC-0250-20-0375	1/4"-20 x 3/8"	Hex Head Bolt	2	2
27	F-LW-0250	1/4"	Split Lock Washer	3	3
28	F-HC-0500-13-2500	1/2"-13 x 2-1/2"	Hex Head Bolt	8	8
29	F-LW-0500	1/2"	Split Lock Washer	8	8
30	F-HN-0500-13	1/2"-13	Hex Head Nut	8	8
31	BH-7224-167	300158-13	Leaf Chain (BWO-7/7L)	1	--
	BH-7224-168	300158-15	Leaf Chain (BWO-7W)	--	1
	BH-7224-169	300158-17	Leaf Chain (BWO-7WL)	--	1
32	F-CP-125-0875	1/8" x 7/8"	Cotter Pins	4	4
33	BH-7202-70	300568	Bumper Door	2	2
34	F-HC-0250-20-0500	1/4"-20 x 1/2"	Hex Head Bolt	1	1

Page 18

# BWO-7 / 7W / 7L / 7WL

## Drive Column Assembly

**DIRECTFIT™**



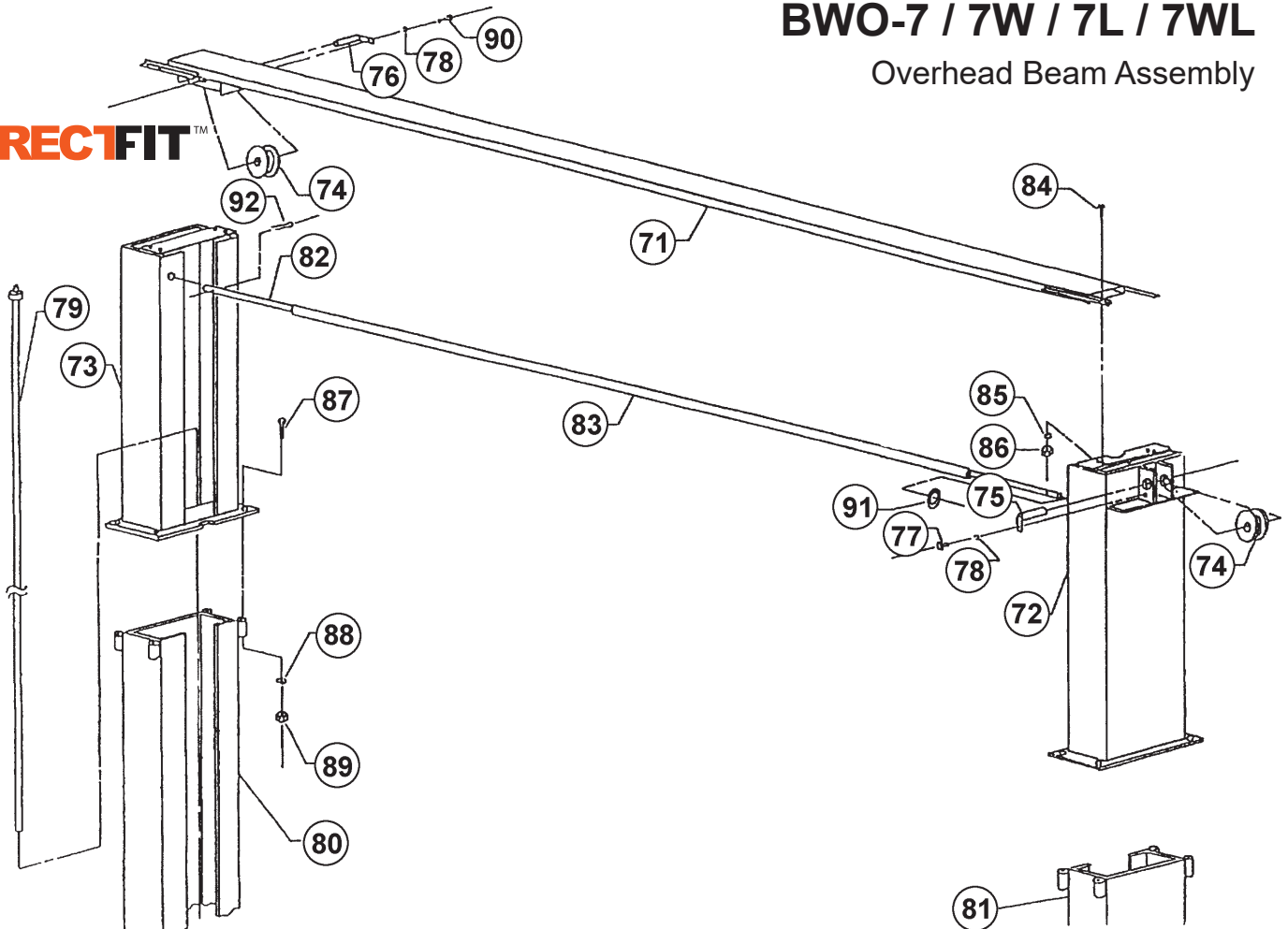
Item	SVI part #	OEM #	Description	BWO-7	BWO-7W	BWO-7L/7WL
41	BH-7224-161	300516-3	Column-Drive Side	1	1	1
42	BH-7202-89	300275	Hydraulic Cylinder	1	1	1
	BH-7224-148	300613 (Ls)				
43	BH-7224-170	300635	Cover-Chain	1	1	1
44	BH-7202-90	300596	Channel-Lock Rel.	1	1	1
45	F-RP-0187-0437	3/16" x 7/16"	Roll Pin	3	3	3
46	BH-7208-19	300068	Sheave	1	1	1
47	BH-7208-30	300392	Axle-Sheave	1	1	1
48	F-HC-0250-20-0375	1/4"-20 x 3/8"	Hex Head Bolt	9	9	9
49	F-LW-0250	1/4"	Split Lock Washer	9	9	9
50	BH-7208-36	300284	Knob	1	1	1
51	BH-7202-98	300319	Rod-Lock Release	1	1	1
52	F-RP-156-0750	5/32" x 3/4"	Roll Pin	2	2	2
53	BH-7208-64	300449	Angle-Lock Release	1	1	1
54	BH-7208-09	300397	Spring-Lock Release	1	1	1
55	F-HN-0375-16	3/8"-16	Hex Nut	1	1	1
56	BH-7202-99	300178	Link-Lock Release	2	2	2
57	BH-7208-21	300450	Link-Lock Release	1	1	1
58	F-MS-0010-32-1000	10-32 x 1	Phil. Panhd. Mach. Screw	3	3	3
59	F-MS-0010-32-0750	10-32 x 3/4	Phil. Panhd. Mach. Screw	1	1	1
60	F-FW-0187-SAE 3/16"		Flat Washer	8	8	8
61	F-NL-0010-32	10-32	Nylon Insert Lock Nut	4	4	4



# BWO-7 / 7W / 7L / 7WL

## Overhead Beam Assembly

**DIRECTFIT™**

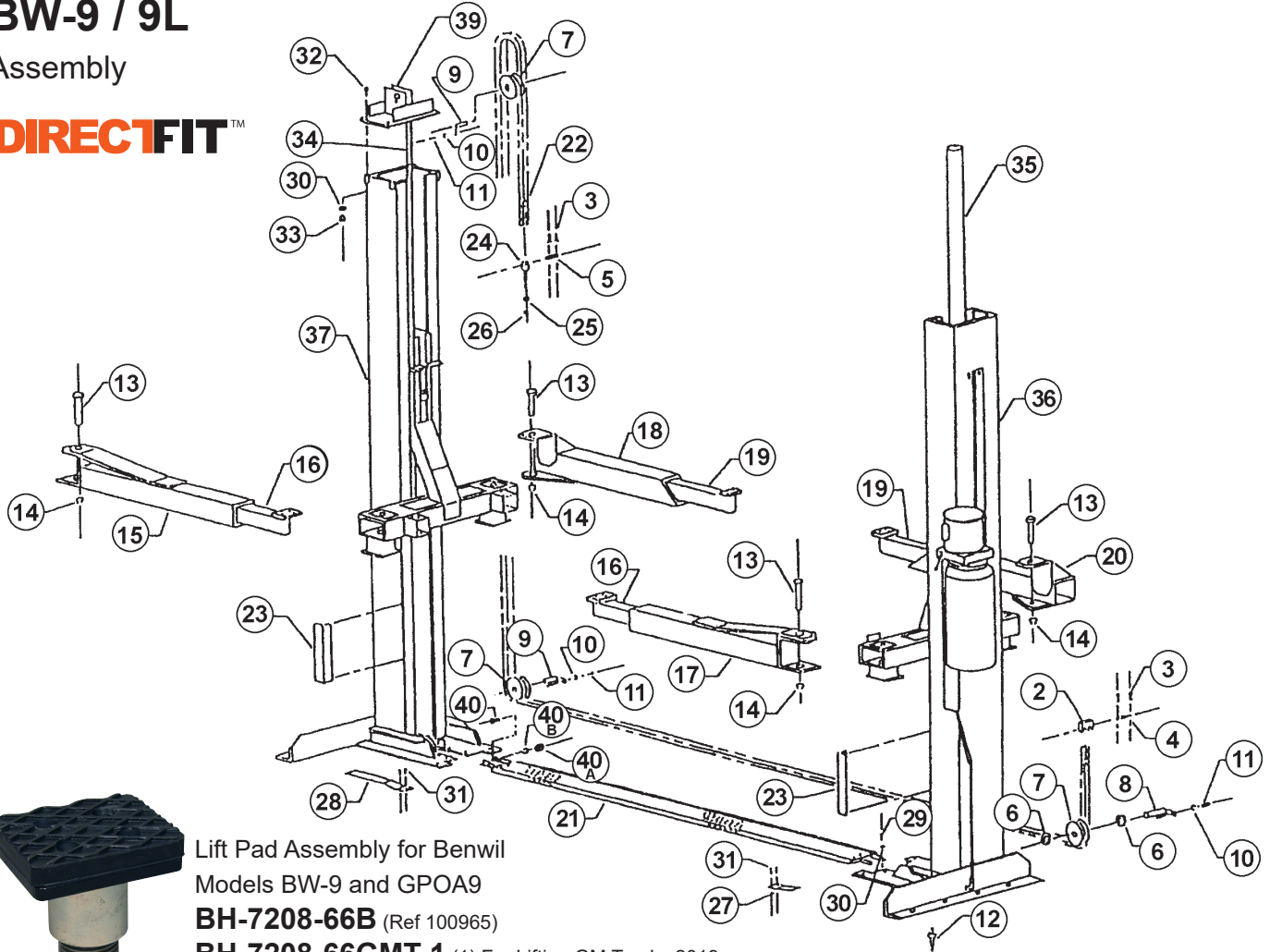


Item	SVI part #	OEM #	Description	BWO-7/7L	BWO-7W/7WL
71	BH-7224-165	300651-3	Beam Assembly-Overhead	1	--
	BH-7224-166	300651-1	Beam Assembly-Overhead	--	1
72	BH-7224-171	300654-1	Up. Column-Drive Side	1	1
	BH-7224-172	300654-3	Up. Column-Drive Side (BWO7L, BWO-7WL)	1	1
73	BH-7224-173	300647-1	Up. Column-Driven Side	1	1
	BH-7224-174	300647-3	Up. Column-Driven Side (BWO-7L, BWO-7WL)	1	1
74	BH-7208-19	300068	Sheave	2	2
75	BH-7208-30	300392	Axle-Sheave	1	1
76	BH-7208-29	300393	Axle-Sheave	1	1
77	F-HC-0250-20-0375	1/4"-20 x 3/8"	Hex Head Bolt	1	1
78	F-LW-0250	1/4"	Split Lock Washer	2	2
79	BH-7202-95	300300	Rod Assy.-Restraint	1	1
80	BH-7224-162	300517-3	Column-Driven Side	1	1
81	BH-7224-161	300516-3	Column-Drive Side	1	1
82	BH-7224-175	300470-4	Conduit-Limit	1	--
	BH-7224-176	300470-3	Conduit-Limit	--	1
83	BH-7210-15	300281	Foam Tube-Limit	1	1
84	F-HC-0375-16-0250	3/8"-16x1-1/4"	Hex Head Bolt	8	8
85	F-LW-0375	3/8"	Split Lock Washer	8	8
86	F-HN-0375-16	3/8"-16	Hex Nut	8	8
87	F-HC-0500-13-2500	1/2"-13x2-1/2"	Hex Head Bolt	8	8
88	F-LW-0500	1/2"	Split Head Washer	8	8
89	F-HN-0500-13	1/2"-13	Hex Nut	8	8
90	F-HC-0250-20-0500	1/4"-20x1/2"	Hex Head Bolt	1	1
91	F-FW-0750-SAE	3/4"	Flat Washer	1	1
92	F-CP-125-1000	1/8"x1"	Cotter Pin	2	2

# BW-9 / 9L

Assembly

**DIRECTFIT™**



Lift Pad Assembly for Benwil Models BW-9 and GPOA9  
**BH-7208-66B** (Ref 100965)  
**BH-7208-66GMT-1** (1) For Lifting GM Trucks 2019+

Item	SVI part #	OEM #	Description	Qty
2	BH-7210-56	300554	Anchor-Chain	1
3	F-CP-125-0875	1/8" x 7/8"	Cotter Pin	4
4	BH-7210-52	300346	Pin, Chain Anchor	1
5	BH-7207-71	300555	Pin, Clevis	1
6	BH-7224-179	300562	Spacer-Sheave	2
7	BH-7208-46	300468	Sheave	3
8	BH-7208-47	300561	Shaft Assy.-Drive Side	1
9	BH-7210-57	300559	Shaft Assy.-Driven Side	2
10	F-LW-0250	1/4"	Split Lock Washer	3
11	F-HC-0250-20-0375	1/4"-20 x 3/8"	Hex Bolt	3
12	BH-7224-131	500388	Anchor Bolt Assembly	12
13	<b>BH-7211-01</b>	300238	Pin-Arm Fnt./Rear	4
14	BH-7211-02	300218-4	Snap Ring	4
15	BH-7207-63	300418-1	Arm Weld-Rear (LH)	1
16	BH-7207-03	300426	Arm-Weld Ext.-Rear	2
17	BH-7207-64	300418-2	Arm Weld-Rear (RH)	1
18	BH-7224-180	300444-1	Arm Weld-Asym.Frnt. (LH)	1
19	BH-7211-11	300428	Arm Weld Ext.-Frnt.	2
20	BH-7224-181	300444-2	Arm Weld-Asym. Frnt. (RH)	1
21	BH-7224-182	300249-5	Floor Plate	1
22	BH-7208-95	300469-1	Leaf Chain-447 Links	1
23	BH-7202-70	300568	Bumper Door	2
24	BH-7207-70	300553	Clevis-Chain	1

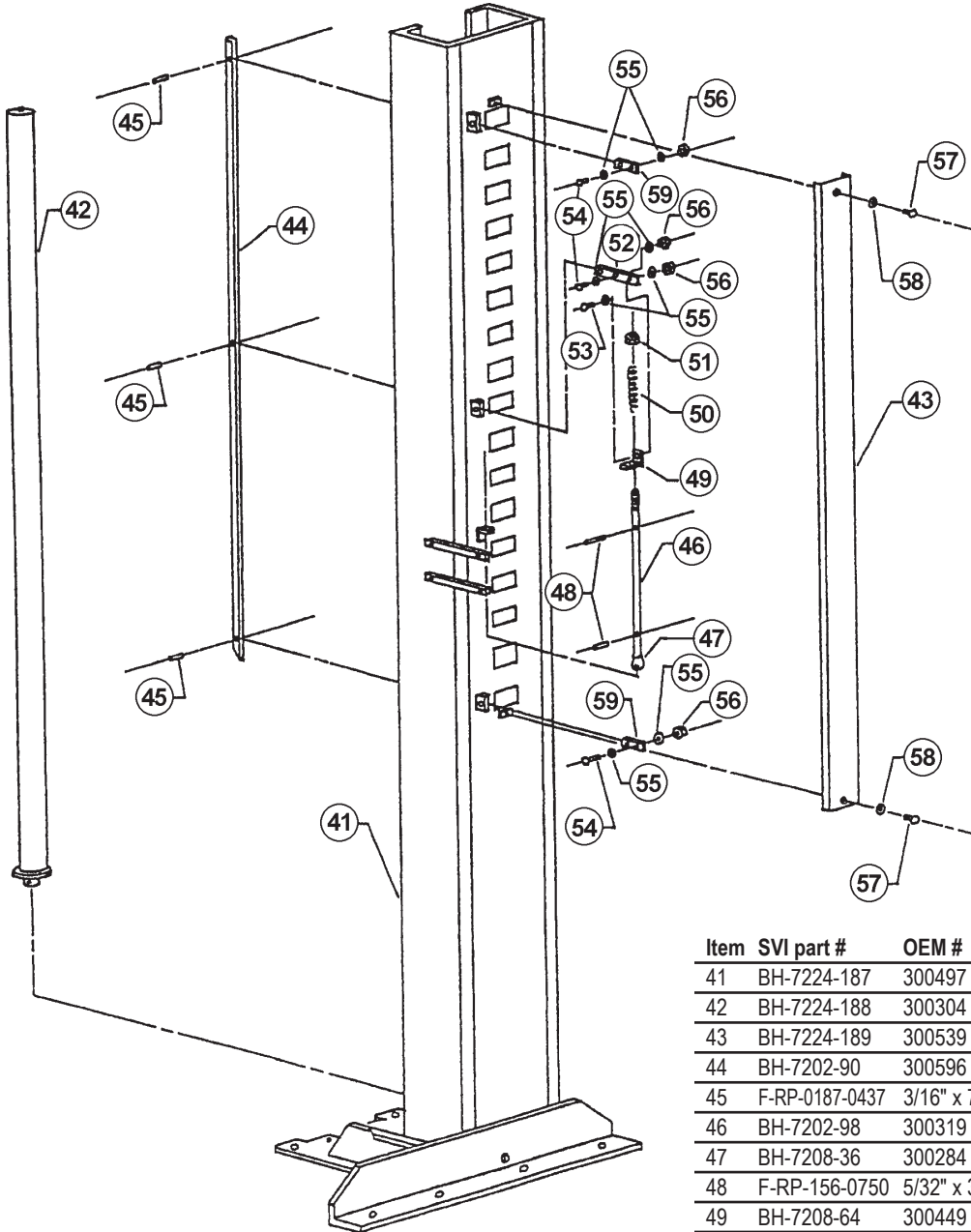
Item	SVI part #	OEM #	Description	Qty
25	F-HN-0625-18	5/8"-18	Hex Nut	1
26	F-JN-0625-18	5/8"-18	Hex Jam Nut	1
27	BH-7224-143	300408	Chain Cvr. Drive-Side	1
28	BH-7207-61	300409-3	Chain Cvr. Driven-Side	1
29	F-HC-0375-16-0750	3/8"-16 x 3/4"	Hex Bolt	8
30	F-LW-0375	3/8"	Split Lock Washer	12
31	F-MS-0010-32-0500	10-32 x 1/2"	Phil. Hd. Screw	4
32	F-HC-0500-13-2500	1/2"-13 x 2-1/2"	Hex Bolt	4
33	F-HN-0500-13	1/2"-13	Hex Nut	4
34	BH-7202-95	300300	Rod Assy.-Restraint	1
35	BH-7224-183	300304	Hydraulic Cylinder	1
	BH-7224-206	300677	Use for BW-9L	1
36	BH-7224-184	300497	Column-Drive Side	1
37	BH-7224-185	300498	Column-Driven Side	1
38	F-LW-0500	1/2"	Split Lock Washer	4
39	BH-7224-186	300504	Upper Sheave Bracket	1
40	F-HC-0375-16-1000	3/8"-16 x 1"	Hex Head Bolt	4
40-A	F-HN-0375-16	3/8"-16	Hex Head Nut	4
40-B	F-LW-0375	3/8"	Spring Lock Washer	4
--	<b>BH-7208-66B</b>	<b>100965</b>	<b>Lift Pad Assembly</b>	<b>4</b>
--	<b>BH-7208-66GMT-1</b>	100965-x	Lift Pad Assembly for GM Trucks 2019+	
--	<b>BH-7208-66GMT-2</b>	100965-xx	Lift Pad Assembly for GM Trucks 2019+	
--	BH-7542-75P		Replacement Pad for GM Truck Adapters	



**BW-9 / 9L**

Drive Column Assembly

**DIRECTFIT™**  
SVI's DIRECT FIT™ BRAND

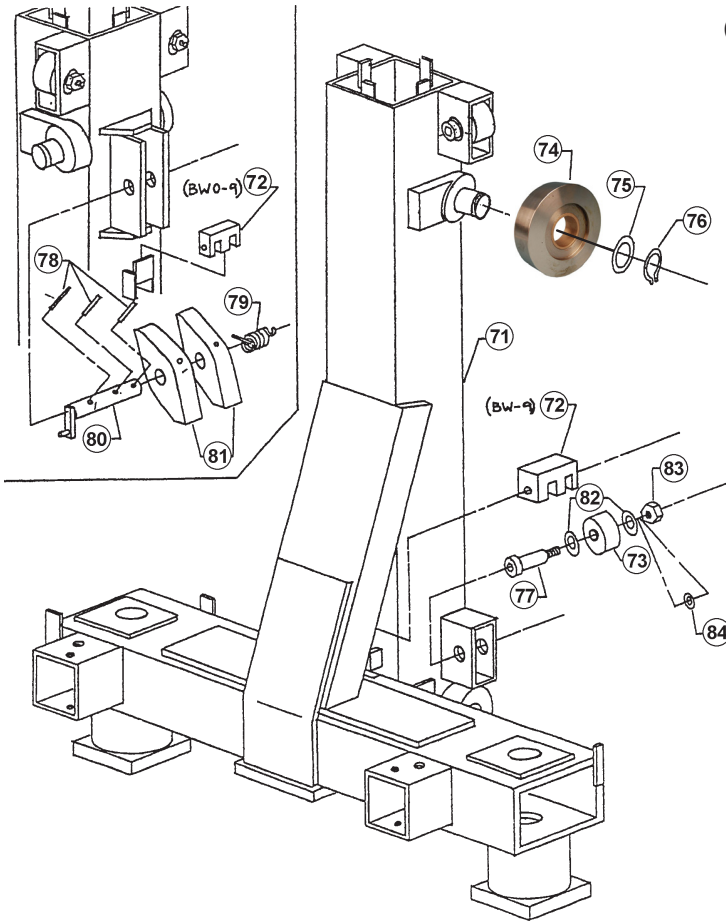


Item	SVI part #	OEM #	Description	Qty
41	BH-7224-187	300497	Column-Drive Side	1
42	BH-7224-188	300304	Hyd. Cyl. (PN 300677 BW-9L)	1
43	BH-7224-189	300539	Cover-Lock	1
44	BH-7202-90	300596	Channel-Lock Rel.	1
45	F-RP-0187-0437	3/16" x 7/16"	Roll Pin	3
46	BH-7202-98	300319	Rod-Lock Release	1
47	BH-7208-36	300284	Knob	1
48	F-RP-156-0750	5/32" x 3/4"	Roll Pin	2
49	BH-7208-64	300449	Angle-Lock Rel.	1
50	BH-7208-09	300397	Spring-Lock Rel.	1
51	F-HN-0375-16	3/8"-16	Hex Nut	1
52	BH-7208-21	300450	Link-Lock Rel.	1
53	F-MS-0010-32-0750	10-32 x 3/4"	Phil. Panhd. Screw	1
54	F-MS-0010-32-1000	10-32 x 1"	Phil. Panhd. Screw	3
55	F-FW-0187-SAE	3/16"	Flat Washer	8
56	F-NL-0010-32	10-32	Nylon Insert Lock Nut	4
57	F-MS-0250-20-0375	1/4"-20 x 3/8"	Phil Panhd. Screw	2
58	F-FW-0250-SAE	1/4"	Flatwasher	2
59	BH-7202-99	300178	Link-Lock Rel.	2

# BW-9 / 9L and BWO-9 / 9L / 9H

**DIRECTFIT™**  
SVI's DIRECT FIT™ BRAND

## Carriage Assembly, Drive Side



Item	SVI part #	OEM #	Description	BWO-9	
				BW-9	9L, 9H
71	BH-7224-190	300483-1	Carr. Weld-Drive Side	1	--
	BH-7224-191	300483-3	Carr. Weld-Drive Side	--	1
72	BH-7210-56	300554	Chain Anchor	1	1
73	BH-7208-38	300382	Roller Assembly-Side	4	4
74	BH-7208-37	300607	Roller-Flange	4	4
75	BH-7202-005	300617	Thrust Washer	4	4
76	BH-7202-006	300218-8	Snap Ring	4	4
77	F-SB-0625-11-1500	5/8" x 1-1/2"	Socket Shoulder Screw	4	4
78	F-RP-156-1500	5/32" x 1-1/2"	Roll Pin	3	3
79	BH-7202-93	300269	Spring-Safety Lock	1	1
80	BH-7202-91	300537	Pin Assembly	1	1
81	BH-7202-92	300612	Lock-Carriage	2	2
82	call for details	5/8" x 1-1/4"	Machine Bushing	8	8
83	F-NL-0500-13	1/2"-13	Insert Lock Nut	4	4
84	F-FW-0500-USS	1/2"	Flat Washer	4	4

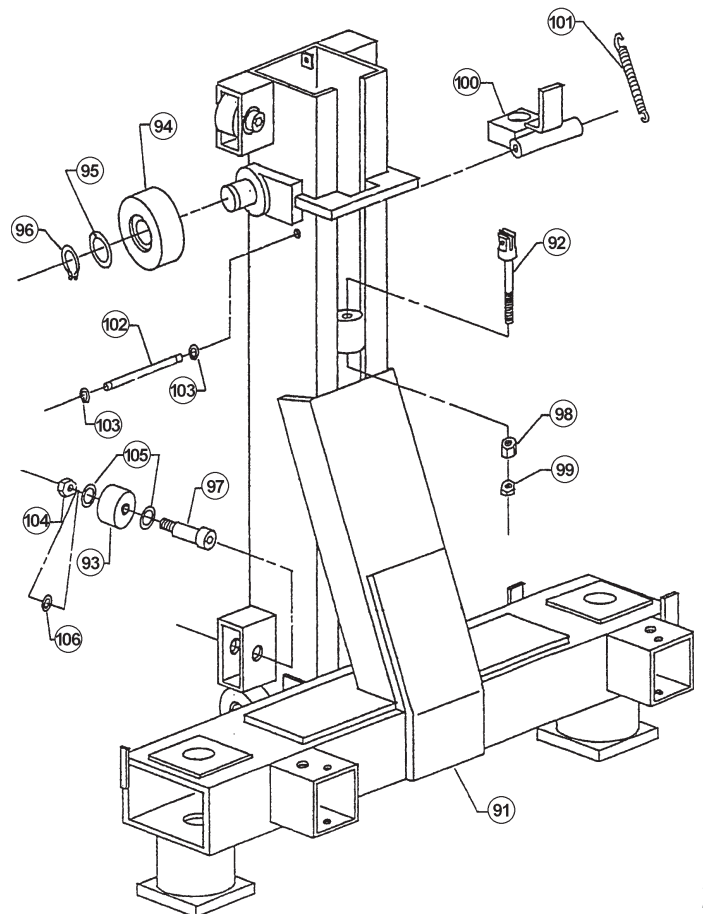


**BH-7208-38**  
(Ref 300382)  
**Side Roller Assembly**

# BW-9 / 9L and BWO-9 / 9L / 9H

## Carriage Assembly, Driven Side

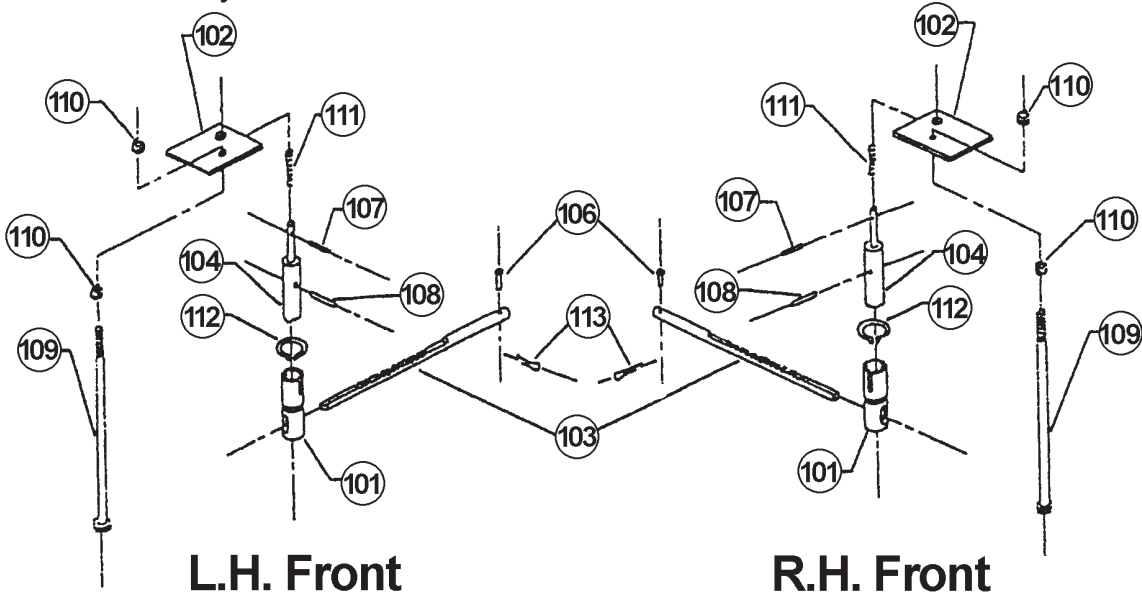
Item	SVI part #	OEM #	Description	BWO-9	
				BW-9	9L, 9H
91	BH-7224-192	300484	Carriage Weld-Driven	1	1
92	BH-7207-70	300553	Clevis-Chain	1	1
93	BH-7208-38	300382	Roller Assembly Side	4	4
94	BH-7208-37	300607	Roller-Flange	4	4
95	BH-7202-005	300617	Thrust Washer	4	4
96	BH-7202-006	300218-8	Snap Ring	4	4
97	F-SB-0625-11-1500	5/8" x 1-1/2"	Socket Shoulder Screw	4	4
98	F-HN-0625-18	5/8"-18	Hex Nut	1	1
99	F-JN-0625-18	5/8"-18	Jam Nut	1	1
100	BH-7202-96	300543	Lk. Weld-Loose Chain	1	1
101	BH-7202-97	300396	Spr.-Loose Chain Lk.	1	1
102	BH-7207-69	300546	Pin-Loose Chain	1	1
103	BH-7210-47	300218-11	Snap Ring	2	2
104	F-NL-0500-13	1/2"-13	Nylon Insert Lock Nut	4	4
105	call for details	5/8" x 1-1/4"	Machine Bushing	8	8
106	F-FW-0500-SAE	1/2"	Flat Washer	4	4



# BW-9 / 9L and BWO-9 / 9L / 9H

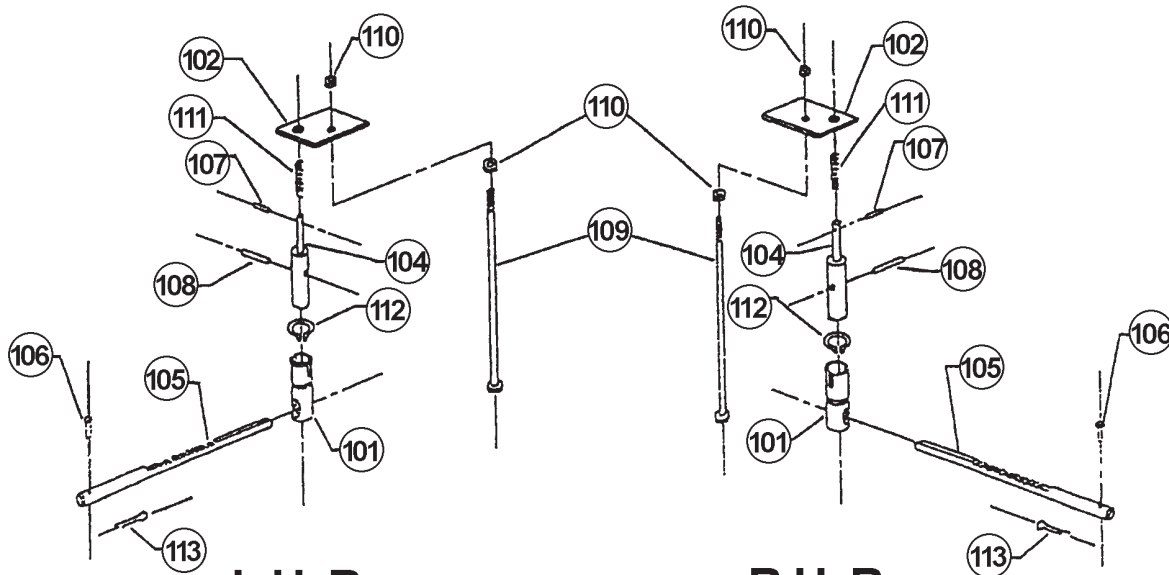
## Arm Lock Assembly

**DIRECTFIT™**  
SVI's DIRECT FIT™ BRAND



**L.H. Front**

**R.H. Front**



**L.H. Rear**

**R.H. Rear**

Item	SVI part #	OEM #	Description	BWO-9	
				BW-9	9L, 9H
101	BH-7208-01	300214	Supt. Tube-Lock Bar	4	4
102	BH-7208-27	300542	Link Arm Restraint	2	2
103	BH-7208-23	300216-7	Restraint Bar-Front Arm 10"	2	2
104	BH-7208-02	300217	Restraint Pin-Arm	4	4
105	BH-7208-28	300216-5	Restraint Bar-Rear Arm 9.5"	2	2
106	BH-7208-06	300136	Clevis Pin	4	4
107	F-RP-125-0750	1/8"x3/4"	Roll Pin	4	4
108	F-RP-187-1125	3/16"x1-1/8"	Roll Pin	4	4
109	F-HC-0375-16-8500	3/8"-16x8-1/2"	Hex Bolt	4	4
110	F-JN-0375-16	3/8"-16	Jam Nut	8	8
111	BH-7208-08	300222	Spring-Arm Lock	4	4
112	F-RR-5100-1000	300218-2	Snap Ring	4	4
113	F-CP-125-1000	1/8" x 1"	Cotter Pin	4	4
114	BH-7208-00		Set of 4 Arm Restraint Assy. for whole lift		



# BW-9 / 9L and BWO-9 / 9L / 9H

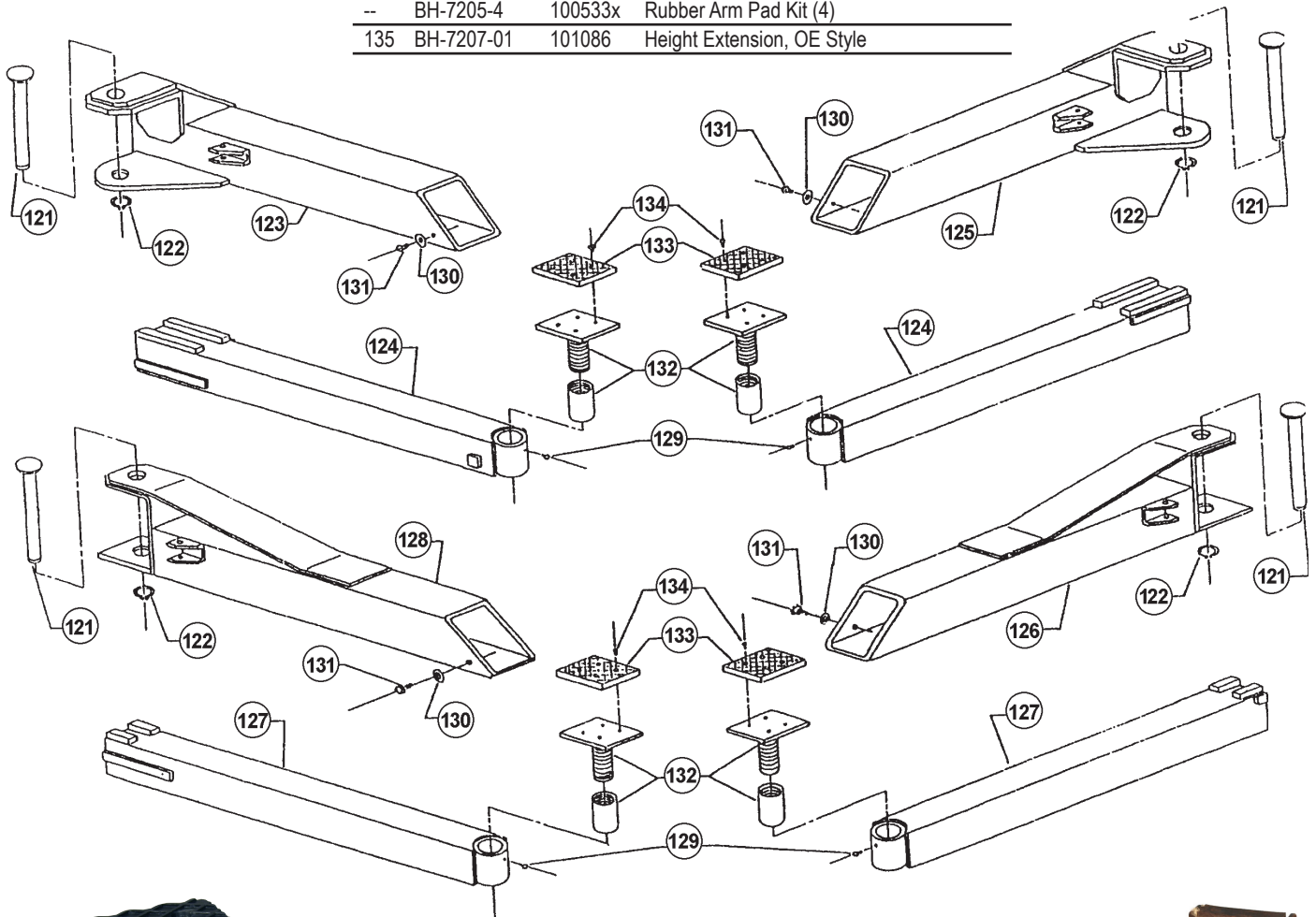
## Arm Assembly

**DIRECTFIT™**  
SVI's DIRECT FIT™ BRAND



**BH-7205**  
Rubber Pad

Item	SVI part #	OEM #	Description	BWO-9	
				BW-9	9L, 9H
121	BH-7211-01	300238	Pin-Arm	4	4
122	BH-7211-02	300218-4	Snap Ring	4	4
123	BH-7224-180	300444-1	Arm Weld-Asym. Front (LH)	1	1
124	BH-7211-11	300428	Arm Ext. Weld-Front	2	2
125	BH-7224-181	300444-2	Arm Weld-Asym. Front (RH)	1	1
126	BH-7207-63	300418-1	Arm Weld-Rear (LH)	1	1
127	BH-7207-03	300426	Arm Ext. Weld-Rear	2	2
128	BH-7207-64	300418-2	Arm-Weld-Rear (RH)	1	1
129	F-HC-0312-18-0500	5/16"-18x1/2"	Hex Bolt	4	4
130	call for details	3/8" x 1/32"	Aluminum Washer	4	4
131	F-HC-0375-16-0500	3/8"-16x1/2"	Hex Bolt	4	4
132	BH-7208-66B	100967	Lift Adapter Assembly	4	4
--	BH-7208-66GMT-1	100965-x	Lift Pad Assembly for GM Trucks 2019+		
--	BH-7208-66GMT-2	100965-xx	Lift Pad Assembly for GM Trucks 2019+		
--	BH-7542-75P		Rubber Pad for GM Truck Adapters		
133	BH-7205	100533	Rubber Arm Pad	4	4
--	BH-7205-4	100533x	Rubber Arm Pad Kit (4)		
135	BH-7207-01	101086	Height Extension, OE Style		



**BH-7208-66B** (Ref 100965)  
Lift Pad Assembly for Benwil  
Models BW-9 and GPOA9



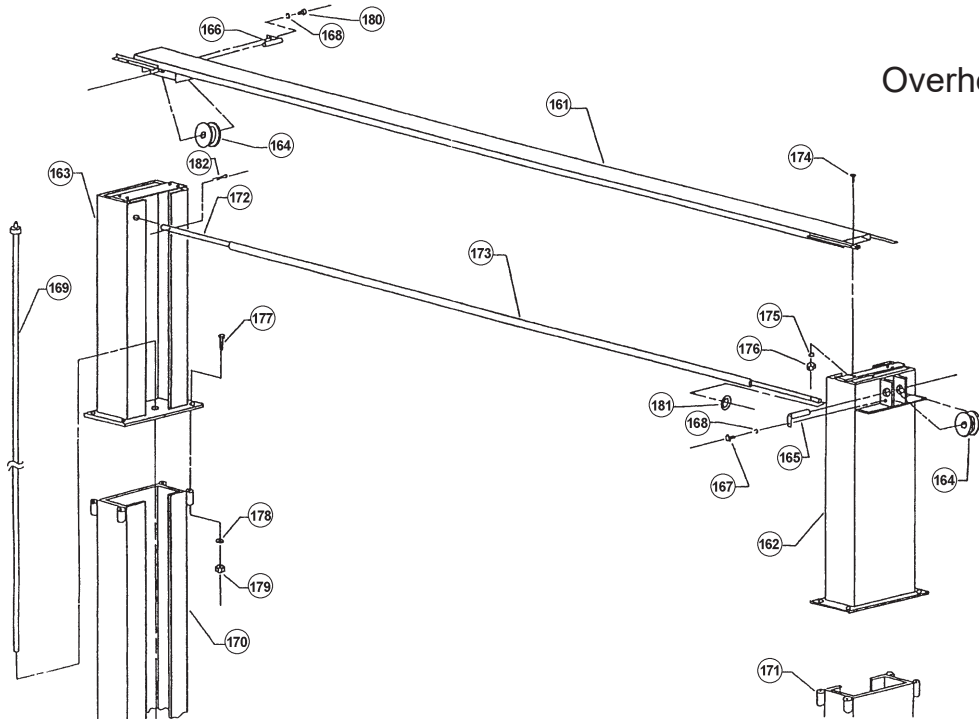
**BH-7207-01**



**BWO-9**

Overhead Beam Assembly

**DIRECTFIT™**



Item	SVI part #	OEM #	Description	Qty
161	BH-7224-197	300518	Overhead Beam	1
162	BH-7224-198	300533	Upper Column Drive Side	1
163	BH-7224-199	300532	Upper Column Driven Side	1
164	BH-7208-46	300468	Sheave	2
165	BH-7210-57	300559	Axle-Sheave	1
166	BH-7210-58	300560	Axle-Sheave	1
167	F-HC-0250-20-0375	1/4"-20 x 3/8"	Hex Bolt	1
168	F-LW-0250	1/4"	Split Lock Washer	2
169	BH-7202-95	300300	Rod Assembly-Restraint	1
170	call for details	300517-1	Column Driven Side	1
171	call for details	300516-1	Column Drive Side	1

Item	SVI part #	OEM #	Description	Qty
172	BH-7224-176	300470-3	Conduit	1
173	BH-7210-15	300281	Foam Tubing	1
174	F-HC-0375-16-1250	3/8"-16x1-1/4"	Hex Bolt	8
175	F-LW-0375	3/8"	Split Lock Washer	8
176	F-HN-0375-16	3/8"-16	Hex Nut	8
177	F-HC-0500-13-2500	1/2"-13x2-1/2"	Hex Bolt	8
178	F-LW-0500	1/2"	Split Lock Washer	8
179	F-HN-0500-13	1/2"-13	Hex Nut	8
180	F-HC-0250-20-0500	1/4"-20x1/2"	Hex Head Bolt	1
181	F-FW-0375-SAE	3/4"	Flat Washer	1
182	F-CP-125-1000	1/8" x 1"	Cotter Pin	2

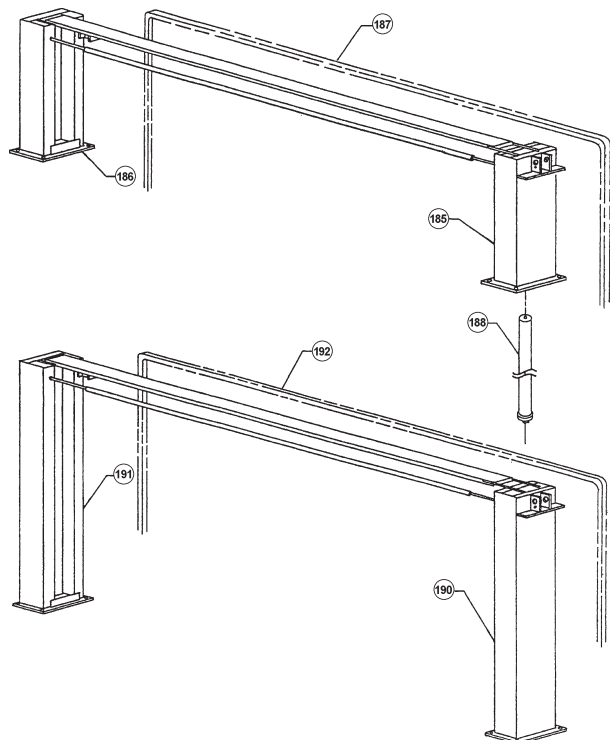
**BWO-9L / 9H**

BWO-9L Overhead Beam Assembly

Item	SVI part #	OEM #	Description	Qty
185	BH-7224-202	300669	Upper Column Drive Side	1
186	BH-7224-204	300532-5	Upper Column Driven Side	1
187	BH-7224-205	300469-7	Leaf Chain-501 Links	1
188	BH-7224-206	300677	Hydraulic Cylinder	1

BWO-9H Overhead Beam Assembly

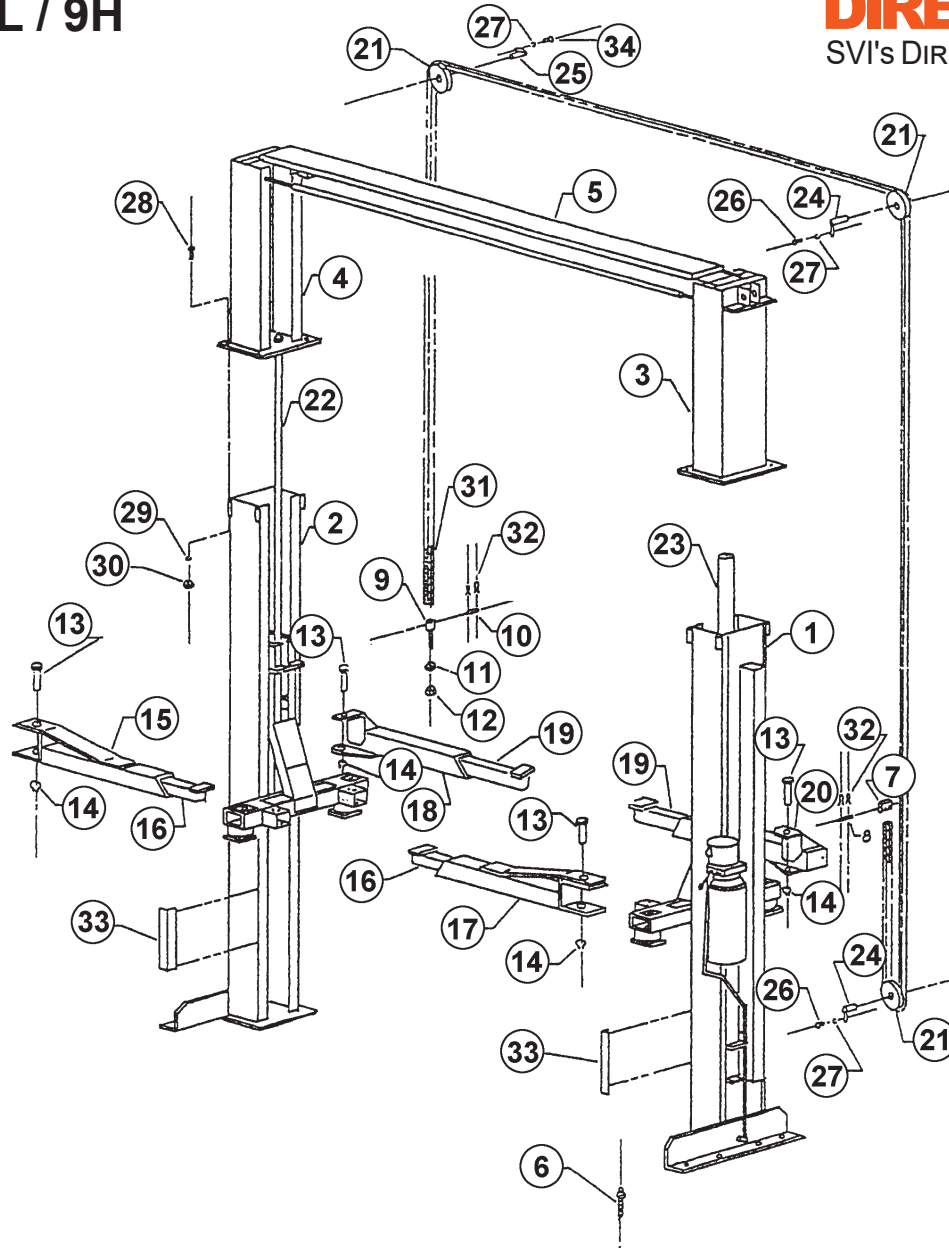
Item	SVI part #	OEM #	Description	Qty
190	BH-7224-207	300666	Upper Column Drive Side	1
191	BH-7224-208	300532-3	Upper Column Driven Side	1
192	BH-7224-203	300469-5	Leaf Chain-572 Links	1



# BWO-9 / 9L / 9H

## Assembly

**DIRECTFIT™**  
SVI's DIRECT FIT™ BRAND



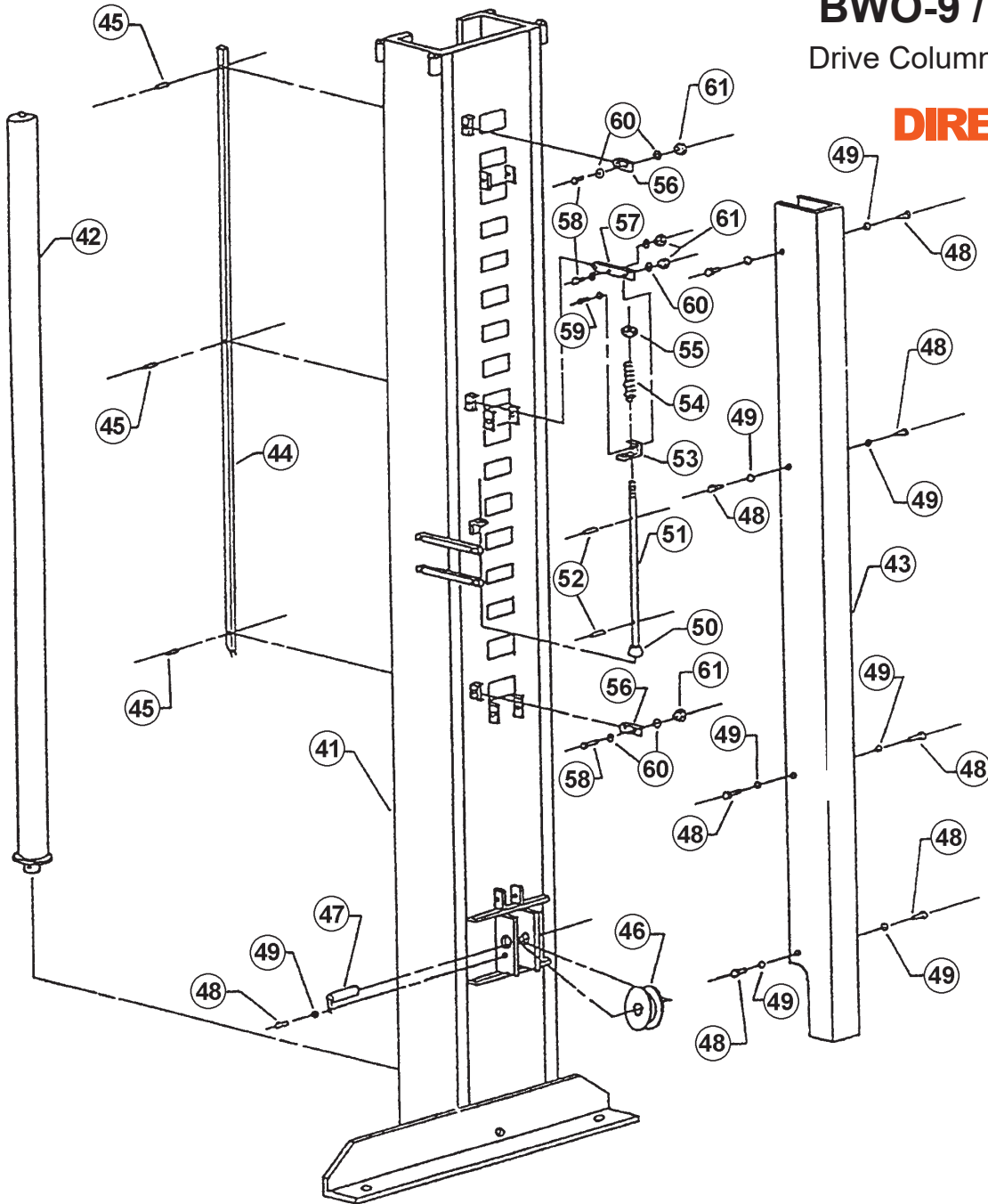
Item	SVI part #	OEM #	Description	Qty
1	BH-7224-195	300516-1	Column-Drive Side	1
2	BH-7224-200	300517-1	Column-Driven Side	1
3	BH-7224-198	300533	Upper Column-Drive Side	1
4	BH-7224-199	300532	Upper Column-Driven Side	1
5	BH-7224-197	300518	Overhead Beam	1
6	BH-7224-131	500388	Anchor Bolt Assembly	8
7	BH-7210-56	300554	Anchor-Chain	1
8	BH-7210-52	300346	Pin-Anchor Chain	1
9	BH-7207-70	300553	Clevis-Chain	1
10	BH-7207-71	300555	Pin Clevis	1
11	F-HN-0625-18	5/8"-18	Hex Nut	1
12	F-JN-0625-18	5/8"-18	Hex Jam Nut	1
13	<b>BH-7211-01</b>	300238	Pin-Arm Front/Rear	4
14	BH-7211-02	300218-4	Snap Ring	4
15	BH-7207-63	300418-1	Arm Weld-Rear (LH)	1
16	BH-7207-03	300426	Arm Weld Ext.-Rear	2
17	BH-7207-64	300418-2	Arm Weld-Rear (RH)	1
18	BH-7224-180	300444-1	Arm Weld-Asym. Front (LH)	1

19	BH-7211-11	300428	Arm Weld Ext. Front	2
20	BH-7224-181	300444-2	Arm Weld-Asym. Front (RH)	1
21	BH-7208-46	300468	Sheave	3
22	BH-7202-95	300300	Rod Assembly-Restraint	1
23	BH-7224-183	300304	Hydraulic Cylinder	1
	BH-7224-206	(PN 300677 BWO-9L)		1
24	BH-7210-57	300559	Axle-Sheave	2
25	BH-7210-58	300560	Axle-Sheave	1
26	F-HC-0250-20-0375	1/4"-20 x 3/8"	Hex Bolt	2
27	F-LW-0250	1/4"	Split Lock Washer	3
28	F-HC-0500-13-2500	1/2"-13x2-1/2"	Hex Bolt	8
29	F-LW-0500	1/2"	Split Lock Washer	8
30	F-HN-0500-13	1/2"-13	Hex Nut	8
31	BH-7224-193	300469-3	Leaf Chain-513 Links	1
32	F-RP-128-0875	1/8" x 7/8"	Cotter Pin	4
33	BH-7224-195	300598	Bumper Door	2
34	F-HC-0250-20-0500	1/4"-20 x 1/2"	Hex Head Bolt	1



**BWO-9 / 9L / 9H**  
Drive Column Assembly

**DIRECTFIT™**



Item	SVI part #	OEM #	Description	Qty
41	BH-7224-195	300516-1	Column-Drive Side	1
42	BH-7224-183	300304	Hydraulic Cylinder	1
	BH-7224-206	300677	Cylinder for BWO-9L	1
43	BH-7224-196	300538	Cover Chain	1
44	BH-7202-90	300596	Channel Lock Release	1
45	F-RP-0187-0437	3/16" x 7/16"	Roll Pin	3
46	BH-7208-46	300468	Sheave	1
47	BH-7210-57	300559	Axle-Sheave	1
48	F-HC-0250-20-0375	1/4"-20 x 3/8"	Hex Bolt	9
49	F-LW-0250	1/4"	Split Lock Washer	9
50	BH-7208-36	300284	Knob	1

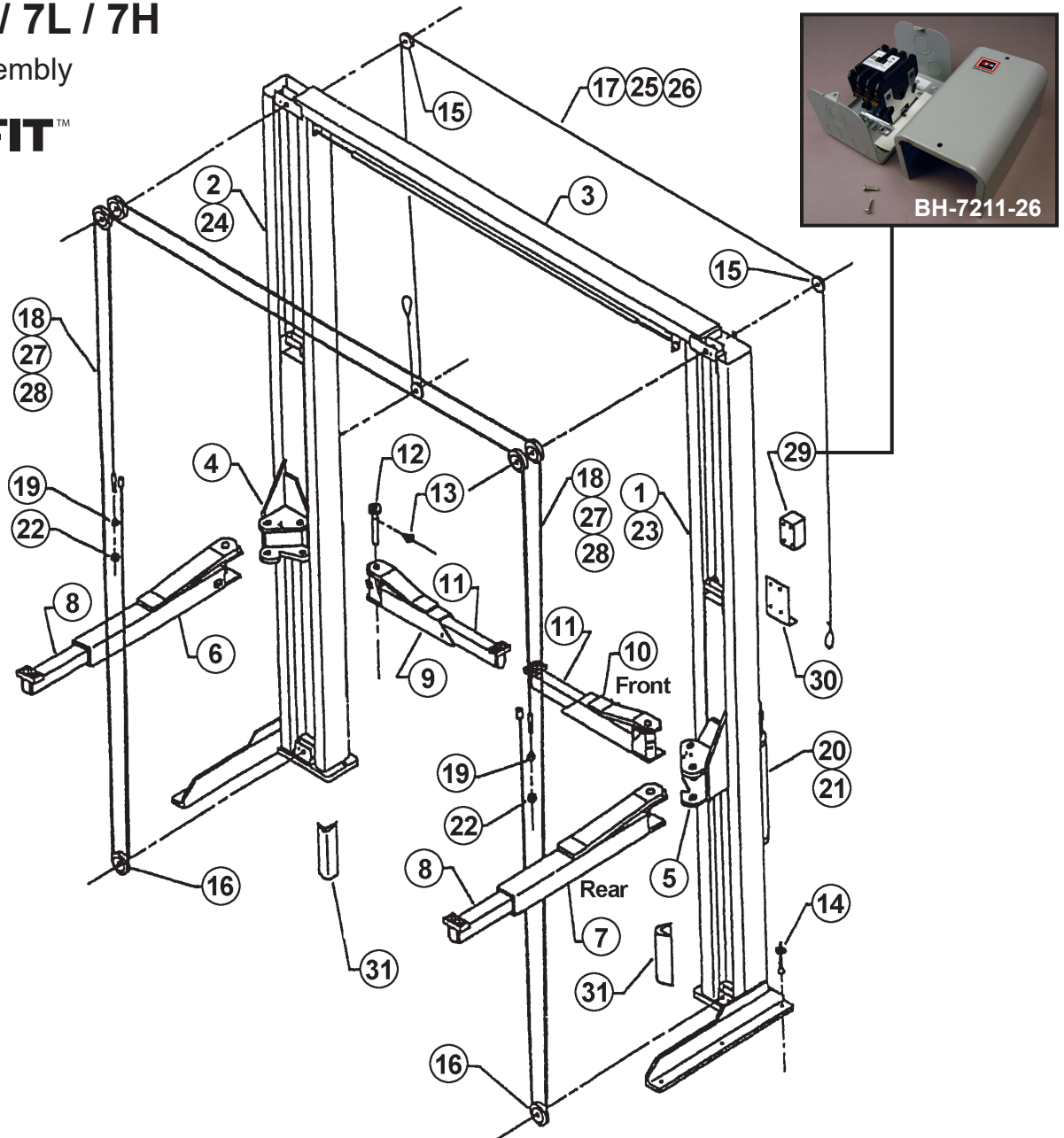
Item	SVI part #	OEM #	Description	Qty
51	BH-7202-98	300319	Rod-Lock Release	1
52	F-RP-156-0750	5/32" x 3/4"	Roll Pin	2
53	BH-7208-64	300449	Angle-Lock Release	1
54	BH-7208-09	300397	Spring-Lock Release	1
55	F-HN-0375-16	3/8"-16	Hex Nut	1
56	BH-7202-99	300178	Link-Lock Release	2
57	BH-7208-21	300450	Link-Lock Release	1
58	F-MS-0010-32-1000	10-32 x 1"	Phil. Panhd. Screw	3
59	F-MS-0010-32-0750	10-32 x 3/4"	Phil. Panhd. Screw	1
60	F-FW-0187-SAE	3/16"	Flat Washer	8
61	F-NL-0010-32	10-32	Nylon Insert Lock Nut	4

P  
a  
g  
e

# GPOA-7 / 7L / 7H

## General Assembly

**DIRECTFIT™**



Item	SVI part #	OEM #	Description	7	7L	7H
1	BH-7224-209	300920	R.H. Column	1	--	1
2	BH-7224-210	300833	L.H. Column	1	--	1
3	BH-7224-211	300739	Overhead Beam	1	1	1
4	BH-7210-21	300822-1	Carriage L.H.	1	1	1
5	BH-7210-20	300822-2	Carriage R.H.	1	1	1
6	BH-7208-63	300323-1	Rear Arm-L.H.	1	1	1
7	BH-7208-60	300323-2	Rear Arm-R.H.	1	1	1
8	BH-7207-45	300201-7	Rear Arm Ext.	2	2	2
9	BH-7207-72	300556-1	Front Arm-L.H.	1	1	1
10	BH-7207-73	300556-2	Front Arm-R.H.	1	1	1
11	BH-7211-39	300915	Front Arm Ext.	2	2	2
12	BH-7208-61	300566	Pin-Arm	4	4	4
13	BH-7207-49	300218-13	Snap Ring	4	4	4
14	BH-7224-131	500388	Anchor Bolt Assembly	8	8	8
15	BH-7208-56	300874	Pulley Lock Rel.	3	3	3
16	<b>BH-7202-007</b>	<b>300731</b>	<b>Pulley</b>	<b>6</b>	<b>6</b>	<b>6</b>
17	BH-7209-56	300849-1	Cable Assy.-Latch Rel. Sys.	1	--	--

Item	SVI part #	OEM #	Description	7	7L	7H
18	BH-7208-32	300805-1	Cable Assy. Sync.	2	--	--
19	F-HN-0500-20	1/2"-20	Hex Head Nut	2	2	2
20	BH-7006-01	101067	Elect.-Hyd. Pump (1PH)	1	1	1
21	BH-7006-03	101068	Elect.-Hyd. Pump (3PH)*	1	1	1
22	F-JN-0500-20	1/2"-20	Hex Head Jam Nut	2	2	2
23	BH-7224-212	300920-1	R.H. Column	--	1	--
24	BH-7224-213	300833-1	L.H. Column	--	1	--
25	BH-7210-76	300849-9	Cable Assy.-Lat. Rel. Sys.	--	1	--
26	BH-7210-74	300849-3	Cable Assy.-Lat. Rel. Sys.	--	--	1
27	BH-7208-68	300805-2	Cable Assy.-Synch.	--	2	--
28	BH-7208-69	300805-3	Cable Assy.-Synch.	--	--	2
29	BH-7211-26	100998	3PH Contractor *	1	1	1
30	BH-7224-214	300993	Bracket 3PH Contractor *	1	1	1
31	BH-7202-70	300568	Bumper-Corner	2	2	2

\* Optional



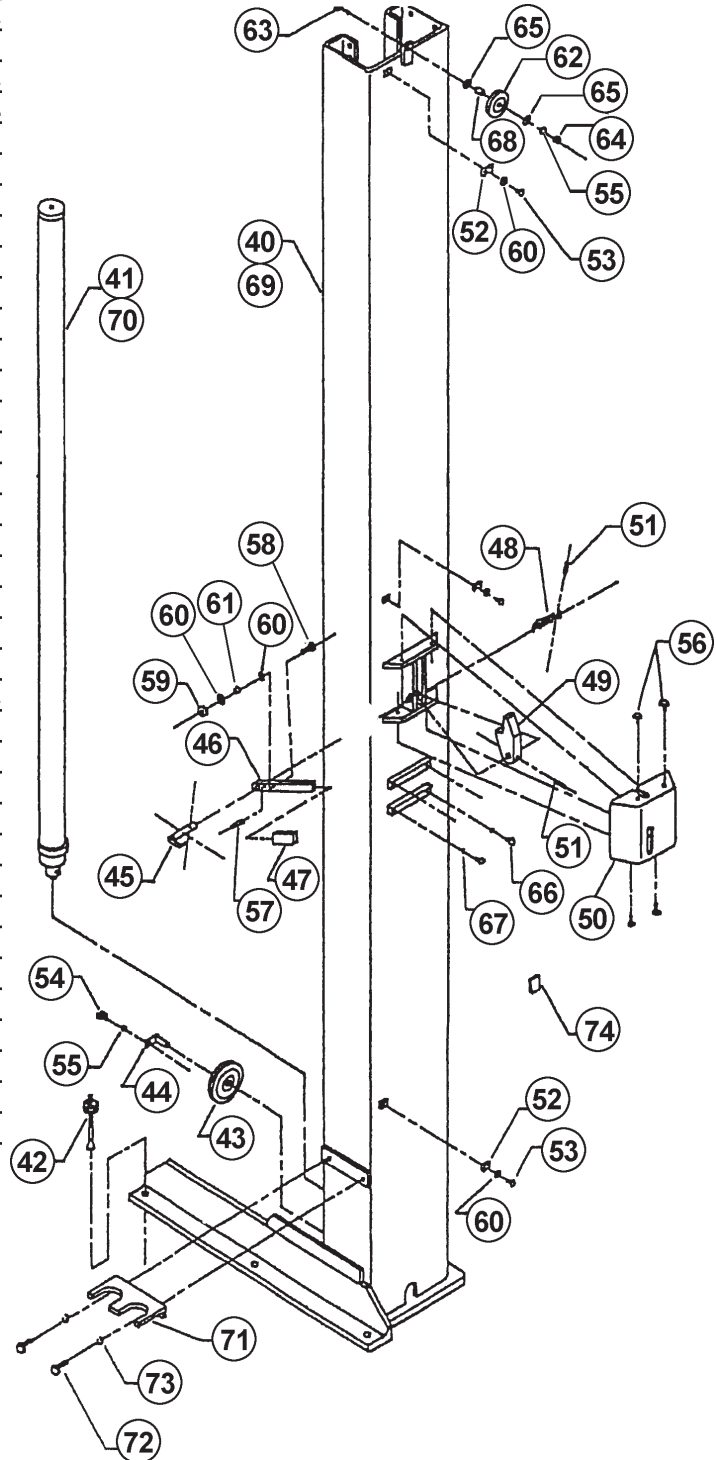
# GPOA-7 / 7L / 7H

## Right Hand Column Assembly

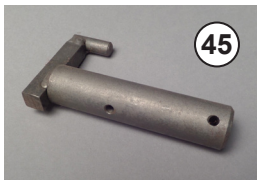
**DIRECTFIT™**  
SVI's DIRECT FIT™ BRAND

Item	SVI part #	OEM #	Description	7	7L	7H
40	BH-7224-209	300920	Column-RH	Ref.	--	Ref.
41	BH-7207-55	300718	Hydraulic Cylinder	1	--	1
42	BH-7224-131	500388	Anchor Bolt Assembly	Ref.	Ref.	Ref.
<b>43</b>	<b>BH-7202-007</b>	<b>300731</b>	<b>Pulley</b>	<b>Ref.</b>	<b>Ref.</b>	<b>Ref.</b>
44	BH-7209-88	300835	Axle-Lower Pulley	1	1	1
45	BH-7208-43	300840	Release Assy.-Latch	1	1	1
46	BH-7208-55	300843	Handle-Latch Act.	1	1	1
47	BH-7224-215	300944	Cover-Handle	1	1	1
48	BH-7202-93	300269	Spring-Safety Lock	1	1	1
49	BH-7211-12	300807	Latch	1	1	1
50	BH-7208-52	300912	Cover-RH Column	1	1	1
51	F-RP-156-1500	5/32 x 1-1/2"	Roll Pin	2	2	2
52	BH-7211-32	300947	Clamp Cable	3	3	3
53	F-MS-0010-25-0312	10-24 x 5/16"	Phil. Pnhd. Screw	3	3	3
54	F-HC-0250-20-0375	1/4"-20 x 3/8"	Hex Head Bolt	1	1	1
55	F-LW-0250	1/4"	Split Lock Washer	2	2	2
56	F-MS-0010-24-0500	10-24 x 1/2"	Phil Pnhd. Screw	4	4	4
57	F-SP-187-0500	3/16" x 1/2"	Spring Pin	1	1	1
58	F-HC-0010-24-1000	10-24 x 1"	Hex Head Bolt	1	1	1
59	F-NL-0010-24	10-24	Hex Head Lock Nut	1	1	1
60	F-FW-0187	3/16"	Flat Washer (USS or SAE)	5	5	5
61	BH-7210-73	300844	Spacer-Cable Conn.	1	1	1
62	BH-7208-56	300874	Pulley Lock Release	Ref.	Ref.	Ref.
63	F-HC-0250-20-1500	1/4"-20 x 1-1/2"	Hex Hd. Bolt	1	1	1
64	F-HN-0250-20	1/4"-20	Hex Head Nut	1	1	1
65	F-FW-0250-USS	1/4"	Flat Washer	2	2	2
66	F-HC-0312-18-0625	5/16"-18x5/8"	Hex Head Bolt	4	4	4
67	F-LW-0312	5/16"	Split Lock Washer	4	4	4
68	BH-7208-57	300875	Steel Insert-Pulley	1	1	1
69	BH-7224-212	300920-1	Column-RH	--	Ref.	--
70	BH-7224-216	300936	Hydraulic Cylinder	--	1	--
71	BH-7210-82	300878-1	Bracket-Trk. Adpt.*	1	1	1
72	F-HC-0250-20-0375	1/4"-20x3/8"	Hex Head Bolt*	2	2	2
73	F-LW-0250	1/4"	Split Lock Washer*	2	2	2
74	BH-7224-217	301013	Strip-Polyurethane	1	1	1

\* Optional



P  
a  
g  
e

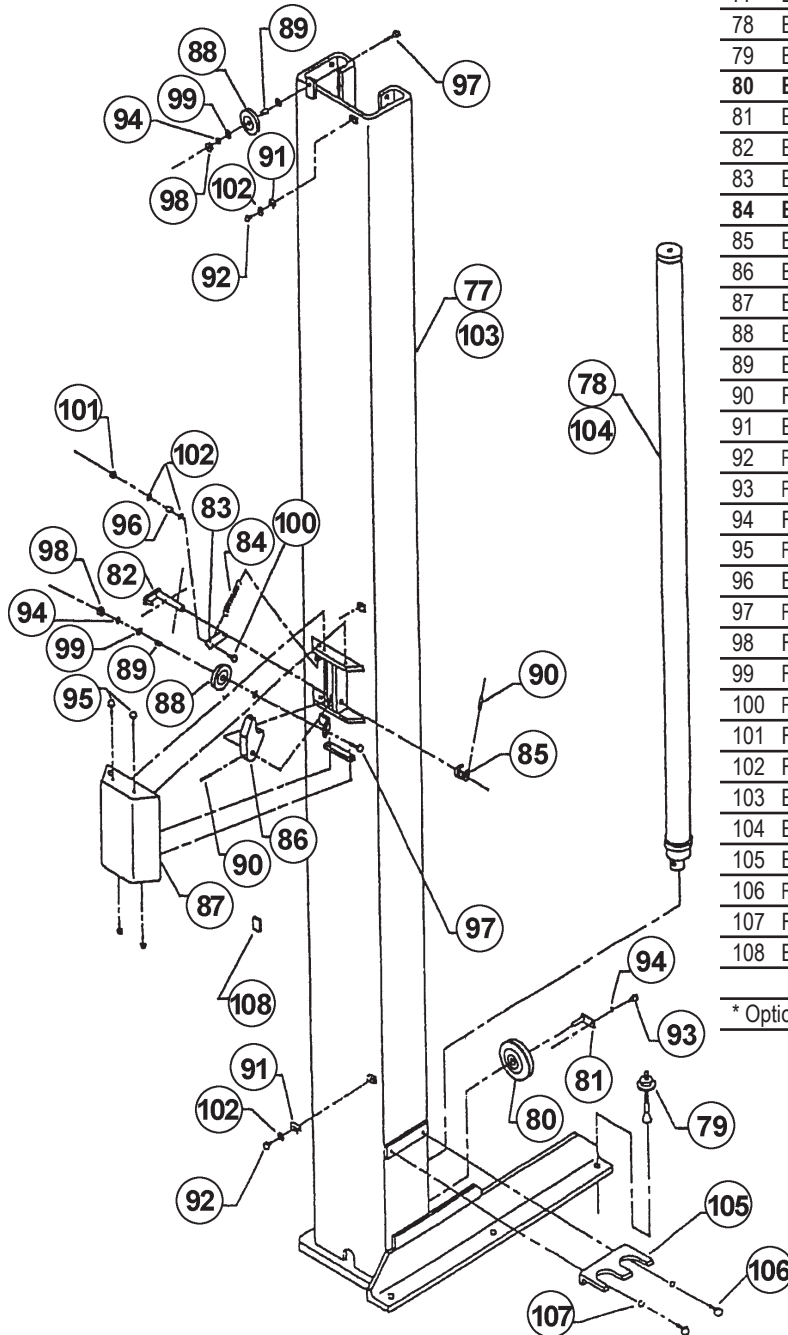


**45** **BH-7208-43**  
(Ref 300840)  
**Release Assembly-Latch**

# GPOA-7 / 7L / 7H

## Left Hand Column Assembly

**DIRECTFIT™**  
SVI's DIRECT FIT™ BRAND



Item	SVI part #	OEM #	Description	7	7L	7H
77	BH-7224-210	300833	Column-LH	Ref.	--	Ref.
78	BH-7208-96	301169	Hydraulic Cylinder	1	--	1
79	BH-7224-131	500388	Anchor Bolt Assembly	Ref.	Ref.	Ref.
80	<b>BH-7202-007</b>	<b>300731</b>	<b>Pulley</b>	Ref.	Ref.	Ref.
81	BH-7209-88	300835	Axle Assy.-Lw. Pulley	1	1	1
82	BH-7208-43	300840	Rel. Assy.-Latch	1	1	1
83	BH-7210-72	300842	Lever-Latch Act.	1	1	1
84	<b>BH-7213-87</b>	<b>300873</b>	<b>Spring Lock Rel.</b>	<b>1</b>	<b>1</b>	<b>1</b>
85	BH-7202-93	300269	Spring-Safety Lock	1	1	1
86	BH-7211-12	300807	Latch	1	1	1
87	BH-7210-90	300913	Cover-LH Column	1	1	1
88	BH-7208-56	300874	Pulley-Lock Rel.	Ref.	Ref.	Ref.
89	BH-7208-57	300875	Steel Insert-Pulley	2	2	2
90	F-RP-156-1500	5/32" x 1-1/2"	Roll Pin	2	2	2
91	BH-7211-32	300947	Clamp-Cable	3	3	3
92	F-MS-0010-24-0312	10-24 x 5/16"	Phil Pnhd. Screw	3	3	3
93	F-HC-0250-20-0375	1/4"-20 x 3/8"	Hex Head Bolt	1	1	1
94	F-LW-0250	1/4"	Split Lock Washer	3	3	3
95	F-MS-0010-24-0500	10-24 x 1/2"	Phil. Pnhd. Screw	4	4	4
96	BH-7210-73	300844	Spacer-Cable Conn.	1	1	1
97	F-HC-0250-20-1500	1/4"-20 x 1-1/2"	Hex Hd. Bolt (Gr. 5)	2	2	2
98	F-HN-0250-20	1/4"-20	Hex Head Nut	2	2	2
99	F-FW-0250-USS	1/4"	Flat Washer (USS)	4	4	4
100	F-HC-0010-24-1000	10-24 x 1"	Hex Head Bolt	1	1	1
101	F-NL-0010-24	10-24	Hex Head Lock Nut	1	1	1
102	F-FW-0187	3/16"	Flat Washer (USS or SAE)	5	5	5
103	BH-7224-213	300833-1	Column-LH	--	Ref.	--
104	BH-7208-96	301169	Hydraulic Cylinder	--	1	--
105	BH-7210-82	300878-1	Bracket-Trk. Adpt. *	1	1	1
106	F-HC-0250-20-0375	1/4"-20 x 3/8"	Hex Head Bolt *	2	2	2
107	F-LW-0250	1/4"	Split Lock Washer *	2	2	2
108	BH-7224-217	301013	Strip-Polyurethane	1	1	1

\* Optional



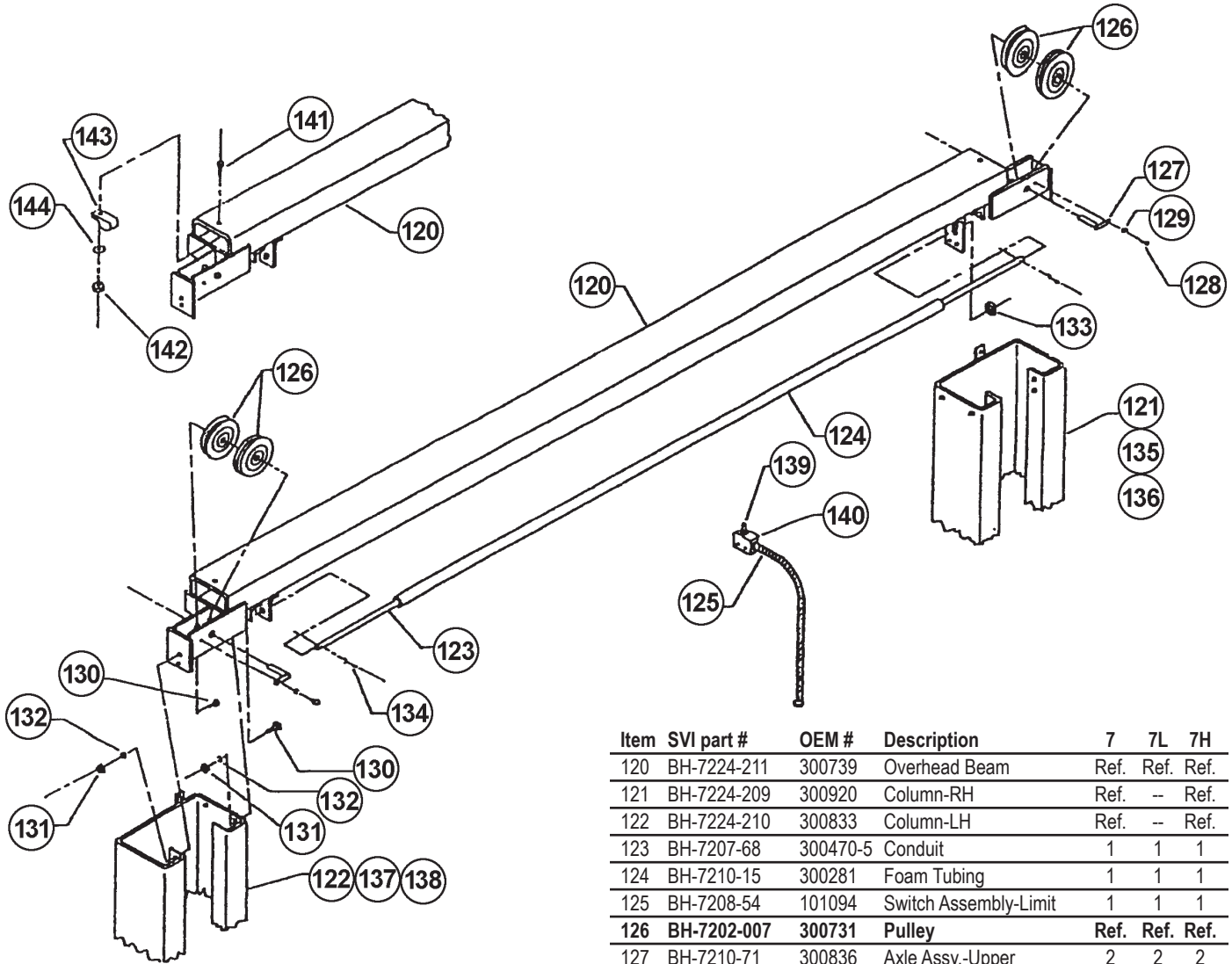
**BH-7213-87**  
(Ref 300873)  
**Spring,**  
**Lock Release**



# GPOA-7 / 7L / 7H

## Overhead Beam Assembly

**DIRECTFIT™**  
SVI's DIRECT FIT™ BRAND



Item	SVI part #	OEM #	Description	7	7L	7H
120	BH-7224-211	300739	Overhead Beam	Ref.	Ref.	Ref.
121	BH-7224-209	300920	Column-RH	Ref.	--	Ref.
122	BH-7224-210	300833	Column-LH	Ref.	--	Ref.
123	BH-7207-68	300470-5	Conduit	1	1	1
124	BH-7210-15	300281	Foam Tubing	1	1	1
125	BH-7208-54	101094	Switch Assembly-Limit	1	1	1
126	<b>BH-7202-007</b>	<b>300731</b>	<b>Pulley</b>	<b>Ref.</b>	<b>Ref.</b>	<b>Ref.</b>
127	BH-7210-71	300836	Axle Assy.-Upper	2	2	2
128	F-HC-0250-20-0375	1/4"-20 x 3/8"	Hex Head Bolt	2	2	2
129	F-LW-0250	1/4"	Split Lock Washer	2	2	2
130	F-HC-0437-14-1250	7/16"-14 x 1-1/4"	Hex Head Bolt	8	8	8
131	F-HN-0437-14	7/16"-14	Hex Head Nut	8	8	8
132	F-LW-0437	7/16"	Split Lock Washer	8	8	8
133	F-FW-0750-SAE	3/4"	Flat Washer (SAE)	1	1	1
134	F-CP-125-1000	1/8" x 1"	Cotter Pin	2	2	2
135	BH-7224-212	300920-1	Column-RH	--	Ref.	--
136	BH-7224-218	300937	Ext. Assembly-RH	--	--	1
137	BH-7224-213	300833-1	Column-LH	--	Ref.	--
138	BH-7224-219	300938	Ext. Assembly-LH	--	--	1
139	BH-7209-54	300282	Micro-Switch	1	1	1
140	BH-7209-87	300283	Enclosure Switch	1	1	1
141	F-HC-0010-24-1000	10-24 x 1"	Hex Head Bolt	2	2	2
142	F-HN-0010-24	10-24	Hex Head Nut	2	2	2
143	BH-7211-32	300947	Cable Clamp	2	2	2
144	F-FW-0187	3/16"	Flat Washer (USS or SAE)	2	2	2



### POWER STATION™ AIR / ELECTRIC UTILITY BOX

Simply install the PowerStation™ on your surface-mount lift or nearby wall, bring in your air and electric service, and watch the results. You'll see improved performance and a more organized shop. No longer worry about trip hazards associated with cords and hoses stretched for great distances across your floor.



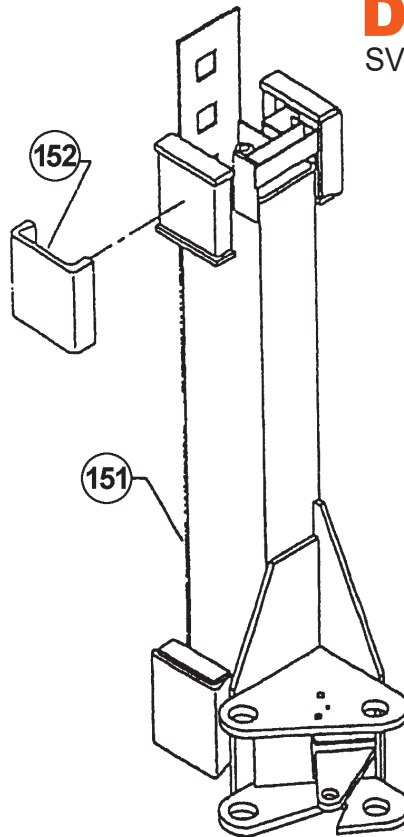
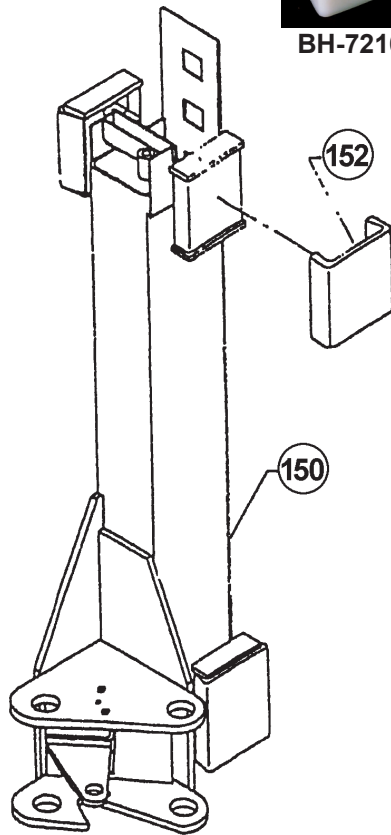
# GPOA-7 / 7L / 7H

## Carriage Assembly

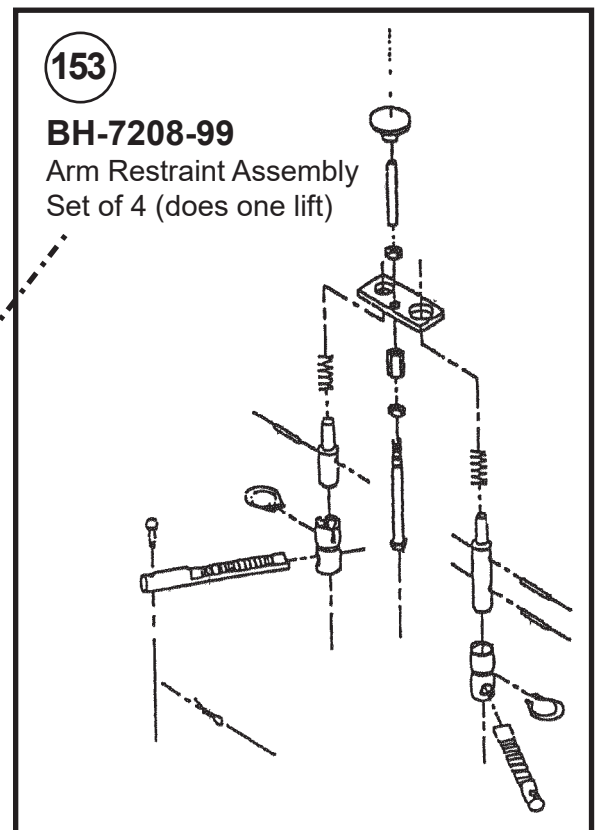
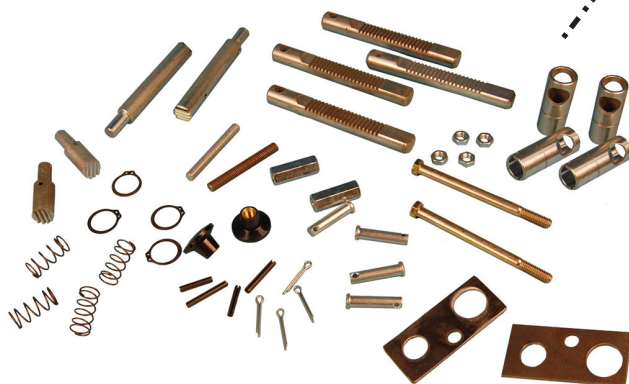
**DIRECTFIT™**  
SVI's DIRECT FIT™ BRAND



**BH-7216-01**



Item	SVI part #	OEM #	Description	7	7L	7H
150	BH-7210-21	300822-1	Carriage-LH	Ref.	Ref.	Ref.
151	BH-7210-20	300822-2	Carriage-RH	Ref.	Ref.	Ref.
152	<b>BH-7216-01</b>	300866	Slider Block w/o Notch	8	8	8
153	<b>BH-7208-99</b>		Arm Restraint <b>Kit</b> , Set of 4 (does 1 lift)			

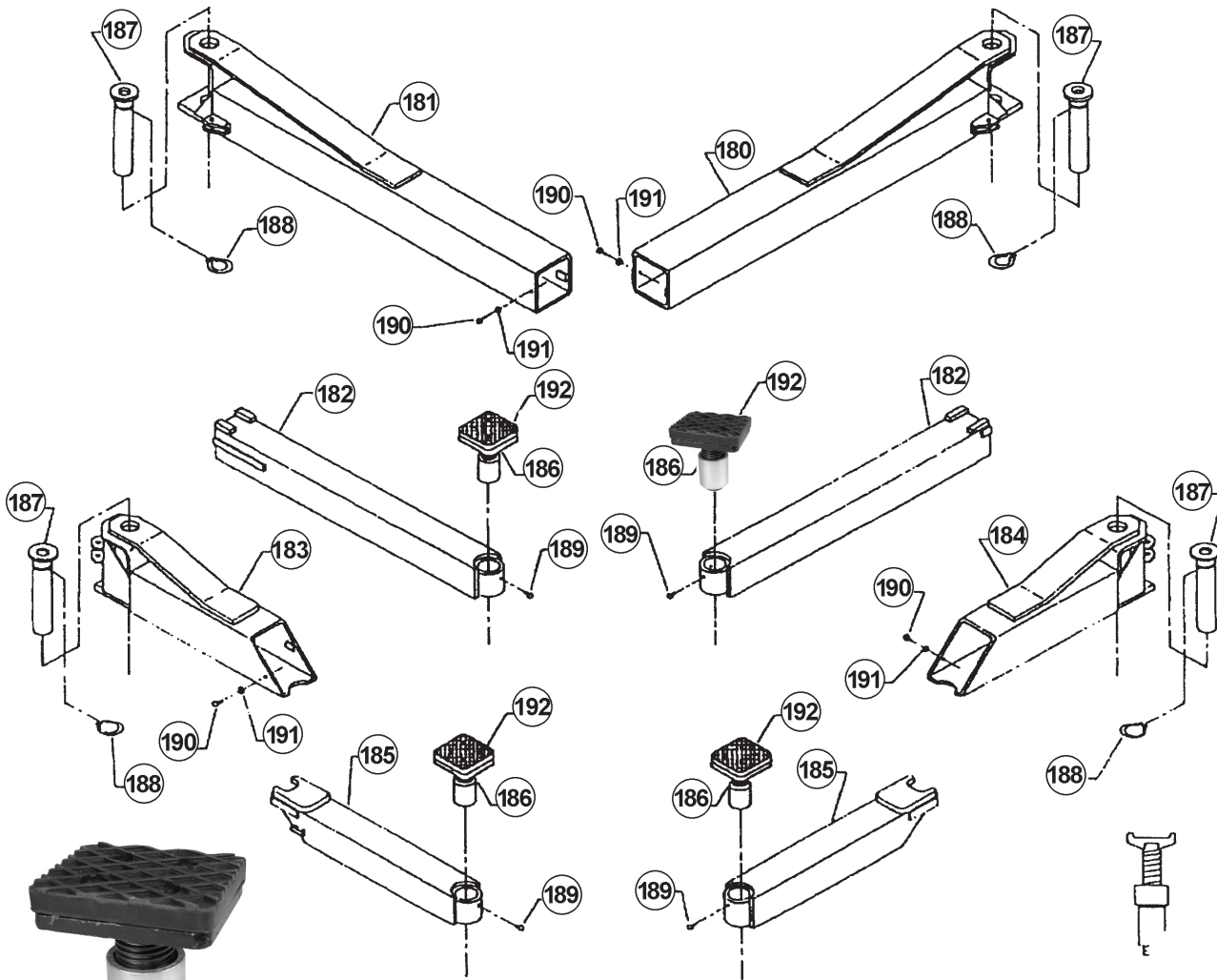




GPOA-7 / 7L / 7H

**DIRECTFIT™**  
SVI's DIRECT FIT™ BRAND

Arm Assembly

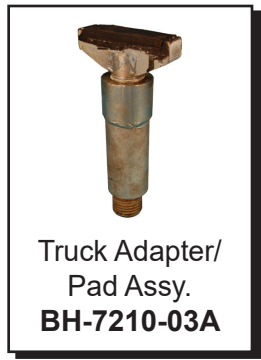


**186** BH-7209-99



**BH-7205**  
Rubber Pad

Item	SVI part #	OEM #	Description	7	7L	7H
180	BH-7208-63	300323-1	Rear Arm-LH	Ref.	Ref.	Ref.
181	BH-7208-60	300323-2	Rear Arm-RH	Ref.	Ref.	Ref.
182	BH-7207-45	300201-7	Rear Arm Ext.	Ref.	Ref.	Ref.
183	BH-7207-72	300566-1	Front Arm-LH	Ref.	Ref.	Ref.
184	BH-7207-73	300556-2	Front Arm-RH	Ref.	Ref.	Ref.
185	BH-7211-39	300915	Front Arm Ext.	Ref.	Ref.	Ref.
<b>186</b>	<b>BH-7209-99</b>	<b>100946</b>	<b>Adpt. Assy.-Lift</b>	<b>4</b>	<b>4</b>	<b>4</b>
--	BH-7209-99GMT-1	100946-x	Adapter and Pad Assy GM Trucks 2019+ (1) , 2" Collar			
--	BH-7209-99GMT-2	100946-xx	Adapter and Pad Assy GM Trucks 2019+ (2) , 2" Collar			
--	BH-7542-75P		Rubber Pad for GM Truck Adapters			
187	BH-7208-61	300566	Pin-Arm	Ref.	Ref.	Ref.
188	BH-7207-49	300218-13	Snap Ring	Ref.	Ref.	Ref.
189	F-HC-0312-18-0500	5/16"-18 x 1/2"	Hex Head Bolt	4	4	4
190	F-HC-0375-16-0500	3/8"-16 x 1/2"	Hex Head Bolt	4	4	4
191	F-FW-0375-SAE	3/8"	Flat Washer (1/32)	4	4	4
<b>192</b>	<b>BH-7205</b>	<b>100533</b>	<b>Rubber Pad</b>	<b>4</b>	<b>4</b>	<b>4</b>
---	BH-7210-03A	B100945	Trk. Adpt. Assembly	Ref.	Ref.	Ref.
---	BH-7210-03	B101005	Trk. Adpt. Assy. Set	Ref.	Ref.	Ref.

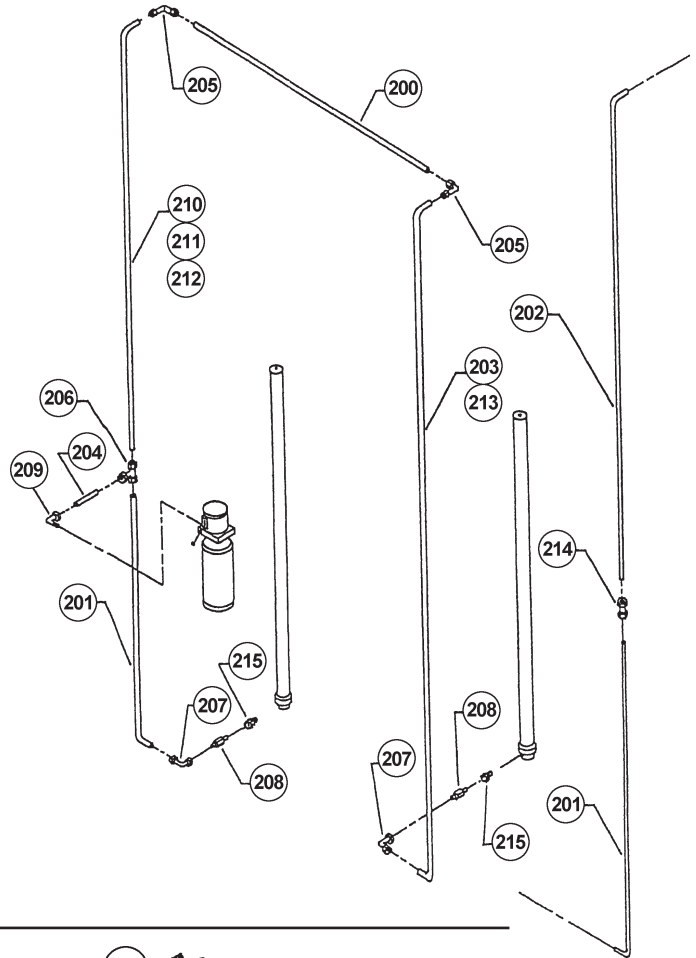


Truck Adapter/  
Pad Assy.  
**BH-7210-03A**

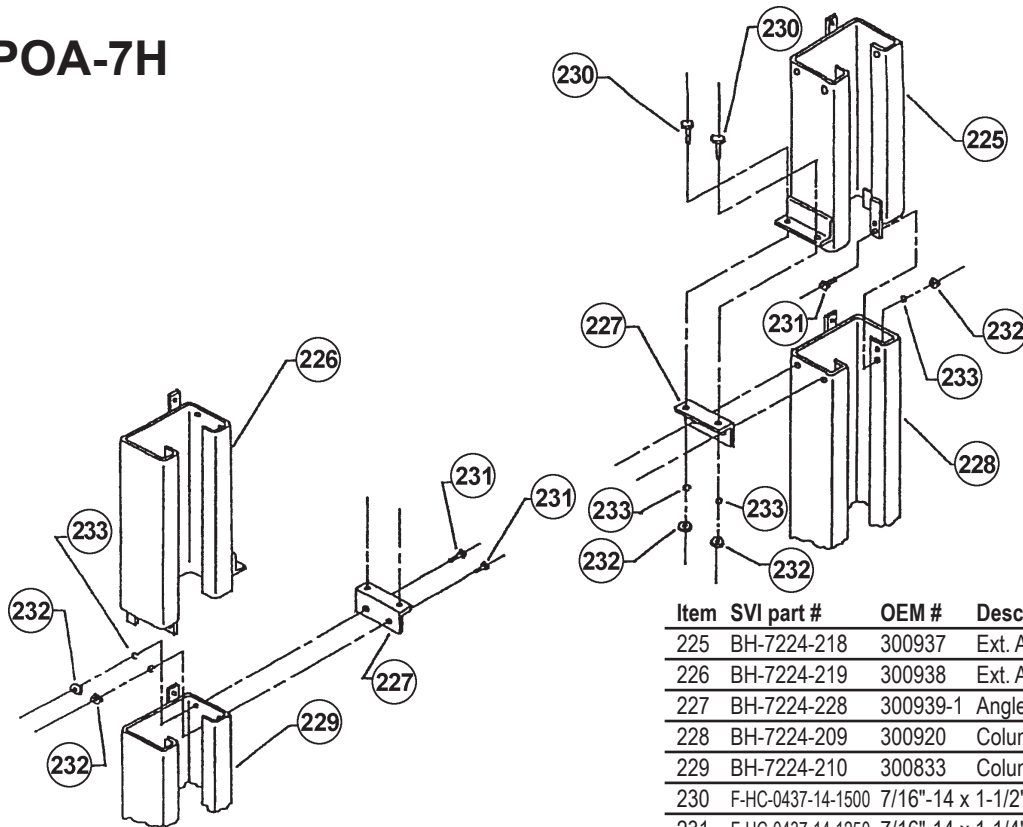
# GPOA-7 / 7L / 7H

**DIRECTFIT™**

Item	SVI part #	OEM #	Description	7	7L	7H
200	BH-7224-222	300958	Hyd. Line-OH Beam	1	1	1
201	BH-7211-33	300959	Hyd. Line-Pump to Hyd. Cyl.	1	1	2
202	BH-7211-20	300960-7	Hyd. Line-Pump to OH Beam	--	--	1
203	BH-7224-223	300961-1	Hyd. Line Cyl. to OH Beam	1	--	--
204	BH-7210-05	300957	Hyd. Line-Pump	1	1	1
205	BH-7211-38	300974	Elbow-Union	2	2	2
206	BH-7210-12	300965	Union Tee	1	1	1
207	BH-7207-60	300390	Elbow	2	2	2
208	BH-7210-89	500389	Nipple-Pipe	2	2	2
209	BH-7210-13	300624	Elbow	1	1	1
210	BH-7224-224	300960-1	Hyd. Line-Pump to OH Beam	1	--	--
211	BH-7224-225	300960-3	Hyd. Line-Pump to OH Beam	--	1	--
212	BH-7224-226	300960-5	Hyd. Line-Pump to OH Beam	--	--	1
213	BH-7224-227	300961-3	Hyd. Line-Hyd. to OH Beam	--	1	--
214	BH-7213-88	300968	Union	--	--	1
215	BH-7206-58	301166	Pipe Adpt.	2	2	2



# GPOA-7H

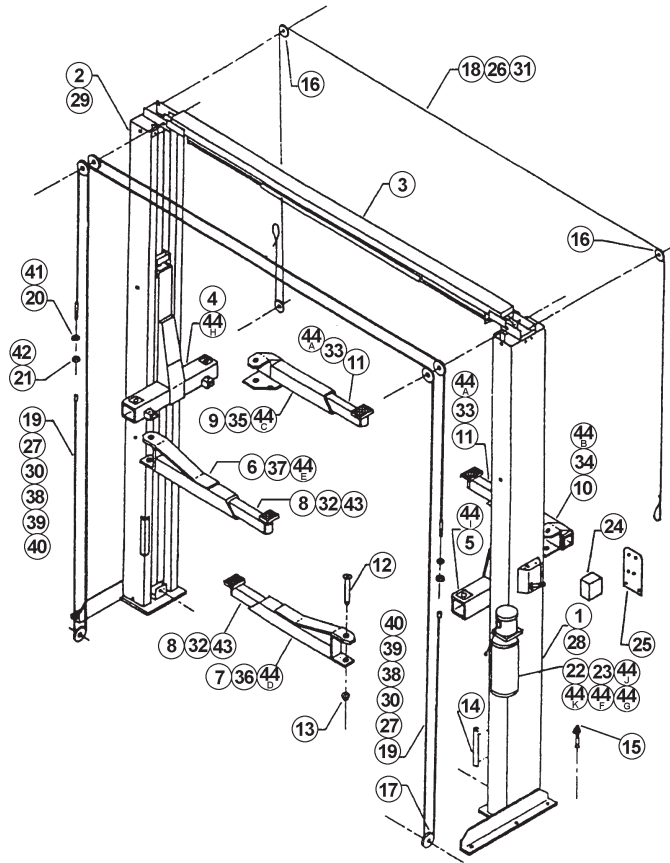


Item	SVI part #	OEM #	Description	7H
225	BH-7224-218	300937	Ext. Assembly-RH	Ref.
226	BH-7224-219	300938	Ext. Assembly-LH	Ref.
227	BH-7224-228	300939-1	Angle-Ext. Att.	2
228	BH-7224-209	300920	Column Assembly-RH	Ref.
229	BH-7224-210	300833	Column Assembly-LH	Ref.
230	F-HC-0437-14-1500	7/16"-14 x 1-1/2"	Hex Hd. Bolt	4
231	F-HC-0437-14-1250	7/16"-14 x 1-1/4"	Hex Hd. Bolt	8
232	F-HN-0437-14	7/16"-14	Hex Head Nut	12
233	F-LW-0437	7/16"	Split Lock Washer	12



# GPOA-8 / 8L / 8H, GPOA-9 / 9L / 9H, GPOA-10 / 10L / 10H

**DIRECTFIT™**



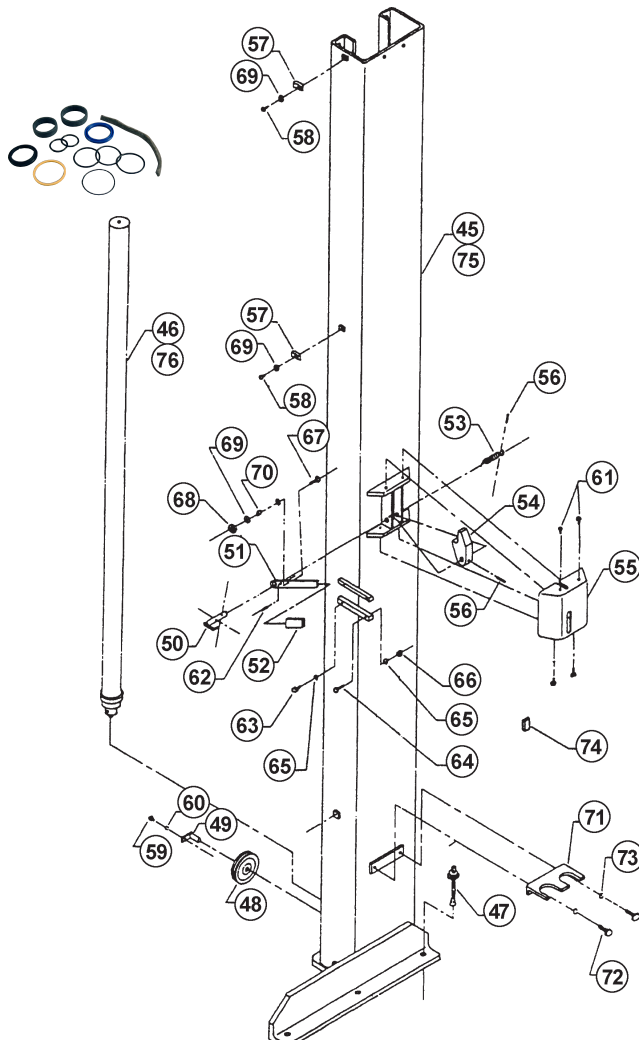
Item	SVI part #	OEM #	Description	9	9H	9L	8	8H	8L	10	10H	10L
1	call for details	300924	RH Column	1	1	--	1	1	--	1	1	--
2	call for details	300776	LH Column	1	1	--	1	1	--	1	1	--
3	BH-7209-55	300749	Overhead Beam	1	1	1	1	1	1	1	1	1
4	call for details	300810-1	Carriage-LH							1	1	1
5	call for details	300810-2	Carriage-RH							1	1	1
6	BH-7207-02	300418-3	Rear Arm LH	1	1	1						
7	BH-7206-73	300418-4	Rear Arm RH	1	1	1						
8	BH-7207-03	300426	Rear Arm Extension	2	2	2						
9	BH-7211-10	301101-2	Front Arm LH	1	1	1						
10	BH-7211-09	301101-1	Front Arm RH	1	1	1						
11	BH-7211-11	300428	Front Arm Extension	2	2	2						
12	<b>BH-7211-01</b>	300238	Pin Arm	4	4	4	4	4	4	4	4	4
13	BH-7211-02	300218-4	Snap Ring	4	4	4	4	4	4	4	4	4
14	BH-7202-70	300568	Bumper Door	2	2	2	2	2	2	2	2	2
15	BH-7224-131	500388	Anchor Bolt Assembly	8	8	8	8	8	8	8	8	8
16	<b>BH-7208-56</b>	300874	Pulley Lock Release	3	3	3	3	3	3	3	3	3
17	<b>BH-7202-007</b>	300731	Pulley	6	6	6	6	6	6	6	6	6
18	BH-7208-51	300849-5	Cable Assembly-Latch Rel. System	1			1			1		
19	BH-7208-73	300806-1	Cable Assy. Sync.	2						2		
20	F-HN-0625-18	5/8"-18 UNF	Hex Head Nut	2	2	2				2	2	2
21	F-JN-0625-18	5/8"-18 UNF	Hex Head Jam Nut	2	2	2				2	2	2
22	BH-7006-01	101098	Elec. Hyd. Pump (1PH)	1	1	1						
23	BH-7006-03	101099	Elec. Hyd. Pump (3PH)	1	1	1						
26	BH-7210-75	300849-7	Cable Assy.-Latch Rel. System		1			1			1	
27	BH-7208-74	300806-3	Cable Assembly-Synchronized		2						2	
28	call for details	300924-1	RH Column			1			1			1
29	call for details	300776-1	LH Column			1			1			1
30	BH-7208-75	300806-5	Cable Assembly-Synchronized			2						2
31	call for details	300849-11	Cable Assembly-Latch Rel. Sys.			1			1			1

Page 36



# GPOA-8 / 8L / 8H, GPOA-9 / 9L / 9H, GPOA-10 / 10L / 10H

Item	SVI part #	OEM #	Description	9	9H	9L	8	8H	8L	10	10H	10L
32	call for details	301006	Rear Arm Extension				2	2	2			
33	call for details	301010	Front Arm Extension				2	2	2			
34	call for details	301009-2	Front Arm-RH				1	1	1			
35	call for details	301009-1	Front Arm-LH				1	1	1			
36	call for details	301005-2	Rear Arm-RH				1	1	1			
37	call for details	301005-1	Rear Arm-LH				1	1	1			
38	BH-7208-70	300805-4	Cable Assy.-Synchronized				2					
39	BH-7208-72	300805-6	Cable Assy.-Synchronized					2				
40	BH-7208-71	300805-5	Cable Assy.-Synchronized						2			
41	F-HN-0500-20	1/2"-20 UNF	Hex Head Nut				2	2	2			
42	F-JN-0500-20	1/2"-20 UNF	Hex Head Jam Nut				2	2	2			
43	BH-7214-84	301008	Rear Arm Extension							2	2	2
44A	BH-7211-16	301012	Front Arm Extension							2	2	2
44B	call for details	301011-2	Front Arm-RH							1	1	1
44C	call for details	301011-1	Front Arm-LH							1	1	1
44D	BH-7211-92	301007-2	Rear Arm-RH							1	1	1
44E	BH-7211-91	301007-1	Rear Arm-LH							1	1	1
44F	BH-7006-01	101067	Elec. Hyd. Pump (1PH)				1	1	1			
44G	BH-7006-03	101068	Elec. Hyd. Pump (3PH)				1	1	1			
44H	BH-7211-54	301097-1	LH Carriage	1	1	1	1	1	1			
44I	BH-7211-52	301097-2	RH Carriage	1	1	1	1	1	1			
44J	BH-7006-01	101105	Elec. Hyd. Pump (1PH)							1	1	1
44K	BH-7006-03	101106	Elec. Hyd. Pump (3PH)							1	1	1



Item	SVI part #	OEM #	Description	8, 8H, 9H	8L
				9, 10, 10H	9L, 10L
45	call for details	300924	RH Column	Ref.	--
46	BH-7208-96	301061	Hyd. Cylinder	1	--
	BH-7211-81		Seal Kit		
47	BH-7224-131	500388	Anchor Bolt Assy.	Ref.	Ref.
48	<b>BH-7202-007</b>	<b>300731</b>	<b>Pulley</b>	<b>Ref.</b>	<b>Ref.</b>
49	BH-7209-88	300835	Axle Lower Pulley	1	1
50	BH-7208-43	300840	Rel. Assy. Latch	1	1
51	BH-7208-55	300843	Handle Latch Act.	1	1
52	BH-7224-215	300944	Cover Handle	1	1
53	BH-7202-93	300269	Spring Safety Lock	1	1
54	BH-7211-12	300807	Latch	1	1
55	BH-7208-52	300912	Cover RH Column	1	1
56	F-RP-156-1500	5/32"x1-1/2"	Roll Pin	2	2
57	BH-7211-32	300947	Clamp-Cable	3	3
58	F-MS-0010-24-0312	10-24x5/16"	Phil. Panhd. Screw	3	3
59	F-HC-0250-20-0375	1/4"-20x3/8"	Hex Head Bolt	1	1
60	F-LW-0250	1/4"	Split Lock Washer	1	1
61	F-MS-0010-24-0500	10-24x1/2"	Phil. Panhd. Screw	4	4
62	F-RP-0187	3/16"x1/2"	Roll Pin	1	1
63	F-HC-0312-18-0625	5/16"-18x5/8"	Hex Head Bolt	2	2
64	F-HC-0312-18-1000	5/16"-18x1"	Hex Head Bolt	2	2
65	F-LW_0312	5/16"	Split Lock Washer	4	4
66	F-HN-0312-18	5/16"-18	Hex Head Nut	2	2
67	F-HC-0010-24-1000	10-24x1"	Hex Head Bolt	1	1
68	F-LN-0010-24	10-24	Hex Head Lock Nut	1	1
69	F-FW-0187	3/16"	Flat Washer (USS or SAE)	5	5
70	BH-7210-73	300844	Spacer Cable Conn.	1	1
71	BH-7210-83	300878-3	Brkt.-Trk. Adpt *	1	1
72	F-HC-0250-20-0375	1/4-20x3/8"	Hex Head Bolt *	2	2
73	F-LW-0250	1/4"	Split Lock Washer *	2	2
74	BH-7224-217	301013	Strip-Polyurethane	1	1
75	call for details	300924-1	RH Column	--	Ref.
76	BH-7208-96	301061	Hyd. Cylinder	--	1



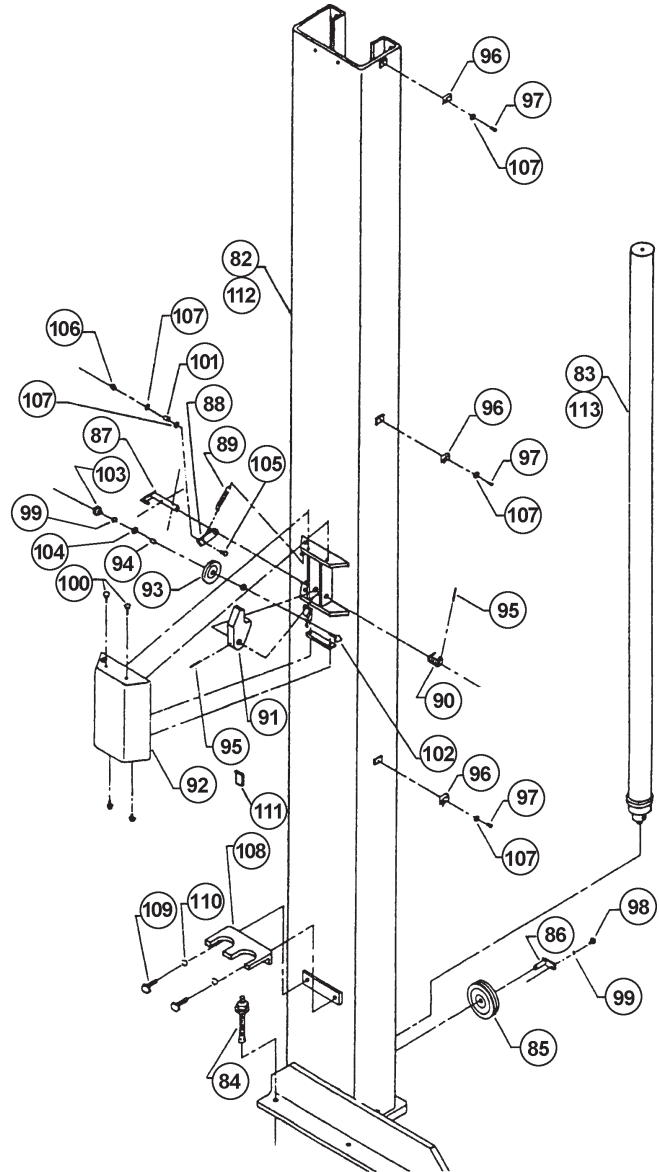
# GPOA-8 / 8L / 8H, GPOA-9 / 9L / 9H, GPOA-10 / 10L / 10H

(12' 2-3/8") (11' 6") (14' 2")

**DIRECTFIT™**

Item	SVI part #	OEM #	Description	8, 8H, 9H	8L
				9, 10, 10 H	9L, 10L
82	call for details	300776	LH Column	Ref.	--
83	BH-7208-96	301061	Hyd. Cylinder	1	--
	<b>BH-7211-81</b>	<b>501-50-1770</b>	<b>Seal Kit for Holmac Cyl</b>		
84	BH-7224-131	500388	Anchor Bolt Assy.	Ref.	Ref.
<b>85</b>	<b>BH-7202-007</b>	<b>300731</b>	<b>Pulley</b>	<b>Ref.</b>	<b>Ref.</b>
86	BH-7209-88	300835	Axle Lower Pulley	1	1
87	BH-7208-43	300840	Rel. Assy. Latch	1	1
88	BH-7210-72	300842	Lever Latch Actuator	1	1
<b>89</b>	<b>BH-7213-87</b>	<b>300873</b>	<b>Spring Lock Release</b>	<b>1</b>	<b>1</b>
90	BH-7202-93	300269	Spring Safety Lock	1	1
91	BH-7211-12	300807	Latch	1	1
92	BH-7210-90	300913	Cover LH Column	1	1
93	BH-7208-56	300874	Pulley Lock Release	Ref.	Ref.
94	BH-7208-57	300875	Steel Insert Pulley	1	1
95	F-RP-156-1500	5/32"x1-1/2"	Roll Pin	2	2
96	BH-7211-32	300947	Clamp Cable	3	3
97	F-MS-0010-24-031210-24x5/16"		Phil. Panhd. Screw	3	3
98	F-HC-0250-20-0375 1/4"-20x3/8"		Hex Head Bolt	1	1
99	F-LW-0250	1/4"	Split Lock Washer	2	2
100	F-MS-0010-24-050010-24x1/2"		Phil. Panhd. Screw	4	4
101	BH-7210-73	300844	Spacer-Cable Conn.	1	1
102	F-HC-0250-20-1250 1/4"-20x1-1/4"		Hex Head Bolt (Gr. 5)	1	1
103	F-HN-0250-20	1/4"-20	Hex Head Nut	1	1
104	F-FW-0250-USS	1/4"	Flat Washer (USS)	2	2
105	F-HC-0010-24-100010-24x1"		Hex Head Bolt	1	1
106	F-LN-0010-24	10-24	Hex Head Lock Nut	1	1
107	F-FW-0187	3/16"	Flat Washer (USS or SAE)	5	5
108	BH-7210-83	300878-3	Bracket-Trk. Adapter *	1	1
109	F-HC-0250-20-0375 1/4"-20x3/8"		Hex Head Bolt *	2	2
110	F-LW-0250	1/4"	Split Lock Washer *	2	2
111	BH-7224-217	301013	Poly. Strip	1	1
112	call for details	300776-1	LH Column	--	Ref.
113	BH-7208-96	301061	Hyd. Cylinder	--	1

\* Optional



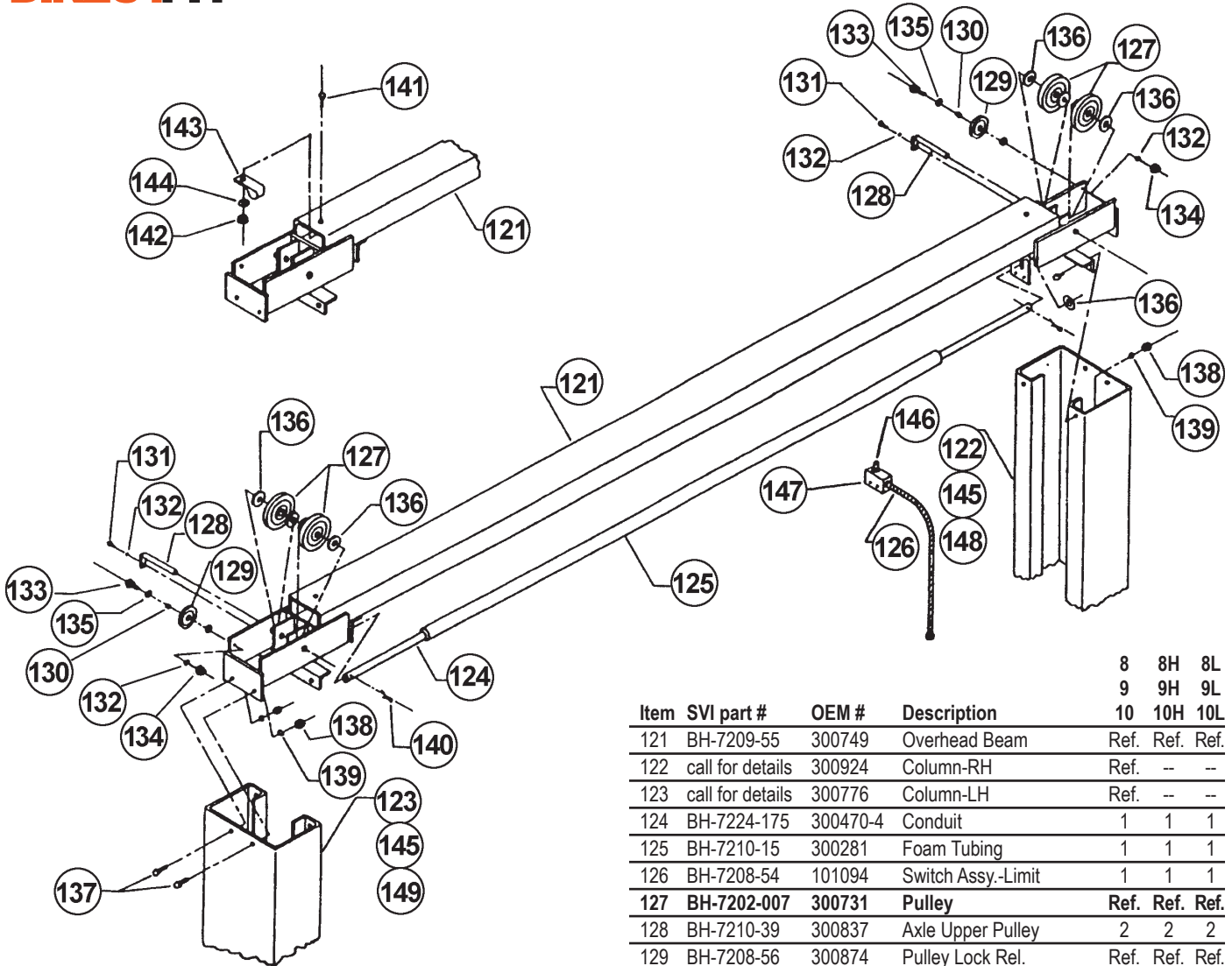
**BH-7211-81** (Ref 501-50-1770)  
Seal Kit for Holmac Cylinder



**BH-7213-87**  
(Ref 300873)  
Spring,  
Lock Release

# GPOA-8 / 8L / 8H, GPOA-9 / 9L / 9H, GPOA-10 / 10L / 10H

**DIRECTFIT™**



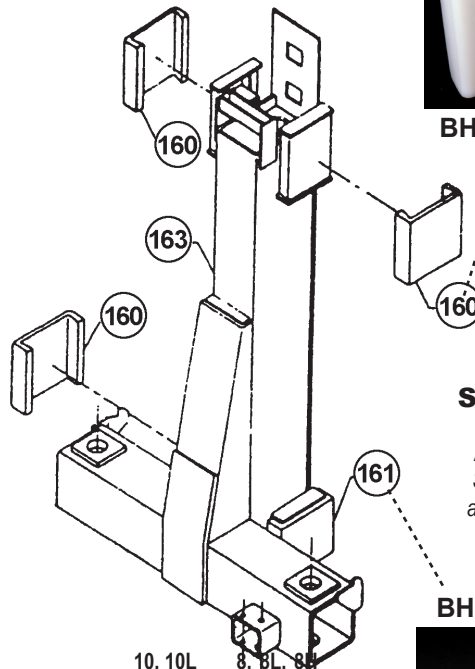
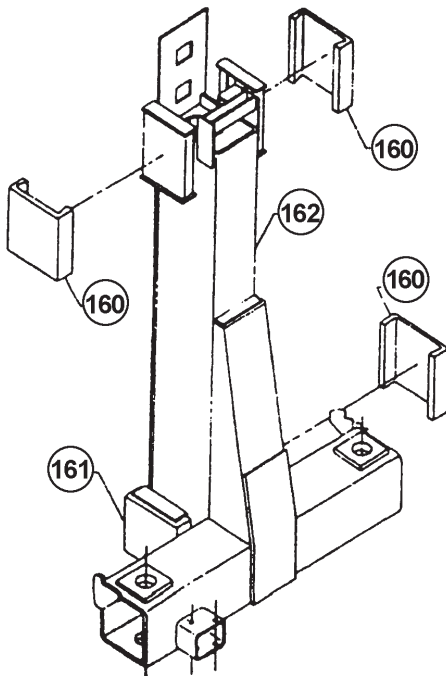
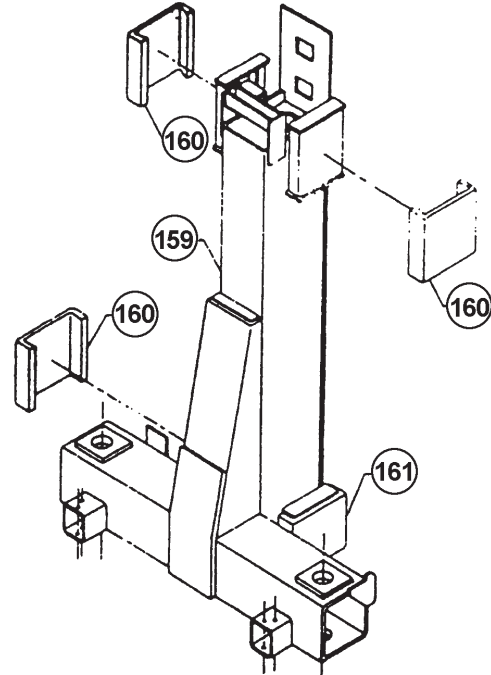
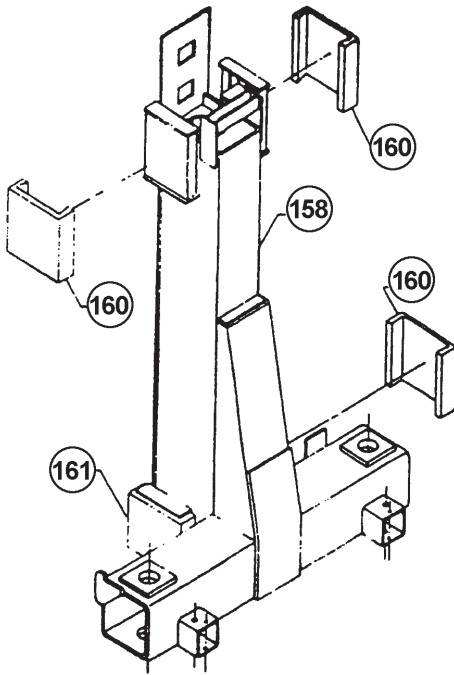
**BH-7206-56** / (Ref 300976)  
 Beam Assembly  
 Lug Support Low for GPOA

Item	SVI part #	OEM #	Description	8	8H	8L	9	9H	9L	10	10H	10L
121	BH-7209-55	300749	Overhead Beam	Ref.	Ref.	Ref.						
122	call for details	300924	Column-RH	Ref.	--	--						
123	call for details	300776	Column-LH	Ref.	--	--						
124	BH-7224-175	300470-4	Conduit	1	1	1						
125	BH-7210-15	300281	Foam Tubing	1	1	1						
126	BH-7208-54	101094	Switch Assy.-Limit	1	1	1						
127	<b>BH-7202-007</b>	<b>300731</b>	<b>Pulley</b>	Ref.	Ref.	Ref.						
128	BH-7210-39	300837	Axle Upper Pulley	2	2	2						
129	BH-7208-56	300874	Pulley Lock Rel.	Ref.	Ref.	Ref.						
130	BH-7208-57	300875	Steel Insert Pulley	2	2	2						
131	F-HC-0250-20-0375	1/4"-20x3/8"	Hex Head Bolt	2	2	2						
132	F-LW-0250	1/4"	Split Lock Washer	4	4	4						
133	F-HC-0250-20-1250	1/4"-20x1-1/4"	Hex Head Bolt (Gr. 5)	2	2	2						
134	F-HN-0250-20	1/4"-20	Hex Head Nut	2	2	2						
135	F-FW-0250-USS	1/4"	Flat Washer (USS)	4	4	4						
136	F-FW-0750-SAE	3/4"	Flat Washer (SAE) 9/64	9	9	9						
137	F-HC-0437-14-1250	7/16"-14x1-1/4"	Hex Head Bolt	8	8	8						
138	F-HN-0437-14	7/16"-14	Hex Head Nut	8	8	8						
139	F-LW-0437	7/16"	Split Lock Washer	8	8	8						
140	F-CP-125-1000	1/8"x1"	Cotter Pin	2	2	2						
141	F-HC-0010-24-1000	10-24x1"	Hex Head Bolt	2	2	2						
142	F-HN-0010-24	10-24	Hex Head Nut	2	2	2						
143	BH-7211-32	300947	Cable Clamp	2	2	2						
144	F-FW-0187	3/16"	Flat Washer (USS or SAE)	2	2	2						
145	BH-7210-80	300868	Ext. Assy.-Column	--	2	--						
146	BH-7209-54	300282	Micro-Switch	1	1	1						
147	BH-7209-87	300283	Enclosure Switch	1	1	1						
148	call for details	300924-1	RH Column	--	--	Ref.						
149	call for details	300776-1	LH Column	--	--	Ref.						



GPOA-8 / 8L / 8H, GPOA-9 / 9L / 9H, GPOA-10 / 10L / 10H

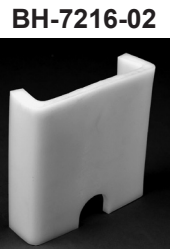
DIRECTFIT™



BH-7216-01

**Slider Block Kits Now Available!**

See BH-7216-03 and BH-7216-03K



BH-7216-02

Item	SVI part #	OEM #	Description	10, 10L	8, 8L, 8H
158	call for details	300810-1	Carriage LH	Ref.	--
159	call for details	300810-2	Carriage RH	Ref.	--
160	BH-7216-01	300866	Slider Block w/o Notch	6	6
161	BH-7216-02	300867	Slider Block w/ Notch	2	2
--	BH-7216-03	SVI Exclusive	Slider Block Kit 1 Column GPOA-8, 9 & 10		
--	BH-7216-03K	SVI Exclusive	Slider Block Kit 2 Columns GPOA-8, 9 & 10		
162	BH-7211-54	301097-1	Carriage LH	--	Ref.
163	BH-7211-52	301097-2	Carriage RH	--	Ref.



# GPOA-8 / 8L / 8H, GPOA-9 / 9L / 9H, GPOA-10 / 10L / 10H

**DIRECTFIT™**

## Arm Restraint Kits



**BH-7207-09**  
GPOA-10 • RF/LF



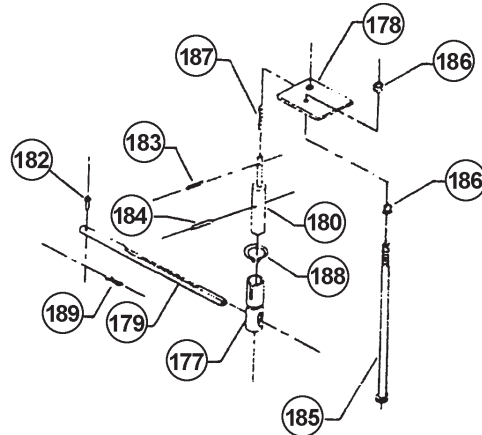
**BH-7207-08**  
GPOA-10 • LR/RR



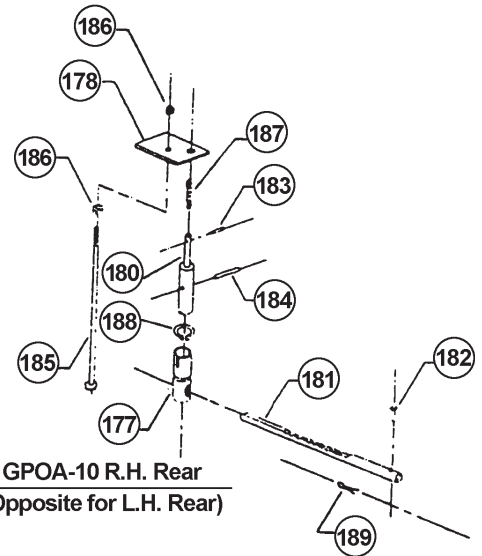
**BH-7207-10**  
GPOA8/9 • LR/RR Kit



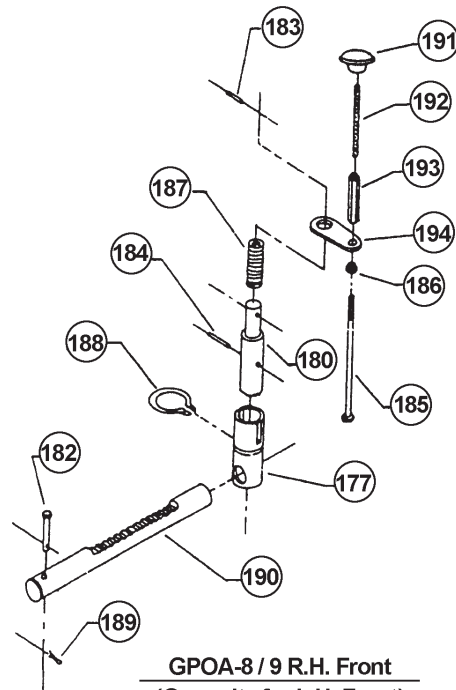
**BH-7207-11**  
GPOA8/9 • RF/LF Kit



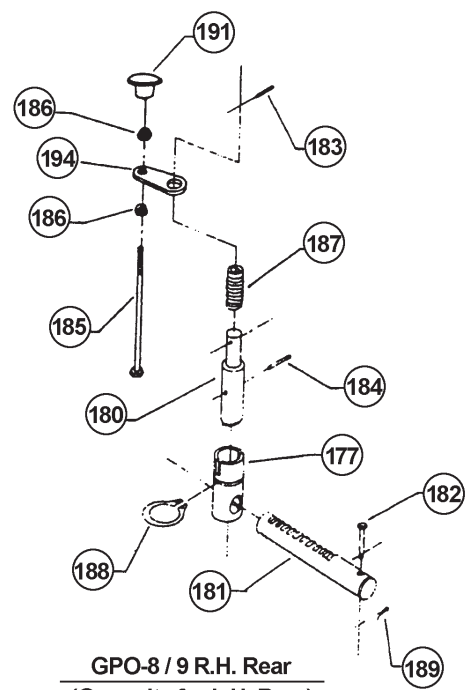
GPOA-10 R.H. Front  
(Opposite for L.H. Front)



GPOA-10 R.H. Rear  
(Opposite for L.H. Rear)



GPOA-8 / 9 R.H. Front  
(Opposite for L.H. Front)



GPOA-8 / 9 R.H. Rear  
(Opposite for L.H. Rear)

Item	SVI part #	OEM #	Description	10	8, 9
177	BH-7208-01	300214	Supt. Tube Lock Bar	4	4
178	BH-7206-51	300215	Link Arm Restraint	4	--
179	BH-7208-23	300216-7	Rest. Bar Front Arm 10"	2	--
180	BH-7208-02	300217	Restraint Pin Arm	4	4
181	BH-7208-28	300216-5	Rest. Bar Rear Arm 9.5"	2	2
182	BH-7208-06	300136	Clevis Pin	4	4
183	F-RP-125-0750	1/8"x3/4"	Roll Pin	4	4
184	F-RP-187-1125	3/16"x1-1/8"	Roll Pin	4	4
185	F-HC-0375-16-5500	3/8"-16x5-1/2"	Hex Head Bolt	4	4

Item	SVI part #	OEM #	Description	10	8, 9
186	F-LN-0375-16	3/8"-16	Nylon Lock Nut	8	6
187	BH-7208-08	300222	Spring Arm Lock	4	4
188	F-RR-5100-1000	300218-2	Snap Ring	4	4
189	F-CP-125-1000	1/8"x1"	Cotter Pin	4	4
190	BH-7208-58	300216-9	Arm Restraint Bar	--	2
191	BH-7208-36	300284	Arm Lock Rel. Knob	--	4
192	BH-7208-33	300271	Arm Release Rod	--	2
193	BH-7208-35	300573	Coupling Nut	--	2
194	BH-7208-67	301076	Arm Restraint Rel. Bar	--	4





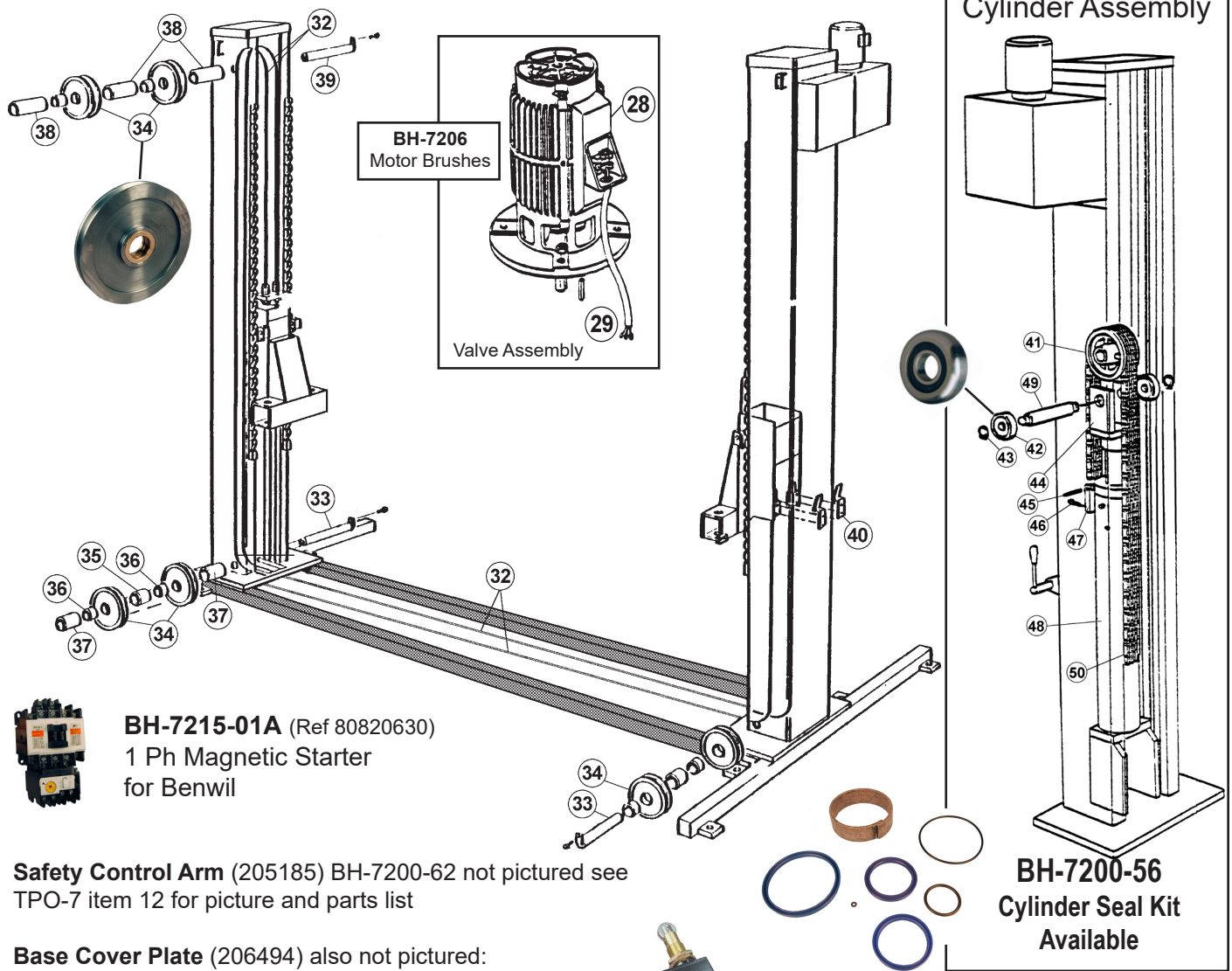
# TP-7 and TP-55 Lifts

## Cables, Pulleys + Motor and Valve Parts

**DIRECTFIT™**  
SVI's DIRECT FIT™ BRAND

Item	SVI part #	OEM # 6-Digit	OEM # 8-Digit	Description
28	BH-7200-76	206496		Single Phase Motor
	BH-7206			Motor Brushes (for 1PH only)
28	BH-7200-76T	206497		Three Phase Motor
29	BH-7200-77	100030	00052612	Release Valve
31	BH-7207-16	205337	10163981	Adjusting Nut, 1 set of 2
32	<b>BH-7200-03</b>	206572	50573982	Cable for TP-7, 27' 8"
32	<b>BH-7200-07</b>	205220	50563981	Cable for TP-55, 26' 4"
(2) cables are required for each TP-7 and TP-55 lift				
Nuts only available when you buy new cable & nut together, the nut won't fit the original cable				
33	BH-7204-019	205219	00044432	Sheave Shaft (Bottom)
34	<b>BH-7204-015</b>	<b>205216</b>	<b>10161492</b>	<b>Cable Sheave</b>
35	BH-7204-017	205218	10161501	Cable Sheave Spacer
36	BH-7204-016	205215	80841346	Oilite Bearing
37	BH-7204-017A	205233	10161512	Sub Sheave Spacer

Item	SVI part #	OEM # 6-Digit	OEM # 8-Digit	Description
38	BH-7204-014	205214	10191521	Cable Sheave Spacer
	BH-7215-01		80820730	Microswitch
39	BH-7204-018	205217	00044442	Sheave Shaft (Top)
40	BH-7204-021	205221	50560391	Spring
41	BH-7200-79	205195	10161202	Chain Wheel
42	<b>BH-7606-21</b>	205155	00043161	Roller Assembly
43	F-RR-1500	205198	80845022	Snap Ring
44	BH-7200-80	205201	00043381	Chain Bracket/Yoke
45	BH-7209-50	205199	80839700	Chain Fitting Pin
46	BH-7200-78	205339	90921235	Socket Head Cap Bolt
47	BH-7209-49	205340	10166301	Chain Fitting Plate
48	no longer avail.	205202	00044302	Cylinder Assembly
48	BH-7200-56	205203	00043341	Cylinder Seal Kit
49	no longer avail.	205661	00056431	Chain Wheel Shaft
50	BH-7032	205200	80837049	Leaf Chain 49 Pitches



**BH-7215-01A** (Ref 80820630)  
1 Ph Magnetic Starter  
for Benwil

**Safety Control Arm** (205185) BH-7200-62 not pictured see TPO-7 item 12 for picture and parts list

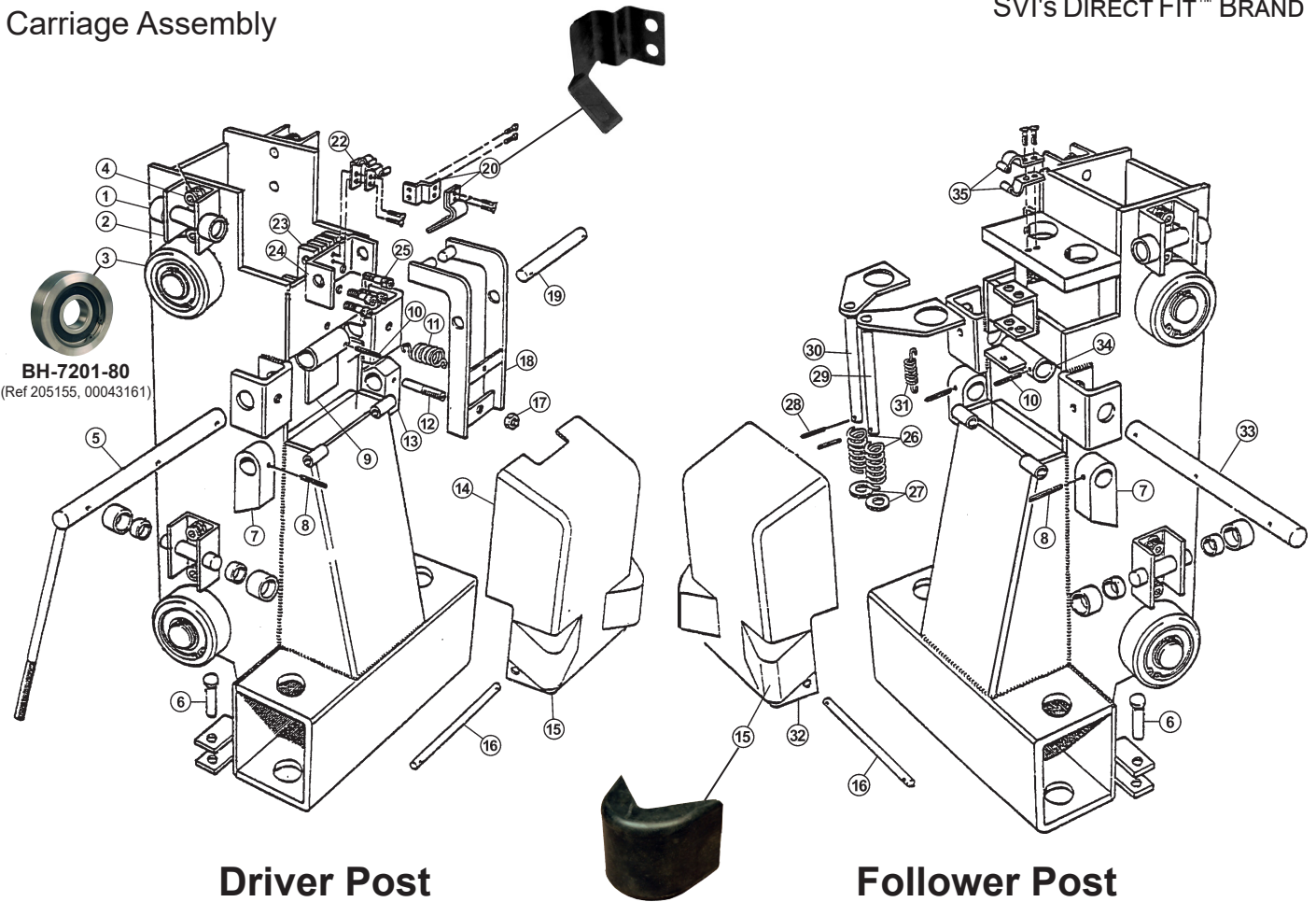
**Base Cover Plate** (206494) also not pictured:  
Order BH-7204-012

◀ **BH-7215-01** Microswitch is available!

# TP-7 and TP-55

## Carriage Assembly

**DIRECTFIT™**  
SVI's DIRECT FIT™ BRAND



**Driver Post**

**Follower Post**

Item	SVI part #	OEM # 6-Digit	OEM # 8-Digit	Description
1	BH-7200-25	205158	00043181	Side Roller Assembly
2	BH-7200-26	206563	00046171	Side Roller Bracket
3	BH-7201-80	205155	00043161	Roller Assembly
4	BH-7200-49	205322	90921220	Socket Head Cap Bolt
5	BH-7204-025*	205159	00045141	Complete Safety Assembly
6	BH-7201-67	205154	10164401	Lock Fitting Pin
7	BH-7204-025*	205153	00045141	Complete Safety Assembly
8	F-RP-125-1125	205323	90980530	Roll Pin
9	BH-7200-46	205147		Shaft Lever
10	F-RP-125-1500	205326	90980535	Roll Pin
11	BH-7209-23	205145	50560801	Spring (Driver Post)
12	BH-7209-22	206565	10160861	Safety Bolt
13	BH-7204-025*	205148	00045141	Complete Safety Assembly
14	BH-7209-18	205150	00043481	Cover (Driver Post)
15	BH-7204-051	205151	50561701	Rubber Door Bumper
16	BH-7215-07	205152	10191751	Hinge Pin
17	F-HN-0250-11	205149	90930010	Hex Nut

Item	SVI part #	OEM # 6-Digit	OEM # 8-Digit	Description
18	BH-7209-21	205144	00043251	Safety Arm
19	BH-7209-27	205143	10160851	Safety Shaft
20	BH-7214-01	205141	50560952	Return Spring (1 Piece)
22	BH-7200-35	205140	50561722	Cover Spring
23	BH-7209-49	205340	10166301	Chain Fitting Plate
24	BH-7209-24	205341	10160441	Safety Bracket
25	BH-7200-78	205339	90921235	Socket Head Cap Bolt
26	BH-7209-32	205165	50560902	Opposite Post Safety Spring
27	F-FW-0500-SAE	205164	90930712	Flat Washer
28	F-RP-125-0750	205342	90980420	Roll Pin
29	BH-7209-31	205167	00067560	Right Safety Arm
30	BH-7209-29	205168	00067580	Left Safety Arm
31	BH-7209-30	205166	50560911	Hook Return Spring
32	BH-7209-19	205163	00043492	Opposite Post Cover
33	BH-7204-026**	205162	00043202	Hook Shaft with Lever
34	BH-7204-026**	205169		Shaft Lever with Shaft
35	BH-7209-25	205161	50561712	Cover Spring

\* and \*\* Available only as a complete assembly



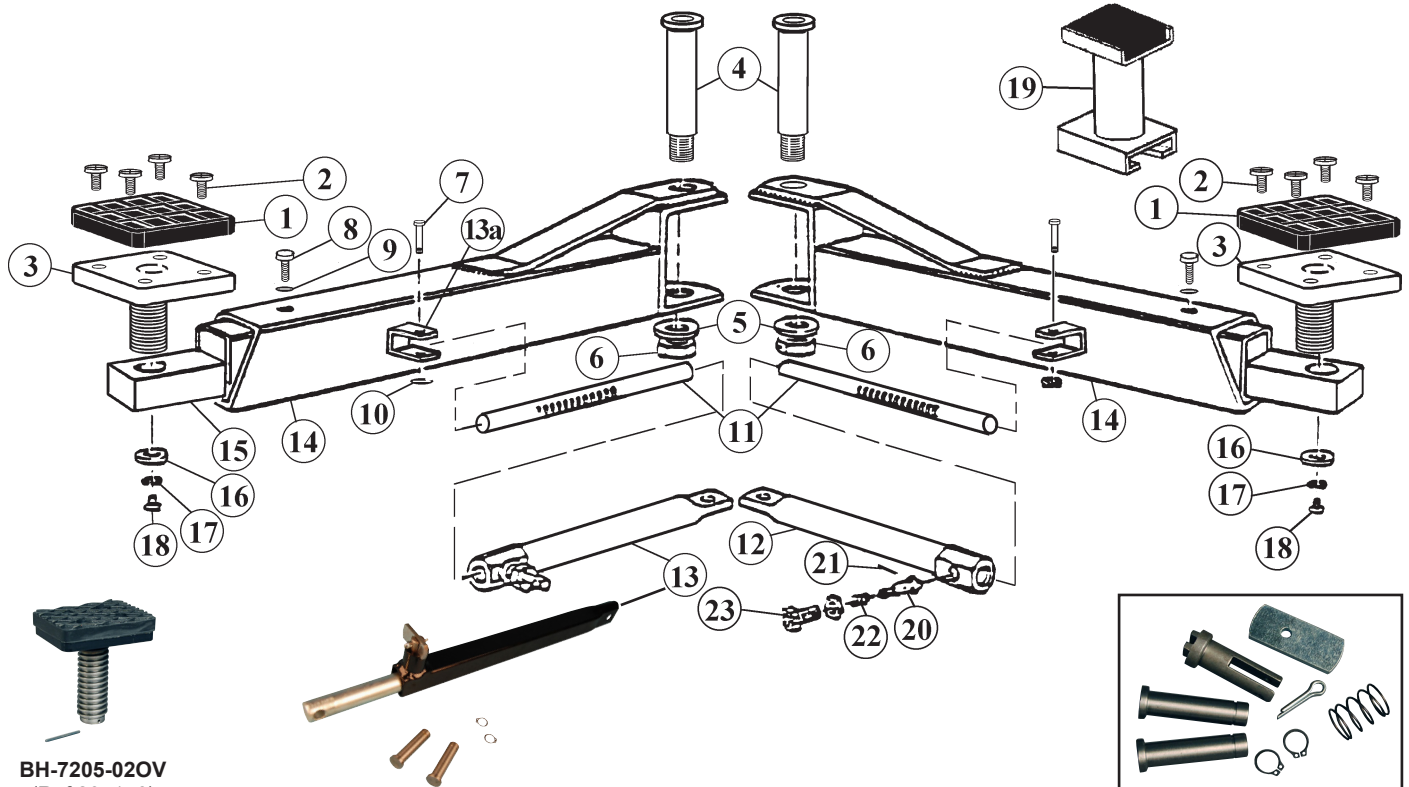
# TP-7, TPO-7, TP-55 and TPO-55

## Lift Arms and Accessories

**DIRECTFIT™**  
SVI's DIRECT FIT™ BRAND



**BH-7205 Rubber Pad (1)**  
For kit, order BH-7205-4



**BH-7205-02OV**  
(Ref 205176)

Item	SVI part #	OEM # 6-Digit	OEM # 8-Digit	Description
1	BH-7205	205175	50564212	Rubber Arm Pad
2	BH-7205-01	205174	90940812	Round Head Screw
3	BH-7205-02OV	205176	00043871	Steel Support with Pad This is original version that came with Original Arms
	BH-7205-02	205176	00043871	Steel Support with Pad This is SVI version, goes with #15, for SVI arms only
4	BH-7204-002	205170	00044931	Lift Arm Pin
5	BH-7204-052	205222	90930730	Washer
6	BH-7204-006	205223	10164531	Arm Pin Nut
7	BH-7201-67	205154	10164401	Arm Lock Fitting Pin
8	BH-7204-053	205172	90911015	Hex Bolt
9	BH-7203-343	205173	90930510	Lock Washer
10	BH-7204-054	205181	80845001	Snap Ring
11	BH-7200-10	205182	10164391	Inner Bar - Restraint
12	BH-7200-11	205737	00043902	Outer Pipe - Restraint
13	BH-7200-10A		00043882	Complete Arm Rest. 12-5/8" Long
13a	BH-7200-10B			Arm Restraint Mount Bracket
14	not available	205733	00045762	Lift Arm (Right Hand)
	BH-7204-008S	205305		Arm (Right - Short) TP-55
	BH-7204-008L	205303		Arm (Right - Long) TP-55
	not available	205734	00045772	Lift Arm (Left Hand)
	BH-7204-009S	205304		Arm (Left - Short) TP-55
	BH-7204-009L	205171		Arm (Left - Long) TP-55

Item	SVI part #	OEM # 6-Digit	OEM # 8-Digit	Description
15	BH-7204-007	205735	00045841	Inner Slide Arm (TP(O)-7)
	BH-7204-007S	205180	00045821	Slide Arm (TP-55)
14/15	BH-7204-010	204049	00045722	Swing Arm Assembly (Right)
14/15	BH-7204-011	205125	00045732	Swing Arm Assembly (Left)
16	BH-7204-003	205177	10164231	Screw Stopped
17	BH-7204-004	205178	90930906	Serrated Washer
18	BH-7204-005	205179	90950615	Screw
19	BH-7200-12			5-1/2" Height Extension
	BH-7200-12L			9" Slip-On Height Ext.
20	BH-7201-69	205383	10164363	Lock Pin (Ref Style)
21	BH-7201-72	205385	90980420	Roll Pin (Ref Style)
22	BH-7201-70	205382	50564342	Lock Spring (Ref Style)
23	BH-7201-73	205379	10184342	Lock Handle (Ref Style)

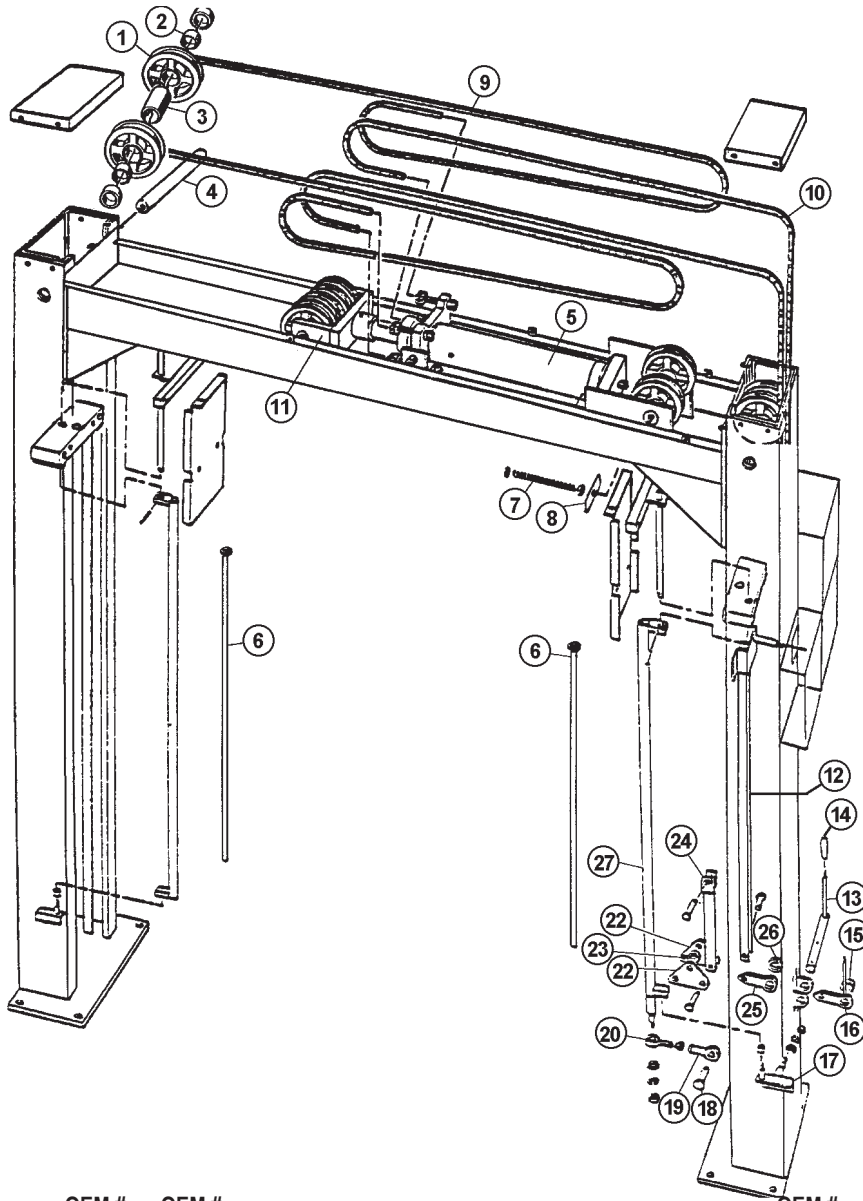
**Please Note:** Items 11-12, 20-23 are replacement parts for OEM style arm restraints. The BH-7200-10A replacement arm restraint is a complete, American-made arm restraint which directly replaces the OEM 00043882 arm restraint for TP-7, TPO-7, TP-55, TPO-55 models.



# TPO-7 and TPO-55 Lifts

Controls, Chain Assemblies and Cylinder Assembly

**DIRECTFIT™**  
SVI's DIRECT FIT™ BRAND



**BH-7200-56**  
**Cylinder Seal Kit**

Item	SVI part #	OEM # 6-Digit	OEM # 8-Digit	Description
1	BH-7200-50	205657	10151201	Chain Wheel
2	BH-7200-51	205196	80841347	Metal Spacer
3	BH-7204-014	205214	10161521	Spacer C
4	BH-7200-52	205682	00056431	Axle (Driver Post)
4	BH-7200-53	205683	00056441	Axle (Follower Post)
4	BH-7200-54	205661	10182361	Axle (Cylinder Yoke)
5	BH-7200-55	205671	00055731	Cylinder
5	<b>BH-7200-56</b>	205203	00043341	Cylinder Seal Kit
6	BH-7200-83	205699	00052501	Safety Bar
7	BH-7200-57	205687	50550952	Return Spring
8	BH-7200-58	205688	10182651	Spring Stopper
9	BH-7032	205676	80835427	Leaf Chain
10	BH-7032	205677	80835273	Leaf Chain
11	BH-7200-61	205663	00052791	Chain Bracket/Yoke
12	BH-7204-030	205185	00044421	Control Arm

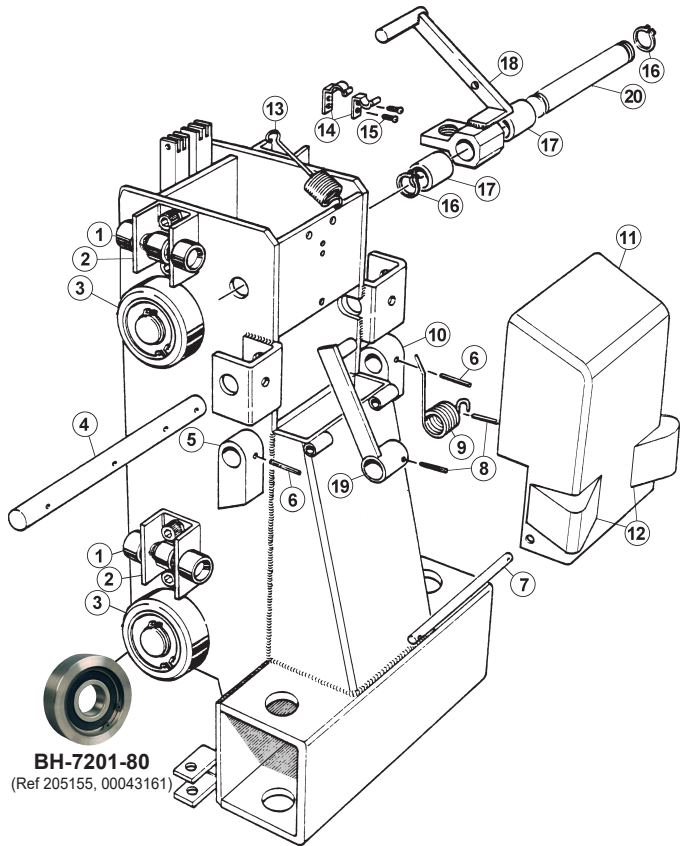
Item	SVI part #	OEM # 6-Digit	OEM # 8-Digit	Description
13	BH-7200-63	205189	00043501	Control Lever
14	BH-7203-116	205190	50561801	Grip
15	BH-7200-64	205711	10181011	Crank Collar
16	BH-7200-65	205732	00052303	Lock Control Handle
17	BH-7200-66	205709		Driver Crank Support
18	BH-7200-67	205706	10181051	Crank Pin
19	BH-7200-68	205707	50581241	Rod End Pin Holder
20	BH-7200-69	205708	50581231	Rod End Pin Holder
22	BH-7200-71	205704	10181061	Crank
23	BH-7200-72	205705	10181071	Crank Collar
24	BH-7200-73	205702	00052312	Crank Rod
25	BH-7200-74	205187	10161852	Control Lever
26	BH-7200-75	206571	10161831	Collar
27	BH-7200-70	205700	00053341	Driver Crank

P  
a  
g  
e  
46

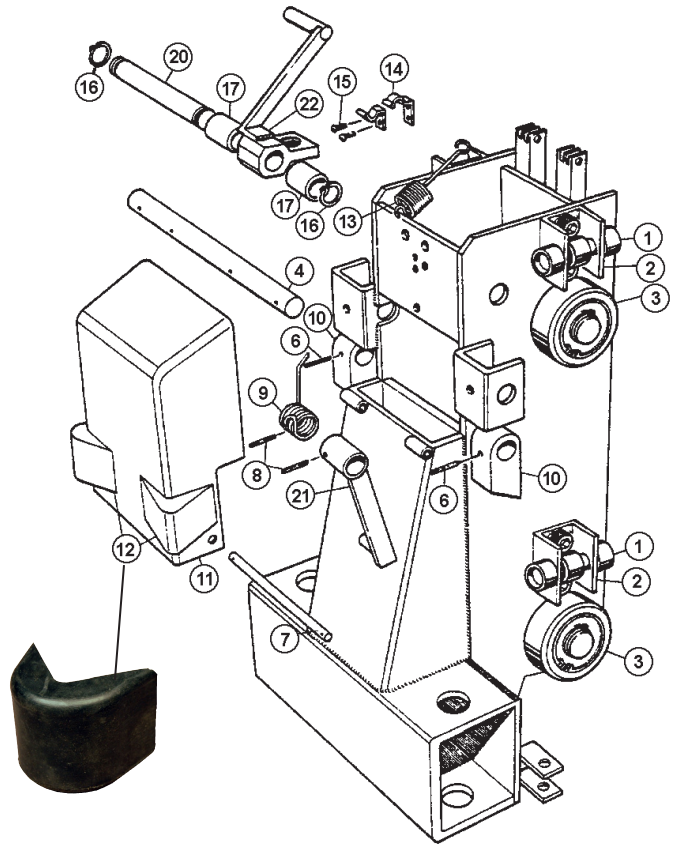
# TPO-7 and TPO-55

## Carriage Assembly

**DIRECTFIT™**  
SVI's DIRECT FIT™ BRAND



**Driver Post**



**Follower Post**

Item	SVI part #	OEM # 6-Digit	OEM # 8-Digit	Description
1	BH-7200-25	205158	00043181	Side Roller Assembly
2	BH-7200-26	206563	00046171	Side Roller Bracket
3	BH-7201-80	205155	00043161	Roller Assembly
4	no longer avail.	205648		Hook Shaft
5	no longer avail.	205647		Lowering Stop
6	F-RP-125-1125	205323	90980530	Roll Pin
7	BH-7215-07	205152	10161751	Hinge Pin
8	F-RP-125-1500	205326	90980535	Roll Pins
9	BH-7200-31	205644		Hook Spring
10	no longer avail.	205647		Lowering Stop
11	BH-7200-33	205646	00052482	Cover

Item	SVI part #	OEM # 6-Digit	OEM # 8-Digit	Description
12	BH-7204-051	205151	50561701	Door Stop Rubber
13	BH-7200-34	205638	50580852	Spring
14	BH-7200-35	205140	50561722	Cover Spring
15	BH-7209-26	205324	90940608	Round Head Screws
16	BH-7200-37	205880	80845017	Snap Ring
17	BH-7200-38	205640	10180831	Catch Gear Collar
18	BH-7200-39	213045		Safety Arm - Driver Post
19	BH-7200-40	205645		Main Out Lever - Drive Post
20	BH-7200-41	205639	10180821	Catch Gear Shaft
21	BH-7200-42	205656		Sub Out Lever - Follower Post
22	BH-7200-43	213048		Safety Arm - Follower Post



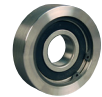
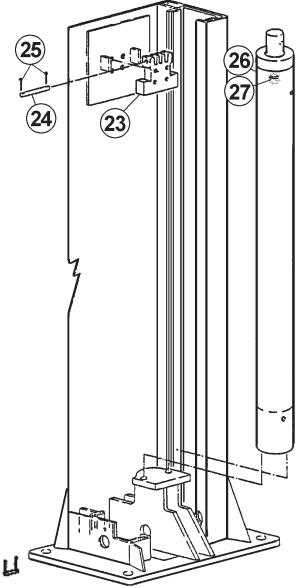
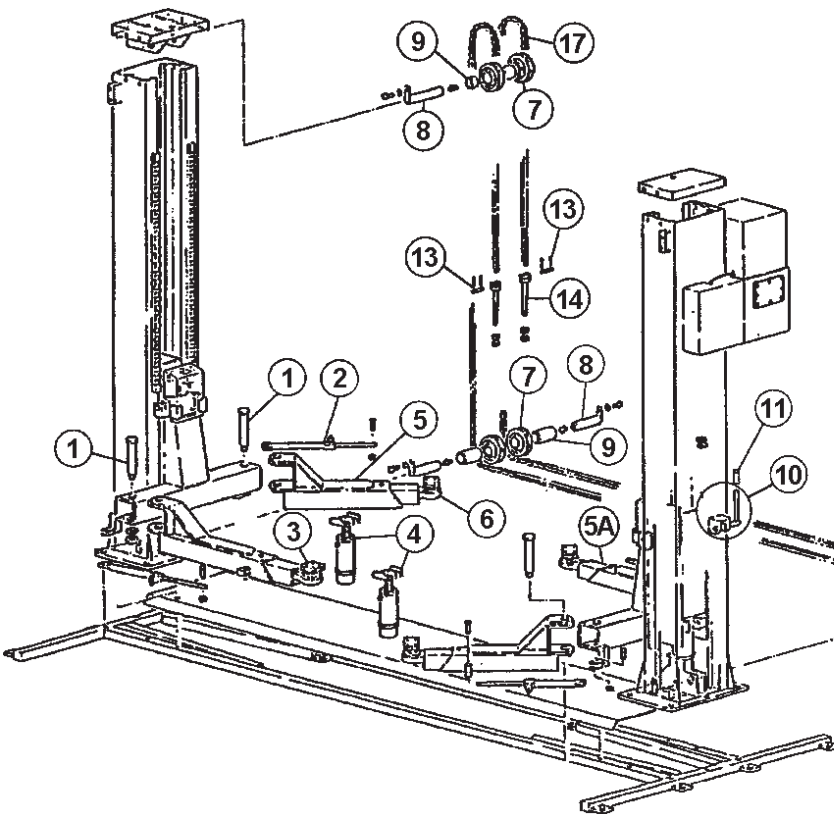
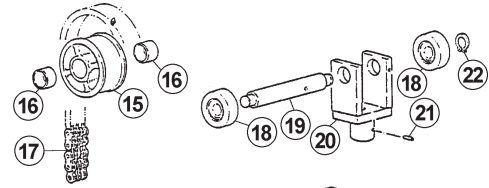
# Repair Parts for TP-9

9000 lb. Lift

**DIRECTFIT™**  
SVI's DIRECT FIT™ BRAND



**BH-7214-02**  
Rubber Arm Pad  
(Square)



**BH-7201-80**  
(Ref 205155, 00043161)

Item	SVI part #	OEM #	Description
1	BH-7209-36	00067780	Arm Pin
2	BH-7209-10	00067680	Arm Restraint Assembly
3	<b>BH-7214-02</b>	50509901	Rubber Arm Pad (small)
4	no longer avail.	00067700	See SVI Height Extension Adapter Catalog
5	BH-7209-09	00067800	Left Lift Arm
5A	BH-7209-08	00067720	Right Lift Arm
6	BH-7209-07	00067740	Inner Slide Arm (Right & Left)
7	BH-7209-34	00041371	Chain Wheel
8	BH-7209-35	00067920	Chain Wheel Shaft
9	BH-7209-37	10282360	Lower Pulley Collar
10	BH-7200-63	00043501	Control Shaft
	BH-7200-75	10161831	Control Shaft Collar
	BH-7200-74	10161852	Control Lever
	BH-7209-38	10181022	Crank Pin
11	BH-7203-116	50561801	Vinyl Grip
12	BH-7032	80835427	Leaf Chain

Item	SVI part #	OEM #	Description
13	BH-7209-39	80839331	Cotter Pin
14	BH-7209-40	00067880	Chain Rod
15	BH-7209-41	10281780	Chain Wheel
16	BH-7209-42	81705030	Oilite Bearing
17	BH-7039	80837049	Leaf Chain
18	BH-7201-80	00043161	Guide Roller Assembly
19	BH-7209-45	10281800	Chain Wheel Shaft
20	BH-7209-46	00067620	Chain Bracket/Yoke
21	BH-7209-47	90960816	Socket Head Capscrew
22	BH-7209-48	80845022	Snap Ring
23	BH-7209-49	10166301	Chain Fitting Plate
24	BH-7209-50	80839700	Offset Link Pin
25	BH-7209-51	90973017	Cotter Pin
26	BH-7209-52	00097200	Cylinder Assembly
27	BH-7204-100	00068040	Cylinder Seal Kit
--	BH-7070-K		PowerStation Air / Electric Utility Box

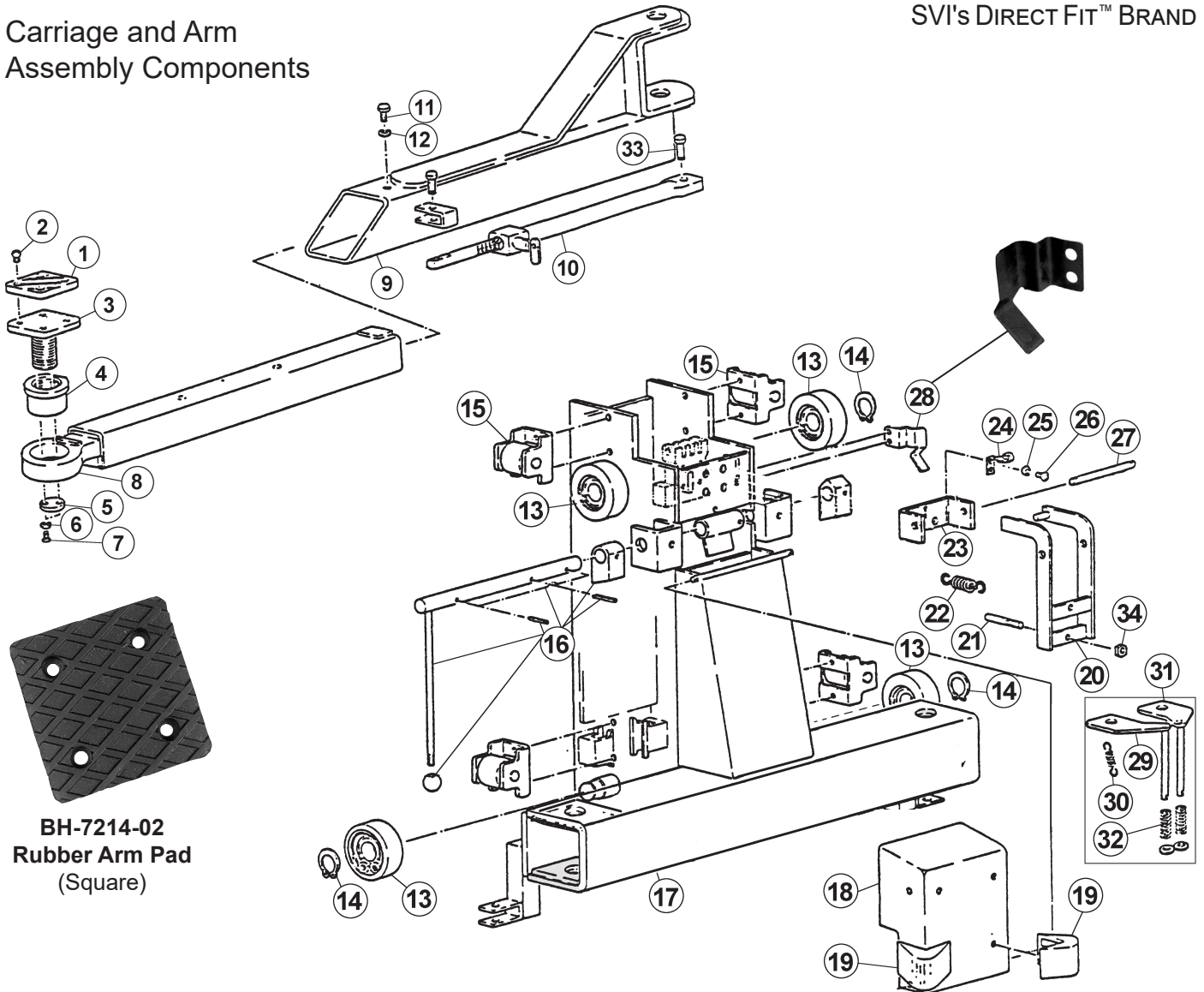
Page 48



# TP-9

## Carriage and Arm Assembly Components

**DIRECTFIT™**  
SVI's DIRECT FIT™ BRAND



**BH-7214-02**  
**Rubber Arm Pad**  
(Square)

Item	SVI part #	OEM #	Description
1	BH-7214-02	50509901	Rubber Arm Pad (Square)
2	BH-7209-02	90940612	Round Head Small Screw
3	BH-7209-03A		Screw Up Adapter Only
4	BH-7209-03	00067760	Adjust Nut w/Screw Up Adapter
	<b>BH-7209-03AM</b>	00067760x	Complete Adjust Nut w/Screw Up Adapter with Pad
5	BH-7209-05	10126521	Adapter Adjuster Stopper
6	BH-7209-06	90930909	Serrated Washer
7	BH-7204-005	90950615	Flat Head Small Screw
8	BH-7209-07	00067740	Slide Arm for TP-9
9	BH-7209-08	00067720	Right Lift Arm
9	BH-7209-09	00067800	Left Lift Arm
10	BH-7209-10	00067680	Arm Restraint Assembly
11	BH-7209-11	90911015	Hex Bolt
12	BH-7203-343	90930510	Spring Washer
13	BH-7209-12	00068110	Guide Roller Assembly
14	BH-7203-041	80845022	Snap Ring
15	BH-7209-13	00067480	Side Roller
16	BH-7209-14	00068080	Power Post Safety Device Assembly
	BH-7209-15	00068090	Opposite Post Safety Device Assembly

Item	SVI part #	OEM #	Description
17	BH-7209-16	00067460	Power Post Carriage
17	BH-7209-17	00067540	Opposite Post Carriage
18	BH-7209-18	00043481	Power Post Cover
	BH-7209-19	00043492	Opposite Side Post Cover
19	BH-7209-20	50561702	Rubber Car Door Bumper
20	BH-7209-21	00043251	Power Post Safety Arm
21	BH-7209-22	10160861	Power Post Safety Bolt
22	BH-7209-23	50560801	Spring
23	BH-7209-24	10160441	Power Post Safety Bracket
24	BH-7209-25	50561712	Power Post Hook Cover Spring
25	BH-7201-42	90930506	Spring Washer
26	BH-7209-26	90940608	Round Head Small Screw
27	BH-7209-27	10160851	Power Post Safety Shaft
28	BH-7214-01	50560952	Return Spring
29	BH-7209-29	00067580	Opposite Side Post Left Safety Arm
30	BH-7209-30	50560911	Return Spring
31	BH-7209-31	00067560	Opposite Side Post Right Safety Arm
32	BH-7209-32	50560902	Spring
33	F-CV-312-1750	10201681	Lock Fitting Pin
34	F-HN-0250-11	90930010	Hex Nut



# Grand Prix Series Models: GP-55, GP-7 / 7W, Bishamon SP7, NP7

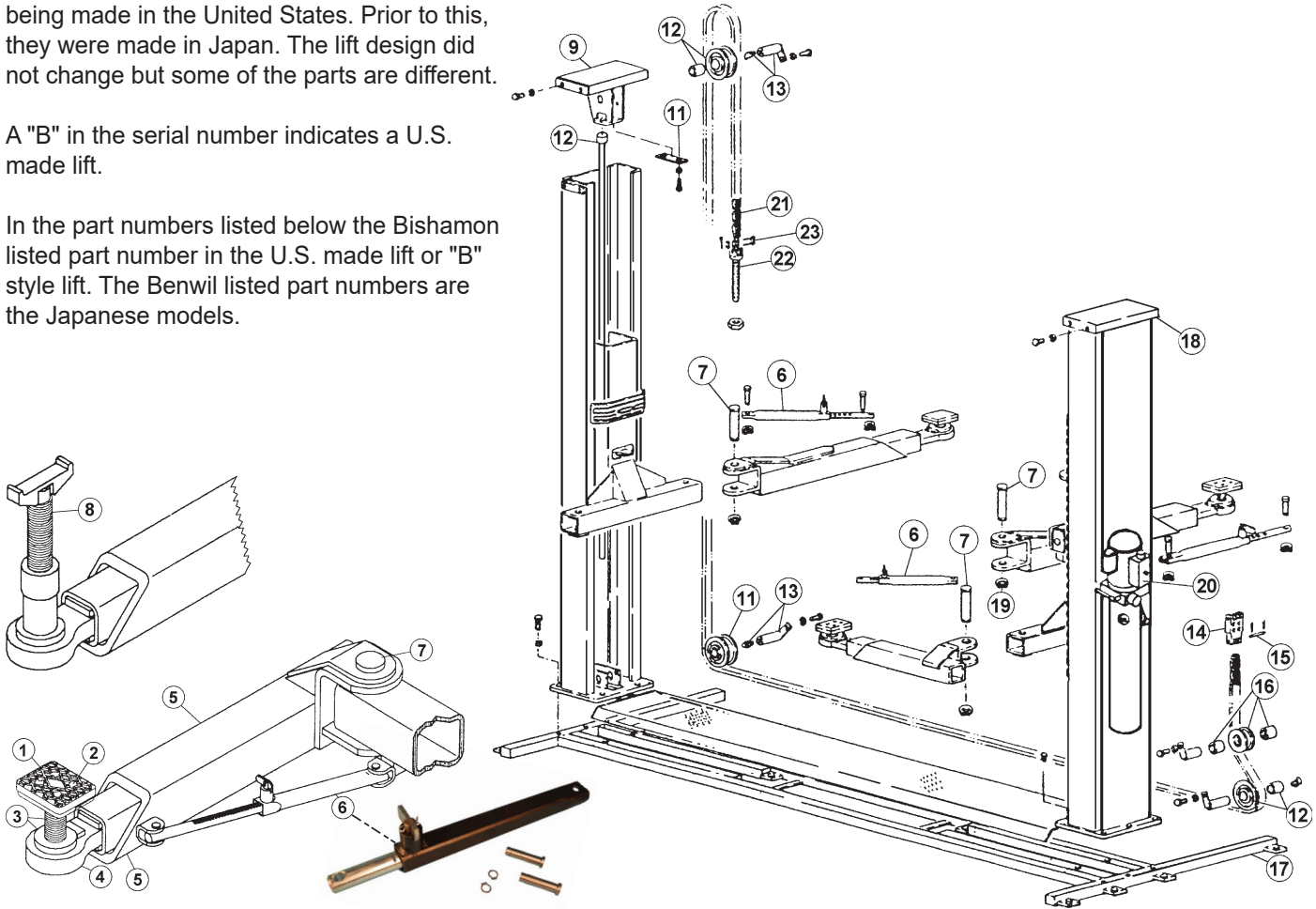


On all Benwil Grand Prix Series Lifts it is important that the serial number be given at the time of order. In mid-1988, these lifts began being made in the United States. Prior to this, they were made in Japan. The lift design did not change but some of the parts are different.

A "B" in the serial number indicates a U.S. made lift.

In the part numbers listed below the Bishamon listed part number in the U.S. made lift or "B" style lift. The Benwil listed part numbers are the Japanese models.

## Carriage and Arm Assembly Components



Item	SVI part #	Benwil Part #	Bishamon Part #	Description
1	BH-7205	205175	SP710002	Rubber Arm Pad
2	BH-7205-01	90940812	XFS04	Round Head Screw
3	BH-7205-02	00102500	LAE00000	Pick Up Pad Assembly
4	BH-7205-05	00100400		Short Slide Arm (GP-55)
	BH-7205-06	00099640	SP732000	Short Slide Arm (GP-7, SP7)
	BH-7205-07	00100500		Long Slide Arm (GP-55)
	BH-7205-08	00099780	SP712000	Long Slide Arm (GP-7, SP7)
5	BH-7205-11	00102961		Short Arm R (GP-55)
	BH-7205-11A	00102481	SP731000	Short Lift Arm (Right)
	BH-7205-09	00103001		Short Arm L (GP-55)
	BH-7205-09A	00102541	SP741000	Short Lift Arm (Left)
	BH-7202-32	00103041		Long Arm R (GP-55)
	BH-7202-32A	00102581	SP711000	Long Lift Arm (Right)
	BH-7205-10	00103181		Long Arm L (GP-55)
	BH-7205-10A	00102621	SP721000	Long Lift Arm (Left)
6	BH-7200-10A	00043882		Swing Arm Lock Assy. 12-5/8"
	BH-7202-30	30102640	SP750000	Arm Restraint Assy. Short 10-5/8"
7	BH-7201-12	00099660	SP713000	Lift Arm Pin
8	BH-7201-81		TA-7	Truck Height Adapter

Item	SVI part #	Benwil Part #	Bishamon Part #	Description
9	BH-7201-60		SP220000	Opposite Side Post Cover
10	BH-7201-82	11320040	SP230000	Safety Bar
11	BH-7201-83		SP200001	Safety Bar Stop
12	BH-7202-00	00098630	AS2	Chain Wheel B Assy.
13	BH-7201-00A	00098420	AS3	Chain Wheel Shaft Assy.
14	BH-7201-02	11316500	SP600002	Carriage Chain Plate
15	BH-7201-03	51311090	51311090	Chain Fitting Pin
16	BH-7201-84	00098610	AS1	Sub Chain Wheel Assembly
17	BH-7201-85		SP910000	Base (GP, SP)
18	BH-7201-86	00099060	SP120000	Drive Post Cover
19	F-RR-1562		XFR08	Retaining Ring 1-9/16"
20	BH-7006-01	AB-1043-A	XE001	Single Phase Power Unit
21	BH-7030 *	80835431	XC003	Leaf Chain-Verify Type
22	BH-7202-25	11317180	SP800004	Chain Adjuster
23	BH-7030-01	80839455	80839455	Connecting Link
--	BH-7070-K			PowerStation Air/Electric Box

\* Order 440 Links for the GP-7 or SP-7  
Order 464 Links for the GP-7W or NP-7

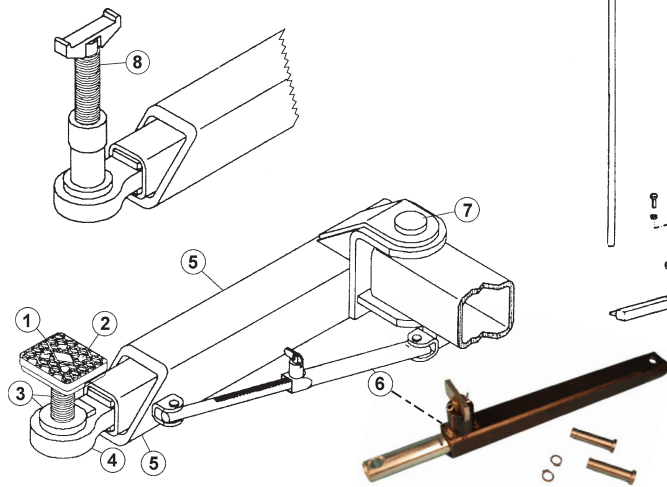
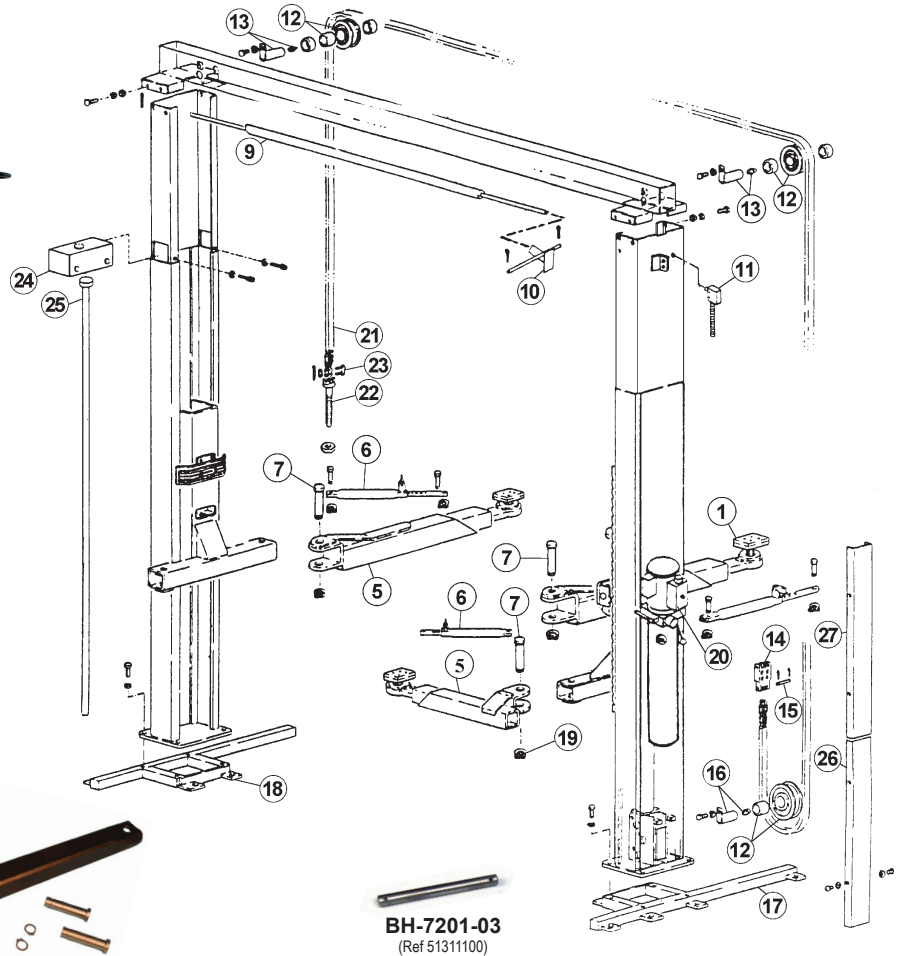
CHAIN NOTE: Always verify type of chain. Chain is non-returnable.



# Grand Prix Series Models: GPO-55, GPO-7 / 7W, DIRECTFIT™ Bishamon SA7, NA7

## POWER STATION™ AIR / ELECTRIC UTILITY BOX

Simply install the PowerStation™ on your surface-mount lift or nearby wall, bring in your air and electric service, and watch the results. You'll see improved performance and a more organized shop. No longer worry about trip hazards associated with cords and hoses stretched for great distances across your floor.



Item	SVI part #	Benwil Part #	Bishamon Part #	Description
1	BH-7205	205142	SP710002	Rubber Arm Pad
2	BH-7205-01	90940812	XFS04	Round Head Screw
3	BH-7205-02	00102500	LAE00000	Adj. Support w/Nut This is the SVI Version
4	BH-7205-05	00100400		Short Slide Arm (GPO-55)
	BH-7205-06	00099640	SP732000	Short Slide Arm (GPO-7, SPO7)
	BH-7205-07	00100500		Long Slide Arm (GPO-55)
	BH-7205-08	00099780	SP712000	Long Slide Arm (GPO-7, SPO7)
5	BH-7205-11	00102961		Short Arm R (GPO-55)
	BH-7205-11A	00102481	SP731000	Short Lift Arm (Right)
	BH-7205-09	00103001		Short Arm L (GPO-55)
	BH-7205-09A	00102541	SP7410000	Short Lift Arm (Left)
	BH-7202-32	00103041		Long Arm R (GPO-55)
	BH-7202-32A	00102581	SP711000	Long Lift Arm (Right)
	BH-7205-10	00103181		Long Arm L (GPO-55)
	BH-7205-10A	00102621	SP721000	Long Lift Arm (Left) 12-5/8"
6	BH-7200-10A	00043882		Arm Restraint Assembly
	BH-7202-30	30102640	SP750000	Arm Restraint Assy. "B" 10-5/8"
7	BH-7201-12	00099660	SP713000	Lift Arm Pin
8	BH-7201-81	TA-7		Truck Height Adapter
9	BH-7201-93		SA620000	Limit Switch w/Cover for Standard "B" Models
	BH-7202-18	51311220		Wire for Japan Models

Item	SVI part #	Benwil Part #	Bishamon Part #	Description
10	BH-7202-21		SA610000	Upper Limit Stop
11	BH-7202-22	51311250	SA630000	Limit Switch Assembly
12	BH-7201-09	11317120	ASO1	Chain Wheel C Assembly
13	BH-7201-87		ASO2	Chain Wheel Shaft Assembly
14	BH-7201-02	11316500	SP600002	Carriage Chain Plate
15	BH-7201-03	51311100	51311100	Chain Fitting Pin
16	BH-7201-10	00099860	SP810000	Sub Chain Wheel Assembly
17	BH-7201-89		SA720000	Left Side Base
18	BH-7201-90		SA710000	Right Side Base
19	F-RR-1562	XFR08		Retaining Ring 1-9/16"
20	BH-7006-01	AB-1043-A	XE001	Single Phase Power Unit
21	BH-7030 *		XC003	Leaf Chain-Verify Type
22	BH-7202-25	11317180	SP800004	Chain Adjuster
23	BH-7030-01	80839455	80839455	Connecting Link
24	BH-7201-91		SA200001	Safety Bar Holder
25	BH-7201-92		SA220000	Safety Bar
26	BH-7201-90B		SA100005	Chain Case
27	BH-7201-90C		SL100003	Chain Case - Short
--	BH-7070-K			PowerStation Air/Electric Box

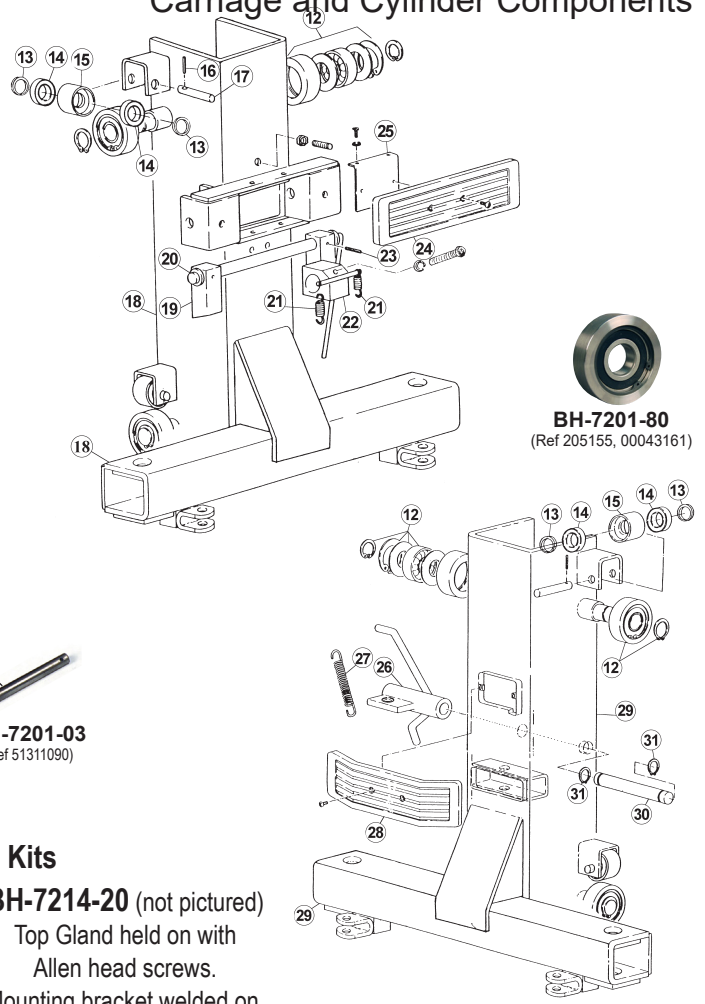
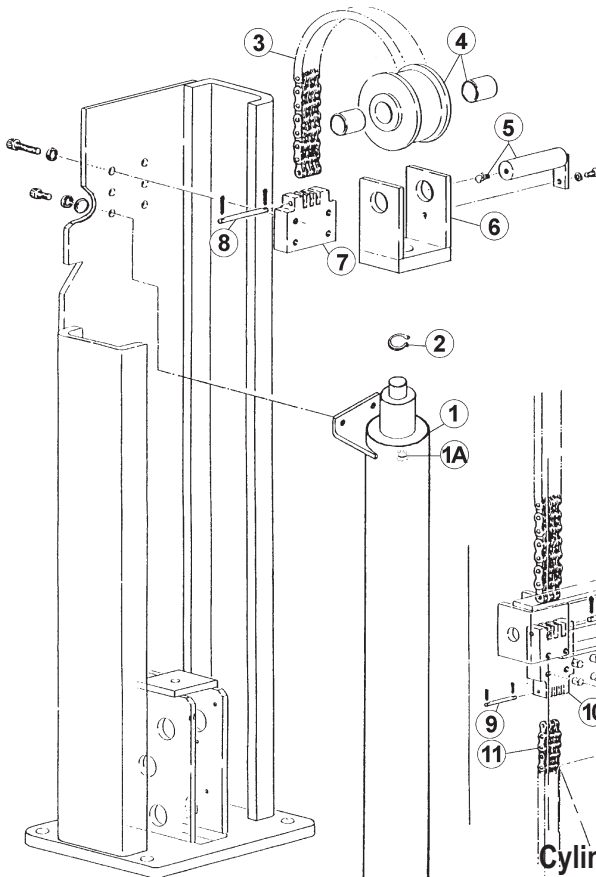
\* Order 532 Links of Chain for the GPO-7 or SA-7  
Order 558 Links for Chain for the GPO-7W or SA-7

CHAIN NOTE: Always verify type of chain. Chain is non-returnable.

**Grand Prix Series Models:  
GP-55, GPO-55, GP-7, GPO-7 / 7W,  
Bishamon SA7, NA7, SP7, SL7, NL7**

**DIRECTFIT™**  
SVI's DIRECT FIT™ BRAND

**Carriage and Cylinder Components**



**BH-7201-80**  
(Ref 205155, 00043161)

**BH-7201-03**  
(Ref 51311090)

**Cylinder Seal Kits**

**BH-7215-11** (pictured left)  
Top Gland held on by snap ring  
vent or no vent on cyl. & bracket.  
Mounting bracket bolted on.

**BH-7214-20** (not pictured)  
Top Gland held on with  
Allen head screws.  
Mounting bracket welded on.



Item	SVI part #	Benwil Part #	Bishamon Part #	Description
1	BH-7201-24	30101560	SP640001	Cylinder
	<b>BH-7215-11</b>			Cylinder Seal Kit
	<b>BH-7214-20</b>			Cylinder Seal Kit
2	F-RR-1187		XFR06	1-3/16" Snap Ring
3	BH-7031	80837955	XC002	Leaf Chain 57 Pitches
4	BH-7201-27	11316440	SP660000	Chain Wheel A Assembly
5	BH-7201-28	00099560	SP620000	Chain Wheel Shaft
6	BH-7201-29	00099540	SP610000	Chain Bracket/Yoke
7	BH-7201-25	11316480	SP600001	Post Chain Plate
8	BH-7201-03	51311090	51311090	Chain Fitting Pin
9	BH-7202-34	51311100	51311100	Chain Pin
10	BH-7201-02	11316500	SP600002	Carriage Chain Plate
11	BH-7030		XC003	Leaf Chain
12	BH-7201-80	00043161	AS5	Guide Roller Assembly
13	BH-7201-95		SP300005	Side Roller Collar
14	BH-7201-96		XB001	Bearing
15	BH-7201-00	00099260	Sp300007	Side Roller

Item	SVI part #	Benwil Part #	Bishamon Part #	Description
16	F-RP-187-1125	80846044	XFP04	Roll Pin
17	BH-7201-97		SP300004	Side Roller Shaft
18	BH-7201-98	00102220	SP310000	Motor Side Carriage
19	BH-7201-99		AS6	Hook Shaft Assembly 7/8"
	BH-7201-99A	00098270		Hook Shaft Assembly 1"
20	BH-7201-46	10235276	SP300006	Hook Shaft Collar
21	BH-7201-45	51311000	SP300003	Spring
22	BH-7202-35		SP330000	Safety Cam
23	F-RP-250-1250		SFP05	Roll Pin
24	BH-7201-41	51311020	SP300010	Door Bumper
25	BH-7201-43	11319800	SP300002	Door Bumper Plate
26	BH-7201-51	00099420	SP420000	Catch Gear
27	BH-7201-52	51311060	SP400002	Catch Gear Spring
28	BH-7201-56	51311080	SP400003	Opposite Side Door Bumper
29	not available	00102280	SP410000	Opposite Side Carriage
30	BH-7202-33	11316160	SP400001	Catch Gear Shaft
31	F-RR-1000		XFR05	Retaining Ring

P  
a  
g  
e  
52

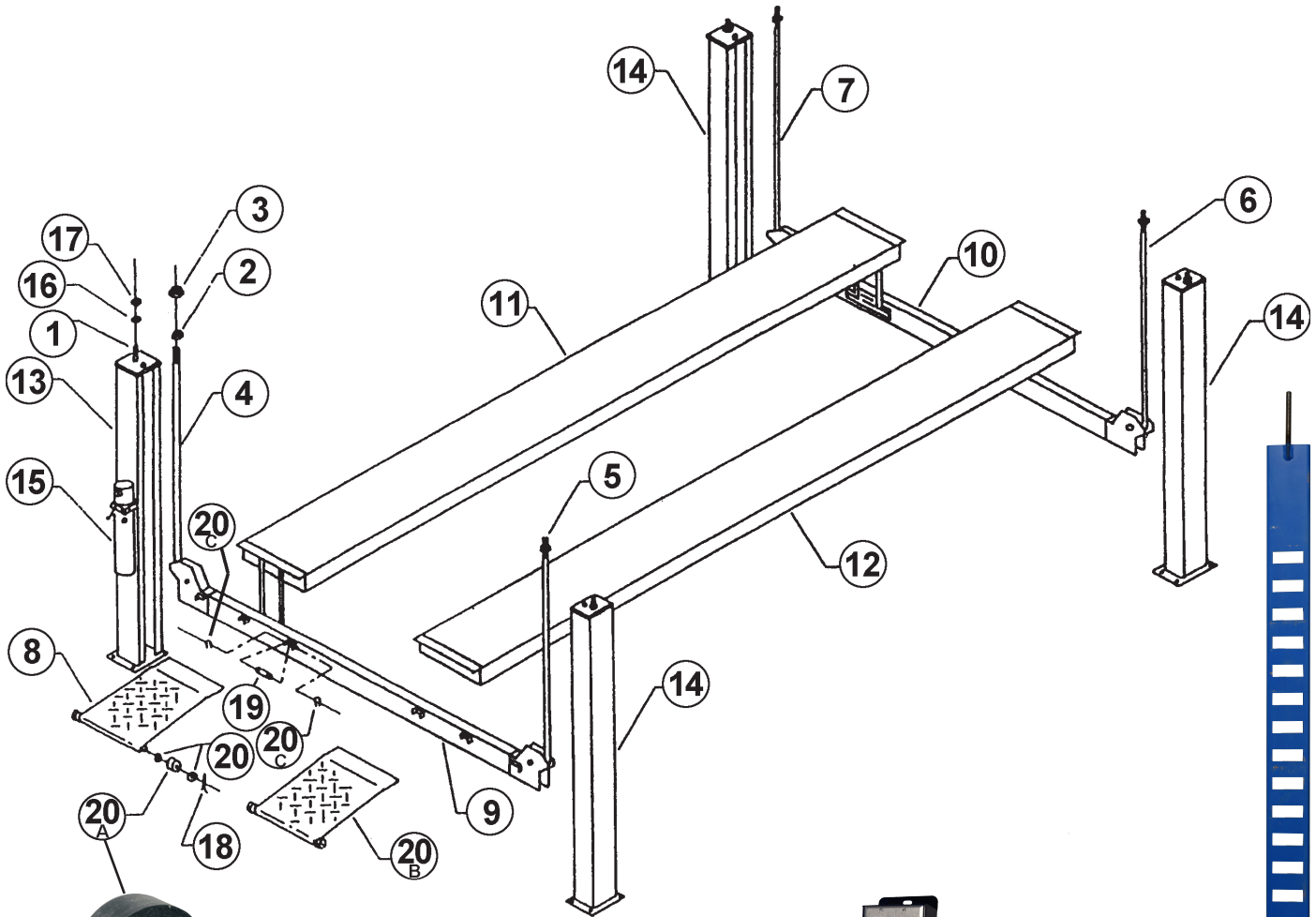


# FP-12G and FP-12LR

**DIRECTFIT™**  
SVI's DIRECT FIT™ BRAND

Item	SVI part #	OEM #	Description	Qty
1	BH-7202-012	500047	Bar Assy. Adj. Lock	4
2	F-JN-0875-14	7/8"-14	Jam Nut	4
3	F-HN-0875-14	7/8"-14	Hex Nut	4
4	BH-7213-63	500215-7	Wire Rope	1
5	BH-7213-64	500215-9	Wire Rope	1
6	BH-7213-62	500215-5	Wire Rope	1
7	BH-7213-61	500215-3	Wire Rope	1
8	BH-7207-79	500094	Ramp Assembly	2
9	call for details	500382-3	Rear Bm. Final Assembly	1
10	call for details	500382-1	Forward Bm. Final Assembly	1
11	call for details	500020	Runway Assy., Left	1
12	call for details	500023	Runway Assy., Right	1

Item	SVI part #	OEM #	Description	Qty
13	call for details	500140	Col. Assembly, Power	1
14	call for details	500095	Column Assembly	3
15	BH-7006-05	101067	Elec.-Hyd. Pump (1PH)	1
	BH-7006-07	101068	Elec.-Hyd. Pump (3PH)	1
16	F-JN-0625-11	5/8"-11	Jam Nut	4
17	F-HN-0625-11	5/8"-11	Hex Nut	4
18	F-CP-125-1000	1/8"-1"	Cotter Pin	4
19	BH-7206-65	500176-1	Pin 3/4" x 3"	4
20	F-FW-0625-SAE	5/8" SAE	Plain Washer	8
20A	BH-7213-59	500308	Wheel-On Ramp	4
20B	call for details	500380	Ramp Final Assembly	2
20C	BH-7207-50	300218-14	Ext. Ret. Ring	8



**BH-7213-59**  
(Ref 500308)  
**Ramp Wheel**

**POWER STATION™**  
**AIR / ELECTRIC UTILITY BOX**

Simply install the PowerStation™ on your surface-mount lift or nearby wall, bring in your air and electric service, and watch the results. You'll see improved performance and a more organized shop. No longer worry about trip hazards associated with cords and hoses stretched for great distances across your floor.



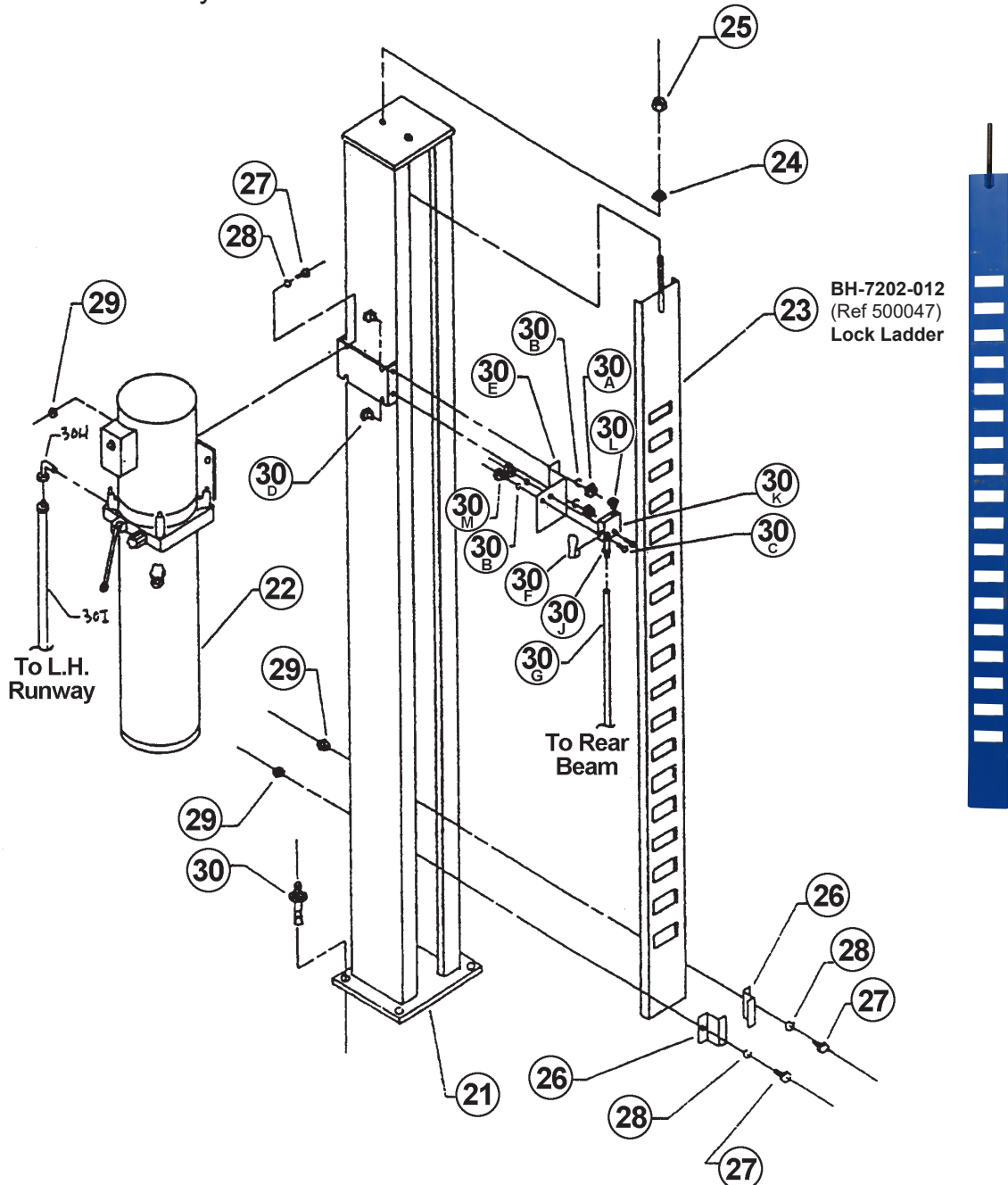
**BH-7202-012**  
(Ref 500047)  
**Lock Ladder**





**FP-12G and FP-12LR**  
Power Column Assembly

**DIRECTFIT™**  
SVI's DIRECT FIT™ BRAND



P  
a  
g  
e

Item	SVI part #	OEM #	Description	Qty
21	call for details	500140	Column Assembly, Power	1
22	<b>BH-7006-05</b>	101067	Elec.-Hyd. Pump (1 PH)	1
	<b>BH-7006-07</b>	101068	Elec.-Hyd. Pump (3 PH)	1
23	BH-7202-012	500047	Bar Assembly-Adj. Lock	1
24	F-JN-0625-11	5/8"-11	Jam Nut	1
25	F-HN-0625-11	5/8"-11	Hex Nut	1
26	BH-7212-37	500139	Guide-Lock Bar	2
27	F-HC-0312-18-0750	5/16"-18 x 3/4	Hex Bolt	6
28	F-LW-0312	5/16"	Split Lock Washer	6
29	F-HN-0312-18	5/16"-18	Hex Nut	6
30	BH-7224-131	500388	Anchor Bolt	4

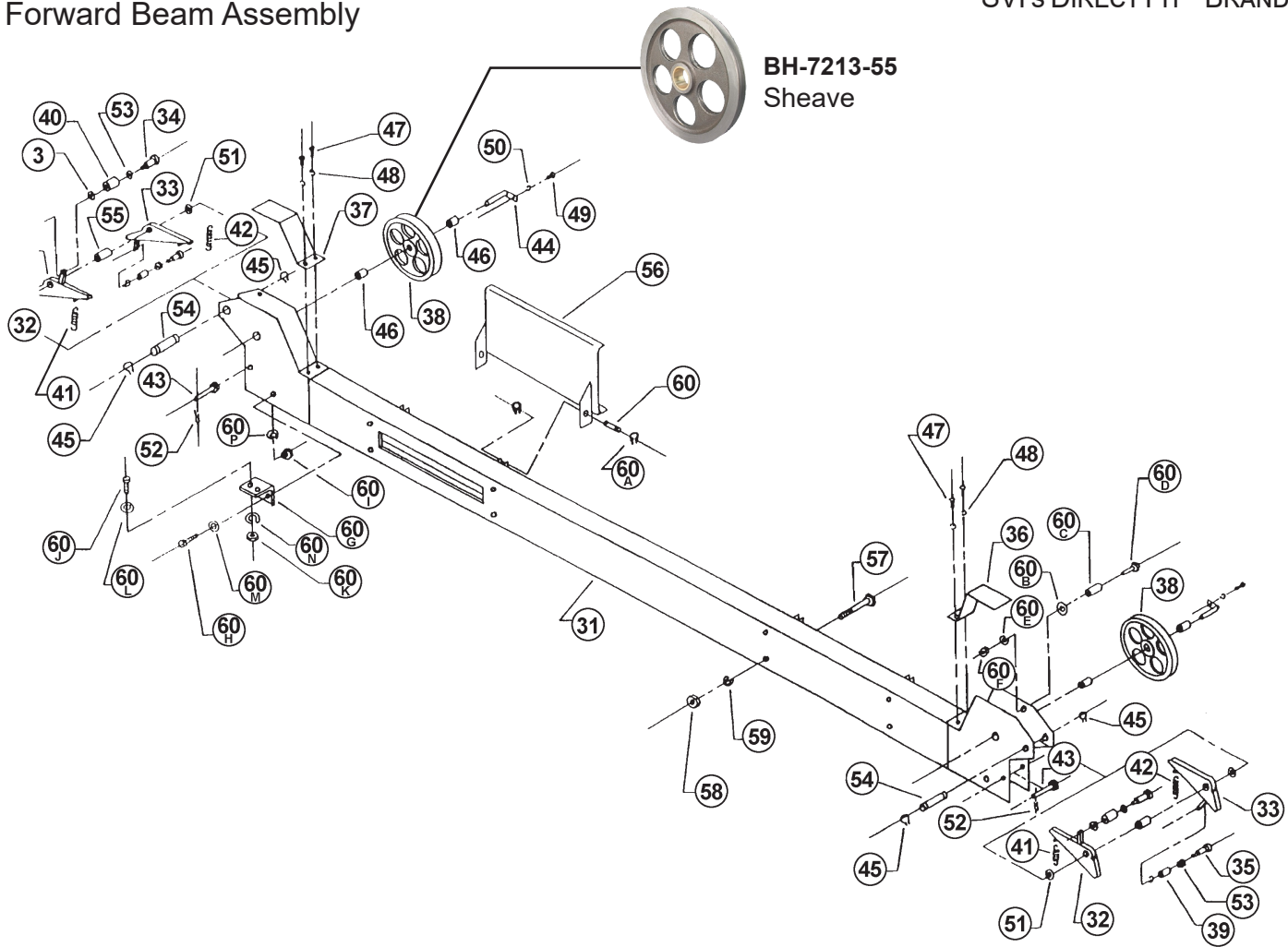
Item	SVI part #	OEM #	Description	Qty
30A	F-HN-0010-24	10-24	Hex Nut	2
30B	F-LW-0187	3/16"	Lock Washer-Split	4
30C	F-MS-0010-32-1000	10-32x1"	Screw Pan Hd. (Phil)	2
30D	F-MS-0010-24-0500	10-24 x 1/2"	Screw Pan Hd. (Phil)	2
30E	BH-7206-66	500198	Bracket-Air Valve	1
30F	BH-7213-70	500374	Finger Tip Opert.	1
30G	call for details	500399-9	72" Rubber Air Hose	1
30H	BH-7224-05	500393	St. Thd. Elbow	1
30I	BH-7212-21	500063	Hyd. Hose 88"	1
30J	BH-7212-64	500392	Hose Fitting	1
30K	<b>BH-7213-01</b>	500373	Valve-Air	1
30L	BH-7213-79	500376	Breather Muffler	1
30M	F-HN-0010-32	10-32	Hex Head Nut	2



# FP-12G and FP-12LR

## Forward Beam Assembly

**DIRECTFIT™**  
SVI's DIRECT FIT™ BRAND



Item	SVI part #	OEM #	Description	Qty
31	call for details	500038	Forward Beam Assembly	1
32	BH-7202-002A	500674	Lock-Loose Cable	2
33	BH-7202-003	500675	Lock-Ratchet	2
34	F-SB-0375-16-1250	3/8" x 1-1/4"	Shoulder Bolt	2
35	BH-7217-03	500768	Screw-Ratchet	2
36	BH-7212-46	500196	Cover-Sheave (LH)	1
37	BH-7212-49	500195	Cover-Sheave (RH)	1
38	<b>BH-7213-55</b>	<b>500333</b>	<b>Sheave</b>	<b>2</b>
39	BH-7213-89	500384	Spacer-Lock Rod	2
40	<b>BH-7202-009</b>	500066	Roller-Nylon	2
41	BH-7202-010	500156	Spring-Cable Safety	2
42	BH-7202-011	500155	Spring Lock	2
43	F-CV-0375-3750	3/8" x 3-3/4"	Clevis Pin	2
44	<b>BH-7208-40</b>	500177	Crossrail Pulley Pin	2
45	F-RR-5100-1000	300218-2	Ext. Retaining Ring	4
46	BH-7208-41	500161-2	Spacer-Sheave Axle	4
47	F-HC-0312-18-0500	5/16"-18 x 1/2"	Hex Head Bolt	4
48	F-LW-0312	5/16"	Split Lock Washer	6
49	F-HC-0250-20-0500	1/4"-20 x 1/2"	Hex Head Bolt	2
50	F-LW-0250	1/4"	Split Lock Washer	2
51	BH-7217-02	500383	Steel Mach. Bush.	4
52	F-CP-125-0750	1/8" x 3/4"	Cotter Pin	2
53	F-FW-0375	3/8"	Flat Washer	6

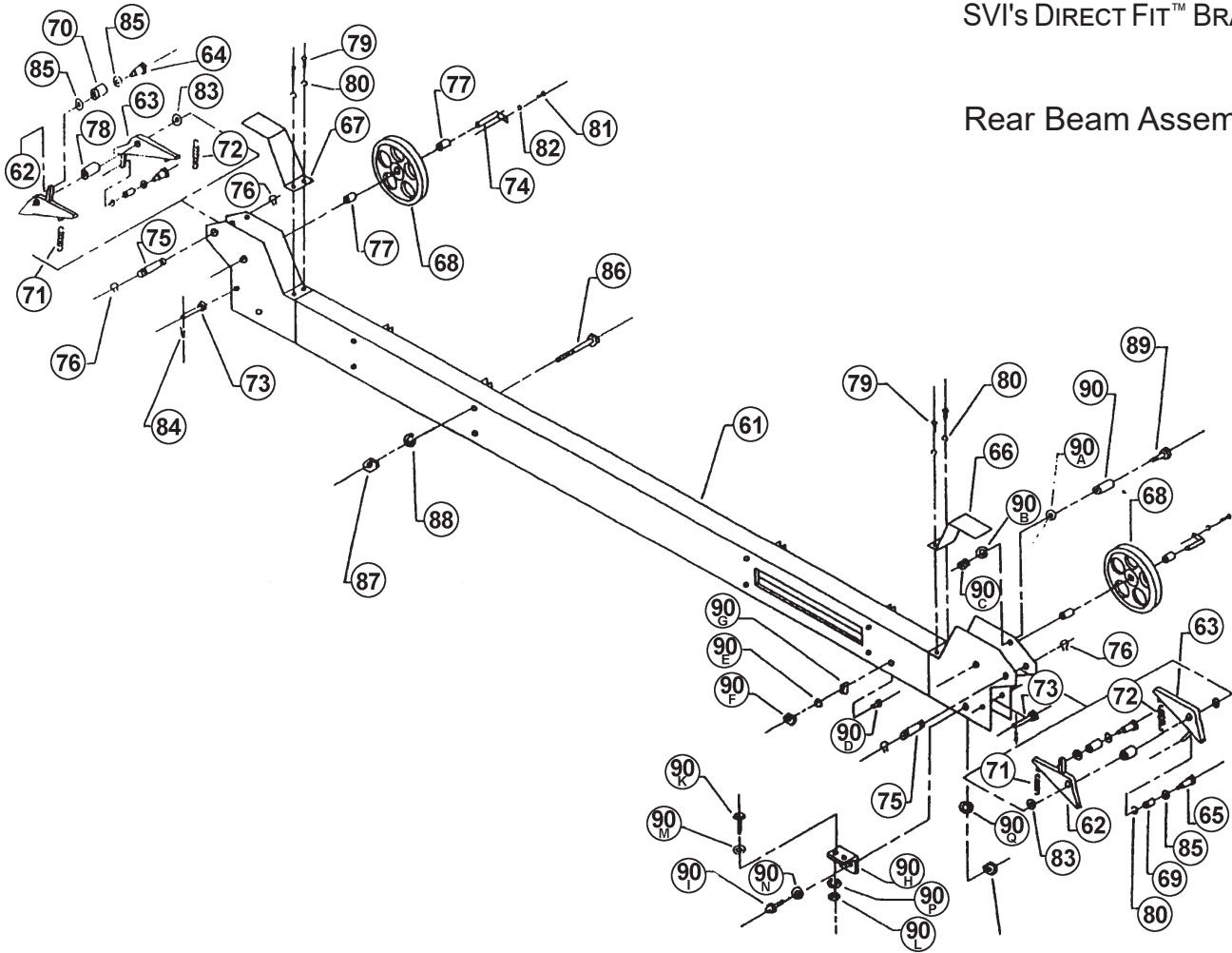
Item	SVI part #	OEM #	Description	Qty
54	BH-7213-91	500061	Axle-Lock	2
55	BH-7213-92	500184	Spacer-Lock	2
56	BH-7213-66	500172	Front Chock	2
57	F-HC-0375-16-4000	3/8"-16 x 4	Hex Head Bolt	8
	F-HC-0375-16-4500	3/8"-16 x 4-1/2"	Hex Head Bolt	8
58	F-HN-0375-16	3/8"-16	Hex Head Nut	8
59	F-LW-0375	3/8"	Split Lock Washer	8
60	BH-7206-65	500176-1	Pin 3/4" x 3"	4
60A	BH-7207-50	300218-14	Ext. Retaining Ring	8
60B	BH-7213-84	500024	Washer-Nylon	2
60C	BH-7213-85	500025	Spacer	2
60D	F-HC-0437-14-1750	7/16"-14 x 1-3/4"	Hex Head Bolt	2
60E	F-LW-0437	7/16"	Split Lock Washer	2
60F	F-HN-0437-14	7/16"-14	Hex Head Nut	2
60G	call for details	500370	Angle-Wlkwy. Sup.	2
60H	F-HC-0500-13-1500	1/2"-13 x 1-1/2"	Hex Head Bolt	2
60I	F-HN-0500-13	1/2"-13	Hex Head Nut	2
60J	F-HC-0437-14-1500	7/16"-14 x 1-1/2"	Hex Head Bolt	4
60K	F-HN-0437-14	7/16"-14	Hex Head Nut	4
60L	F-FW-0437-SAE	7/16"	Flat Washer-SAE	4
60M	F-FW-0500-SAE	1/2"	Flat Washer-SAE	2
60N	F-LW-0437	7/16"	Split Lock Washer	4
60P	F-LW-0500	1/2"	Split Lock Washer	2



FP-12G and FP-12LR

**DIRECTFIT™**  
SVI's DIRECT FIT™ BRAND

Rear Beam Assembly



Item	SVI part #	OEM #	Description	Qty
61	call for details	500039	Rear Beam Assembly	1
62	BH-7202-002A	500674	Lock-Loose Cable	2
63	BH-7202-003	500675	Lock-Ratchet	2
64	F-SB-0375-16-1250	3/8" x 1-1/4"	Shoulder Bolt	2
65	BH-7217-03	500768	Screw Ratchet	2
66	BH-7212-46	500196	Cover-Sheave (LH)	1
67	BH-7212-49	500195	Cover-Sheave (RH)	1
68	<b>BH-7213-55</b>	500333	Sheave	2
69	BH-7213-89	500384	Spacer-Lock Rod	2
70	<b>BH-7202-009</b>	500066	Roller-Nylon	2
71	BH-7202-010	500156	Spring-Cable Safety	2
72	BH-7202-011	500155	Spring-Lock	2
73	F-CV-0375-3750	3/8" x 3-3/4"	Clevis Pin	2
74	<b>BH-7208-40</b>	500177	Crossrail Pulley Pin	2
75	BH-7213-91	500061	Axle-Lock	2
76	F-RR-5100-1000	300218-2	Snap Ring	4
77	BH-7208-41	500161-2	Spacer-Sheave Axle	4
78	BH-7213-92	500184	Spacer-Lock	2
79	F-HC-0312-18-0500	5/16"-18 x 1/2"	Hex Head Bolt	4
80	F-LW-0312	5/16"	Split Lock Washer	6
81	F-HC-0250-20-0500	1/4"-20 x 1/2"	Hex Head Bolt	2
82	F-LW-0250	1/4"	Split Lock Washer	2
83	BH-7217-02	500383	Steel Mach. Bush.	4
84	F-CP-125-0750	1/8" x 3/4"	Cotter Pin	2

Item	SVI part #	OEM #	Description	Qty
85	F-FW-0375	3/8"	Flat Washer	6
86	F-HC-0375-16-4000	3/8"-16 x 4	Hex Head Bolt	8
	F-HC-0375-16-4500	3/8"-16 x 4-1/2	Hex Head Bolt	8
87	F-HN-0375-16	3/8"-16	Hex Head Nut	8
88	F-LW-0375	3/8"	Split Lock Washer	8
89	F-HC-0437-14-1750	7/16"-14x1-3/4"	Hex Head Bolt	2
90	BH-7213-85	500025	Spacer	2
90A	BH-7213-84	500024	Washer-Nylon	2
90B	F-LW-0437	7/16"	Split Lock Washer	2
90C	F-HN-0437-14	7/16"-14	Hex Head Nut	2
90D	F-HC-0010-32-1000	10-32 x 1"	Hex Head Bolt	1
90E	F-LW-0187	3/16"	Split Lock Washer	1
90F	F-HN-0010-32	10-32	Hex Head Nut	1
90G	BH-7211-32	300947	Hose Clamp	1
90H	call for details	500370	Angle Walkway Sup.	1
90I	F-HC-0500-13-1500	1/2"-13 x 1-1/2"	Hex Head Bolt	1
90J	F-HN-0500-13	1/2"-13	Hex Head Nut	1
90K	F-HC-0437-14-1500	7/16"-14x1-1/2"	Hex Head Bolt	2
90L	F-HN-0437-14	7/16"-14	Hex Head Nut	2
90M	F-FW-0437	7/16"	Flat Washer	2
90N	F-FW-0500	1/2"	Flat Washer	1
90P	F-LW-0437	7/16"	Split Lock Washer	2
90Q	F-LW-0500	1/2"	Split Lock Washer	1



# FP-12G and FP-12LR

## Runway Assembly

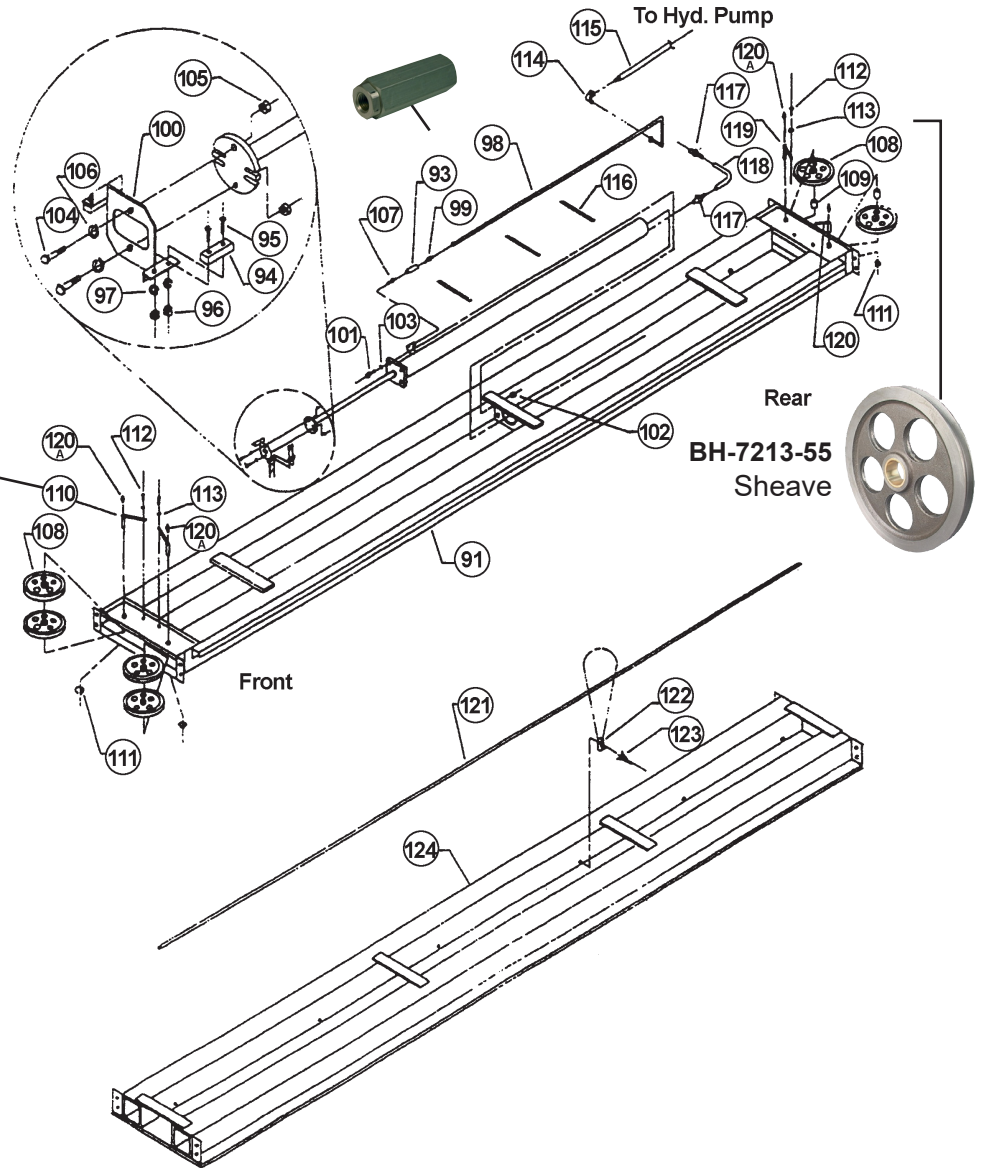
**DIRECTFIT™**  
SVI's DIRECT FIT™ BRAND



**BH-7214-03**  
(Ref 500191)  
Plastic Slide



**BH-7213-58**  
Axle for  
Front of Runway



Item	SVI part #	OEM #	Description	Qty
91	call for details	500020	Runway Assembly	1
92	BH-7213-86	500214	Hydraulic Cylinder	1
93	BH-7208-39	500354	Flow Control	1
94	BH-7214-03	500191	Plastic Slide	2
95	F-MS-0010-24-0750	10-24 x 3/4"	Phil. Flat Hd. Screw	4
96	F-HN-0010-24	10-24	Hex Head Nut	4
97	F-LW-0187	3/16"	Split Lock Washer	4
98	call for details	500055	Hydraulic Line	1
99	BH-7210-16	500390	Male Connector	1
100	BH-7214-04	500193	Plate Assembly	1
101	F-HC-0375-16-1750	3/8"-16 x 1-3/4"	Hex Head Bolt	4
102	F-HN-0375-16	3/8"-16	Hex Nut	4
103	F-LW-0375	3/8"	Split Lock Washer	4
104	F-HC-0312-18-1750	5/16"-18 x 1-3/4"	Hex Head Bolt	2
105	F-HN-0312-18	5/16"-18	Hex Nut	2
106	F-LW-0312	5/16"	Split Lock Washer	2
107	BH-7210-89	500389	Pipe Nipple	1
108	BH-7213-55	500333	Sheave	6

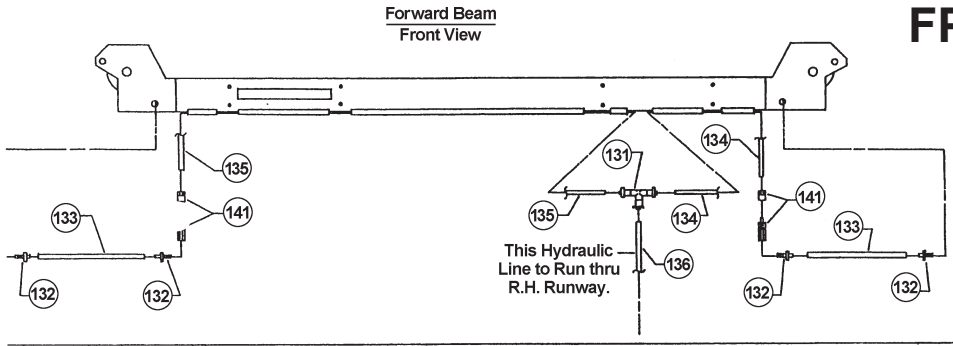
Item	SVI part #	OEM #	Description	Qty
109	BH-7208-41	500161-2	Spacer	2
110	BH-7213-58	500942	Axle-Sheave	2
111	BH-7213-57	300218-3	Snap Ring	4
112	F-HC-0250-20-0500	1/4"-20 x 1/2"	Hex Head Bolt	4
113	F-LW-0250	1/4"	Split Lock Washer	4
114	BH-7206-70	500391	90° Elbow	1
115	BH-7212-21	500063	Hydraulic Hose, 88"	1
116	call for details		8" Cable Ties	3
117	BH-7214-28	500928	Male Pipe	2
118	call for details	500399-17	Rubber Hose	1
119	BH-7213-82	500941	Axle-Sheave	1
120	BH-7213-83	500943	Axle-Sheave	1
120A	BH-7207-21	1102K11	Grease Fitting	4
121*	See Tube Book 500415-5		Polyethylene Tube	1
122	call for details	500402	Nylon Clamp Cable	6
123	call for details	500401	Push Rivet	6
124	call for details	500023	Runway Assembly	1

\* See SVI's Air Line Tubing & Push-On Fittings Book (DSP7900)

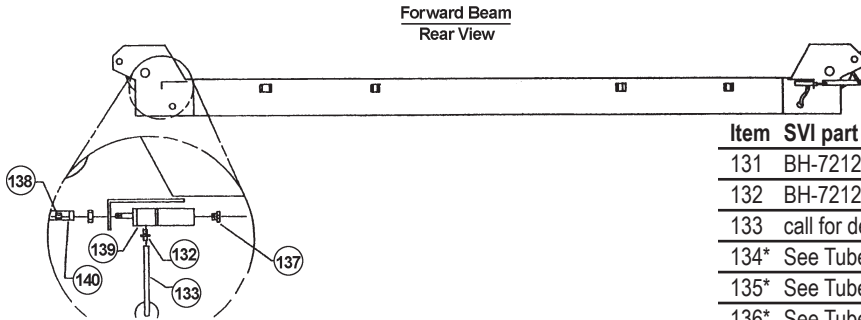


FP-12G and FP-12LR

**DIRECTFIT™**  
SVI's DIRECT FIT™ BRAND



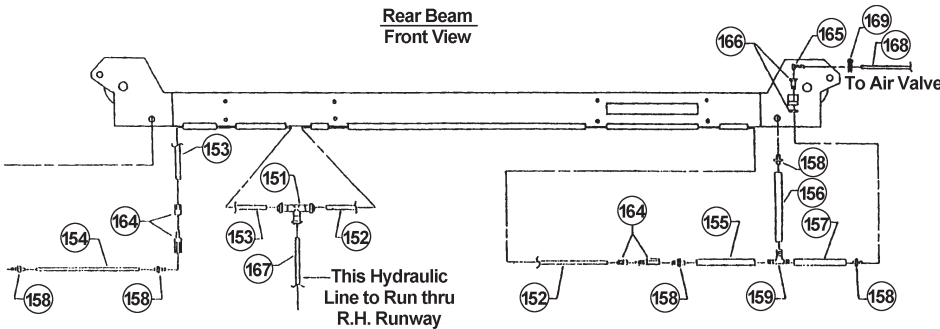
Forward Beam Line Assembly



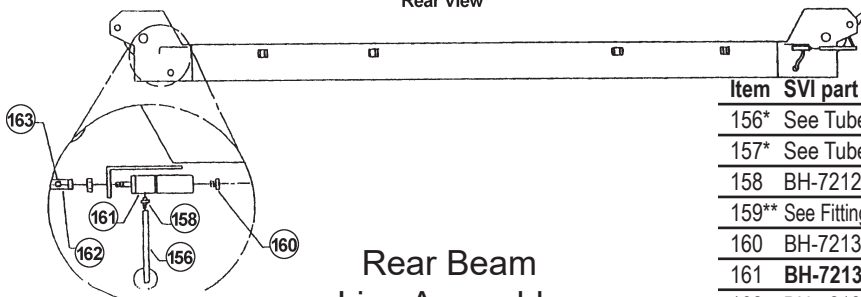
Item	SVI part #	OEM #	Description	Qty
131	BH-7212-65	500412	Union Tee	1
132	BH-7212-64	500392	Hose Fitting	4
133	call for details	500399-7	Hose-Rubber	2
134*	See Tube Book	500415-1	Polyethylene Tube	1
135*	See Tube Book	500415-3	Polyethylene Tube	1
136*	See Tube Book	500415-5	Polyethylene Tube	1
137	BH-7213-79	500376	Breather Muffler	2
138	F-NL-0250-28	1/4"-28	Nylon Insert Lock Nut	2
139	<b>BH-7213-60</b>	500068	Cylinder-Lock Rel.	2
140	BH-7213-65	500086	Rod-Lock Linkage	2
141	BH-7212-63	500411	Female Connector	2

\* See SVI's Air Line Tubing & Push-On Fittings Book (DSP7900)

\*\*See SVI's Hydraulic & Pipe Fittings Book (HPF1000)



Rear Beam Rear View



Rear Beam Line Assembly

Item	SVI part #	OEM #	Description	Qty
156*	See Tube Book	500399-3	Rubber Hose	1
157*	See Tube Book	500399-1	Rubber Hose	1
158	BH-7212-64	500392	Hose Fitting	5
159**	See Fittings Book	500414	Union Tee-Barb	1
160	BH-7213-79	500376	Breather Muffler	2
161	<b>BH-7213-60</b>	500068	Cylinder-Lock Release	2
162	BH-7213-65	500086	Rod-Lock Linkage	2
163	F-NL-0250-28	1/4"-28	Nylon Insert Lock Nut	2
164	BH-7212-63	500411	Female Connector	2
165	BH-7218-06	500413	Barb to Male Pipe	1
166	BH-7212-67	500417	Coupling-Anchor	1
167*	See Tube Book	500415-5	Polyethylene Tube	1
168*	See Tube Book	500399-9	72" Rubber Air Hose	1
169	BH-7212-66	500416	Clamp-Hose 3/8"	1

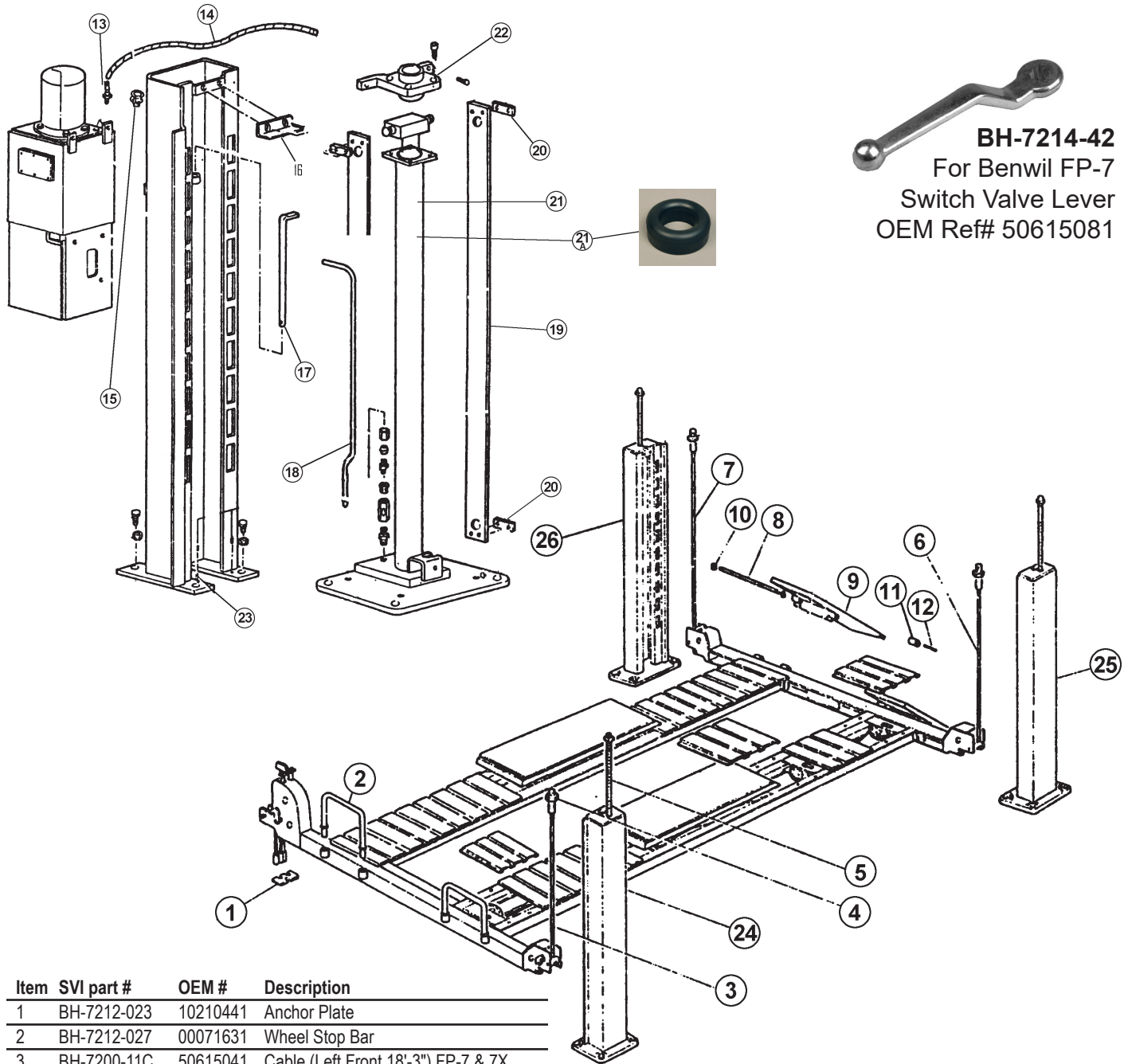
\* See SVI's Air Line Tubing & Push-On Fittings Book (DSP7900)  
\*\*See SVI's Hydraulic & Pipe Fittings Book (HPF1000)

Item	SVI part #	OEM #	Description	Qty
151	BH-7212-65	500412	Union Tee	1
152*	See Tube Book	500415-3	Polyethylene Tube	1
153*	See Tube Book	500415-1	Polyethylene Tube	1
154*	See Tube Book	500399-7	Rubber Hose	1
155*	See Tube Book	500399-5	Rubber Hose	1



For Four Post Models: FP-7 and FP-7X

**DIRECTFIT™**  
SVI's DIRECT FIT™ BRAND



**BH-7214-42**  
For Benwil FP-7  
Switch Valve Lever  
OEM Ref# 50615081

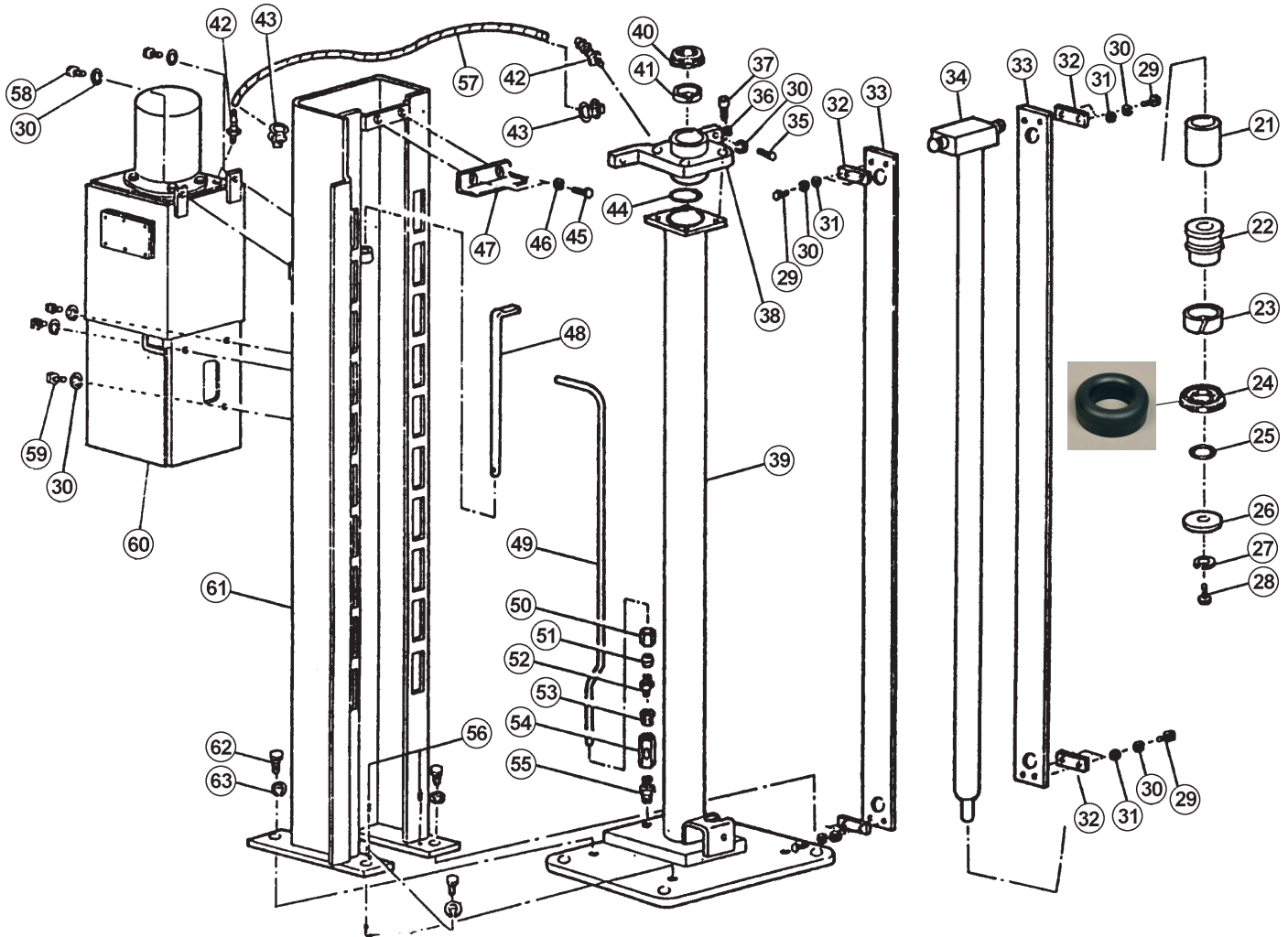
Item	SVI part #	OEM #	Description
1	BH-7212-023	10210441	Anchor Plate
2	BH-7212-027	00071631	Wheel Stop Bar
3	BH-7200-11C	50615041	Cable (Left Front 18'-3") FP-7 & 7X
4	BH-7207-16	10163981	Adjust Nut (included with cables)
5	BH-7212-007	00070241	Safety Bar
6	<b>BH-7200-13</b>	50615051	Cable (Left Rear 32' 8") FP-7 & 7X
7	BH-7200-17	50616071	Cable (Right Rear 37' 7") FP-7
	BH-7200-21	50617061	Cable (Right Rear 37' 10") FP-7X
8	BH-7212-070	10216151	Key Bar
9	BH-7212-025	00071651	Drive on Ramp/Plate
10	BH-7212-071	80845011	Snap Ring
11	BH-7212-072	10213581	Roller
12	BH-7212-073	90981050	Roll Pin
13	BH-7212-064	80812102	Joint Coupler
14	BH-7212-074	50618011	Flex Hose
15	BH-7212-075	80825112	Wire Hose Band

Item	SVI part #	OEM #	Description
16	BH-7212-076	10210061	Releasing Angle
17	BH-7212-053	10210721	Limit Bar
18	BH-7212-052	10215011	Pressure Pipe
19	BH-7212-040	10210371	Lift Plate
20	BH-7212-039	10210401	Key Plate
21	BH-7212-077	00070032	Cylinder
21A	<b>BH-7212-031</b>	50610361	Cylinder Seal Kit
22	BH-7212-047	10210352	Cylinder Cover
23	BH-7212-009	00070022	Driver Post
24	BH-7212-018	00070191	Follower Post "A" Not Available
25	BH-7212-016	00070211	Follower Post "C" Not Available
26	BH-7212-008	00070201	Follower Post "B" Not Available



FP-7 / 7S / 7X / 7XS

**DIRECTFIT™**  
SVI's DIRECT FIT™ BRAND

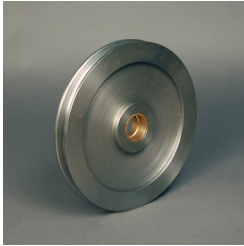


Item	SVI part #	OEM #	Description	Qty
21	call for details	10210382	Piston Rod Spacer	1
22	BH-7212-029	10210361	Piston	1
23	BH-7212-030	80804064	Wearing	1
24	<b>BH-7212-031</b>	50610361	Cylinder Packing	1
25	BH-7212-032	80800024	O-Ring	1
26	BH-7212-033	10210391	Piston Washer	1
27	BH-7224-59	90930412	Spring Washer	1
28	call for details	90901225	Hex Bolt	1
29	BH-7215-53	90910812	Hex Bolt	8
30	BH-7215-74	90930508	Spring Washer	15
31	BH-7224-100	90930708	Plain Washer	8
32	BH-7212-039	10210401	Key Plate	4
33	BH-7212-040	10210371	Lift Plate	2
34	BH-7212-041	00070061	Piston Rod	1
35	BH-7224-44	90910830	Hex Bolt	2
36	call for details	90930410	Spring Washer	4
37	call for details	90921040	Socket Head Cap Bolt	4
38	BH-7212-047	10210352	Cylinder Cover	1
39	BH-7212-048	00070041	Cylinder	1
40	BH-7212-042	80807050	Wiper Ring	1
41	BH-7212-043	80804050	Wearing	1

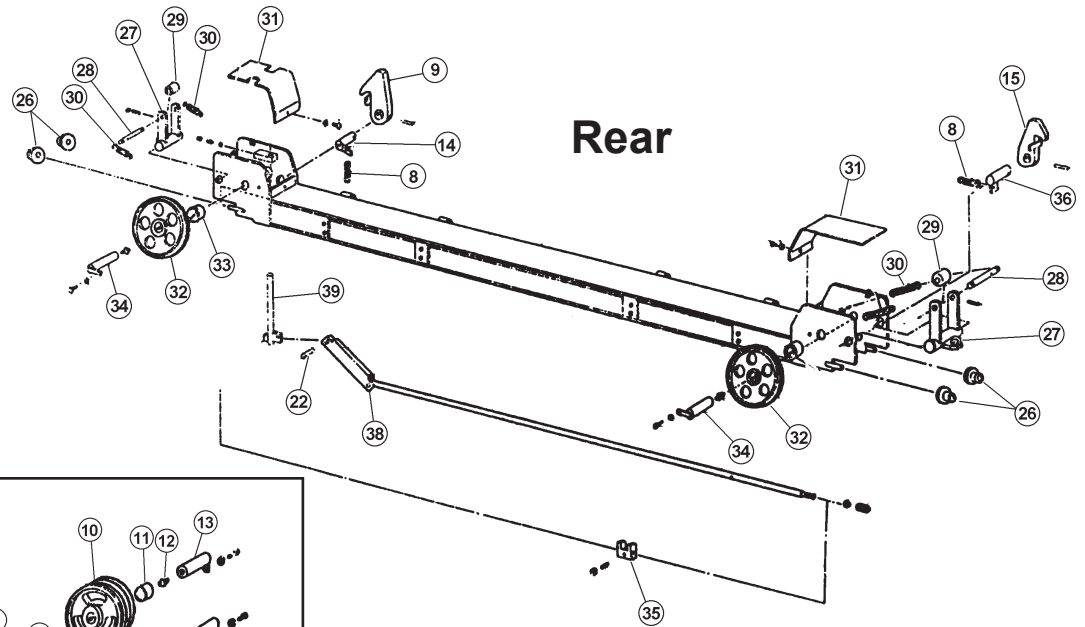
Item	SVI part #	OEM #	Description	Qty
42	BH-7212-064	80812102	Joint	2
43	call for details	80825112	Wire Hose Band	2
44	call for details	80800131	O-Ring	1
45	BH-7204-053	90911015	Hex Bolt	2
46	call for details	90930710	Plain Washer	2
47	call for details	10210061	Releasing Angle	1
48	BH-7212-053	10210721	Limit Bar	1
49	BH-7212-052	10215011	Pressure Pipe A	1
50	BH-7212-054	80813610	Nut	1
51	BH-7212-055	80814710	Sleeve	1
52	BH-7212-056	80814910	Connector	1
53	call for details	80814423	Bushing	1
54	BH-7211-61	80818540	In-Line Chk. Valve	1
55	call for details	80814501	Nipple	1
56	call for details	90961015	Socket Head Cap Bolt	4
57	call for details	50618011	Flex. Hose	1
58	call for details	90910820	Hex Bolt	2
59	BH-7224-104	90910815	Hex Bolt	3
60	N/A		Hydraulic Unit Assembly	1
61	call for details	00070022	Driver Post	1
62	call for details	90911225	Hex Bolt	4
63	call for details	90930512	Spring Washer	4

For Four Post Models: FP-7 and FP-7X

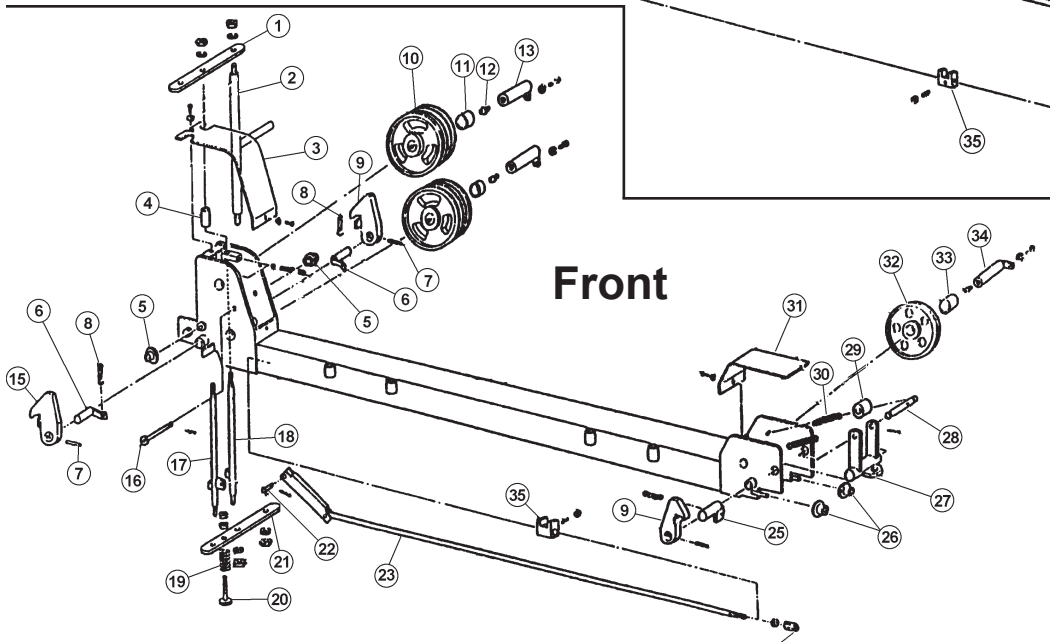
**DIRECTFIT™**  
SVI's DIRECT FIT™ BRAND



**BH-7212-159**  
(Ref 10211711)  
**Sub Pulley**



Rear



Front

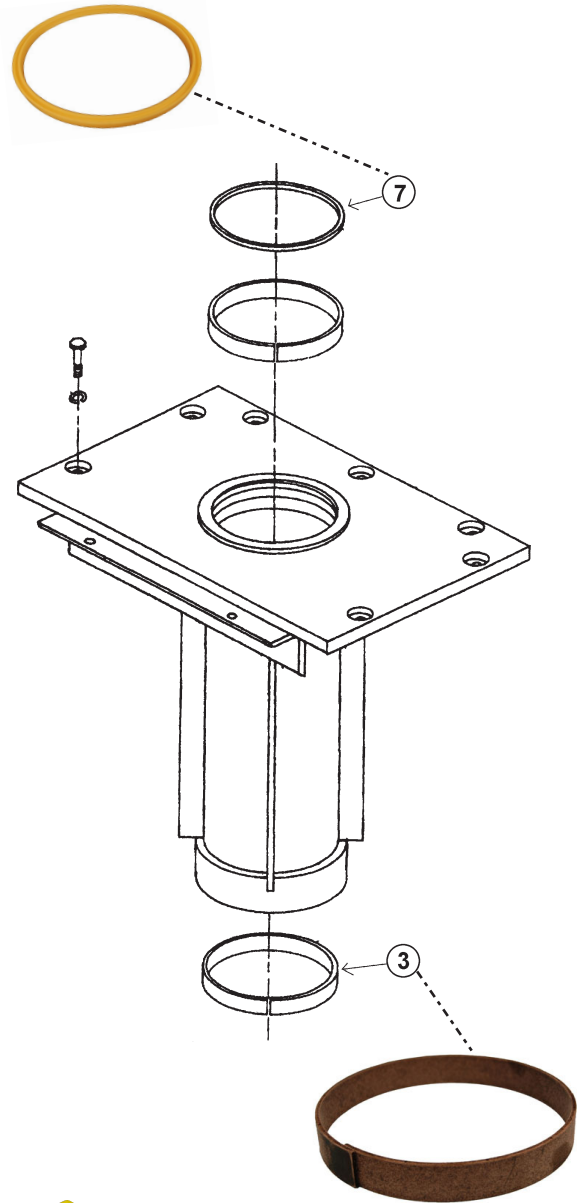
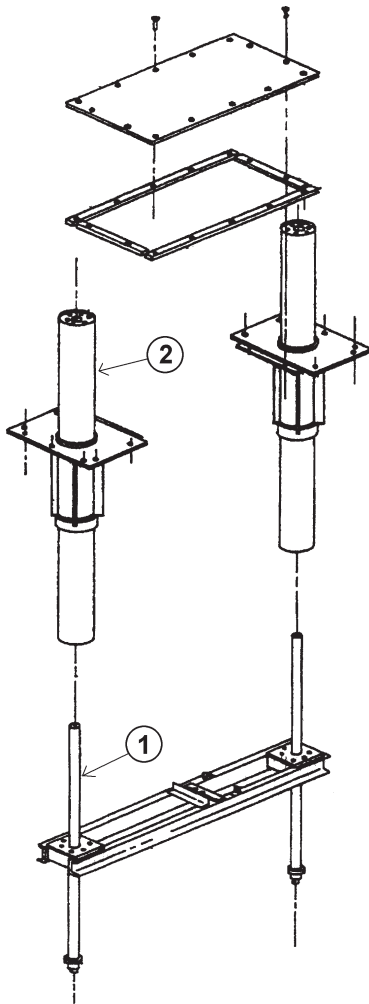
*Please verify pulley size when ordering.*

Item	SVI part #	OEM #	Description
1	BH-7212-196	10116251	Main Joint Bar
2	BH-7212-079	00071575	Hook Return Rod
3	BH-7212-195	10212911	Main Cover
4	BH-7212-194	10212812	Main Distance Collar
5	BH-7212-186	10213152	Main Guide Roller
6	BH-7212-190	00070491	Hook Shaft A Left and Right
7	BH-7212-080	90980535	Roll Pin
8	BH-7214-39	50612611	Safety Spring
9	BH-7212-172	00070471	Drive-On Hook Right
10	BH-7212-081	10212461	Main Pulley
11	BH-7212-192	10212161	Main Pulley Collar
12	BH-7212-187	80843025	Steel Ball
13	BH-7212-193	00070531	Main Pulley Shaft
14	BH-7212-090	00070681	Hook Shaft C
15	BH-7212-197	00070481	Drive-On Hook Left
16	BH-7212-184	00070551	Wire Stopper Left
17	BH-7212-182	00071555	Main Hook Operating Bar
18	BH-7212-181	00071565	Main Hook Operating Bar B
19	BH-7212-082	50615501	Hook Return Spring
20	BH-7212-083	10162722	Pin

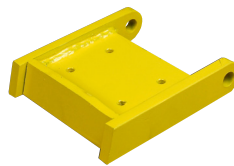
Item	SVI part #	OEM #	Description
21	BH-7212-084	10216241	Under Joint Bar
22	BH-7212-180	50501681	Pin
23	BH-7212-176	00070521	Main Hook Return Bar
24	BH-7212-085	10212821	Adjust Nut
25	BH-7212-170	00070511	Hook Shaft B.D. Left
26	BH-7212-164	10213162	Sub Guide Roller
27	BH-7212-163	00070431	Safety Lock Bracket
28	BH-7212-161	10212561	Safety Pulley Shaft
29	BH-7212-165	10212571	Safety Roller
30	BH-7212-166	50612561	Safety Lock Pull Spring
31	BH-7212-167	10213121	Sub Cover Plate
32	BH-7212-159	10211711	Sub Pulley
33	BH-7212-086	10212341	Sub Pulley Collar
34	BH-7212-157	00070541	Sub Pulley Shaft
35	BH-7212-087	10216131	Joint Clamp
36	BH-7212-231	00070671	Hook Bar B.D. Left
37	BH-7212-088	10213111	Sub Cover 10 Right
38	BH-7212-089	10216121	Sub Hook Return Bar
39	BH-7212-225	10216111	Sub Hook Operating Bar

# In-Ground GPI-9

**DIRECTFIT™**  
SVI's DIRECT FIT™ BRAND



Item	SVI part #	OEM #	Description
1	<b>BH-9020-09</b>	200010	Hydraulic Cylinder
2	BH-9020-01	200006	Plunger Assembly
3	<b>BH-9020-08</b>	200023	Wear Ring
4	BH-9020-11	200037	Lock Bar
5	BH-9020-12	200055	Pin Lock Assembly
6	<b>BH-9020-09K</b>	200010-SK	Seal Kit
7	<b>BH-9020-07</b>	200016	Wiper Ring
8	BH-9020-10	200370	Guide Post Wear Ring



**BH-9020-26**  
(Ref 200057)  
**Flip-Up Adapter  
for Benwil GPI-9**

**BH-7206-43** (not pictured)  
(Ref 200065)  
**Truck Adapter  
for Benwil GPI-9**

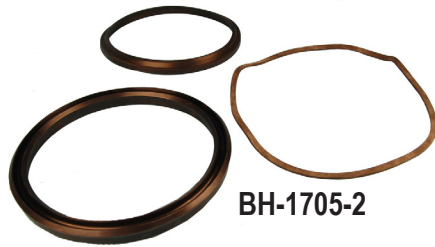
P  
a  
g  
e

*This is not a full listing of parts; please call SVI for any parts not listed.*



# In-Ground Lift Parts

**DIRECTFIT™**  
SVI's DIRECT FIT™ BRAND



BH-1705-2

## Hoist Packing

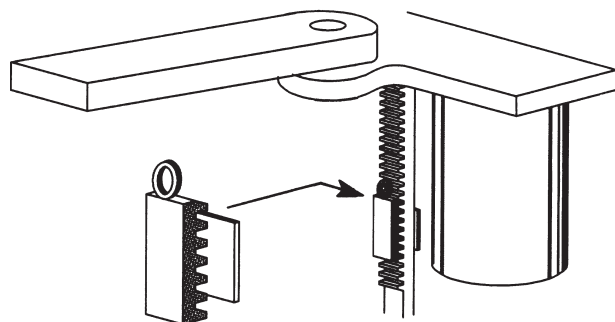
SVI part #	OEM #	Reference Information	Plunger Diameter	Contents & Descriptions SVI Lift Packing Kits
BH-1705-2	00005531	For all 8-5/8" Twin Post Hoists	8-5/8" TPG-8, TPG-8R, TPG-8A	1 - 8-5/8" ID Angled U Cup 1 - Rubber Gasket 1 - Synthetic Wiper
BH-1705	00005541	For all 10-5/8" Single Post Hoists	10-5/8" SPG-8, SPG-8A	1 - 10-5/8" ID Angled U Cup



BH-9011

## Rack Bars, Gears, Equalizer Assemblies

SVI part #	OEM #	Reference Information	Contents & Descriptions
BH-9011	10133912	Pinion Gear with 1-1/2" Hole and 3/8" keyway. Gear must be used with BH-9013-77 Equalizer Assembly If used with original assembly, some modification will be required.	1 - Pinion Gear (Synchronizing Gear)
BH-9012	10133472	Rack Bar for Standard or Metric Equalizer Shaft	1 - Rack Bar
BH-9012-01	00023161	Rack Guide Roller Assembly	Includes: Roller, Shaft, all hardware
BH-9013-77		77" Equalizer Assembly	Includes: Shaft, equalizer bearing assembly, spacers, retaining rings, gears, keys. Rack Bars sold separately
BH-9013-01	10146050	Equalizer Shaft Only	1 - 1-1/2" OD Shaft (Synchronizing)
BH-9013-02		Bearing Housing (Only for 1-1/2" shafts)	1 - Bearing Housing (1-1/2" ID)
BH-9013-04		External Snap Ring for 1-1/2" Shaft	1 - Snap Ring
BH-9013-10	80840501	Bearing Housing: 40 mm ID for use as direct replacement for OEM (not for BH-9013-77)	1 - Bearing Housing (40mm ID)



## Manual Style Rack Bar Locks

SVI Part #	Fits Rack Bar:
BH-9612ML	BH-9612 BH-9012

**Manual Rack Bar Locks (pair) for:**  
Side-by-Side Lifts  
w/ Square Rack Bar

**Please call us for other In-Ground parts not listed.  
We have Hydraulic Cylinders available and much more!**



# DIRECT FIT™ BRAND

## SVI International, Inc.

Catalogs and Information Online: [www.sviinternational.com](http://www.sviinternational.com)

**EASY TO ORDER:**  
**800-321-8173**  
**815-748-0200**  
Fax: 800-899-1784 • 815-748-0210  
E-Mail: [parts@sviintl.com](mailto:parts@sviintl.com)  
[www.sviinternational.com](http://www.sviinternational.com)

### AUTO LIFT REPAIR PARTS FOR ALL MAKES & MODELS

~NO MATTER THE AGE OF THE LIFT!

- Arm Restraint Kits & Parts
- Cables—Lifting and Equalizing
- Chain
- doorjammerPRO - Door Protection Pad
- Height Extensions and Rubber Pads
- Installation Products & Tools
- Power Units and Parts
- Pulleys and Chain Rollers
- Seal Kits for In-Ground & Surface Mount
- Safety Legs / Non-Rotators
- Replacement Lift Kits
- Power Post Lifting Systems
- Tanks for In-Ground Lifts
- Turf Attachments for 2-Post Lifts

### SURFACE MOUNT LIFT PARTS FOR:

Acanus	Gemini	Quality
Ammco®*	Gilbarco	Ranger
Alamo /	Globe	Ravaglioli
ASSSA	Grand	Rotary Lifts
ALM	Hofmann	Silent Tech
AMI	Hydralift	Slift
Ashawa	Ime Istobal	Somers Souriau
Ben Pearson	Kismet	Stenhoj
BendPak	Kimm	Stertil Koni
Benwil	Koni	Sun
Bishamon	Launch	Tecalemit
Boston	Laycock	Titan
Bradbury	Lincoln	Weaver
Cascos	Maha	Werther
Consul	Manitowoc Lifts	Western
Challenger	Mohawk	Westinghouse
Force	Nussbaum	Wheeltronic
Ford Smith	OMA	Worth
Forward	OMCN	Zippo
Fuchs/Zippo	PMW	

### IN-GROUND LIFT PARTS FOR:

Benwil	Gilbarco	PKS Lifts
Challenger	Globe	Rotary
Cochin	HDL/ISS Innovative	US Hoist
Curtis	Joyce	Weaver
Ford Smith	Manitowoc Lifts	Western

### AIR COMPRESSOR PARTS

- Air Receiver Tanks • Compressor Mufflers
- Automatic Tank Drain Valve for Champion Compressors
- Filters—Many OEM Ref Available!
- Filters, Regulators, Lubricators
- Intake Filter Products
- Milton Air System Products
- Re-Coil Hose • Valves
- Vibration Dampening Pads & much more!

### BRAKE LATHES REPAIR PARTS

- Brake Lathe Repair Parts and Accessories for All Makes 

### EXHAUST REMOVAL SYSTEMS & PRODUCTS

### FLUID DELIVERY

- Lenz Fittings
- Steel Hydraulic Line Tubing and Fittings
- Strut and Hangers

### HOSE REELS BY REELCRAFT®

### HYDRAULIC CYLINDERS—

- Custom Single-Acting Large Bore Cylinders
- Also see "Lifting Equipment"

### LIFTING EQUIPMENT

- New In-Ground Lifts—Car, Truck & Bus
- Small Equipment Shop Maintenance (SESM) Lifts for lifting Landscape Equip. ATVs / UTVs, Motorcycles, Lawn Mowers, Golf Carts and More!
- Custom Lifting Equipment incl. Production Line Lifts, Rail Car Lifts and More
- Custom Hydraulic Cylinders for Various Applications
- Turf Attachments for 2-Post Lifts
- In-Ground Lift Sections and Kits
- And more!

### LUBRICATION & PAINT / FOAM SPRAY REPAIR PARTS & KITS FOR:

- Alemite • ARO • Balcrank • Graco • Lincoln

### PETROLEUM EQUIPMENT & REPAIR PARTS FOR:

- Gas Pump & Meter Kits and Parts for Gasboy • Tokheim • Fill-Rite
- Including Parts for Older Pumps: Wayne • Bennett • Gilbarco • Bowser A.O. Smith (Geosource) • Southwest

### SEAL KITS

### SHOP EQUIPMENT

- Hein-Werner Products • Omega Products
- Porto-Power • Pro-Lift

### TIRE EQUIPMENT REPAIR PARTS

- Tire Changer and Wheel Balancer Parts for All Makes

Accu-Turn	FMC	Nussbaum
All Tool	Giuliano	Ranger
Ammco®*	Hofmann	Sicam
BaseLine®*	Hunter	Sice
Bosch	John Bean /	Snap-On
Cemb	(JBC)	Teco
Coats®*	Kwik-Way	Tuxedo
Corghi	Launch	

### VALVES

- Air Compressor Valves of All Types
- Air and Hoist Control Valves
- Ball Valves • Check Valves
- Kingston Valves • Pressure Relief Valves
- Relief Valves • Safety Valves
- Solenoid Valves
- Tire Changer Valves • And More!

### CUSTOM PRODUCTS

And let us know if you want something you use in your shop to be added to our product line!



In addition to SVI's DIRECT FIT™ BRAND, we are proud to be a one-stop shop for many other great products including:



and many more!

2 Ready-Ship Warehouses for Faster Shipping! | CHICAGO • LOS ANGELES

Main Office: 155 Harvestore Drive • DeKalb, IL 60115

All names, numbers, symbols and descriptions are used for reference purposes only. It is not implied that any part listed is the product of these manufacturers.

SVI does not represent and is not associated in any way with any other companies. Entire contents copyright © 8.10.23, SVI International, Inc. Prices subject to change without notice.

\*AMMCO, BASELINE, COATS and DUCKHEAD are registered trademarks of Hennessy Industries, Inc. SVI International, Inc. is not associated in any way with Hennessy Industries, Inc.



**TERMS AND CONDITIONS OF THE  
SALES ORDER  
FOR SVI INTERNATIONAL, INC.**

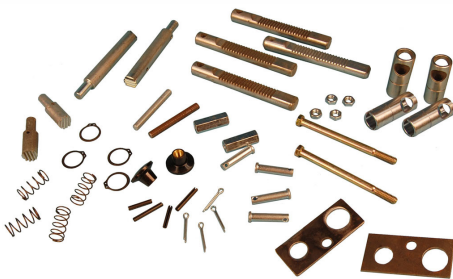
1. **GENERAL.** The terms and conditions of sales order outlined herein shall apply to the sale by SVI INTERNATIONAL, INC. (hereinafter referred to as "Company") of the items described on the facing page (hereinafter referred to as "Merchandise") to Purchaser.
2. **DELIVERY.** Delivery shall be deemed to be complete when the Merchandise has been shipped F.O.B. Company's plants in DeKalb, Illinois, and Montclair, California; ("Company's plants"). Shipments are subject to delays from causes or contingencies beyond the reasonable control of the Company. When otherwise not specified, shipments will be made in standard containers via carrier which, in the judgment of the Company, will result in the most practical method. Title and right of possession will pass to the Purchaser upon receipt by the carrier at the shipping point. If a customer of the Company should specify a specific carrier's method of shipment (i.e., UPS Next Day Air) and that carrier does not perform to the customer's expectations, freight credit to a customer's account will not be issued unless the Company can first obtain a credit.
3. **RISK OF LOSS.** Identification of the Merchandise under Uniform Commercial Code (hereinafter referred to as "UCC") Section 2-501 shall take place at the moment of shipment F.O.B. Company's plants. Risk of loss shall pass to the Purchaser when the Merchandise is shipped from the Company's plants.
4. **TITLE.** Title to the merchandise shall transfer to the Purchaser when the Merchandise is shipped from the Company's plants.
5. **WARRANTIES.** The Company guarantees its products to be free from defects in workmanship and raw materials for a period of one year from date of purchase. THIS WARRANTY IS EXPRESSLY IN LIEU OF ANY AND ALL WARRANTIES EXPRESS OR IMPLIED. COMPANY DOES NOT WARRANT THE MERCHANDISE IS MERCHANTABILITY OR FIT FOR ANY PARTICULAR PURPOSE. Company's liability for breach of the terms of this Agreement, including any warranty, is limited to either refund of the invoice price of the Merchandise or at Company's option, replacement of the Merchandise free of charge, including transportation charges but not including the cost of labor. Purchaser has not relied on any statement or upon the conduct of Company with respect to the prospective use of the merchandise. Company shall not be liable for, and Purchaser waives any and all claims for any loss or damage, directly or indirectly, arising from the use of the Merchandise and for punitive, incidental or consequential damages, including, but not limited to, damages to property, for loss of use, loss of time, loss of profit or loss of income. The Company does not authorize the sale of our products under any other warranty, expressed or implied. **Please note:** Electrical components and cylinder or shaft seals are not covered under warranty.
6. **SETOFF.** All claims for money due or to become due from the Company shall be subject to deduction by the Company for any setoff or counterclaim arising out of this or any other claims of the Company or its affiliated companies, whether such setoff or counterclaim arose before or after any assignment by Purchaser.
7. **INDEMNIFICATION.** Purchaser agrees to indemnify the Company and hold it harmless from and against all claims, liability, loss, damage, or expense, including reasonable counsel fees, arising from or by reason of any modifications or alterations made by Purchaser. If a customer of the Company modifies or alters any part, in any manner whatsoever, or uses any part in departure from recommended performance specifications, said customer agrees to indemnify and hold the Company harmless from and against all liability and expenses based on damage to property or injury to or death of any person arising out of or attributable to such modified or altered part. Further, the Company will not accept any such modified or altered part for credit to a customer's account.
8. **FREIGHT POLICY.** Freight charges are prepaid and added to invoice or collect FOB shipping point. Note: All customers are responsible for all carrier shipping costs, fees, surcharges, etc. including order refusal and return fees.
9. **RETURN POLICY.** To return a part for credit or inspection, Purchaser must first contact our Main Office in Illinois, to obtain a Return Merchandise Form. Once Purchaser has obtained this form, the parts can be returned freight prepaid only. The Return form must be included with the shipment. Parts returned to the Company without the approved form will be returned freight collect to the shipper or refused. Returns must be initiated within 30 days of the invoice date. The Return Forms are valid for 30 days, from the date of issue. All Returns are subject to restocking charges. Return parts brought into our remote warehouses, will not be accepted by our personnel, without a Return Merchandise Form from the Main Office. Parts which have been used in any way or manner, including any installation or incorporation into a lift, hoist, or other equipment, shall NOT be eligible for return whether or not a Return form has been assigned. **Please note:** Electrical parts or components are not returnable for credit. This includes all switches, pushbuttons, relays, electric motors, capacitors, fuses, solenoids, power units with wiring issues or any other electrical items. Custom, built to order, special order, and non-stocked genuine parts are non-returnable.
10. **RESTOCK CHARGE.** Returns are subject to a restocking charge. Refusals are subject to the same restocking charge plus the cost of outbound and return freight charges and/or fees incurred by the Company due to shipment refusal.
11. **PRICES AND PAYMENTS.** All prices are subject to change without notice. All prices are F.O.B. shipping point. The Company standard terms are net 30 days, C.O.D. company check, C.O.D. cash, VISA, MasterCard, Discover or American Express. However, if in the judgment of the Company, the financial condition of the Purchaser at any time does not justify shipment according to standard terms of payment, the Company may require full or partial payment in advance.
12. **INTERPRETATION.** This sales order is intended by the parties as a complete and exclusive statement of the terms of their agreement. It supersedes all prior agreements, written or oral. No course of prior dealings between the parties and no usage of the trade shall be relevant to supplement or explain any terms used in this sales order. Acceptance or acquiescence in a course of performance rendered under this purchase order shall not be relevant to determine the meaning of this sales order even though the accepting or acquiescing party has knowledge of the nature of the performance and opportunity for objection. Whenever a term defined by the UCC is used in this sales order the definition contained in the UCC shall control.
13. **MODIFICATION.** This sales order can be modified or rescinded only by a writing signed by both parties.
14. **WAIVER.** No claim or right arising out of a breach of this sales order can be discharged in whole or in part by a waiver or renunciation of the claim or right unless such waiver or renunciation is supported by consideration and is in writing signed by the aggrieved party.
15. **ASSIGNMENT.** No right or interest in this sales order shall be assigned by either party without the written consent of the other and no delegation of any obligation owed, or of the performance of any obligation by either the Company or Purchaser shall be made without the written consent of the other party. Any attempted assignment or delegation not made in conformity with this paragraph shall be wholly void and totally ineffective for all purposes.
16. **TIME TO PERFORM AND BRING ACTION.** Time is of the essence of this sales order. Any action for breach of this sales order shall be commenced within two (2) years after the cause of action has accrued. Any party who loses any litigation shall reimburse the other party for costs including reasonable attorney's fees. The exclusive jurisdiction for any legal action shall be the Circuit Court of DeKalb County, Illinois.
17. **APPLICABLE LAW.** This sales order shall be governed by the UCC of Illinois as effective and in force on the date of this sales order.



CHICAGO • LOS ANGELES



- Air Compressor Parts and Filters
- Auto Lift Parts for Any Brand
- Auto Lift Cables and Chain
- Auto Lift Power Units and Parts
- Auto Lift Sheaves / Pulleys and Chain Rollers
- Brake Lathe Repair Parts for All Makes
- Exhaust System Products
- Fluid Delivery Repair Parts
- Hose Reels and Hose Stops
- In-Ground Auto Lifts
- Lubrication Equipment Repair Parts
- Petroleum / Service Station Pump and Tank Products
- Repair Parts for Gasboy Consumer Series
- SESM Lifts for ATV/UTV, Golf Cart and More!
- Tire Changer Repair Parts
- Transfer Pumps
- Turf Attachments for 2-Post Lifts
- Vehicle Lifting Systems
- Wheel Balancer Accessories



## SVI International, Inc.

155 Harvestore Drive • DeKalb, IL 60115

**800-321-8173 • 815-748-0200**

Fax: 800-899-1784 • 815-748-0210

Entire contents copyright © 2023, SVI International, Inc.

Information and Catalogs Online:  
[www.sviinternational.com](http://www.sviinternational.com)