



DELIVERY SYSTEM PRODUCTS

Solenoid Valves



Product Delivery Control Solutions for Today's Most Popular Applications:

Automotive Service	Laundry Equipment
Car Dealerships	Heating Systems
Quick Lubes	Spraying Systems
Petroleum Products	Water Treatment
Industrial Plants	Pumps
Appliances	And Much More!

SVI International, Inc.

(800) 321-8173 • fax: (800) 899-1784

155 Harvestore Drive • DeKalb, IL 60115

www.sviinternational.com

BALTIMORE • CHICAGO • LOS ANGELES

Solenoid Valves

**Solenoid
Valves**

DSP2000B



Getting Started

Necessary Data for Selecting and/or Purchasing a Solenoid Valve.

Solenoid valves provide an easy, safe and economical solution for a great variety of security and control systems, though they are limited in respect to pressure, temperature, viscosity, flow and fluid corrosion and dirtiness. Choosing the right model demands attention to some data for the specific application:

Fluid Characteristics

The liquid or gaseous product to be handled must be clean and free from suspended foreign particles. Therefore, in order to guarantee continuous faultless service it is **essential** to place a **strainer** before the valve and very close to it, with a particle retention capacity of 100 microns or less.

Generally, viscosity shall not exceed SAE 10 at 30° C. However, some direct acting models may work with greater viscosity.

Another important aspect is the fluid compatibility with the valve materials that are in contact with it. For this reason, different materials are used to manufacture the body, seal, seat, diaphragm, piston, etc., for a single valve. Each valve series provides complete information.

Size and Type of Connection

Connection size is indicated in inches. Connection type depends on the specific use and application area. For General Use: threaded BSP or NPT. Flanged upon request.

Installation

The best valve position is over horizontal pipeline with the coil upright. For some models this is the only position acceptable.

Pressure Differential

Pressure differential, or pressure drop or charge loss, is the static pressure difference between the valve's inlet and outlet.

Maximum Operating Pressure Differential

The maximum operating pressure differential is the maximum difference in pressure between the inlet and outlet against which the solenoid can safely operate the valve.

Minimum Operating Pressure Differential

The minimum operating pressure differential is the minimum difference in pressure required to open a pilot operated valve and keep it open (Not required for direct acting or hung type valves)

Maximum Line Pressure

It is usually equal to the maximum operating pressure differential, except in cases of residual pressure or vacuum from the outlet, and is also defined as the line pressure to which the valve may be subjected without being damaged.

Hydraulic Test Pressure

It is the pressure at which the valve's design is tested, and equals 5 times the maximum line pressure. This safety factor securely prevents strain or breakage of the external components in case of accidental overpressure in the line.

Counterpressure

Two-way solenoid valves do not allow output pressure or counterpressure to be greater than the input pressure. In this case, it is necessary to use retention valves to prevent counterpressure from entering the circuit before the valve.

Operating Temperature

Each model indicates the maximum fluid temperature allowed for that specific valve.

There are two aspects related to this temperature: Construction materials and the coil thermal class. Ambient temperature is also relevant, since the sum of the fluid's heat absorbed by the coil when it exceeds 80° C and the heat generated by itself when energized, must be dissipated into the environment; so a high temperature can make this process difficult.

In these cases, it is advisable to place the valve in a ventilated area which shall not exceed 40° C.

If these conditions are not complied with, as a hard and fast rule, the following correction shall be used: Maximum temperature indicated in the valve + 30° C = fluid temperature + ambient temperature.

Ambient Conditions

Besides temperature, there are other factors to be considered, such as internal or external use, humidity, rain, water showers, corrosive, explosive or prone to flood environments. **M** and **G** size coils are often encapsulated, with DIN connections and IP65 protection (water and weather proof).

For explosive ambients, Jefferson manufactures encapsulated explosion and weather proof coils, according to IEC79-18m., ZC type. Non capsulated coils are used in valves that have a weather proof housing, **Y** type, weather and explosion proof, **Z** type, or internal use, **C** type.

Response Time

It is the period of time from the commutation of the electric signal to the moment the valve has arrived to 90% of its change of position. Solenoid valves are fast operating. Direct acting models open or close with air at 6 bar at a rate that ranges from 8 to 50 milliseconds (ms). Pilot operated valves are slower and range from 50 to 80 ms according to the model and size.

In some models, response time with liquids may double the response time with air, especially when closing. Jefferson can correct them according to service conditions upon request, by slightly modifying the standard valves.

For this reason, when response time is critical for the system where the valve is to be installed, we advise you to consult SVI's sales department.

Electric Power Supply

Since there is a special coil for each type of current and voltage with the exact power to operate upon a specific service condition, valves shall only be used with their technically appropriate coil. SVI supplies coils with a wide range of power, sizes, housing and connections for voltages from 12 to 440 V, alternating current of 50 Hz, 60 Hz and direct current. See Coils and Housings.

Flow and Flow Factor

There are formulas, diagrams and charts which are based on the valve's flow factor, in order to determine the flow of a fluid that goes throughout a valve in certain conditions such as pressure differential, fluid temperature, state, density, viscosity, etc. Call SVI for more info on how to calculate flow factor.



DIN 43650 Shape A

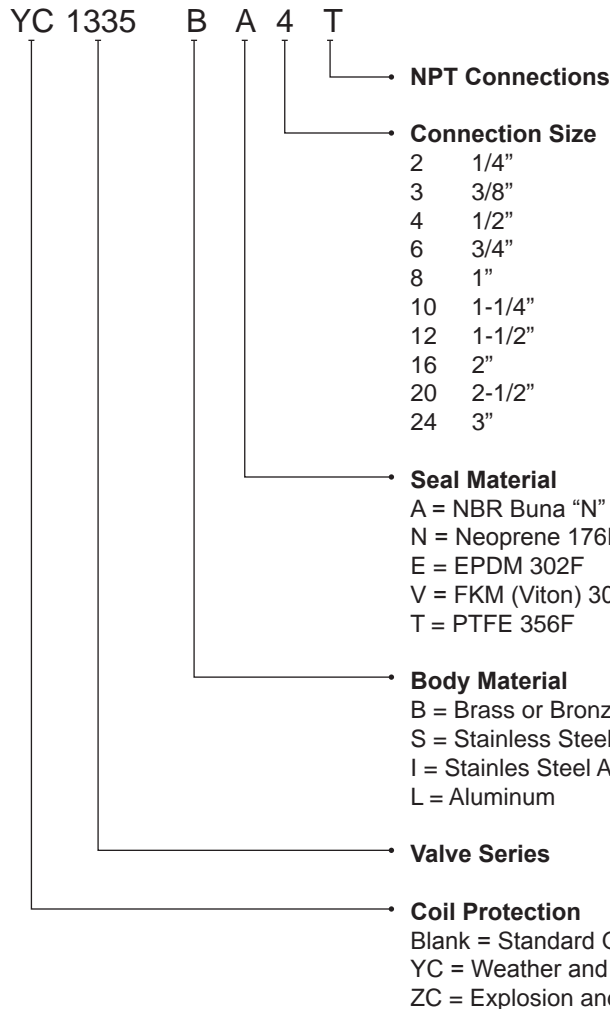


DIN 43650 Shape B



NEMA 4x
IEC 79-18m

Current	DIN43650 Connection-IP65 Integrated weather and humidity proof coil and housing. Plug-in connection with strain-relief or thread for 1/2" NPT conduit			NEMA 4x Integrated weather water and saline corrosion proof coil and housing		IEC 79-18 Integrated explosion, weather and saline corrosion proof coil and housing (prefix ZC)	
	Size G	Size M		Size M		Size M	
Hz	Shape B	Shape A		1/2" NPT connection		1/2" NPT connection	
	Class F 155 C	Class F 155 C	Class H 180 C	Class F 155 C	Class H 180 C	Class F 155C	Class H 180 C
D/C	GF06C	MF19C	MH19C	MF19Y	MH19Y	MF19Z	MH19Z
A/C 50 Hz	GF06C	MF11C	MH11C	MF11Y	MH11Y	MF11Z	MH11Z
		MF16C	MH16C	MF16Y	MH16Y	MF16Z	MH16Z
A/C 60 Hz	GF06C	MF20C	MH20C	MF20Y	MH20Y	MF20Z	MH20Z
		MF13C	MH13C	MF13Y	MH13Y	MF13Z	MH13Z
		MF16C	MH16C	MF16Y	MH16Y	MF16Z	MH16Z
		MF20C	MH20C	MF20Y	MH20Y	MF20Z	MH20Z



Available tensions							
Volts	12	24	48	110	120	220	240
D/C	Yes	Yes	Yes	Yes	No	Yes	No
50 Hz	Yes	Yes	Yes	Yes	No	Yes	Yes
60 Hz	Yes	Yes	Yes	Yes	Yes	Yes	Yes

**Once correct valve has been chosen,
pick coils from pages 19–20.**

**Not sure which valve you need?
Call SVI and fill out a request form, we'll tell you
which valve is best for your needs!**



Solenoid Valves

entire contents copyright © 2010 SVI International, Inc.

TOLL FREE:
800-321-8173

1342 Series



Main Characteristics:

- Normally Closed or Normally Open
- Pilot Operated
- Body: Forged brass or bronze, stainless steel, etc
- Shape A DIN 43650 connection encapsulated coils
- IP65 and NEMA 4 Protection
- Core tube: 304 s.s. Core spring: 302 s.s. Core: 430 F s.s.
- Shading coil: copper (brass body), silver (s.s. body)

Options:

- Energized coil indicator light
- Explosion and/or weather proof coils and housings
- Manual operator on main passage
- Manual operator on pilot orifice



Applications:

- Air & Inert Gases
- Water & Light Liquids
- Thermal Oils
- Steam
- Oxygen
- Gasoline

**Not sure which valve you need?
Call SVI and fill out a request form, we'll tell you
which valve is best for your needs!**

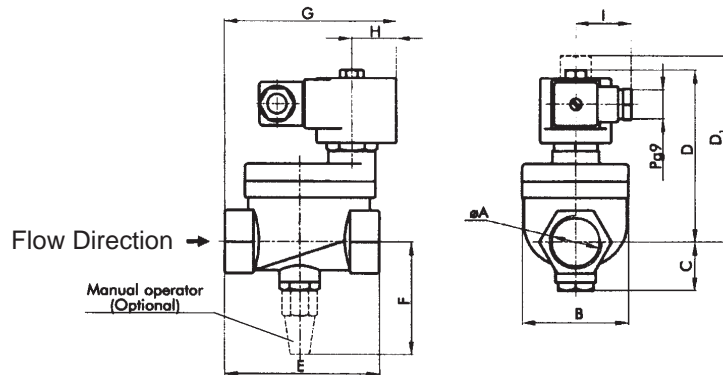
Operating pressure differential						
Type	Minimum		Maximum Steam		Maximum other fluids	
	Teflon (PTFE) psi	Others psi	Teflon seal (PTFE) psi	EPDM seal psi	Teflon seal (PTFE) psi	Other seals psi
NC	7.5	3	150	45	255 *	225 *
NO	7.5	3	150	45	150	150

* Advise: when using direct current (DC), a 25% reduction on the maximum operating pressure differential is expected

Technical specifications - brass body								
Pipe size (in)	Orifice size (in)	Flow factor (CV)	weight (lbs)	Maximum Temp and Catalog # according to seal material				
				Buna 80°C/176°F	Neoprene 80°C/176°F	EPDM 150°C/306°F	Viton (FKM) 150°C/306°F	Teflon (PTFE) 180°C/356°F
Normally Closed				SVI Part #	SVI Part #	SVI Part #	SVI Part #	SVI Part #
3/4	.79	6.9	2.6	J-1342BA06	J-1342BN06	J-1342BE06	J-1342BV06	J-1342BT06
1	1.02	13	3.8	J-1342BA08	J-1342BN08	J-1342BE08	J-1342BV08	J-1342BT08
1-1/2	1.50	29	6.8	J-1342BA12	J-1342BN12	J-1342BE12	J-1342BV12	J-1342BT12
2	1.97	47	9.0	J-1342BA16	J-1342BN16	J-1342BE16	J-1342BV16	J-1342BT16
2-1/2	3.00	77	4.2	J-1342BA20	J-1342BN20	J-1342BE20	J-1342BV20	J-1342BT20
3	3.00	99	4.0	J-1342BA24	J-1342BN24	J-1342BE24	J-1342BV24	J-1342BT24
Normally Open				SVI Part #	SVI Part #	SVI Part #	SVI Part #	SVI Part #
3/4	.79	6.9	2.6	J-1342BAO6INA	J-1342BNO6INA	J-1342BEO6INA	J-1342BVO6INA	J-1342BTO6INA
1	1.02	13	3.8	J-1342BAO8INA	J-1342BNO8INA	J-1342BEO8INA	J-1342BVO8INA	J-1342BTO8INA
1-1/2	1.50	29	6.8	J-1342BA12INA	J-1342BN12INA	J-1342BE12INA	J-1342BV12INA	J-1342BT12INA
2	1.97	47	9.0	J-1342BA16INA	J-1342BN16INA	J-1342BE16INA	J-1342BV16INA	J-1342BT16INA
2-1/2	3.00	77	4.2	J-1342BA20INA	J-1342BN20INA	J-1342BE20INA	J-1342BV20INA	J-1342BT20INA
3	3.00	99	4.0	J-1342BA24INA	J-1342BN24INA	J-1342BE24INA	J-1342BV24INA	J-1342BT24INA

P
a
g
e

For complete seal chemical compatibility, consult SVI.



	øA	B	C	D	D ₁	E	F	G	H	I
R 3/4"	2.05	1.02	4.09	4.49	2.80	2.68	3.31			
R 1"	2.64	1.18	4.25	4.65	3.78	2.83	4.09			
R 1.1/2"	3.19	1.42	4.69	5.08	4.49	3.11	4.80		1.06	1.38
R 2"	3.82	1.73	4.92	5.31	5.04	3.35	5.43			
R 2.1/2"-3"	6.42	3.50	8.43	8.82	8.82	6.69	5.28			

Measurements in inches



**Special Constructions:
Stainless Steel Body**

- AIS1304: change letter B for S in part #
- AIS1316: change letter B for I in part #

Options	Prefix	Suffix	Examples
Water, weather & saline corrosion proof coils	YC		YC1342BA08
Explosion and weather proof coils	ZC		ZC1342BA08
Weather proof housings	Y		Y1342BA08
Explosion & weather proof housings	Z		Z1342BA08
Manual operation: on main orifice		-M	1342BA08-M
Manual operator: on pilot orifice		-MP	1342BA08-MP
NPT Connections		T	1342BA08T
Energized coil indicator light	See Coils		

Coil Characteristics							
Electric Power Supply	Coil Type	Power W	VA		Maximum Temperature		Available Tensions
			Inrush	Holding	C	F	
AC 50 Hz	MF11C	11	40	22	155	311	1
	MH11C	11	40	22	180	356	1
AC 60 Hz	MF13C	13	45	27	155	311	2
	MH13C	13	45	27	180	356	2
DC	MH19C	19	19	19	180	356	3

1 = 12,24,110,220,240V 2 = 12,24,110,120,220,240 V 3 = 12,24,110,220 V

Application according to seal material					
Seal Material	Buna "N"	Neoprene	EPDM	Viton (FKM)	Teflon (PTFE)
Maximum Temperature	80°C/176°F	80°C/176°F	150°C/302°F	150°C/302°F	180°C/356°F
Uses	water, air, light oils, kerosene, low & medium vacuum	Oxygen, alcohol, argon, other non-corrosive light gases and liquids, Freon 12	Water steam, hot water, acetone	benzene, naphta, aromatics, etc. hot gases, high vacuum, diesel oil	steam, hot oils, corrosive fluids

Recommendations for installation:

- Place a strainer with a porosity of 140 Micron upstream of the valve
- Mount the valve preferably over horizontal pipeline with the coil upright
- The valve input pressure must always be greater than the output pressure
- In order to allow the normally closed or normally open valve to open, the minimum pressure indicated for each model must be respected



Coils

Valve Series	Voltage	Connector	SVI Part #	Description
2026 All	240V/AC60	Pg9	J-G42CB82U1	240V/AC60 or 220V/AC50 'G' overm. coil w/DIN con
	24V/AC50	Pg9	J-G32C033U1	'G' Overmold Coil w/DIN connector
	220V/AC60	Pg9	J-G41CB36U1	'G' Overmold Coil w/DIN connector
2036 All	120V/AC60	Pg9	J-G39C709U1	120 V/AC60 or 110V/AC500 'G' Overm. Coil w/DIN con
	24V/AC60	Pg9	J-G32C709U1	'G' Overmold Coil w/DIN connector
	24V/DC	Pg9	J-G34C087U1	'G' Overmold Coil w/DIN connector
	12V/DC	Pg9	J-G31C022U1	'G' Overmold Coil w/DIN connector
	36V/DC	Leads	J-G13T200U	'G' Overmold Coil with wires
	12V/DC	Leads	J-G31T022U	'G' Overmold Coil with wires

Valve Series	Voltage	Connector	SVI Part #	Description
1314 All Y1314 All Z1314 All	12V/DC	Leads	J-S92HZ364	'S' Coil w/Leads
	24V/DC	Leads	J-S65H0124R	'S' Coil w/Leads
	110V/DC	Leads	J-S30H254	'S' Coil w/Leads
	24V/AC60	Leads	J-SDOHY783	'S' Coil w/Leads
	120V/AC60	Leads	J-SH65C012U	'S' Coil w/Leads
	240-220V/AC60	Leads	J-SH45C044U	'S' Coil w/Leads
	24V/AC50	Leads	J-SDOHY84	'S' Coil w/Leads
	110V/AC50	Leads	J-SH65C014U	'S' Coil w/Leads
	220V/AC50	Leads	J-SH24C770U	'S' Coil w/Leads

Valve Series	Voltage	Connector	SVI Part #	Description	
1327 NC 1335 NC 1342 NC 1390 NC 1393 NC	120V/AC60	Pg9	J-MH25CO92U1	Overmold 'M' Coil w/pg9 DIN connector	
	240V/AC60	Pg9	J-MH18C384U1	Overmold 'M' Coil w/Pg9 DIN connector	
	12V/DC	Pg9	J-MH51CZ73U1	Overmold 'M' Coil w/Pg9 DIN connector	
	24V/DC	Pg9	J-MH36CO27U1	Overmold 'M' Coil w/Pg9 DIN connector	
	48V/DC	Pg9	J-MH25C103UR1	Overmold 'M' Coil w/Pg9 DIN connector	
	24V/AC50	Pg9	J-MH57CZ44U1	Overmold 'M' Coil w/Pg9 DIN connector	
	110V/AC50	Pg9	J-MH25C103U1	Overmold 'M' Coil w/Pg9 DIN connector	
	220V/AC50	Pg9	J-MH18C406U1	Overmold 'M' Coil w/Pg9 DIN connector	
	110V/DC	Pg9	J-MH17C578U1	Overmold 'M' Coil w/Pg9 DIN connector	
	12V/AC50	Pg9	J-MH81CZ11U1	Overmold 'M' Coil w/Pg9 DIN connector	
	24V/AC60	Pg9	J-MH57CZ40U1	Overmold 'M' Coil w/Pg9 DIN connector	
		120V/AC60	1/2" NPT	J-MH25CO92U3	Overmold 'M' Coil w/ 1/2" NPT DIN connector
		240V/AC60	1/2" NPT	J-MH18C384U3	Overmold 'M' Coil w/ 1/2" NPT DIN connector
		12V/DC	1/2" NPT	J-MH51CZ73U3	Overmold 'M' Coil w/ 1/2" NPT DIN connector
		24V/DC	1/2" NPT	J-MH36CO27U3	Overmold 'M' Coil w/ 1/2" NPT DIN connector
		48V/DC	1/2" NPT	J-MH25C103UR3	Overmold 'M' Coil w/ 1/2" NPT DIN connector
		24V/AC50	1/2" NPT	J-MH57CZ44U3	Overmold 'M' Coil w/ 1/2" NPT DIN connector
		110V/AC50	1/2" NPT	J-MH25C103U3	Overmold 'M' Coil w/ 1/2" NPT DIN connector
		220V/AC50	1/2" NPT	J-MH18C406U3	Overmold 'M' Coil w/ 1/2" NPT DIN connector
	110V/DC	1/2" NPT	J-MH17C578U3	Overmold 'M' Coil w/ 1/2" NPT DIN connector	
	12V/AC50	1/2" NPT	J-MH81CZ11U3	Overmold 'M' Coil w/ 1/2" NPT DIN connector	
	24V/AC60	1/2" NPT	J-MH57CZ40U3	Overmold 'M' Coil w/ 1/2" NPT DIN connector	

Valve Series	Voltage	Connector	SVI Part #	Description
YC1327 NC YC 1335 NC YC 1342 NC YC 1390 NC YC 1393 NC	120V/AC60	Conduit Leads YC	MH25YO92U	Overmold 'M' Coil conduit w/leads NEMA 4.x
	240V/AC60	Conduit Leads YC	MH18Y384U	Overmold 'M' Coil conduit w/Leads NEMA 4.x
	12V/DC	Conduit Leads YC	MH51YZ73U	Overmold 'M' Coil conduit w/Leads NEMA 4.x
	24 V/DC	Conduit Leads YC	MH36YO27U	Overmold 'M' Coil conduit w/Leads NEMA 4.x
	24 V/AC50	Conduit Leads YC	MH57YZ44U	Overmold 'M' Coil conduit w/Leads NEMA 4.x
	110 V/AC50	Conduit Leads YC	MH25Y103U	Overmold 'M' Coil conduit w/Leads NEMA 4.x
	220 V/AC50	Conduit Leads YC	MH18Y406U	Overmold 'M' Coil conduit w/Leads NEMA 4.x
	110 V/DC	Conduit Leads YC	MH17Y578U	Overmold 'M' Coil conduit w/Leads NEMA 4.x
	12 V/AC 50	Conduit Leads YC	MH81YZ11U	Overmold 'M' Coil conduit w/Leads NEMA 4.x
	24 V/AC60	Conduit Leads YC	MH57YZ40U	Overmold 'M' Coil conduit w/Leads NEMA 4.x

Coils continued on following page



Coils

Valve Series	Voltage	Connector	SVI Part #	Description
ZC1327 NC ZC1335 NC ZC 1342 NC ZC 1390 NC ZC 1393 NC	120V/AC60	Conduit Leads ZC	J-MH25ZO92U	Overmold 'M'Coil conduit w/leads Expl. Proof
	240V/AC60	Conduit Leads ZC	J-MH18Z384U	Overmold 'M'Coil conduit w/leads Expl. Proof
	12V/DC	Conduit Leads ZC	J-MH51ZZ73U	Overmold 'M'Coil conduit w/leads Expl. Proof
	24 V/DC	Conduit Leads ZC	J-MH36ZO27U	Overmold 'M'Coil conduit w/leads Expl. Proof
	24 V/AC50	Conduit Leads ZC	J-MH57ZZ44U	Overmold 'M'Coil conduit w/leads Expl. Proof
	110 V/AC50	Conduit Leads ZC	J-MH25Z103U	Overmold 'M'Coil conduit w/leads Expl. Proof
	220 V/AC50	Conduit Leads ZC	J-MH18Z406U	Overmold 'M'Coil conduit w/leads Expl. Proof
	110 V/DC	Conduit Leads ZC	J-MH17Z578U	Overmold 'M'Coil conduit w/leads Expl. Proof
	12 V/AC 50	Conduit Leads ZC	J-MH81ZZ11U	Overmold 'M'Coil conduit w/leads Expl. Proof
24 V/AC60	Conduit Leads ZC	J-MH57ZZ40U	Overmold 'M'Coil conduit w/leads Expl. Proof	

Valve Series	Voltage	Connector	SVI Part #	Description
1327 NO 1335 NO 1342 NO 1390 NO 1393 NO	120 V/AC60	Pg9	J-MH25CO92UI1	Overmold 'M' N. Open coil w/pg9 DIN connector
	240V/AC60	Pg9	J-MH18C384UI1	Overmold 'M' N. Open coil w/pg9 DIN connector
	12V/DC	Pg9	J-MH51CZ73UI1	Overmold 'M' N. Open coil w/pg9 DIN connector
	24V/DC	Pg9	J-MH36CO27UI1	Overmold 'M' N. Open coil w/pg9 DIN connector
	48V/DC	Pg9	J-MH25C103UIT1	Overmold 'M' N. Open coil w/pg9 DIN connector
	24V/AC50	Pg9	J-MH57CZ44UI1	Overmold 'M' N. Open coil w/pg9 DIN connector
	110V/AC50	Pg9	J-MH25C103UI1	Overmold 'M' N. Open coil w/pg9 DIN connector
	220V/AC50	Pg9	J-MH18C406UI1	Overmold 'M' N. Open coil w/pg9 DIN connector
	110V/DC	Pg9	J-MH17C578UI1	Overmold 'M' N. Open coil w/pg9 DIN connector
	12V/AC50	Pg9	J-MH81CZ11UI1	Overmold 'M' N. Open coil w/pg9 DIN connector
	24V/AC60	Pg9	J-MH57CZ40UI1	Overmold 'M' N. Open coil w/pg9 DIN connector
	120 V/AC60	1/2" NPT	J-MH25CO92UI3	Overmold 'M' N. Open coil w/1/2" NPT DIN connector
	240V/AC60	1/2" NPT	J-MH18C384UI3	Overmold 'M' N. Open coil w/1/2" NPT DIN connector
	12V/DC	1/2" NPT	J-MH51CZ73UI3	Overmold 'M' N. Open coil w/1/2" NPT DIN connector
	24V/DC	1/2" NPT	J-MH36CO27UI3	Overmold 'M' N. Open coil w/1/2" NPT DIN connector
	48V/DC	1/2" NPT	J-MH25C103UIR3	Overmold 'M' N. Open coil w/1/2" NPT DIN connector
	24V/AC50	1/2" NPT	J-MH57CZ44UI3	Overmold 'M' N. Open coil w/1/2" NPT DIN connector
	110V/AC50	1/2" NPT	J-MH25C103UI3	Overmold 'M' N. Open coil w/1/2" NPT DIN connector
	220V/AC50	1/2" NPT	J-MH18C406UI3	Overmold 'M' N. Open coil w/1/2" NPT DIN connector
	110V/DC	1/2" NPT	J-MH17C578UI3	Overmold 'M' N. Open coil w/1/2" NPT DIN connector
	12V/AC50	1/2" NPT	J-MH81CZ11UI3	Overmold 'M' N. Open coil w/1/2" NPT DIN connector
	24V/AC60	1/2" NPT	J-MH57CZ40UI3	Overmold 'M' N. Open coil w/1/2" NPT DIN connector

Valve Series	Voltage	Connector	SVI Part #	Description
YC1327 NO YC1335 NO YC1342 NO YC1390 NO YC1393 NO	120 V/AC60	Conduit Leads YC	J-MH25Y092UI	Overmold 'M' N. Open coil conduit w/leads NEMA 4.x
	240V/AC60	Conduit Leads YC	J-MH18Y384UI	Overmold 'M' N. Open coil conduit w/leads NEMA 4.x
	12V/DC	Conduit Leads YC	J-MH51YZ73UI	Overmold 'M' N. Open coil conduit w/leads NEMA 4.x
	24V/DC	Conduit Leads YC	J-MH36YO27UI	Overmold 'M' N. Open coil conduit w/leads NEMA 4.x
	24V/AC50	Conduit Leads YC	J-MH57YZ44UI	Overmold 'M' N. Open coil conduit w/leads NEMA 4.x
	110V/AC50	Conduit Leads YC	J-MH25Y103UI	Overmold 'M' N. Open coil conduit w/leads NEMA 4.x
	220V/AC50	Conduit Leads YC	J-MH18Y406UI	Overmold 'M' N. Open coil conduit w/leads NEMA 4.x
	110V/DC	Conduit Leads YC	J-MH17Y578UI	Overmold 'M' N. Open coil conduit w/leads NEMA 4.x
	12V/AC50	Conduit Leads YC	J-MH81YZ11UI	Overmold 'M' N. Open coil conduit w/leads NEMA 4.x
	24V/AC60	Conduit Leads YC	J-MH57YZ40UI	Overmold 'M' N. Open coil conduit w/leads NEMA 4.x

Valve Series	Voltage	Connector	SVI Part #	Description
ZC1327 NO ZC1335 NO ZC1342 NO ZC1390 NO ZC1393 NO	120 V/AC60	Conduit Leads ZC	J-MH25ZO92UI	Overmold 'M' N. Open coil w/Leads Explosion Proof
	240V/AC60	Conduit Leads ZC	J-MH18Z384UI	Overmold 'M' N. Open coil w/Leads Explosion Proof
	12V/DC	Conduit Leads ZC	J-MH51ZZ73UI	Overmold 'M' N. Open coil w/Leads Explosion Proof
	24V/DC	Conduit Leads ZC	J-MH36ZO27UI	Overmold 'M' N. Open coil w/Leads Explosion Proof
	24V/AC50	Conduit Leads ZC	J-MH57ZZ44UI	Overmold 'M' N. Open coil w/Leads Explosion Proof
	110V/AC50	Conduit Leads ZC	J-MH25Z103UI	Overmold 'M' N. Open coil w/Leads Explosion Proof
	220V/AC50	Conduit Leads ZC	J-MH18Z406UI	Overmold 'M' N. Open coil w/Leads Explosion Proof
	110V/DC	Conduit Leads ZC	J-MH17Z578UI	Overmold 'M' N. Open coil w/Leads Explosion Proof
	12V/AC50	Conduit Leads ZC	J-MH81ZZ11UI	Overmold 'M' N. Open coil w/Leads Explosion Proof
	24V/AC60	Conduit Leads ZC	J-MH57ZZ40UI	Overmold 'M' N. Open coil w/Leads Explosion Proof

Page 20

**TERMS AND CONDITIONS OF THE
SALES ORDER
FOR SVI INTERNATIONAL, INC.**

1. **GENERAL.** The terms and conditions of sales order outlined herein shall apply to the sale by SVI INTERNATIONAL, INC. (hereinafter referred to as "Company") of the items described on the facing page (hereinafter referred to as "Merchandise") to Purchaser.
2. **DELIVERY.** Delivery shall be deemed to be complete when the Merchandise has been shipped F.O.B. Company's plants in DeKalb, Illinois, Duarte, California; and Baltimore, Maryland ("Company's plants"). Shipments are subject to delays from causes or contingencies beyond the reasonable control of the Company. When otherwise not specified, shipments will be made in standard containers via carrier which, in the judgment of the Company, will result in the most practical method. Title and right of possession will pass to the Purchaser upon receipt by the carrier at the shipping point. If a customer of the Company should specify a specific carrier's method of shipment (i.e. UPS Next Day Air) and that carrier does not perform to the customer's expectations, freight credit to a customer's account will not be issued unless the Company can first obtain a credit.
3. **RISK OF LOSS.** Identification of the Merchandise under Uniform Commercial Code (hereinafter referred to as "UCC") Section 2-501 shall take place at the moment of shipment F.O.B. Company's plants. Risk of loss shall pass to the Purchaser when the Merchandise is shipped from the Company's plants.
4. **TITLE.** Title to the merchandise shall transfer to the Purchaser when the Merchandise is shipped from the Company's plants.
5. **WARRANTIES.** The Company guarantees its products to be free from defects in workmanship and raw materials for a period of one year from date of purchase. THIS WARRANTY IS EXPRESSLY IN LIEU OF ANY AND ALL WARRANTIES EXPRESS OR IMPLIED. COMPANY DOES NOT WARRANT THE MERCHANDISE IS MERCHANTABILITY OR FIT FOR ANY PARTICULAR PURPOSE. Company's liability for breach of the terms of this Agreement, including any warranty, is limited to either refund of the invoice price of the Merchandise or at Company's option, replacement of the Merchandise free of charge, including transportation charges but not including the cost of labor. Purchaser has not relied on any statement or upon the conduct of Company with respect to the prospective use of the merchandise. Company shall not be liable for and Purchaser waives any and all claims for any loss or damage, directly or indirectly, arising from the use of the Merchandise and for punitive, incidental or consequential damages, including, but not limited to, damages to property, for loss of use, loss of time, loss of profit or loss of income. The Company does not authorize the sale of our products under any other warranty, expressed or implied.
6. **SETOFF.** All claims for money due or to become due from the Company shall be subject to deduction by the Company for any setoff or counterclaim arising out of this or any other claims of the Company or its affiliated companies, whether such setoff or counterclaim arose before or after any assignment by Purchaser.
7. **INDEMNIFICATION.** Purchaser agrees to indemnify the Company and hold it harmless from and against all claims, liability, loss, damage or expense, including reasonable counsel fees, arising from or by reason of any modifications or alterations made by Purchaser. If a customer of the Company modifies or alters any part, in any manner whatsoever, or uses any part in departure from recommended performance specifications, said customer agrees to indemnify and hold the Company harmless from and against all liability and expenses based on damage to property or injury to or death of any person arising out of or attributable to such modified or altered part. Further, the Company will not accept any such modified or altered part for credit to a customer's account.
8. **FREIGHT POLICY.** Freight charges on individual orders less than \$3,000 in net value are prepaid and added to invoice or collect F.O.B. shipping point. Freight charges (standard ground service and continental US only) on individual orders more than \$3,000 net value are paid by the Company F.O.B. shipping point. Note: customers with C.O.D. terms are responsible for all carrier C.O.D. fees regardless of order net value.
9. **RETURN POLICY.** To return parts for credit or inspection Purchaser must first contact the Company to obtain a Return Goods Authorization number (RGA#). Once Purchaser has obtained an RGA# the parts can be returned freight prepaid only. The RGA# must be on the outside of the container in a highly visible location. All parts must be returned freight prepaid and the shipment must include a letter of explanation giving the specific reason for return including details as to the conditions under which the part or parts operated. Note: parts returned without an RGA#, freight collect or without written explanation may be refused. Parts which have been used in any way or manner, including any installation or incorporation into a lift or hoist, shall NOT be eligible for return whether or not an RGA has been assigned.
10. **RESTOCK CHARGE.** Returns are subject to up to twenty-five (25%) restocking charge. Refusals are subject to the same restocking charge plus the cost of outbound and return freight charges and/or fees incurred by the Company due to shipment refusal.
11. **PRICES AND PAYMENTS.** All prices are subject to change without notice. All prices are F.O.B. shipping point. The Company standard terms are net 30 days, C.O.D. company check, C.O.D. cash, VISA, MasterCard, Discover or American Express. However, if in the judgment of the Company, the financial condition of the Purchaser at any time does not justify shipment according to standard terms of payment, the Company may require full or partial payment in advance.
12. **INTERPRETATION.** This sales order is intended by the parties as a complete and exclusive statement of the terms of their agreement. It supersedes all prior agreements, written or oral. No course of prior dealings between the parties and no usage of the trade shall be relevant to supplement or explain any terms used in this sales order. Acceptance or acquiescence in a course of performance rendered under this purchase order shall not be relevant to determine the meaning of this sales order even though the accepting or acquiescing party has knowledge of the nature of the performance and opportunity for objection. Whenever a term defined by the UCC is used in this sales order the definition contained in the UCC shall control.
13. **MODIFICATION.** This sales order can be modified or rescinded only by a writing signed by both parties.
14. **WAIVER.** No claim or right arising out of a breach of this sales order can be discharged in whole or in part by a waiver or renunciation of the claim or right unless such waiver or renunciation is supported by consideration and is in writing signed by the aggrieved party.
15. **ASSIGNMENT.** No right or interest in this sales order shall be assigned by either party without the written consent of the other and no delegation of any obligation owed, or of the performance of any obligation by either the Company or Purchaser shall be made without the written consent of the other party. Any attempted assignment or delegation not made in conformity with this paragraph shall be wholly void and totally ineffective for all purposes.
16. **TIME TO PERFORM AND BRING ACTION.** Time is of the essence of this sales order. Any action for breach of this sales order shall be commenced within two (2) years after the cause of action has accrued. Any party who loses any litigation shall reimburse the other party for costs including reasonable attorneys fees. The exclusive jurisdiction for any legal action shall be the Circuit Court of DeKalb County, Illinois.
17. **APPLICABLE LAW.** This sales order shall be governed by the UCC of Illinois as effective and in force on the date of this sales order.

Offering the Best in Automotive Lift Repair Parts and More!

Auto Lift Cables • Auto Lift Parts • Brake Lathe Repair Parts

Compressed Air Repair Parts • Exhaust System Products • Fluid Delivery Repair Parts

Lubrication Equipment Repair Parts • Repair Parts for Gasboy Consumer Series

Service Station Pump and Tank Products • SVI Misc Auto Lift Products and Catalogs

Tire Changer Repair Parts • Vehicle Lifting Systems • Wheel Balancer Accessories

Serving the Industry Since 1977 • Same-Day Shipping



SVI International, Inc.

(800) 321-8173 • fax: (800) 899-1784

155 Harvestore Drive • DeKalb, IL 60115

www.sviinternational.com

BALTIMORE • CHICAGO • LOS ANGELES

While the utmost care has been used in compiling this reference material, we assume no responsibility for errors. Specifications are subject to change without notice. This edition supersedes all previous editions or issues. SVI reference material is subject to change without notice. All rights reserved.