

Automotive Lift

R E P A I R P A R T S



SVI International, Inc.
(800) 321-8173 • fax: (800) 899-1784
155 Harvestore Drive • DeKalb, IL 60115
www.sviinternational.com

BALTIMORE • CHICAGO • LOS ANGELES

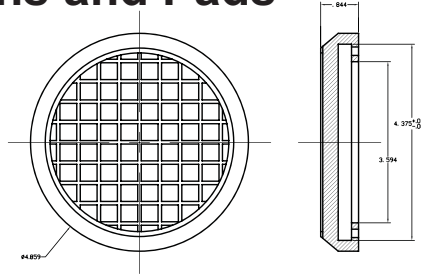
Rotary

Repair Parts for:

Repair Parts for:
Rotary
LRC7500I



Height Extensions and Pads



(Kit Shown)

BH-7536-96

Replaces OEM#
FJ6214 / FJ6182 / FJ6159ZN
**Rubber Pad Adapter Base
with pad** (for SPOA7 / SPO9RA)
Order Kit (shown): **BH-7536-97K**



BH-7542-66

**Round Thread Up
Adapter with Pad**
Replaces OEM# FJ6202
Order Kit: **BH-7542-66PK**



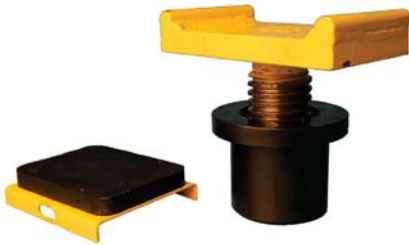
BH-7542-66P

Pad for Rotary



BH-7504-58

**Adapter Assembly
2" OD For Rotary**
Replaces OEM#
FJ6159ZN



BH-7536-51

**Rubber Adapter
For Rotary**
Replaces OEM#
FJ7822-2

BH-7536-50

**U Adapter Assembly
For Rotary**
Replaces OEM#
FJ7822-1



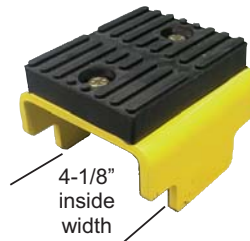
BH-9755-70AR
Designed for SPO/SPOA lift models. These truck extensions lock in and encapsulate the entire high and low step assembly placing the load directly over the adapter swivel pin. This provides maximum stability and a proper method to reach the lifting points on F350 and 3500 series trucks. There are many different inner arm configurations found on SPO and SPOA models.

Please specify exact lift model when ordering or inquiring.



BH-7500-90

Replaces OEM# FJ6137
**Adapter and Mounting
Rack Kit** (kit of 4)



BH-7500-80-1
**Swing Arm Adapter
for Rotary**



BH-7502-01

Replaces OEM# FJ697
Rubber Pad Adapter (Low)

Also Available Replacing
OEM# FJ698: **BH-7502-06** (High)

For more information, please see our Height Extensions and Rubber Pads catalog.



Seal Kits for 2- and 4-Post Surface Lifts

| For Lift Models Part # | SVI Seal Kit Part # | SVI Cylinder Part # |
|---|---|---|
| SP70 and SP74 | BH-7511-09 | BH-7503-95 |
| SP80 to SP80-3 SP84 to SP84-7 | BH-7511-12 BH-7511-14 BH-7511-11 | BH-7511-01 |
| SP55, SP80-4, SP80-5, SP84-8, SP84-9, SP84-10, SP84-11, SP84-16, SPO84, SPOA84, AR94, SP94, SPO94, SPOA84LC | BH-7511-10* BH-7511-11** BH-7511-10U*** BH-7511-10E (blue seal only) | BH-7511-06 |
| AR98, ARO98, SPO82, SPOA82, SP88, SP98, SPO88, SPOA88, DCOA7, SPOA98 | BH-7511-10* BH-7511-11** BH-7511-10U*** BH-7511-10E (blue seal only) | BH-7511-03 |
| AR9, ARO9, SP7, SPO7, SPOA7, SP9, SPO9, SPOA9, TLO7 | BH-7511-10* BH-7511-11** BH-7511-10U*** BH-7511-10E (blue seal only) | BH-7508-53 |
| SPO12-10 | BH-7511-10* BH-7511-11** BH-7511-10U*** BH-7511-10E (blue seal only) | BH-7508-53 |
| SPO10, SPOA10 | BH-7545-11 68" Stroke/Rise | BH-7545-15 |
| A7IP, SPO10, SPOA10, A10IB, A10IP, SPO40, SPO54, S10IB, S10IP | BH-7545-13 71" Stroke/Rise | BH-7545-12 |
| SPO12, SPO15, SPO18 | BH-7535-24* BH-7535-25** | BH-7535-26 |
| SPAKC7, SPOA7LC | BH-7535-30 | BH-7535-31 |
| FLS12, FLS15 | BH-7512-22SK | BH-7516-23 |
| AR90, AR91, SM90, SM91, CWA90 | BH-7513-01* BH-7513-02** | BH-7517-17 (clevis style) BH-7513-61 (bracket style) |
| AR120, AR121, SM101, SM120 SM121, CWA120, QL4P | BH-7501-63* BH-7501-64** | BH-7517-18 |
| AR123, SM123, SMO123, etc. | BH-7531-42U | BH- |
| AR122, ARO122, SM122, QL4P | BH-7531-42 | BH-7517-18 |
| SM181 | BH-7531-69 | BH-7531-65 |
| SM250, SM500m, SM600 | BH-7531-24A | BH-7531-24 |

BH-7511-09



BH-7511-12



BH-7511-14



BH-7511-10



BH-7511-11



BH-7511-10U • Universal



BH-7545-11



BH-7545-13



BH-7535-24



BH-7535-25



BH-7535-30



BH-7512-22SK

*picture
not on file*

BH-7513-01



BH-7513-02



* This cylinder will have the word "PACOMA" stamped on the barrel.
 ** This cylinder will have no markings or TH or TX, which means it was produced by Texas Hydraulic.
 *** Universal Seal Kit; It contains all of the seals from both kits. Carry this kit and be ready, regardless.

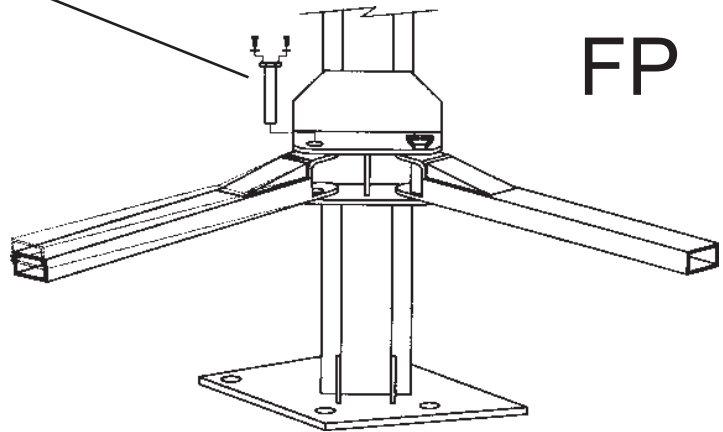
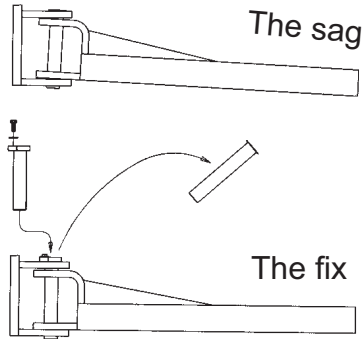
All names, numbers, symbols and descriptions are used for reference purposes only. It is not implied that any part listed is the product of these manufacturers; however, some parts may be the actual product of these manufacturers.

**(Seal Kit Pictures Continue
on the Following Page)**



SVI Exclusive solution...

Sag-stopping arm pins for Rotary lifts.



SVI is constantly working to solve age and wear related issues on lift models.

One example we have encountered and successfully addressed is arm sag on many two post surface mount lifts. The arm sag problem is commonly found on lifts where the swing arm mounts inside the carriage arm support plates. In this style design, the bottom arm support plate on the carriage acts as a pivot point. Meaning, the top plate experiences inward load pressure resulting in the arm pin wearing and elongating the top hole. This results in unwanted arm sag and concerns most lift owners.

Thanks to SVI “FP” style arm pins with top positioning fixed plate for Rotary lifts, arm sag can be eliminated or reduced.

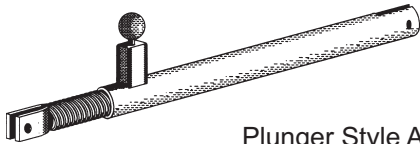
Installation only requires a level, a drill, drill bits, 3/8”-16 tap, two 3/8”-16 x 1” grade 8 capscrews and two 3/8” lockwashers per arm.

Fasteners included.

| Part # | Replace What | For Model | OAL Length |
|--------------|--------------|-----------|------------|
| BH-7505-14FP | FJ7838 | SP7 | 8.56” |
| BH-7505-14FP | FJ7838 | SP9 | 8.56” |
| BH-7505-14FP | FJ7838 | SPO7 | 8.56” |
| BH-7502-60FP | FJ7453-4 | SPO7 | 6.00” |
| BH-7505-14FP | FJ7838 | SPO9 | 8.56” |
| BH-7502-60FP | FJ7453-4 | SPO9 | 6.00” |
| BH-7505-15FP | FJ7834 | SPOA7 | 7.50” |
| BH-7505-14FP | FJ7838 | SPOA9 | 8.56” |
| BH-7502-02FP | FJ7152 | SPOA84 | 7.30” |
| BH-7502-02FP | FJ7152 | SPOA88 | 7.30” |
| BH-7503-36FP | FJ7501 | SPOA98 | 8.44” |
| BH-7502-12FP | | | 7.00” |

Installation is simple:

- 1) Level all four arms so adapter pad contact is equal at all four lifting points and brace in place.
- 2) Insert new “FP” arm pin and push to back (toward carriage) of arm pin hole in the carriage top arm support plate.
- 3) With the pin in position drill and tap the holes right through the bolt holes, using them as your guide.
- 4) Screw in the bolts and tighten, you’re finished. Mission accomplished, arm sag neutralized and another happy lift owner thanks to SVI.



Rotary Arm Restraints



Plunger Style Arm Restraints

Gear Style Arm Restraints

| | SP55, SP84, SPO84, SP94, SPO94 | SPOA84 | SP88, SPO88, SP98, SPO98 | SPOA88, SPOA98 | SPO7 | SPOA7, SPO9, SPOA9, SPO12 | SPO7, SPO9, SPOA7 & SPOA9 -200 series | SPOA10 -500 |
|-------------|---|--------------------------------------|---|--------------------------------------|--------------------------------|--|--|-------------------------------------|
| SETS | BH-7508-12 For 1 Lift (FJ7233) | BH-7508-13 For 1 Lift (FJ7259) | BH-7508-14 For 1 Lift (FJ7359) | BH-7508-15 For 1 Lift (FJ7366) | BH-7508-21 Order 4 per lift | BH-7508-22 Order 4 per lift | BH-7508-22A Order 4 per lift | BH-7508-42 For 1 Lift (N2148) |
| LF | BH-7508-04 (FJ7516) | BH-7508-07 (FJ7519) | BH-7503-50 (FJ7522) | BH-7508-01F (FJ7524) | BH-7508-21 | BH-7508-22 | BH-7508-22A | |
| RF | BH-7508-05 (FJ7517) | BH-7508-06 (FJ7518) | BH-7503-50 (FJ7522) | BH-7508-01F (FJ7524) | BH-7508-21 | BH-7508-22 | BH-7508-22A | |
| RR | BH-7508-04 (FJ7516) | BH-7508-09 (FJ7521) | BH-7503-50 (FJ7522) | BH-7508-01R (FJ7523) | BH-7508-21 | BH-7508-22 | BH-7508-22A | |
| LR | BH-7508-05 (FJ7517) | BH-7508-08 (FJ7520) | BH-7503-50 (FJ7522) | BH-7508-01R (FJ7523) | BH-7508-21 | BH-7508-22 | BH-7508-22A | |

Retrofit Kits

for lifts that never had arm restraints

| | | |
|----------------------|--------------------|----------|
| SP94 / SPO94: | BH-7507-73 | (FJ7254) |
| SP84 / SPO84: | BH-7508-12A | (FJ7252) |
| SPOA84: | BH-7507-98 | (FJ7276) |

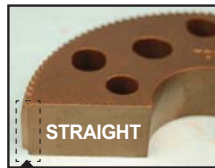
Common Arm Restraint Parts

| | | |
|---------------|-----------|---|
| BH-7503-45 | FC134-91 | Ball |
| BH-7503-46 | FC134-89 | Spring |
| BH-7503-47 | FJ7233-25 | Plunger |
| BH-7504-57 | GP1019 | Ball/Spring/Plunger Kit |
| BH-7503-48 | FJ7233-22 | Clevis Pin |
| F-CV-375-1250 | FJ7359-2 | Clevis Pin |
| BH-7536-60 | FJ7831 | Arm Restraint Gear (SPO15/18) Inner Diameter 1.8" |
| BH-7536-60A | FJ7831 | Arm Restraint Gear - Adj. (SPO15/18) Inner Diameter 1.8" |
| BH-7545-16 | N2122 | Arm Restraint Gear Inner Diameter 1.375" |
| BH-7545-17 | N2121 | Arm Restraint Engage Gear |
| BH-7508-16 | FJ7750 | Arm Restraint Gear |
| BH-7508-16A | N2122 | Arm Restraint Gear - Adj. |
| BH-7508-16SA | N2122 | Arm Restraint Gear - Super Adj. |
| BH-7508-17 | FJ7749 | Arm Restraint Engage Gear |



BEVELED

BEVELED
EDGE

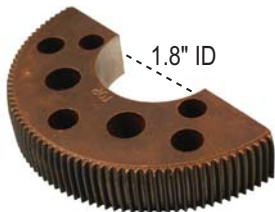


STRAIGHT

STRAIGHT
EDGE

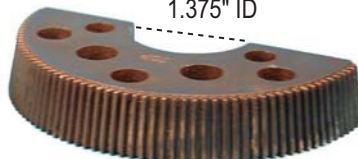
BH-7536-60

1.8" ID



ENGAGE GEAR
(shown: BH-7545-17)

1.375" ID



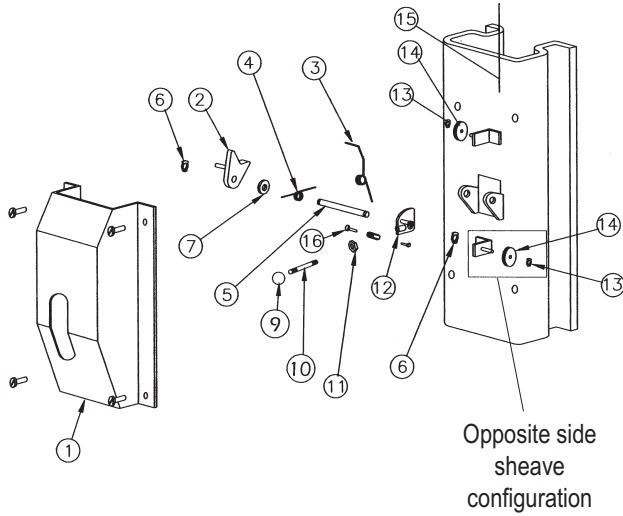
GEAR
(shown: BH-7545-16)

**To ensure the proper fit:
NEVER mix straight edge with a beveled edge.**

**For SPO15 / SPO18:
Confirm inner diameter / lift model when ordering.**



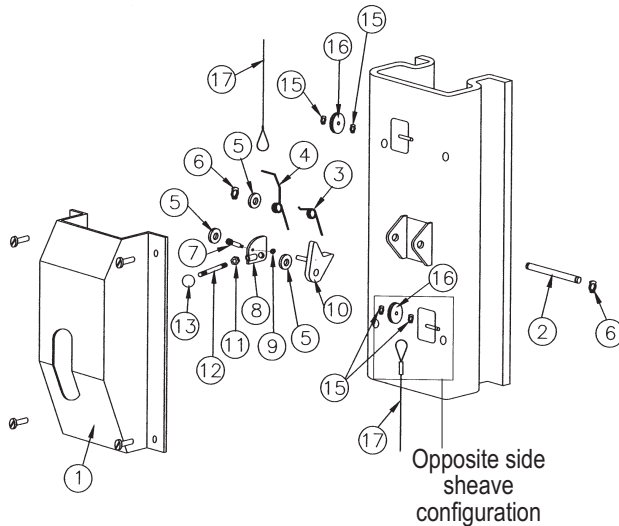
Lock Parts for SPO7 & SPO9



For more information on Lock Parts, please see the "Common Lock Latching Kits and Parts" section.

| Item | SVI part # | OEM # | Req | Description |
|------|-------------------|-----------------|-----|--|
| 1 | BH-7504-51 | GP1010 | 1 | Latch Cover Kit w/ Screws |
| | F-MS-0312-18-0375 | | | 5/16-18 x 3/8 Machine Screw |
| 2 | BH-7503-14 | FJ7382-7 | 1 | Lock Latch Pawl |
| 3-7 | BH-7503-11 | FJ7382-3 | 1 | Lock Shaft / Spring Kit |
| 9 | BH-7503-45 | FC134-91 | 1 | Red Ball |
| 10 | BH-7503-17 | FJ7382-18 | 1 | Lock Release Handle |
| 11 | F-JN-0375-16 | | 1 | 3/8" Jam Nut |
| 12 | BH-7503-41 | FJ7594-3 | 1 | Latch Cable Adjuster Kit (Includes parts 12, 15a & 16) |
| 13 | BH-7510-16 | 41410 | 2 | Ext. Retaining Ring 5304-37 |
| 14 | BH-7501-26 | FJ7322 | 2 | Lock Cable Sheave |
| 15a | BH-7501-24 | FJ7594-1 | 1 | Lock Release Cable |
| 15b | BH-7535-21 | FJ7600 | 1 | Lock Release Cable (SPO9 EH-4) |

Lock Parts for SPOA7 & SPOA9



| Item | SVI part # | OEM # | Req | Description |
|------|-------------------|-----------------|-----|---|
| 1 | BH-7504-51 | GP1010 | 1 | Latch Cover Kit w/ Screws |
| | F-MS-0312-18-0375 | | | 5/16-18 x 3/8 Machine Screw |
| 2-6 | BH-7503-11 | FJ7382-2 | 1 | Lock Latch Shaft / Spring Kit |
| 7 | BH-7503-41 | FJ7595 | | Latch Cable Adjuster Kit (Includes parts 7, 8 & 17) |
| 8 | BH-7503-40 | FJ7594-2 | 1 | Latch Control Plate Assembly |
| 9 | F-LN-0250-20 | | 1 | 1/4-20 Lock Nut |
| 10 | BH-7503-14 | FJ7382-7 | 1 | Lock Pawl |
| 11 | F-JN-0375-16 | | | 3/8-16 Jam Nut |
| 12 | BH-7503-17 | FJ7382-18 | 1 | Lock Release Handle |
| 13 | BH-7503-45 | FC134-91 | 1 | Red Ball |
| 15 | BH-7510-16 | | 4 | Ext. Retaining Ring 5304-37 |
| 16 | BH-7501-26 | FJ7322 | | Lock Cable Sheave |
| 17 | BH-7501-24 | FJ7595-1 | 1 | Locking Latch Release Cable |

For more information on Lock Parts, please see the "Common Lock Latching Kits and Parts" section.





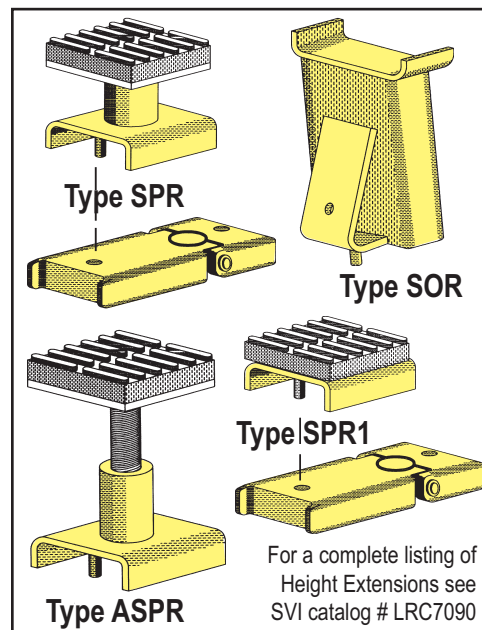
Models SPO9 / SPOA7 / SPOA9 (including EH-1, EH-2 and EH-4)

| Item | SVI part# | OEM# | Req | Description |
|------------|-----------------------|----------------------|-----|---|
| 1 | BH-7528-94 | N69 | 2 | Cable Guide |
| 2* | call for details | N45 | 2 | Column Ext. (SPOA7 / SPO9) |
| | call for details | N410 | 2 | Column Ext. (SPOA9) |
| | call for details | N46 | 2 | Column Ext. (EH-1) |
| | call for details | N47 | 2 | Column Ext. (EH-2) |
| | call for details | N49 | 2 | Column Ext. (SPO9EH-4) |
| 3* | call for details | N719 | 1 | Left Column |
| KIT | BH-7508-22/22A | FJ7888 | | Arm Restraint Kit (for 1 arm) |
| 4 | BH-7508-20 | FJ7985-1 | 4 | Arm Restraint Release Loop |
| 5 | BH-7528-07 | N121-1 | 4 | Arm Restraint Pin |
| 6 | BH-7528-06 | N119-3 | 4 | Ext. Retaining Ring |
| 7 | BH-7535-58 | FJ7656-2 | 4 | Arm Restraint Spring |
| 8 | BH-7508-17 | FJ7749 | 4 | Arm Restraint Engage Gear |
| 9 | BH-7500-50 | SVI Exclusive | 6 | Sheave, steel |
| | BH-7500-50N | FJ7116-1 | 6 | Sheave, nylon |
| 10 | BH-7500-62A | 41411 | | Ext. Retaining Ring 5304-75 |
| 11 | BH-9701 | FF729 | 1 | 15" Wide Reach Wheel Spotter |
| | BH-9702 | SVI Exclusive | 1 | 15" Wide Reach Dual Spotter |
| 12 | BH-7510-03 | FJ7360 | 8 | Slider Block (cup style) |
| | BH-7515-65 | FJ5106 | 2 | Shim and Slider Kit (1 carriage) |
| 13* | call for details | N729 | 1 | Right Column |
| 14 | BH-7512-41 | FJ837 | 1 | Power Unit Hose |
| 15 | BH-7535-69 | FJ7668 | 1 | Tee |
| 16 | BH-7006-01 | | 1 | Power Unit |
| 17 | BH-7502-33 | N119-1 | | Sheave Cover |
| 18 | BH-7507-40 | FJ7206 | | Holder |
| 21 | BH-7500-49B | 41388 | 4 | Spacer 1-1/2" x .045 thick |
| 22 | BH-7500-68 | FJ7444-8 | 2 | Sheave Shaft |
| 23 | BH-7500-62A | 41411 | | Ext. Retaining Ring 5304-75 |
| 24 | BH-7501-24 | FJ7595-1 | 1 | Lock Latch Release Cable |
| 25/26 | BH-7542-62 | N444BL | 1 | L/R OH Assembly for 10" Col. (blue) |
| | BH-7528-88 | N448BL | 1 | L/R OH Assembly for 12" Col. (blue) |
| | BH-7542-62R | N444RD | 1 | L/R OH Assembly for 10" Col. (red) |
| | BH-7528-89 | N448RD | 1 | L/R OH Assembly for 12" Col. (red) |
| 27 | BH-7512-19 | FJ838 | 1 | Overhead Hydraulic Hose (SPOA7) |
| | BH-7512-21 | FJ840 | 1 | OH Hyd. Hose (SPOA7EH1) |
| | BH-7512-22 | FJ841 | 1 | OH Hyd. Hose (SPOA7EH2) |
| | BH-7512-20 | FJ839 | 1 | OH Hyd. Hose (SPOA9/SPO9) |
| | BH-7512-23 | FJ842 | 1 | OH Hyd. Hose (SPOA9/SPO9-EH1) |
| | BH-7512-24 | FJ843 | 1 | OH Hyd. Hose (SPOA9/SPO9-EH2) |
| | BH-7512-26 | FJ845 | 1 | OH Hyd. Hose (SPO9EH-4) |
| 28 | BH-7500-22 | FJ7449 | 2 | Equalizer Cable (SPOA7) |
| | BH-7534-95 | FJ7545 | 2 | Equalizer Cable (SPOA7EH-1) |
| | BH-7500-46 | FJ7546 | 2 | Equalizer Cable (SPOA7EH-2) |
| | BH-7500-41 | N33 | 2 | Equalizer Cable (SPOA9) |
| | BH-7528-74 | N34 | 2 | Equalizer Cable (SPOA9EH-1) |
| | BH-7528-75 | N35 | 2 | Equalizer Cable (SPOA9EH-2) |
| | BH-7500-23 | FJ7450 | 2 | Equalizer Cable (SPO9) |
| | BH-7534-97 | FJ7547 | 2 | Equalizer Cable (SPO9EH-1) |
| | BH-7500-28 | FJ7528 | 2 | Equalizer Cable (SPO9EH-2) |
| | BH-7500-29 | FJ7601 | 2 | Equalizer Cable (SPO9EH-4) |
| 29 | call for details | | 2 | Bleeder (specify mfg.) |
| 30 | BH-7508-53 | FJ7664 | 2 | Hydraulic Cylinder |
| 31 | BH-7503-29 | FJ7871 | | Spacer |

200 Series

| Item | SVI part# | OEM# | Req | Description |
|--------|-----------------------|----------------------|-----|--|
| 32 | BH-7508-34 | FJ7613-2 | 1 | Overhead Limit Bar |
| 33 | BH-7503-65 | FJ7613-1 | 1 | OH Limit Switch In Housing |
| 34 | BH-7004-19 | P461-2 | 1 | Microswitch |
| 35/36* | BH-7528-42 | N239 | 2 | Rear Arm (SPOA7) |
| | BH-7528-38 | N238 | 2 | Rear Arm (SPOA9) |
| | BH-7528-47 | N241 | 2 | Rear Arm (SPO9) |
| | BH-7528-44 | N240 | 2 | Front Arm (SPOA7) |
| | BH-7528-36 | N237 | 2 | Front Arm (SPOA9) |
| | BH-7528-47 | N241-1 | 2 | Front Arm (SPO9) |
| 37/38 | BH-7077-02-2 | SVI Exclusive | 1 | doorjammerPRO protection 24" (2) |
| | BH-7077-02-2S | SVI Exclusive | 1 | doorjammerPRO protection 12" (2) |
| 39 | BH-9755-25L | FJ79-6 | 4 | Adapter Swivel Pin |
| 40 | BH-9755-20 | FJ671-1 | 4 | High Step Ductile Iron Adapter |
| | BH-9789-98 | FJ697 | 4 | Rubber Pad Adapter for Flip-Up |
| 41 | BH-9755-22 | FJ671-3 | 4 | Adapter Pivot Pin |
| 42 | BH-9755-26 | FJ671-6 | 8 | Hog Ring Clip |
| 43* | BH-7537-55 | N89 | 2 | Carriage |
| 44 | F-CP-187-2000 | 41250 | 4 | 3/16" x 2" Cotter Pin |
| 45 | BH-7505-14 | FJ7838 | 4 | Arm Swivel Pin |
| | BH-7505-14FP | SVI Exclusive | 4 | Arm Swivel Pin (fixes arm sag) |
| 47 | BH-9755-21 | FJ671-2 | 4 | Low Step Ductile Iron Adapter |
| 48 | BH-7508-16A/SA | SVI Exclusive | 4 | Arm Restraint Gear (Adj. or Super-Adj.) |
| | BH-7508-16 | FJ7750 | 4 | Arm Restraint Gear (not adjustable) |
| -- | BH-7075-03 | FJ7380 | | Anchor Bolts |

Height Extensions for use on most Rotary lifts



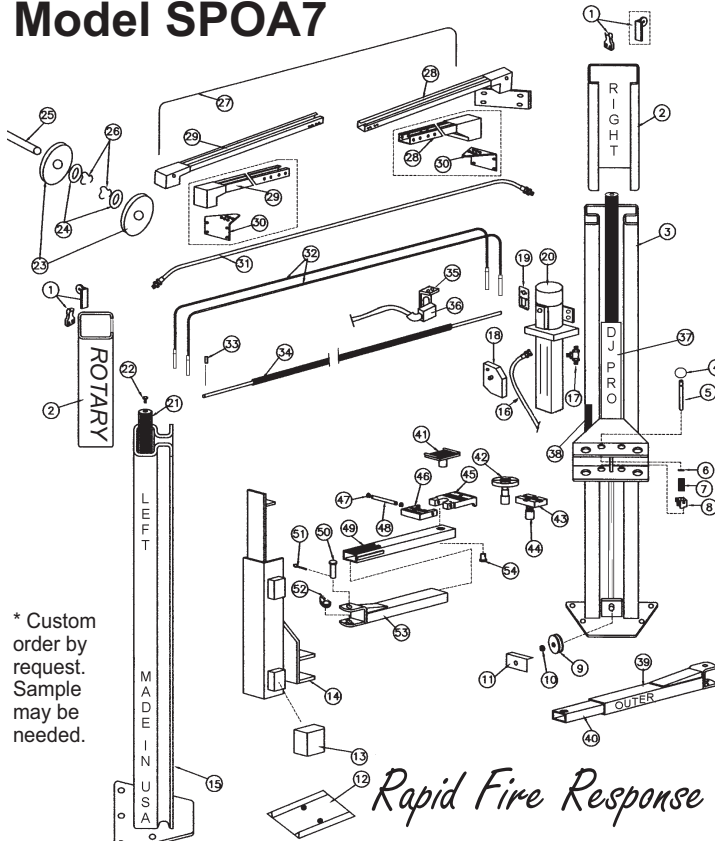
For a complete listing of Height Extensions see SVI catalog # LRC7090

* Custom order by request. Sample may be needed.

All names, numbers, symbols and descriptions are used for reference purposes only. It is not implied that any part listed is the product of these manufacturers; however, some parts may be the actual product of these manufacturers.



Model SPOA7

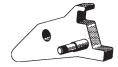


* Custom order by request. Sample may be needed.

| Item | SVI part# | OEM# | Req | Description |
|------|--------------------|----------------------|----------|---|
| 1 | BH-7502-90 | FJ7445-6 | 1 | Left Lock Sheave/Bracket Assy |
| | BH-7502-90 | FJ7444-14 | 1 | Right Lock Sheave/Bracket Assy |
| | BH-7501-26 | FJ7322 | 2 | Lock Latch Cable Sheave |
| | BH-7528-94 | N69 | 2 | Nylon Lock Cable Guide |
| 2* | BH-7545-00 | N45 | 2 | Column Extension |
| 3* | call for details | N74 | 1 | Right Column |
| 4 | BH-7508-20 | FJ7985-1 | 4 | Arm Restraint Release Loop |
| 5 | BH-7508-18 | FJ7646-1 | 4 | Arm Restraint Pin (SPOA7) |
| | BH-7528-07 | N121-1 | 4 | Arm Restraint Pin (SPOA7-100 up) |
| 6 | BH-7528-06 | N119-3 | 4 | Ext. Retaining Ring |
| 7 | BH-7535-58 | FJ7656-2 | 4 | Arm Restraint Spring |
| 8 | BH-7508-17 | FJ7749 | 4 | Arm Restraint Engage Gear |
| 9 | BH-7500-50 | SVI Exclusive | 6 | Sheave, steel |
| | BH-7500-50N | FJ7116-1 | 6 | Sheave, nylon |
| 10 | BH-7500-62A | 41411 | | Ext. Retaining Ring 5304-75 |
| 11 | BH-7502-33 | N119-1 | 2 | Debris Shield / Sheave Cover |
| 12 | BH-9701 | FF729 | 1 | 15" Wide Reach Wheel Spotter |
| | BH-9702 | SVI Exclusive | 1 | 15" Wide Reach Dual Spotter |
| 13 | BH-7510-03 | FJ7360 | 8 | Slider Block (cup style) |
| | BH-7515-65 | FJ5106 | 2 | Shim and Slider Kit (1 carriage) |
| 14* | BH-7537-50 | N82 | 1 | Left Carriage |
| | BH-7537-51 | N83 | 1 | Right Carriage |
| 15* | call for details | N73 | 1 | Left Column |
| 16 | BH-7512-41 | FJ837 | 1 | Power Unit Hose |
| 17 | BH-7535-69 | FJ7668 | 1 | Tee |
| 18 | call for details | | 1 | Adapter Plate (not for SPX) |
| 19 | call for details | | 1 | Control Box (specify Ø not SPX) |
| 20 | call for options | | 1 | Power Unit (call to discuss versions) |
| 21 | BH-7508-53 | FJ7664 | 1 | Hydraulic Cylinder (older models) |
| | BH-7545-15 | N380 | 1 | Hydraulic Cylinder (newer models) |

This model has enjoyed a long run of popularity and has been revised slightly over the years. Please do not hesitate to call for assistance in identifying the proper parts for the version you are servicing.

Cylinder seal kits for the OE# N342 hydraulic cylinder once used on this model are available as well as all other cylinder seal kits.



For all the carriage lock parts see index for "Two Post Carriage Locks"

| Item | SVI part# | OEM# | Req | Description |
|------------|-------------------------|----------------------|----------|--|
| 22 | call for details | | 2 | Bleeder Screw |
| 23 | BH-7500-50 | SVI Exclusive | 6 | Sheave, steel |
| | BH-7500-50N | FJ7116-1 | 6 | Sheave, nylon |
| 24 | BH-7500-49B | 41388 | 4 | Spacer 1-1/2" x .045 thick |
| 25 | BH-7500-68 | FJ7444-8 | 2 | Sheave Shaft |
| 26 | BH-7500-62A | 41411 | | Ext. Retaining Ring 5304-75 |
| 27 | BH-7501-24 | FJ7595-1 | 1 | Lock Latch Release Cable |
| 28/29 | BH-7542-62 | N444BL | 1 | L/R OH Assembly for 10" Col. (blue) |
| | BH-7528-88 | N448BL | 1 | L/R OH Assembly for 12" Col. (blue) |
| | BH-7542-62R | N444RD | 1 | L/R OH Assembly for 10" Col. (red) |
| | BH-7528-89 | N448RD | 1 | L/R OH Assembly for 12" Col. (red) |
| 30 | BH-7545-07 | N439 | 2 | Mounting Bracket (newer models) |
| 31 | BH-7512-19 | FJ838 | 1 | Overhead Hydraulic Hose |
| | BH-7512-21 | FJ840 | 1 | Overhead Hydraulic Hose (EH-1) |
| | BH-7512-22 | FJ841 | 1 | Overhead Hydraulic Hose (EH-2) |
| 32 | BH-7500-22 | FJ7449 | 2 | Equalizer Cable |
| | BH-7534-95 | FJ7545 | 2 | Equalizer Cable (EH-1) |
| | BH-7534-96 | FJ7546 | 2 | Equalizer Cable (EH-2) |
| 33 | BH-7503-29 | FJ7871 | | Spacer |
| 34 | BH-7508-34 | FJ7613-2 | 1 | Overhead Limit Bar |
| 35 | BH-7503-65 | FJ7613-1 | 1 | OH Limit Switch In Housing (older models) |
| | BH-7503-65 | N413 | 1 | Limit Switch Assembly (newer) |
| 36 | BH-7004-19 | P461-2 | 1 | Microswitch (older models) |
| | BH-7538-54 | N413-1 | 1 | Microswitch (newer models) |
| 37 | BH-7077-02-2 | SVI Exclusive | 1 | doorjammerPRO protection (pair) |
| | BH-7077-02-2S | SVI Exclusive | 1 | doorjammerPRO protection 12" (2) |
| 39* | BH-7508-45 | FJ7649-1 | 2 | Outer Rear Swing Arm |
| | BH-7528-39 | N239-1 | 2 | Outer Rear Swing Arm |
| 40* | BH-7503-97 | FJ7150-2 | 2 | Inner Rear Swing Arm Kit |
| | BH-7528-40 | N239-2 | 2 | Inner Rear Swing Arm only (newer) |
| | BH-7545-36 | N2101-1 | 2 | Inner Rear Swing Arm Kit (newer) |
| 41 | BH-7536-96 | FJ6182 | 4 | Rubber Pad Adapter Base |
| | BH-7536-92P | FJ6158-4 | 4 | Rubber Pad only |
| 42 | BH-7536-97 | FJ6185 | 4 | Spin-up Adapter w/Pad |
| 43 | BH-7508-61 | FJ7735-2 | 4 | Rectangular Molded Pad |
| 44 | BH-7500-94 | FJ6154 | 4 | Rectangular Pad Adapter |
| 45 | BH-9755-20 | FJ671-1 | 4 | High Step Ductile Iron Adapter |
| | BH-9789-98 | FJ697 | 4 | Rubber Pad Adapter for Flip-Up |
| 46 | BH-9755-21 | FJ671-2 | 4 | Low Step Ductile Iron Adapter |
| 47 | BH-9755-22 | FJ671-3 | 4 | Adapter Pivot Pin |
| 48 | BH-9755-26 | FJ671-6 | 8 | Hog Ring Clip |
| 49* | BH-7503-85 | FJ7256-2 | 2 | Inner Front Swing Arm |
| | BH-7545-37 | N2100-1 | 2 | Inner Front Swing Arm Kit |
| 50 | BH-7505-15 | FJ7834 | 4 | Arm Swivel Pin 7" (older version) |
| | BH-7505-14 | FJ7838 | 4 | Arm Swivel Pin 8" (newer version) |
| 51 | F-CP-187-2000 | 41250 | 4 | 3/16" x 2" Cotter Pin |
| 52 | BH-7508-16A/SA | SVI Exclusive | 4 | Arm Restraint Gear (Adj. or Super-Adj.) |
| | BH-7508-16 | FJ7750 | 4 | Arm Restraint Gear (not adjustable) |
| 53* | BH-7508-44 | FJ7647-1 | 1 | Front Left Outer Swing Arm |
| | BH-7508-46 | FJ7648-1 | 1 | Front Right Outer Swing Arm |
| | BH-7528-43 | N240-1 | 2 | Front Outer Swing Arm (newer) |
| 54 | BH-9755-25L | FJ79-6 | 4 | Adapter Swivel Pin |
| KIT | BH-7508-22 / 22A | FJ7888 | | Arm Restraint Kit (for 1 arm) |

All names, numbers, symbols and descriptions are used for reference purposes only. It is not implied that any part listed is the product of these manufacturers; however, some parts may be the actual product of these manufacturers.

**TERMS AND CONDITIONS OF THE
SALES ORDER
FOR SVI INTERNATIONAL, INC.**

1. **GENERAL.** The terms and conditions of sales order outlined herein shall apply to the sale by SVI INTERNATIONAL, INC. (hereinafter referred to as "Company") of the items described on the facing page (hereinafter referred to as "Merchandise") to Purchaser.
2. **DELIVERY.** Delivery shall be deemed to be complete when the Merchandise has been shipped F.O.B. Company's plants in DeKalb, Illinois, Duarte, California; and Baltimore, Maryland ("Company's plants"). Shipments are subject to delays from causes or contingencies beyond the reasonable control of the Company. When otherwise not specified, shipments will be made in standard containers via carrier which, in the judgment of the Company, will result in the most practical method. Title and right of possession will pass to the Purchaser upon receipt by the carrier at the shipping point. If a customer of the Company should specify a specific carrier's method of shipment (i.e. UPS Next Day Air) and that carrier does not perform to the customer's expectations, freight credit to a customer's account will not be issued unless the Company can first obtain a credit.
3. **RISK OF LOSS.** Identification of the Merchandise under Uniform Commercial Code (hereinafter referred to as "UCC") Section 2-501 shall take place at the moment of shipment F.O.B. Company's plants. Risk of loss shall pass to the Purchaser when the Merchandise is shipped from the Company's plants.
4. **TITLE.** Title to the merchandise shall transfer to the Purchaser when the Merchandise is shipped from the Company's plants.
5. **WARRANTIES.** The Company guarantees its products to be free from defects in workmanship and raw materials for a period of one year from date of purchase. THIS WARRANTY IS EXPRESSLY IN LIEU OF ANY AND ALL WARRANTIES EXPRESS OR IMPLIED. COMPANY DOES NOT WARRANT THE MERCHANDISE IS MERCHANTABLE OR FIT FOR ANY PARTICULAR PURPOSE. Company's liability for breach of the terms of this Agreement, including any warranty, is limited to either refund of the invoice price of the Merchandise or at Company's option, replacement of the Merchandise free of charge, including transportation charges but not including the cost of labor. Purchaser has not relied on any statement or upon the conduct of Company with respect to the prospective use of the merchandise. Company shall not be liable for and Purchaser waives any and all claims for any loss or damage, directly or indirectly, arising from the use of the Merchandise and for punitive, incidental or consequential damages, including, but not limited to, damages to property, for loss of use, loss of time, loss of profit or loss of income. The Company does not authorize the sale of our products under any other warranty, expressed or implied.
6. **SETOFF.** All claims for money due or to become due from the Company shall be subject to deduction by the Company for any setoff or counterclaim arising out of this or any other claims of the Company or its affiliated companies, whether such setoff or counterclaim arose before or after any assignment by Purchaser.
7. **INDEMNIFICATION.** Purchaser agrees to indemnify the Company and hold it harmless from and against all claims, liability, loss, damage or expense, including reasonable counsel fees, arising from or by reason of any modifications or alterations made by Purchaser. If a customer of the Company modifies or alters any part, in any manner whatsoever, or uses any part in departure from recommended performance specifications, said customer agrees to indemnify and hold the Company harmless from and against all liability and expenses based on damage to property or injury to or death of any person arising out of or attributable to such modified or altered part. Further, the Company will not accept any such modified or altered part for credit to a customer's account.
8. **FREIGHT POLICY.** Freight charges on individual orders less than \$3,000 in net value are prepaid and added to invoice or collect F.O.B. shipping point. Freight charges (standard ground service and continental US only) on individual orders more than \$3,000 net value are paid by the Company F.O.B. shipping point. Note: customers with C.O.D. terms are responsible for all carrier C.O.D. fees regardless of order net value.
9. **RETURN POLICY.** To return parts for credit or inspection Purchaser must first contact the Company to obtain a Return Goods Authorization number (RGA#). Once Purchaser has obtained an RGA# the parts can be returned freight prepaid only. The RGA# must be on the outside of the container in a highly visible location. All parts must be returned freight prepaid and the shipment must include a letter of explanation giving the specific reason for return including details as to the conditions under which the part or parts operated. Note: parts returned without an RGA#, freight collect or without written explanation may be refused. Parts which have been used in any way or manner, including any installation or incorporation into a lift or hoist, shall NOT be eligible for return whether or not an RGA has been assigned.
10. **RESTOCK CHARGE.** Returns are subject to up to twenty-five (25%) restocking charge. Refusals are subject to the same restocking charge plus the cost of outbound and return freight charges and/or fees incurred by the Company due to shipment refusal.
11. **PRICES AND PAYMENTS.** All prices are subject to change without notice. All prices are F.O.B. shipping point. The Company standard terms are net 30 days, C.O.D. company check, C.O.D. cash, VISA, MasterCard, Discover or American Express. However, if in the judgment of the Company, the financial condition of the Purchaser at any time does not justify shipment according to standard terms of payment, the Company may require full or partial payment in advance.
12. **INTERPRETATION.** This sales order is intended by the parties as a complete and exclusive statement of the terms of their agreement. It supersedes all prior agreements, written or oral. No course of prior dealings between the parties and no usage of the trade shall be relevant to supplement or explain any terms used in this sales order. Acceptance or acquiescence in a course of performance rendered under this purchase order shall not be relevant to determine the meaning of this sales order even though the accepting or acquiescing party has knowledge of the nature of the performance and opportunity for objection. Whenever a term defined by the UCC is used in this sales order the definition contained in the UCC shall control.
13. **MODIFICATION.** This sales order can be modified or rescinded only by a writing signed by both parties.
14. **WAIVER.** No claim or right arising out of a breach of this sales order can be discharged in whole or in part by a waiver or renunciation of the claim or right unless such waiver or renunciation is supported by consideration and is in writing signed by the aggrieved party.
15. **ASSIGNMENT.** No right or interest in this sales order shall be assigned by either party without the written consent of the other and no delegation of any obligation owed, or of the performance of any obligation by either the Company or Purchaser shall be made without the written consent of the other party. Any attempted assignment or delegation not made in conformity with this paragraph shall be wholly void and totally ineffective for all purposes.
16. **TIME TO PERFORM AND BRING ACTION.** Time is of the essence of this sales order. Any action for breach of this sales order shall be commenced within two (2) years after the cause of action has accrued. Any party who loses any litigation shall reimburse the other party for costs including reasonable attorneys fees. The exclusive jurisdiction for any legal action shall be the Circuit Court of DeKalb County, Illinois.
17. **APPLICABLE LAW.** This sales order shall be governed by the UCC of Illinois as effective and in force on the date of this sales order.

Offering the Best in Automotive Lift Repair Parts and More!

Auto Lift Cables • Auto Lift Parts • Brake Lathe Repair Parts

Compressed Air Repair Parts • Exhaust System Products • Fluid Delivery Repair Parts

Lubrication Equipment Repair Parts • Repair Parts for Gasboy Consumer Series

Service Station Pump and Tank Products • SVI Misc Auto Lift Products and Catalogs

Tire Changer Repair Parts • Vehicle Lifting Systems • Wheel Balancer Accessories

Serving the Industry Since 1977 • Same-Day Shipping



SVI International, Inc.

(800) 321-8173 • fax: (800) 899-1784

155 Harvestore Drive • DeKalb, IL 60115

www.sviinternational.com

BALTIMORE • CHICAGO • LOS ANGELES