



**DIRECTFIT™**

# Auto Lift Repair Parts and Accessories for Forward Lifts

Automotive Shop Equipment | Auto Lift Repair Parts

*The Industry's Largest Selection of Auto Lift Repair Parts*



**SVI International, Inc.**  
155 Harvestore Drive • DeKalb, IL 60115

**800-321-8173**  
**815-748-0200**

[www.sviinternational.com](http://www.sviinternational.com)

**DIRECTFIT™**  
SVI'S DIRECT FIT™ BRAND

BALTIMORE • CHICAGO • LOS ANGELES



# Table of Contents

**HEIGHT EXTENSIONS.....3**

## **ARM RESTRAINT KITS**

for Forward Lifts.....4

## **CABLE REFERENCE**

for Forward Lifts.....5

## **HYDRAULIC SEAL KITS**

for Forward Lifts.....6-7

## **COMMONLY REQUESTED PARTS ..8-10**

## **2-POST LIFTS**

7000A ..... 11

DPO7A..... 12-13

DP7A / DP97A / DP10A..... 14-16

9000B ..... 17-18

I-DP9 ..... 19-20

DPO9A / DPO9A2 ..... 21-22

10000A / 10000A2 ..... 23-24

DP-10, DP-10A..... 25-26

DP12 & DP15 ..... 27-29

Raptor..... 30-31

## **4-POST LIFTS**

12000SWT, 12000EWT ..... 32-33, 36-37

12000LA, 12000LF, 12000AR ..... 34-35, 37

Anti-Sway Kit for Many Models..... 36

## **ROLLING JACKS**

Parts and Complete Rolling Jacks..... 37

P  
a  
g  
e  
  
2

**BALTIMORE • CHICAGO • LOS ANGELES**

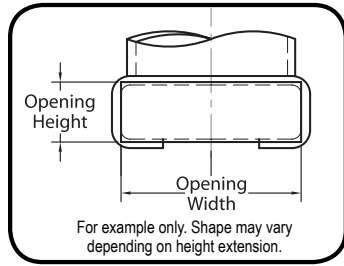
**(800) 321-8173 • (815) 748-0200**

**www.sviinternational.com**



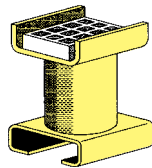
# Height Extensions for Forward Lifts

Many Height Extensions and Adapters Available! See our Lift Adapters by make and Model Catalog.



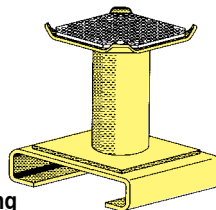
## Type - HDR

SVI Part #	Height	Opening Width	Opening Height	Rubber Pad Used
BH-7236-70	6"	5-3/4"	15/16"	BH-7205



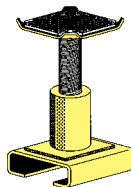
## Type - LDH

SVI Part #	Height	Opening Width	Opening Height	Rubber Pad Used
BH-7236-61	4"	5-11/16"	13/16"	BH-7235-90A
BH-7235-88	6"	5-11/16"	13/16"	BH-7235-90A
BH-7236-66	10"	5-11/16"	13/16"	BH-7235-90A



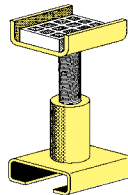
## Type - ALDH

SVI Part #	Height	Opening Width	Opening Height	Rubber Pad Used
BH-7236-77	4-6"	5-3/4"	15/16"	BH-7235-90A
BH-7236-78	6-9.5"	5-3/4"	15/16"	BH-7235-90A



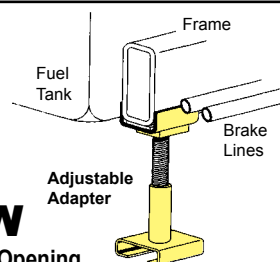
## Type - AHDR

SVI Part #	Height	Opening Width	Opening Height	Rubber Pad Used
BH-7236-79	4-6"	5-3/4"	15/16"	BH-7205
BH-7236-80	6-9.5"	5-3/4"	15/16"	BH-7205



## Type - AHDRNRW

SVI Part #	Height	Opening Width	Opening Height	Rubber Pad Used
BH-7236-85	6-9"	5-3/4"	15/16"	BH-9755-50-1

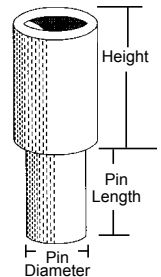


## Type - NS

Will fit lifts using Nesting Style Extensions.

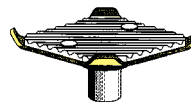
Please verify pin diameter used on the lift before ordering. 1-1/4" pin diameter is common on Forward lifts, but is not always the case.

SVI Part #	Height	Pin Length	Pin Diameter
BH-7235-72	1-1/2"	1-3/16"	1-1/4"
BH-7089-98	3"	1-1/4"	1-1/4"
BH-7793-45	3"	2-1/2"	1-1/4"
BH-7089-99	4"	1-1/4"	1-1/4"
BH-7089-99A	5"	1-1/4"	1-1/4"
BH-7089-99B	6"	1-1/4"	1-1/4"
BH-7796-04	6"	2-1/2"	1-1/4"



See SVI's Height Extension Book for More Options.

## Nesting Style Adapter Pad



This adapter pad for Forward lifts has 5-1/2" square top with corners turned up. Order Rubber Pad Kit - BH-7235-90

SVI Part #	Pin Length	Pin Dia.	Rubber Pad
BH-7089-97	1-1/8"	1-1/4"	BH-7235-90A



BH-7089-97R

This adapter pad for Forward lifts Features Popular Rectangle Pad

SVI Part #	Pin Length	Pin Dia.	Rubber Pad
BH-7089-97R	1-1/8"	1-1/4"	BH-7101-00



BH-7235-94RC

SVI Part #	Pin Length	Pin Dia.	Rubber Pad
BH-7235-94RC	1-13/16"	1-1/4"	BH-7474-78

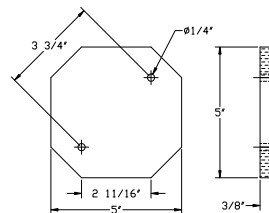
## Specialty Adapters

Ask SVI about lifting 2019

Chevy Silverado and GMC Sierra Trucks

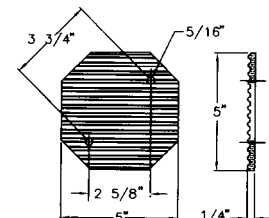


## Rubber Pads



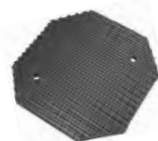
BH-7235-90AX

Heavy Duty Pad for Forward or buy a kit of 4 BH-7235-90K



BH-7235-90A

Pad for Forward Also sold in kits of 4 with hardware; order BH-7235-90 for kit







# Arm Restraint Kits

**DIRECTFIT™**

SVI's DIRECT FIT™ BRAND



**BH-7235-24** (OEM 070K02)  
**for 7000B**



**BH-7235-36** (OEM 119K01)  
**for 7000A, DP-7A & DPO7A**



**BH-7235-37** (OEM 112K02)  
**for 10000-A**



**BH-7235-38** (OEM 037K04)  
**for 8000-A & 9000-A**



**BH-7235-58** (OEM 116K01)  
**for 9000-OH, 9000-B & 9000-FP**



**BH-7235-23** (OEM 158K01)  
**for DPO9A, DP-97, DP-10 Asymmetric**



**BH-7235-23X** (OEM 159K01)  
**for DP-97, DP-10 Straight**



**BH-7235-18** (OEM 137K03)  
**for 12000-TP, 15000-TP & DPO12**

**NOT PICTURED: BH-7235-19K** (OEM 073K02) **for Model 7500**



# Cable Quick Reference

(Serial # Required when Ordering)

**DIRECTFIT™**

SVI's DIRECT FIT™ BRAND

SVI part #	Ref #	Length	Model Used On
BH-7235-01	992601	27' 10"	7000-B
BH-7235-06	992625	32' 10"	7000-A
BH-7235-05	992608	34' 6-3/4"	75000-A
BH-7235-02	992662	33' 2-1/2"	8000-A Long
BH-7235-03	992663	32' 4-1/2"	8000-A-Short DPO7A
BH-7235-07	992614	35' 1"	9000-CF
BH-7235-08	992627	33'-6"	9000-A
BH-7235-09	992630	33'	9000-A
BH-7235-04	992624	31' 6"	9000-B
BH-7235-09F	992645	26' 6"	9000-FP
BH-7235-09	992630	33' 0"	10000-A Short
BH-7235-09E	992640	37' 0"	10000-A-2 Short
BH-7235-08	992627	33' 6"	DP97 & DPO9S DP/DPO-10 10000-A Long
BH-7235-09A	992639	37' 6"	DP97-2, DP-10-2 & DPO-10-2, 10000-A Long
BH-7235-09B	992626	40' 2"	DP-12 & DP-15
BH-7236-92	992629	44' 2"	DP-12-2 & DP-15-2
BH-7235-09F	994226	29' 7"	9000-B
BH-7239-60	0970912 (set of 2)	33' 4"	I-DP9
BH-7239-60A	0970910 (each)		
BH-7239-50K	1070910 (set of 2)	33' 8"	DP-10 Series B, I10
BH-7236-95	1070911 (each)		
BH-7236-97	1072901 (each)	37' 6"	DP-10-2 Series B
BH-7236-96	1070914 (each)	32' 11"	DP-10AN
BH-7236-98	1072903 (each)	36' 9"	DP-10AN-2
BH-7239-70	H4P-5002A	18' 3-1/2"	CR14, 14000EWT
BH-7239-71	H4P-5002B	13'	CR14, 14000EWT
BH-7239-72	H4P-5002C	35' 2-1/2"	CR14, 14000EWT
BH-7239-73	H4P-5002D	30'	CR14, 14000EWT



American-made cable assemblies made to replace cables on a Chinese-Made Lift

**BETTER CABLES, BETTER PRICING**

**For Forward Model CR-14**

**BH-7239-70** Ref. # H4P-5002A / H4P-5002-2  
Cable for Forward **219.5"** Long

**BH-7239-71** Ref. # H4P-5002B / H4P-5002-1  
Cable for Forward **156.5"** Long

**BH-7239-72** Ref. # H4P-5002C / H4P-5002-4  
Cable for Forward **423"** Long

**BH-7239-73** Ref. # H4P-5002D / H4P-5002-3  
Cable for Forward **360.5"** Long

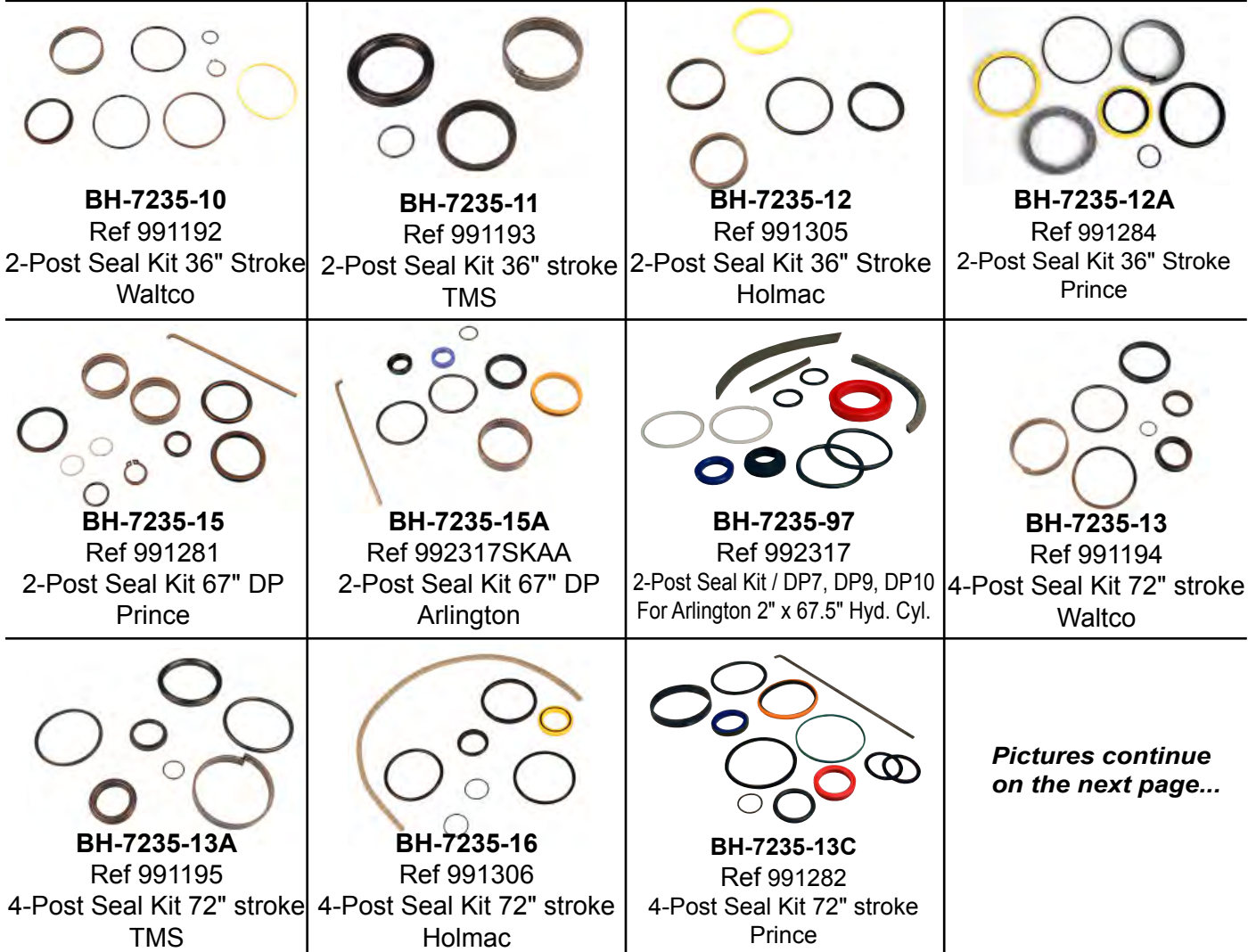
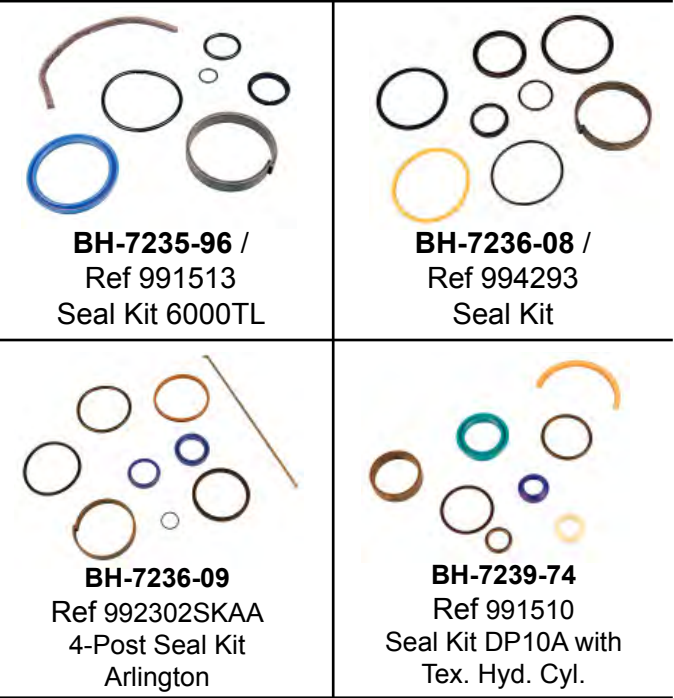


# Hydraulic Seal Kits

**DIRECTFIT™**

SVI's DIRECT FIT™ BRAND

SVI Part #	Ref #	Description
BH-7235-96	991513	Seal Kit 6000TL
BH-7236-08	994293	Seal Kit
BH-7236-09	992302SKAA	4-Post Seal Kit Arlington
BH-7239-74	991510	Seal Kit DP10A with Texas Hyd Cylinder
BH-7235-10	991192	2-Post Seal Kit 36" Stroke Waltco
BH-7235-11	991193	2-Post Seal Kit 36" Stroke TMS
BH-7235-12	991305	2-Post Seal Kit 36" Stroke Holmac
BH-7235-12A	991284	2-Post Seal Kit 36" Stroke Prince
BH-7235-15	991281	2-Post Seal Kit 67" DP Prince
BH-7235-15A	992317SKAA	2-Post Seal Kit 67" DP Arlington
BH-7235-97	992317SKAA	2-Post Seal Kit 67-1/2" x 2" Arlington on DP7, DP9, DP10
BH-7235-13	991194	4-Post Seal Kit 72" Stroke Waltco
BH-7235-13A	991195	4-Post Seal Kit 72" Stroke TMS
BH-7235-16	991306	4-Post Seal Kit 72" Stroke Holmac
BH-7235-13C	991282	4-Post Seal Kit 72" Stroke Prince
BH-7235-14	991308	4-Post Seal Kit 27K Truck Lift Waltco
BH-7235-14A	991309	4-Post Seal Kit 27K Truck Lift TMS
BH-7235-14B	991307	4-Post Seal Kit 27K Truck Lift Holmac
BH-7235-14C	991283	4-Post Seal Kit 27K Truck Lift Prince






*Pictures continue on the next page...*





# Hydraulic Seal Kits

**DIRECTFIT™**  
SVI's DIRECT FIT™ BRAND

<p><b>BH-7235-14</b> Ref 991308 4-Post Seal Kit 27K Waltco</p>	 <p><b>BH-7235-14A</b> Ref 991309 4-Post Seal Kit 27K TMS</p>	 <p><b>BH-7235-14B</b> Ref 991307 4-Post Seal Kit 27K Holmac</p>	 <p><b>BH-7235-14C</b> Ref 991283 4-Post Seal Kit 27K Prince</p>
--	--	--	---

# Shim Kits

have them on-hand. stock up today.



**Color-coded for easy usage.**

BH-7512-89	<b>1/4"</b>	Black (50 Pack)
BH-7512-91	<b>1/8"</b>	Red (50 Pack)
BH-7512-90	<b>1/16"</b>	Blue (50 Pack)
BH-7512-92	<b>Assortment Pack (50 of each)</b>	



# SVI's Product Line is Vast

**CONTACT US TODAY IF THERE'S SOMETHING YOU CAN'T FIND**

800-321-8173 • 815-748-0200 • [www.sviinternational.com](http://www.sviinternational.com)



## Shims for 3/4" Wedge and Screw Anchors

*Color Coded Shims are In-Stock! Order Today!*

BH-7512-92	Assortment	150 Shims (50 each)
BH-7512-90	1/16" Blue	Pack of 50
BH-7512-91	1/8" Red	Pack of 50
BH-7512-89	1/4" Black	Pack of 50

### HEAVY DUTY PLASTIC SLOTTED SHIMS

Extra-thick shims make it easy to level and align 2- and 4-post surface mount lifts. These rugged plastic shims will not corrode, rot or rust. A must-have for every professional lift installer in the industry.



*Installation Kits Available*

### Installation Supplies

- Carbide Drill Bits
- Core Bits
- Epoxy and Adhesives
- Wedge Anchors
- Screw Anchors
- Rebar Cutters and Adapter
- Rod Seal Install Tools
- Safety & Inspection Stickers

*Many Sizes Available!*

*Available!*



**Simpson Carbide Drill Bits** *Many Options and Sizes Available!*

BH-7064Q-12-21 (Drilling Depth 16" / 3/4" dia.) SDS Max Quad Head Bit

BH-7065Q-12-23 (Drilling Depth 18" / 3/4" dia.) Spline Shank Quad Head Bit

BH-7065Q-12-16 (Drilling Depth 11" / 3/4" dia.) Spline Shank Quad Head Bit



### Wheel / Tire Hanger Kits

Increase Efficiency • For Any Budget



SF-92100  
Set of 2

BH-7545-70K-4 Kit of 4  
BH-7545-70K Individual  
*Includes Hardware*



**Wedge Anchors**  
Many Sizes Available!  
BH-7075-03  
3/4" x 5-1/2"

*Ask How to Get Free Shipping on Wedge Anchors!*



**Screw Anchors**  
Many Sizes Available!  
BH-7075-26  
1/2" x 4"  
BH-7075-37  
3/4" x 5"



**Rod Seal Install Tool Set**  
BH-7079-01  
Includes 3 Install Tools to Service 3/4" ID Seals up to 3" ID Seals



**Inspection Stickers**  
Roll of 250  
BH-7011-11

**ASK FOR OUR INSTALLATION SUPPLIES CATALOG**

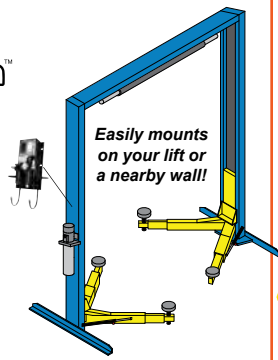
### Air / Hydraulic Pumps for Rolling Bridge Jacks

*Options Available—Call Today!*



**POWER STATION™  
AIR / ELECTRIC  
UTILITY BOX**

*4 Colors Available*



*Easily mounts on your lift or a nearby wall!*

### Vehicle Lifts and Lifting Equipment

*New Lifts for Cars, Trucks, Buses, Motorcycles, UTVs and More*

Replacement Cylinders Sections & Kits • Turf Trays for 2-Post Lifts





# SVI's Product Line is Vast

CONTACT US TODAY IF THERE'S SOMETHING YOU CAN'T FIND

800-321-8173 • 815-748-0200 • [www.sviinternational.com](http://www.sviinternational.com)

**INCREASE EFFICIENCY • ELIMINATE COSTLY DAMAGE TO DOORS • REDUCE STRESS OF SHOP TECHNICIANS**

*doorjammer* **PRO**™  
Durable • Impact Resistant

A Must-Have for All 2-Post Lifts!

**Available in 2 Sizes!**

- BH-7077-02-2S 12" tall x 18" wide
- BH-7077-02-2 24" tall x 18" wide

**Prevents Door Dings!**  
Just one damaged door can cost  
**3 times as much** as a simple investment  
in one SVI doorjammerPRO™.



Patent Protected

## Auto Lift Cables and Chain Sheaves / Pulleys / Chain Rollers



## TURF AND UTILITY TRAYS

**FOR 2-POST LIFTS**  
SYMMETRIC / ASYMMETRIC

**The #1 Choice for  
Symmetric or Asymmetric  
2-Post Surface Mount Lifts  
and In-Ground  
Side-By-Side, too!**



## Hose Reel Hose Stops

Options Available—Call Today!



## Auto Lift Power Units and Parts

Call SVI today!



## Tire Changer Parts and Accessories

For Most Makes and Models

See our *Tire Changer Repair Parts Catalog!*



## Brake Lathe Repair Parts

For Most Makes and Models

See our *Brake Lathe Repair Parts Catalog!*



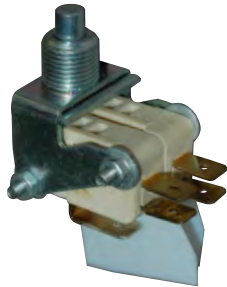


# Commonly Requested Parts

**DIRECTFIT™**  
SVI's DIRECT FIT™ BRAND



**Air Cylinder**  
**BH-7238-26**  
(Ref WG-1,  
QG01-9100FWD)



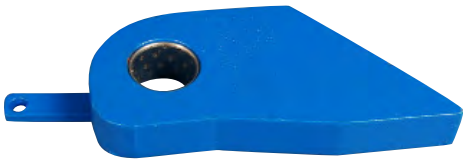
**Microswitch -  
Double Pole**  
*For MTE Power Units*  
**BH-7239-45**  
(Ref 991404)



**Rubber Arm Pad Kit for Forward Lifts**  
**BH-7235-90** (Ref 994105)



**Lowering Valve**  
*For MTE Power Units*  
**BH-7000-89**  
(Ref 991403)



**Safety Latch for Forward Lifts CR14, RFP14**  
**BH-7239-320** (Ref H4P-1002)



**Steel Ball  
for Alignment**  
**BA-1200-04** (Ref 991115)



**Roller for  
CRO14, OR14, others**  
**BH-7531-68** (Ref FC5905)



**Cable Sheave for  
CR-14, RFP-14**  
**BH-7239-300**  
(Ref H4P-3003)



**Slack Cable Roller  
for Forward CR14**  
**BH-7239-85**  
(Ref H4P-1014)



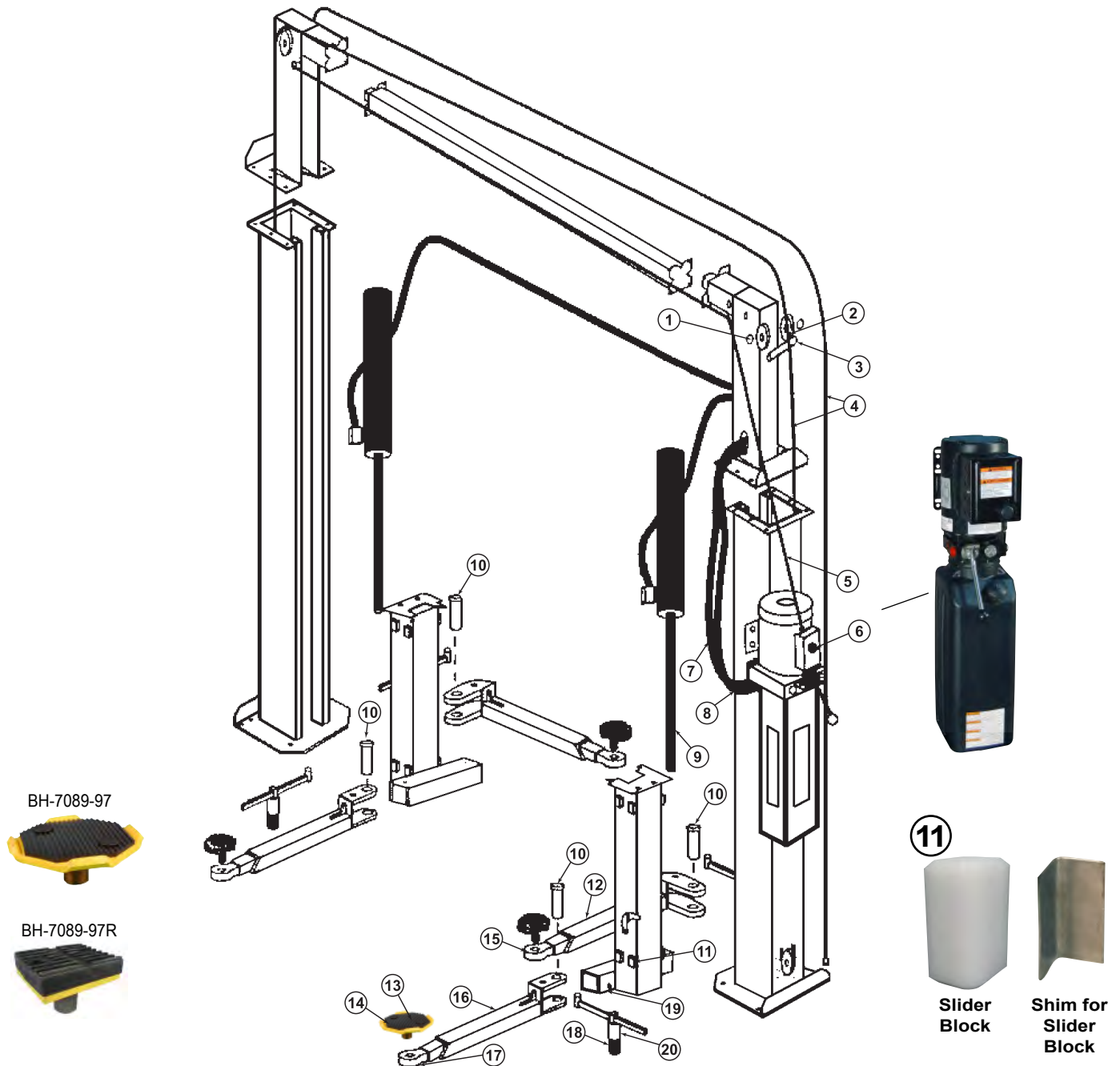
**FRL Filter Regulator Lubricator  
for Forward Lift Models**  
including CRO14, OR14, FS77, and others  
**BH-7545-97** (Ref S130080, 24101)

## Commonly Requested Parts

SVI Part #	x-Ref	Description
BH-7237-91		Roller Assembly Kit for AJ-6 Rolling Jacks found on Forward Lifts
BH-7239-14	137602	Arm Slider
BH-7239-85	H4P-1014	Slack Cable Roller for CR14
BH-7239-300	H4P-3003	Cable Sheave for CR-14, RFP-14
BH-7239-303	H4P-1009	Crossmember Sheave Shaft CR-14
BH-7239-315	QG01-9100	Air Cylinder CR-14, RFP-14
BH-7239-321	H4P-1015	Spring for CR14, RFP14
BH-7239-322	H4P-1003G	Slack Cable Safety Latch CR-14, RFP-14
BH-7239-326	H4P-1005	Safety Lock Shaft CR-14, RFP-14
BH-7239-135	120K12	Top Rail Sheave Kit 12000LR-M1L
BH-7239-136		Shim for Top Rail Sheave Kit
BH-7545-97	S130080	FRL Filter Regulator Lubricator for CRO14, OR14, FS77, others

# For Lift Model 7000A

**DIRECTFIT™**  
SVI's DIRECT FIT™ BRAND



Item	SVI part #	Ref #	Req	Description
1	F-RR-1500		8	Snap Ring
2	<b>BH-7235-66</b>	995030	6	Cable Sheave 6-1/8"
	<b>BH-7235-00</b>	995020		Cable Sheave 4-3/4" OD x 1-3/8" ID
4	<b>BH-7235-06</b>	992625	2	Equalizer Cable 7000A
	<b>BH-7235-01</b>	992601	2	Equalizer Cable (floorplate) 7000B (Baseplate model not pictured)
6	<b>BH-7006-01</b>		1	<b>Power Unit</b>
7	BH-7235-31	992135	1	64" Hydraulic Hose for Driver Side
8	BH-7235-30	992134	1	48" Hydraulic Hose for Pass. Side
9	<b>BH-7236-02</b>	992317	2	Hydraulic Cylinder
10	BH-7235-34	995430	4	Arm Pin

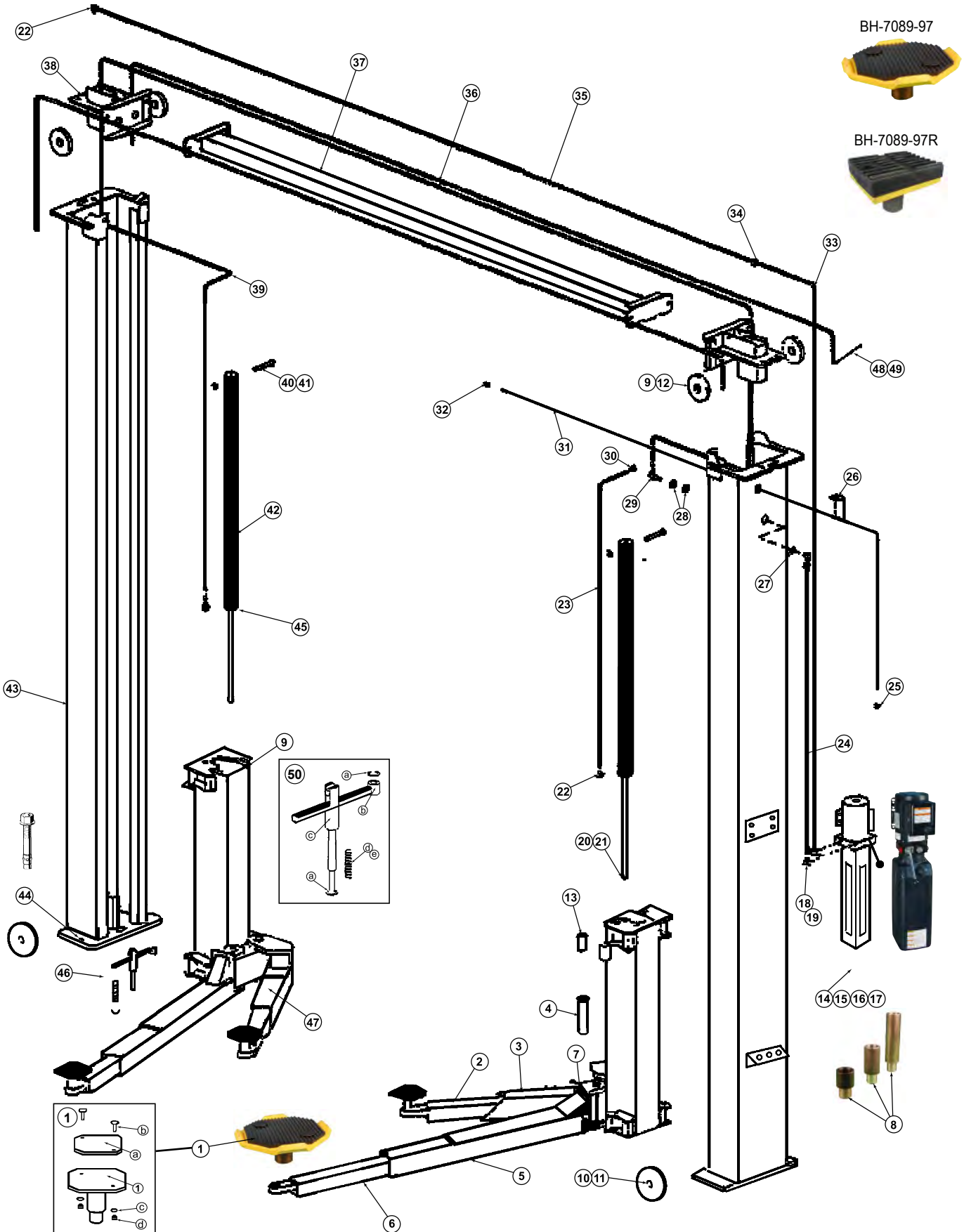
11	<b>BH-7235-27</b>	995120	16	Slider Block
	<b>BH-7235-27A</b>	106518		Shim for Carriage Slider Block
12	Call for details		2	Front Outer Arm
13	<b>BH-7235-90A</b>	991222	4	Rubber Pad - standard duty
	<b>BH-7235-90AX</b>		4	Rubber Pad - heavy duty
14	<b>See SVI's height extension book.</b>			
	<b>BH-7089-97</b>		4	Adapter Base & Octagon Pad
	<b>BH-7089-97R</b>			Adapter Base & Rectangle Pad
	<b>BH-7235-90</b>	994105	1	Rubber Pad KIT - standard
	<b>BH-7235-90K</b>		1	Rubber Pad KIT - heavy duty
18	BH-7235-25	991216	4	Plunger Spring for Restraint
20	BH-7235-36	119K01		Arm Restraint Assembly (set of 4)





# For Lift Model DPO7A

**DIRECTFIT™**  
SVI's DIRECT FIT™ BRAND



P  
a  
g  
e  
  
1  
2



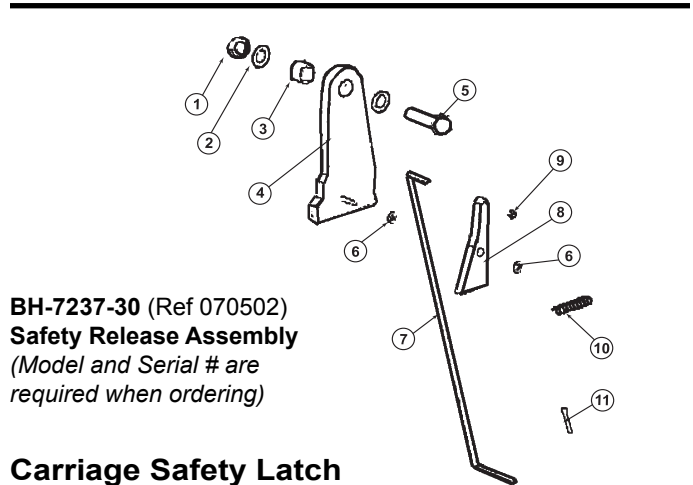
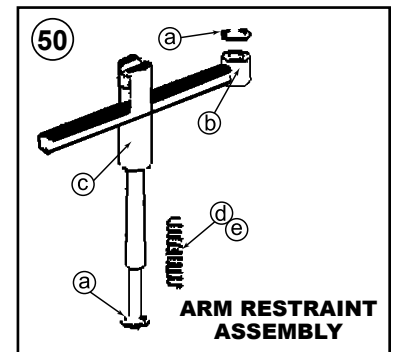
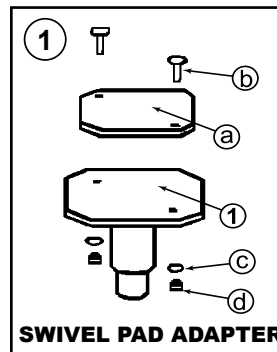
# For Lift Model DPO7A

Item	SVI part #	Ref #	Req	Description
1	BH-7089-97	106605	4	Adapter Base and Pad 1-1/4" Pin
1a	BH-7235-90A	991234	4	Rubber Pad - standard duty
	BH-7235-90	994105	1	Rubber Pad Kit - standard
	BH-7235-90AX		4	Rubber Pad - heavy duty
	BH-7235-90K		1	Rubber Pad Kit - heavy duty
1b	F-EB-0250-20-1000	991243	8	1/4" x 1" Elevator Bolt
1c	F-FW-0250-USS	911405	8	1/4" Flat Washer
1d	F-HN-0250-20	911401	8	1/4"-20 Hex Nut
2	BH-7239-29	119603	2	Inner Arm Short
3	BH-7239-27	119601	1	Outer Swing Arm Tube Short RH
4	<b>BH-7235-34</b>	<b>995430</b>	<b>4</b>	<b>Swing Arm Pin 8"</b>
5	BH-7237-15	106604	1	Outer Swing Arm Long RH
	BH-7239-30	119604	1	Outer Swing Arm Long LH
6	BH-7239-31	119605	2	Inner Arm Long
7	BH-7235-91	991303	2	Bumper Strip, 4-5/8" Long
8	BH-7089-99B	995550		6" Nesting Pad Extension
	BH-7089-99A			5" Nesting Pad Extension
	BH-7089-98	995560		3" Nesting Pad Extension
	BH-7235-72	996220		1-1/2" Nesting Pad Extension
9	BH-7239-34	119501	2	Carriage Weldment
10	BH-7203-041	991030		Top Rail Snap Ring
11	BH-7235-66	995030	2	Cable Sheave 6-1/8"
12	BH-7235-00	995020	4	Cable Sheave 4-3/4" OD x 1-3/8" ID
13	<b>BH-7235-27</b>	<b>995120</b>	<b>16</b>	<b>Carriage Slider Block</b>
	<b>BH-7235-27A</b>	<b>106518</b>		<b>Shim for Carriage Slider Block</b>
14	<b>BH-7006-01</b>	<b>992016</b>	<b>1</b>	<b>Power Unit</b>
	<b>BH-7006-01LS</b>			<b>Power Unit</b> (prewired for an overhead limit switch)
15	F-HN-0312-18	911701		5/16"-18 Hex Nut
16	F-NL-0312-18	911703		5/16"-18 Nylock Nut
17	F-HC-0312-18-1000	911741		5/16"-18 x 1" Hex Head Capscrew
18	BH-7235-67	992426		3/8" O-Ring to 3/8" Male JIC
19	BH-7235-68	992426		3/8" JIC 90 Swivel Nut
20	F-HN-0750-16	913602		3/4"-16 Hex Nut
21	F-JN-0750-16	913611		3/4"-16 Jam Nut
22	BH-7236-99	992402		Elbow
23	BH-7236-42	992156	1	Hydraulic Hose 56"
24	BH-7236-39	992142	1	Hydraulic Hose 62"
25	BH-7239-88	991244		1/8" Cable Clamp
26	BH-7239-89	106804		Overhead Limit Cable Ring Weldment
27	F-JN-0562-18	992454		3/8" Bulkhead Nut
28	F-FW-0562-SAE	912906		9/16" SAE Washer, Bulkhead Mount
29	BH-7239-92	992431		3/8" JIC Bulkhead Run Tee
30	BH-7000-03	995464		3/8" JIC 45 Swivel Nut
31	BH-7235-09C	992609	1	Limit Switch Cable 1/16" x 16'
32	BH-7239-90	991084		1/16" Cable Clamp
33	BH-7236-32	992137		3/8" Hose x 86" High Press
34	BH-7239-93	992419		3/8" JIC Branch T to 3/8" MNPT
35	BH-7236-33	992138	1	Hydraulic Hose 101"
36	BH-7235-03	992663	2	Equalizer Cable 32' 4-1/2"
37	BH-7239-91	119801		Overhead Weldment 99-1/4"
38	BH-7235-17	106802		Cylinder Mount Weldment
39	BH-7237-53	992146	1	Hydraulic Hose 195"
40	F-NL-0500-13	912603		1/2"-13 Nylock Nut
41	F-HC-0500-13-5000	912791		1/2"-13 x 5" Hex Head Capscrew
42	<b>BH-7236-02</b>	<b>992317</b>	<b>2</b>	<b>Hydraulic Cylinder</b>
43	<b>See Seal Kits for Forward shown later in this directory.</b>			

# DIRECTFIT™

SVI's DIRECT FIT™ BRAND

Item	SVI part #	Ref #	Req	Description
44	BH-7075-03	913828		3/4" x 5-1/2", Anchor Bolt
45	BH-7235-53	148705	4	Arm Restraint Plunger 10.4"
46	BH-7235-51	148702	2	Arm Restraint Slider 8" Front
	BH-7235-52	148707	2	Arm Restraint Slider 8" Rear
47	BH-7239-28	119602		Outer Swing Arm Tube Short LH
48	F-FW-0375-SAE	913606		3/4" SAE Washer
49	F-NL-0750-10			3/4"-10 Nylock Nut
50	<b>BH-7235-36</b>	<b>119K01</b>	<b>1</b>	<b>Arm Restraint Kit (entire lift) (4)</b>
50a	BH-7235-24E	991209	8	Arm Restraint E-Clip 5/8"
50b	BH-7235-51	148702	2	Arm Restraint Slider 8" Front
	BH-7235-52	148707	2	Arm Restraint Slider 8" Rear
50c	BH-7235-53	148705	4	Arm Restraint Plunger 10.4"
50d	BH-7235-23D	991216	4	Arm Restraint Spring
50e	F-FW-0625-SAE	913206	4	5/8" Arm Restraint Washer
50f	BH-7235-23C		2	Edge Protector (not pictured)



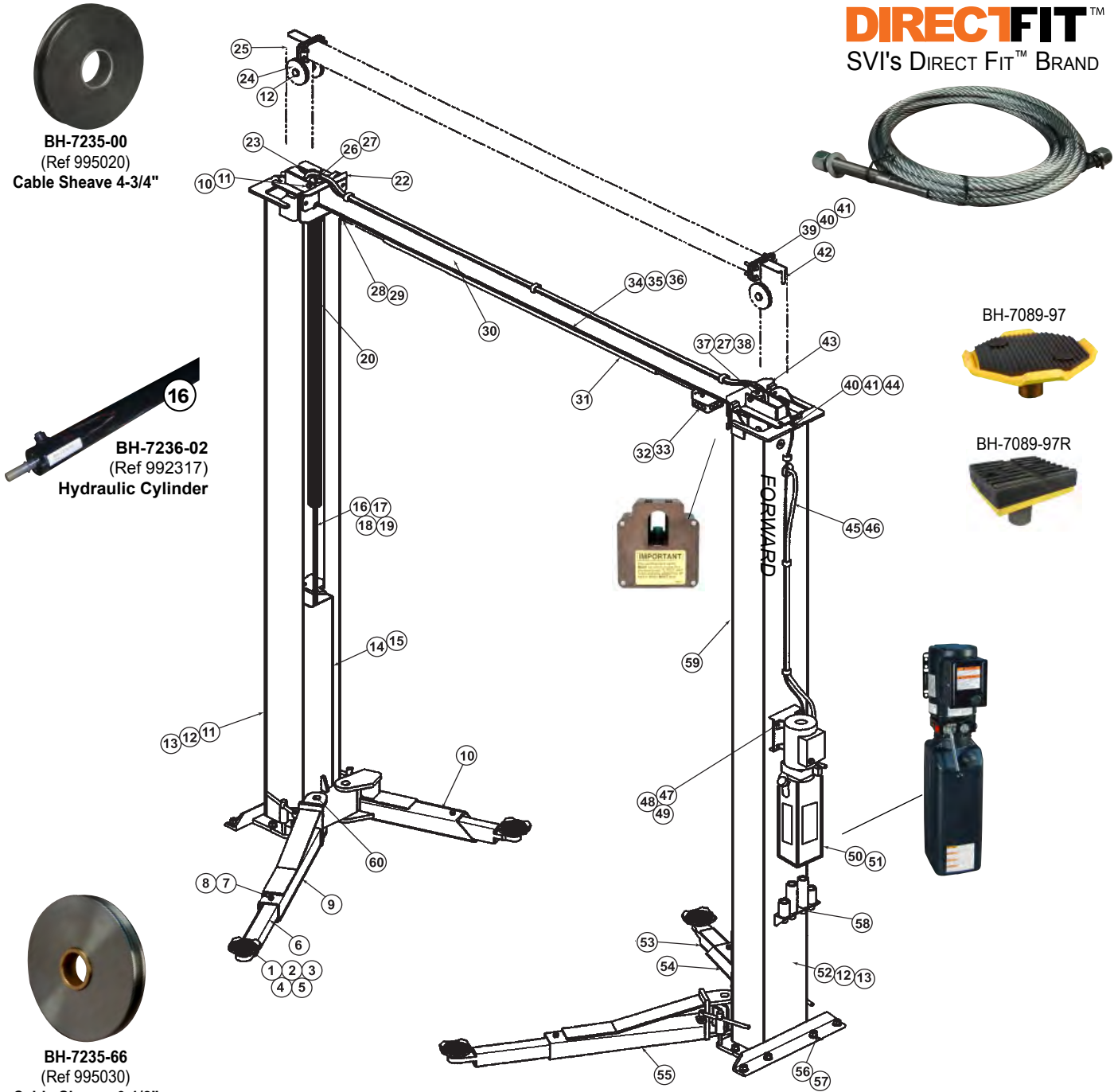
## Carriage Safety Latch

Item	SVI part #	Ref #	Req	Description
1	F-NL-0750-16	913600	2	Nylok Jam Nut 3/4"
2	F-FW-0750-SAE	913605	2	3/4" Flatwasher
3	BH-7239-95	070530	2	Latch Pivot
4	BH-7239-94	070525	2	Lock Latch
5	F-HC-0750-16-2000	913682	2	3/4-16 x 2 Hex Head Capscrew
6	F-FW-0375-SAE	912005	2	3/8" Flat Washer
7	BH-7237-19	090541	2	Lock Release Rod 17"
8	BH-7235-63	070528	2	Latch Release Pivot
9	BH-7235-65	991070	2	Cap Nut
10	BH-7237-86	991071	2	Spring Latch
11	F-CP-094-1500	991077	2	Cotter Pin

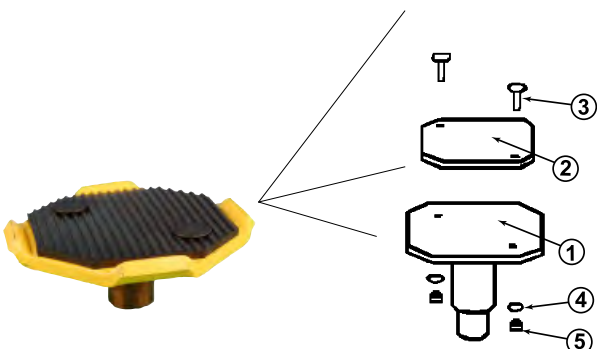


For Lift Model DP7A / DP97A Series / DP10A Series

**DIRECTFIT™**  
SVI'S DIRECT FIT™ BRAND



P  
a  
g  
e  
  
14



**Adapter Base with Octagon Rubber Pad**

Item	SVI part #	Ref #	Req	Description
1	BH-7089-97	106605	4	Adapter Base & Pad 1-1/4" Pin
2	BH-7235-90A	991234	4	Rubber Pad - standard duty
	BH-7235-90	994105	1	Rubber Pad Kit - standard
	BH-7235-90AX		4	Rubber Pad - heavy duty
	BH-7235-90K		1	Rubber Pad Kit - heavy duty
3	F-EB-0250-20-1000	991243	8	1/4" x 1" Elevator Bolt
4	F-FW-0250-USS	911405	8	1/4" Flat Washer
5	F-HN-0250-20	911401	8	1/4"-20 Hex Nut

*Alternate Adapter Base with Rectangle Pad—See BH-7089-97R*





# For Lift Model DP7A / DP97A Series / DP10A Series

Item	SVI part #	Ref #	Req	Description
1	<b>BH-7089-97</b>	106605	4	<b>Adapter Base &amp; Octagon Pad 1-1/4" Pin</b>
	<b>BH-7089-97R</b>			<b>Adapter Base &amp; Rectangle Pad 1-1/4" Pin Diameter</b>
2	<b>BH-7235-90A</b>	991234	4	<b>Rubber Pad - standard duty</b>
	<b>BH-7235-90AX</b>		4	<b>Rubber Pad - heavy duty</b>
3	F-EB-0250-20-1000	991243	8	1/4-20 x 1-1/4 Elevator Bolt
4	F-HN-0250-20	911401	8	1/4-20 Hex Nut
5	F-FW-0250-USS	911405	8	1/4" Washer
6	BH-7239-31	119605		Inner Arm Long - Rear DP7A
	BH-7239-21	106703		Inner Arm Long - Rear DP97A / S
	BH-7239-22	145603		Inner Arm Long - Rear DP10A / S
7	F-HC-0500-12-0750	912631		1/2-13 x 3/4" HHCS Grade 5
8	F-LW-0500	912607		1/2" Lock Washer
9	BH-7239-30	119604		Outer Arm Long LH DP7
	BH-7239-20	143605		Outer Arm Long LH DP97A & DP10A
	BH-7239-24	145602		Outer Arm Long LH DP97S & DP10S
10	BH-7239-28	119602		Outer Arm Short LH DP7
	BH-7239-23	145601		Outer Arm Short LH DP97S & DP10S
11	call for details	158201		Driver Side Column DP97 & DP10
	call for details	119201		Driver Side Column DP7
12	BH-7203-041	991030		Top Rail Snap Ring
13	BH-7235-66	995030		Cable Sheave 6-1/8"
14	call for details	145500		Carriage Assembly DP10
	call for details	119500		Carriage Assembly DP7
	call for details	106500		Carriage Assembly DP97
15	BH-7239-40	145501		Carriage Weldment DP10
	BH-7239-34	119501		Carriage Weldment DP7
	BH-7239-42	106501		Carriage Weldment DP97
16	<b>BH-7236-02</b>	992317	2	<b>Hydraulic Cylinder</b>
17	F-HN-0750-16	913602		3/4-16 Hex Nut
18	F-JN-0750-16	913611		3/4-16 Hex Jam Nut
19	BH-7236-99	992402		Elbow
20	BH-7239-96	991082		24" Wire Tie
21	F-NL-0500-13	912603		1/2-13 Nylock Nut
22	F-HC-0500-13-5000	912791		1/2-13 x 5 Hex Head Capscrew
23	BH-7236-40	992143		Hyd Hose 205"-DP7 & DP97 & DP10
	BH-7236-46	992158		Hyd Hose 257"-DP97A2/S2 & DP10A2/S2
24	<b>BH-7235-00</b>	995020		<b>Cable Sheave 4-3/4" OD x 1-3/8" ID</b>
25	BH-7239-97	108802		2' Column Extension Driver Side DP97A2/S2 & DP10A2/S2
26	BH-7239-98	992496		Fitting DP7, DP97 & DP10
	BH-7239-98A	992504		Fitting DP97A2/S2 & DP10A2/S2
27	call for price	992501		3/8" Bushing to 1/4" NPT Bushing
28	BH-7239-99	991480		Overhead Shutoff Bar Spacer
29	call for price	991483		HWHTS Type F 10-24 x 1/34"
30	BH-7239-100	106801		Overhead Weldment DP97 & DP10
	BH-7239-101	119801		Overhead Weldment DP7
	BH-7239-102	108803		Overhead Weldment DP97A2/S2 & DP10A2/S2
31	BH-7239-103	991481		Padded Overhead Limit Switch Bar
32	BH-7503-65	991476		Overhead Limit Switch
33	call for price	991482		HWHTS Type F, 10-24 x 1/2"

Item	SVI part #	Ref #	Req	Description
34	<b>BH-7235-03</b>	992663		<b>Eq. Cable 32' 4.5" - DP7</b>
	<b>BH-7235-08</b>	992627		<b>Eq. Cable 33' 6" DP97/DP10 (old style)</b>
	<b>BH-7236-95</b>	1070911		<b>Eq. Cable DP10 (new style) Call to confirm</b>
	<b>BH-7236-93</b>	992659		<b>Eq. Cable 37' 4" - DP97A2/S2 &amp; DP10A2/S2</b>
35	F-NL-0625-11	913203		5/8-11 Nylock Nut
36	F-FW-0625-SAE	913206		Arm Restraint Washer
37	BH-7239-105	992212		1/4" Return Line
38	call for details	992500		Tee DP7 & DP97 & DP10
	call for details	992505		Tee DP97A2/S2 & DP10A2/S2
39	F-HC-0500-12-2500	912701		1/2-13 x 2-1/2" Hex Head Capscrew
40	F-HN-0500-13	912601		1/2-13 Hex Nut
41	F-FW-0500-USS	912605		1/2" Washer
42	BH-7239-97A	108801		2' Column Extension Pass Side DP97A2/S2 & DP10A2/S2
43	BH-7235-17	106802		Cylinder Mount Weldment DP7 & DP97A/S & DP10A/S
44	F-HC-0500-13-1750	912671		1/2-13 x 1-3/4" Hex Head Capscrew
45	BH-7236-50	992101		Hydraulic Hose 68"
46	BH-7236-43	992502		3/8" JIC Tee
47	F-HN-0312-18	911701		5/16-18 Hex Nut
48	F-NL-0312-18	911703		5/16-18 Nylock Nut
49	F-HC-0312-18-1250	911751		5/16-18 x 1-1/4" Hex Head Capscrew
<b>50</b>	<b>BH-7006-01</b>	<b>992017-9A</b>		<b>Power Unit</b>
51	BH-7235-73	992410		9/16 O-Ring to 3/8 JIC Elbow
52	call for details	158101		Pass Side Column DP97 & DP10
	call for details	119101		Passenger Side Column DP7
53	BH-7239-29	119603		Inner Arm Front DP7A
	BH-7239-17	106608		Inner Arm Front DP97A
	BH-7239-17S	106706		Inner Arm Front DP97S
	BH-7239-18	143602		Inner Arm Front DP10A - Short
	BH-7239-22	145603		Inner Arm Front DP10S - Long
54	BH-7239-27	119601		Outer Arm RF DP7 - Short
	BH-7235-41	106606		Outer Arm RF DP97A & DP10A - Short
	BH-7239-24	145602		Outer Arm RF DP97S & DP10S
55	BH-7239-30	119604		Outer Arm RR DP7
	BH-7239-19	143604		Outer Arm RR DP97A & DP10A
	BH-7239-23	145601		Outer Arm RR DP97S & DP10S
56	BH-7512-89	991127		1/4" Shim (50 Pack)
	BH-7512-90			1/16" Shim (50 Pack)
	BH-7512-91			1/8" Shim (50 Pack)
	<b>BH-7512-92</b>			<b>Shim Assortment Pack (150 Pack)</b>
57	BH-7075-03	913828		3/4" x 5-1/2" Anchor Bolt
58	BH-7089-99B	995550		6" Nesting Pad Extension
	BH-7089-99A			5" Nesting Pad Extension
	BH-7089-98	995560		3" Nesting Pad Extension
	BH-7235-72	996220		1-1/2" Nesting Pad Extension
59	BH-7236-42	992156		Mainside Hose
60	BH-7235-34	914502		Arm Pin

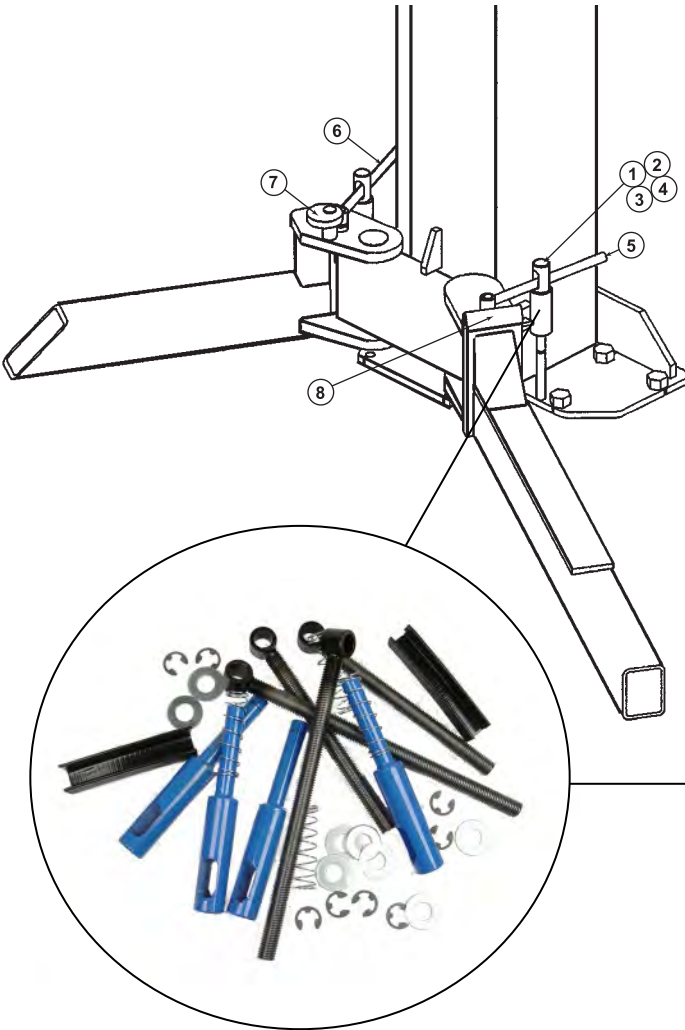


**The next time you relocate a lift, use SVI Ultrawedge Full Thread Wedge Anchors. Ask for BH-7075-03**



# For Lift Model DP7A / DP97A Series / DP10A Series

**DIRECTFIT™**  
SVI'S DIRECT FIT™ BRAND



### Arm Restraint Parts Detail

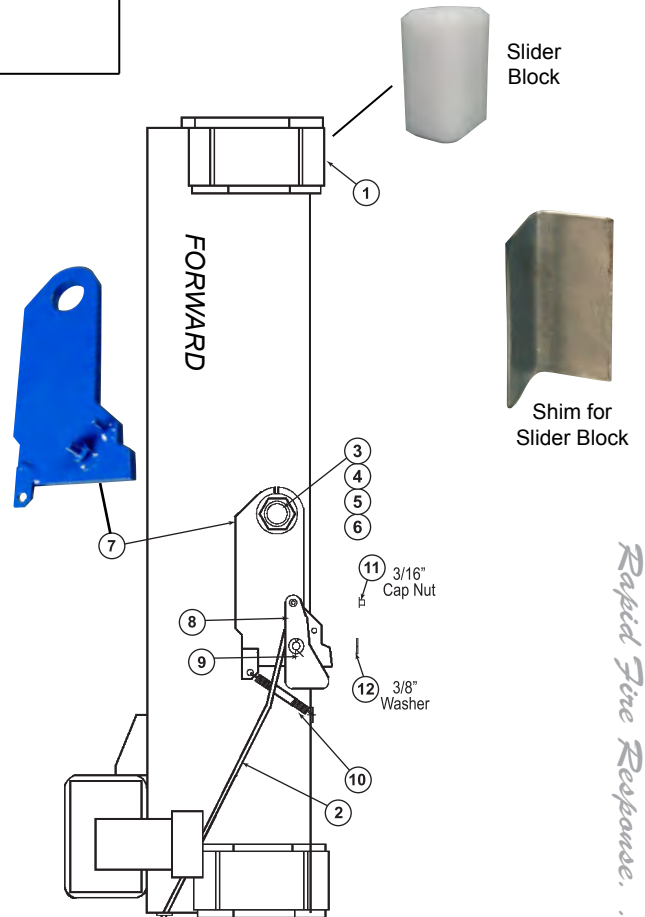
Item	SVI part #	Ref #	Description
1	BH-7235-56	148701	Arm Rest Plunger DP97 & DP10 - 7"
	BH-7235-53	148705	Arm Restraint Plunger DP7 - 10.4"
	BH-7235-56	148701	Arm Restraint Plunger DP97S, DP10S
2	F-FW-0625-SAE 913206		Arm Restraint Washer
3	BH-7235-24E	991209	Arm Restraint E-Clip 5/8"
4	BH-7235-25	991216	Arm Restraint Spring
5	BH-7235-51	148702	Rear Arm Rest Slider DP97A & DP10A
	BH-7235-57	148704	Arm Rest Slider DP97S & DP10S
	BH-7235-54	148703	Front Arm Rest Slider DP7, 97A & 10A
7	BH-7235-40	991269	Rubber Bumper Stop

### Arm Restraint Kits - (For All Four Arms)

Item	SVI part #	Ref #	Description
--	BH-7235-23	158K01	Arm Rest. Kit DP97A / DP10A / DPO9A
--	BH-7235-23X	159K01	Arm Restraint Kit DP97 / DP10

### Carriage Lock Detail

Item	SVI part #	Ref #	Description
--	BH-7237-30	070502	<b>Safety Release Assembly</b> (Model and Serial # are required when ordering)
1	BH-7235-27	995120	<b>Carriage Slider Block</b>
	BH-7235-27A	106518	<b>Shim for Carriage Slider Block</b>
2	BH-7237-19	90541	Lock Release Rod 17"
3	F-HC-1000-14	914402	1-14 Hex Nut Grade 8
4	F-FW-1000	914406	1" Washer
5	BH-7235-64	106521	Latch Pivot
6	F-HC-1000-14-2500		1-14 x 2-1/2 HHCS Grade 8
7	BH-7235-45	106502	<b>Safety Latch Weldment</b>
8	BH-7235-63	070528M	Latch Release Pivot
9	BH-7236-56	991077	Cotter Pin
10	BH-7237-86	991071	Spring Latch
11	BH-7235-65	991070	Cap Nut
12	F-FW-0375-USS	912005	3/8" Washer



*Rapid Fire Response...*

P  
a  
g  
e

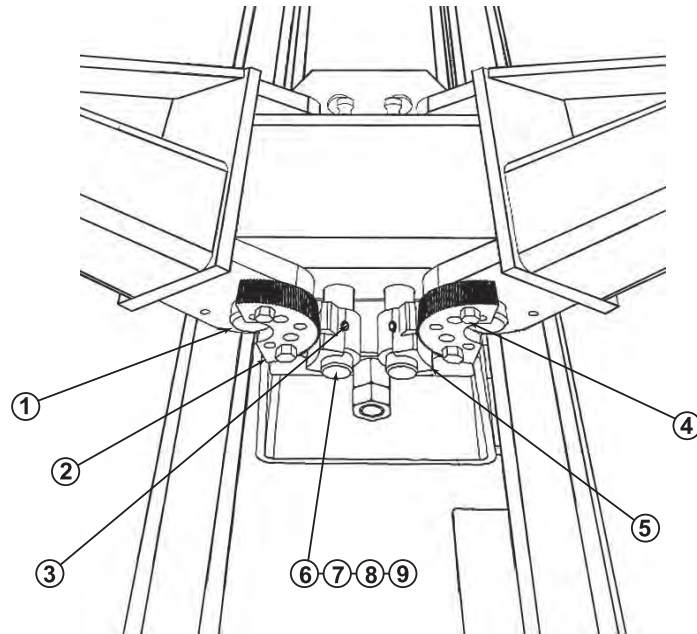
# For Lift Model 9000B

**DIRECTFIT™**  
SVI's DIRECT FIT™ BRAND



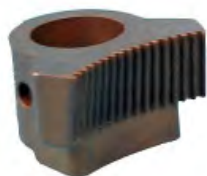
## Arm Restraint Detail

Item	SVI part #	Ref #	Req	Description
1	BH-7235-34	995430	4	Arm Pin
2	<b>BH-7545-16</b>	<b>143534</b>	<b>4</b>	<b>Main Restraint Gear</b>
3	F-RP-0250-1500	991060	4	1/4" X 1-1/2" Roll Pin
4	F-HC-0375-18-1500		8	3/8-16 x 1-1/2" Hex Head Capscrew
5	<b>BH-7545-17</b>	<b>143535</b>	<b>4</b>	<b>Arm Restraint Engage Gear</b>
6	BH-7239-78	143536	4	Arm Restraint Pin
7	BH-7239-79	143537	4	Arm Restraint Spring
8	BH-7239-77-1	994258x	4	Arm Restraint <b>Kit</b> (one arm)
9	BH-7239-77-4	994258	1	Arm Restraint <b>Kit</b> (entire lift)



SVI has the largest selection of repair products available in the automotive industry!

**Auto Lifts**  
**Tire Changers**  
**Brake Lathes**  
and more  
**SVI is your answer!**



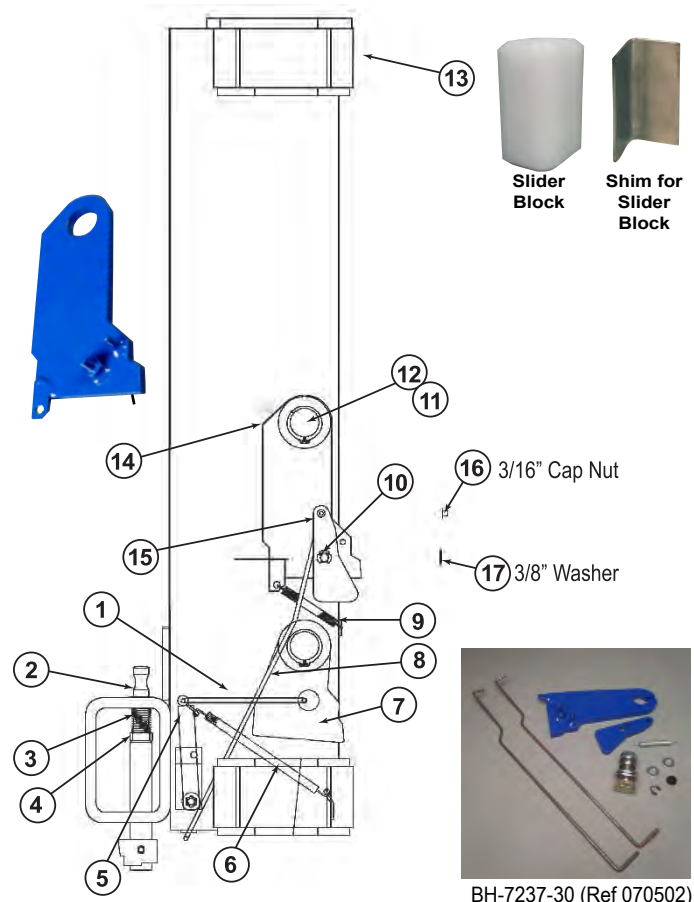
Restraint Engage Gear



Main Restraint Gear

## Carriage Lock Detail

Item	SVI part #	Ref #	Req	Description
--	<b>BH-7237-30</b>	<b>070502</b>		<b>Safety Release Assembly</b> (Model and Serial # are required when ordering)
1	BH-7239-124	090542		Slack Chain Rod
2	BH-7239-78	143536	4	Arm Restraint Pin
3	BH-7239-79	143537	4	Arm Restraint Spring
4	BH-7239-78SP	143536x	4	Arm Restraint Pin and Spring Kit
5	BH-7239-206	090502		Slack Chain Lever Linkage
6	BH-7239-207	991121		Slack Chain Spring
7	BH-7239-208	090540		Slack Chain Lock
8	BH-7237-19	90541		Lock Release Rod 17"
9	BH-7237-86	991071		Spring Latch
10	Call with Size			Hex Nut
11	F-FW-1000-USS			1" Flat Washer
12	Call for details			Retaining Ring
13	<b>BH-7235-27</b>	<b>995120</b>		<b>Carriage Slider Block</b>
	<b>BH-7235-27A</b>	<b>106518</b>		<b>Shim for Carriage Slider Block</b>
	<b>BH-7235-27K</b>	995120 / 106518		<b>Kit including 1 Block &amp; 1 Shim</b>
14	<b>BH-7235-45</b>	<b>106502</b>		<b>Safety Latch Weldment</b>
15	BH-7235-63	070528M		Latch Wipeout
16	BH-7235-65	991070		Cap Nut
17	F-FW-0375-USS	912005		3/8" Washer



BH-7237-30 (Ref 070502)

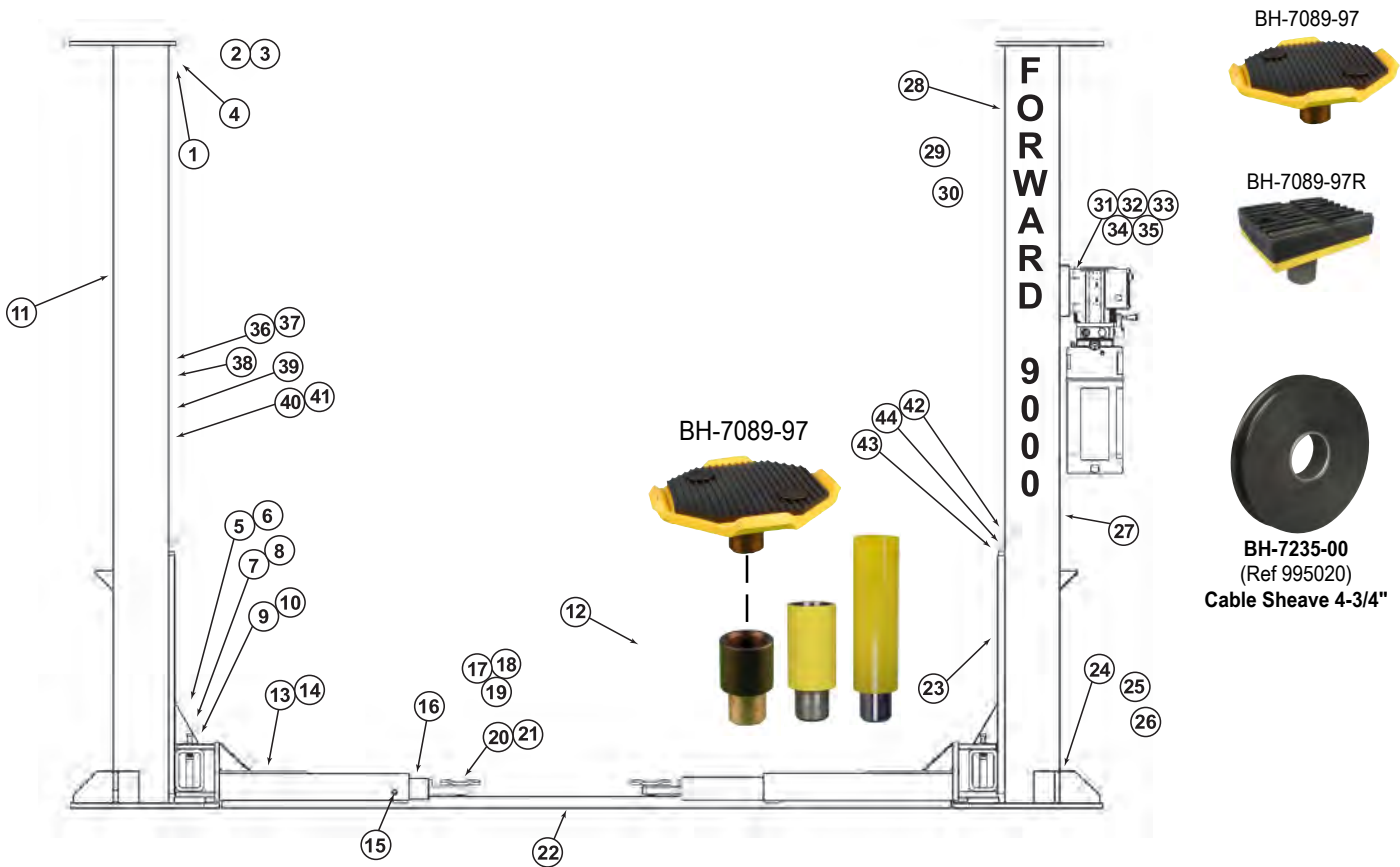
**Absolutely, SVI is your answer!** 17





For Lift Model 9000B

**DIRECTFIT™**  
SVI's DIRECT FIT™ BRAND



Item	SVI part #	Ref #	Req	Description
1	BH-7239-127	070301	2	Top Cable Sheave Support
2	F-HC-0500-13-2500	912701		1/2-13 x 2-1/2 Hex Head Capscrew
3	F-HN-0500-13	912601		1/2-13 Hex Nut
4	F-FW-0500-USS	912605		1/2" Washer
5	<b>BH-7235-00</b>	<b>995020</b>	<b>8</b>	<b>Cable Sheave 4-3/4" OD x 1-3/8" ID</b>
6	BH-7236-37	992131	1	Hydraulic Hose 117"
7	call for price	992408		3/8" Pipe Plug
8	BH-7235-74	992403		Fitting
9	F-SB-0250-20-1250	911761		1/4-20 x 1-1/4 Shoulder Bolt
10	F-NL-0250-20	911403		1/4-20 Nylock Nut
12	BH-7089-99B	995550		6" Nesting Pad Extension
	BH-7089-99A			5" Nesting Pad Extension
	BH-7089-98	995560		3" Nesting Pad Extension
	BH-7235-72	996220		1-1/2" Nesting Pad Extension
15	call for price	991487		3/8" x 1/2" long Self Tapping Screw
17	<b>BH-7089-97</b>	<b>106605</b>	<b>4</b>	<b>Adapter Base &amp; Octagon Pad 1-1/4" Pin</b>
	<b>BH-7089-97R</b>			<b>Adapter Base &amp; Rectangle Pad 1-1/4" Pin</b>
18	<b>BH-7235-90A</b>	991234	4	<b>Rubber Pad - standard duty</b>
	<b>BH-7235-90</b>	994105	1	<b>Rubber Pad Kit - standard duty</b>
	<b>BH-7235-90AX</b>		4	<b>Rubber Pad - heavy duty</b>
	<b>BH-7235-90K</b>		1	<b>Rubber Pad Kit - heavy duty</b>
19	F-EB-0250-20-1250	991243		1/4-20 x 1-1/4 Elevator Bolt
20	F-HN-0250-20	911401		1/4-20 Hex Nut
21	F-FW-0250-USS	911405		1/4" Washer

Item	SVI part #	OEM #	Req	Description
24	call for price	992404		3/8" JIC x 3/8 NPT Elbow
25	call for price	992405		3/8" x 6 Schedule 80 Pipe Nipple
26	<b>BH-7236-50</b>	<b>992101</b>	<b>1</b>	<b>Hydraulic Hose 68"</b>
27	call for price	116101	1	Power Unit Column
28	BH-7239-128	991211		Sheave Bushing
29	BH-7203-041	991030		Top Rail Snap Ring
30	BH-7239-129	995040M		7" Cable Sheave
31	BH-7006-01	992017-9A		Power Unit
32	F-HN-0312-18	911701		5/16-18 Hex Nut
33	F-NL-0312-18	911703		5/16-18 Nylon Insert Lock Nut
34	F-HC-0312-18-1250	911751		5/16-18 x 1-1/4" Hex Head Capscrew
35	BH-7235-73	992410		9/16" O-Ring to 3/8" JIC Elbow
36	BH-7236-01	992301	2	Hydraulic Cylinder Prince 36"
	BH-7235-10	991192		Seal Kit for Waltco Cylinder
	BH-7235-11	991193		Seal Kit for TMS Cylinder
	BH-7235-12	991305		Seal Kit for Holmac Cylinder
	BH-7235-12A	991284		Seal Kit for Prince Cylinder
37	BH-7237-31	992613	2	Lift Chain
38	BH-7236-10	995060HT	2	Chain Yoke Roller with Bearing
39	BH-7238-78	051804		Bearing Shaft Weldment
40	BH-7239-132	991224		Bearing 1-1/4" Dia. x 1-3/4 Lg.
41	F-RR-1250	991223		1-1/4" Snap Ring
42	<b>BH-7235-09F</b>	<b>992645</b>	<b>2</b>	<b>Equalizer Cable 29' 7"</b>
	<b>BH-7235-04</b>	<b>992624</b>	<b>2</b>	<b>Equalizer Cable 31' 6"</b>
43	F-NL-0625-11	913203		5/8-11 Nylock Nut
44	BH-7235-64	106521		Latch Pivot

P  
a  
g  
e  
18

# For Lift Model I-DP9

**DIRECTFIT™**

SVI's DIRECT FIT™ BRAND

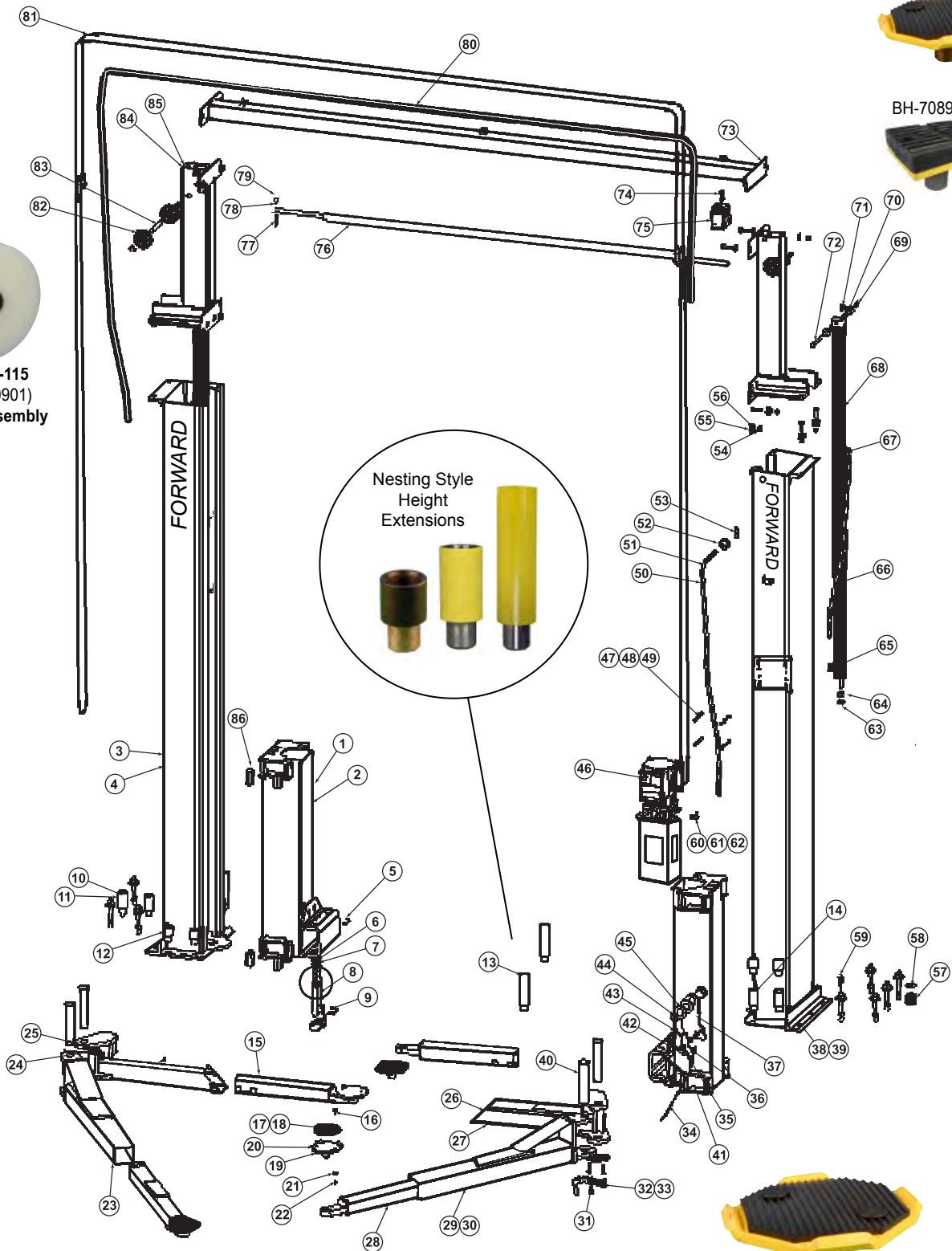
BH-7089-97



BH-7089-97R



**BH-7239-115**  
(Ref 0970901)  
Sheave Assembly



*Rapid Fire Response*



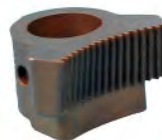
BH-7089-97 adapter base.  
See items 17 and 18 for  
rubber pad options.



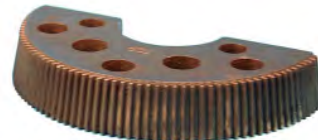
# For Lift Model I-DP9

Item	SVI part #	Ref #	Req	Description
1	call for price	0970500	2	Carriage Assembly
2	call for price	0970501	2	Carriage Weldment
3	call for price	0970101	1	Passenger Side Column
4	call for price	0970100	1	Passenger Side Column Assembly
5	BH-7239-107	991504	10	3/4" Klip-Ring
6	BH-7239-79	143537	4	Arm Restraint Spring
7	BH-7239-78S	116533	4	Arm Restraint Pin Spacer
8	BH-7239-78	143536	4	Arm Restraint Pin
9	F-RP-250-1500	991060	4	1/4" Roll Pin x 1-1/2
10	BH-7089-99A			5" Nesting Pad Extension
11	BH-7239-120	994257	1	Nesting Height Extension Kit
12	BH-7235-72	996220		1-1/2" Nesting Pad Extension
13	BH-7089-99B	995550		6" Nesting Pad Extension
14	BH-7089-98	995560		3" Nesting Pad Extension
15	BH-7239-48	1070631	2	Front Inner Arm
16	F-EB-0250-20-1250	991243	8	1/4-20 x 1-1/4" Elevator Bolt
17	<b>BH-7235-90</b>	994105	1	<b>Rubber Pad Kit - standard duty</b>
	<b>BH-7235-90K</b>		1	<b>Rubber Pad Kit - heavy duty</b>
18	<b>BH-7235-90A</b>	991234	4	<b>Rubber Pad - standard duty</b>
	<b>BH-7235-90AX</b>		4	<b>Rubber Pad - heavy duty</b>
19	BH-7089-97A	106605	4	Adapter Base Only
20	BH-7089-97	106605	4	Adapter Base & Octagon Pad 1-1/4" Pin Diameter
	BH-7089-97R			Adapter Base & Rectangle Pad 1-1/4" Pin Diameter
21	F-FW-0250-USS	911405	8	1/4" Flat Washer
22	F-NL-0250-20	911401	8	1/4-20 Nylock Nut
23	call for price	991487	4	Inner Arm Stop Screw
24	BH-7239-82A	1070623	1	Outer Rear Swing Arm
25	BH-7239-82	1070622	1	Rear Swing Arm Assembly
26	BH-7239-69	1070624	1	Front Swing Arm Assembly
27	BH-7239-69A	1070625	1	Outer Front Swing Arm
28	BH-7239-47	1070629	2	Rear Inner Arm
29	BH-7239-68	0970619	2	Swing Arm Assembly Rear I-DP9A
30	BH-7239-68A	0970620	2	Outer Swing Arm Rear I-DP9A
31	F-HC-0375-16-1500	912061	8	3/8-16 x 1-1/2" Hex Head Capscrew
32	<b>BH-7545-17</b>	<b>143535</b>	<b>4</b>	<b>Arm Restraint Engage Gear</b>
33	<b>BH-7545-16</b>	<b>143534</b>	<b>4</b>	<b>Main Restraint Gear</b>
34	BH-7239-108	143540	2	Carriage Lock Release Rod
35	F-FW-0375-USS	912005	4	3/8" Flat Washer
36	BH-7235-65	991070	2	Cap Nut
37	<b>BH-7235-45</b>	<b>106502</b>	<b>2</b>	<b>Safety Latch Weldment</b>
38	call for price	0970109	1	Power Unit Column Assembly
39	call for price	0970110	1	Power unit Column
40	BH-7235-34	995430	4	Swing Arm Pin
41	BH-7237-86	991071	2	Latch Spring
42	F-RR-0375	991503	2	3/8" Klip-Ring
43	BH-7235-63	070528	2	Latch Wipe Out
44	BH-7203-041	991030	2	Top Rail Snap Ring
45	F-FW-1250-SAE	915206	4	1-1/4" SAE Washer
46	<b>BH-7006-01</b>	<b>992017</b>	<b>1</b>	<b>Power Unit</b>
47	F-NL-0312-18	911703	4	5/16-18 Nylock Nut
48	F-HN-0312-18	911701	4	5/16-18 Hex Nut
49	F-HC-0312-18-1250	911751	4	5/16-18 HHCS x 1-1/4" Lg.
50	BH-7239-109	0970904	1	Hydraulic Hose Kit
51	BH-7236-42	992156	1	Hydraulic Hose 56"

Item	SVI part #	OEM #	Req	Description
52	BH-7239-110	991491	1	Rubber Grommet
53	F-3705-6	992502	1	3/8" JIC Tee
54	F-HN-0500-13	912601	16	1/2-13 Hex Nut
55	F-HC-0500-13-1750	912671	16	1/2-13 HHCS x 1-3/4" Lg.
56	F-FW-0500-USS	912605	40	1/2" Flat Washer
57	BH-7512-89	991127		1/4" Shim (50 Pack)
	BH-7512-90			1/16" Shim (50 Pack)
	BH-7512-91			1/8" Shim (50 Pack)
	<b>BH-7512-92</b>			<b>Shim Assortment Pack (150 Pack)</b>
59	BH-7075-03	913828	10	Anchor Bolt
60	BH-7011-10		1	Power Unit Vibration Damper Gasket
61	BH-7235-73	992410		9/16" O-Ring to 3/8" JIC Elbow
62	call for price	0970908	1	1/4" Push to Lock Plug
63	F-JN-0750-10	913611	2	3/4-16 Hex Jam Nut
64	F-HN-0750-10	913602	2	3/4-16 Hex Nut
65	BH-7236-99	992402	2	Elbow
66	BH-7236-52	992132	1	By Pass Return Line 34"
67	BH-7239-96	991082	2	24" Plastic Tie Wrap
68	BH-7236-02	992317	2	Hydraulic Cylinder
	<b>See Seal Kits for Forward shown later in this directory.</b>			
69	F-NL-0500-13	912603	6	1/2-13 Nylock Nut
70	BH-7239-111	0970804	4	Cylinder Bushing
71	BH-7239-112	992409	2	3/8" NPT Breather
72	F-HC-0500-13-0500	912791	2	1/2-13 x 1/2" Hex Head Capscrew
73	BH-7239-113	0970811	1	Overhead Structure
74	F-HC-0250-20-0500	911421	2	1/4-20 x 1/2" Hex Head Capscrew
75	BH-7239-104	0970902	1	Overhead Limit Switch Assembly
76	BH-7239-103	991481	1	Overhead Limit Bar Assembly
77	F-HC-0250-20-2000	911481	1	1/4-20 x 2" Hex Head Capscrew
78	BH-7239-99	991480	1	Overhead Switch Spacer
79	F-FLN-0250-20	991490	3	1/4-20 Flange Lock Nut
80	BH-7237-57	992167	1	Hydraulic Hose 222"
81	BH-7239-60	0970912	2	Equalizer Cable 33' 4" (set of 2)
82	BH-7239-115	0970901	6	Sheave Assembly
83	BH-7239-116	0970802	2	Sheave Pin
84	call for price	0970812	2	Column Extension Assembly
85	call for price	0970813	2	Column Extension Weldment
86	<b>BH-7235-27</b>	<b>995120</b>	<b>16</b>	<b>Carriage Slider Block</b>
	<b>BH-7235-27A</b>	<b>106518</b>		<b>Shim for Carriage Slider Block</b>



**BH-7545-17** (Ref 143535)  
Restraint Engage Gear



**BH-7545-16** (Ref 143534)  
Main Restraint Gear

### arm restraint detail

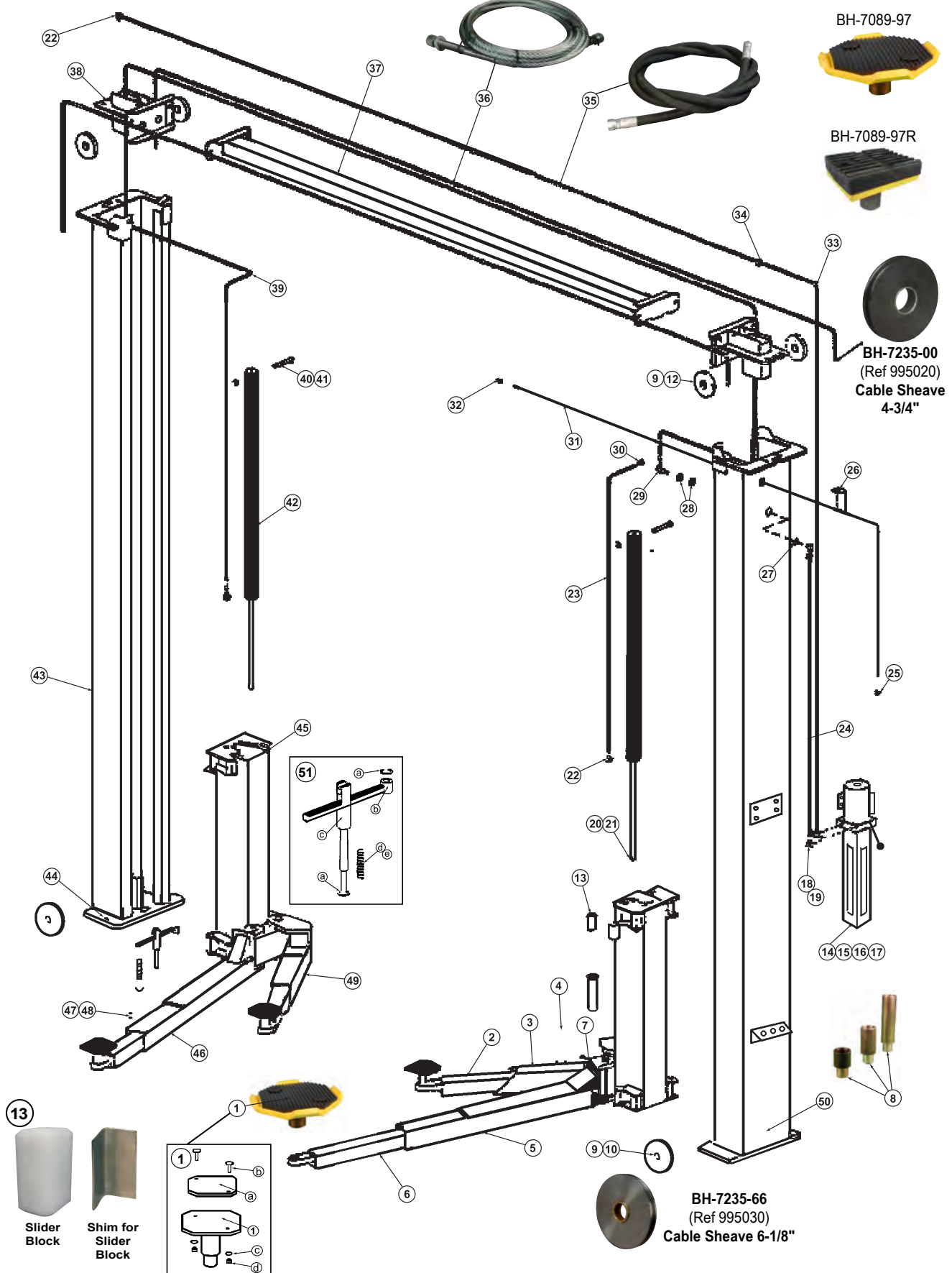
Item	SVI part #	Ref #	Req	Description
6	BH-7239-79	143537	4	Arm Restraint Spring
7	BH-7239-78S	116533	4	Arm Restraint Pin Spacer
8	BH-7239-78	143536	4	Arm Restraint Pin
9	F-RP-0250-1500	991060	4	1/4" X 1-1/2" Roll Pin
31	F-HC-0375-18-1500		8	3/8-16 x 1-1/2" Hex Head Capscrew
32	BH-7545-17	143535	4	Arm Restraint Engage Gear
33	BH-7545-16	143534	4	Main Restraint Gear
	BH-7239-77-1	994258x	4	Arm Restraint <b>Kit</b> (one arm)
	BH-7239-77-4	994258	1	Arm Restraint <b>Kit</b> (entire lift)



For Lift Model DPO9A / DPO9A2

**DIRECTFIT™**

SVI's DIRECT FIT™ BRAND



BH-7089-97



BH-7089-97R



BH-7235-00  
(Ref 995020)  
Cable Sheave  
4-3/4"



BH-7235-66  
(Ref 995030)  
Cable Sheave  
6-1/8"



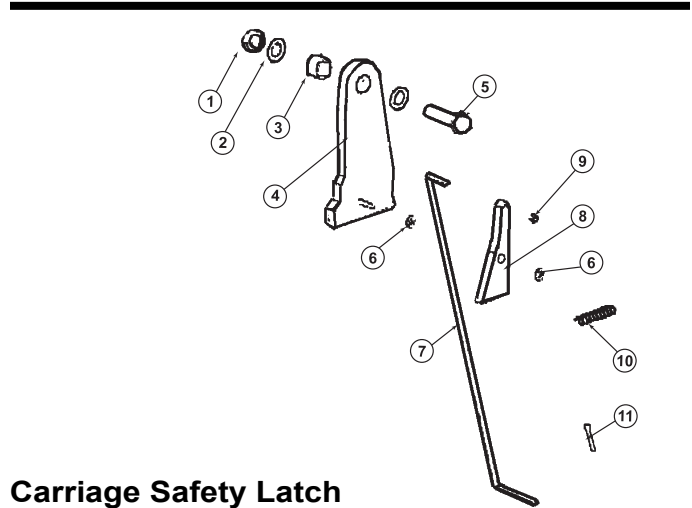
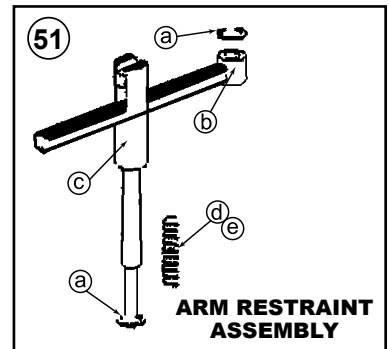
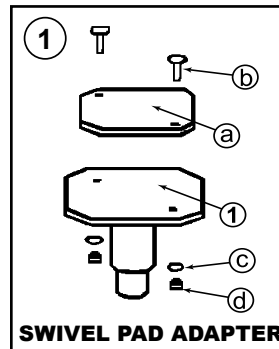
# For Lift Model DPO9A / DPO9A2

**DIRECTFIT™**

SVI's DIRECT FIT™ BRAND

Item	SVI part #	Ref #	Req	Description
1	BH-7089-97	106605	4	Adapter Base & Octagon Pad 1-1/4" Pin Diameter
	BH-7089-97R			Adapter Base & Rectangle Pad 1-1/4" Pin Diameter
1a	BH-7235-90A	991234	4	Rubber Pad - standard duty
	BH-7235-90	994105	1	Rubber Pad Kit - standard
	BH-7235-90AX		4	Rubber Pad - heavy duty
	BH-7235-90K		1	Rubber Pad Kit - heavy duty
1b	F-EB-0250-20-1000	991243	8	1/4" x 1" Elevator Bolt
1c	F-FW-0250-USS	911405	8	1/4" Flat Washer
1d	F-HN-0250-20	911401	8	1/4"-20 Hex Nut
2	BH-7239-17	106608	2	Short Inner Swing Arm
3	BH-7235-41	106606	1	Outer Front Swing ArmRH
4	BH-7235-34	995430	4	Swing Arm Pin 8"
5	BH-7239-225	106704	1	Outer Rear Swing Arm RH
6	BH-7239-21	106703	2	Inner Rear Swing Arm
7	BH-7235-91	991303	2	Bumper Strip 4-5/8" Long
8	BH-7089-99B	995550		6" Pad Extension
	BH-7089-98	995560		3" Pad Extension
	BH-7235-72	996220		1-1/2" Pad Extension
9	BH-7203-041	991030		Top Rail Snap Ring
10	BH-7235-66	995030	2	Cable Sheave 6-1/8"
11	BH-7239-128	991211		Sheave Bushing
12	BH-7235-00	995020	4	Cable Sheave 4-3/4" OD x 1-3/8" ID
13	BH-7235-27	995120	16	Carriage Slider Block
	BH-7235-27A	106518		Shim for Carriage Slider Block
14	BH-7006-01	992017	1	Power Unit AB-1135, RV19
15	F-HN-0312-18	911701	4	5/16" - 18 Hex Nut
16	F-NL-0312-18	911703	4	5/16-18 Nylock Nut
17	F-HC-0312-18-1000	911741	4	5/16-18 x 1" Hex Head Capscrew
18	BH-7235-73	992410		9/16" O-Ring to 3/8" JIC Elbow
19	BH-7235-67	992426		3/8" JIC 90 Swivel Nut
20	F-HN-0750-16	913602		3/4-16 Hex Nut
21	F-JN-0750-16	913611		3/4-16 Jam Nut
22	F-3405-6-6	992402		Elbow
23	BH-7236-42	992156	1	Hydraulic Hose 56"
24	BH-7236-39	992142	1	Hydraulic Hose 62" DPOA9
	BH-7237-55	992161		Hydraulic Hose 77" DPOA9A2
25	BH-7239-88	991244		1/8" Cable Clamp Threaded
26	BH-7239-89	106804		Overhead Limit Cable Ring
27	F-JN-0562-18	992454		3/8" Bulkhead Nut
28	F-FW-0562-SAE	912906		9/16" Flatwasher
29	F-3965-6	992431		3/8" JIC Bulkhead Run Tee
30	F-3355SW-6	995464		3/8" JIC 45 Swivel Nut
31	BH-7235-09C	992609		Limit Switch Cable 1/16" x 16"
32	BH-7239-90	991084		1/16 Cable Clamp
33	BH-7236-32	992137		3/8" Hose x 86" High Press
34	F-3605-6-6-6	992419		3/8" JIC Branch T to 3/8" MNPT
35	BH-7236-41	992144	1	Hydraulic Hose 114" DPOA9
	BH-7236-48	992159	1	Hydraulic Hose 176" DPOA9A2
36	BH-7235-08	992627	2	Equalizer Cable DPOA9
	BH-7235-09A	992639	2	Equalizer Cable DPOA9A2
37	BH-7239-100	106801	1	Overhead Weldment 113"
38	BH-7235-17	106802	2	Cylinder Mount Weldment
39	BH-7236-44	992157	1	Hydraulic Hose 209" DPOA9
	BH-7236-46	992158	1	Hydraulic Hose 257" DPOA9A2
40	F-NL-0500-13	912603		1/2-13 Nylock Nut
41	F-HC-0500-13-5000	912791		1/2-13 x 5" Hex Head Capscrew
42	BH-7236-02	992317	2	Hydraulic Cylinder
	<b>See Seal Kits for Forward shown later in this directory.</b>			

Item	SVI part #	OEM #	Req	Description
43	call for price	106201		Column
44	BH-7075-03	913828		3/4" x 5-1/2" Anchor Bolt
45	BH-7239-42	106501	1	Carriage Weldment
46	BH-7239-226	106705	1	Outer Rear Swing Arm LH
47	F-HC-0500-13-0750	912631		1/2-13 x 3/4" Hex Head Capscrew
48	F-LW-0500	912607		1/2" Lock Washer
49	BH-7235-42	106607	1	Inner Front Swing Arm LH
50	call for price	106101	1	Power Unit Column
51	BH-7235-23	158K01		<b>Arm Restraint Kit</b>
51a	BH-7235-24E	991209	8	Arm Restraint E-Clip 5/8"
51b	BH-7235-51	070705	2	Arm Restraint Slider Front 8"
	BH-7235-54	106701	2	Arm Restraint Slider Rear 11.75"
51c	BH-7235-56	106702	4	Arm Restraint Plunger 7"
51d	BH-7235-25	991216	4	Arm Restraint Spring
51e	F-FW-0625-SAE	913206	8	Arm Restraint Washer 5/8"
51f	BH-7235-23C		2	Edge Protector (not pictured)

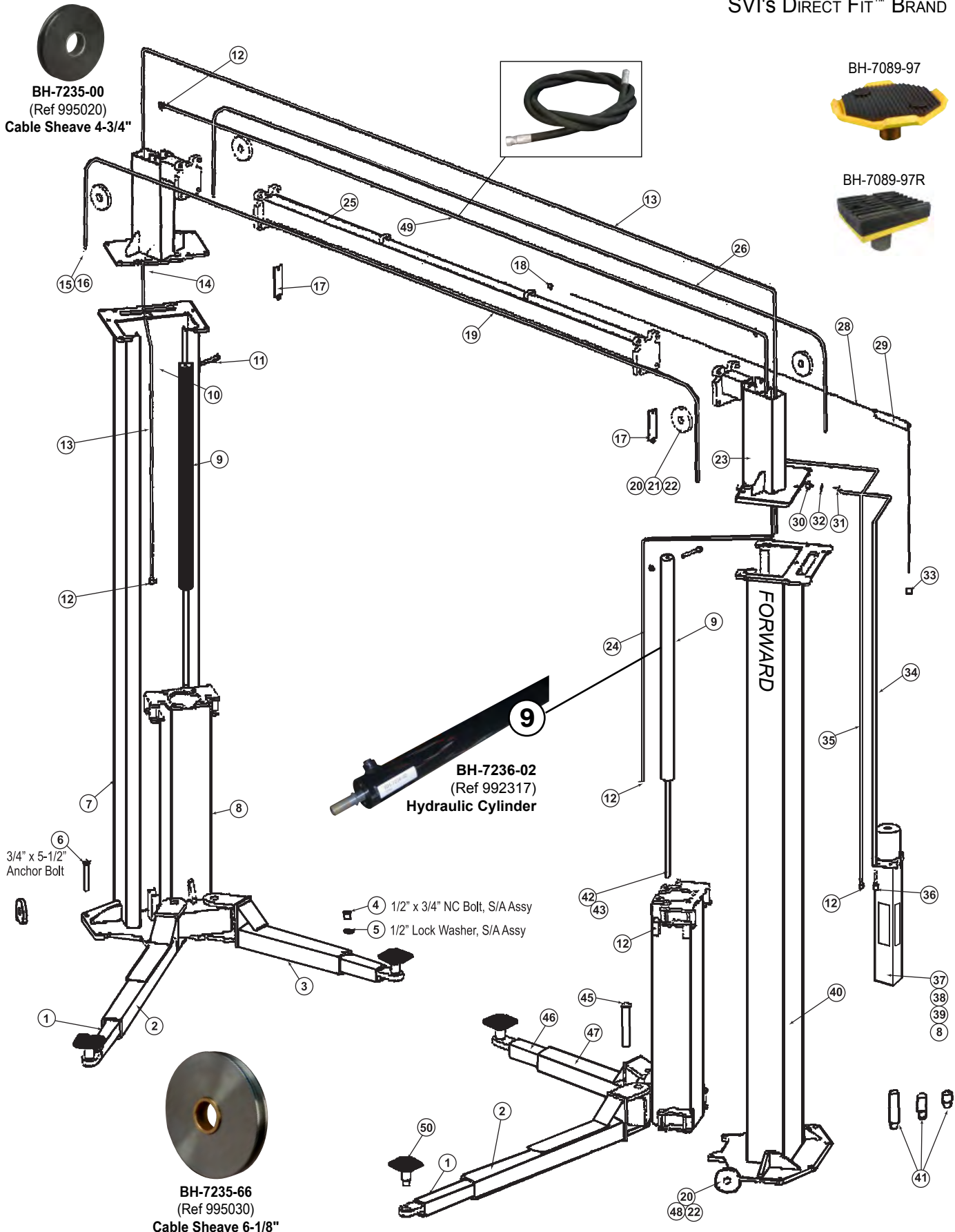


### Carriage Safety Latch

Item	SVI part #	Ref #	Req	Description
1	F-NL-0750-16	913600	2	3/4-16 Nylock Nut
2	F-FW-0750	913605	2	3/4" Flatwasher
3	BH-7239-95	070530	2	Latch Pivot
4	BH-7239-94	070525	2	Safety Latch
5	F-HC-0750-16-2000	913682	2	3/4-16 x 2 Hex Head Capscrew
6	F-FW-0375-USS	912005	2	3/8" Washer
7	BH-7237-19	090541	2	Lock Release Rod 17"
8	BH-7235-63	070528	2	Safety Latch Release Pawl
9	BH-7235-65	991070	2	Cap Nut
10	BH-7237-86	991071	2	Spring Latch
11	F-CP-094-1500	991077	2	Cotter Pin 3/32" x 1-1/2"

**For Lift Model 10000A / 10000A2**

**DIRECTFIT™**  
SVI's DIRECT FIT™ BRAND





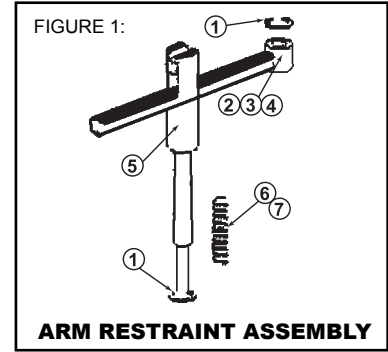
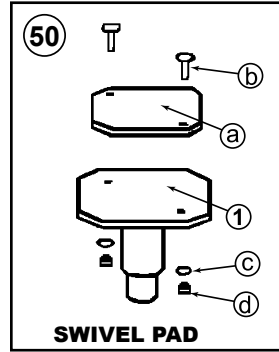


# For Lift Model 10000A / 10000A2

Item	SVI part #	OEM #	Req	Description
1	BH-7239-12	112608	1	Inner Rear Swing Arm LH
2	BH-7239-11	112607	1	Inner Rear Swing Arm RH
3	BH-7239-09	112605		Arm Tube Short LH
4	F-HC-0500-13-0750	912631		1/2-13 x 3/4" Hex Head Capscrew
5	F-LW-0500	912607		1/2" Lock Washer,
6	BH-7075-03	913828	16	3/4" x 5-1/2" Anchor Bolt
7	call for price	112201	1	Driver side Column
8	BH-7239-41	057501		Carriage Weldment
9	BH-7236-02	992317	2	Hydraulic Cylinder 2 x 67-1/2

See Seal Kits for Forward shown later in this directory.

10	F-NL-0500-13	912603	2	1/2-13 Nylock Nut
11	F-HC-0500-13-5000	912791	2	1/2-13 x 5" Hex Head Capscrew
12	BH-7236-99	992402		Elbow
13	BH-7236-40	992143	1	Hydraulic Hose 205"
	BH-7236-51	992153	1	Hydraulic Hose 253" A2
14	call for price	057802	2	Driver side Upright
15	BH-7235-69	913604		Lock Nut
16	F-FW-0750-SAE	913606		3/4" SAE Washer
17	BH-7239-227	056805		Overhead Limit Cable Ring
18	BH-7239-90	991084		1/16" Cable Clamp
19	<b>BH-7235-08</b>	<b>992627</b>	<b>1</b>	<b>Eq Cable 33'-6" (see also item 26)</b>
	<b>BH-7235-09A</b>	<b>992639</b>	<b>1</b>	<b>Eq Cable 37'-6" A2 (see also item 26)</b>
20	BH-7203-041	991030		Top Rail Snap Ring
21	BH-7235-00	995020	4	Cable Sheave 4-3/4" OD x 1-3/8" ID
22	BH-7239-128	991211		Sheave Bushing
23	call for price	057801	1	Passenger side Upright
24	BH-7236-38	992141	1	Hydraulic Hose 55" 10A
25	BH-7239-228	057803	1	Overhead Weldment 100-3/4"
26	BH-7235-09	992630	1	Eq Cable 33' (see also Item 19)
	BH-7235-09E	992640	1	Eq Cable 37' A2 (see also Item 19)
27	F-3605-6-6-6	992419		3/8" JIC Branch Tee to 3/8" MNPT
28	BH-7235-09C	992609		Cable, Limit Switch, 1/16 x 16'
29	BH-7239-229	057804		Upright Limit Cable Ring
30	BH-7237-35	992463		Bulkhead Fitting
31	F-3355SW-6	992464		3/8" JIC 45 Swivel Nut
32	F-JN-0562-18	992454		3/8" Bulkhead Nut
33	BH-7239-88	991244		1/8" Cable Clamp
34	BH-7236-39	992142	1	Hydraulic Hose 62", 10A
35	BH-7236-32	992137	1	Hydraulic Hose 86"
36	BH-7235-73	992410		9/16" O-Ring to 3/8" JIC Elbow
37	BH-7006A*	992030	1	Power Unit w/ RV21 (BH-7006-48)
38	F-HN-0312-18	911701	4	5/16" - 18 Hex Nut
39	F-NL-0312-18	911703	4	5/16-18 Nylock Nut
40	call for price	112101		Power Unit Column
41	BH-7089-99B	995550		6" Pad Extension
	BH-7089-98	995560		3" Pad Extension
	BH-7235-72	996220		1-1/2" Pad Extension
42	F-HN-0750-16	913602		3/4-16 Hex Nut
43	F-JN-0750-16	913611		3/4-16 Jam Nut
44	<b>BH-7235-27</b>	<b>995120</b>	<b>16</b>	<b>Carriage Slider Block</b>
	<b>BH-7235-27A</b>	<b>106518</b>		<b>Shim for Carriage Slider Block</b>
45	BH-7235-34	995430	4	Arm Pin 8"
46	BH-7239-10	112606	2	Inner Swing Arm Front
47	BH-7239-08	112604	1	Outer Swing Arm Front RH
48	BH-7235-66	995030	2	Cable Sheave 6-1/8"
49	BH-7236-41	992144	1	Hydraulic Hose 114"
	BH-7237-52	992154	1	Hydraulic Hose 162" A2

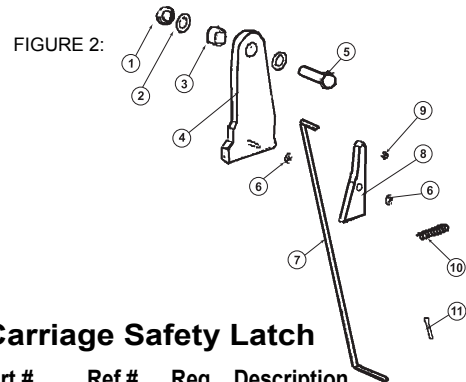


## Swivel Pad with Rubber Pad

Item	SVI part #	Ref #	Req	Description
50	BH-7089-97	106605	4	Adapter Base and Pad 1-1/4" Pin
50a	<b>BH-7235-90A</b>	<b>991234</b>	<b>4</b>	<b>Rubber Pad - standard duty</b>
	<b>BH-7235-90</b>	<b>994105</b>	<b>1</b>	<b>Rubber Pad Kit - standard duty</b>
	<b>BH-7235-90AX</b>		<b>4</b>	<b>Rubber Pad - heavy duty</b>
	<b>BH-7235-90K</b>		<b>1</b>	<b>Rubber Pad Kit - heavy duty</b>
50b	F-EB-0250-20-1000	991243	8	1/4" x 1" Elevator Bolt
50c	F-FW-0250-USS	911405	8	1/4" Flat Washer
50d	F-HN-0250-20	911401	8	1/4"-20 Hex Nut

## Figure 1: Arm Restraint Assembly Kit and Parts

Item	SVI part #	Ref #	Req	Description
<b>KIT</b>	BH-7235-38	112K02	1	Arm Restraint Kit (all four arms)
1	BH-7235-24E	991209	8	Arm Restraint E-Clip 5/8"
2	BH-7235-57	148704	2	10" Front Slider (round now)
3	BH-7235-55	148708	2	10" Bumper Slider (round now)
4	BH-7235-40	991269	2	Rubber Bumper
5	BH-7235-53	148705	4	Arm Restraint Plunger 10.4"
6	BH-7235-25	991216	4	Arm Restraint Spring
7	F-FW-0625-SAE	913206	4	Arm Restraint Washer

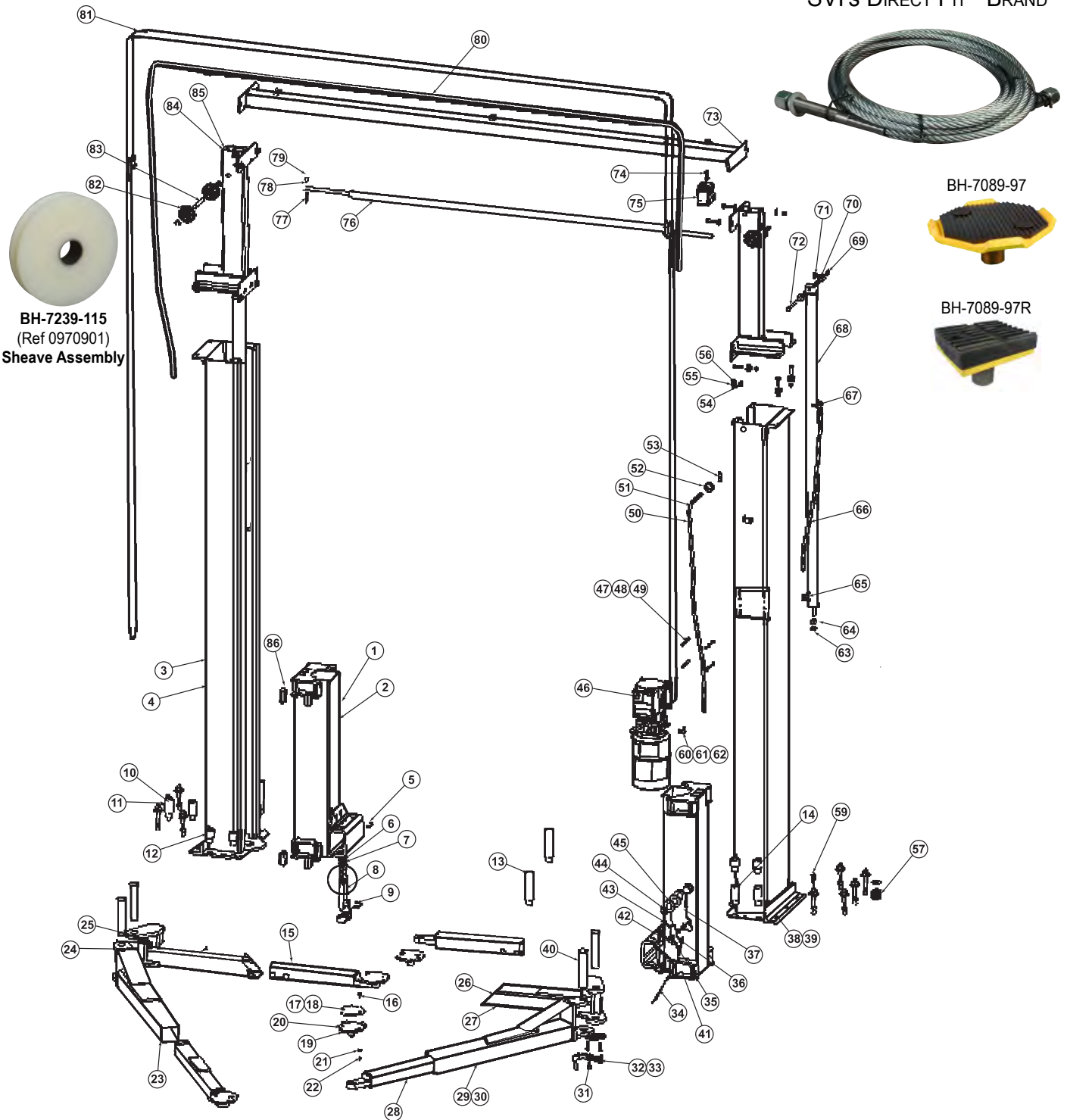


## Figure 2: Carriage Safety Latch

Item	SVI part #	Ref #	Req	Description
--	<b>BH-7237-30</b>	<b>070502</b>		<b>Safety Release Assembly</b> (Model and Serial # are required when ordering)
1	F-NL-0750-16	913600	2	3/4"-16 Nylock Nut
2	F-FW-0750	913605	2	3/4" Flatwasher
3	BH-7239-95	070530	2	Latch Pivot
4	BH-7239-94	070525	2	Safety Latch
5	F-HC-0750-16-2000	913682	2	3/4"-16 x 2" Hex Head Capscrew
6	F-FW-0375-USS	912005	2	3/8" Washer
7	BH-7237-19	090541	2	Lock Release Rod 17"
8	BH-7235-63	070528	2	Latch Wipeout
9	BH-7235-65	991070	2	Cap Nut
10	BH-7237-86	991071	2	Spring Latch
11	F-CP-094-1500	991077	2	Cotter Pin 3/32" x 1-1/2"

For Lift Model DP-10, DP-10A

**DIRECTFIT™**  
SVI's DIRECT FIT™ BRAND





# For Lift Model DP-10, DP-10A

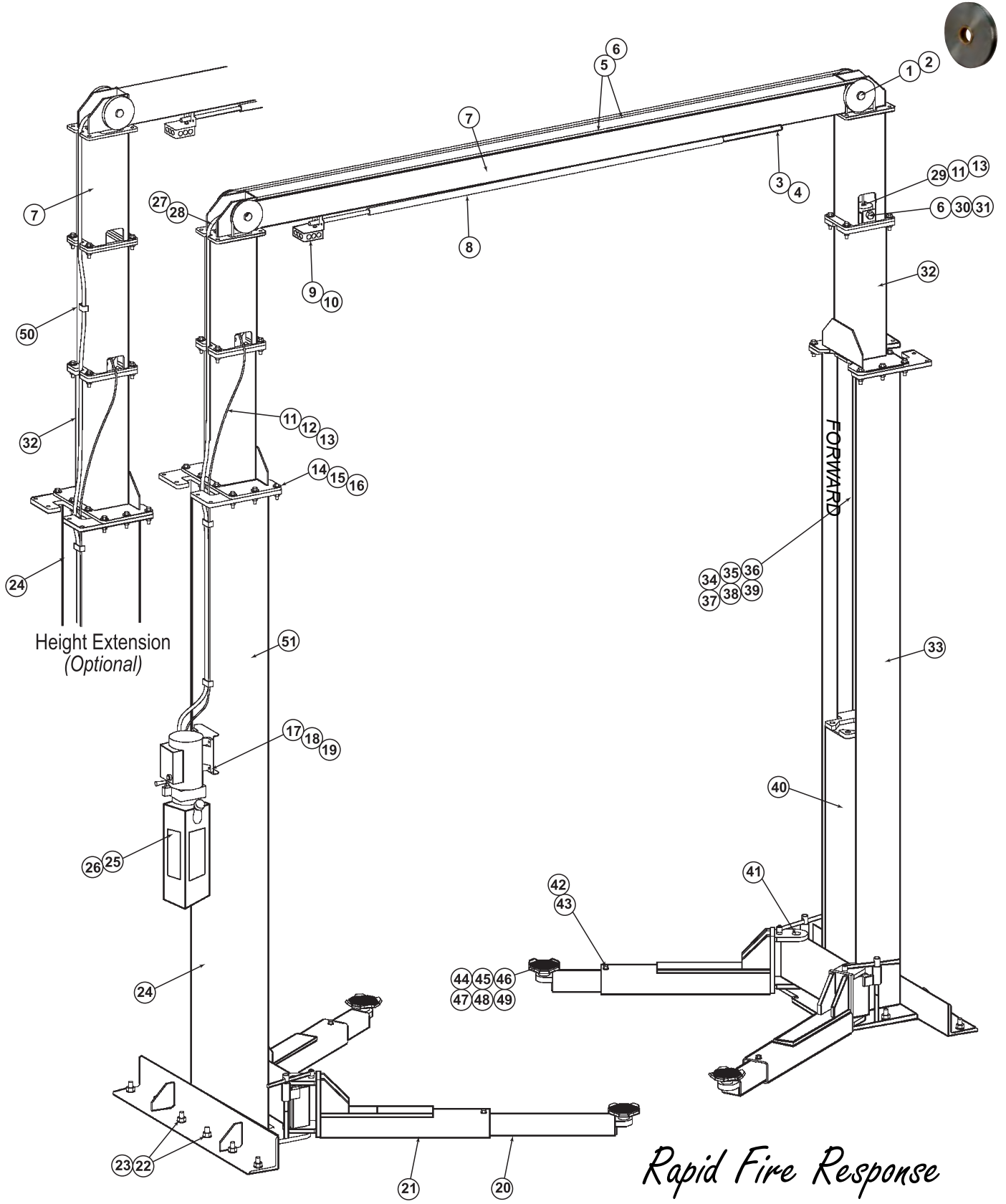
Item	SVI part #	Ref #	Req	Description
1	call for price	1070500	2	Carriage Assembly
2	call for price	1070501	2	Carriage Weldment
3	call for price	1070105	1	Column
4	call for price	1070104	1	Column
5	F-RR-0750	991504	10	3/4" Klip-Ring
6	BH-7239-79	143537	4	Arm Restraint Spring
7	BH-7239-78S	116533	4	Actuator Pin Spacer
8	BH-7239-78	143536	4	Actuator Pin
9	F-RP-250-1500	991060	4	1/4" Roll Pin x 1-1/2" Lg.
10	BH-7089-99A			5" Nesting Pad Extension
11	BH-7239-120	994257	1	Nesting Pad Extension Kit
12	BH-7235-72	996220	4	1-1/2" Nesting Pad Extension
13	BH-7089-99B	995550	4	6" Nesting Pad Extension
14	BH-7089-98	995560	4	3" Nesting Pad Extension
15	BH-7239-48	1070631	2	Inner Front Swing Arm DP-10A
	BH-7239-47	1070629	2	Inner Front Swing Arm DP-10
16	F-EB-0250-20-1250	991243	8	1/4-20 x 1-1/4" Elevator Bolt
17	BH-7235-90	994105	1	Rubber Pad <b>Kit</b> - standard duty
18	BH-7235-90A	991234	4	Rubber Pad - standard duty
19	BH-7089-97	106605	4	Adapter Base and Pad 1-1/4" Pin
20	BH-7235-90K		1	Rubber Pad <b>Kit</b> - heavy duty
21	F-FW-0250-USS	911405	8	1/4" Flat Washer
22	F-NL-0250-20	911401	8	1/4-20 Nylock Nut
23	F-HC-0375-16-0500	991487	4	3/8-16 x 1/2" Hex Head Capscrew
24	BH-7239-82A	1070623	1	Outer Rear Swing Arm LH - DP-10A
	BH-7239-230	1080602	1	Outer Rear Swing Arm LH - DP-10
25	BH-7239-82	1070622	1	Front Arm Assembly LH- DP-10A
	BH-7239-231	1080601	1	Front Arm Assembly LH - DP-10
26	BH-7239-69	1070624	1	Front Arm Assembly RH- DP-10A
	BH-7239-231	1080601	1	Front Arm Assembly RH- DP-10
27	BH-7239-233	1070625	1	Outer Swing Arm RH - DP-10A
	BH-7239-230	1080602	1	Outer Swing Arm RH - DP-10
28	BH-7239-47	1070629	2	Rear Arm Slider Long
29	BH-7239-234	1070619	2	Rear Arm Assembly - DP-10A
	BH-7239-231	1080601	2	Rear Arm Assembly -DP-10 or 10AN
30	BH-7239-87	1070620	2	Outer Rear Swing Arm - DP-10A
	BH-7239-230	1080602	2	Outer Rear Swing Arm - DP-10, 10AN
31	F-HC-0375-16-0500	912061	8	3/8-16 Hex Head Capscrew
32	BH-7239-77-4	994258	1	Arm Restraint Gear Kit
<b>33</b>	<b>BH-7545-16</b>	<b>143534</b>	<b>4</b>	<b>Arm Restraint Gear</b>
34	BH-7239-108	143540	2	Latch Pull Rod
35	F-FW-0375	912005	4	3/8" Flat Washer
36	BH-7235-65	991070	2	Cap Nut
37	BH-7235-45	106502	2	Safety Latch Weldment
38	call for price	1070106	1	Column
39	call for price	1070107	1	Column
40	BH-7235-34	995430	4	Swing Arm Pin
41	BH-7237-86	991071	2	Spring Latch
42	F-RR-0375	991503	2	3/8" Klip-Ring
43	BH-7235-63	070528	2	Latch Release Pawl
44	BH-7203-041	991030	2	Top Rail Snap Ring
45	F-FW-1250-SAE	915206	4	1-1/4" SAE Washer
46	BH-7006A	992017	1	Single Phase Power Unit
47	F-NL-0312-18	911703	4	5/16-18 Nylock Nut
48	F-HN-0312-18	911701	4	5/16-18 Hex Nut
49	F-HC-0312-18-1250	911751	4	5/16-18 x 1-1/4" HEX Head Capscrew

50	n/a	994205	1	Hydraulic Kit - Standard Models
	n/a	994206	1	Hydraulic Kit - 2' Ext. Height Models
	n/a	107H900	1	Hydraulic Kit - High Rise Models
51	BH-7236-50	992101	1	Hydraulic Hose 68"
52	BH-7239-110	991491	1	Rubber Grommet
53	BH-7236-43	992502	1	3/8" JIC Tee
54	F-HN-0500-13	912601	16	1/2-13 Hex Nut
55	F-HC-0500-13-1750	912671	16	1/2-13 x 1-3/4 Hex Head Capscrew
56	F-FW-0500	912605	40	1/2" Flat Washer
57	BH-7512-90			1/16" Shim (50 Pack)
	BH-7512-91			1/8" Shim (50 Pack)
	BH-7512-89	991127		1/4" Shim (50 Pack)
	<b>BH-7512-92</b>			<b>Shim Assortment (150 Pack)</b>
59	BH-7075-03	913828	10	Anchor Bolt
60	n/a	994216	1	2-Post Pressure Fitting Kit
61	BH-7235-73	992410		9/16" O-Ring to 3/8" JIC Elbow
62	BH-7239-105	992212	1	1/4" Return Line
63	F-JN-0750-16	913611	2	3/4-16 Hex Jam Nut
64	F-HN-0750-16	913602	2	3/4-16 Hex Nut
65	BH-7236-99	992402	2	Elbow
66	BH-7236-42	992156	1	Hydraulic Hose - 56" Standard
	BH-7237-59	992169	1	Hydraulic Hose - 45" High Rise
67	BH-7239-96	991082	2	24" Wire Tie
68	BH-7236-02	992317	2	Hyd. Cylinder - Standard
	BH-7236-02E	992327	2	Hyd. Cylinder - High Rise
				<b>See Seal Kits for Forward shown later in this directory.</b>
69	F-NL-0500-13	912603	6	1/2-13 Hex Nylock Nut
70	BH-7239-121	0970804	4	Cylinder Bushing
71	F-6-4HB	992501		3/8" Bushing to 1/4" NPT Bushing
	call for price	992500		Line Tee Std. & High Rise Models
	call for price	952512		Line Tee Extended Height Models
	call for price	992496		Fitting Std. Height & High Rise
	call for price	992504		Fitting Extended Height Models
72	F-HC-0500-13-4500	912781	2	1/2-13 x 4-1/2 Hex Head Capscrew
73	BH-7239-122	1070803	1	Overhead - Std. Models
	BH-7239-123	1070805	1	Overhead - Narrow Models
74	F-HC-0250-20-0500	911421	2	1/4-20 HHCS x 1/2" Lg.
75	BH-7503-65	0970902	1	Overhead Switch Assembly
76	BH-7239-103	991481	1	Overhead Switch Bar, Single Phase
77	F-HC-0250-20-2000	911481	1	1/4-20 HHCS x 2" Lg.
78	BH-7239-99	991480	1	Switch Bar Spacer
79	F-LN-0250-20	991490	3	1/4-20 Flange Hex Lock Nut
80	BH-7237-57	992167	1	Hydraulic Hose 222" - Standard
	BH-7236-46	992158	1	Hydraulic Hose - 257" Extended 2'
81	F-NL-0625-11	913203	4	5/8-11 Nylon Insert Lock Nut
	<b>BH-7235-08</b>	<b>992627</b>	<b>2</b>	<b>Eq. Cable 33' 6" - Std. (older style)</b>
	<b>BH-7236-95</b>	<b>1070911</b>	<b>2</b>	<b>Eq. Cable 33' 8" - Std. (newer style)</b>
	<b>BH-7236-97</b>	<b>1072901</b>	<b>2</b>	<b>Eq. Cable 37' 6" - Std. Models, Ext. 2'</b>
	<b>BH-7236-96</b>	<b>1070914</b>	<b>2</b>	<b>Eq. Cable 32' 11" - Narrow Model</b>
	<b>BH-7236-98</b>	<b>1072903</b>	<b>2</b>	<b>Eq. Cable 36' 9" - Nar. Model, Ext. 2'</b>
82	BH-7239-115	0970901	6	Cable Sheave
83	BH-7239-116	0970802	2	Sheave Pin
84	call for price	1070800	2	Cyl Mt./Upright Assy. - Std. Height
	call for price	1072800	2	Cyl Mt./Upright Assy. - Ext. Height
85	call for price	1070801	2	Cyl Mt./Upright Weld - Std. Height
	call for price	1072801	2	Cyl Mt./Upright Weld - Ext. Height
<b>86</b>	<b>BH-7235-27</b>	<b>995120</b>	<b>16</b>	<b>Carriage Slider Block</b>
	<b>BH-7235-27A</b>	<b>106518</b>		<b>Shim for Carriage Slider Block</b>



# For Lift Model DP12 & DP15

**DIRECTFIT™**  
SVI's DIRECT FIT™ BRAND



*Rapid Fire Response*



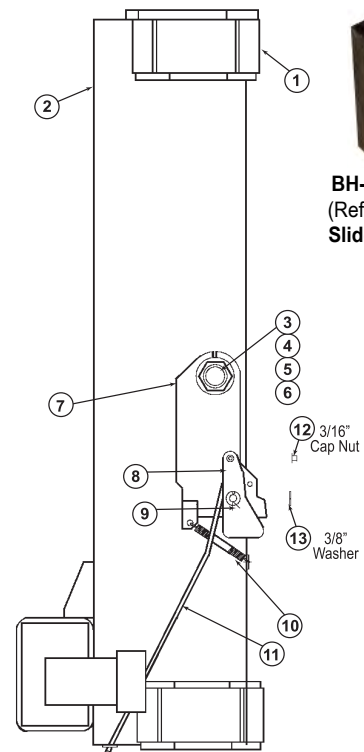
# For Lift Model DP12 & DP15

**DIRECTFIT™**  
SVI's DIRECT FIT™ BRAND

Item	SVI part #	OEM #	Req	Description
1	BH-7203-041	991030		Top Rail Snap Ring
2	BH-7235-66	995030		Cable Sheave 6-1/8"
3	call for price	991480		Switch Bar Spacer
4	call for price	991483		HWTS Type F 10-24 x 1-3/4"
<b>5</b>	<b>BH-7235-09B</b>	<b>992626</b>		<b>Eq. Cable 40'-2" – DP12 &amp; DP15</b>
	<b>BH-7236-92</b>	<b>992629</b>		<b>Eq. Cable 44' 2" – DP12-2 &amp; DP15-2</b>
6	BH-7235-69	913604		Lock Nut
7	BH-7239-500	137802		Overhead Weldment
8	BH-7239-103	991481		Padded Overhead Switch Bar
9	F-MS-00010-25-0500	991482		10-24 x 1/2" Machine Screw
10	BH-7239-104	991476	1	Overhead Switch
11	BH-7239-105	992212		1/4" Return Line
12	call for price	992505		Mainside Return Tee Line
13	F-6-4HB	992501		3/8" Bushing to 1/4" NPT Bushing
14	F-MS-0500-12-2500	912701		1/2-13 x 2-1/2 Hex Head Capscrew
15	F-HN-0500-13	912601		1/2-13 Hex Nut
16	F-FW-0500-USS	912605		1/2" Washer
17	F-HN-0312-18	911701		5/16-18 Hex Nut
18	F-NL-0312-18	911703		5/16-18 Nylon Insert Lock Nut
19	F-HC-0312-18-1250	911751		5/16-18 x 1-1/4" Hex Head Capscrew
20	BH-7239-501	912601		Inner Swing Arm
--	BH-7239-14	137602		Swing Arm Slider Weldment
21	BH-7239-13	137601		Arm Tube
22	BH-7512-89	991127		1/4" Shim (50 Pack)
	BH-7512-90			1/16" Shim (50 Pack)
	BH-7512-91			1/8" Shim (50 Pack)
--	<b>BH-7512-92</b>			<b>Shim Assortment (150 Pack)</b>
23	BH-7075-03	913828		3/4" x 5-1/2" Anchor Bolt
24	call for price	185101		Column – DP12
	call for price	137101		Column – DP15
25	BH-7006A	992038	1	Power Unit–DP12 w/BH-7004-07 RV
	BH-7006A	992032	1	Power Unit–DP15 w/BH-7539-75 RV
26	BH-7235-73	992410		9/16" O-Ring to 3/8" JIC Elbow
27	BH-7236-43	992502		3/8" JIC Tee
28	BH-7236-49	992103		Hydraulic Hose 106" – Std. Height
	BH-7237-60	992170		Hydraulic Hose 130" – 2' Ext. Height
29	call for price	992504		Offside Return Line Fitting
30	F-HC-0750-16-5000	913882		3/4-16 x 5" Hex Head Capscrew
31	F-FW-0750-SAE	913606		3/4" SAE Washer
32	BH-7239-502	137801		Column Upright Segment
33	call for price	185201		Column – DP12
	call for price	137201		Column – DP15
34	BH-7237-40	992322		Hydraulic Cylinder
35	F-HC-1000-08	914402		1" Hex Nut
36	F-JN-1000-08	914411		1" Hex Jam Nut
37	BH-7236-99	992402		Elbow
38	BH-7237-57	992167	1	Hydraulic Hose 222" – Std. Height
	BH-7237-62	992173	1	Hydraulic Hose 246" – 2' Ext. Height
39	BH-7239-96	991082		24" Wire Tie
40	BH-7239-503	137500		Carriage Assembly
41	BH-7235-35	995910		Arm Pin
42	F-LW-0500	912607		1/2" Lock Washer
43	F-HC-0500-13-0750	912631		1/2-13 x 3/4" HHCS Grade 5

(continues in next column)

Item	SVI part #	OEM #	Req	Description
44	BH-7237-89	137603		4" Height Ext. Adapter (set of 4)
45	BH-7239-504	137604	4	Adapter Base
46	BH-7235-90AX		4	Rubber Pad - heavy duty
47	F-EB-0250-20-1250	991243		1/4-20 x1-1/4" Elevator Bolt
48	F-HN-0250-20	911402		1/4-20 Hex Nut
49	F-FW-0250-USS	911405		1/4" Washer
50	BH-7239-505	137803		2' Extension both models
51	BH-7239-506	992180		Hydraulic Hose – Std. Height
	BH-7237-61	992172		Hydraulic Hose 119" – 2' Ext. Height
--	Call for details	137600		Swing Arm Assembly
--	BH-7237-41	991511		Seal Kit for DP12 / DP15 TX



**BH-7236-06**  
(Ref 996390)  
**Slider Block**

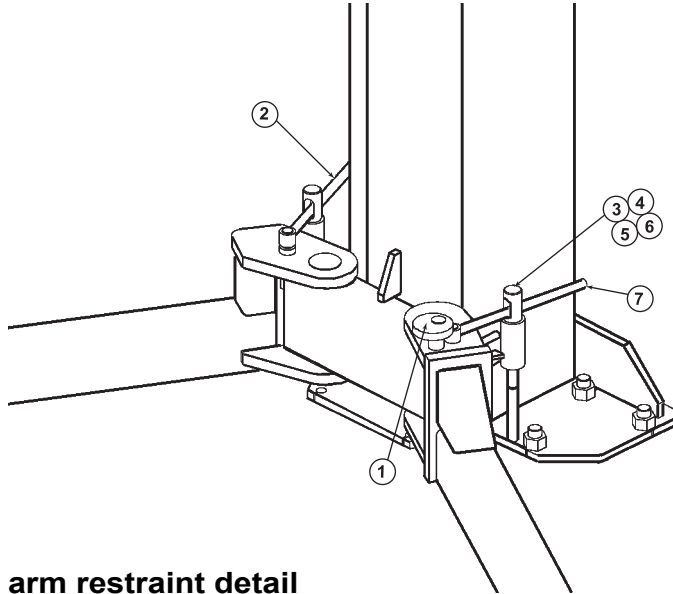


### carriage lock detail

Item	SVI part #	Ref #	Req	Description
--	<b>BH-7237-30</b>	<b>070502</b>		<b>Safety Release Assembly</b> (Model and Serial # are required when ordering)
1	BH-7236-06	996390	16	Slider Block
2	BH-7239-44	137501		Carriage Weldment
3	BH-7239-507	991127		Shim
4	F-FW-1000-USS	914406		1" Washer
5	BH-7235-64	106521		Lock Latch Pivot
6	F-HC-1000-14-3000	914522		1"-14 x 3" Hex Head Capscrew
7	BH-7235-46	137502		Latch Weldment
8	BH-7235-63	070528M	2	Latch Release
9	BH-7236-56	991077		Cotter Pin
10	BH-7237-86	991071		Spring Latch
11	BH-7237-19	90541	2	Lock Release Rod 17"
12	BH-7235-65	991070		Cap Nut
13	F-FW-0375-USS	912005		3/8" Washer

# For Lift Model DP12 & DP15

**DIRECTFIT™**  
SVI's DIRECT FIT™ BRAND



**arm restraint detail**

Item	SVI part #	Ref #	Description
	BH-7235-18	137K03	Arm Restraint Kit (all four arms)
1	BH-7235-40	991269	Rubber Bumper Overhead Stop
2	BH-7235-51	148702	Arm Restraint Slider 8" Front
3	BH-7235-25	991216	Arm Restraint Spring
4	BH-7235-24E	991209	Arm Restraint E-Clip 5/8"
5	F-FW-0625-SAE	913206	Arm Restraint Washer
6	BH-7235-49	148706	Arm Restraint Plunger 12.5"
7	BH-7235-52	148707	Arm Restraint Bumper Slider 8" Rear

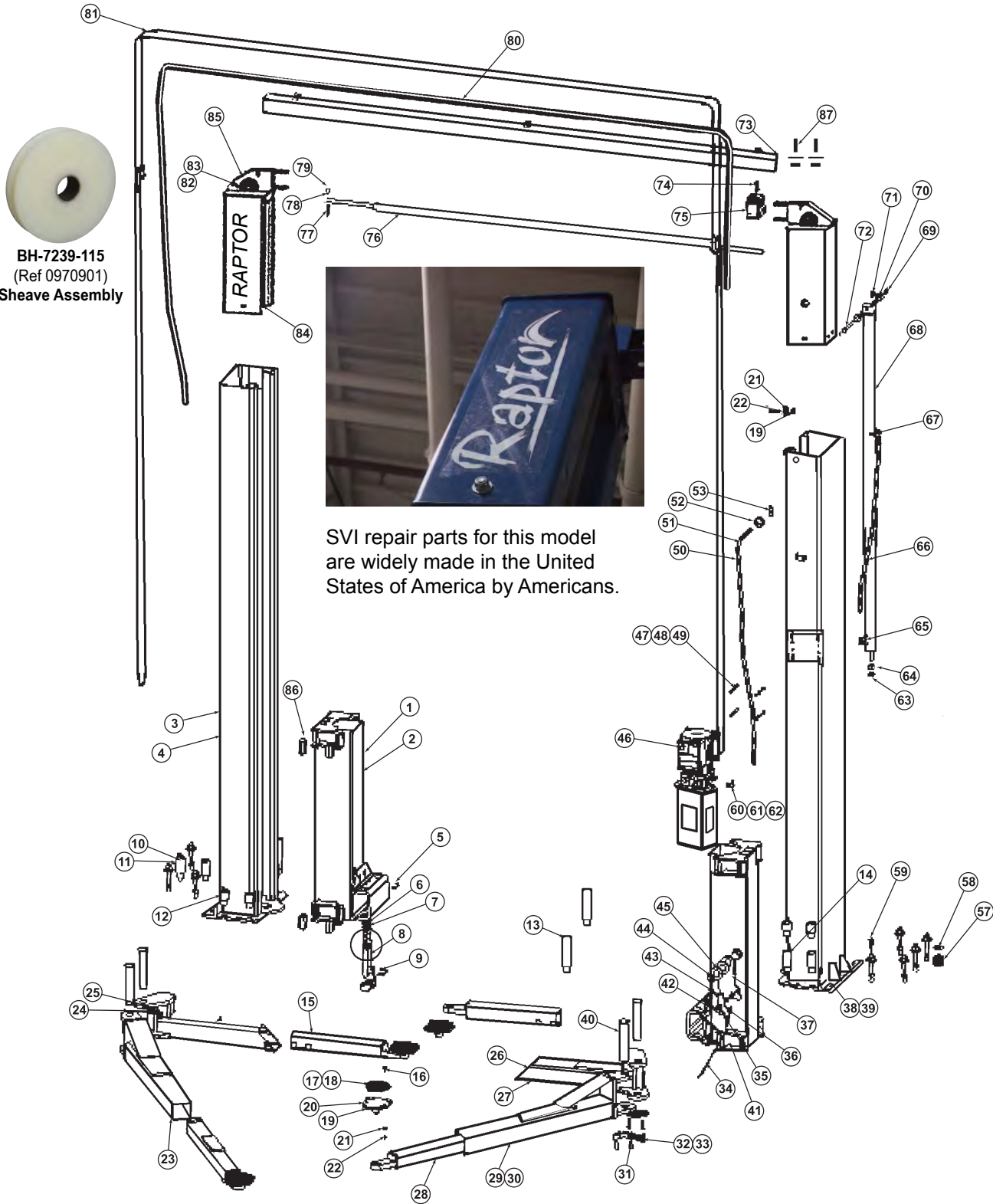
- Please let us know what we are doing right and what we are doing wrong. We want your business and your satisfaction.
- Whenever you need a lift repair product or lift problem solution, we hope you please consider SVI as your first choice.
- SVI cares about making quality lift repair parts and not simply bottom line performance. This is the reason you will often see improvements in product quality and design criteria versus that of the original manufacturer.
- Insist on genuine SVI lift repair parts, everytime.
- Did you know that SVI also supplies parts for the production of new lifts to many of today's existing lift manufacturers?



# For Lift Model Raptor

**DIRECTFIT™**  
SVI's DIRECT FIT™ BRAND

HANMECSON  
made in CHINA



SVI repair parts for this model are widely made in the United States of America by Americans.



# For Lift Model Raptor

Item	SVI part #	Ref #	Req	Description
1	call for price	RR31000	2	Carriage Assembly
2	call for price	RR31001	2	Carriage Weldment
3	call for price	RR41001	1	Offside Leg Weldment
4	call for price	RR41000	1	Offside Leg Assembly
5	BH-7500-62A	41411	10	3/4" Klip-Ring
6	BH-7239-79	RR21013	4	Arm Restraint Spring
7	BH-7239-78S	RR21009	4	Arm Restraint Pin Spacer
8	BH-7239-78	RR21012	4	Actuator Pin
9	F-RP-250-1500	14425	4	1/4" Roll Pin x 1-1/2"
10	BH-7089-99A	RR11002	1	5" Nesting Pad Extension
11	BH-7239-120	RR11007	1	Nesting Pad Extension Kit
12	BH-7235-72	RR21018	4	1-1/2" Pad Extension
13	BH-7089-99B	RR21016	4	6" Pad Extension
14	BH-7089-98	RR21017	4	3" Pad Extension
15	BH-7239-48	RR21007	2	Front Inner Arm
16	F-EB-0250-20-1250	40096	8	1/4-20 x 1-1/4" Elevator Bolt
17	<b>BH-7235-90</b>	<b>994105</b>	<b>1</b>	<b>Rubber Pad Kit - standard duty</b>
	<b>BH-7235-90K</b>		<b>1</b>	<b>Rubber Pad Kit - heavy duty</b>
18	<b>BH-7235-90A</b>	<b>991234</b>	<b>4</b>	<b>Rubber Pad - standard duty</b>
	<b>BH-7235-90AX</b>		<b>4</b>	<b>Rubber Pad - heavy duty</b>
19	BH-7089-97A	RR21008	4	Adapter Base Only
20	BH-7089-97	RR11006	1	Adapter Base and Pad
21	F-FW-0250-USS	40782	8	1/4" Flat Washer
22	F-NL-0250-20	40642	8	1/4-20 Nylock Nut
23	call for price	RR21019	4	Inner Arm Stop Screw
24	BH-7239-82A	RR21003	1	Outer Rear Swing Arm
25	BH-7239-82	RR21002	1	Rear Swing Arm Assembly
26	BH-7239-69	RR21004	1	Front Swing Arm Assembly
27	BH-7239-69A	RR21005	1	Outer Front Swing Arm
28	BH-7239-47	RR21006	2	Rear Inner Arm
29	call for details	RR21000	2	Long Arm Assembly
30	call for details	RR21001	2	Long Arm
31	F-HC-0375-16-1500	40201	8	3/8-16 x 1-1/2" Hex Head Capscrew
32	<b>BH-7545-17</b>	<b>RR11008</b>	<b>4</b>	<b>Arm Restraint Engage Gear</b>
33	<b>BH-7545-16</b>	<b>RR21010</b>	<b>4</b>	<b>Arm Restraint Gear</b>
34	BH-7239-108	RR31004	2	Carriage Lock Release Rod
35	F-FW-0375-USS	40820	4	3/8" Flat Washer
36	BH-7235-65	40673	2	Cap Nut
37	<b>BH-7235-45</b>	<b>RR31002</b>	<b>2</b>	<b>Safety Latch Weldment</b>
38	call for price	RR41002	1	Column
39	call for price	RR41003	1	Column
40	BH-7235-34	RR21014	4	Swing Arm Pin
41	BH-7237-86	RR31005	2	Spring Latch
42	F-RR-0375	41410	2	3/8" Klip-Ring
43	BH-7235-63	RR31003	2	Latch Wipe Out
44	BH-7203-041	991030	2	Top Rail Snap Ring
45	F-FW-1250 SAE	41101	4	1-1/4" SAE Washer
46	BH-7006A	RR91000	1	Power Unit
47	F-NL-0312-18	40684	4	5/16-18 Nylock Nut
48	F-HN-0312-18	40670	4	5/16-18 Hex Nut
49	F-HC-0312-18-1250	40208	4	5/16-18 x 1-1/4" Hex Head Capscrew
50	BH-7239-109	RR11001S	1	Hydraulic Hose Kit
51	BH-7236-42	RR71002	1	Hydraulic Hose 56"
52	BH-7239-110	RR71004	1	Rubber Grommet
53	F-3705-6	RR71009	1	3/8" JIC Tee

**This lift is marketed under many different names.**

Item	SVI part #	Ref #	Req	Description
54	F-HN-0500-13	40680	16	1/2-13 Hex Nut
55	F-HC-0250-13-1750	40318	16	1/2-13 x 1-3/4" Hex Head Capscrew
56	F-FW-0500	40940	40	1/2" Flat Washer
57	BH-7512-89	991127		1/4" Shim (50 Pack)
	BH-7512-90			1/16" Shim (50 Pack)
	BH-7512-91			1/8" Shim (50 Pack)
	<b>BH-7512-92</b>			<b>Shim Assortment (150 Pack)</b>
58	n/a		16	16 Ga. Washer (see item 59)
59	BH-7075-03	FJ7380	10	Anchor Bolt
60	BH-7011-10		1	Power Unit Vibration Damper Gasket
61	F-A3405-6-6	RR71008	1	9/16" O-ring to 3/8" MJIC Elbow
62	call for price	RR71005	1	1/4" Push to Lock Plug
63	F-JN-0750-16	913611	2	3/4-16 Jam Nut
64	F-HN-0750-16	913602	2	3/4-16 Hex Nut
65	BH-7236-99	RR71006	2	Elbow
66	BH-7236-52	RR71003	1	By Pass Return Line 34"
67	BH-7239-96	991082	2	24" Plastic Tie Wrap
68	BH-7236-02	RR71000	2	Hyd Cylinder
	<b>See Seal Kits for Forward shown later in this directory.</b>			
69	F-NL-0500-13	40707	6	1/2-13 Nylock Nut
70	BH-7239-111	RR51003	4	Cylinder Bushing
71	BH-7239-112	RR71007	2	3/8" MNPT Breather
72	F-HC-0500-13-0500	40337	2	1/2-13 1/2" Hex HEad Capscrew
73	BH-7239-113	RR61000	1	Overhead Structure
74	F-HC-0250-20-0500	40062	2	1/4-20 S x 1/2" Hex Head Capscrew
75	BH-7239-104	RR61001	1	Overhead Limit Switch Assembly
76	BH-7239-103	RR61003	1	Overhead Limit Bar Assembly
77	F-HC-0250-20-2000	40109	1	1/4-20 x 2" Hex Head Capscrew
78	BH-7239-99	RR61002	1	Overhead Switch Spacer
79	F-FLN-0250-20	40643	3	1/4-20 Flange Lock Nut
80	BH-7237-57	RR71001	1	Hydraulic Hose 222"
81	BH-7239-60A	RR11003	2	Equalizer Cable 33' 4"
82	BH-7239-115	RR51004	6	Sheave Assembly
83	BH-7239-116	RR51002	2	Sheave Pin
84	call for price	RR51000	2	Column Extension Assembly
85	call for price	RR51001	2	Column Extension Weldment
86	<b>BH-7235-27</b>	<b>RR31006</b>	<b>16</b>	<b>Carriage Slider Block</b>
	<b>BH-7235-27A</b>	<b>106518</b>		<b>Shim for Carriage Slider Block</b>



Restraint Engage Gear



Main Restraint Gear

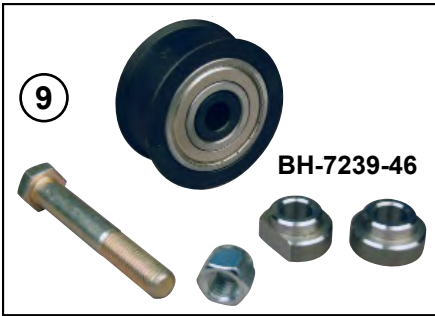
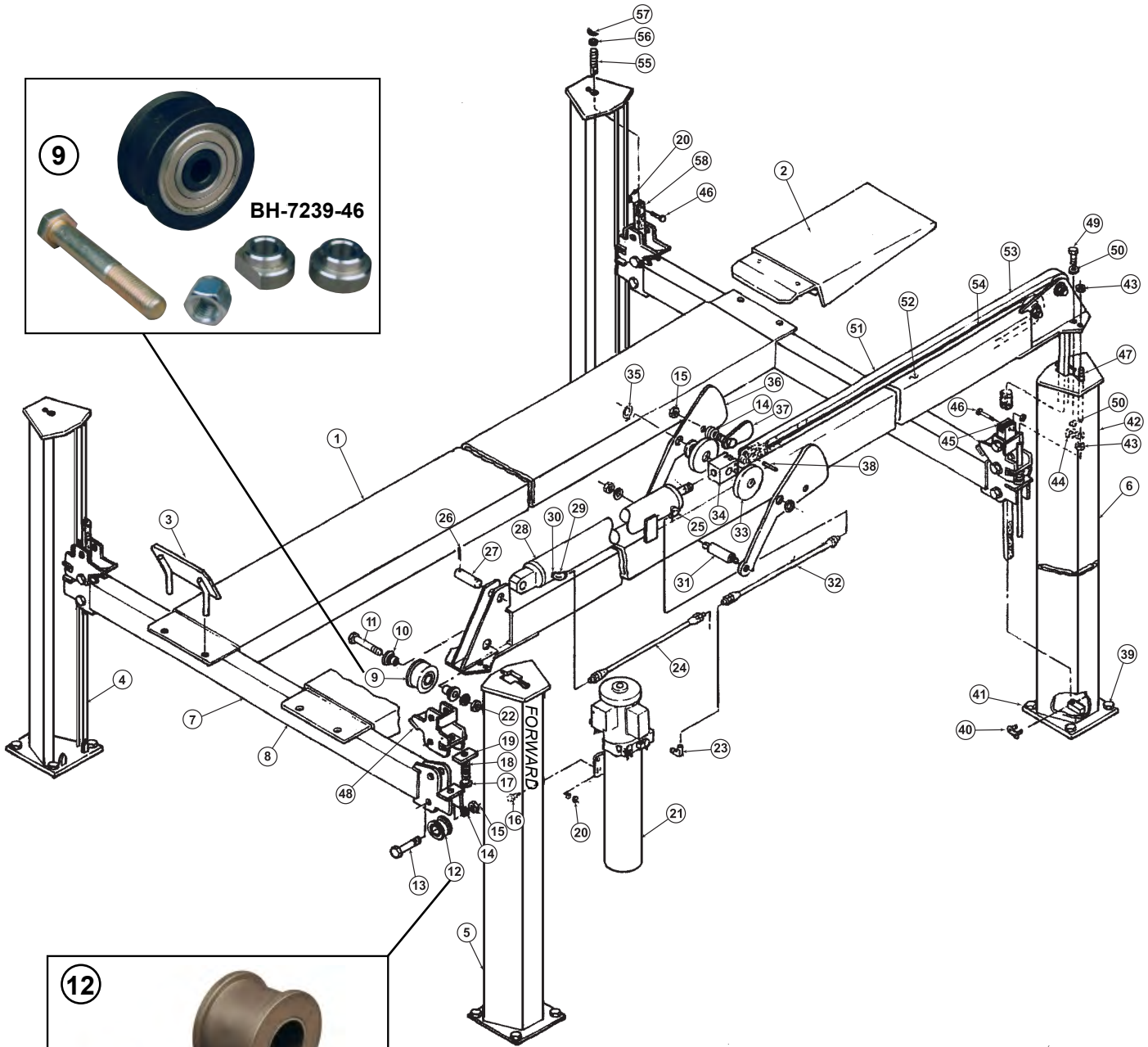
### Arm Restraint Detail

Item	SVI part #	Ref #	Req	Description
6	BH-7239-79	143537	4	Arm Restraint Spring
7	BH-7239-78S	116533	4	Arm Restraint Pin Spacer
8	BH-7239-78	143536	4	Arm Restraint Pin
9	F-RP-0250-1500	991060	4	1/4" X 1-1/2" Roll Pin
31	F-HC-0375-18-1500		8	3/8-16 x 1-1/2" Hex Head Capscrew
32	BH-7545-17	143535	4	Arm Restraint Engage Gear
33	BH-7545-16	143534	4	Main Restraint Gear
	BH-7239-77-1	994258x	4	Arm Restraint <b>Kit</b> (one arm)
	BH-7239-77-4	994258	1	Arm Restraint <b>Kit</b> (entire lift)



# For Lift Model 12000SWT, 12000EWT

**DIRECTFIT™**  
SVI's DIRECT FIT™ BRAND



P  
a  
g  
e



# For Lift Model 12000SWT, 12000EWT

**DIRECTFIT™**  
SVI's DIRECT FIT™ BRAND

Item	SVI part #	Ref #	Req	Description
1	call for price	196501	2	Runway SWT
	call for price	197501	2	Runway EWT
2	BH-7238-25R	045401	2	Ramp
	BH-7238-25	995320	2	Ramp Pin
	BH-7238-82	996190	4	Ramp Wheel
	BH-7238-97	991021	2	Clip on Approach Ramps
3	BH-7238-62	045130	2	Ramp Stop Plate
4	BH-7238-52	120201	2	Column
5	BH-7238-50	120102	1	Power Unit Column
6	BH-7238-51	102101	1	Column
7	BH-7238-70	120400	1	Crossrail No Parts
8	BH-7238-71	120401	1	Crossrail
<b>9</b>	<b>BH-7239-46</b>	<b>120K06</b>		<b>Wheel Assembly (includes pin)</b>
10	BH-7238-40	250442		Chain Slider
11	F-HC-0750-10-3500	913742		Bolt 3/4-10 x 3-1/2"
12	<b>BH-7238-21</b>	120K07		Cross Rail Sheave w/ 3-7/8" Pin
	<b>BH-7238-23</b>	120K05		Cross Rail Sheave w/ 3" Pin
13	BH-7238-78	051804		Sheave Pin
	F-RR-1250	991223		Snap Ring 1-1/4" External
	F-FW1250-SAE	915206		1-1/4" Flatwasher
14	F-FW-0750-USS	913606		3/4" Flatwasher
15	BH-7235-69	913604		Lock Nut
16	BH-7237-61	992172		Hydraulic Hose 119"
17	F-FW-0750-USS	913606		3/4" Flatwasher
18	BH-7238-20	991321		Spring
19	BH-7238-75	995130		Actuator Plate
20	F-NL-0312-18	991703		5/16-18 Nylock Nut
21	BH-7006A	992028	1	Power Unit
22	F-NL-0750-10	913600		3/4-10 Nylock Jam Nut
23	BH-7235-73	992410		9/16" O-Ring to 3/8" JIC Elbow
24	BH-7238-63	994215	1	Return Hose
25	BH-7236-99	992402		Elbow
26	F-RP-250-1500	991060		Roll Pin 1/4" x 1-1/2"
27	BH-7236-03P	996510		Cylinder Pin 5-3/4" x 1"
28	BH-7236-03	992302		Hydraulic Cylinder 3-1/2" x 72"
	BH-7235-13	991194		Hyd Cylinder Seal Kit 72" Waltco
	BH-7235-13C	991282		Hyd Cylinder Seal Kit 72" Prince
	BH-7235-16	991306		Hyd Cylinder Seal Kit 72" Holmac

Item	SVI part #	Ref #	Req	Description
29	F-3405-4-4	992496		Elbow 1/4 NPT to 1/4 Tube
30	F-6-4HB	992501		Bushing 3/8 NPT to 1/4 NPT
31	BH-7238-93	995170		Top Rail Latch Pivot Pin
32	BH-7237-61	992172	1	Hydraulic Hose 119"
33	BH-7238-92	995230		Top Rail Wheel
34	BH-7238-94	995190		Top Rail Chain Connector
35	BH-7203-041	991030		Top Rail Snap Ring
36	BH-7238-90	120321		Top Rail Latch Ear
37	BH-7237-88	120303		Latch Cam
38	BH-7238-64	995150		Chain Pin
39	BH-7075-03	994102		3/4" x 5-1/2" Wedge Anchor
40	BH-7028-01	991072		Master Link (634) Cross Rail
	BH-7029-01	991227		Master Link (646) Top Rail
41	BH-7512-89	991127		1/4" Shim (50 Pack)
	BH-7512-90			1/16" Shim (50 Pack)
	BH-7512-91			1/8" Shim (50 Pack)
	<b>BH-7512-92</b>			<b>Shim Assortment (150 Pack)</b>
42	F-FW-0750-SAE	913605		3/4" Flatwasher
43	F-HN-0750-10	913601		Hex Nut 3/4-10
44	F-HN-0500-13	912603		Hex Nut 1/2-13
45	BH-7235-61	995200		Block Chain Connector
46	F-SC-0312-18-1500	911841		Socket Head Bolt 5/16" x 1-1/2"
47	BH-7238-81	995210		Safety Rod
48	BH-7238-73	120402A		Safety Latch Weldment
	BH-7238-72	120402		Safety Latch Weldment (old style)
49	F-HC-0500-13-1750	912671		1/2-13 x 1-3/4" Hex Head Capscrew
50	F-FW-0500-SAE	912605		1/2" Flatwasher
51	call for price	120300		Top Rail Assembly SWT
	call for price	121300		Top Rail Assembly EWT
52	call for price	120301		Top Rail SWT
	call for price	121301		Top Rail EWT
53*	BH-7029	992603	130	Chain - Short Top Rail SWT
	BH-7029	992610		Chain - Short Top Rail EWT
54*	BH-7029	992604	347	Chain - Long Top Rail SWT
	BH-7029	992611	402	Chain - Long Top Rail EWT
55	BH-7238-96	995180		Chain Adj. Stud
56	F-FW-1000-SAE	914406		1" Flatwasher
57	F-NL-1000-14	914401		Locknut 1"-14
58	BH-7237-28	992612		Chain for Rear Post

\* Chain is cut-to-order and is non-returnable. Verify style & length before ordering.



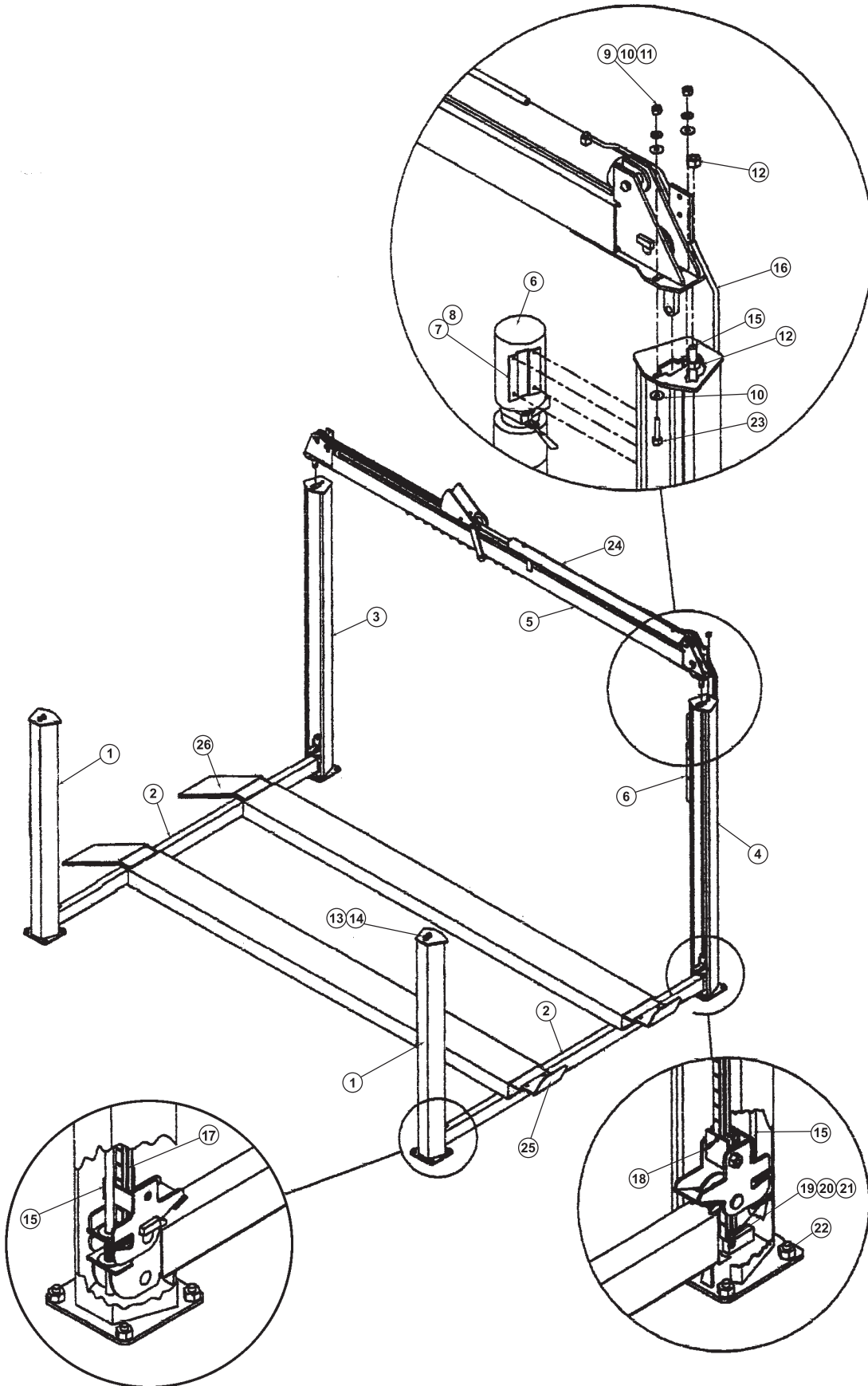
**BH-7235-13C**  
(Ref 991282)  
**Hydraulic Cylinder Seal Kit 72" Prince**





For Lift Model 12000LA , 12000LF, 12000AR

**DIRECTFIT™**  
SVI's DIRECT FIT™ BRAND





# For Lift Model 12000LA, 12000LF, 12000AR

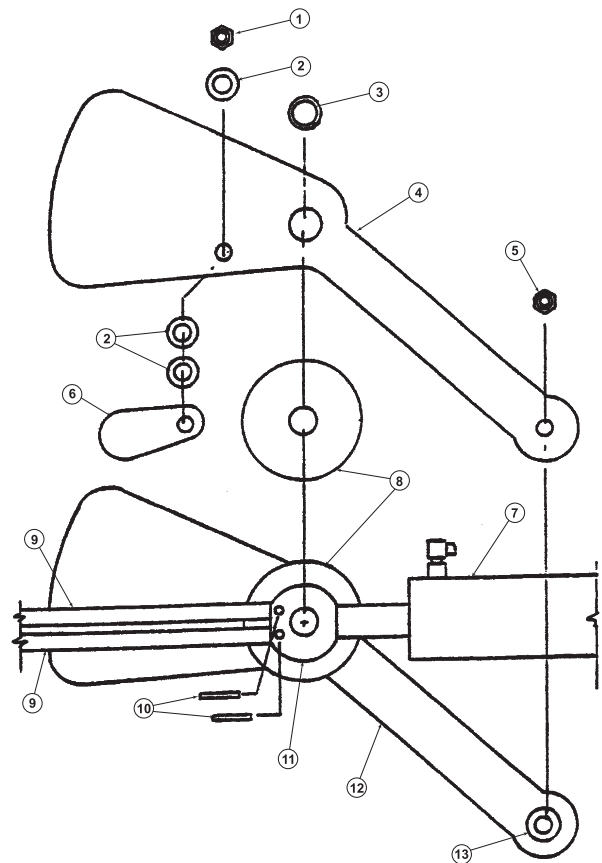
**DIRECTFIT™**  
SVI's DIRECT FIT™ BRAND

Item	SVI part #	Ref #	Req	Description
1	BH-7238-52	120201	2	Column
2	call for price	121400	2	Cross Rail Assembly
3	BH-7238-51	120101	1	Column Muffler Main
4	BH-7238-50	120101-P	1	Column Muffler Main Power
5	call for price	121300	1	Top Rail
6	BH-7006A	992028	1	Power Unit
7	F-HN-0312-18	911701	6	5/16-18 Hex Nut
8	F-HC-0312-18-1000	911741	4	5/16-18 x 1 Hex Head Capscrew.
9	F-HN-0500-13	912601	8	1/2-13 Hex Nut
10	F-FW-0500	912605	16	1/2" Flat Washer
11	F-LW-0500	912607	8	1/2" Lock Washer
12	F-HN-0750-10	913601	8	3/4-10 Nut for Safety Rod
13	F-NL-1000-14	914404	2	1-14 Nylock Nut
14	F-FW-1000-SAE	914406	2	1" Flat Washer
15	BH-7238-81	995210	4	Safety Rod
16	BH-7237-59	992169	1	Hydraulic Hose 45"
17*	BH-7028	992612	2	Chain for Cross Rail 271 pitches
	BH-7029	992610	1	Chain Top Rail Short 155 pitches
	BH-7029	992611	1	Chain Top Rail Long 402 pitches
18	F-SB-0312-18-1500	911841	2	5/16 x 1-1/2 Shoulder Bolt
19	F-FW-1125	914805	2	1-1/8 Flat Washer
20	BH-7028-01	991072	2	Master Link
	BH-7029-01	991227		Master link
21	F-NL-1125-12	914804	2	1-1/18-12 Nylock Nut
22	BH-7075-03	913798	16	3/4 x 5-1/2 Anchor Bolt
23	F-HC-0500-13-1750	912771	8	1/2-13 x1-3/4 Hex Head Capscrew
24	BH-7236-49	992103	1	Hydraulic Hose 106"
25	BH-7238-62	045130	2	Track End Stop
26	BH-7238-83		2	Drive On Ramp
	BH-7238-82	996190	4	Ramp Wheel

## Top Rail Latch

Item	SVI part #	Ref #	Req	Description
1	BH-7238-76	913600		Locknut
2	t/b/a	913606		Washer
3	BH-7203-041	991030		Top Rail Snap Ring
4	BH-7238-90	120321		Top Rail Latch Ear
5	BH-7235-69	913604		Lock Nut
6	BH-7237-88	120303		Latch Cam
7	BH-7236-03	992302		Hydraulic Cylinder Price 72"
	BH-7235-13	991194		Hyd Cylinder Seal Kit 72" Waitco
	BH-7235-13C	991282		Hyd Cylinder Seal Kit 72" Prince
	BH-7235-16	991306		Hyd Cylinder Seal Kit 72" Holmac
8	BH-7238-92	995230		Top Rail Wheel
9*	BH-7029	992610	1	Chain Top Rail Short 155 pitches
	BH-7029	992611	1	Chain Top Rail Long 402 pitches
	BH-7029-01			
10	BH-7238-64	995150		Chain Pin
11	BH-7238-94	995190		Cylinder-Chain Connector
12	BH-7238-90	120321		Top Rail Latch Ear
13	BH-7238-93	995170		Top Rail Latch Pivot Pin

\* Chain is cut-to-order and is non-returnable. Verify style & length before ordering.



## For Lift Model 12000LR

<b>BH-7239-135</b>	120K12	Top Rail Sheave Kit 12000LR-M1L
BH-7239-136		Shim for Top Rail Sheave Kit



**DIRECTFIT™**  
SVI's DIRECT FIT™ BRAND



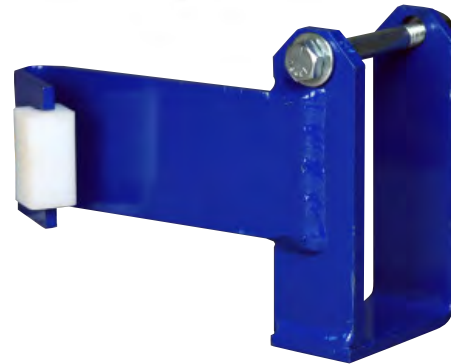
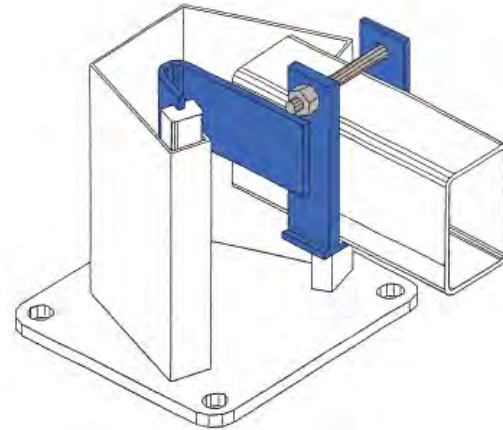
**Anti-Sway Kit (Set of 2)**

*Order 2 kits to repair all 4 posts of lift.*

For Models: 12000LR, 12000LRD, 12000EWP,  
12000EWT, 12000SAR, 12000LRMZ,  
160000 - Double Lube Lift Model  
161000 - Single Lube Lift Model  
160002 - Right Hand Lube Assembly

**BH-7237-50K**

(Ref 120701, 120701BL, 120700)



SVI part #	Ref #	Description
BH-7237-50K	120701	Anti-Sway Kit for Forward Lifts
	120701BL	Includes set for 2 posts.
See BH-7237-50K	120700	Anti-Sway Kit for Forward Lifts
BH-7237-48	120704	Guide Bracket Weldment
BH-7237-49	120743	Slide Block
F-HC-0500-13-4500	912781	Bolt
F-FW-0500-SAE	912606	Flat Washer
F-NL-0500-13	912603	Nylock Nut



*Replacement  
Slider Block for  
Anti-Sway Guide*

**BH-7237-49**

(OEM Ref 120743)

## Rolling Jack Parts for Forward



**NOTE:** The following parts are for Forward rolling jacks only.

To fit other brands, please call SVI.

SVI Part No.	X-Ref	Description
BH-7237-78	030400	Roller Jack Roller Assembly (1 side)
BH-7237-87	996010	Roller Body Bushing Insert
BH-7238-05	015402	Roller Housing Assembly only
BH-7238-08	991200	Roller Body Spring
BH-7238-22	991235	Roller Jack Wheel

**DIRECTFIT™**

SVI's DIRECT FIT™ BRAND

## Rolling Air Jack Parts

SVI offers an excellent selection of Repair Parts and Pumps for Rolling Air Jacks  
Call SVI Today—800-321-8173



## Rollers and Roller Kits

SVI #	Ref #	Description
<b>BH-7237-22</b>	995890	OH Chain Roller 4" x 1.25"
<b>BH-7239-46</b>	120K06	OH Chain Roller & Axle Kit (Roller alone is BH-7375-35)
<b>BH-7238-23</b>	120K05	Cross Rail Sheave w/ 3" Pin (Roller Alone is BH-7238-23A)
<b>BH-7238-21</b>	120K05	Cross Rail Sheave w/ 3-7/8" Pin (Roller Alone is BH-7238-23A)







# DIRECT FIT BRAND

## SVI International, Inc.

Catalogs and Information Online: [www.sviinternational.com](http://www.sviinternational.com)

**EASY TO ORDER:**  
**800-321-8173**  
**815-748-0200**  
Fax: 800-899-1784 • 815-748-0210  
E-Mail: [parts@sviintl.com](mailto:parts@sviintl.com)

### AUTO LIFT REPAIR PARTS FOR ALL MAKES & MODELS

~NO MATTER THE AGE OF THE LIFT!

- Arm Restraint Kits & Parts
- Cables—Lifting and Equalizing
- Chain
- doorjammerPRO - Door Protection Pad
- Height Extensions and Rubber Pads
- Installation Products & Tools
- Power Units and Parts
- Pulleys and Chain Rollers
- Seal Kits for In-Ground & Surface Mount
- Safety Legs / Non-Rotators
- Replacement Lift Kits
- Power Post Lifting Systems
- Tanks for In-Ground Lifts
- Turf Attachments for 2-Post Lifts

### SURFACE MOUNT LIFT PARTS FOR:

Acanus	Gemini	Quality
Ammco®*	Gilbarco	Ranger
Alamo /	Globe	Ravaglioli
ASSSA	Grand	Rotary Lifts
ALM	Hofmann	Silent Tech
AMI	Hydralift	Slift
Ashawa	Ime Istobal	Somers Souriau
Ben Pearson	Kismet	Stenhoj
BendPak	Kimm	Stertil Koni
Benwil	Koni	Sun
Bishamon	Launch	Tecalemit
Boston	Laycock	Titan
Bradbury	Lincoln	Weaver
Cascos	Maha	Werther
Consul	Manitowoc Lifts	Western
Challenger	Mohawk	Westinghouse
Force	Nussbaum	Wheeletronic
Ford Smith	OMA	Worth
Forward	OMCN	Zippo
Fuchs / Zippo	PMW	

### IN-GROUND LIFT PARTS FOR:

Benwil	Gilbarco	PKS Lifts
Challenger	Globe	Rotary
Cochin	HDL/ISS Innovative	US Hoist
Curtis	Joyce	Weaver
Ford Smith	Manitowoc Lifts	Western

### AIR COMPRESSOR PARTS

- Air Receiver Tanks • Compressor Mufflers
- Automatic Tank Drain Valve for Champion Compressors
- Filters—Many OEM Ref Available!
- Filters, Regulators, Lubricators
- Intake Filter Products
- Milton Air System Products
- Re-Coil Hose • Valves
- Vibration Dampening Pads & much more!



### BRAKE LATHES & REPAIR PARTS

- RELS Brake Lathes—RELS 2000 / 2000XL
- Brake Lathe Repair Parts and Accessories for All Makes

### EXHAUST REMOVAL SYSTEMS & PRODUCTS

### FLUID DELIVERY

- Lenz Fittings
- Steel Hydraulic Line Tubing and Fittings
- Strut and Hangers

### HOSE REELS BY REELCRAFT®

### HYDRAULIC CYLINDERS—

- Custom Single-Acting Large Bore Cylinders
- Also see "Lifting Equipment"

### LIFTING EQUIPMENT

- New In-Ground Lifts—Car, Truck & Bus
- Small Equipment Shop Maintenance (SESM) Lifts for lifting Landscape Equip. ATVs / UTVs, Motorcycles, Lawn Mowers, Golf Carts and More!
- Custom Lifting Equipment incl. Production Line Lifts, Rail Car Lifts and More
- Custom Hydraulic Cylinders for Various Applications
- Turf Attachments for 2-Post Lifts

### LUBRICATION & PAINT / FOAM SPRAY REPAIR PARTS & KITS FOR:

- Alemite • ARO • Balcrank • Graco • Lincoln

### PETROLEUM EQUIPMENT & REPAIR PARTS FOR:

- Gas Pump & Meter Kits and Parts for Gasboy • Tokheim • Fill-Rite
- Including Parts for Older Pumps: Wayne • Bennett • Gilbarco • Bowser A.O. Smith (Geosource) • Southwest

### SEAL KITS

### SHOP EQUIPMENT

- Hein-Werner Products • Omega Products
- Porto-Power • Pro-Lift

### TIRE EQUIPMENT REPAIR PARTS

- Tire Changer and Wheel Balancer Parts for All Makes

Accu-Turn	FMC	Nussbaum
All Tool	Giuliano	Ranger
Ammco®*	Hofmann	Sicam
BaseLine®*	Hunter	Sice
Bosch	John Bean /	Snap-On
Cemb	(JBC)	Teco
Coats®*	Kwik-Way	Tuxedo
Corgh	Launch	

### VALVES

- Air Compressor Valves of All Types
- Air and Hoist Control Valves
- Ball Valves • Check Valves
- Kingston Valves • Pressure Relief Valves
- Relief Valves • Safety Valves
- Solenoid Valves
- Tire Changer Valves • And More!

### CUSTOM PRODUCTS

And let us know if you want something you use in your shop to be added to our product line!

In addition to SVI's DIRECT FIT BRAND, we are proud to be a one-stop shop for many other great products including:



3 Ready-Ship Warehouses for Faster Shipping! | **BALTIMORE • CHICAGO • LOS ANGELES**

**Main Office:** 155 Harvestore Drive • DeKalb, IL 60115

All names, numbers, symbols and descriptions are used for reference purposes only. It is not implied that any part listed is the product of these manufacturers;

Entire contents copyright © 2021, SVI International, Inc. Prices subject to change without notice.

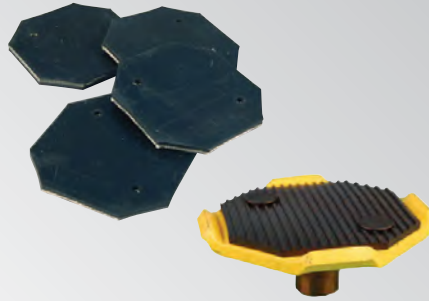
\*AMMCO, BASELINE, COATS and DUCKHEAD are registered trademarks of Hennessy Industries, Inc. SVI International, Inc. is not associated in any way with Hennessy Industries, Inc.

**TERMS AND CONDITIONS OF THE  
SALES ORDER  
FOR SVI INTERNATIONAL, INC.**

1. **GENERAL.** The terms and conditions of sales order outlined herein shall apply to the sale by SVI INTERNATIONAL, INC. (hereinafter referred to as "Company") of the items described on the facing page (hereinafter referred to as "Merchandise") to Purchaser.
2. **DELIVERY.** Delivery shall be deemed to be complete when the Merchandise has been shipped F.O.B. Company's plants in DeKalb, Illinois, Montclair, California; and Hanover, Maryland ("Company's plants"). Shipments are subject to delays from causes or contingencies beyond the reasonable control of the Company. When otherwise not specified, shipments will be made in standard containers via carrier which, in the judgment of the Company, will result in the most practical method. Title and right of possession will pass to the Purchaser upon receipt by the carrier at the shipping point. If a customer of the Company should specify a specific carrier's method of shipment (i.e. UPS Next Day Air) and that carrier does not perform to the customer's expectations, freight credit to a customer's account will not be issued unless the Company can first obtain a credit.
3. **RISK OF LOSS.** Identification of the Merchandise under Uniform Commercial Code (hereinafter referred to as "UCC") Section 2-501 shall take place at the moment of shipment F.O.B. Company's plants. Risk of loss shall pass to the Purchaser when the Merchandise is shipped from the Company's plants.
4. **TITLE.** Title to the merchandise shall transfer to the Purchaser when the Merchandise is shipped from the Company's plants.
5. **WARRANTIES.** The Company guarantees its products to be free from defects in workmanship and raw materials for a period of one year from date of purchase. THIS WARRANTY IS EXPRESSLY IN LIEU OF ANY AND ALL WARRANTIES EXPRESS OR IMPLIED. COMPANY DOES NOT WARRANT THE MERCHANDISE IS MERCHANTABLE OR FIT FOR ANY PARTICULAR PURPOSE. Company's liability for breach of the terms of this Agreement, including any warranty, is limited to either refund of the invoice price of the Merchandise or at Company's option, replacement of the Merchandise free of charge, including transportation charges but not including the cost of labor. Purchaser has not relied on any statement or upon the conduct of Company with respect to the prospective use of the merchandise. Company shall not be liable for and Purchaser waives any and all claims for any loss or damage, directly or indirectly, arising from the use of the Merchandise and for punitive, incidental or consequential damages, including, but not limited to, damages to property, for loss of use, loss of time, loss of profit or loss of income. The Company does not authorize the sale of our products under any other warranty, expressed or implied. **Please note:** Electrical components and cylinder or shaft seals are not covered under warranty.
6. **SETOFF.** All claims for money due or to become due from the Company shall be subject to deduction by the Company for any setoff or counterclaim arising out of this or any other claims of the Company or its affiliated companies, whether such setoff or counterclaim arose before or after any assignment by Purchaser.
7. **INDEMNIFICATION.** Purchaser agrees to indemnify the Company and hold it harmless from and against all claims, liability, loss, damage or expense, including reasonable counsel fees, arising from or by reason of any modifications or alterations made by Purchaser. If a customer of the Company modifies or alters any part, in any manner whatsoever, or uses any part in departure from recommended performance specifications, said customer agrees to indemnify and hold the Company harmless from and against all liability and expenses based on damage to property or injury to or death of any person arising out of or attributable to such modified or altered part. Further, the Company will not accept any such modified or altered part for credit to a customer's account.
8. **FREIGHT POLICY.** Freight charges are prepaid and added to invoice or collect FOB shipping point. Note: All customers are responsible for all carrier shipping costs, fees, surcharges, etc. including order refusal and return fees.
9. **RETURN POLICY.** To return a part for credit or inspection, Purchaser must first contact our Main Office in Illinois, to obtain a Return Merchandise Form. Once Purchaser has obtained this form, the parts can be returned freight prepaid only. The Return form must be included with the shipment. Parts returned to the Company without the approved form will be returned freight collect to the shipper or refused. Returns must be initiated within 30 days of the invoice date. The Return Forms are valid for 30 days, from the date of issue. All Returns are subject to restocking charges. Return parts brought into our remote warehouses, will not be accepted by our personnel, without a Return Merchandise Form from the Main Office. Parts which have been used in any way or manner, including any installation or incorporation into a lift, hoist, or other equipment, shall NOT be eligible for return whether or not a Return form has been assigned. **Please note:** Electrical parts or components are not returnable for credit. This includes all switches, pushbuttons, relays, electric motors, capacitors, fuses, solenoids, power units with wiring issues or any other electrical items. Custom, built to order, special order, and non-stocked genuine parts are non-returnable.
10. **RESTOCK CHARGE.** Returns are subject to a restocking charge. Refusals are subject to the same restocking charge plus the cost of outbound and return freight charges and/or fees incurred by the Company due to shipment refusal.
11. **PRICES AND PAYMENTS.** All prices are subject to change without notice. All prices are F.O.B. shipping point. The Company standard terms are net 30 days, C.O.D. company check, C.O.D. cash, VISA, MasterCard, Discover or American Express. However, if in the judgment of the Company, the financial condition of the Purchaser at any time does not justify shipment according to standard terms of payment, the Company may require full or partial payment in advance.
12. **INTERPRETATION.** This sales order is intended by the parties as a complete and exclusive statement of the terms of their agreement. It supersedes all prior agreements, written or oral. No course of prior dealings between the parties and no usage of the trade shall be relevant to supplement or explain any terms used in this sales order. Acceptance or acquiescence in a course of performance rendered under this purchase order shall not be relevant to determine the meaning of this sales order even though the accepting or acquiescing party has knowledge of the nature of the performance and opportunity for objection. Whenever a term defined by the UCC is used in this sales order the definition contained in the UCC shall control.
13. **MODIFICATION.** This sales order can be modified or rescinded only by a writing signed by both parties.
14. **WAIVER.** No claim or right arising out of a breach of this sales order can be discharged in whole or in part by a waiver or renunciation of the claim or right unless such waiver or renunciation is supported by consideration and is in writing signed by the aggrieved party.
15. **ASSIGNMENT.** No right or interest in this sales order shall be assigned by either party without the written consent of the other and no delegation of any obligation owed, or of the performance of any obligation by either the Company or Purchaser shall be made without the written consent of the other party. Any attempted assignment or delegation not made in conformity with this paragraph shall be wholly void and totally ineffective for all purposes.
16. **TIME TO PERFORM AND BRING ACTION.** Time is of the essence of this sales order. Any action for breach of this sales order shall be commenced within two (2) years after the cause of action has accrued. Any party who loses any litigation shall reimburse the other party for costs including reasonable attorney's fees. The exclusive jurisdiction for any legal action shall be the Circuit Court of DeKalb County, Illinois.
17. **APPLICABLE LAW.** This sales order shall be governed by the UCC of Illinois as effective and in force on the date of this sales order.



BALTIMORE • CHICAGO • LOS ANGELES



- Air Compressor Parts and Accessories
- Auto Lift Parts for Any Brand
- Auto Lift Cables and Chain
- Auto Lift Power Units and Parts
- Auto Lift Sheaves / Pulleys and Chain Rollers
- Brake Lathe Repair Parts for All Makes
- Exhaust System Products
- Fluid Delivery Repair Parts
- Hose Reels and Hose Stops
- In-Ground Auto Lifts
- Lubrication Equipment Repair Parts
- Petroleum / Service Station Pump and Tank Products
- Repair Parts for Gasboy Consumer Series
- SESM Lifts for ATV/UTV, Golf Cart and More!
- Tire Changer Repair Parts
- Turf Attachments for 2-Post Lifts
- Vehicle Lifting Systems
- Wheel Balancer Accessories

**DIRECTFIT™**  
SVI's DIRECT FIT™ BRAND

## SVI International, Inc.

155 Harvestore Drive • DeKalb, IL 60115

**800-321-8173 • 815-748-0200**

Fax: 800-899-1784 • 815-748-0210

Entire contents copyright © 2021, SVI International, Inc.

Information and Catalogs Online:  
[www.sviinternational.com](http://www.sviinternational.com)