

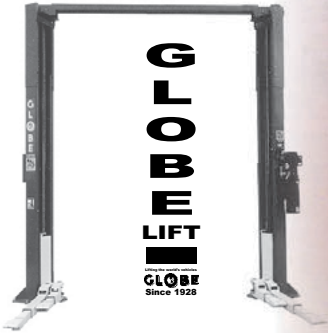
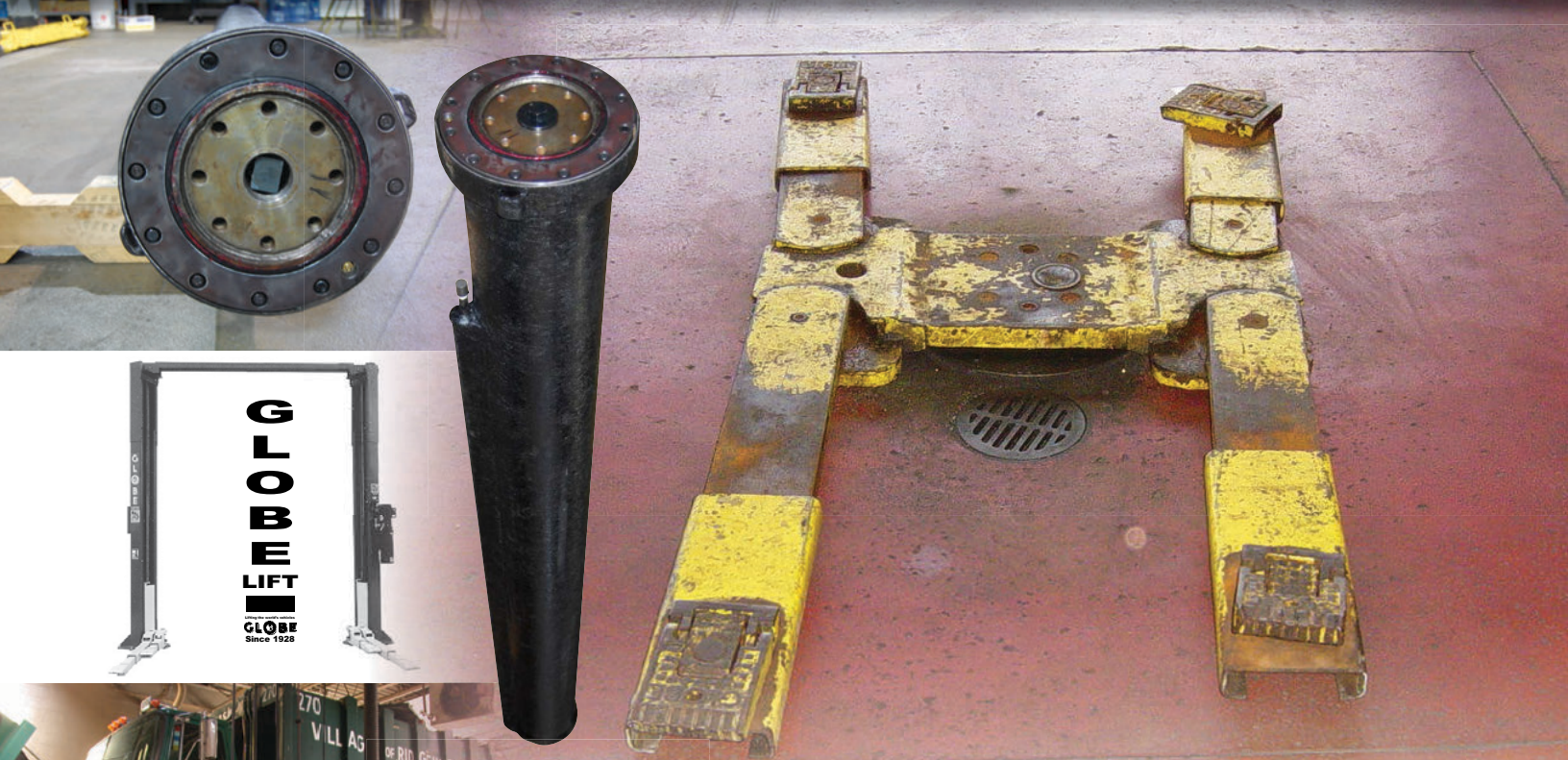


DIRECTFIT™

Auto Lift Repair Parts and Accessories for Globe Lifts / Ford-Smith

Automotive Shop Equipment | Auto Lift Repair Parts

The Industry's Largest Selection of Auto Lift Repair Parts



**Want a new Globe?
SVI still builds and
supplies these
every day.**



FS-10



SVI International, Inc.

155 Harvestore Drive • DeKalb, IL 60115

800-321-8173

815-748-0200

www.sviinternational.com

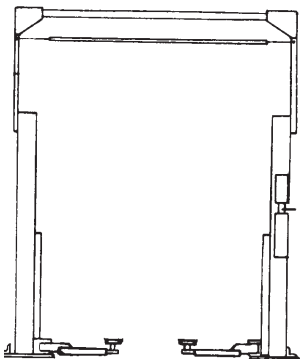
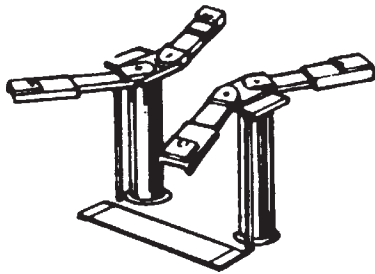
CHICAGO • LOS ANGELES



Globe Lifts and Replacement Front / Rear Sections/Kits are Still Available—Call SVI Today!

Table of Contents

for Globe & Ford Smith
In-Ground and Surface-Mount Lifts



Globe In-Ground Lifts~~N~~ EW Complete Lifts! 3–5

Lift Packing Cross Reference Information 6–9

DUSL Upper Bearing Kit..... 10–13

Miscellaneous Products for In-Ground Lifts..... 14

Single Post Lifts..... 15–16, 31–34
Models: FS-10A & H

Twin Post Side by Side Lifts 17–20, 31–34
Models: F-27, F-28, FS-27, FS-28, FSN-28, FSR-28

Twin Post Fore and Aft Car and Truck Lifts 21–22, 38–39
Models: MP-28A & E, MP-810A & E

Twin Post Fore and Aft Truck and Bus Lifts..... 23–24, 39–42
Models: MP-210A & E, SHMP-210A & E,
SHMP-310A & E, SHMP-310EDR

Fixed Piston Lifts (12-5/8") for Truck and Bus Lifts 25, 42–44
Models: SHRS-212E, D-SH-12E, MP-10-12-10E,
MP-1012E, SHMP-1012E

Oil Control Valves and Air/Oil Tanks 26

Two Post Surface-Mount Lifts..... 27–29
Models: AFO-7, AFO-7A, AFO-7EH, AFO-9, AFO-9A, AFO-9EH

Miscellaneous Products for Surface-Mount Lifts 29

Adapters, Height Extensions and Pads 30–45
SVI offers many more options and also Custom Adapters—Call Today!

More from SVI!..... 46–48

CHICAGO • LOS ANGELES

800-321-8173 • 815-748-0200

E-Mail: parts@sviintl.com

www.sviinternational.com

FS-10



An SVI Brand Product Line

(800) 321-8173

**ENVIRONMENTALLY FRIENDLY
AND SAFE TO OPERATE!**

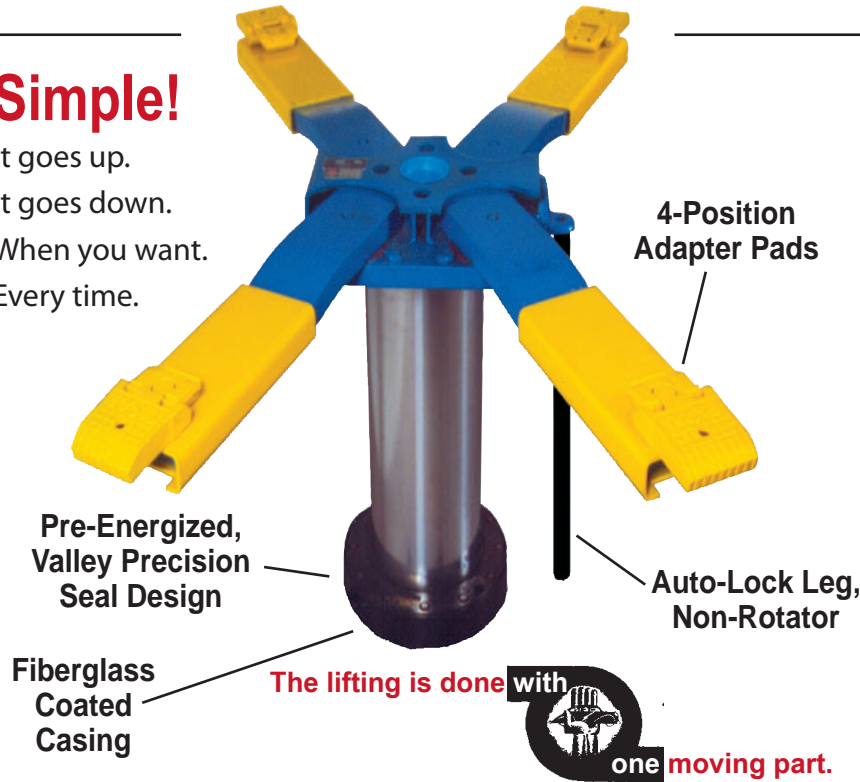
Operates off of Compressed Air and
Non-Vegetable Based Fluid
Just Like That Used by the US Coast Guard

Since 1928.

Now, it's your turn to own a Globe.

Simple!

It goes up.
It goes down.
When you want.
Every time.



Single-Post,
Frame Contact
Passenger Car Lift

Model FS-10AS
(Semi-Hydraulic)

Model FS-10BS
(Full-Hydraulic)

Applications:

- Car Dealerships
- Tire Dealerships
- Brake Shops
- Tune Up Centers
- Service Stations
- Body Shops
- Fleet Service
- Quick Lubes
- Car Collectors
- Scrap Yards
- Anywhere Auto

FS-10 models are exempt from
Federal EPA regulation.

In-ground lifts are making a
major resurgence due to their
solid design and proven service life.
Nothing outperforms or costs less
to operate than an in-ground lift.

Get in, get one!

- Handles Most Domestic and Imported Models
- 4-Position Adapters Provide Excellent Undercar Accessibility
- Low Profile - 4" Road Clearance
- Ideal in Virtually Any Shop
- Great for Front End and Suspension Work

Specifications:

- Capacity:** 8,000 lbs. @ 150PSI (2,000 lbs. per Adapter)
- Operation:** "AS" = Semi-Hydraulic or "BS" = Full-Hydraulic
- Rise:** 72"
- Stroke:** 68"
- Displacement:** 26 gallons
- Initial Fill:** 40 gallons "AS" and 50 gallons "BS"
- Cylinder:** 10-5/8" Diameter
- Superstructure:** Solid Steel Bolster-Style and Low Profile Swing Arms
- Adapters:** Ductile Iron, 4-Position Adjustable on Sliding Sleeves
- Low Oil Control and**
- Auto Lock Leg:** Supplied in Accordance with ANSI B153.1 Specifications





Did you know?

In-Ground Globe Lifts Are Available from SVI!

Simple!

It goes up.
It goes down.
When you want.
Every time.

Since 1928.
Now, it's your turn to own a Globe.



An SVI Brand Product Line

ENVIRONMENTALLY FRIENDLY AND SAFE TO OPERATE!

Operates off of Compressed Air and Non-Vegetable Based Fluid
Just Like That Used by the US Coast Guard

These models are exempt from Federal EPA regulation.

In-ground lifts are making a major resurgence due to their solid design and proven service life.

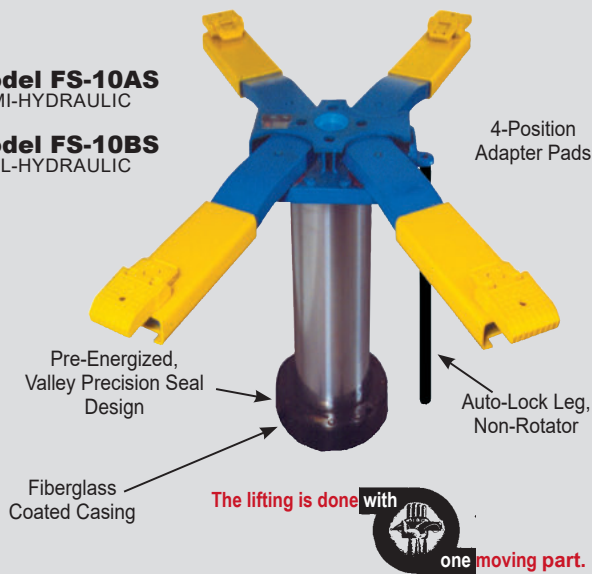
Nothing outperforms or costs less to operate than an in-ground lift. Get in, get one!

SINGLE-POST IN-GROUND FRAME CONTACT PASSENGER CAR LIFT

FS-10 8,000 LB. CAPACITY

Model FS-10AS
SEMI-HYDRAULIC

Model FS-10BS
FULL-HYDRAULIC



The lifting is done with **one moving part.**

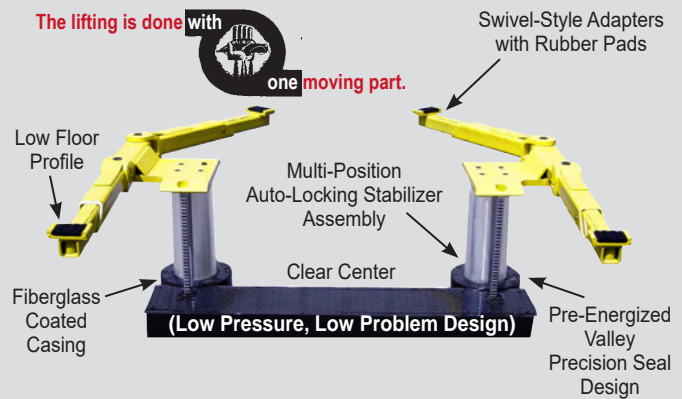
- Handles Most Domestic and Imported Models
- 4-Position Adapters Provide Excellent Undercar Accessibility
- Low Profile - 4" Road Clearance
- Ideal in Virtually Any Shop
- Great for Front End and Suspension Work

SPECIFICATIONS:

Capacity:	8,000 lbs. @ 150PSI (2,000 lbs. per Adapter)
Operation:	"AS" = Semi-Hydraulic or "BS" = Full-Hydraulic
Rise:	72"
Stroke:	68"
Displacement:	26 gallons
Initial Fill:	40 gallons "AS" and 50 gallons "BS"
Cylinder:	10-5/8" Diameter
Superstructure:	Solid Steel Bolster-Style and Low Profile Swing Arms
Adapters:	Ductile Iron, 4-Position Adjustable on Sliding Sleeves
Low Oil Control and Auto Lock Leg:	Supplied in Accordance with ANSI B153.1 Specifications

TWO-POST IN-GROUND FRAME CONTACT PASSENGER CAR LIFT

FSDT-28 12,000 LB. CAPACITY



The lifting is done with **one moving part.**

Model FSDT-28BS-N
FULL-HYDRAULIC

Model FSDT-28BS-W
FULL-HYDRAULIC

- Handles Most Domestic and Imported Models
- 360° Swivel Adapters
- Low Profile - 4-3/4" Road Clearance
- Ideal in Virtually Any Shop
- Great for Front End and Suspension Work

SPECIFICATIONS:

Capacity:	12,000 lbs. @ 150PSI (3,000 lbs. per Adapter)
Operation:	"BS" = Full-Hydraulic
Rise:	72" Floor to Top of the Adapter Pad without Extension
Plunger Centers:	57-1/2"
Displacement:	36 gallons
Initial Fill:	65 gallons
Cylinders:	8-1/2" Diameter
Superstructure:	Solid Steel Bolster-Style and Low Profile Swing Arms
Adapters:	360° Nesting Style, Swivel Adjustable on Sliding Sleeves
Low Oil Control and Auto Lock Leg:	Supplied in Accordance with ANSI B153.1 Specifications



Call SVI Today...

In-Ground Globe Lifts Are Available from SVI!

Simple!

It goes up.
It goes down.
When you want.
Every time.

Since 1928.
Now, it's your turn to own a Globe.



An SVI Brand Product Line

ENVIRONMENTALLY FRIENDLY AND SAFE TO OPERATE!

Operates off of Compressed Air and Non-Vegetable Based Fluid
Just Like That Used by the US Coast Guard

These models are exempt from Federal EPA regulation.

In-ground lifts are making a major resurgence due to their solid design and proven service life.

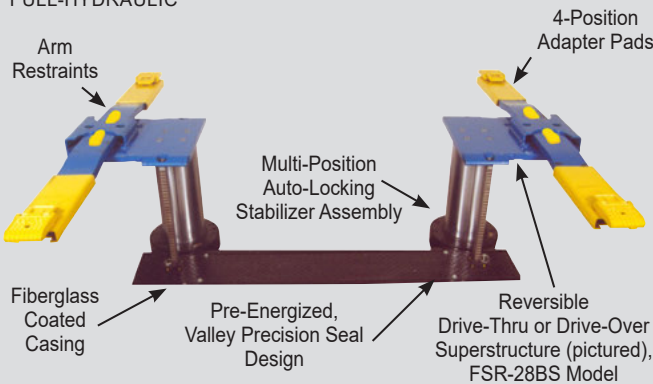
Nothing outperforms or costs less to operate than an in-ground lift. Get in, get one!

**TWO-POST IN-GROUND
FRAME CONTACT PASSENGER CAR LIFT**

FSR-28

**8,000 LB.
CAPACITY**

Model FSR-28BS
FULL-HYDRAULIC



The lifting is done with **one moving part.**

- Handles Most Domestic and Imported Models
- 4-Position Adapters Provide Excellent Undercar Accessibility
- Low Profile - 4" Road Clearance
- Ideal in Virtually Any Shop
- Great for Front End and Suspension Work

SPECIFICATIONS:

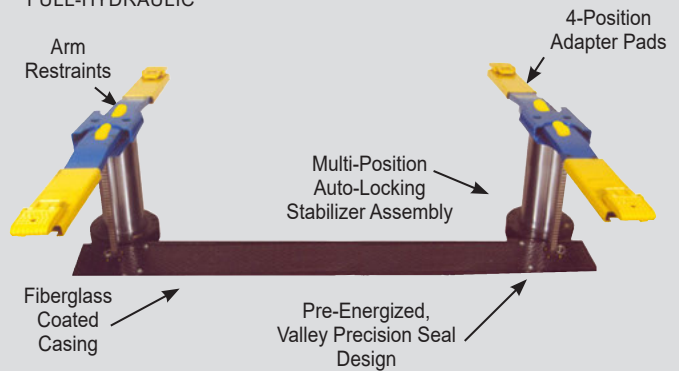
Capacity: 8,000 lbs. @ 150PSI (2,000 lbs. per Adapter)
Operation: "BS" = Full-Hydraulic
Rise: 71-1/2" Floor to Top of the Adapter Pad
Plunger Center: 57-1/2"
Displacement: 36 gallons
Initial Fill: 65 gallons
Cylinder: 8-1/2" Diameter
Superstructure: Solid Steel Bolster-Style and Low Profile Swing Arms
Adapters: Ductile Iron, 4-Position Adjustable on Sliding Sleeves
Low Oil Control and Auto Lock Leg: Supplied in Accordance with ANSI B153.1 Specifications

**TWO-POST IN-GROUND
FRAME CONTACT PASSENGER CAR LIFT**

FS-28

**8,000 LB.
CAPACITY**

Model FS-28BS
FULL-HYDRAULIC



The lifting is done with **one moving part.**

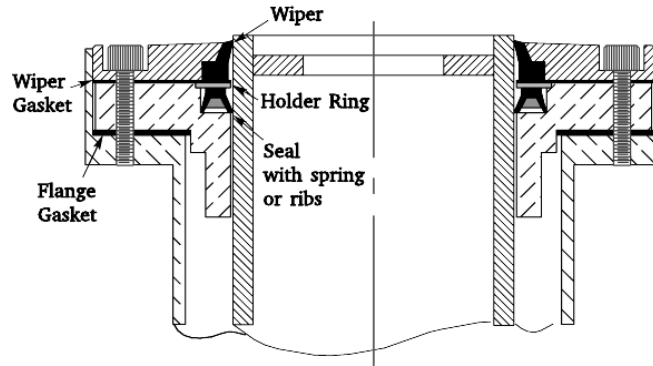
- Handles Most Domestic and Imported Models
- 4-Position Adapters Provide Excellent Undercar Accessibility
- Low Profile - 4" Road Clearance
- Ideal in Virtually Any Shop
- Great for Front End and Suspension Work

SPECIFICATIONS:

Capacity: 8,000 lbs. @ 150PSI (2,000 lbs. per Adapter)
Operation: "BS" = Full-Hydraulic
Rise: 71-1/2" Floor to Top of the Adapter Pad
Plunger Center: 88"
Displacement: 36 gallons
Initial Fill: 65 gallons
Cylinder: 8-1/2" Diameter
Superstructure: Solid Steel Bolster-Style and Low Profile Swing Arms
Adapters: Ductile Iron, 4-Position Adjustable on Sliding Sleeves
Low Oil Control and Auto Lock Leg: Supplied in Accordance with ANSI B153.1 Specifications





Lift Packing Cross Reference



**7-1/2"
Seals**

U-Cup Style Pictured

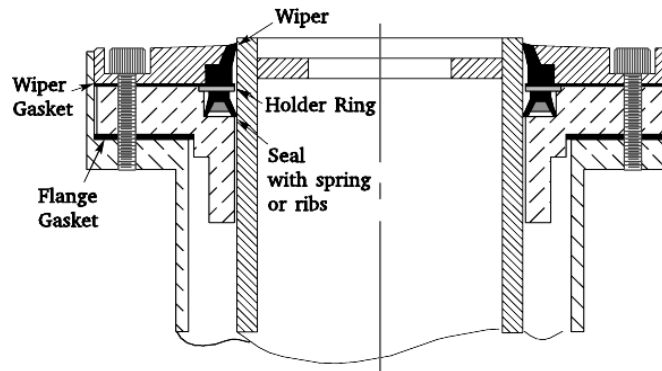
SVI Lift Packing Kit	Ref. OEM Kit No.	Reference Information	Plunger Diameter	Contents and Descriptions SVI Lift Packing Kits
BH-1736	A14434	MP-27 & MP-127 Fore & Aft Two Post Hoist 	7-1/2"	2 - 8-3/4" x 7-1/2" Neo Fab Vees 1 - Gasket 1 - Felt Wiper 1 - O'ring 6 - Springs (Please reuse existing male adapter)
BH-1738	S-77	SR, F-27, Type 3-5 Two Post SR-27 Type 78, SR-36 Str.	7-1/2"	6 - 8-1/2" x 7-1/2" Synthetic Vees (302X751) 2 - Gaskets (B15018-310) Old Style 2 - Gaskets (B15220-310) KIT PACKS BOTH POSTS Optional: BH-1780-02 Rubber Wiper (335X7)
BH-1739X	U70 + W74	SR-27 Type 7, 71, 72, 73	7-1/2"	1 - 9-1/2" x 7-1/2" Synthetic U Cup (323X7) 2 - Gaskets (B15015-310) 1 - Wiper (335X7)
BH-1771X	U71 + W74	SR-27 Type 1, 2, 74, 76, 77, 78, 700, 707, FS & FS-27 Type 706, SR-ER, F-77, SER-78, Type 713, S-7 Type 75-79, F-27 Type 4, 701, 702, 709, 710, V-7 Type 708	7-1/2"	1 - 9-1/2" x 7-1/2" Synthetic UCup (323X7) 2 - Gaskets (B15015-310) 1 - Gasket (B15210-308) 2 - Gaskets (B15018-310) Old Style 1 - Wiper (335X7)
BH-1779X	U73 + W74	SR-78, FS-27 Type 719, 720, 721, V-7 Type 722, ROR-278	7-1/2"	1 - 9-1/2" x 7-1/2" Synthetic U Cup (323X7) 1 - Gasket (B37453) 1 - Gasket (B37446) 1 - Wiper (335X7)
BH-1780XU	UW-73	Universal For all 7-1/2" Diameter Plungers with U Packing 	7-1/2"	1 - 9-1/2" x 7-1/2" Synthetic U Cup (323X7) 2 - Gaskets (B15015-310) 2 - Gaskets (B15018-310) Old Style 2 - Gaskets (B15220-310) 1 - Gasket (B15210-308) 1 - Gasket (B37453) 1 - Gasket (B37446) 1 - Wiper (335X7)

Please note: Some of the older leather style packings may also be available. Call SVI for details.

P
a
g
e



Lift Packing Cross Reference



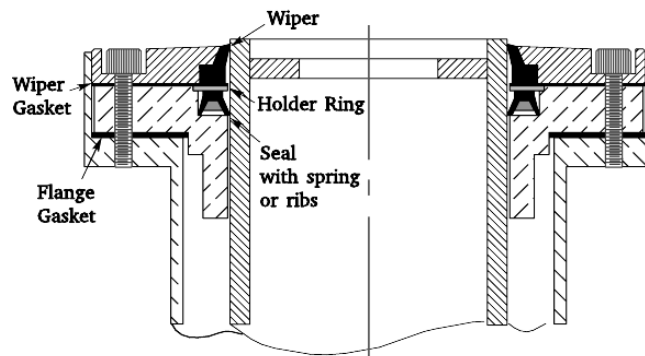
U-Cup Style Pictured

**7-1/2"
& 8-1/2"
Seals**

SVI Lift Packing Kit	Ref. OEM Kit No.	Reference Information	Plunger Diameter	Contents and Descriptions SVI Lift Packing Kits
BH-1786	Q70	SR-78, FS-27, Type 715, SER-78 Type 716, EF-77	7-1/2"	1 - Quad Ring 1 - Wiper Ring (B33165-2) 1 - Gasket
BH-1742	C-10	1928-30, 1931 Standard	8-1/2"	1 - 10-1/8" X Solid x 1-1/2" x 1/4" Leather cup 1 - Felt Wiper (288)
BH-1743	C-11	1942-46 Standard Twin Post	8-1/2"	1 - 10-1/8" x 8-1/8" x 1-1/4" Leather Cup 1 - Gasket (79X A8125-310)
BH-1744X	S87 + W85	P-28 and SR-28 Types 83, 86, 87 S-8 Type 84 Twin Post	8-1/2"	6 - 9-1/2" x 8-1/2" Rubber Vees 2 - Top and Bottom Adapters 2 - Gaskets (B15108-310) Old Style 2 - Gaskets (B15220-310) 2 - Wipers <u>KIT PACKS BOTH POSTS</u>
BH-1745	UC-14	1941-1942 Superseal	8-1/2"	2 - 10-1/2" x 8-1/2" Synthetic U's (291 323X8) 1 - 10-1/8" x 8-1/8" x 1-1/4" Leather Cup
BH-1746X	U81 + W85	SR, S-8, Type 82, 98, 105, P-28 and SR-28, Types 8, 81, 85, F-8, V-8, PSER, PB6036, SH, "W"	8-1/2"	1 - 10-1/2" x 8-1/2" Ribbed U (323X8) 2 - Gaskets (B15018-310) Old Style 1 - Gasket (B15220-308) 2 - Gaskets (B15220-310) 1 - Wiper (335X8)
BH-1746SP	U81 + W85	Spring Style SR, S-8, Type 82, 98, 105, P-28 and SR-28, Types 8, 81, 85, F-8, V-8, PSER, PB6036, SH, "W"	8-1/2"	1 - 10-1/2" x 8-1/2" Synthetic U (323X8) 1 - Spreader Spring 2 - Gaskets (B15018-310) Old Style 1 - Gasket (B15220-308) 2 - Gaskets (B15220-310) 1 - Wiper (335X8)
BH-1788X	U81 + W85	SR-28 (1951), Rear SR-78, Front SR-810 & P-28 (Type 92), FH, SH, V-8, AS, BS, FB-8, BS, ROR-278, FS-28 Side by Side	8-1/2"	1 - 10-1/2" x 8-1/2" Ribbed U (323X8) 1 - Gasket (B37444) 1 - Gasket (B37446) 1 - Wiper (335X8)



Lift Packing Cross Reference



U-Cup Style Pictured

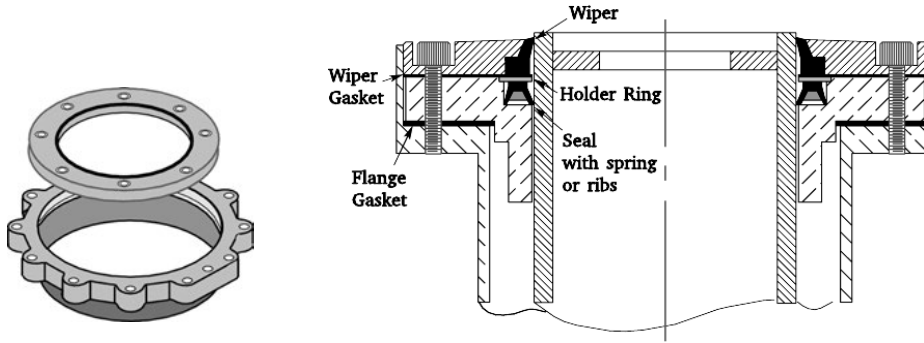
**8-1/2"
& 10-5/8"
Seals**

SVI Lift Packing Kit	Ref. OEM Kit No.	Reference Information	Plunger Diameter	Contents and Descriptions SVI Lift Packing Kits
BH-1788SP	U81 + W85	Spring Style SR-28 (1951), Rear SR-78, Front SR-810 & P-28 (Type 92), FH, SH, V-8, AS, BS, FB-8, BS, ROR-278, FS-28 Side by Side	8-1/2"	1 - 10-1/2" x 8-1/2" Synthetic U (323X8) 1 - Spreader Spring 1 - Gasket (B37444) 1 - Gasket (B37446) 1 - Wiper (335X8)
BH-1782XU	UW-81	Universal for all 8-1/2" Diameter Plungers with U Packing	8-1/2"	1 - 10-1/2" x 8-1/2" Ribbed U (323X8) 2 - Gaskets (B15018-310) Old Style 1 - Gasket (B15220-308) 2 - Gaskets (B15220-310) 1 - Gasket (B37444) 1 - Gasket (B37446) 1 - Wiper (335X8)
BH-1782XUU USA Dist. Only	UW81	Universal Uni-Seal Kit for 8-1/2" Diameter	8-1/2"	1 - 8-1/2" Uniseal (Seal & Wiper) Gaskets from BH-1782XU
BH-1782SP	UW-81	Spring Style Universal for all 8-1/2" Diameter Plungers with U Packing	8-1/2"	1 - 10-1/2" x 8-1/2" Synthetic U (323X8) 1 - Spreader Spring 2 - Gaskets (B15018-310) Old Style 1 - Gasket (B15220-308) 2 - Gaskets (B15220-310) 1 - Gasket (B37444) 1 - Gasket (B37446) 1 - Wiper (335X8)
BH-1789	Q73	SR, Type 108SER	8-1/2"	1 - Quad Ring 1 - Synthetic Wiper (B33165-1) 1 - Gasket (B33166)
BH-1791	C-12	1946-1947 Standard Twin Post	8-1/2"	1 - 10-1/8" x 8-1/8" x 1-1/4" Leather Cup 1 - Gasket (B15020-310)
BH-1794	C-13 C-14	1948 -15, -13 to -22 except -20	8-1/2"	1 - 10-1/8" x 8-1/8" x 1-1/4" Leather Cup 1 - Gasket (B15020-310) 1 - Gasket (B15018-310) Old Style
BH-1747X	U100 or U101 + W-104	ER-210, SR810 Types 3 & 15, Full & Semi Hydraulic, FS-10, PFW10AS, P10AS, R1010BS	10-5/8"	1 - 12-5/8" x 10-5/8" Ribbed U Cup 2 - Gaskets (B15237-310) 2 - Gaskets (B15237-308) 1 - Wiper Seal (293 335X10)

P
a
g
e





Lift Packing Cross Reference



10-5/8" Seals

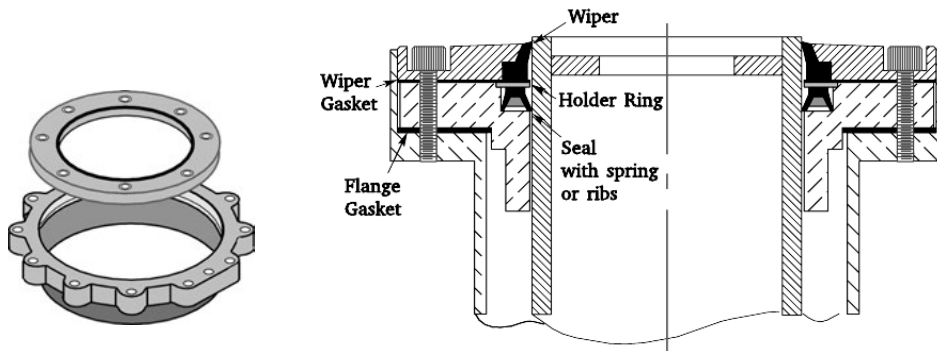
U-Cup Style Pictured

SVI Lift Packing Kit	Ref. OEM Kit No.	Reference Information	Plunger Diameter	Contents and Descriptions SVI Lift Packing Kits
BH-1747SP	U100 or U101 + W-104	Spring Style ER-210, SR810 Types 3 & 15, Full & Semi Hydraulic, FS-10, PFW10AS, P10AS, R1010BS	10-5/8"	1 - 12-5/8" x 10-5/8" Synthetic U Cup 1 - Spreader Spring 2 - Gaskets (B15237-310) 2 - Gaskets (B15237-308) 1 - Wiper Seal (293 335X10)
BH-1792	Q77, MP710	Full & Semi Hydraulic using 10-5/8" Quad Ring	10-5/8"	1 - Quad Ring 1 - Synthetic Wiper (33165-3)
BH-1795X	U102 + W-104	Full & Semi Hydraulic Type 10-75, 76, 10-78 through 10-94	10-5/8"	1 - 12-5/8" x 10-5/8" Ribbed U Cup 1 - Gaskets (B35992) 2 - Gaskets (B35052) 1 - Wiper Seal (293 335X10)
BH-1795SP	U102 + W-104	Spring Style Full & Semi Hydraulic Type 10-75, 76, 10-78 through 10-94	10-5/8"	1 - 12-5/8" x 10-5/8" Synthetic U Cup 1 - Spreader Spring 1 - Gaskets (B35992) 2 - Gaskets (B35052) 1 - Wiper Seal (293 335X10)
BH-1797X	UP-100 + W104	Pacific Globe F10 & Rear SR810, Serial numbers starting with 2L, PFS10ASR	10-5/8"	1 - 12-5/8" x 10-5/8" Ribbed U Cup 2 - Gaskets (B15243-308) 1 - Wiper Seal (293 335X10)
BH-1797SP	UP-100 + W104	Spring Style Pacific Globe F10 & Rear SR810, Serial numbers starting with 2L, PFS10ASR	10-5/8"	1 - 12-5/8" x 10-5/8" Synthetic U Cup 1 - Spreader Spring 2 - Gaskets (B15243-308) 1 - Wiper Seal (293 335X10)
BH-1798XU	UW-102	Universal for all 10-5/8" Diameter Plungers with U Packing 	10-5/8"	1 - 12-5/8" x 10-5/8" Ribbed U Cup 2 - Gaskets (B15237-310) 2 - Gaskets (B15237-308) 1 - Gasket (B35992) 2 - Gaskets (B35052) 2 - Gaskets (B15243-308) 1 - Wiper Seal (293 335X10)
BH-1798XUU USA Dist. Only	UW-102	Universal for all 10-5/8" Diameter Plungers with U Packing 	10-5/8"	1 - 10-5/8" Uniseal (Seal & Wiper) Gaskets from BH-1798XU

Hold Down Rings for all 10-5/8" U Cup style packings are available. Order BH-9420-14 (Metal) or BH-9420-14L (2L series)



Lift Packing Cross Reference



**10-5/8"
& 12-5/8"
Seals**

U-Cup Style Pictured

SVI Lift Packing Kit	Ref. OEM Kit No.	Reference Information	Plunger Diameter	Contents and Descriptions SVI Lift Packing Kits
BH-1798SP	UW-102	Spring Style Universal for all 10-5/8" Diameter Plungers with U Packing	10-5/8"	1 - 12-5/8" x 10-5/8" Synthetic U Cup 1 - Spreader Spring 2 - Gaskets (B15237-310) 2 - Gaskets (B15237-308) 1 - Gasket (B35992) 2 - Gaskets (B35052) 2 - Gaskets (B15243-308) 1 - Wiper Seal (293 335X10)
BH-1709X	UW-121	for all 12-5/8" Truck & Bus Hoists	12-5/8"	1 - 14-7/8" x 12-5/8" Ribbed U Cup (323X12) 1 - Gasket 2 - Gaskets (B15256-310) 1 - Wiper Seal (293 323X12)
BH-1709SP	UW-121	Spring Style for all 12-5/8" Truck & Bus Hoists	12-5/8"	1 - 14-7/8" x 12-5/8" Rubber U Cup (323X12) 1 - Spreader Spring 1 - Gasket 2 - Gaskets (B15256-310) 1 - Wiper Seal (293 323X12)
BH-1784	CL415846 CL408101	WAYNE F60686, E6068SLOC, A2520	10-1/2" Nominal	1 - 10-1/2" ID Quad Ring 1 - Wiper (H354500) 1 - Gasket (CL10353)
BH-1772	CL2029-2	WAYNE	10-5/8"	1 - 14-1/2" x 10-9/32 x 1-3/8" x 7/32" Leather Flange with 2 Spring Grooves 1 - 36" x 1/2" Square Felt Wiper 1 - 15-3/4" x 12-7/8" x 1/16" Gasket
BH-1773		WAYNE A6068F	10-5/8"	3 - 11-3/8" x 10-5/8" x 1-1/16" Neo-Fab Vees 1 - Top and 1 Bottom Adapter 1 - 34-1/2" Wiper 1 - 15-1/4" Gasket

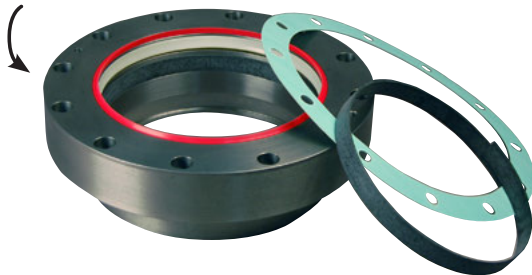


Upper Bearing Kits for Globe



BH-9420-16ATF
Pictured

Plunger Diameter: 10-5/8"
 OEM Part #: B-35054, B-35055
 OEM Material: Cast Iron
 Ident. Features: Has tag with a K# (38K-xxx) and Allen Head bolts
 Adjust-to-Fit #: BH-9420-16ATF is no longer available.
 SVI DUSL #: **BH-9420-16TK**
10-5/8" DUSL Upper Bearing Kit



This upper bearing kit updates and reduces plunger play on 10-5/8" diameter Globe lifts, specifically "WA" type cylinders. WA style cylinders have 12-bolts and are the most current generation of Globe cylinders. The BH-9420-16TK upper bearing upgrade kit accommodates any Globe 10-5/8" cylinder built from January 1965 to the present. **IMPORTANT!** This kit will NOT fit "W" style cylinders manufactured from 1956 through 1964, as they use a 6-bolt pattern.



Plunger Diameter: 8-1/2"
 OEM Part #: 37441-xxx (SVI)
 OEM Material: Cast Iron
 Ident. Features: Has tag with a K# (38K-xxx) and Allen Head bolts
 Adjust-to-Fit #: BH-9412-92ATF is no longer available.
 SVI DUSL #: **BH-9412-92TK**
8-1/2" DUSL Upper Bearing Kit

Modern Bearing Upgrade

standard **ATF** **DUSL**

What sets the best OEM (SVI) apart from other lift companies? The answer is simple, PROBLEM SOLVING! SVI dominates with current solutions for problems encountered both new and old. The transitions/upgrades from standard designs to the ATF and finally the DUSL tell this story better than anything else. It is amazing how one company can make so many improvements that benefit lift owners all across the world.

GLOBE

GOOD

Standard Bearing



BETTER

Standard Bearing with Adjust-to-Fit (ATF)

10-5/8" Standard and Standard ATF Bearings are *no longer available.*

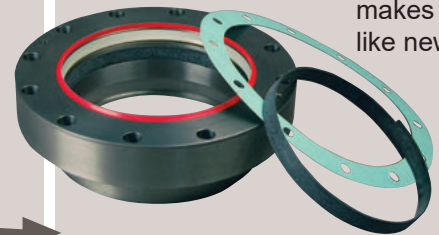
DUSL is all you need.

Triple Bearing Modernization = **DUAL UPPER SINGLE LOWER**
Maximum Stability

BEST

DUSL Bearing


makes an old lift like new again.



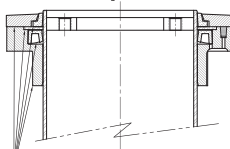
UPGRADE TODAY

As the once absolute dominate Worldwide favorite, Globe lifts can be found literally all around the globe. Today SVI continues this tradition and builds Globe brand semi-hydraulic lifts every day. These lifts may be marketed as Globe but they are distinctly SVI original equipment using only the SVI exclusive DUSL and ATF technology. This makes for one of the best sealing and most stable lifts on the market today. The DUSL system is available for virtually all 10-5/8" Globe lifts still found in service today. Use a DUSL bearing on a 30 year old Globe and you will stop the leaking and make the plunger play away. IMPORTANT! This kit will NOT fit "W" style cylinders manufactured from 1956 through 1964, as they use a 6-bolt pattern.

~ MUST READ PRIOR TO PERFORMING INSTALLATION ~

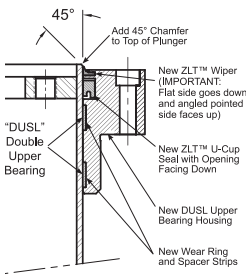

instructions **GLOBE**
"DUSL" Bearing & ZLT™ Seal Upgrade
 For Globe/Wayne and Ford Smith In-Ground Lifts

WHAT YOU ARE REMOVING
Old Style Packing Gland and Seal
Figure 1



Remove Entire Upper Bearing Assembly:
Wiper Seal Cover, Rubber Wiper, Holder Ring, Rubber U-Cup Seal/Packing, and Upper Guide Bearing. Use 3/4-10x2" Lp. Jack Screws or Steel Eyebolts to Remove Upper Guide Bearing.

WHAT YOU ARE INSTALLING:
New Style Upper Bearing and Seals
Figure 2



45°
Add 45° Chamfer to Top of Plunger

New ZLT™ Wiper (IMPORTANT: Flat side goes down and angled pointed side faces up)

"DUSL" Double Upper Bearing

New ZLT™ U-Cup Seal with Opening Facing Down

New DUSL Upper Bearing Housing


New Wear Ring and Spacer Strips

(Instructions continue on the following page)

SVI International, Inc. Toll Free: 800-321-8173 • Fax: 800-899-1784

entire contents copyright ©2016 SVI International, Inc. 02.15.2016 "DUSL" Bearing & ZLT Seal Upgrade • Page 1

~ MUST READ PRIOR TO PERFORMING INSTALLATION ~


instructions **GLOBE**
"DUSL" Bearing & ZLT™ Seal Upgrade
 For Globe/Wayne and Ford Smith In-Ground Lifts

NOTICE:

- Use only the screws and washers supplied with the SVI kit.
- NEVER USE AN AIR PACKING WRENCH WHEN INSTALLING THIS OR ANY UPPER BEARING OR GLAND RING ON ANY LIFT.
- You must make sure the seal lips pass over the chamfer on the plunger before beginning to tighten down the gland/upper bearing ring. Failure to do so will result in damage to the seal and the gland/upper bearing, and will void the warranty.

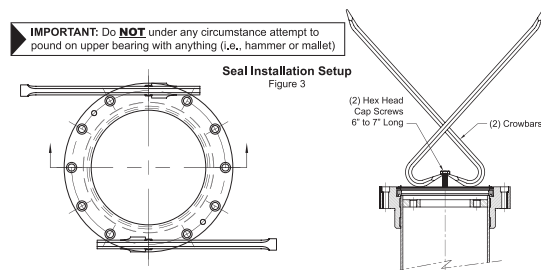
- With the plunger lowered all the way down (bottomed out), measure the distance between the top of the plunger (bottom of the bolster plate or saddle) down to the top of the rubber wiper. Use that distance for chamfering the top of the plunger (step 5).
- Raise plunger with saddle and safety leg attached.
- Inspect plunger, polish out any nicks or deep scratches.
- Lower plunger and saddle to waist height and remove saddle.
- Increase the chamfer (bevel) on the top of the plunger to the size measured in step 1. Make sure to leave a very smooth surface without any sharp edges that could cut into the ZLT seal or wiper by using emery cloth to finish polishing the chamfer.
- Clean up all chips, grinding dust, debris off the top of the plunger, wiper ring, and upper bearing.
- Put a light coating of oil on the exposed plunger. Take the new DUSL upper bearing housing with only the new wear rings and all the spacer strips in place (leaving the seal and wiper out at this point) and try to slide the assembly on the plunger. Coating the spacer strips in a couple of places with a little grease will help hold the strips in place. If the upper bearing housing does not slide freely, remove one spacer strip and try again. Continue removing one spacer strip at a time until the assembly slides over the plunger to get the best fit.
- Raise the plunger to the top of the stroke. Carefully double check that the new DUSL upper bearing housing and new wear strips fits properly for the entire working length of the plunger.
- Lower the plunger to waist height, remove the new DUSL upper bearing housing, then lower the plunger until it bottoms out.
- Remove the twelve socket head (or twelve point) cap screws and remove the entire old upper bearing assembly. Use two 3/4-10UNC x 2" long jack screws or steel eye bolts (not supplied) in the two threaded flange holes on the upper bearing to remove the upper bearing. Save the socket head cap screws for installing the new DUSL upper bearing housing and seals.

(Instructions continue on the following page)

SVI International, Inc. Toll Free: 800-321-8173 • Fax: 800-899-1784

entire contents copyright ©2016 SVI International, Inc. 02.15.2016 "DUSL" Bearing & ZLT Seal Upgrade • Page 2

- Clean the packing box and casing flange thoroughly. Scrape the casing flange with a small putty knife or scraper to be sure there is no concrete or other foreign material on the flange.
- Insert the ZLT seal and wiper into the new DUSL upper bearing housing.
- Clean the top of the cylinder casing and place a new gasket on top of the flange. If necessary use some heavy grease to help keep the gasket in place.
- Slide the new upper bearing assembly on to the plunger until the ZLT seal stops against the chamfer on the plunger (see figure 3).
- Use (2) 5' to 6' long hex head cap screws threaded into two opposite cylinder casing flange holes (see figure 3) leaving the screw heads 2" to 2-1/2" above the new upper bearing housing. Use one crowbar on each screw as shown in figure 3 and pull-push evenly on both to squarely press the new upper bearing housing on to the plunger.
 - You must make sure the seal lips pass over the chamfer on the plunger before beginning to tighten down the gland/upper bearing ring. Failure to do so will result in damage to the seal and the gland/upper bearing, and will void the warranty.
- Replace the twelve socket head cap screws and tighten down SLOWLY IN A CROSSING PATTERN. Be sure the upper bearing assembly is down squarely. If any screw refuses to pull all the way down, do not force it. Remove the screw and clean concrete and foreign matter out of the hole. If the screw still refuses to go down, shim under the head with flat washer(s) to make up the difference.
- Remove any entrapped air in the cylinder assembly using the bleeder vent and cycling the cylinder several times.
- Install saddle and safety leg. Carefully double check installation for leaks due to accidental trapped debris that was possibly missed during preparation and be sure the seals are not cut as a result of a rough chamfer.
- Installation complete.



SVI International, Inc.
155 Harvestore Drive • DeKalb, IL



800-321-8173 • fax: 800-899-1784
www.sviinternational.com

Adjust-to-Fit Upper Bearing Kits

ATF

Same as Standard, but with an Adjust-to-Fit groove for a perfect field fit and replaceable bearing.

ATF kits are available for the following lift makes:

- Challenger
- Globe
- Rotary
- SVI Power Post
- Weaver
- Western

Adjust-to-Fit (ATF) kits offer the solution to more accurately and easily reduce plunger rock on many reliable in-ground lifts still in service today. Until 2008, correcting plunger rock had been a time intensive repair activity. Detailed plunger measurements were needed and upper bearings had to be custom machined to size. Most everyone involved really just crossed their fingers in hope that the measurements went just right. SVI's Adjust-to-Fit Upper Bearing Kits take away all the guesswork. Each ATF kit is shipped with exactly what you need to correctly and easily field-fit the upper bearing to the snugest setting.



Plus, the new upper bearing kit housing will last virtually forever. The only thing that will need to be replaced from time to time is the actual bearing strip.

Thousands of lifts in service still need this product. Contact all vehicle lift owners that you know with this problem and offer up the solution. While you perform this repair, you will not only do a nice job, but also have an extremely satisfied and happy customer for life. Increased service revenue is right at your fingertips.

Adjust-To-Fit upper bearings are a real problem solver.

7-1/2", 8-1/2", 10-5/8" and 12-5/8"
Call to learn more.

Adjust-To-Fit Upper Bearing Kit for **Western** 10-5/8" Cylinders



SVI Exclusive **BH-1778D-ATF**

10-5/8" Adjust-To-Fit Upper Bearing Kit for Western

Innovation that fits—an ATF for Western lifts. **Adjust-To-Fit upper bearings** are a real **problem solver** and available for Western lifts. Without SVI, there had been no way to solve plunger rock problems with a Western lift because the cylinders are not repairable. SVI's proven-to-work kit solves this problem in all but the most extreme cases.

Installation is a breeze. In fact, installing an ATF on a Western is no different than replacing a seal. Each kit ships complete with an upper bearing housing, seal/wiper combo, a rubber o-ring, a glass filled nylon bearing and special spacer strips. The spacer strips allow you to adjust the tightness of fit for the bearing during installation. You simply install as many spacer strips as required in the bearing groove beneath the bearing for the proper fit.

When you have an idea, need something special, or just simply want a problem you are encountering solved, give us a call. We will see what we can come up with. SVI has an innovative can-do spirit and enjoys working on solutions to challenges and opportunities that you discover every day.

*Helps save **Western** lifts and keep them reliably in service.*

All names, numbers, symbols and descriptions are used for reference purposes only. It is not implied that any part listed is the product of these manufacturers. Information subject to change. Entire contents copyright © 2024, SVI International, Inc.

SVI International, Inc.
155 Harvestore Drive • DeKalb, IL



800-321-8173 • fax: 800-899-1784
www.sviinternational.com

Miscellaneous Products for In-Ground Lifts

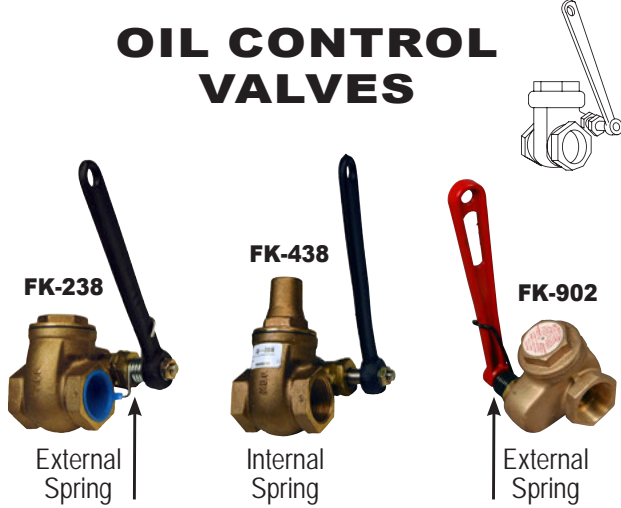


AIR CONTROL VALVES

FK-302-500
1/2" Locking Control Valve

FK-303-500
1/2" Non-Locking Control Valve

OIL CONTROL VALVES



FK-238
External Spring

FK-438
Internal Spring

FK-902
External Spring

The choice is yours!

SVI Valve #	Manufacturer	Description
FK-238	Morrison Bros.	External Spring Oil Valve
FK-438	Morrison Bros.	Internal Spring Oil Valve
FK-902	Milwaukee	External Spring Oil Valve

MANUAL STYLE RACK BAR LOCKS



Order: BH-9410ML

Fits Rack Bars:
BH-9409 & BH-9410

For All Globe Side-by-Side Lifts

For All Globe Side-by-Side Lifts



Screw-Type Orifice Kit with Tool for FS-10A / FS-10H
(Will not work on offset fill plug version)

BH-9420-19A
(Ref 43457)



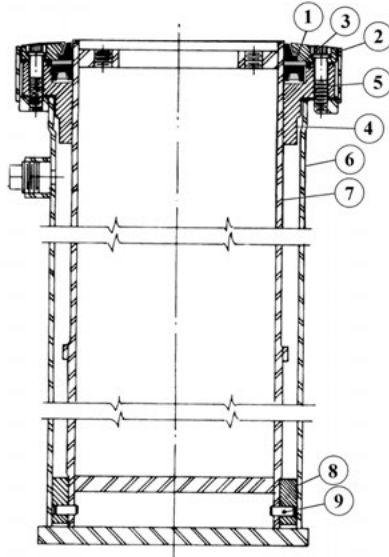
Semi-Hydraulic Plug
(Used on Off Set Version)

BH-9426-10
(Ref 36063-SP)

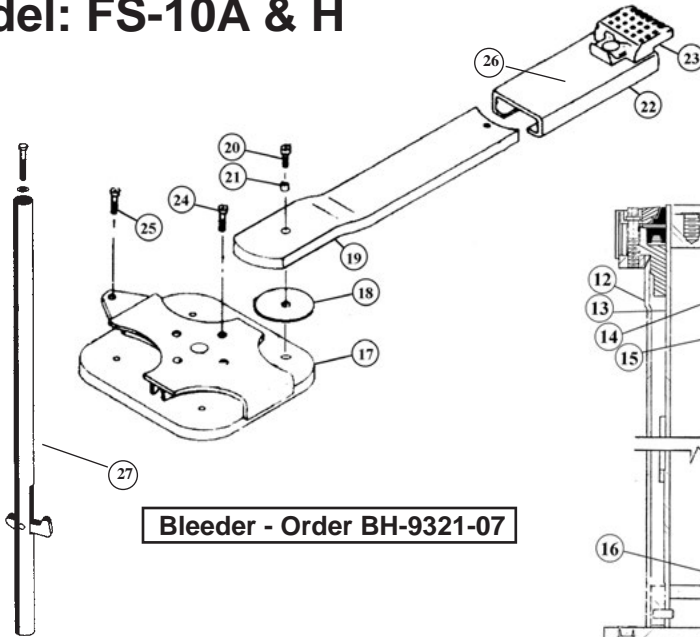


Single Post 10-5/8" Full and Semi-Hydraulic Lifts

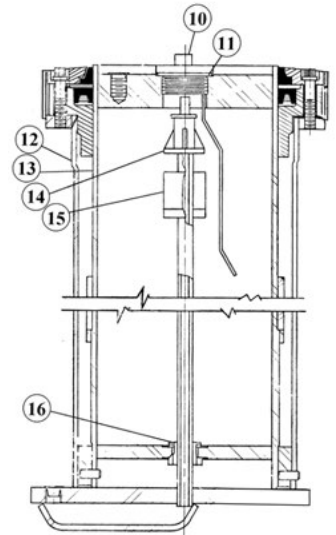
Model: FS-10A & H



Full Hydraulic



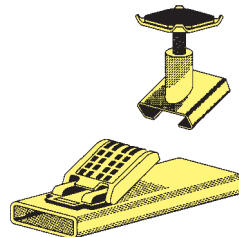
Semi Hydraulic



Item	SVI #	OEM #	Req	Description
1	BH-1798XU	UW102	1	Lift Packing Kit
	BH-1798SP	UW102	1	Spring Style Lift Packing Kit
2	BH-9420-15	B-35054	1	Wiper Seal Cover (Gland) 12Bolt
3	BH-9420-14	B-35056	1	Holder Ring (Steel)
	BH-9420-14L		1	Holder Ring (for 2L Plungers)
4	BH-9420-16	B-35055	1	Upper Guide Bearing
	BH-9420-16TK			10-5/8" DUSL Style Upper Bearing Kit (Does NOT fit "W" type 6-bolt cylinders)
5	F-SC-0625-11-2750	438XG22	12	Capscrew
6	BH-9420-04A	35573-006	1	Casing Assembly (Full Hyd.)
7	BH-9420-05	B-35570-12	1	Plunger Assembly (Full Hyd.)
8	BH-9420-08	B-41569	1	Lower Guide Bearing
9	BH-9420-03	359XM1250	1	Spring Pin
10	BH-9420-01	B-41538-1	1	Access Plug/Dipstick New 2"
11	BH-9420-02	204X3	1	Access Plug Gasket 2"
12	BH-9426-04	42041-001	1	Casing Assembly (Semi Hyd.)
13	BH-9420-07	B-38702-4	1	Plunger Ass'y (Semi-Hyd.)

Item	SVI #	OEM #	Req	Description
14	BH-9420-17	A-41085	1	Float Stop
15	BH-9420-18	A-39183	1	Float
16	BH-9420-19*	A-43457	1	New Orifice Seals w/o tools
	BH-9420-19A*	A-43457-G011	1	New Style Orifice Kit w/ tools
17	BH-9420-21	C-42876	1	Bolster Assembly
18	BH-9420-23	B-32101-2	4	Wear Washer
19	BH-9420-22	B-42936	4	Arm Assembly
20	F-TC-0625-11-1750	426XG-N14	4	Locking Cap Screw
21	BH-9420	A-40689	4	Arm Bushing/Spacer
22	BH-9420-09	C-34354	4	Sleeve and Adapter Assembly
--	BH-9420-29			Rubber Pad Adapter
23	BH-9420-11	C-34355	4	Lifting Pad only
	F-RP-250-1250	359XH0750	2	Stop Pin
24	F-SC-0875-9-2750	438X122	4	Cap Screw
25	F-SC-0625-11-2500	430XG20	1	Cap Screw
26	BH-9420-10	412XH-008	4	Arm Stop Pin for Sleeve black
	BH-9420-10C			Cap / Plug
	BH-9420-10B		4	Arm Stop Pin for Sleeve silver
27	BH-EL-67	C-43860	1	Non-Rotator
	BH-TR-67	C-43860	1	Top Release Non-Rotator

* This is new style screw type, compression style no longer available. Consult SVI sales representative for details.



BH-9420-26
Slip-On Adjustable
Height Extension (SOGPA)
 Order Rubber Pad: BH-7225-01
 or Rubber Pad Kit: BH-7225-01-4



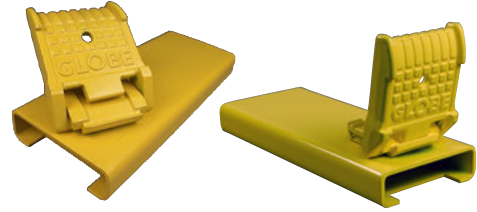
BH-9420-29 SVI Exclusive
Rubber Pad Adapter



Air/Oil Tanks for Full Hydraulic Lifts
 BH-9801-C Bottom Outlet
 Add "FG" for Fiberglass Coating



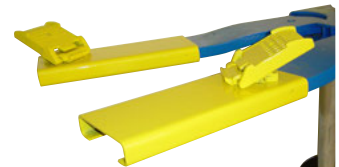
Single Post 10-5/8" Full and Semi-Hydraulic Lifts Model: FS-10A & H



Sleeve and Adapter Assemblies Available! 4-Position Frame Contact Adapters

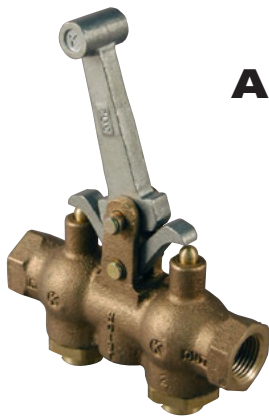
Reversible Sleeves (Standard Feature)

The adapter supporting sleeve can easily be slipped off the swing arm and reversed. This provides even greater flexibility in reaching pick-up points on today's smaller vehicles.



See Adapters, Height Extensions and Pads at the end of this catalog!

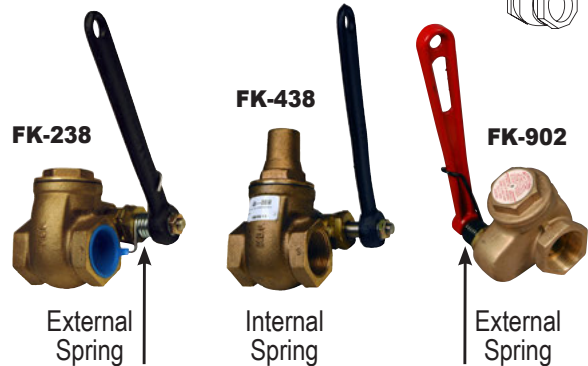
AIR CONTROL VALVES



FK-302-500
1/2" Locking Control Valve

FK-303-500
1/2" Non-Locking Control Valve

OIL CONTROL VALVES



The choice is yours!

SVI Valve #	Manufacturer	Description
FK-238	Morrison Bros.	External Spring Oil Valve
FK-438	Morrison Bros.	Internal Spring Oil Valve
FK-902	Milwaukee	External Spring Oil Valve

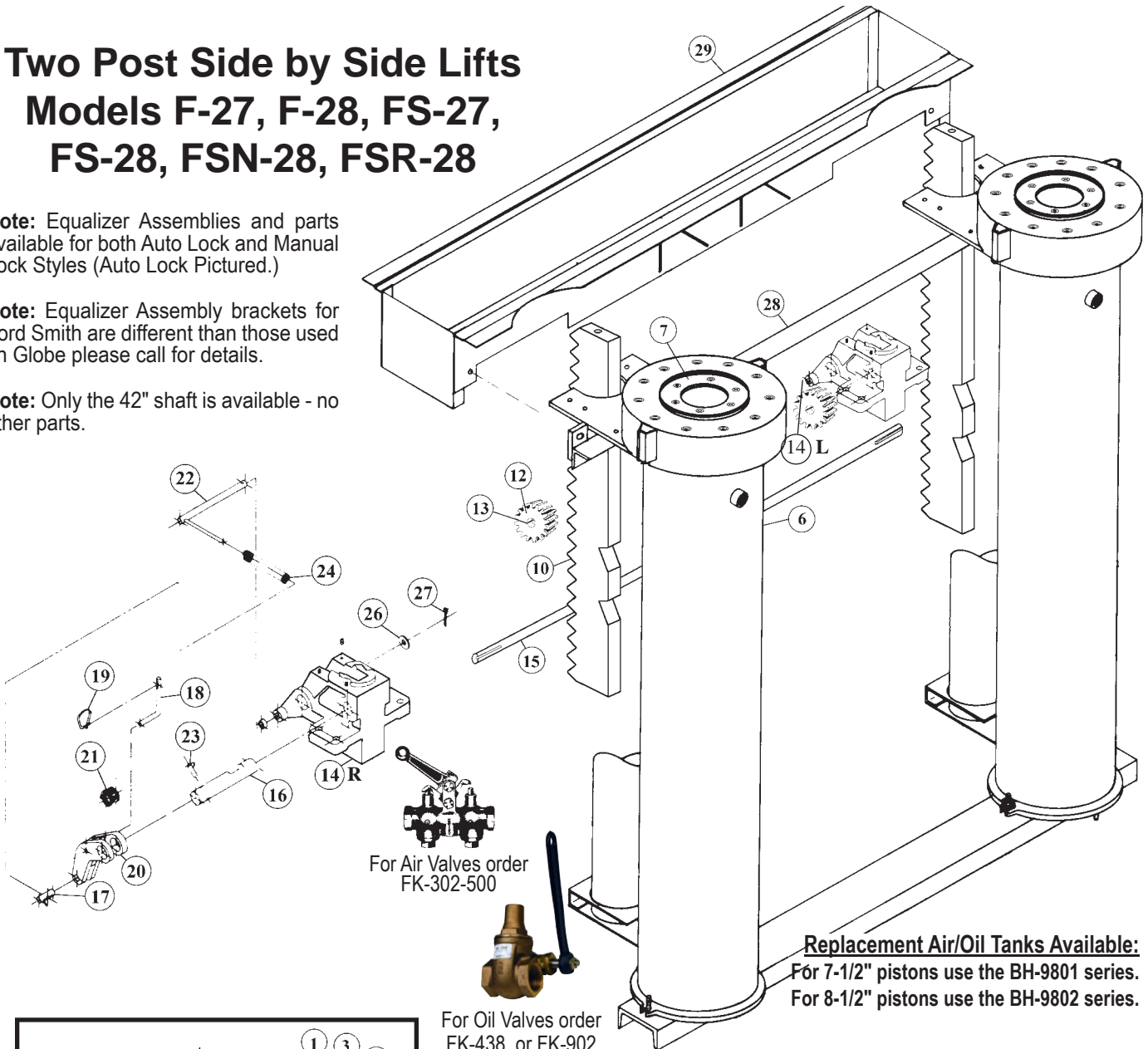


Two Post Side by Side Lifts Models F-27, F-28, FS-27, FS-28, FSN-28, FSR-28

Note: Equalizer Assemblies and parts available for both Auto Lock and Manual Lock Styles (Auto Lock Pictured.)

Note: Equalizer Assembly brackets for Ford Smith are different than those used on Globe please call for details.

Note: Only the 42" shaft is available - no other parts.

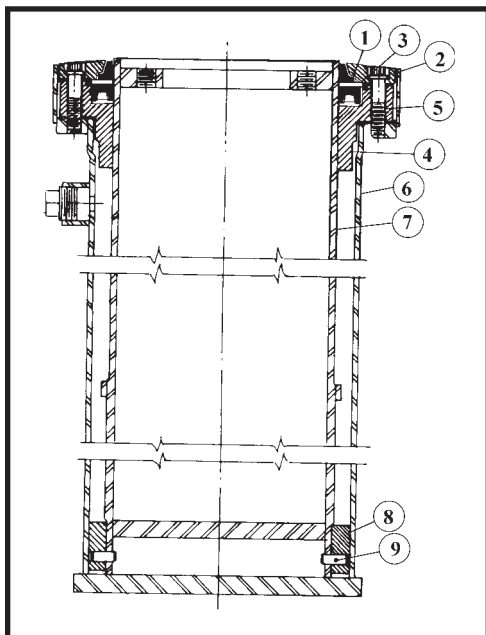


For Air Valves order
FK-302-500



For Oil Valves order
FK-438, or FK-902

Replacement Air/Oil Tanks Available:
For 7-1/2" pistons use the BH-9801 series.
For 8-1/2" pistons use the BH-9802 series.



Item	SVI Part #	OEM #	Qty	Description
1	BH-1782XU	UW-81	1	Lift Packing Kit *
	BH-1782SP	UW-81	1	Spring Style Lift Packing Kit *
2	BH-9412-90	B-37440	1	Wiper Seal Cover (Gland)
3	BH-9412-91	B-37447	1	Holder Ring
4	BH-9412-92	B-37441	1	Upper Guide Bearing
	BH-9412-92TK			8-1/2" DUSL Style Upper Bearing Kit
5	F-SC-0625-11-2750	438XG22	12	Capscrew

* Lift Packing Kits contain seal, wiper, spring (SP kits only), plus all necessary gaskets. Please see pages 2 - 6 for identification information.



Left Locking Bracket
OEM Style
BH-9413-01L
(Ref 42854)



Right Locking Bracket
OEM Style
BH-9413-01R
(Ref 42840)

Also see BH-9400K / BH-9401 Series for SVI Upgrade Version!



Two Post Side by Side Lifts Models F-27, F-28, FS-27, FS-28, FSN-28, FSR-28

Item	SVI #	OEM #	Req.	Descriptions
6	BH-9412-93	B-42976	2	Casing Assembly
7	BH-9412-94	B-37442-13	2	Plunger Assembly
8	BH-9412-95	B-41584	2	Lower Guide Bearing
9	BH-9420-03	359xM1250	2	Spring Pin
10	BH-9409	B42850-1	2	Auto-Lock Rack Bar
	BH-9410 ++	B-39818	2	Manual Lock Rack Bar
12	BH-9411	B-39999	2	Pinion Gear
13	BH-9411-01	B-39089	2	Key 3/8" x 1"
14 L	BH-9413-01L	C-42854	1	Left Hand Auto-Lock Housing
14 R	BH-9413-01R	C-42840	1	Right Hand Auto-Lock Housing
---	BH-9413-01K			Repair Kit for Auto Lock Eq.
14	BH-9412-01 **	C-41384	2	Manual Lock Cast Iron Housing
15	<i>Also see next page for SVI MPAL Upgrade Kits</i>			
	BH-9412-02	B-33207-7	1	Shaft for 26-1/2" piston centers
	BH-9412-02L		1	Auto Lock Shaft 26-1/2" centers
	BH-9412-03	B-33207-1	1	Shaft for 29-1/2" piston centers
	BH-9412-03L	B-42851-4	1	Auto Lock Shaft 29-1/2" centers
	BH-9412-04	B-33207-4	1	Shaft for 36" piston centers
	BH-9412-04L	B-432851	1	Auto Lock shaft for 36" centers
	BH-9412-05	B-33207-2	1	Shaft for 39" piston centers
	BH-9412-05L		1	Auto Lock shaft for 39" centers
	BH-9412-06	B-33207-3	1	Shaft for 42" piston centers
	BH-9412-06L		1	Auto Lock shaft for 42" centers
	BH-9412-07	B-33207-5	1	Shaft for 46" piston centers
	BH-9412-07L		1	Auto Lock shaft for 46" centers
	BH-9412-08		1	Shaft for 57-1/2" piston centers
	BH-9412-08L	B-42851-2	1	Auto Lock shaft 57-1/2" centers
	BH-9412-09	B33207-6	1	Shaft for 83-1/2" piston centers
	BH-9412-09L	B-42851-1	1	Auto Lock shaft - 83-1/2" centers
	BH-9412-10	B-42851-3	1	Shaft for all 88" piston centers
13-	BH-9412-26 to			Manual Lock Equalizer Ass'y.
15	BH-9412-88			Does not include rack and gears
	<i>Also see next page for SVI MPAL Upgrade Kits</i>			
10-	BH-9412-26C to	S-001743 to		Complete manual lock Equalizer
15	BH-9412-88C	S-003560		Assy. includes racks and gears
	<i>Also see next page for SVI MPAL Upgrade Kits</i>			
13-	BH-9412-26L to		1	Auto Lock Equalizer Assembly
15	BH-9412-88L			Does not include racks and gears
	<i>Also see next page for SVI MPAL Upgrade Kits</i>			
10-	BH-9412-26LC to	S-003769 to	1	Complete Auto Lock Equalizer
15	BH-9412-88LC	S-003822		Assy. includes racks and gears
	<i>Also see next page for SVI MPAL Upgrade Kits</i>			

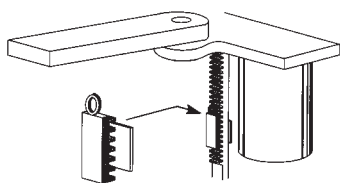
++ Manual Lock Rack Bars not pictured.

** Manual Lock Brackets not pictured. Use with BH-9410 rack bars which have two holes instead of two notches.

Item	SVI #	OEM #	Req.	Descriptions
16	BH-9413-01	A-42838	2	Auto Eq. Lock Shaft
17	BH-9413-02	A-42845	2	Auto Eq. Pin
18	BH-9413-03	A-42843	2	Auto Eq. Push Rod
19	BH-9413-04	A-42844	2	Auto Eq. Lift Ring
20	BH-9413-05	C-42837	2	Auto Eq. Lock Lever
21	BH-9413-06	A-42847	2	Auto Eq. Torsion Spring
22	BH-9413-07	A-42839	2	Auto Eq. Spring Arm
23	BH-9413-08	916015	2	Groove Pin
24	BH-9413-09	A-42846	2	Compression Spring
26	F-FW-0375-1000	642X10	2	Washer
27	F-CP-125-1000	360XC8	2	Cotter Pin
28	BH-9414-29	B-43409-4	1	Spacer Angle for 29-1/2" centers
	BH-9414-57	B-43409-2	1	Spacer Angle for 57-1/2" centers
	BH-9414-88	B-43409-3	1	Spacer Angle for 88" centers
29	BH-9415-29	B-42984-4	1	Pitform & Cover 29-1/2" centers
	BH-9413-67	43412-001	1	Pitform Cover 57-1/2" centers
	BH-9413-68	42983-002	1	Pitform 57-1/2" centers
	BH-9415-90	43412-002	1	Pitform Cover 88" centers
	BH-9415-89	42983-005	1	Pitform 88" centers
30	BH-9414-01	C-43288	2	Bolster Assy (FSN-28, FS-28)
31	BH-9414-02	C-43625	2	Bolster Assy (FSR-28)
32	BH-9420-23	B-32101-2	4	Wear Washer
33	BH-9420-22	B-42936	4	Arm Assembly
34	F-TC-0625-11-1750	426XG-N14	4	Locking Cap Screw
35	BH-9420	A-40689	4	Spacer
36	BH-9420-09	C-34354	4	Sleeve and Adapter Ass'y.
--	BH-9420-29			Rubber Pad Adapter
37	BH-9420-11	C-34355	4	Lifting Pad only
38	F-SC-0750-10-2000	438XH-16	8	Socket Head Cap Screw
39	F-LC-0625-11-1750	426XG-N14	6	Locking Cap Screw
40	BH-9420-10	412XH-008	4	Arm Stop Pin for Sleeve black
	BH-9420-10B		4	Arm Stop Pin for Sleeve silver
---	BH-9470-68			Arm Rest. for 89" Plunger Centers

Page 18

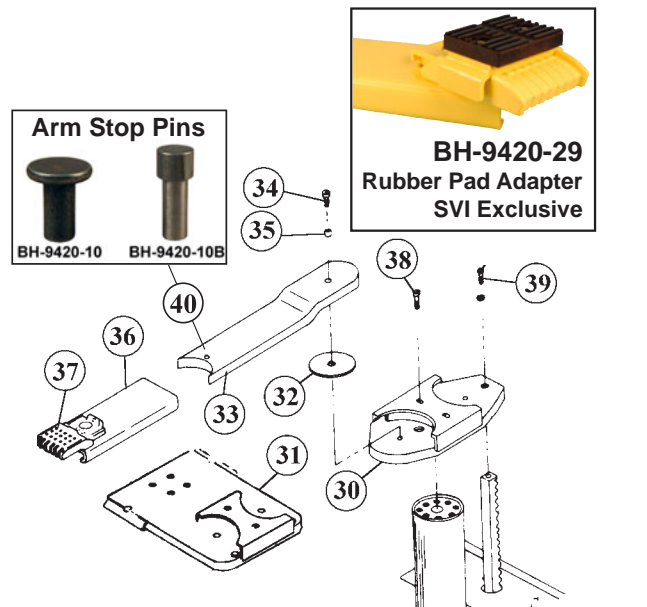
Manual Style Rack Bar Locks



Order: BH-9410ML

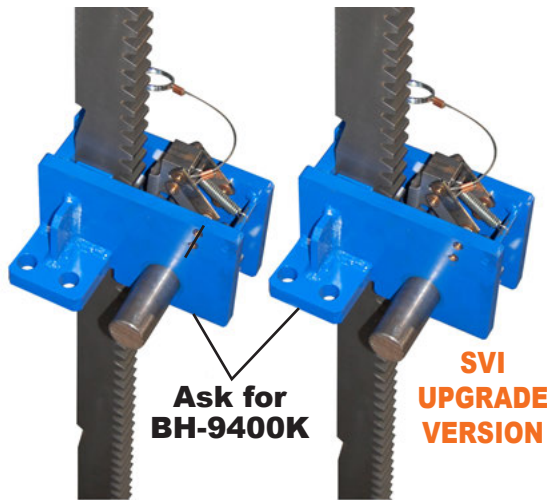
Fits Rack Bars:
BH-9409 & BH-9410

**For All Globe
Side-by-Side Lifts**





Two Post Side by Side Lifts Models F-27, F-28, FS-27, FS-28, FSN-28, FSR-28



Ask for
BH-9400K

**SVI
UPGRADE
VERSION**

**BH-9400K • MPAL Upgrade Kit
for ALL Globe Side-by-Side Lifts
for FS-28 / FSR-28**

**For Globe/Wayne
FS-28 and FSR-28 Models**
◀ **Exceed the Standard,
Lock it Everywhere!**

SVI, the most innovative OEM in the automotive lift industry engineered and originally introduced this product in February 2014. Since its introduction, many side-by-side Globe/Wayne FS/FSR-28 models have been upgraded, but not enough. SVI needs distributors to spread the word and get these lifts upgraded.

Every owner/operator of a Globe/Wayne side-by-side in-ground lift, whether it was made last year or decades ago, should immediately upgrade their lift to not only meet, but totally exceed the current ANSI/ALI Standard. This automatic locking equalizer bracket locks in EVERY POSITION throughout the stroke of the lift. The current standard calls for a lock position every six inches. SVI's design dream team and engineers came up with an excellent product solution for SVI distributors and the owners of Globe/Wayne Lifts. This means every side-by-side Globe/Wayne lift can easily conform to OSHA inspector scrutiny with SVI's Exclusive MPAL automatic locking system.



OEM STYLE

This is a definite must-have item for owner/operators of all Globe/Wayne Lifts and installation is simple. The existing shaft, pinion gears, keys and rack bars can all be reused. The BH-9400K auto-locking bracket kit is universal and can be installed on all Globe side-by-side lifts. Operation is simple; the lift operator pulls up on the release when it is time to lower the lift. Once the lift is lowered, the lock mechanism is reset automatically for the next lifting cycle. The lock pawl is always in the ready position and immediately engages the instant the lift begins to descend, stopping downward travel.

There are thousands of these lifts in service across the country and every owner of these lifts needs to be made aware of this product. Contact your customers today.

SVI is your Answer!

ANSI Lift Standard Exceeded

SVI Part #	Ref #	Description
BH-9400K		MPAL Upgrade Kit for FS-28 / FSR-28 and ALL Globe Side-by-Side Lifts
SVI Upgrade Equalizer Assemblies MPAL:		
BH-9401-26L		26.5" Equalizer Assembly MPAuto Lock
BH-9401-26LC		26.5" Equalizer Assembly MPAL COMPLETE with Racks and Gears
BH-9401-29L		29.5" Equalizer Assembly MPAuto Lock
BH-9401-29LC	3821	29.5" Equalizer Assembly MPAL COMPLETE with Racks and Gears
BH-9401-36L		36" Equalizer Assembly MPAuto Lock
BH-9401-36LC	3772	36" Equalizer Assembly MPAL COMPLETE with Racks and Gears
BH-9401-39L		39" Equalizer Assembly MPAuto Lock
BH-9401-39LC		39" Equalizer Assembly MPAL COMPLETE with Racks and Gears
BH-9401-42L		42" Equalizer Assembly MPAuto Lock
BH-9401-42LC		42" Equalizer Assembly MPAL COMPLETE with Racks and Gears
BH-9401-46L		46" Equalizer Assembly MPAuto Lock
BH-9401-46LC		46" Equalizer Assembly MPAL COMPLETE with Racks and Gears
BH-9401-57L		57.5" Equalizer Assembly MPAuto Lock
BH-9401-57LC	3774 & 3771	57.5" Equalizer Assembly MPAL COMPLETE with Racks and Gears
BH-9401-83L		83.5" Equalizer Assembly MPAuto Lock
BH-9401-83LC	3770	83.5" Equalizer Assembly MPAL COMPLETE with Racks and Gears
BH-9401-88L		88" Equalizer Assembly MPAuto Lock
BH-9401-88LC		88" Equalizer Assembly MPAL COMPLETE with Racks and Gears

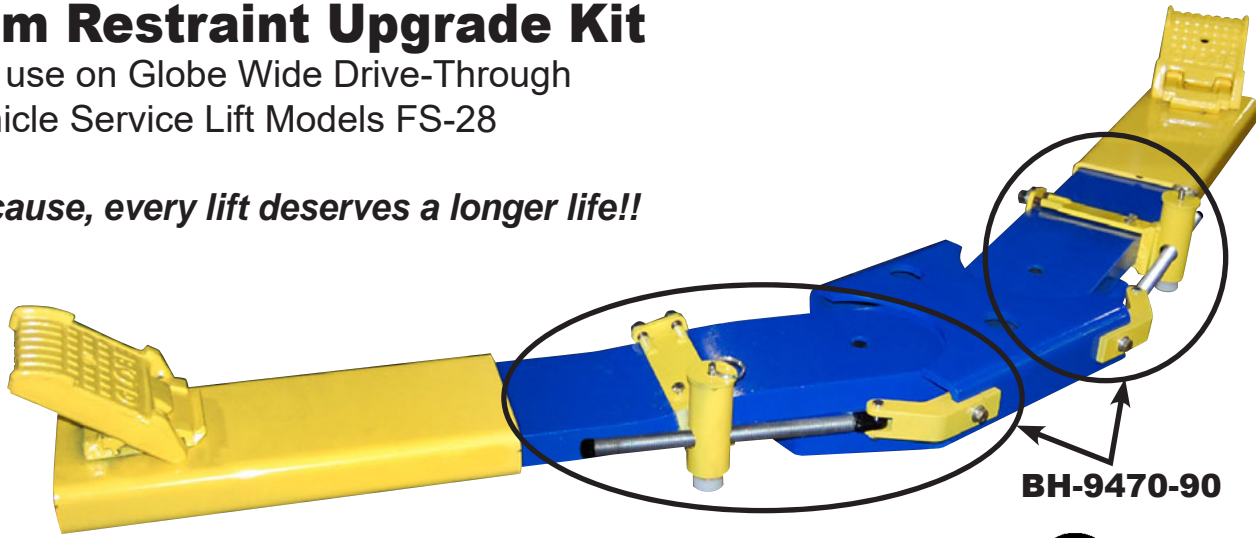


SVI # BH-9470-90

Arm Restraint Upgrade Kit

For use on Globe Wide Drive-Through Vehicle Service Lift Models FS-28

Because, every lift deserves a longer life!!



For: **GLOBE**

An SVI Brand Product Line

**Need this solution for another make?
Just ask! 800-321-8173**

This **SVI-exclusive** kit provides FS-28 lift owners with an easy ability to quickly upgrade their lifts to meet the design/construction criteria of current standards requiring automatically engaging arm restraints on side-by-side lifts utilizing two superstructures that are greater than 51 inches apart. Arm restraints are defined as a mechanism that holds the pivotal position of a superstructure swing arm once the swing arm and vehicle engaging swing arm lifting adapter have been set in position for proper contact of the vehicle manufacturers recommended lifting points prior to formal contact with the vehicle. The arm restraints contained in the SVI BH-9470-90 kit were designed and tested to hold a minimum side load of 150 lbs. each in the plane of the swing arms normal pivoting position with the sleeve and adapter assembly extended to its fullest possible adjusted length. SVI engineering tested the arm restraints' ability to withstand the minimum 150 lb. side load in both outward and inward pivoting directions. During the test, there was no improper function or any visible or measurable deformation in the material used in the design and construction of this SVI exclusive arm restraint kit.

The kit installs easily in the field in two hours or less and requires the drilling of four (4) 25/64" through holes, two (2) in each opposing superstructure. These arm restraints meet or exceed the ANSI standard and will satisfy OSHA and other Health and Safety officials, as well as those who may engage in routine lift inspections. All the parts in this kit are conveniently available individually so that once installed this arm restraint system can be easily maintained to be kept in 100% proper operating condition. In addition, optional length wear spacer caps for the lock plunger are available to accommodate the proper release of each arm restraint once the lift is lowered regardless of varying slopped concrete surfaces.

The kit installs easily in the field in two hours or less and requires the drilling of four (4) 25/64" through holes, two (2) in each opposing superstructure. These arm restraints meet or exceed the ANSI standard and will satisfy OSHA and other Health and Safety officials, as well as those who may engage in routine lift inspections. All the parts in this kit are conveniently available individually so that once installed this arm restraint system can be easily maintained to be kept in 100% proper operating condition. In addition, optional length wear spacer caps for the lock plunger are available to accommodate the proper release of each arm restraint once the lift is lowered regardless of varying slopped concrete surfaces.

For all your lift repair parts needs and SVI exclusive innovative product solutions— VI is your Answer!

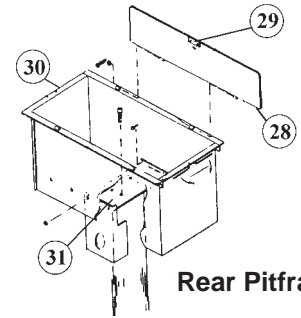
SVI Part #	Description
BH-9470-90	FS-28 Auto Lock Arm Restraint Kit
BH-9470-91	Bolster Bracket
BH-9470-92	Lock Bracket LR/RF
BH-9470-93	Lock Bracket RR/LF
BH-9470-94	Arm Restraint Bar
BH-9470-95	Arm Restraint Plunger
BH-9470-96	Wear Insert
BH-9470-97	Lock Bracket Plate

SERVICE • VALUE • INNOVATION

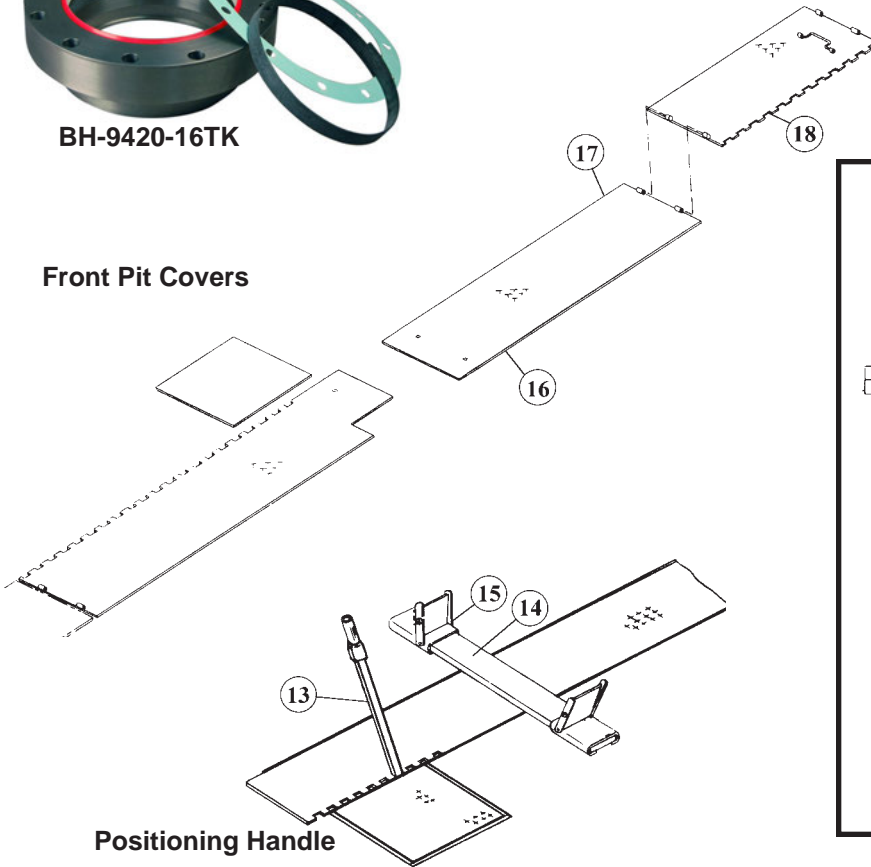
Twin Post Fore and Aft Lifts with 8-1/2" Front Moveable Piston and 8-1/2" or 10-5/8" Rear Piston Models: MP-28A & E, MP-810A & E



BH-9420-16TK

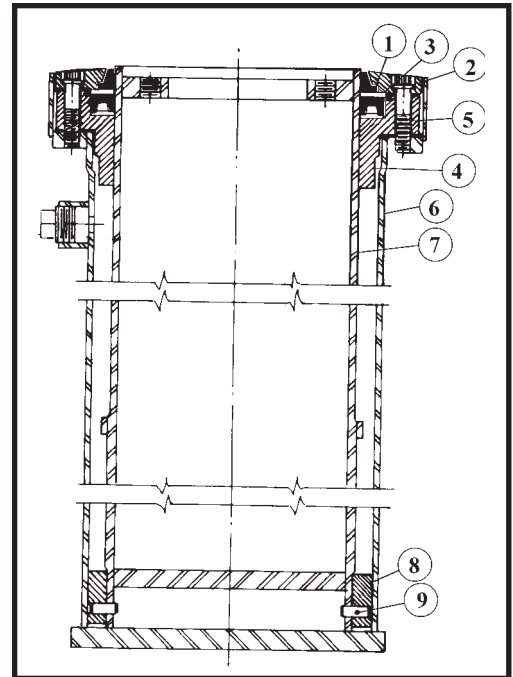


Rear Pitframe

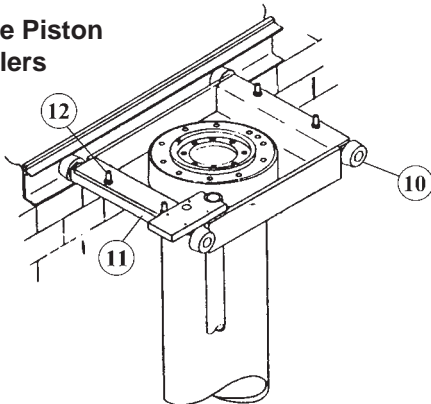


Front Pit Covers

Positioning Handle



Moveable Piston Axle Rollers



Replacement Air/Oil Tanks Available:

For 8-1/2" pistons use the BH-9802 series.

For 10-5/8" piston use the BH-9805 series.

Item	SVI #	OEM #	Req.	Description
1	BH-1782XU	UW81	1-2	8-1/2" Lift Packing Kit *
	BH-1782SP	UW81	1-2	Spring Style Lift Pkg. Kit *
	BH-1798XU	UW102	1	10-5/8" Lift Packing Kit *
	BH-1798SP	UW102	1	Spring Style Lift Pkg. Kit *
2	BH-9412-90	B-37440	1-2	8-1/2" Wiper Seal Cover
	BH-9420-15	B-35054	1	10-5/8" Wiper Seal Cover
3	BH-9412-91	B-37447	1-2	8-1/2" Holder Ring
	BH-9420-14	B-35056	1	10-5/8" Holder Ring
4	BH-9412-92	B-37441	1-2	8-1/2" Upper Guide Bearing
	BH-9412-92TK			8-1/2" DUSL Style Upper Bearing Kit
	BH-9420-16	B-35055	1	10-5/8" Upper Guide Bearing
	BH-9420-16TK			10-5/8" DUSL Style Upper Bearing Kit
5	F-SC-0625-11-2750	438XG22	24	Capscrew

* Lift Packing kit contains seal, wiper, spring (SP kits only), plus all necessary gaskets. Please see pages 2 - 6 for identification information.

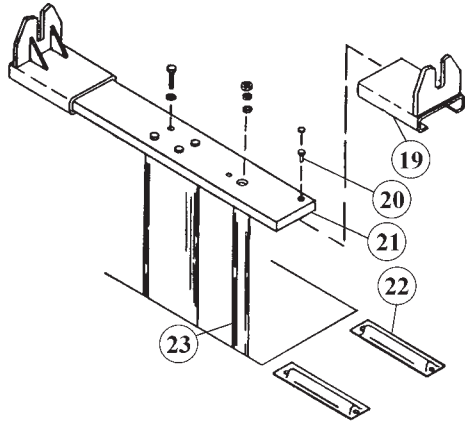
Parts list continues on the next page... 21



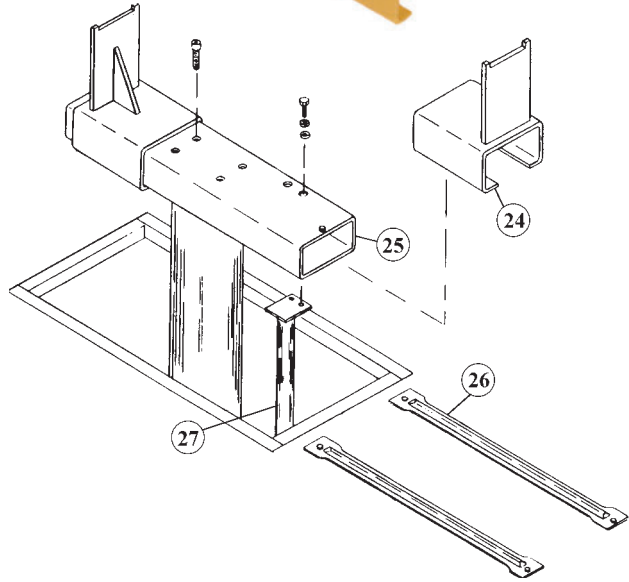
**Twin Post Fore and Aft Lifts
with 8-1/2" Front Moveable Piston
and 8-1/2" or 10-5/8" Rear Piston
Models: MP-28A & E, MP-810A & E**



**Optional:
BH-9431-34
Candy Dish
Adapter
Available**



Superstructure Attachment Rear MP-28



Superstructure Attachment Rear MP-810

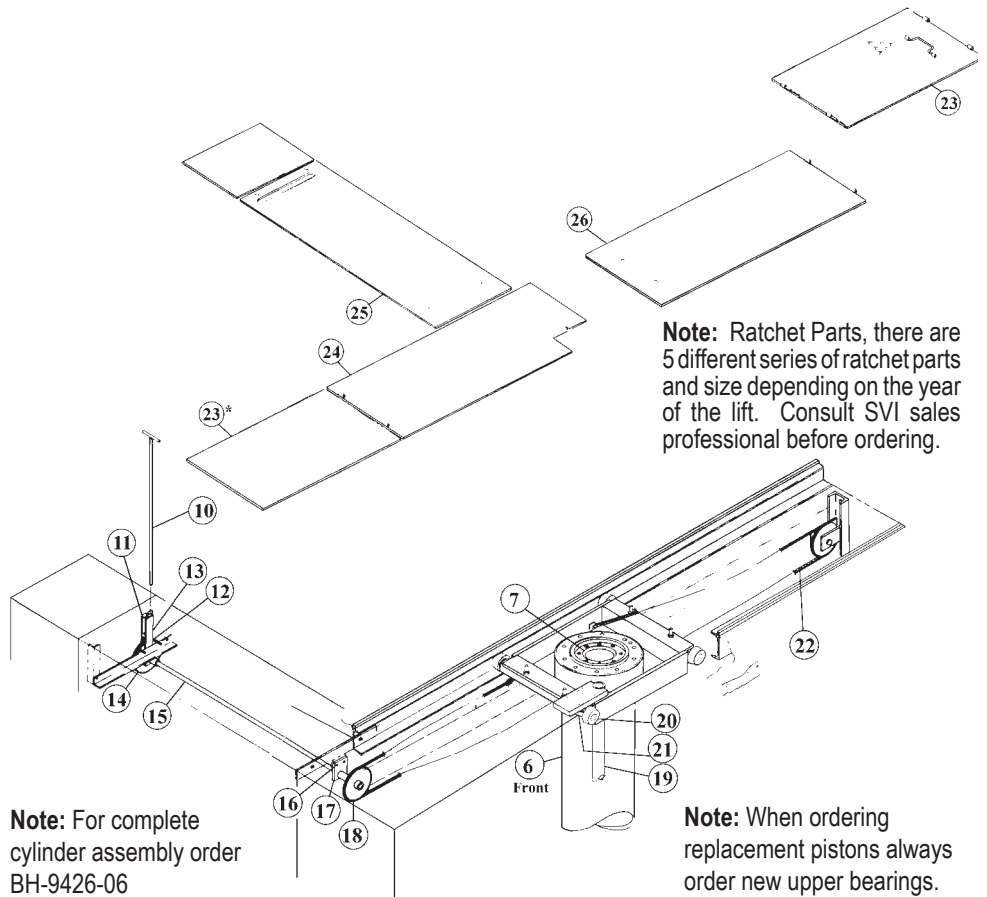
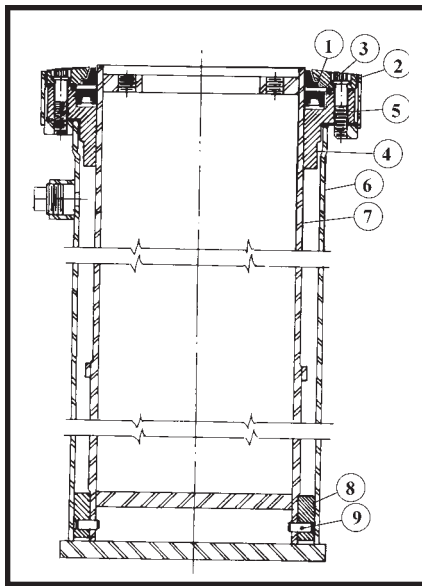
Item SVI #	OEM #	Req.	Description
6	BH-9431-01	B-43744	1 8-1/2" Front Casing Ass'y
	BH-9431-02	B-42577-4	1 8-1/2" Rear Casing Ass'y
	BH-9426-02	B-35573-6	1 10-5/8" Rear Casing Ass'y
7	BH-9431-03	B-37442-13	1 8-1/2" Front Plunger Ass'y
	BH-9431-04	B-37442-14	1 8-1/2" Rear Plunger Ass'y
	BH-9426-05	B-35570-22	1 10-5/8" Rear Plunger Assy
8	BH-9412-95	B-41584	1-2 8-1/2" Lower Guide Bearing
	BH-9420-08	B-41569	1 10-5/8" Lower Guide Bearing
9	BH-9420-03	359XM1250	2 Spring Pin
10	BH-9425-27	A-42587	4 Axle Roller Wheel
11	BH-9425-26	B-43535	2 17-1/4" Axle Rod
	BH-9425-25	B-42588	2 19" Axle Rod
12	BH-9431-13	A-43312	4 Attaching Hardware
13	BH-9431-14	B-42687	1 Ratchet Positioning Handle
14	BH-9431-25	B-43737	1 Front/Rear Bolster
15	BH-9431-16	C-43114	2 Front Adapter
16	BH-9431-20	B-43730	1 Sliding Cover Plate (Notched)
17	BH-9431-21	B-43731	1 Sliding Cover Plate (rear)
18	BH-9431-22	B-43733	1 Detachable Cover Plate

Item SVI #	OEM #	Req.	Description
19	BH-9431-23	B-43199	2 Rear Adapter (8-1/2" piston)
20	BH-9431-24	413XH008	2 Stop Pin
21	BH-9431-25	B-43737	1 Rear Bolster (8-1/2" piston)
22	BH-9431-26	B-43182	2 Wheel Stop (8-1/2" piston)
23	BH-9431-27	C-43860-1	1 Auto Lock Plunger (rear)
	BH-9431-28	C-43860	1 Auto Lock Plunger (front)
24	BH-9428-04	B-43580	2 Rear Adapter (10-5/8" piston)
25	BH-9428-03	B-43686	1 Rear Saddle (10-5/8" piston)
26	BH-9428-05	B-43182-1	1 Wheel Stop (10-5/8" piston)
27	BH-GL-70P	B-43720-1	1 Auto Lock Plunger (10-5/8")
	BH-9428-16	B-43648	1 Auto Lock Casing (10-5/8")
28	BH-9431-30	B-43739	2 8-1/2" Cover Door (please call)
	BH-9427-18	B-43617	2 10-5/8" Cover (please call)
29	BH-9427-14	A-33114-1	2 Striker Block
30	BH-9431-31	C-43740	1 8-1/2" Pitframe Assembly (28-31)
	BH-9427-19	43620	1 10-5/8" Pitframe Assembly
31	BH-9431-32	B-43373	1 8-1/2" Bottom Sheet
	BH-9427-17	B-43244	1 10-5/8" Bottom Sheet

P
a
g
e



Twin and Multi Post Fore and Aft Lifts with 10-5/8" Pistons. Models: MP-210A&E, SHMP-210A&E, SHMP-310A&E, MP-310EDR



Note: Ratchet Parts, there are 5 different series of ratchet parts and size depending on the year of the lift. Consult SVI sales professional before ordering.

Note: For complete cylinder assembly order BH-9426-06

Note: When ordering replacement pistons always order new upper bearings.

Item	SVI #	OEM #	Req	Description
1	BH-1798XU	UW102	2	Lift Packing Kit *
	BH-1798SP	UW102	2	Spring Style Lift Packing Kit *
2	BH-9420-15	B-35054	2	Wiper Seal Cover (Gland)
3	BH-9420-14	B-35056	2	Holder Ring
4	BH-9420-16	B-35055	2	Upper Guide Bearing
	BH-9420-16TK			10-5/8" DUSL Style Upper Bearing Kit
5	F-SC-0625-11-2750	438XG22	12	Capscrew
6	BH-9426-01	B-43707	1	Front Casing Assembly
	BH-9426-02	B-35573-6	1	Rear Casing Assembly
7	BH-9426-03	B-35570-14	1	Front Piston
	BH-9426-03	B-35570-14	1	Rear Piston SHMP-210,310
	BH-9426-05	B-35570-22	1	Rear Piston (All others)
8	BH-9420-08	B-41569	2	Lower Guide Bearing
9	BH-9420-03	359XM1250	2	Spring Pin
10	BH-9425-10	A-43359	1	Ratchet Handle see note
11	BH-9425-01		1	Ratchet Lever see note
12	BH-9425-02		1	Ratchet Dog see note

* Lift Packing kit contains seal, wiper, spring (SP kits only), plus all necessary gaskets. Please see pages 2 - 6 for identification information.

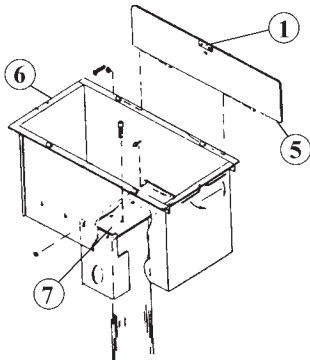
Item	SVI #	OEM #	Req	Description
13	BH-9425-03		1	Ratchet Dog Shaft see note
14	BH-9425-04		1	Ratchet Wheel see note
15	BH-9425-05		1	Ratchet Shaft (48") see note
16	BH-9425-06		1	Ratchet Hanger see note
17	BH-9425-07		1	Ratchet Hanger see note
18	BH-9425-08	B-43622	2	Ratchet Sprocket see note
11-18	BH-9425	C-43660	1	Ratchet Rebuild Kit see note
19	BH-GL-60	C-43720	1	Front Safety Leg
	BH-GL-70	C-43720-1	1	Rear Safety Leg
20-21	BH-9427		2	Axle Assembly
20	BH-9427-01	B-42750	4	Roller Wheel Assembly
21	BH-9427-02	A-42749	2	Roller Wheel Axle
22	BH-9425-09	A-43591	1	1" Pitch Roller Chain 12' pit
23	BH-9427-10	B-43611	1	Detachable Cover (* Optional)
24	BH-9427-11	B-43609	1	Sliding Cover (notched)
25	BH-9427-12	B-43653	1	Ratchet Pit Cover
26	BH-9427-13	B-43609-1	1	Sliding Cover

Additional:

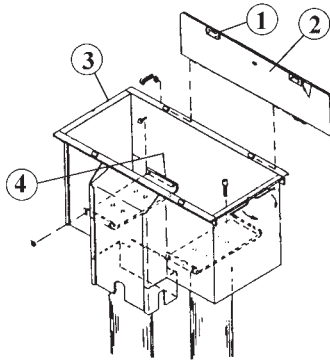
--	BH-9432-01			Air Cylinder for Latch
----	------------	--	--	------------------------



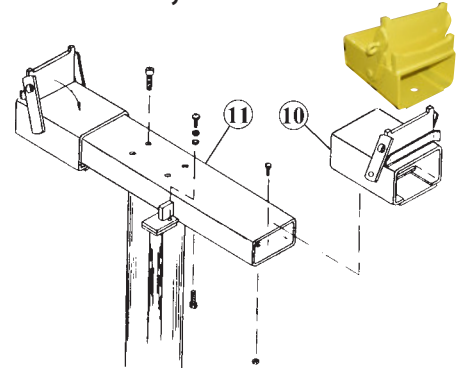
Twin and Multi Post Fore and Aft Lifts with 10-5/8" Pistons. Models: MP-210A&E, SHMP-210A&E, SHMP-310A&E, MP-310EDR



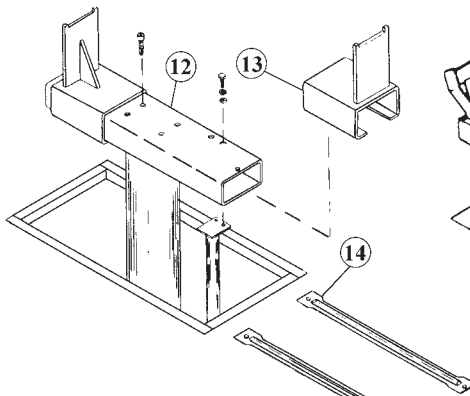
MP-210 Rear Pitframe



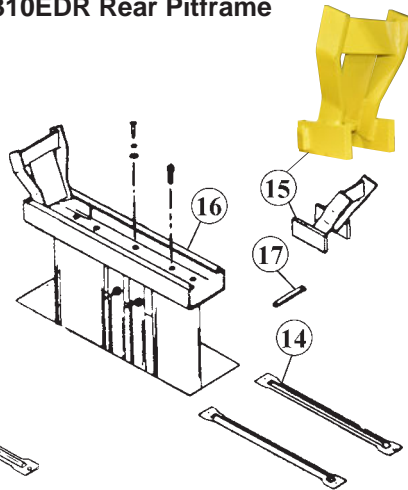
MP-310EDR Rear Pitframe



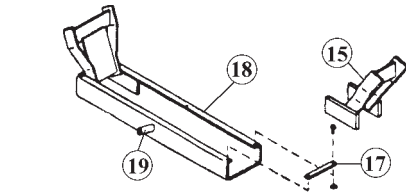
Superstructure
for 10-5/8" Front Piston



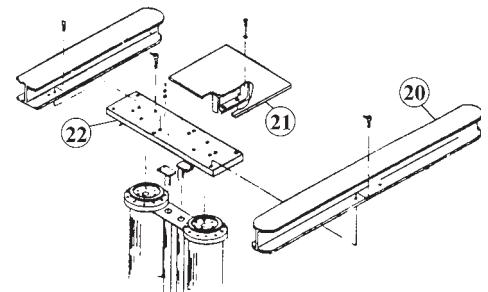
MP-210A & E Rear
Superstructure Attachment



MP-310EDR Rear Superstructure
Attachment



SHMP-210A & E, SHMP-310E Rear
Superstructure Attachment



SHMP-210A & E, SHMP-310E Rear
Superstructure Attachment

Item	SVI #	OEM #	Req	Description
1	BH-9427-14	A-33114-1	2	Striker Block
2	BH-9427-15	B-43617-1	1	Cover Only - Call for details
3	BH-9427-16	C-43620-1	1	Pitframe Assy (Incl. 1-4)
4	BH-9427-17	B-43244	1	Bottom Sheet-Call for details
5	BH-9427-18	B-43617	1	Cover Only-Call for details
6	BH-9427-19	C-43620	1	Pitframe Assy (Incl. 1,5-7)
7	BH-9427-17	B-43244	1	Bottom Sheet-Call for details
10	BH-9428-01	B-43615	2	Adapter 4" Inside Height
	BH-9428-01A	B-43978	2	Adapter Low Profile
11	BH-9428-02	B-43685	1	Saddle 4" Tall x 44" L x 8" W
	BH-9428-02A	C-43979	1	Saddle Low Profile
12*	BH-9428-03	B-43686	1	Saddle

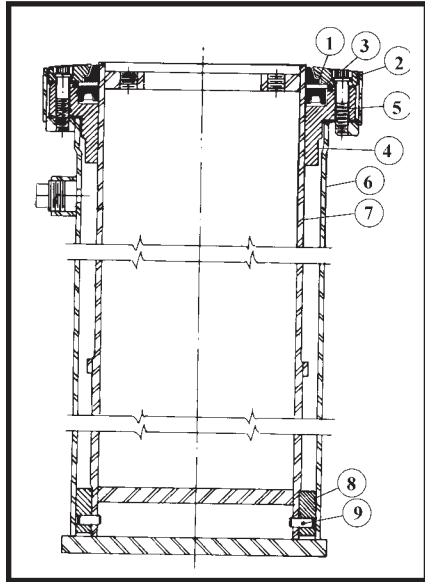
* F-TC-0875-09-2250 Screw to Attach Saddle to Cylinder

Item	SVI #	OEM #	Req	Description
13	BH-9428-04	B-43580	1	Adapter
14	BH-9428-05	B-43182-1	2	Wheel Stop
15	BH-9428-06	B-43383	2	Adapter Assembly
16	BH-9428-07	B-43714	1	Saddle
17	BH-9428-08	A-43384	2	Adapter Stops
18	BH-9428-09	B-43381	1	Rolling Saddle
19	BH-9428-10	A-43359	1	Ratchet Handle
20	BH-9428-11	B-42925	2	Rail
21	BH-9428-12	B-42923	1	Cover Assembly
22	BH-9428-13	C-43717	1	Bolster Plate (single cyl.)
	BH-9428-14	C-43716	1	Bolster Plate (tandem cyls.)

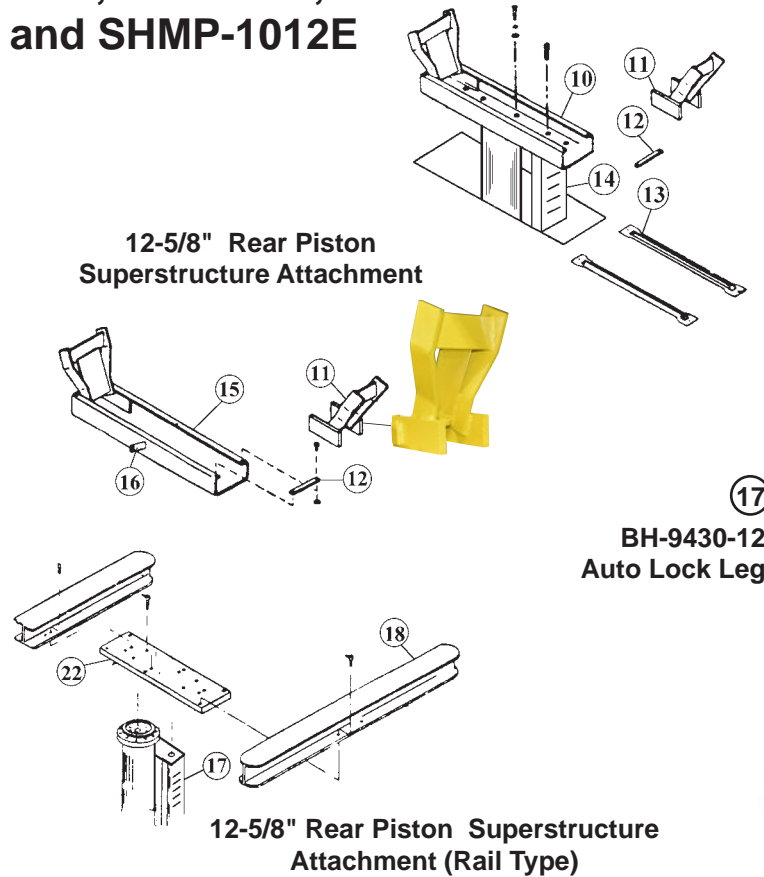


12-5/8" Fixed Piston for Truck and Bus Lifts

Model Numbers: SHRS-212E, D-SH-12E, MP-10-12-10E, MP-1012E, and SHMP-1012E



12-5/8" Rear Piston Superstructure Attachment



17
BH-9430-12
Auto Lock Leg

12-5/8" Rear Piston Superstructure Attachment (Rail Type)



Item SVI #	OEM #	Req.	Description
1	BH-1709X	UW121	2 Lift Packing Kit *
	BH-1709SP	UW121	2 Spring Style Lift Packing Kit *
2	BH-9430-01	B-43838-1	2 Wiper Seal Cover (Gland)
3	BH-9430-02	B-43838-2	2 Holder Ring
4	BH-9430-03	B-43838-3	2 Upper Guide Bearing
5	F-SC-0625-11-2750	438XG22	12 Capscrew
6	BH-9430-08	B-43838-8	1 Casing Ass'y (60" Stroke)
	BH-9430-09	B-43838-9	1 Casing Ass'y (70" Stroke)
7	BH-9430-06	B-43838-6	1 Piston Ass'y (60" Stroke)
	BH-9430-07	B-43838-7	1 Piston Ass'y (70" Stroke)
8	BH-9430-04	B-43838-4	2 Lower Guide Bearing
9	BH-9420-03	359XM1250	2 Spring Pin

Item SVI #	OEM #	Req.	Description
10	BH-9430-10	B-43378-1	1 Saddle
11	BH-9428-06	B-43383	2 Adapter Assembly
12	BH-9428-08	A-43384	2 Adapter Stop
13	BH-9428-05	B-43182-1	2 Wheel Stop
14	BH-9430-11	B-43831-70	1 Auto Lock Plunger
15	BH-9428-09	B-43381	1 Rolling Saddle
16	BH-9428-10	A-43359	1 Ratchet Handle
17	BH-9430-12	B-43831-60	1 Auto Lock Plunger
	BH-9430-13	B-43829	1 Auto Lock Casing
18	BH-9428-11	B-42925	2 Rail

For Pitframes, and cover plate information please see the MP-210 parts listing.

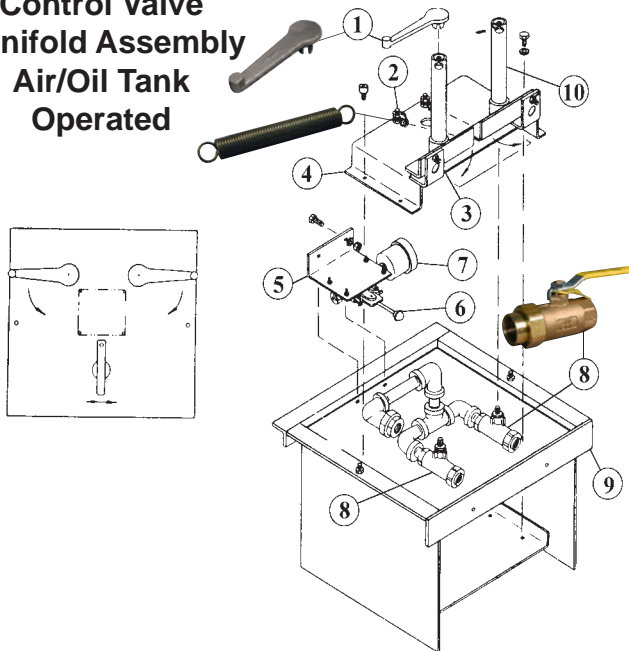
* Lift Packing kit contains seal, wiper, spring (SP kits only), plus all necessary gaskets. Please see pages 2- 6 for identification information.



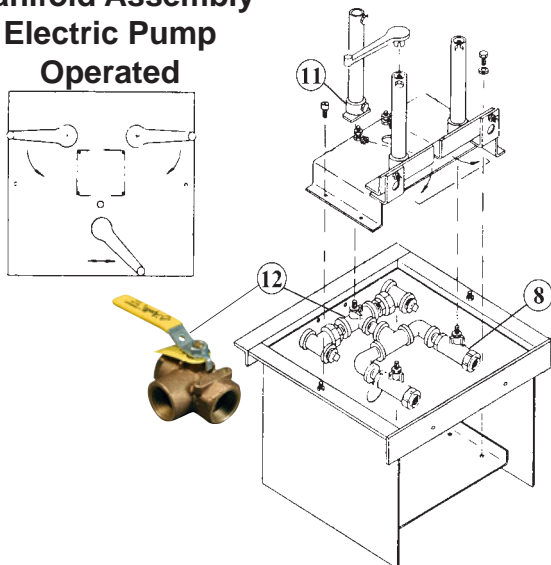
Control Valve Manifold Assemblies for Fore and Aft Lifts

Item	SVI #	OEM#	Req.	Description
1	BH-9440-01	B-41053	2	Valve Handle
2	BH-9440-02	916984	2	Return Spring
3	BH-9440-03	A-43813	2	Oil Valve Handle Assembly
4	BH-9440-04	B-43680	1	Valve Retainer Assembly
5	BH-9440-05	A-43763	1	Air Valve Assembly
6	BH-9750L	571X4L	1	Air Valve
7	BH-9640	A-30080	1	Muffler
8	BH-9440-08	601 X 8	2	1" Ball Valve
10	BH-9440-06	A-43812	2	Valve Extension
11	BH-9440-09	A-43814	1	3 Way Valve Handle Assembly
12	BH-9440-10	605 X 8	1	3 Way Ball Valve

Control Valve Manifold Assembly Air/Oil Tank Operated



Control Valve Manifold Assembly Electric Pump Operated



Air Valve Mufflers (1/2")



BH-9640
(Ref A-30080)
1/2" NPT Metal Muffler
(Weaver Style)



BH-9642
1/2" NPT
Aluminum Muffler

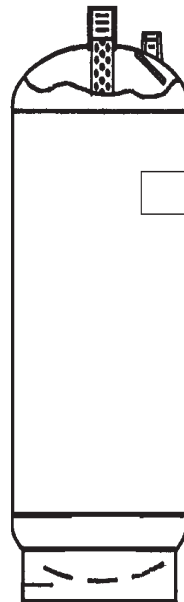


BH-9642-DF 1/2" Hoist Oil Defogger Muffler

Muffles the sound of air being exhausted from an in-ground auto lift and collects oil mist prior to it being discharged into the air. Once the oil mist is extracted and condensed into liquid it gravitates into the sump so it can be periodically drained off. This muffler will satisfy an OSHA inspector aware of the no oil mist policy in exhausted air. **Install with drain cock pointing down only.**

MEET OSHA

Air/Oil Tanks for Full Hydraulic Lifts



BH-9801-C For all Single Post or Twin 7-1/2" Posts

BH-9802-C For all Twin Post lifts with 8-1/2" Posts

BH-9804-C For Lifts with one 7-1/2" and one 10-5/8" post.

Fiberglass Coating is also available. Add an FG to the end of the tank part number to specify a fiberglass coated tank.

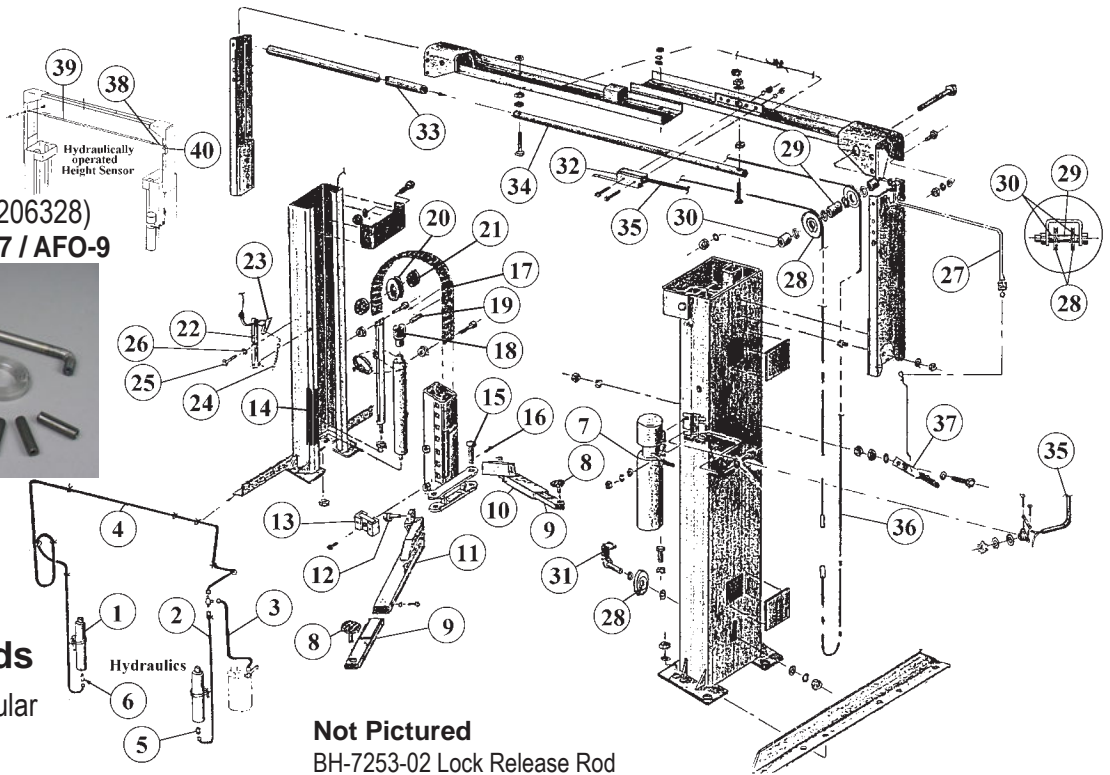
BH-9810 Low Oil Control Float
BH-9810-01 Hook for BH-9810

C=Complete with low oil control float, hook and fill plug/gauge.



Two Post Surface-Mount Lifts

For Models AFO-7, AFO-7A and AFO-7EH, AFO-9, AFO-9A and AFO-9EH



BH-7251-46 (Ref FS-206328)
Arm Lock Kit for AFO-7 / AFO-9



Rubber Arm Pads

- BH-7250-01** Rectangular
- BH-7250-02** Round
- BH-7250-03P** Square

Not Pictured

- BH-7253-02 Lock Release Rod
- BH-7253-01 Lock Release Pulley

Item	SVI #	OEM #	Req.	Description
1	BH-7250-37	FS-202797	2	Hydraulic Cylinder (AFO-7)
	BH-7250-39	FS-202872	2	Hydraulic Cylinder (AFO-9)
2	BH-7250-43	FS-13347	1	Cylinder Hose 1/4" x 112"
3	BH-7250-44	FS-13455	1	Pick Up Hose 3/8" x 62"
4	BH-7250-45	FS-13348	1	Crossbeam Hose for 12' High
	BH-7250-46	FS-13349	1	Crossbeam Hose for 13'6" High
5	BH-7250-47	FS-203973	1	Restrictor
6	BH-7250-48	FS-13276	1	Adapter
7	BH-7006-01-XX		1	Power Unit
8	BH-7250-03	FS-203556	1	Screw Adapter
9	BH-7250-20R or L		4	Inner Arm (specify Left or Right)
10	BH-7250-21R or L		1	Short Front Outer Arm L or R
11	BH-7250-22R or L		1	Long Rear Outer Arm L or R
12	BH-7251-23	FS-202979	4	Arm Lock Screw
13	BH-7250-25	FS-204786	8	Bearing Assembly
13A	BH-7251-30	FS-202749	8	Bearing Shoes (Specify Size)
14	BH-7251-13	FS-202775-18	2	Bumper Strip
15	BH-7251-08	FS-202626	4	Arm Pin
16	BH-7250-28	FS-11691	4	Spring Pin
17	BH-7030	FS-13167	?	Leaf Chain
18	BH-7251-18	FS-202884	2	Clevis (yoke)
19	BH-7251-10	FS-202637	2	Clevis Shaft

Item	SVI #	OEM #	Req.	Description
20	BH-7251-14	FS-202798	2	Chain Roller 4" x 1-3/8 Bore
21	BH-7250-51	FS-12074	6	Bearing
22	BH-7250-52	FS-203980	2	Latch Housing
23	BH-7250-53	FS-203314	2	Latch
24	BH-7250-54	FS-13329	2	Spring
25	F-HC-0625-11-1000	FS-13271	2	Hex Bolt
26	F-LW-0625	FS-10681	2	Lock Washer
27	BH-7250-55	FS-13106-240	2	Lock Release Cable
28	BH-7250-56	FS-203199	2	Sheave
	BH-7250-57	FS-12545	6	Sheave Bushing
29	BH-7250-58	FS-30474-3-1/4	2	Long Spacer
30	BH-7250-59	FS-30474-3/4	4	Short Spacer
31	BH-7250-60	FS-203355	2	Wire Rope Adjuster
32	BH-7250-61	FS-13280	1	Limit Switch
33	BH-7250-62	FS-13293-60	1	Hose
34	BH-7250-63	FS-203647	1	Sensor Bar
35	BH-7250-64	FS-13290-160	1	Elect. Cable
36	BH-7250-13	FS-013109	2	Equalizer Cable (12' Column)
	BH-7250-14	FS-013196	2	Equalizer Cable (13'6" Column)
37	BH-7250-67	FS-202946	1	Release Handle
38	BH-7250-68	FS-13106-276	1	Cable 23' x 3/32"
39	BH-7250-69	FS-13270-72	1	Hose
40	BH-7251-19	FS-202885	2	Guide Pulley Assembly



Cable Quick Reference for Globe and Ford Smith Lifts



CABLES FOR 2-POST LIFTS

Also see SVI's Cable Reference Book

Many standard and custom cables available!

Don't see your cable? Call today!

SVI Part #	Cross Ref #	O.A.L.	Dia.	Fits Lift Models
BH-7250-11	DG 5540800-00	26' 4-7/8"	3/8"	AFF-6071
BH-7250-12	DL 5540800-00	28' 4-7/8"	3/8"	AFF-7071
BH-7250-13	FS-013109	32' 10-1/4"	1/4"	AFO-7 & AFO-9 (12' Column)
BH-7250-14	FS-013196	36' 1-3/4"	1/4"	AFO-7 & AFO-9 (13' 6" Column)
BH-7250-15	FS-013269	28' 3"	1/4"	AFB-9 & AFB-7 with 4" Pulley
BH-7250-16	FS-013360	27' 3"	1/4"	
BH-7250-17	FS-013948	11' 10"		
BH-7250-18	FS-013950	26' 6"	3/8"	
BH-7250-19	FS-013954	31' 6"		
BH-7250-26		30' 4-1/2", 11' 4-1/2"	10mm	AFR-9067-1
BH-7250-68	FS-013106-276	33'	3/32"	
BH-7250-77	FS207229	32' 8"	1/4"	AG7
BH-7250-85	FS-013952			
BH-7250-86	FS-013953			
BH-7250-87	FS-013955			
BH-7250-91	-----	43' 1-1/2"	3/8"	Most AG15
BH-7251-48	FS-13949	200"	3/8"	12-20
BH-7251-49	FS-13951	375.75"	3/8"	12-20
BH-7255-56	45956-004	395"		GC-9 High Version
BH-7255-56A	45956-003	401"		
BH-7255-56B	45956-002	359"		GC-9
BH-7255-56C	45956-001	370.5"		GC-7
BH-7256-20				KL-09 & KL-10
BH-7256-29	66507			GV-09-OHN / GV-09-OHAN
BH-7256-32	66505	345"		GV-09-FPN
BH-7256-33	66506	358"		GV-09-FPW
BH-7256-35	66508			GV-09-OHW / GV-09-OHAW
BH-7256-47	66513	349"		GV-10-OHAN
BH-7256-48	66514	352"		GV-10-OHN / GV-10-OHAN <i>Lift uses (1) BH-7256-47 & (1) BH-7256-48</i> <i>Note: OHAN lift uses (1) BH-7256-47 and (1) BH-7256-48</i>
BH-7256-49	66515	362"		GV-10-OHAW <i>(lift uses 1 BH-7256-49 & 1 BH-7256-50)</i>
BH-7256-50	66516	366"		GV-10-OHAW <i>(lift uses 1 BH-7256-49 & 1 BH-7256-50)</i>



MANY MORE CABLES AVAILABLE

Also see SVI's Cable Reference Book

SVI Specializes in Standard and Custom Cables

For specially made cables or any cables that require clarification, fill out our Cable Worksheet.

SVI's here to help! Call 800-321-8173 • Fax: 800-899-1784

Miscellaneous Repair Parts for Surface-Mount Lifts



**Limit Switch Only
for GV-09**
BH-7256-34A



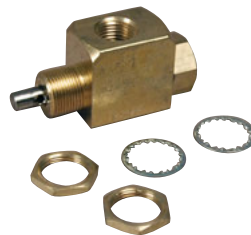
**Limit Switch
for GV-09**
BH-7256-34
(Ref 65027)



**Pulley and Bolt for
Safety Release Cable**
BH-7256-79
(Ref 66504-010)



**Arm Restraint
Gear Half Moon
for GV-10**
BH-7256-13



Air Valve ES Series
BH-7252-53 (Ref 917001)



**Leveling Valve
ES mode L Lift**
BH-7254-08 (Ref 511539)



CUSTOM ADAPTERS AVAILABLE!

Call for a quote!

Height Extensions, Adapters & Pads For Globe Lifts/Ford Smith

More Styles Available—Check out SVI's Height Extensions, Adapters and Pads Catalog!

FOR BENDPAK, DANNMAR, GLOBE (GV)

4-3/4" Square Bolt On Pad for BendPak

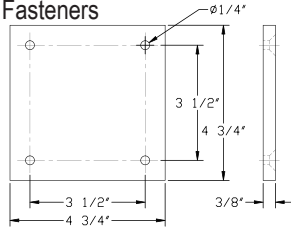
(Ref 5715017, 17108189)

BH-7256-20P (1) Individual Pad

BH-7256-20-KIT Kit of 4 Pads and Fasteners



4-3/4" x
4-3/4" Square



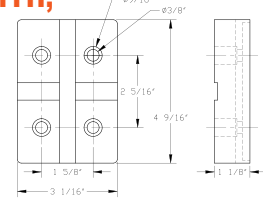
FOR GLOBE LIFTS, FORD SMITH, BENDPAK, AND BENWIL

Rectangle Rubber Insert Pad

(Ref DG 3032700 01, PMR-6131, 400106-5-2, 400106-5-13)

BH-7250-01

Individual Pad



1-1/8" Thick
4-9/16" x 3-1/8"

Note: This pad is molded around a steel insert for stay put attachment to the lift arm.

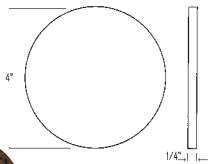
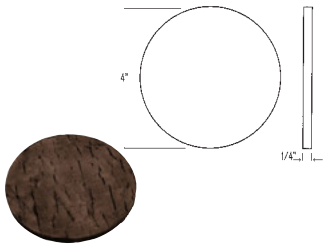
Hardware Not Included

FOR GLOBE / FORD SMITH

4" Round Adhesive-Style Pad

(Ref 203822, FS-203822)

BH-7250-02T 1 Pad



FOR GLOBE / FORD SMITH

Round Bolt-On Rubber Pad

(Ref 203047, FS-203047)

BH-7250-02 1 Pad

BH-7250-02-4 4 Pads

Pad Diameter:
4-17/32"
13/16" Thick
Thru Hole:
.390" Dia.



Hardware Not Included

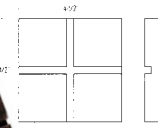
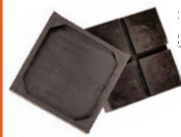
FOR GLOBE / FORD SMITH

Slip-Over Square Rubber Pad

(Ref 208512, FS-208512)

BH-7250-03P 1 Pad

4-1/2" x 4-1/2"
1" Thick



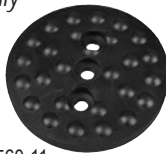
FOR POWERREX, COMPLETE HYDRAULICS, GLOBE

4-11/16" Diameter Pad (Ref SL3, SL4)

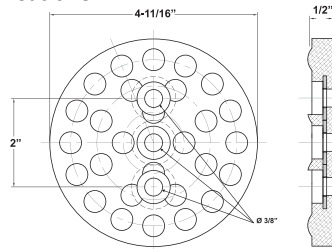
This Universal Pad has 3 Holes because is used for both 1-Hole and 2-Hole Applications

BH-7560-04 1 Pad

Sold Individually



Previously BH-7560-11



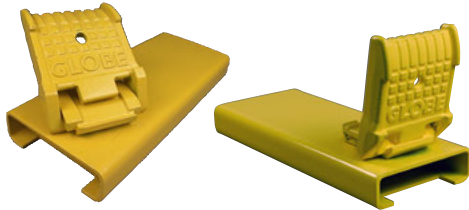
CUSTOM ADAPTERS AVAILABLE!

Call for a quote!

Height Extensions, Adapters & Pads For Globe Lifts/Ford Smith

More Styles Available—Contact SVI today 800-321-8173

SLEEVE AND ADAPTER ASSEMBLIES - FOR MANY MODELS

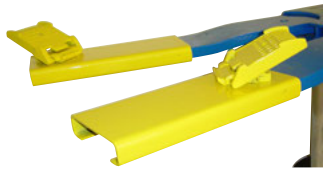


Sleeve and Adapter Assemblies

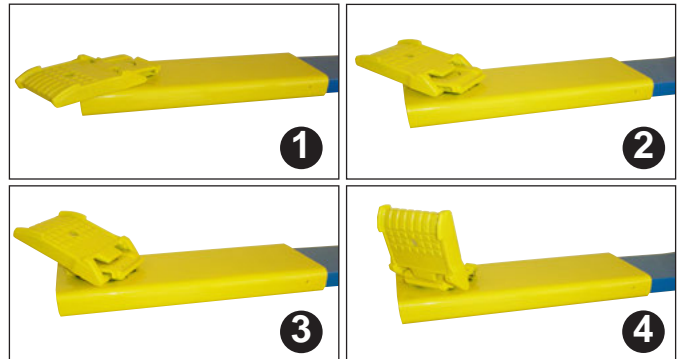
4-Position Frame Contact Adapters

Reversible Sleeves (Standard Feature)

The adapter supporting sleeve can easily be slipped off the swing arm and reversed. This provides even greater flexibility in reaching pick-up points on today's smaller vehicles.



Standard 4-position adapters mean Globe lifts provide the industry's most versatility in reaching proper pick-up points on the vehicles you are lifting.

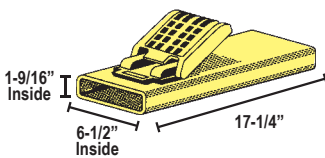


OPTIONAL Height Extensions Available

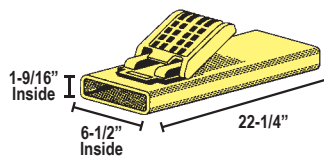
Slide height extensions easily onto the Frame Contact adapter while in the upright position to provide more versatility in reaching the proper pick-up points.



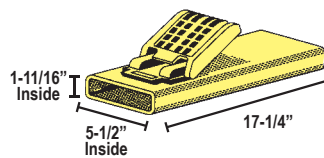
BH-9420-09 (Ref C-34354, C-034354-001 Wayne, B-34355)
Sleeve and Adapter Assembly
17-1/4" Long



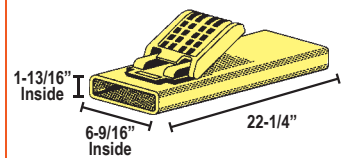
BH-9420-09L (Ref 101655, 34354-011)
Sleeve and Adapter Assembly
22-1/4" Long



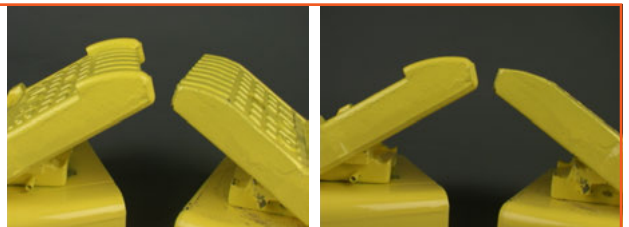
BH-9420-09N (Ref 34354-008)
Sleeve and Adapter Assembly
17-1/4" Long • Narrow



BH-9420-09LT
Sleeve and Adapter Assembly
22-1/4" Long • Taller



BH-9420-11 (Ref 100773, C-34355)
Lift Pad Only



SVI Part #	Ref #	Description / Details	SVI Part #	Ref #	Description / Details
BH-9420-09	C-34354 100776	Sleeve and Adapter Assembly 17-1/4" Long	BH-9420-09S	ACC-174 43895-1	Sleeve with Spin-Up with Round Pad Adapter 20" Long
BH-9420-09L	101655 34354-011	Sleeve & Adapter Assembly 22-1/4" Long	BH-9420-09T	43849	Truck Sleeve & Spin-Up 23" Long
			BH-9420-96	34354-016	Sleeve & Adapter Assembly 3/8" Thick Heavy Duty



CUSTOM ADAPTERS AVAILABLE!
Call for a quote!

Height Extensions, Adapters & Pads For Globe Lifts/Ford Smith

More Styles Available—Contact SVI today 800-321-8173

SLEEVE AND ADAPTER ASSEMBLIES - FOR MANY MODELS

For LIFTS WITH FLIP-UP STYLE ADAPTERS INCLUDING MODELS:

IN-GROUND: F-27, FS-27, FSN-27, FSR-27, F-28, FS-28, FS-28-HP, FSR-28, FSR-28-HP, FSN-28, FSRG-28BS, FS-8-ASL, FS-8-BSL, FS-10-ASL, FS-10AS, FS-10-BS, FS-10, FS-10-HP, FYDT-10

BH-9420-09 (Ref C-34354, C-034354-001 Wayne, B-34355, 100776, 37654, 37657)
Sleeve and Adapter Assembly
17-1/4" Long

For:
FS-10 Series
FS-27 Series
FS-28 Series
FSN-28 Series
FSR-28 Series
FSRG-28BS
FS-8-ASL / FS-8-BSL

BH-9420-09L (Ref 101655, 34354-011)
Sleeve and Adapter Assembly
22-1/4" Long

For:
FS-10 Series
FS-27 Series
FS-28 Series
FSN-28 Series
FSR-28 Series
FSRG-28BS
FS-8-ASL / FS-8-BSL

Replaces 00D-040953, 00D-039983, 00C-041996-001 Wayne Pad

BH-9420-92
(Ref 34354-012)
Sleeve and Pad Assembly
22-1/4" Long

BH-9420-96
(Ref 34354-016)
Sleeve and Adapter Assembly
3/8" Thick Heavy Duty

BH-9420-09S
(Ref ACC-174, 43895-1)
Sleeve with Spin-Up Round Pad Adapter • 20" Long

Replacement Pad: BH-7450-02

BH-9420-09T
(Ref 43849)
Truck Sleeve with Spin-Up Pad Adapter • 23" Long

Replacement Pad: BH-7450-02

HIGH PROFILE VERSION
BH-9420-09T (Ref 43849) **Truck Sleeve and Spin-Up Pad Adapter**
 Features BH-7250-02 Pad (4-1/2" OD Top). Threaded segment is 4-1/2" Long.

LOW PROFILE VERSION
BH-9420-09S (Ref ACC-174, 43895-1) **Sleeve with Spin-Up Pad Adapter**
 Features BH-7450-02 Pad (4-15/16" OD Top). Threaded segment is 2-1/2" long, and female threaded segment is welded directly on top of the sleeve.
 Replaceable Pad: BH-9755-50-1

Opening Dimensions: 6-1/2" x 1-9/16"

BH-9420-29
Rubber Pad Adapter for Many Models Globe Lifts
SVI Exclusive • Peg-On Over Flip-Up

CUSTOM ADAPTERS AVAILABLE!
Call for a quote!

Height Extensions, Adapters & Pads For Globe Lifts/Ford Smith

More Styles Available—Contact SVI today 800-321-8173

FOR LIFTS WITH FLIP-UP STYLE ADAPTERS - MANY MODELS

For LIFTS WITH FLIP-UP STYLE ADAPTERS INCLUDING MODELS:

IN-GROUND: F-27, FS-27, FSN-27, FSR-27, F-28, FS-28, FS-28-HP, FSR-28, FSR-28-HP, FSN-28, FSRG-28BS, FS-8-ASL, FS-8-BSL, FS-10-ASL, FS-10AS, FS-10-BS, FS-10, FS-10-HP, FYDT-10

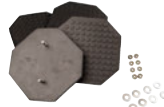
SOGP Drop-On Extension - **FIXED** Height

SOGPA Drop-On Extension - **ADJUSTABLE** Height

Slip-On Height Extension

BH-9420-25 **8-1/2" Fixed Height** • SOGP Style
BH-9420-26 **7"-10" Adjustable Height** • SOGPA Style

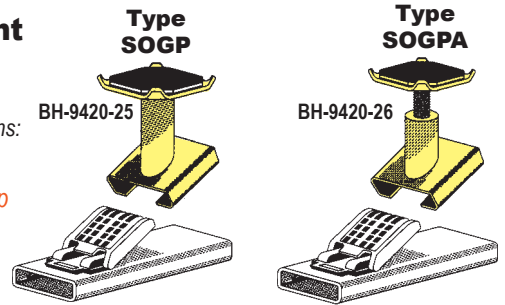
Pictured with Sleeve/Adapter, Sold Separately



Replacement Octagon Rubber Pad: BH-7225-01 or Heavy Duty BH-7225-01X

Opening Dimensions:
5-11/16" x 1-1/2"

*Fits over Flip Up
Adapters*



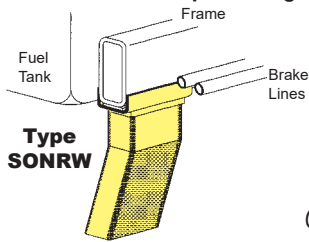
For LIFTS WITH FLIP-UP STYLE ADAPTERS INCLUDING MODELS:

IN-GROUND: F-27, FS-27, FSN-27, FSR-27, F-28, FS-28, FS-28-HP, FSR-28, FSR-28-HP, FSN-28, FSRG-28BS

SONRW Narrow Drop-On Extension

For Close to Frame Obstructions

BH-9420-27 • **9" Drop-On Height Extension with Rectangle Pad**



Fits over Flip Up Adapters

Avoids denting or puncturing fuel tank and smashing brake lines. Commonly sold for use on the rear of late model trucks and SUVs.

SOM Drop-On Extension Without Pad

SOMP Drop-On Extension With Pad

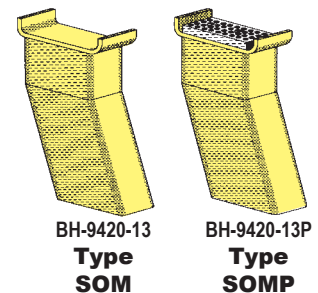
Drop-On Height Extension for Flip-Up

BH-9420-13 **9" Tall** • SOM Style without Pad
BH-9420-13P **9" Tall** • SOMP Style with Rectangle Pad

Inside Dimensions:
5-3/4" Wide

Inside Dimensions:
5-3/4" x 1-7/16"

Fits over Flip Up Adapters



NOTE: Also available as wide style GMT Adapters for use with 2019, 2020, and newer Chevrolet 1500 Silverado and GMC Sierra Trucks.

For SOMP, Replacement Rubber Pad: BH-9900-10 (3" x 5" x 3/8")



CUSTOM ADAPTERS AVAILABLE!

Call for a quote!

Height Extensions, Adapters & Pads For Globe Lifts/Ford Smith

More Styles Available—Contact SVI today 800-321-8173

FOR LIFTS WITH FLIP-UP STYLE ADAPTERS - MANY MODELS

For LIFTS WITH FLIP-UP STYLE ADAPTERS INCLUDING MODELS:

IN-GROUND: F-27, FS-27, FSN-27, FSR-27, F-28, FS-28, FS-28-HP, FSR-28, FSR-28-HP, FSN-28, FSRG-28BS, FS-8-ASL, FS-8-BSL, FS-10-ASL, FS-10AS, FS-10-BS, FS-10, FS-10-HP, FYDT-10



Specialty Lift Adapters

FOR 2019, 2020 AND NEWER

Chevrolet 1500 Silverado and GMC Sierra Truck Models



Made in the USA



Rear
BH-9420-13GMT-3
BH-9420-13GMT-4

Front
BH-9420-13GMT-1
BH-9420-13GMT-2

Kit for Flip-Up Adapters
BH-9420-13GMT



Inside Dimensions:
5-3/4" x 1-7/16"

BH-9420-13GMT Specialty Drop-On Height Extension KIT for Flip-Up (KIT includes (2) Front and (2) Rear)

BH-9420-13GMT-1 Flip-Up Height Ext - Front

BH-9420-13GMT-2 Flip-Up Height Ext - Front (Set of 2)

BH-9420-13GMT-3 Flip-Up Height Ext - Rear

BH-9420-13GMT-4 Flip-Up Height Ext - Rear (Set of 2)



Example Pic of Other GMT Adapters (Not a Globe Lift Pictured)

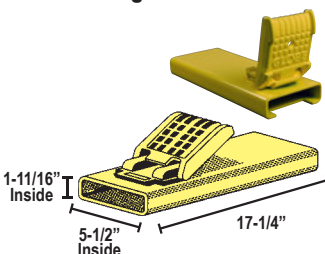
On-going SVI engineering and production activities are occurring to provide lifting adapters for many makes and models of lifts so the new 2019, 2020 and after GM Trucks can be correctly accommodated on virtually any lift. SVI employs a professional staff of engineers who are well-suited to design products to satisfy the requirements and internal self testing is also routinely performed, where applicable.

FOR VARIOUS MODELS MISCELLANEOUS SLEEVE & ADAPTER ASSEMBLIES

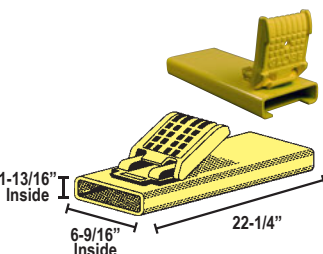
SVI Part #	Ref #	Description / Details
BH-9420-09H		Sleeve & Adapter for 10K
BH-9420-09LT		Sleeve & Adapter Assembly 22-1/4" Long -Taller

BH-9420-09N	34354-008	Sleeve & Adapter Assembly - Narrow
BH-9420-09P	40847	Sleeve & Adapter Assembly 10" Long

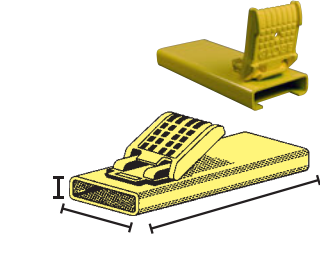
BH-9420-09N
(Ref 34354-008)
Sleeve and Adapter Assembly
17-1/4" Long • Narrow



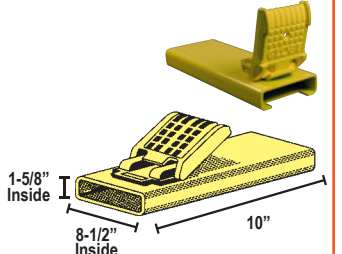
BH-9420-09LT
Sleeve and Adapter Assembly
22-1/4" Long • Taller



BH-9420-09H
Sleeve and Adapter Assembly
for 10K



BH-9420-09P
(Ref 40847)
Sleeve and Adapter Assembly



CUSTOM ADAPTERS AVAILABLE!
Call for a quote!

Height Extensions, Adapters & Pads For Globe Lifts/Ford Smith

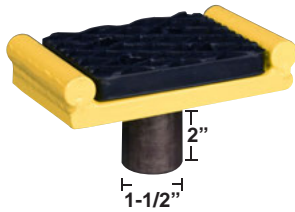
More Styles Available—Check out SVI's Height Extensions, Adapters and Pads Catalog!

FOR VARIOUS MODELS

NESTING ADAPTER FOR FSDT-28, FSDT-210BS

IN-GROUND: FSDT-28BS-N, FSDT-28BS-W, FSDT-210BS

BH-9434-04 (Ref 060016C)
Complete Adapter Assembly for FSDT-28 & FSDT-210BS
1-1/2" OD Pin



Replacement Pad: BH-7205

For:
FSDT-28BS-N
FSDT-28BS-W
FSDT-210BS

Nesting Style Adjustable Adapter with Pad
1-1/2" Pin Dia.

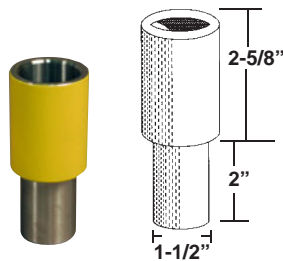
Adapter has a 5" x 4" rectangular top formed from heavy 3/16" and 3/8" steel plate with a replaceable rubber pad. Adapters adjust by simply turning the contact pad to the heights listed.

- BH-7091-70** Adjusts 5" to 6-3/4"
- BH-7091-71** Adjusts 8" to 9-3/4"
- BH-7091-72** Adjusts 10" to 12-3/4"
- BH-7101-00** Replacement Rubber Pad Only

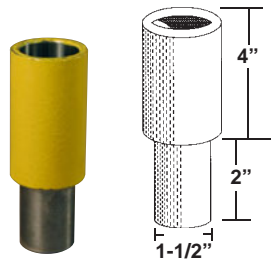


Heavy Duty

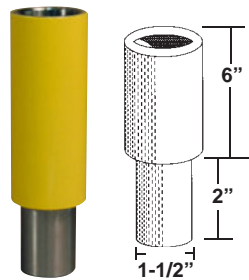
BH-7101-02 (Ref 81693, 27984)
2-5/8" Nesting Style
Height Extension



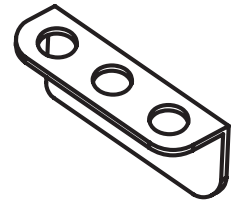
BH-7090-15
4" Nesting Style
Height Extension



BH-7090-16
6" Nesting Style
Height Extension



**Holder Bracket for
Height Extensions with
1-1/2" Pin Diameters**
BH-7500-95 (Ref FJ6145)





CUSTOM ADAPTERS AVAILABLE!
Call for a quote!

Saddles and Adapters For Globe Lifts/Ford Smith

For MP-28A, MP-28E 8-1/2" Front Moveable Plunger / 8-1/2" Rear Plunger

For MP-810A, MP-810E 8-1/2" Front Moveable Plunger / 10-5/8" Rear Plunger

SADDLES / BOLSTERS Also See: Adapters

SVI Part #	Ref #	Description / Details
BH-9431-25	B-43737	Front and Rear Saddle for MP-28A / E (38" Long)
BH-9431-25	B-43737	Front Saddle for MP-810A / E (38" Long)
BH-9431-33	43737-G03	Front Saddle for MP-810A / E (38" Long)
BH-9428-03	B-43686	Rear Saddle for MP-810A / E (34" Long)
BH-9420-60	102803 (43737)	Front Saddle MP-28

ADAPTERS

FRONT ADAPTERS for MP-28A, MP-28E, MP-810A, MP-810E

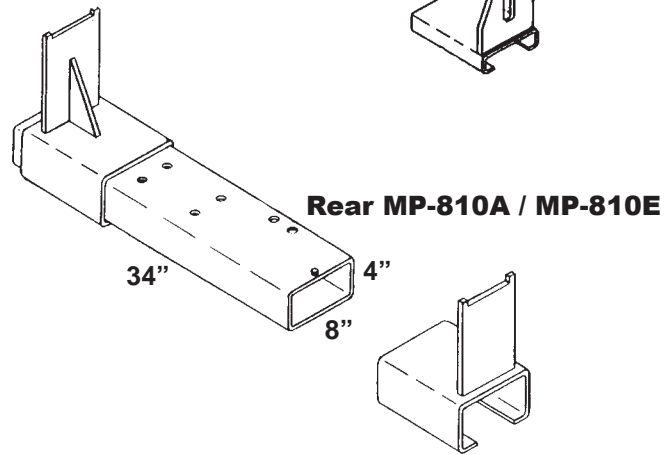
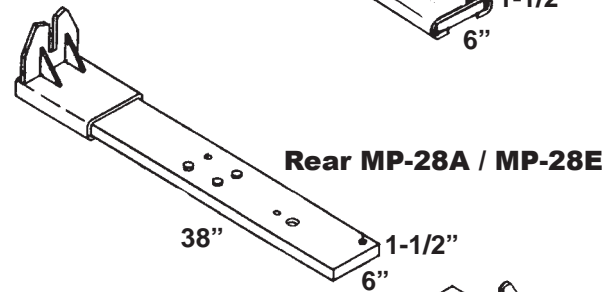
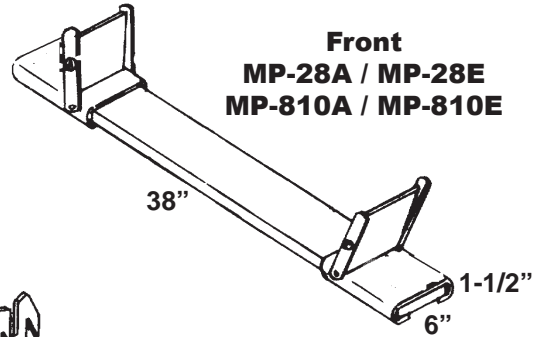
BH-9431-18	C-45610	Front Adapter
BH-9431-16	C-43114	Front Adapter Assembly
BH-9431-16A	103777 C-43114, B-46138-G01	Front Adapter Assembly with Bowl
Call for details	B-43578	Special Front Adapter

REAR ADAPTERS - MP-28A / MP-28E

BH-9431-23	B-43199	Rear Adapter (MP-28A / E)
BH-9430-21	43897	Extension Fits B-43199
Call for details	B-43900	Special Rear Adapter
Call for details	B-45984-G01	Special Rear Adapter

REAR ADAPTERS - MP-810A / MP-810E

BH-9428-04	B-43580	Standard Rear Adapter 5-1/2" Wide
BH-9428-10	B-43481	Rear Adapter - 4,000 lb Capacity Per Adapter
BH-9430-20	B-43573	Sliding Extension
Call for details	B-46133-G01	Special Rear Adapter
Call for details	B-46009	Special Rear Adapter



FRONT ADAPTERS FOR MP-28A, MP-28E, MP-810A, MP-810E

<p>BH-9431-18 (Ref C-45610) Front Adapter</p>	<p>BH-9431-16 (Ref C-43114) Front Adapter</p> <p>Also for P-28 Front</p>	<p>BH-9431-16A (Ref C-43114, B-46138-G01, 103777) Special Front Adapter with Bowl</p>	<p>Call SVI (Ref B-43578) Special Front Adapter</p> <p>RUBBER PAD</p>
--	---	--	--

CUSTOM ADAPTERS AVAILABLE!
Call for a quote!

Saddles and Adapters For Globe Lifts/Ford Smith

For MP-28A, MP-28E, MP-810A, MP-810E *continued*

FRONT ADAPTERS

- BH-9431-16 (Ref C-43114) Adapter and 6" Flip Up for MP-28
- BH-9431-16A (Ref C-43114) Adapter with Bowl and 6" Flip Up for MP-28
- BH-9431-34 (Ref 46138-G01) Adapter with Bowl and 6" Flip Up for MP-810
- BH-9431-34-8 (Ref 46138-G01) Adapter with Bowl and 8" Flip Up for MP-810



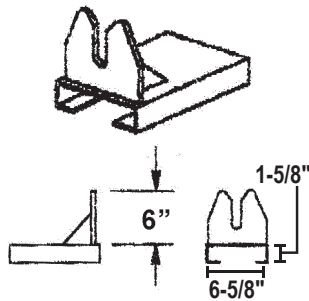
For the Front Saddle of MP-810 and MP-28 models.

It replaces old Globe # C43114 / 46138-G01

It is rumored the old Globe guys called this thing a salad bowl adapter. Many of the SVI distributors refer to it as the candy dish adapter. One thing is for sure, no one ever ate anything out of it. It is primarily used for GM vehicles with coil spring front ends.

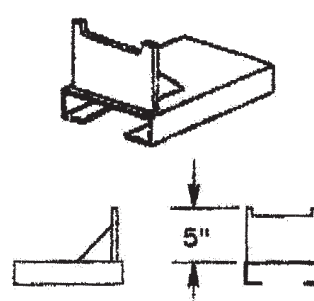
REAR ADAPTERS - FOR MP-28A, MP-28E

BH-9431-23 (Ref B-43199)
Standard Rear Adapter

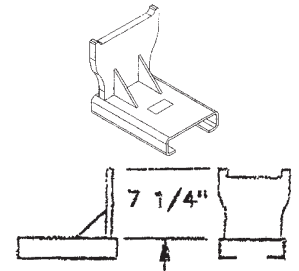


BH-9430-21 (Ref 43897)
Extension Fits BH-9431-23

Call SVI (Ref B-43900)
Special Rear Adapter

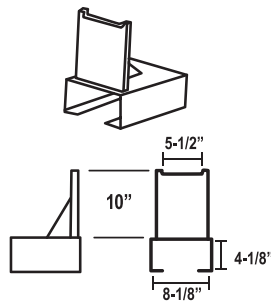


Call SVI (Ref B-45984-G01)
Special Rear Adapter
4,000 lb Capacity per Adapter

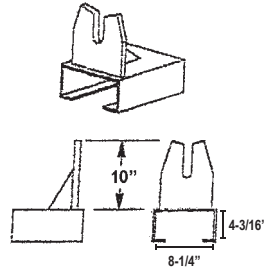


REAR ADAPTERS - FOR MP-810A, MP-810E, MP-210A, MP-210E

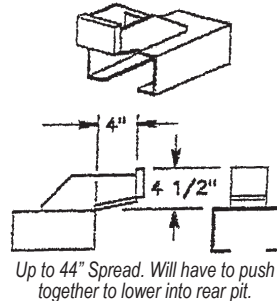
BH-9428-04 (Ref B-43580)
Standard Rear Adapter



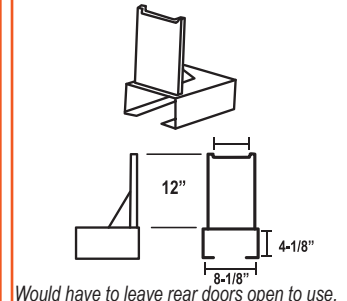
BH-9428-10 (Ref B-43481)
Rear Adapter
4,000 lb. Capacity per Adapter



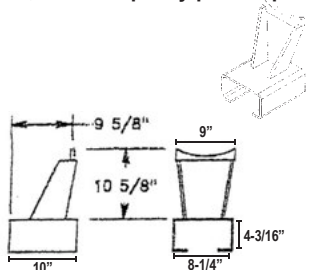
BH-9430-20 (Ref B-43573)
Sliding Extension



Call SVI (Ref B-46133-G01)
Special Rear Adapter



Call SVI (Ref B-46009)
Special Rear Adapter
25,000 lb. Capacity per Adapter





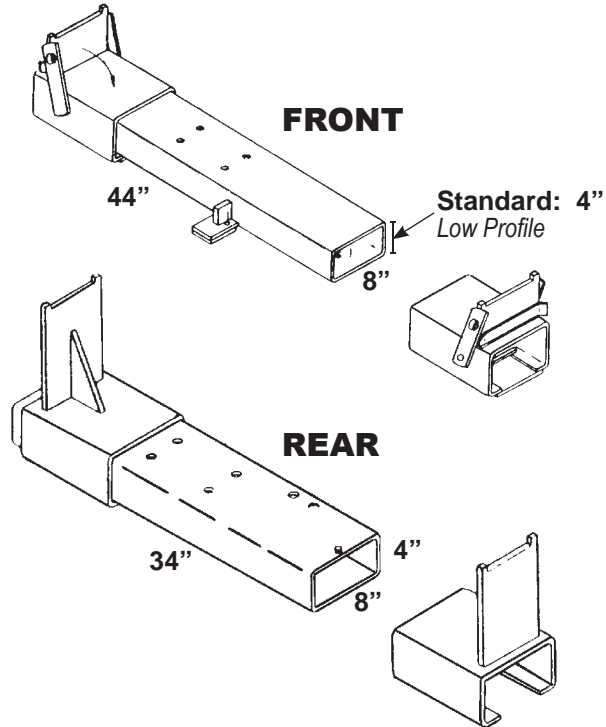
CUSTOM ADAPTERS AVAILABLE!
Call for a quote!

Saddles and Adapters For Globe Lifts/Ford Smith

For MP-210A, MP-210E 10-5/8" Front Plunger / 10-5/8" Rear Plunger

SADDLES / BOLSTERS *Also See: Adapters*

SVI Part #	Ref #	Description / Details
BH-9428-02	B-43685	Front Saddle 4" Tall
BH-9428-02A	C-43979	Low Profile Front Saddle
BH-9429-02	42766	Front Saddle Assembly MP-210 Series 3 39" Long
BH-9428-03	B-43686	Rear Saddle for 10-5/8"
BH-9429-04	42820	Rear Dual Saddle MP-310 Series 2



FRONT ADAPTERS

SVI Part #	Ref #	Description / Details
BH-9429-01	42762	Front Adapter Assembly for MP-210 Series 3
BH-9431-17	B-45992-G01	Front Adapter for Low Profile 1-7/8" Thick Saddle/Bolster
BH-9428-43	B-46148	Front Adapter for Low Profile
BH-9428-01	B-43615	Front Adapter from 1985-1992

FRONT ADAPTERS

<p>BH-9429-01 (Ref 42762) Standard Front Adapter</p>	<p>BH-9431-17 (Ref B-45992-G01) Special Front Adapter</p> <p>Metro Bus Adapter 9,000 lb capacity per adapter</p>	<p>BH-9428-43 (Ref B-46148-G01) Special Front Adapter</p> <p>Will not fit under wing covers with recessed front pit.</p>	<p>BH-9428-01 (Ref B-43615) Front Adapter for MP-210 from 1985-1992</p> <p>Lifting Height 5" 4-3/16" 8-1/4" 5" 7/8"</p> <p>Plate down for normal use on 4-wheel drive vehicles.</p>
---	---	---	--

REAR ADAPTERS

SVI Part #	Ref #	Description / Details
BH-9428-04	B-43580	Standard Rear Adapter 5-1/2" Wide
BH-9428-10	B-43481	Rear Adapter - 4,000 lb Capacity Per Adapter
BH-9429-03	42760	Rear Adapter for MP-210 Series 3
BH-9430-20	B-43573	Sliding Extension for MP-210 Series 3
Call for details	B-46133-G01	Special Rear Adapter
Call for details	B-46009	Special Rear Adapter
Call for Details	C-43206-001 or -G01 / ACC-179	ACC178 / ACC156KIT

See previous page for more details on these rear adapters.



CUSTOM ADAPTERS AVAILABLE!
Call for a quote!

Saddles and Adapters For Globe Lifts/Ford Smith

For MP-310EDR, SHMP-210A, SHMP-210E, SHMP-1012E, SHMP-310E, MP-10-12-10E

SADDLES / BOLSTERS *Also See: Adapters*

SVI Part #	Ref #	Description / Details
BH-9428-02A	C-43979	Front Saddle
BH-9428-07	B-43714	Dual Rear Saddle

FRONT ADAPTERS

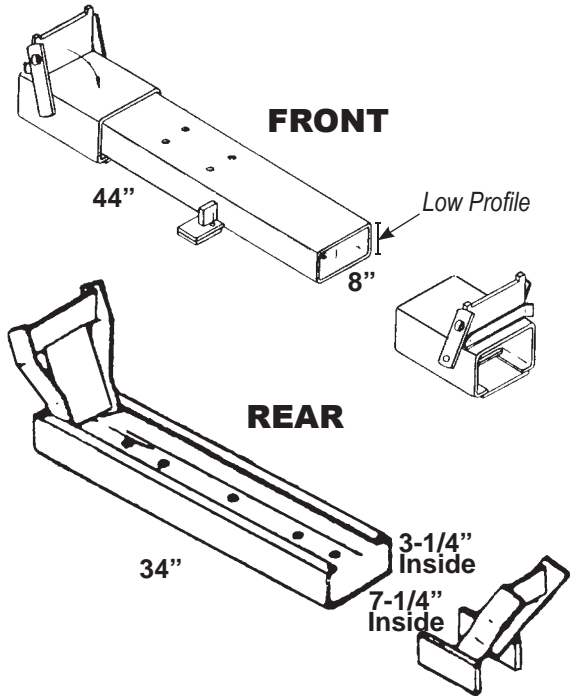
SVI Part #	Ref #	Description / Details
BH-9428-01A	B-43978	Standard Front Adapter (3")
BH-9428-01A-1	B-43978	Front Adapter Fixed Height 4" for SHMP-210A
BH-9431-17	B-45992-G01	Special Front Adapter
BH-9428-43	B-46148-G01	Special Front Adapter

REAR ADAPTERS - FOR MP-310EDR, SHMP-210A, SHMP-210E, SHMP-1012E, SHMP-310E

BH-9428-06	B-43383	Standard Rear Adapter
BH-9428-06S	B-43383x	Rear Adapter - Straight
BH-9413-83	B-45183-G02	Standard Rear Adapter
Call for details	B-45183-G03	Special Rear Adapter
Call for details	B-45158	Special Rear Adapter
BH-9470-48	B-45010	Special Rear Adapter
BH-9470-48A	B-45106-G02	Special Rear Adapter - Sliding
BH-9470-48B	B-45182	Special Rear Adapter
BH-9428-18	B-45002	Special Rear Adapter
BH-9428-44	B-45002-G02	Special Rear Adapter

REAR AND CENTER ADAPTERS - FOR MP-10-12-10E

BH-9428-06	B-43383	Standard Center and Rear Adapter
------------	---------	----------------------------------



BH-9428-06 (Ref B-43383)
Standard Rear Adapter
10-1/2" Tall x 11-3/4" Wide

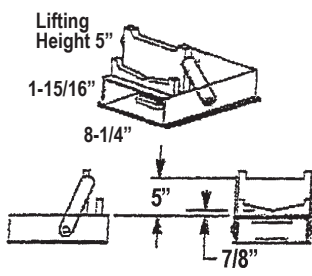
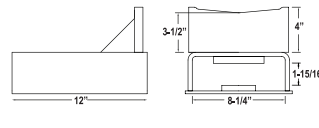
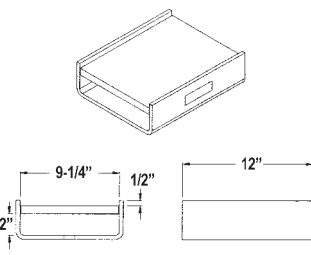
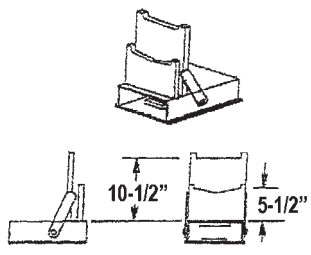


CUSTOM ADAPTERS AVAILABLE!
Call for a quote!

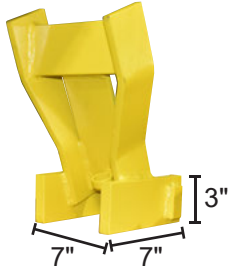

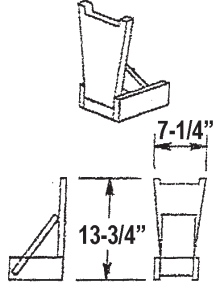
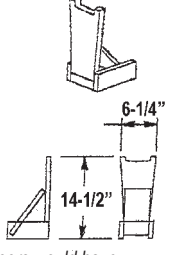
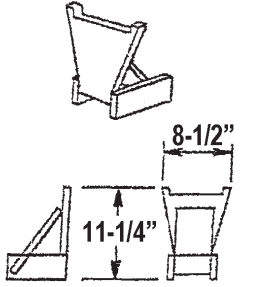
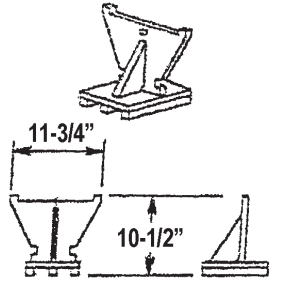
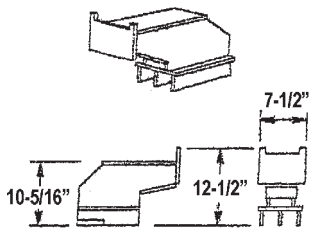
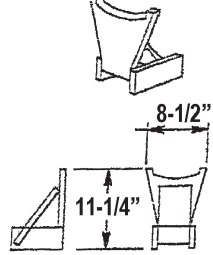
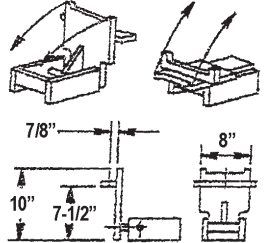
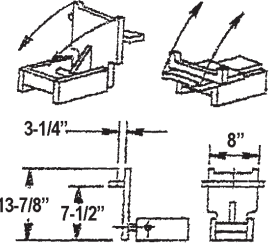
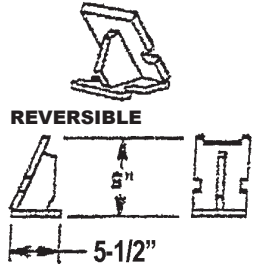
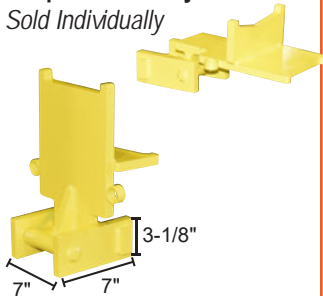
Saddles and Adapters For Globe Lifts/Ford Smith

For MP-310EDR, SHMP-210A, SHMP-210E, SHMP-1012E, SHMP-310E, MP-10-12-10E

FRONT ADAPTERS

<p>BH-9428-01A (Ref B-43978) Standard Front Adapter</p> 	<p>BH-9428-01A-1 (Ref B-43978) Front Adapter Fixed Height 4"</p> 	<p>BH-9431-17 (Ref B-45992-G01) Special Front Adapter</p>  <p>Metro Bus Adapter 9,000 lb capacity per adapter</p>	<p>BH-9428-43 (Ref B-46148-G01) Special Front Adapter</p>  <p>Will not fit under wing covers with recessed front pit.</p>
---	--	---	---

REAR ADAPTERS FOR MP-310EDR, SHMP-210A / E, SHMP-1012E, SHMP-310E

<p>BH-9428-06 (Ref B-43383) Standard Rear Adapter 10-1/2" Tall x 11-3/4" Wide</p> 	<p>BH-9428-06S (Ref B-43383x) Rear Adapter - Straight</p> 	<p>BH-9413-83 (Ref B-45183-G02) Standard Rear Adapter</p> 	<p>Call SVI (Ref B-45183-G03) Special Rear Adapter</p>  <p>Rear pit doors would have to be left open to use.</p>
<p>Call SVI (Ref B-45158) Special Rear Adapter</p> 	<p>BH-9470-48 (Ref B-45010) Special Rear Adapter</p> 	<p>BH-9470-48A (Ref B-45106-G02) Special Rear Adapter</p>  <p>Will have to push together to lower into the pit.</p>	<p>BH-9470-48B (Ref B-45182) Special Rear Adapter</p>  <p>18,000 lb. Capacity per Adapter</p>
<p>BH-9428-18 (Ref B-45002) Special Rear Adapter</p>  <p>Great adapter for when space is limited. Only 1/2" from top of rail in down position.</p>	<p>Call SVI (Ref B-45002-G02) Special Rear Adapter</p>  <p>Lifting points are 4" and 9.5" above top surface of bolster sleeve.</p>	<p>BH-9428-40 (Ref B-43840) Special Rear Reversible Adapter for D-SH-10</p>  <p>REVERSIBLE</p>	<p>BH-9428-44 (Ref 45002-G02) Adapter Assembly Sold Individually</p> 

CUSTOM ADAPTERS AVAILABLE!
Call for a quote!

Saddles and Adapters For Globe Lifts/Ford Smith

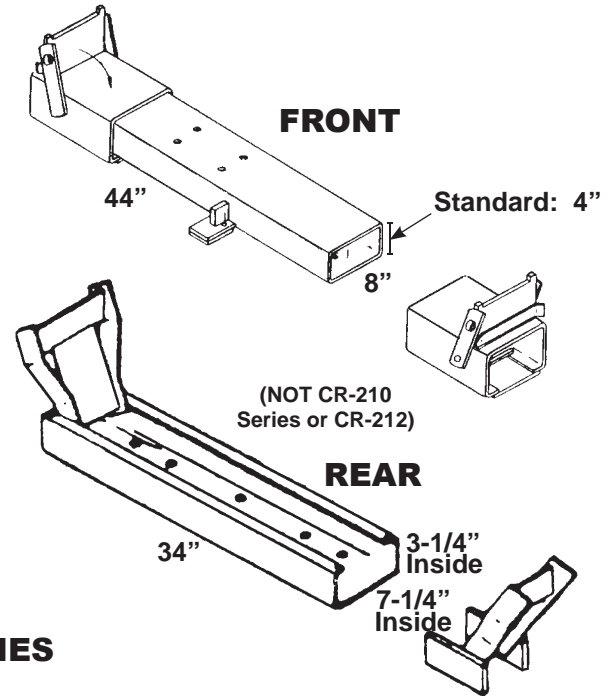
For D-SH-10A V, D-SH-10E V, D-SH-12E, SHRS-212E, CR-210, CR-210A, CR-210E, CR-210BS, CR-212

SADDLES / BOLSTERS Also See: Adapters • Call to confirm measurements / lift model before ordering.
(NOT CR-210 Series or CR-212)

SVI Part #	Ref #	Description / Details
BH-9428-02	B-43685	Front Saddle 4" x 12-1/2" x 44"
BH-9428-09	B-43381	Rear Rolling Saddle 13-3/4" x 4-1/2" x 34"
BH-9430-10	B-43378-1	Rear Saddle 4-1/2" x 8-1/2" x 34"

FRONT ADAPTERS - FOR D-SH-10A V, D-SH-10E V, D-SH-12E

SVI Part #	Ref #	Description / Details
BH-9428-06	B-43383	Standard Front Adapter
BH-9428-06S	B-43383x	Front Adapter - Straight
BH-9413-83	B-45183-G02	Standard Front Adapter
Call for details	B-45183-G03	Special Front Adapter
Call for details	B-45158	Special Front Adapter
BH-9470-48	B-45010	Special Front Adapter
BH-9470-48A	B-45106-G02	Special Front Adapter - Sliding
BH-9470-48B	B-45182	Special Front Adapter
BH-9428-18	B-45002	Special Front Adapter
BH-9428-44	B-45002-G02	Special Front Adapter



ADAPTERS - FOR SHRS-212E, CR-210 SERIES

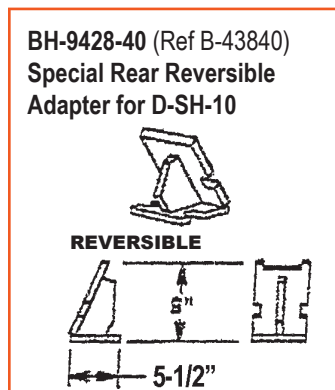
SVI Part #	Ref #	Description / Details
BH-9428-06	B-43383	Standard Adapter
BH-9428-06S	B-43383x	Adapter - Straight
BH-9413-83	B-45183-G02	Standard Adapter
Call for details	B-45183-G03	Special Adapter
Call for details	B-45158	Special Adapter
BH-9470-48	B-45010	Special Adapter
BH-9470-48A	B-45106-G02	Special Adapter - Sliding
BH-9470-48B	B-45182	Special Adapter
BH-9428-18	B-45002	Special Adapter
BH-9428-44	B-45002-G02	Special Adapter

ADAPTERS - FOR CR-212

SVI Part #	Ref #	Description / Details
BH-9470-48	B-45010	Special Adapter
BH-9470-48A	B-45106-G02	Special Adapter - Sliding
BH-9470-48B	B-45182	Special Adapter
BH-9428-18	B-45002	Special Adapter
BH-9428-44	B-45002-G02	Special Adapter

REAR ADAPTERS - FOR D-SH-10A V, D-SH-10E V, D-SH-12E

BH-9428-40	B-43840	Special Rear Adapter for D-SH-10
------------	---------	----------------------------------





CUSTOM ADAPTERS AVAILABLE!
Call for a quote!

Saddles and Adapters For Globe Lifts/Ford Smith

For D-SH-10A V, D-SH-10E, D-SH-12E, SHRS-212E

FRONT ADAPTERS FOR D-SH-10A V, D-SH-10E, D-SH-12E / ADAPTERS FOR SHRS-212E

<p>BH-9428-06 (Ref B-43383) Standard Adapter 10-1/2" Tall x 11-3/4" Wide</p>	<p>BH-9428-06S (Ref B-43383x) Adapter - Straight</p>	<p>BH-9413-83 (Ref B-45183-G02) Standard Adapter</p>	<p>Call SVI (Ref B-45183-G03) Special Adapter</p> <p>Rear pit doors would have to be left open to use.</p>
<p>Call SVI (Ref B-45158) Special Adapter</p>	<p>BH-9470-48 (Ref B-45010) Special Adapter</p>	<p>BH-9470-48A (Ref B-45106-G02) Special Adapter</p> <p>Will have to push together to lower into the pit.</p>	<p>BH-9470-48B (Ref B-45182) Special Adapter</p> <p>18,000 lb. Capacity per Adapter</p>
<p>BH-9428-18 (Ref B-45002) Special Adapter</p> <p>Great adapter for when space is limited. Only 1/2" from top of rail in down position.</p>	<p>Call SVI (Ref B-45002-G02) Special Adapter</p> <p>Lifting points are 4" and 9.5" above top surface of bolster sleeve.</p>	<p>BH-9428-44 (Ref 45002-G02) Adapter Assembly Sold Individually</p>	

CUSTOM ADAPTERS AVAILABLE!
Call for a quote!

Height Extensions, Adapters & Pads For Globe Lifts/Ford Smith

More Styles Available—Check out SVI's Height Extensions, Adapters and Pads Catalog!

TELESCOPING ADAPTERS FOR GLOBE KL-10, SVLD-10, OTHERS

<p>1/2" Thick Rubber Arm Pad (Ref SL4, SL3)</p> <p>For Both 1-Hole and 2-Hole Applications</p> <p>BH-7560-04 1 Pad</p> <p>Sold Individually</p>  <p>4-11/16" OD 3 Holes</p>	<p>Screw-Up Telescoping Adapter Assembly for Powerrex, Globe KL-10, SVLD-10, Complete Lift SL-10, others (Ref SL5 - old style)</p> <p>BH-7560-05 • 1 Adapter</p> <p><i>This is old style without nut.</i> <i>See BH-7560-123KIT for new style.</i></p>  <p>Use with Rubber Pad: BH-7560-04</p>
<p>Screw-Up Telescoping Adapter with Pad for Powerrex (Ref SL5 - new style)</p> <p>BH-7560-123KIT • 1 Adapter</p> <p><i>This is New Style with Collar/Nut.</i> <i>For Old-Style without Nut,</i> <i>See BH-7560-05.</i></p>  <p>For Powerrex 2.542" OD Collar</p> <p>Use with Rubber Pad: BH-7560-04</p>	<p>Screw-Up Telescoping Truck Adapter with Pad for Powerrex</p> <p>BH-7560-124KIT • 1 Adapter</p>  <p>For Powerrex 2.542" OD Collar</p> <p>Use with Rubber Pad: BH-7101-00</p>

FOR VARIOUS MODELS

<p>1-1/4"-7 THREADS • SCREW-UP ADAPTER AND PAD</p> <p>Screw Adapter with Slip-Over Square Pad BH-7250-03 (Ref FS-207526, 207526, 203556, FS-203556)</p>  <p>1-1/4"-7 Threads</p> <p>Replacement Pad—See BH-7250-03P</p>  <p>BH-7250-03P Pad Dimensions 4-1/2" x 4-1/2"</p>	<p>Slip-Over Square Rubber Pad (Ref 208512, FS-208512) BH-7250-03P 1 Pad</p> <p>4-1/2" x 4-1/2" 1" Thick</p>  <p>BH-7250-03P</p>
<p>1-3/8" (35MM) PIN OD</p> <p>Drop-In Nesting Style Adapter with Slip-Over Square Pad with 1-3/8" Diameter Pin for Globe Lifts GV-10</p> <p>BH-7256-20 Individual Adapter & Pad BH-7479-55 (Ref 5715365) Replacement Pad Only</p>  <p>1-3/8" Type NSP</p>	<p>BH-7090-10 (Ref 5746390, 66501) 3" Nesting Style Height Extension 1-3/8" (35 mm) Pin</p>  <p>Type NS</p> <p>3" 1-3/4" 1-3/8"</p> <p>BH-7090-13 (Ref 81691, 27982, 66502) 6" Nesting Style Height Extension 1-3/8" (35 mm) Pin</p>  <p>Type NS</p> <p>6" 1-3/4" 1-3/8"</p>



CUSTOM ADAPTERS AVAILABLE!

Call for a quote!

Height Extensions, Adapters & Pads For Globe Lifts/Ford Smith

More Styles Available—Check out SVI's Height Extensions, Adapters and Pads Catalog!

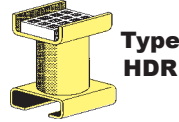
FOR VARIOUS MODELS

OPENING DIMENSIONS: 3-3/8" X 1-5/16"

Fixed Slip-On Height Extension with Rectangle Pad

Fits over Flat Rectangle Pad BH-7250-01

- BH-7253-15 • 3" Extension
- BH-7253-16 • 4" Extension
- BH-7253-17 • 5" Extension
- BH-7250-05 • 6" Extension
- BH-7253-19 • 7" Extension
- BH-7253-20 • 8" Extension
- BH-7253-21 • 9" Extension
- BH-7253-22 • 10" Extension

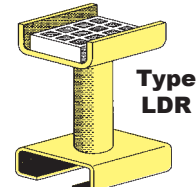


Type HDR
Opening Dimensions:
3-3/8" x 1-5/16"
Replacement Pad: BH-7205

OPENING DIMENSIONS: 3-3/8" X 1-5/16"

Slip-On Height Extension LDR Style

- BH-7253-10 • 3" Extension
- BH-7253-11 • 4" Extension
- BH-7253-12 • 5" Extension
- BH-7253-13 • 6" Extension
- BH-7253-14 • 7" Extension



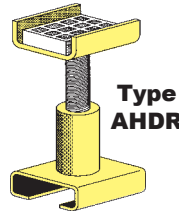
Type LDR
Opening Dimensions:
3-3/8" x 1-5/16"

Replacement Pad: BH-7205

OPENING DIMENSIONS: 3-3/8" X 1-5/16"

Adjustable Height Extension With Rectangle Pad

- BH-7253-23 • 4"–6" Adjustable
- BH-7253-24 • 6"–9-1/2" Adjustable



Type AHDR
Opening Dimensions:
3-3/8" x 1-5/16"

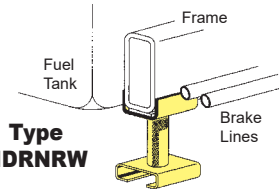
Replacement Pad—See BH-7205

OPENING DIMENSIONS: 3-3/8" X 1-5/16"

Slip-On Narrow Height Extension for Close to Frame Obstructions

- BH-7253-46 • 3" Extension
- BH-7253-47 • 6" Extension
- BH-7253-48 • 9" Extension

Adjustable version also available.



Type HDRNRW

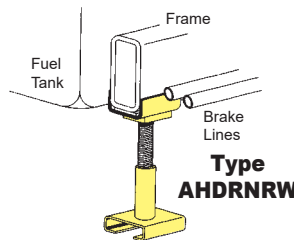
Opening Dimensions:
3-3/8" x 1-5/16"

Replacement Pad: BH-9755-50-1

OPENING DIMENSIONS: 3-3/8" X 1-5/16"

Adjustable Slip-On Narrow Height Extension for Close to Frame Obstructions

- BH-7253-52 • 4"–6" Adjustable
- BH-7253-53 • 6"–9" Adjustable



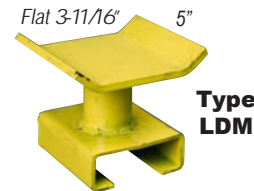
Type AHDRNRW
Opening Dimensions:
3-3/8" x 1-5/16"

Replacement Pad: BH-9975-50-1

OPENING DIMENSIONS: 3-3/8" X 1-5/16"

Slip-On Height Extension • (No Pad) LDM Style

- BH-7250-70 3" Extension
- BH-7250-71 6" Extension
- BH-7250-72 9" Extension



Type LDM
Opening Dimensions:
3-3/8" x 1-5/16"

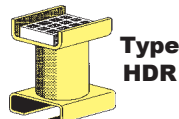
OPENING DIMENSIONS: 4-9/16" X 1-3/16"

Slip-On Height Extension with Rectangle Pad

Fits over BH-7250-01 Rubber Pad

For Globe AFO Models

- BH-7253-27 • 3" Extension
- BH-7253-28 • 4" Extension
- BH-7253-29 • 5" Extension
- BH-7253-30 • 7" Extension
- BH-7253-31 • 8" Extension
- BH-7253-32 • 9" Extension
- BH-7253-33 • 10" Extension



Type HDR
Opening Dimensions:
4-9/16" x 1-3/16"
Replacement Pad: BH-7205

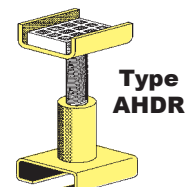
OPENING DIMENSIONS: 4-9/16" X 1-3/16"

Adjustable Slip-On Height Extension with Rectangle Pad

Fits over BH-7250-01 Rubber Pad

For Globe AFO Models

- BH-7253-25 • 4"–6" Adjustable
- BH-7253-26 • 6"–9-1/2" Adjustable



Type AHDR
Opening Dimensions:
4-9/16" x 1-3/16"
Replacement Pad: BH-7205

CUSTOM ADAPTERS AVAILABLE!
Call for a quote!

Height Extensions, Adapters & Pads For Globe Lifts/Ford Smith

More Styles Available—Check out SVI's Height Extensions, Adapters and Pads Catalog!

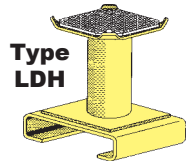
FOR VARIOUS MODELS

OPENING DIMENSIONS: 4-9/16" X 1-3/16"

Fixed Slip-On Height Extension with Octagon Pad
Fits over BH-7250-01 Rubber Pad
For Globe AFO Models

BH-7250-07 • 6" Extension

Other Heights May Be Available
Contact SVI Today.



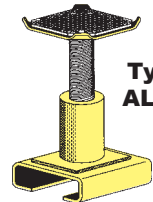
Opening Dimensions:
4-9/16" x 1-3/16"

Replacement Pad: BH-7235-90A

OPENING DIMENSIONS: 4-9/16" X 1-3/16"

Adjustable Slip-On Height Extension with Octagon Pad
Fits over BH-7250-01 Rubber Pad
For Globe AFO Models

BH-7250-06 • 6"-9.5" Adjustable



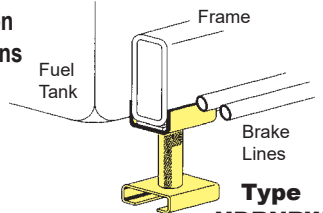
Opening Dimensions:
4-9/16" x 1-3/16"

Replacement Pad: BH-7225-01

OPENING DIMENSIONS: 4-9/16" X 1-3/16"

Fixed Slip-On Height Extension
for Close to Frame Obstructions
Fits over BH-7250-01
Rectangle Pad

- BH-7253-49 3" Adapter
- BH-7253-50 6" Adapter
- BH-7253-51 9" Adapter



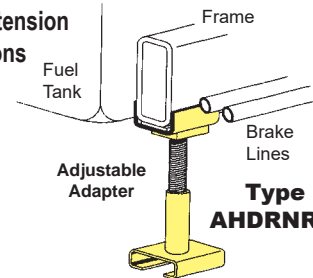
Opening Dimensions:
4-9/16" x 1-3/16"

Replacement Pad: BH-9755-50-1

OPENING DIMENSIONS: 4-9/16" X 1-3/16"

Adjustable Slip-On Height Extension
for Close to Frame Obstructions
Fits over BH-7250-01
Rectangle Pad

- BH-7253-54 4" to 6"
- BH-7253-55 6" to 9"



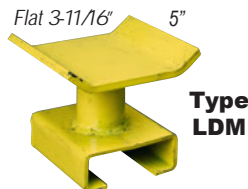
Opening Dimensions:
4-9/16" x 1-3/16"

Replacement Pad: BH-9755-50-1

OPENING DIMENSIONS: 4-9/16" X 1-3/16"

Slip-On Height Extension • (No Pad) LDM Style
Fits over BH-7250-01
Rectangle Pad

- BH-7253-43 3" Extension
- BH-7253-44 6" Extension
- BH-7253-45 9" Extension



Opening Dimensions:
4-9/16" x 1-3/16"



SVI's Product Line is Vast

CONTACT US TODAY IF THERE'S SOMETHING YOU CAN'T FIND

800-321-8173 • 815-748-0200 • www.sviinternational.com



Shims for 3/4" Wedge and Screw Anchors

Color Coded Shims are In-Stock! Order Today!

BH-7512-92	Assortment	150 Shims (50 each)
BH-7512-90	1/16" Blue	Pack of 50
BH-7512-91	1/8" Red	Pack of 50
BH-7512-89	1/4" Black	Pack of 50

HEAVY DUTY PLASTIC SLOTTED SHIMS

Extra-thick shims make it easy to level and align 2- and 4-post surface mount lifts. These rugged plastic shims will not corrode, rot or rust. A must-have for every professional lift installer in the industry.



Installation Kits Available

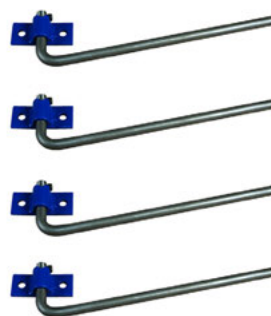
Installation Supplies

- Carbide Drill Bits
- Core Bits
- Epoxy and Adhesives
- Wedge Anchors
- Screw Anchors
- Rebar Cutters and Adapter
- Rod Seal Install Tools
- Safety & Inspection Stickers

Many Sizes Available!



Simpson Carbide Drill Bits Many Options and Sizes Available!
 BH-7064Q-12-21 (Drilling Depth 16" / 3/4" dia.) SDS Max Quad Head Bit
 BH-7065Q-12-23 (Drilling Depth 18" / 3/4" dia.) Spline Shank Quad Head Bit
 BH-7065Q-12-16 (Drilling Depth 11" / 3/4" dia.) Spline Shank Quad Head Bit



Wheel / Tire Hanger Kits

Increase Efficiency • For Any Budget



SF-92100 Set of 2

BH-7545-70K-4 Kit of 4
 BH-7545-70K Individual
 Includes Hardware



Wedge Anchors
 Many Sizes Available!
 BH-7075-03
 3/4" x 5-1/2"

Ask How to Get Free Shipping on Wedge Anchors!



Screw Anchors
 Many Sizes Available!
 BH-7075-26
 1/2" x 4"
 BH-7075-37
 3/4" x 5"



Rod Seal Install Tool Set
 BH-7079-01
 Includes 3 Install Tools to Service 3/4" ID Seals up to 3" ID Seals

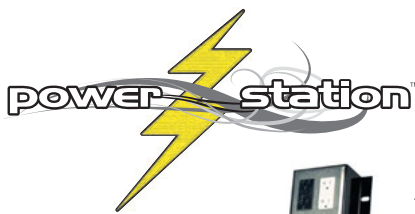


Inspection Stickers
 Roll of 250
 BH-7011-11

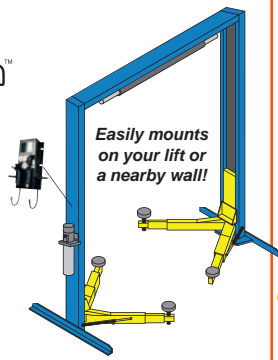
ASK FOR OUR INSTALLATION SUPPLIES CATALOG

Air / Hydraulic Pumps for Rolling Bridge Jacks

Options Available—Call Today!



POWER STATION™ AIR / ELECTRIC UTILITY BOX



Easily mounts on your lift or a nearby wall!

Vehicle Lifts and Lifting Equipment

New Lifts for Cars, Trucks, Buses, Motorcycles, UTVs and More
 Replacement Cylinders Sections & Kits • Turf Trays for 2-Post Lifts



SVI's Product Line is Vast

CONTACT US TODAY IF THERE'S SOMETHING YOU CAN'T FIND

800-321-8173 • 815-748-0200 • www.sviinternational.com

INCREASE EFFICIENCY • ELIMINATE COSTLY DAMAGE TO DOORS • REDUCE STRESS OF SHOP TECHNICIANS

doorjammer **PRO**™
Durable • Impact Resistant

A Must-Have for All 2-Post Lifts!

Available in 2 Sizes!

- BH-7077-02-2S 12" tall x 18" wide
- BH-7077-02-2 24" tall x 18" wide

Prevents Door Dings!
Just one damaged door can cost
3 times as much as a simple investment
in one SVI doorjammerPRO™.



Auto Lift Cables and Chain Sheaves / Pulleys / Chain Rollers



TURF AND UTILITY TRAYS

FOR 2-POST LIFTS
SYMMETRIC / ASYMMETRIC

*The #1 Choice for
Symmetric or Asymmetric
2-Post Surface Mount Lifts
and In-Ground
Side-By-Side, too!*



Hose Reel Hose Stops

Options Available—Call Today!



Auto Lift Power Units and Parts

Call SVI today!



Tire Changer Parts and Accessories

For Most Makes and Models

See our *Tire Changer Repair Parts Catalog!*



Brake Lathe Repair Parts

For Most Makes and Models

See our *Brake Lathe Repair Parts Catalog!*





DIRECT FIT™ BRAND

SVI International, Inc.

Catalogs and Information Online: www.sviinternational.com

AUTO LIFT REPAIR PARTS FOR ALL MAKES & MODELS

~NO MATTER THE AGE OF THE LIFT!

- Arm Restraint Kits & Parts
- Cables—Lifting and Equalizing
- Chain
- doorjammerPRO - Door Protection Pad
- Height Extensions and Rubber Pads
- Installation Products & Tools
- Power Units and Parts
- Pulleys and Chain Rollers
- Seal Kits for In-Ground & Surface Mount
- Safety Legs / Non-Rotators
- Replacement Lift Kits
- Power Post Lifting Systems
- Tanks for In-Ground Lifts
- Turf Attachments for 2-Post Lifts

SURFACE MOUNT LIFT PARTS FOR:

Acanus	Gemini	Quality
Ammco**	Gilbarco	Ranger
Alamo /	Globe	Ravaglioli
ASSSA	Grand	Rotary Lifts
ALM	Hofmann	Silent Tech
AMI	Hyalifit	Slift
Ashawa	Ime Istobal	Somers Souriau
Ben Pearson	Kismet	Stenhof
BendPak	Kimm	Stertil Koni
Benwil	Koni	Sun
Bishamon	Launch	Tecalemit
Boston	Laycock	Titan
Bradbury	Lincoln	Weaver
Cascos	Maha	Werther
Consul	Manitowoc Lifts	Western
Challenger	Mohawk	Westinghouse
Force	Nussbaum	Wheeltronic
Ford Smith	OMA	Worth
Forward	OMCN	Zippo
Fuchs/Zippo	PMW	

IN-GROUND LIFT PARTS FOR:

Benwil	Gilbarco	PKS Lifts
Challenger	Globe	Rotary
Cochin	HDL/ISS Innovative	US Hoist
Curtis	Joyce	Weaver
Ford Smith	Manitowoc Lifts	Western

AIR COMPRESSOR PARTS

- Air Receiver Tanks • Compressor Mufflers
- Automatic Tank Drain Valve for Champion Compressors
- Filters—Many OEM Ref Available!
- Filters, Regulators, Lubricators
- Intake Filter Products
- Milton Air System Products
- Re-Coil Hose • Valves
- Vibration Dampening Pads & much more!

BRAKE LATHES REPAIR PARTS

- Brake Lathe Repair Parts and Accessories for All Makes

EXHAUST REMOVAL SYSTEMS & PRODUCTS

FLUID DELIVERY SYSTEMS

- Lenz Fittings
- Steel Hydraulic Line Tubing and Fittings
- Strut and Hangers

HOSE REELS

HYDRAULIC CYLINDERS

- Custom Single-Acting Large Bore Cylinders
- Also see "Lifting Equipment"

LIFTING EQUIPMENT

- New In-Ground Lifts—Car, Truck & Bus
- Small Equipment Shop Maintenance (SESM) Lifts for lifting Landscape Equip. ATVs / UTVs, Motorcycles, Lawn Mowers, Golf Carts and More!
- Custom Lifting Equipment incl. Production Line Lifts, Rail Car Lifts and More
- Custom Hydraulic Cylinders for Various Applications
- Turf Attachments for 2-Post Lifts
- In-Ground Lift Sections and Kits
- And more!

EASY TO ORDER:
800-321-8173
815-748-0200
 Fax: 800-899-1784 • 815-748-021C
 E-Mail: parts@sviintl.com
www.sviinternational.com

LUBRICATION & PAINT / FOAM SPRAY REPAIR PARTS & KITS FOR:

- Alemite • ARO • Balcrank • Graco • Lincoln

PETROLEUM EQUIPMENT & REPAIR PARTS FOR:

- Gas Pump & Meter Kits and Parts for Gasboy • Tokheim • Fill-Rite
- Including Parts for Older Pumps: Wayne • Bennett • Gilbarco • Bowser A.O. Smith (Geosource) • Southwest

HYDRAULIC SEALS AND KITS

SHOP EQUIPMENT

- Hein-Werner Products • Omega Products
- Porto-Power • Pro-Lift

TIRE EQUIPMENT REPAIR PARTS

- Tire Changer and Wheel Balancer Parts for All Makes

Accu-Turn	Coats**	John Bean /	Sicam
All Tool	Corghy	(JBC)	Sice
Ammco**	FMC	Kwik-Way	Snap-On
BaseLine**	Giuliano	Launch	Teco
Bosch	Hofmann	Nussbaum	Tuxedo
Cemb	Hunter	Ranger	

VALVES

- Air Compressor Valves of All Types
- Air and Hoist Control Valves • Ball Valves
- Check Valves • Kingston Valves
- Pressure Relief Valves • Relief Valves
- Safety Valves • Solenoid Valves
- Tire Changer Valves • And More!

CUSTOM PRODUCTS

And let us know if you want something you use in your shop to be added to our product line!

DIRECT FIT™ In addition to SVI's DIRECT FIT™ BRAND, we are proud to be a one-stop shop for many other great products including:



2 Ready-Ship Warehouses for Faster Shipping! | **CHICAGO • LOS ANGELES**

Main Office: 155 Harvestore Drive • DeKalb, IL 60115

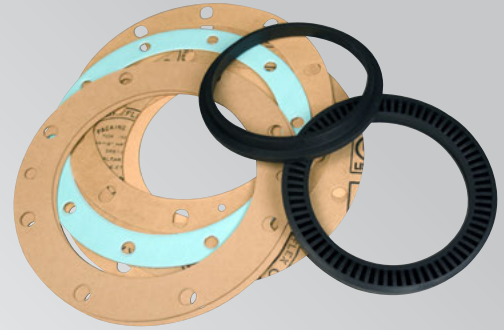
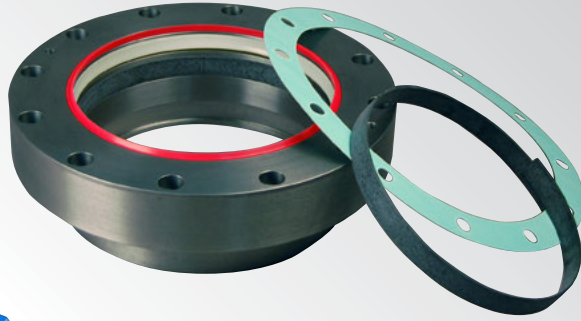
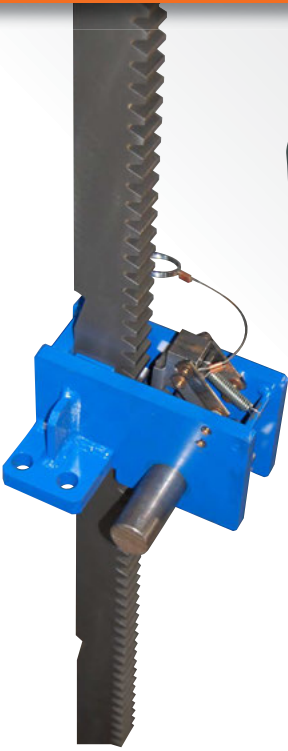
All names, numbers, symbols and descriptions are used for reference purposes only. It is not implied that any part listed is the product of these manufacturers. 01.11.2024
 SVI does not represent and is not associated in any way with any other companies. Entire contents copyright © January 11, 2024 7:06AM, SVI International, Inc. Prices subject to change without notice.
 *AMMCO, BASELINE, COATS and DUCKHEAD are registered trademarks of Hennessy Industries, Inc. SVI International, Inc. is not associated in any way with Hennessy Industries, Inc.

**TERMS AND CONDITIONS OF THE
SALES ORDER
FOR SVI INTERNATIONAL, INC.**

1. **GENERAL.** The terms and conditions of sales order outlined herein shall apply to the sale by SVI INTERNATIONAL, INC. (hereinafter referred to as "Company") of the items described on the facing page (hereinafter referred to as "Merchandise") to Purchaser.
2. **DELIVERY.** Delivery shall be deemed to be complete when the Merchandise has been shipped F.O.B. Company's plants in DeKalb, Illinois, and Montclair, California; ("Company's plants"). Shipments are subject to delays from causes or contingencies beyond the reasonable control of the Company. When otherwise not specified, shipments will be made in standard containers via carrier which, in the judgment of the Company, will result in the most practical method. Title and right of possession will pass to the Purchaser upon receipt by the carrier at the shipping point. If a customer of the Company should specify a specific carrier's method of shipment (i.e., UPS Next Day Air) and that carrier does not perform to the customer's expectations, freight credit to a customer's account will not be issued unless the Company can first obtain a credit.
3. **RISK OF LOSS.** Identification of the Merchandise under Uniform Commercial Code (hereinafter referred to as "UCC") Section 2-501 shall take place at the moment of shipment F.O.B. Company's plants. Risk of loss shall pass to the Purchaser when the Merchandise is shipped from the Company's plants.
4. **TITLE.** Title to the merchandise shall transfer to the Purchaser when the Merchandise is shipped from the Company's plants.
5. **WARRANTIES.** The Company guarantees its products to be free from defects in workmanship and raw materials for a period of one year from date of purchase. THIS WARRANTY IS EXPRESSLY IN LIEU OF ANY AND ALL WARRANTIES EXPRESS OR IMPLIED. COMPANY DOES NOT WARRANT THE MERCHANDISE IS MERCHANTABLE OR FIT FOR ANY PARTICULAR PURPOSE. Company's liability for breach of the terms of this Agreement, including any warranty, is limited to either refund of the invoice price of the Merchandise or at Company's option, replacement of the Merchandise free of charge, including transportation charges but not including the cost of labor. Purchaser has not relied on any statement or upon the conduct of Company with respect to the prospective use of the merchandise. Company shall not be liable for, and Purchaser waives any and all claims for any loss or damage, directly or indirectly, arising from the use of the Merchandise and for punitive, incidental or consequential damages, including, but not limited to, damages to property, for loss of use, loss of time, loss of profit or loss of income. The Company does not authorize the sale of our products under any other warranty, expressed or implied. **Please note:** Electrical components and cylinder or shaft seals are not covered under warranty.
6. **SETOFF.** All claims for money due or to become due from the Company shall be subject to deduction by the Company for any setoff or counterclaim arising out of this or any other claims of the Company or its affiliated companies, whether such setoff or counterclaim arose before or after any assignment by Purchaser.
7. **INDEMNIFICATION.** Purchaser agrees to indemnify the Company and hold it harmless from and against all claims, liability, loss, damage, or expense, including reasonable counsel fees, arising from or by reason of any modifications or alterations made by Purchaser. If a customer of the Company modifies or alters any part, in any manner whatsoever, or uses any part in departure from recommended performance specifications, said customer agrees to indemnify and hold the Company harmless from and against all liability and expenses based on damage to property or injury to or death of any person arising out of or attributable to such modified or altered part. Further, the Company will not accept any such modified or altered part for credit to a customer's account.
8. **FREIGHT POLICY.** Freight charges are prepaid and added to invoice or collect FOB shipping point. Note: All customers are responsible for all carrier shipping costs, fees, surcharges, etc. including order refusal and return fees.
9. **RETURN POLICY.** To return a part for credit or inspection, Purchaser must first contact our Main Office in Illinois, to obtain a Return Merchandise Form. Once Purchaser has obtained this form, the parts can be returned freight prepaid only. The Return form must be included with the shipment. Parts returned to the Company without the approved form will be returned freight collect to the shipper or refused. Returns must be initiated within 30 days of the invoice date. The Return Forms are valid for 30 days, from the date of issue. All Returns are subject to restocking charges. Return parts brought into our remote warehouses, will not be accepted by our personnel, without a Return Merchandise Form from the Main Office. Parts which have been used in any way or manner, including any installation or incorporation into a lift, hoist, or other equipment, shall NOT be eligible for return whether or not a Return form has been assigned. **Please note: Electrical parts or components are not returnable for credit.** This includes all switches, pushbuttons, relays, electric motors, capacitors, fuses, solenoids, power units with wiring issues or any other electrical items. Custom, built to order, special order, and non-stocked genuine parts are non-returnable.
10. **RESTOCK CHARGE.** Returns are subject to a restocking charge. Refusals are subject to the same restocking charge plus the cost of outbound and return freight charges and/or fees incurred by the Company due to shipment refusal.
11. **PRICES AND PAYMENTS.** All prices are subject to change without notice. All prices are F.O.B. shipping point. The Company standard terms are net 30 days, C.O.D. company check, C.O.D. cash, VISA, MasterCard, Discover or American Express. However, if in the judgment of the Company, the financial condition of the Purchaser at any time does not justify shipment according to standard terms of payment, the Company may require full or partial payment in advance.
12. **INTERPRETATION.** This sales order is intended by the parties as a complete and exclusive statement of the terms of their agreement. It supersedes all prior agreements, written or oral. No course of prior dealings between the parties and no usage of the trade shall be relevant to supplement or explain any terms used in this sales order. Acceptance or acquiescence in a course of performance rendered under this purchase order shall not be relevant to determine the meaning of this sales order even though the accepting or acquiescing party has knowledge of the nature of the performance and opportunity for objection. Whenever a term defined by the UCC is used in this sales order the definition contained in the UCC shall control.
13. **MODIFICATION.** This sales order can be modified or rescinded only by a writing signed by both parties.
14. **WAIVER.** No claim or right arising out of a breach of this sales order can be discharged in whole or in part by a waiver or renunciation of the claim or right unless such waiver or renunciation is supported by consideration and is in writing signed by the aggrieved party.
15. **ASSIGNMENT.** No right or interest in this sales order shall be assigned by either party without the written consent of the other and no delegation of any obligation owed, or of the performance of any obligation by either the Company or Purchaser shall be made without the written consent of the other party. Any attempted assignment or delegation not made in conformity with this paragraph shall be wholly void and totally ineffective for all purposes.
16. **TIME TO PERFORM AND BRING ACTION.** Time is of the essence of this sales order. Any action for breach of this sales order shall be commenced within two (2) years after the cause of action has accrued. Any party who loses any litigation shall reimburse the other party for costs including reasonable attorney's fees. The exclusive jurisdiction for any legal action shall be the Circuit Court of DeKalb County, Illinois.
17. **APPLICABLE LAW.** This sales order shall be governed by the UCC of Illinois as effective and in force on the date of this sales order.



SVI IS YOUR ANSWER!



- Air Compressor Parts and Filters
- Auto Lift Parts for Any Brand
- Auto Lift Cables and Chain
- Auto Lift Power Units and Parts
- Auto Lift Sheaves / Pulleys and Chain Rollers
- Brake Lathe Repair Parts for All Makes
- Exhaust System Products
- Fluid Delivery Repair Parts
- Hose Reels and Hose Stops
- In-Ground Auto Lifts
- Lubrication Equipment Repair Parts
- Petroleum / Service Station Pump and Tank Products
- Repair Parts for Gasboy Consumer Series
- SESM Lifts for ATV/UTV, Golf Cart and More!
- Tire Changer Repair Parts
- Transfer Pumps
- Turf Attachments for 2-Post Lifts
- Vehicle Lifting Systems
- Wheel Balancer Accessories



SVI International, Inc.

155 Harvestore Drive • DeKalb, IL 60115

800-321-8173 • 815-748-0200

FAX: 800-899-1784 • 815-748-0210

E-MAIL: parts@sviintl.com

Entire contents copyright © 2024, SVI International, Inc.

Information and Catalogs Online:
www.sviinternational.com