



DIRECTFIT™
Auto Lift Repair Parts and Accessories for
Ammco®*

Automotive Shop Equipment | Auto Lift Repair Parts

The Industry's Largest Selection of Auto Lift Repair Parts



DIRECTFIT™
SVI's DIRECT FIT™ BRAND

SVI International, Inc.
155 Harvestore Drive • DeKalb, IL 60115
800-321-8173
815-748-0200
www.sviinternational.com

BALTIMORE • CHICAGO • LOS ANGELES



Did You Know?

Ammco®* produced some lifts of their own, but many were also private-labeled from other companies such as Wheeltronic, Ben Pearson, Challenger, and others



DIRECTFIT™
SVI's DIRECT FIT™ BRAND

Table of Contents

Height Extensions, Pads and Adapters 3-5
 Commonly Requested Parts..... 6-9
 Cables Quick Reference for All Models... 10-11
 AF 7 / AF 9..... 12-15
 AO 9 16-19
 AL 7 20-26
 ART / ARTO / TPA / TPAO..... 27-33
 B2700 / B2900..... 34-36
 ACD210S..... 37-38
 LTC 9..... 39-42
 QLR 2000 43-48
 Turf Lift Attachments..... 49
 More from SVI 50

BALTIMORE • CHICAGO • LOS ANGELES

(800) 321-8173 • fax: (800) 899-1784

www.sviinternational.com

Looking for additional model breakdowns?

No matter the model—Contact SVI today for repair parts for your Ammco®* Lifts.

2 POST:

AF 7 / AF 7A /
 AF 9 / AF 9B
 AL 7 / APL 7
 AO-7 / AO-9 / APO-7 /
 APO-9
 ART7 / ARTO7
 B2125 / B2126 / B2127
 B2151 / B2152
 B2700 / B2900 Series
 B2900CS
 B2900V / B2900V-1 /
 B2900V-2
 B2908 / B2907
 LMO-7
 S21NSPR1

S21NS Series / S21NX
 S21SS / S21SX
 S29A Series
 S29TS
 S212AR Series
 S212SX Series
 S215A Series
 S290
 S290L Series
 S290S Series
 4TV21NSR/B 1/3 /
 4TV21NXR/B 1/3 /
 4TP21NSR/B 1/3 /
 4TP21NXR/B 1/3
 10AD

AC212SE
 AC21NS
 ACD210S
 SV210S Series
 D210S Series
And Others!

4 POST:

B4120SN / B4120LN /
 B4120SW / B4120LW
 LTC-9
 QLR-2000
 4T414SOS0 R/B 1/3 /
 4T414SOX0 R/B 1/3 /
 4T414AOS2 R/B 1/3 /
 4T414AOX2 R/B 1/3
 S412C_S Series
 S412C_S Series
 S412OS Series
 S418CX Series
 S412OX Series
And Others!

LOW RISE / MID RISE / SCISSOR:

ACL10P Series
 2230
 2250
 MR6000
 SS90OS / SS90CX Series
And Others!



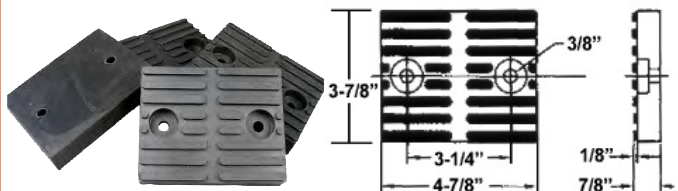
ROLLING JACKS:

2295-A
 2296
 STJ9000H
 TJ Trak Jak
And Others!

P
a
g
e
2

Height Extensions, Pads and Adapters See our Height Extension Catalog for more options.

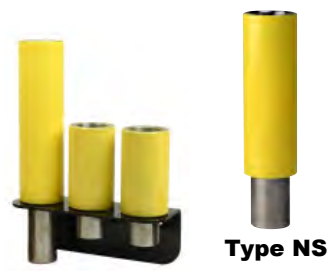
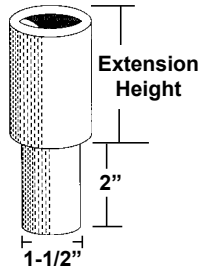
Many more styles available for any make or model—See SVI's Height Extensions & Adapters Catalog

<p>1-1/2" PIN OD BH-7101-01C (Ref 82591, 82361 - Base) Adapter Base and Pad</p>  <p>Replacement Pad: BH-7101-00</p>	<p>1-1/2" PIN OD BH-7101-01FC Adapter Base & Pad Assembly Replacement Pad: BH-7101-00 Also See BH-7101-01C</p>  <p>Also: BH-7101-01F (Ref 82361) Adapter Base Only - Formed 1-1/2" Diameter Pin (No Pad)</p>	<p>FOR AMMCO®, BEN PEARSON, CHALLENGER, MANY</p> <p>Rectangle Rubber Arm Pad (Replaces Ref 82365, 82365-KIT, others) BH-7101-00 • 1 Pad BH-7101-00-4 • Kit of 4 Pads with Fasteners</p> 
--	---	---

1-1/2" PIN OD • 2" PIN LENGTH • EXTENSION HEIGHT VARIES (LISTED BELOW)
 For ALM, Ammco® Lifts, Ben Pearson, Challenger Lifts, Rotary Lifts, and others

Nesting Style Height Extension

BH-7101-02 (Ref 81693, 27984, 91560)	2-5/8" Extension Height
BH-7090-14	3" Extension Height
BH-7101-04 (Ref 81692)	3-1/2" Extension Height
BH-7090-15	4" Extension Height
BH-7101-03 (Ref 81691, 27982, 91562)	5" Extension Height
BH-7090-16	6" Extension Height
BH-7090-17	7" Extension Height
BH-7500-95 (Ref FJ6145)	Hanger Bracket Rack (without hardware)


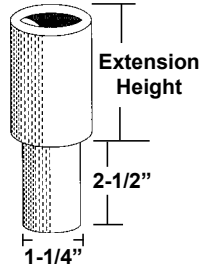



1-1/4" PIN OD • 2-1/2" PIN LENGTH • EXTENSION HEIGHT VARIES (LISTED BELOW)
 For Ammco® Lifts (Newer) Models S21SS, S21SX, S290L, Wheeltronic Models 1492SA, 1776SVLG, others

Nesting Style Height Extension

BH-7793-45 (Ref 1-1993)	3-1/4" Extension Height
BH-7793-45L (Ref 1-1993x)	4-1/2" Extension Height
BH-7796-04 (Ref 2-1580)	6" Extension Height

Hanger Bracket Rack available—Just ask.

TYPE
GMT
 7" Wide
 Lifting Area

Specialty Lift Adapters
FOR 2019, 2020 AND NEWER
Chevrolet 1500 Silverado
and GMC Sierra Truck Models


 Made in the USA

Various styles available for most any lift make or model.
Call SVI today for specialty adapters specific to your lifting needs.



Height Extensions, Pads and Adapters See our Height Extension Catalog for more options.

DIRECTFIT™
SVI's DIRECT FIT™ BRAND

Whether it's standard or custom, SVI is your answer.

Don't see what you need?

Contact SVI today!

800-321-8173

parts@sviintl.com

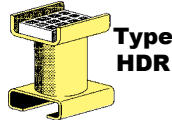


Insist on SVI Direct Fit™ brand Products!

FOR CHALLENGER LIFTS, AMMCO®* (NEW) & VBM

Fixed Slip-On Height Extension with Rectangle Pad

Fits over BH-7225-01 Rubber Pad



Type HDR

Opening Dimensions:
6-1/8" x 1"

Replacement Pad: BH-7205

- BH-7227-31 • 3" Extension
- BH-7227-32 • 4" Extension
- BH-7227-33 • 5" Extension
- BH-7227-34 • 6" Extension
- BH-7227-35 • 7" Extension
- BH-7227-36 • 8" Extension
- BH-7227-37 • 9" Extension
- BH-7227-38 • 10" Extension
- BH-7227-39 • 11" Extension
- BH-7227-40 • 12" Extension

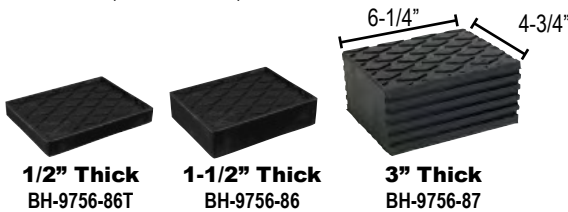
UNIVERSAL | FOR MANY MAKES & MODELS

Rubber Adapter Blocks (Stack Pads) • 4-3/4" x 6-1/4"

BH-9756-86T (Ref SB700071Y) 1/2" Thick

BH-9756-86 (Ref FJ2427) 1-1/2" Thick

BH-9756-87 (Ref FJ2428x) 3" Thick



1/2" Thick
BH-9756-86T

1-1/2" Thick
BH-9756-86

3" Thick
BH-9756-87

UNIVERSAL | FOR SPORT CARS!
FOR LOW PROFILE VEHICLE APPLICATIONS

Rubber Riser Pad

SC-8150-25 1 Pad

SC-8150-25-4 Kit of 4 Pads

Use SVI's Rubber Riser Pads to raise low-profile cars up higher from the floor for easier placement of 2-post swing arms



Features Handle for Easy Placement



2-1/2" Tall

Outer Arm Adapter with Rubber Pad for Any Lift

BH-7090-97 • For 3-1/2" Wide Arm

BH-7090-94 • For 4" Wide Arm

BH-7090-98 • For 4-3/4" Wide Arm

BH-7090-95 • For 5" Wide Arm

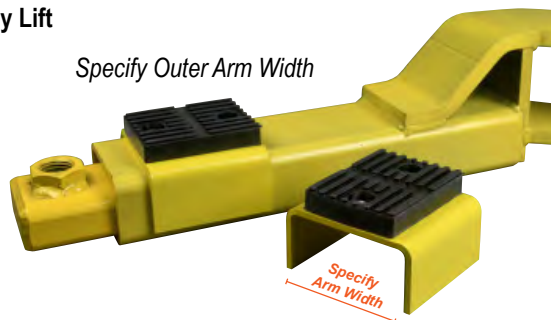
BH-7090-96 • For 6" Wide Arm

Works well with Toyota GR Supra and Low-Profile Cars

Replacement Pad: BH-7101-00



Specify Outer Arm Width



Height Extensions, Pads and Adapters See our *Height Extension Catalog* for more options.

FOR CHALLENGER, AMMCO, LAUNCH, OTHERS

Octagon Heavy Duty Rubber Pad vs. Urethane Pad

An SVI Exclusive for Challenger CL-10 and many others

SVI is offering this Heavy-Duty Rubber Pad as an alternative to the Urethane Snap-In Pad (Ref A1104-H) that you have been ordering. The issue we've found with the Urethane Pad is called "compression set". With the weight of the vehicle pressing down on the urethane pad, it is pancaking or compressing the pad outward. The urethane does not rebound well and takes a compression set. As the urethane pad gets wider and wider against the two solid sides it is rejected from expanding horizontal and subsequently bows upward causing the undesirable outcome and appearance. This new Heavy-Duty Rubber Arm Pad is the better choice for your application.

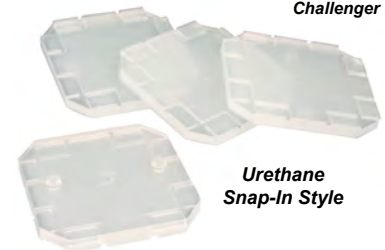


Heavy Duty Bolt-On Style Rubber Arm Pad

Each pad is produced from a special 3/8" thick 2-ply durable reinforced material to increase service life.



An example of a "compression set" urethane pad on Challenger Lift

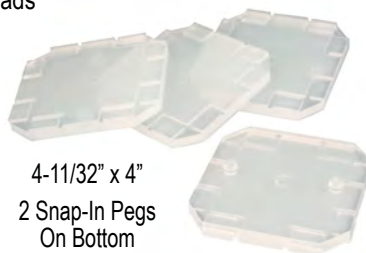


Urethane Snap-In Style

FOR CHALLENGER, AMMCO, LAUNCH, OTHERS

Snap-In Urethane Pad (Ref A1104-H, A1104H)

- BH-7232-01U 1 Pad
- BH-7232-01U-4 Set of 4 Pads



4-11/32" x 4"
2 Snap-In Pegs On Bottom

- Heavy Duty Bolt-On Rubber Arm Pad** An SVI Exclusive
- BH-7232-01OHD 1 Pad
- BH-7232-01OHD-4 Set of 4 Pads

The Better Choice! **Does Not Curl Up Like Urethane!**

An Alternative to **◀ Snap-In Urethane Pad** (Ref A1104-H, A1104H)



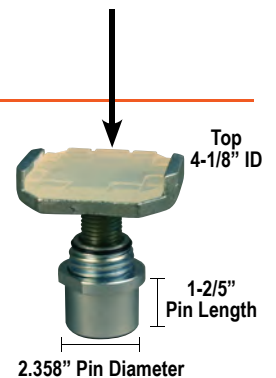
3/8" Thick 2-Ply

Replace your snap-in urethane pads with SVI's Bolt-On Rubber Pad Alternative—The Better Choice!

THIS ADAPTER WITH URETHANE SNAP-IN PAD IS COMMON ON CHALLENGER, AMMCO, LAUNCH, MAGNUM, QUALITY LIFTS, AND OTHERS

- BH-7232-01UPB** (Ref B2270)
- Drop-In Adapter / Foot Pad Assembly with Urethane Pad**
- Works well with BH-7234-119 (ref 10315) Height Extension Kit

Replacement Pad: BH-7232-01U (Ref A1104H, Urethane) or BH-7232-01OHD (Rubber)



Top 4-1/8" ID
1-2/5" Pin Length
2.358" Pin Diameter

Many more styles available for any make or model—See SVI's Height Extensions & Adapters Catalog



SVI's Product Line is Vast

CONTACT US TODAY IF THERE'S SOMETHING YOU CAN'T FIND

800-321-8173 • 815-748-0200 • www.sviinternational.com



Shims for 3/4" Wedge and Screw Anchors

Color Coded Shims are In-Stock! Order Today!

BH-7512-92 Assortment 150 Shims (50 each)

BH-7512-90 1/16" Blue Pack of 50

BH-7512-91 1/8" Red Pack of 50

BH-7512-89 1/4" Black Pack of 50

HEAVY DUTY PLASTIC SLOTTED SHIMS

Extra-thick shims make it easy to level and align 2- and 4-post surface mount lifts. These rugged plastic shims will not corrode, rot or rust. A must-have for every professional lift installer in the industry.



Installation Kits Available

Installation Supplies

- Carbide Drill Bits
- Core Bits *Many Sizes Available!*
- Epoxy and Adhesives *Available!*
- Wedge Anchors
- Screw Anchors
- Rebar Cutters and Adapter
- Rod Seal Install Tools
- Safety & Inspection Stickers



Simpson Carbide Drill Bits *Many Options and Sizes Available!*

BH-7064Q-12-21 (Drilling Depth 16" / 3/4" dia.) SDS Max Quad Head Bit

BH-7065Q-12-23 (Drilling Depth 18" / 3/4" dia.) Spline Shank Quad Head Bit

BH-7065Q-12-16 (Drilling Depth 11" / 3/4" dia.) Spline Shank Quad Head Bit



Wheel / Tire Hanger Kits

Increase Efficiency • For Any Budget



SF-92100
Set of 2

BH-7545-70K-4 Kit of 4
BH-7545-70K Individual
Includes Hardware



Wedge Anchors
Many Sizes Available!
BH-7075-03
3/4" x 5-1/2"

*Ask How to Get
Free Shipping on
Wedge Anchors!*



Screw Anchors
Many Sizes Available!
BH-7075-26
1/2" x 4"

BH-7075-37
3/4" x 5"



Rod Seal Install Tool Set
BH-7079-01
Includes 3 Install Tools
to Service 3/4" ID Seals
up to 3" ID Seals



Inspection Stickers
Roll of 250
BH-7011-11

ASK FOR OUR INSTALLATION SUPPLIES CATALOG

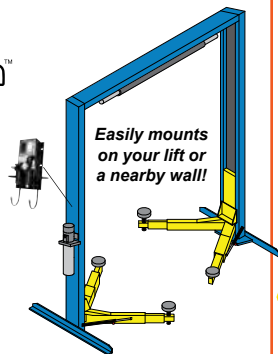
Air / Hydraulic Pumps for Rolling Bridge Jacks

Options Available—Call Today!



**POWER STATION™
AIR / ELECTRIC
UTILITY BOX**

4 Colors Available



*Easily mounts
on your lift or
a nearby wall!*

Vehicle Lifts and Lifting Equipment

New Lifts for Cars, Trucks, Buses, Motorcycles, UTVs and More

Replacement Cylinders Sections & Kits • Turf Trays for 2-Post Lifts



SVI's Product Line is Vast

CONTACT US TODAY IF THERE'S SOMETHING YOU CAN'T FIND

800-321-8173 • 815-748-0200 • www.sviinternational.com

INCREASE EFFICIENCY • ELIMINATE COSTLY DAMAGE TO DOORS • REDUCE STRESS OF SHOP TECHNICIANS

doorjammer **PRO**™
Durable • Impact Resistant

A Must-Have for All 2-Post Lifts!

Available in 2 Sizes!

- BH-7077-02-2S 12" tall x 18" wide
- BH-7077-02-2 24" tall x 18" wide

Prevents Door Dings!
Just one damaged door can cost
3 times as much as a simple investment
in one SVI doorjammerPRO™.



Auto Lift Cables and Chain Sheaves / Pulleys / Chain Rollers



TURF AND UTILITY TRAYS

FOR 2-POST LIFTS
SYMMETRIC / ASYMMETRIC

*The #1 Choice for
Symmetric or Asymmetric
2-Post Surface Mount Lifts
and In-Ground
Side-By-Side, too!*



Hose Reel Hose Stops

Options Available—Call Today!



Auto Lift Power Units and Parts

Call SVI today!



Tire Changer Parts and Accessories

For Most Makes and Models

See our *Tire Changer Repair Parts Catalog!*



Brake Lathe Repair Parts

For Most Makes and Models

See our *Brake Lathe Repair Parts Catalog!*





Commonly Requested Parts for Ammco® Lifts

DIRECTFIT™

SVI's DIRECT FIT™ BRAND



Threaded Segment

*For Double-Wing Mount
Use with Spring BH-7100-45*
BH-7103-09 (Ref 84386)



Spring

Goes with BH-7103-09
BH-7100-45
(Ref 84387)



Threaded Segment

*For Single-Wing Mount
Has groove for snap ring.
Use with Spring BH-7103-05*
BH-7103-06 (Ref 85327)



Spring

Goes with BH-7103-06
BH-7103-05
(Ref 85329)



Arm Lock Bar - LONG
(A SERIES) • 12-3/4" x 3/4"
BH-7103-03 (Ref 84415)

Arm Lock Bar - SHORT
(A SERIES) • 8-1/2" x 3/4"
BH-7103-04 (Ref 84186)



Slider Block (1)
4.93" X 1.25" X 1.97"
BH-7110-01A
(Ref 84926)



Also available:
Slider Block (1)
5" X 1.25" X 1.25"
BH-7110-01
(Ref 82816)



Half Moon Gear for Ammco S290LR1, S21SS, S21SX, SV210S, D210S, others
BH-7806-31 (Ref 1-2618)



Safety Release Cable Assembly
BH-7100-40
(Ref 84573)



Cable Sear with Nut
BH-7103-08
(Ref 84590)

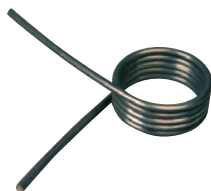


1-3/4" OD Lock Release Pulley
BH-7104-08
(Ref 83903)



Torsion Spring
BH-7110-15
(Ref 100344)

Need a different spring?
Let SVI know!



Safety Latch Spring
BH-7110-13
(Ref 81072)



Air Cylinder for Lock Release
Confirm hole size
BH-7102-97 (Ref 91787)

Commonly Requested Parts for Ammco®* Lifts

DIRECTFIT™

SVI's DIRECT FIT™ BRAND



Seal Kit for Cylinder 82803
For 82803 Massey Ferguson Cylinder with Hex Bleeder
BH-7100-76 (Ref 83339)



Seal Kit for Cylinder 82803
For 82803 Holmac Cylinder with Allen Bleeder
BH-7100-77 (Ref 82860)



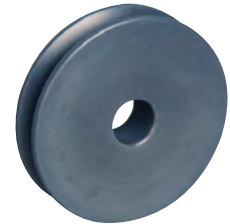
Hose Assembly
BH-7102-89
(Ref 84933)



Cover - Pump Side
BH-7101-35
(Ref 83924)



Equalizer Cable for Ammco Lift B2900V
BH-7226-94V (Ref 86060)
SVI has the cable you need—Call Today!



Equalizer Cable Sheave / Pulley
3-7/16" OD x 3/4" wide x 3/4" Pin Hole
BH-7104-04 (Ref 84395)
Many sheaves available!



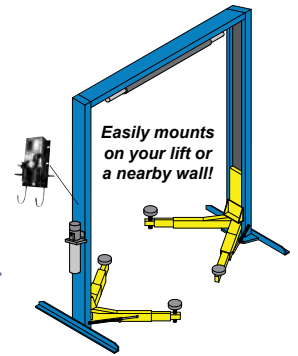
Seal
BH-7104-33
(Ref 31491)



O-Ring Seal
BH-7104-34
(Ref 27100)



POWER STATION™
AIR / ELECTRIC UTILITY BOX
4 Colors Available



Lock Latch Assembly Kit for AL 7, AF7, AF9, AO9
BH-7101-46 (Ref 84836)

SVI is your answer!



Cable Quick Reference for Ammco® Lifts



CABLES FOR 2-POST LIFTS

Also see SVI's Cable Reference Book

Many standard and custom cables available!

Don't see your cable? Call today!



SVI Cable #	Ref #	O.A.L.	Dia.	Fits Lift Models
BH-7232-53	A2115-0	33' 11"	5/16"	2-Post AC21NS
BH-7232-54	A2115-2	37' 8"	5/16"	2-Post AC21NS (Extended Height 2')
BH-7232-55	A2115-3	39' 11"	5/16"	2-Post AC21NS (Extended Height 3')
BH-7234-02	JSJ6-04-00	36' 7"	3/8"	2-Post AC212SE
BH-7234-02H	JSJ6-04-00H	40' 6"	3/8"	2-Post AC212SE (Extended Height EH2)
BH-7100-38	86094	32' 5-3/8"	5/16"	2-Post ACD210S
BH-7234-412	JSJ5-04-00CH	32' 5"	3/8"	2-Post ACD210S
BH-7234-412F	JSJ5-04-00CH	32' 7"	3/8"	2-Post ACD210S
BH-7100-35	84892	27' 1"	5/16"	2-Post AF 7, AF 9
BH-7106-09	86012	32' 2-3/4"	1/4"	2-Post AL-7 (New Style)
BH-7106-10	86013	32' 5-1/2"	1/4"	2-Post AL-7 (New Style)
BH-7103-10	84713-5			2-Post AL-7S
BH-7106-01	84713	32' 1/4"	1/4"	2-Post AL-7 146" Column Short
BH-7106-02	84714	32' 3-1/4"	1/4"	2-Post AL-7 146" Column Long
BH-7100-19	84916	33' 5"	5/16"	2-Post AO 7, AO 9, APO7, APO8, APO9
BH-7103-28	83689-5	32' 7"	5/16"	2-Post AO 9 Short, AO-S
BH-7112-57	84916-5			2-Post AO-S Series
BH-7115-59	86002	33' 4-1/2"	5/16"	2-Post APO7
BH-7100-19	84916	33' 5"	5/16"	2-Post APO7, APO8, APO9, AO 7, AO 9
BH-7100-10	82743, 81920	27' 8-1/2"	9/32"	2-Post ART 5, TPA5,
BH-7100-01	81926	27' 8-1/2"	5/16"	2-Post ART 7, TPA7
BH-7100-01SS	81926-x	27' 8-1/2"	5/16"	2-Post ART7, TPA7 (stainless steel)
BH-7100-15	82742	34' 5-1/2"	9/32"	2-Post ARTO5, TPAO5
BH-7100-06	81927	34' 5-1/2"	5/16"	2-Post ARTO7, TPAO7
BH-7103-11	84714-5			2-Post AS-7S
BH-7234-275	12531	37' 11-3/4"	3/8"	2-Post B2125, B2126, B2127
BH-7234-03	12574			2-Post B2126, B2127 / Cable Extension
BH-7234-05	12100			2-Post B2151
BH-7234-06	12019			2-Post B2152
BH-7105-11	4B36006			2-Post B2700 / B2700M / B2700P / B2900
BH-7229-30	36036	33' 10"	1/4"	2-Post B2700 / B2900
BH-7231-20	38007	30' 6-3/8"	1/4"	2-Post B2900F
BH-7228-75A	36107	36'		2-Post For Lift with 1' Extension
BH-7228-75	36108	37' 9"	1/4"	2-Post B2900 with 2' Extension
BH-7226-94V	86060	32' 8"	1/4"	2-Post B2900V
BH-7232-20	A1115-0	32' 9"	1/4"	2-Post B2900V
BH-7232-20-K	A1003-0	32' 9"	1/4"	2-Post B2900V (Cable Kit of 2)
BH-7232-20A	A1115-1	34' 8"	1/4"	2-Post B2900V1
BH-7232-20A-K	A1003-1	34' 8"	1/4"	2-Post B2900V1 (Cable Kit of 2)
BH-7232-20B	A1115-2	36' 8"	1/4"	2-Post B2900V2
BH-7232-20B-K	A1003-2	36' 8"	1/4"	2-Post B2900V2 (Cable Kit of 2)
BH-7100-07	83689	33' 4-11/16"	5/16"	2-Post NDO7, NDO9, others
BH-7793-48	1-2039	30' 6-1/2"	1/4"	2-Post S21N, S21SS Series - 12' Column
BH-7793-59	1-2003	34' 6-1/2"	1/4"	2-Post S21N, S21SX Series - 14' Column
BH-7793-33	1-1786	29' 4"	1/4"	2-Post S29A, S290S, SV210S, D210S
BH-7793-11	1-1473	30' 1"	9/32"	2-Post S29TS
BH-7150-17	A93133-03	38'	3/8"	2-Post S212AR
BH-7793-57	1-2715	32' 10-1/4"	5/16"	2-Post S212SS
BH-7793-58	1-2667	36' 10-1/2"	5/16"	2-Post S212SX (14 FT. MODEL)
BH-7808-78	1-3291			2-Post S212SX
BH-7808-75	6-3118	38' 8"	3/8"	2-Post S215A
BH-7793-95	1-2119	28' 1-1/2"	1/4"	2-Post S290L

*All names, numbers, symbols and descriptions are used for reference purposes only. It is not implied that any part listed is the product of these manufacturers. *AMMCO is a registered trademark of Hennessy Industries, Inc. SVI does not represent and is not associated in any way with any other companies.



Cable Quick Reference for Ammco® Lifts

DIRECTFIT™

SVI's DIRECT FIT™ BRAND

CABLES FOR 4-POST LIFTS

Also see SVI's Cable Reference Book

Many standard and custom cables available! Don't see your cable? Call today!

SVI Cable #	Ref #	O.A.L.	Dia.	Fits Lift Models
BH-7100-24	81292	30' 0-3/16"	7/16"	4-Post LTC-9 R.F.
BH-7100-25	81291	24' 8-11/16"	7/16"	4-Post LTC-9 L.F.
BH-7100-26	81289	9' 7-29/32"	7/16"	4-Post LTC-9 L.R.
BH-7100-27	81290	14' 10-3/8"	7/16"	4-Post LTC-9 R.R.
BH-7796-11	2-1791	32' 8-1/2"	7/16"	4-Post S412C_S 172" Wheelbase L.F.
BH-7796-12	2-1677	32' 8-1/2"	7/16"	4-Post S412C_S 210" Wheelbase L.F.
BH-7796-18	2-1792	34' 8-1/8"	7/16"	4-Post S412C_S 172" Wheelbase R.F.
BH-7796-21	2-1678	37' 10-1/2"	7/16"	4-Post S412C_S 210" Wheelbase R.F.
BH-7806-12	2-1679	12' 2"	7/16"	4-Post S412C_S L.R.
BH-7806-13	2-1680	17' 4"	7/16"	4-Post S412C_S R.R.
BH-7794-14	2-0539	31' 4"	9/16"	4-Post S412CSA L.F.
BH-7794-15	2-0540	14' 10"	9/16"	4-Post S412CSA L.R.
BH-7794-16	2-0541	19' 5"	9/16"	4-Post S412CSA R.R.
BH-7794-17	2-0542	35' 7"	9/16"	4-Post S412CSA R.F.
BH-7795-54	2-1287	32' 3-1/2"	9/16"	4-Post S412OS L.F.
BH-7794-15	2-0540	14' 10"	9/16"	4-Post S412OS L.R.
BH-7794-16	2-0541	19' 5"	9/16"	4-Post S412OS R.R.
BH-7795-55	2-1288	36' 10-1/2"	9/16"	4-Post S412OS R.F.
BH-7795-92	2-1504	33' 8-1/2"	9/16"	4-Post S412OX L.F.
BH-7795-93	2-1505	13' 1-3/4"	9/16"	4-Post S412OX L.R.
BH-7795-94	2-1506	17' 9-3/4"	9/16"	4-Post S412OX R.R.
BH-7795-95	2-1507	38" 3-1/2"	9/16"	4-Post S412OX R.F.
BH-7795-67	2-1360	33' 11-1/2"	9/16"	4-Post S418CX L.F.
BH-7795-68	2-1361	39' 5-1/2"	9/16"	4-Post S418CX R.F.
BH-7795-69	2-1362	13' 6"	9/16"	4-Post S418CX L.R.
BH-7795-70	2-1363	19'	9/16"	4-Post S418CX R.R.
BH-7100-28	82458	34' 4-3/8"	7/16"	4-Post QLR-2000 R.F. Fits 5" Sheave
BH-7100-29	82457	29' 4-1/2"	7/16"	4-Post QLR-2000 L.F. Fits 5" Sheave
BH-7100-30	82455	12' 3-3/4"	7/16"	4-Post QLR-2000 L.R. Fits 5" Sheave
BH-7100-31	82456	17' 2-9/16"	7/16"	4-Post QLR-2000 R.R. Fits 5" Sheave
BH-7100-20	84170	35' 2-9/16"	7/16"	4-Post QLR L.F. Fits 8" Sheave
BH-7100-21	84171	30' 4-1/4"	7/16"	4-Post QLR L.F. Fits 8" Sheave
BH-7100-22	84172	18' 2-3/8"	7/16"	4-Post QLR L.R. Fits 8" Sheave
BH-7100-23	84173	13' 1-3/4"	7/16"	4-Post QLR R.R. Fits 8" Sheave

MANY MORE CABLES AVAILABLE

Also see SVI's Cable Reference Book

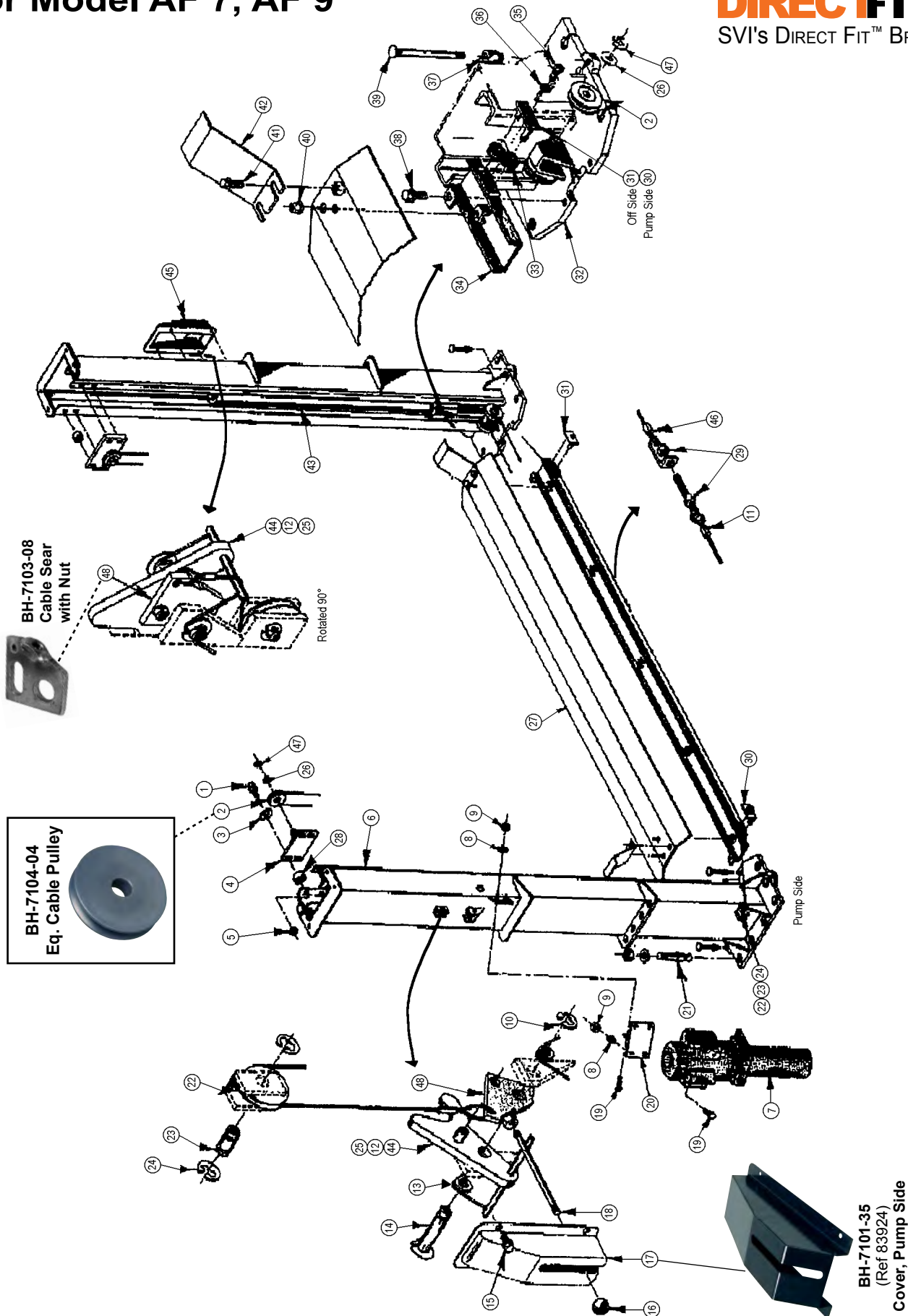
Many standard and custom cables available!

BH-7103-29	82272	28' 2-1/2"	5/16"	
BH-7103-30	82273	27' 7"	5/16"	
BH-7103-64	4S21680	17' 3-3/4"	7/16"	
BH-7103-65	4S21679	12' 1-1/2"	7/16"	
BH-7103-66	4S21678	37' 10-1/2"	7/16"	
BH-7103-67	4S21677	32' 9-1/2"	7/16"	
BH-7104-21	4B38019	30' 6-1/2"	1/4"	
BH-7806-13	2-1680	17' 4"	7/16"	
BH-7806-12	2-1679	12' 2"	7/16"	
BH-7796-21	2-1678	37' 10-1/2"	7/16"	
BH-7796-12	2-1677	32' 8-1/2"	7/16"	
BH-7793-48	1-2039	30' 6-1/2"	1/4"	
BH-7105-11	4B36006			
BH-7109-02	4S12039			



For Model AF 7, AF 9

DIRECTFIT™
SVI's DIRECT FIT™ BRAND



For Model AF 7, AF 9

DIRECTFIT™

SVI's DIRECT FIT™ BRAND

Item SVI #	OEM #	Req.	Description
1	BH-7112-30	100353	8 Hex Screw
2	BH-7104-04	84395	6 Sheave
3	BH-7112-29	100141	16 Washer
4	BH-7104-03	84598	2 Idler Support
5	BH-7112-28	301122	8 Nylock Nut
6	BH-7112-25	84442	1 Post AF 9 Pump Side
	BH-7112-26	84432	1 Post AF 7 Pump Side
	BH-7112-27	84440	1 Post AF 7A, 9B Pump Side
7	BH-7006-01	82957	1 Power Unit 1PH, 2 HP
8	BH-7112-24	100159	6 Lock Washer
9	BH-7112-23	100102	6 Hex Nut, 5/16"
10	BH-7100-88	100343	4 Retaining Ring
11	BH-7100-40	84573	1 Safety Release Cable
	BH-7101-47	100357	1 Clamp
12	BH-7103-13	83911	1 Rod Spring
13	BH-7110-15	100344	4 Torsion Spring
14	BH-7103-14	83908	2 Latch Shaft
15	BH-7112-21	106301	8 Self Tapping Screw
16	BH-7100-42	320	1 Safety Release Ball
17	BH-7101-35	83924	1 Cover - Pump Side
18	BH-7100-41	83906	1 Safety Release Handle
19	BH-7112-20	100198	6 Hex Screw
20	BH-7110-38	84434	1 Mounting Bracket
21	BH-7075-03L	80362	16 3/4" x 5-1/2" Anchor Bolt
22	BH-7104-08	83903	4 Lock Release Pulley
23	BH-7104-09	83904	4 Pulley Shaft
24	BH-7104-07	27112	8 E-Ring

Item SVI #	OEM #	Req.	Description
25	BH-7104-05	84837	1 Lock Latch Consisting of: 1 - #12 and 1 - #44
26	BH-7112-47	100359	6 Washer
27	BH-7112-46	83800	1 Cover Trough
28	BH-7112-45	84364	8 Spacer
29	F-HN-0250-20	3528	2 Hex Nut
30	BH-7112-43	83920	1 Bracket Idler Pump Side
31	BH-7112-42	83921	1 Bracket Idler Off Side
32	BH-7112-40	84431	1 Post AF 7 Off Side
	BH-7112-41	84441	1 Post AF 9 Off Side
33	BH-7106-06	14710	4 Horizontal Pulley
34	BH-7112-29	83922	1 Trough Assembly
35	BH-7112-38	6354	2 Hex Screw
36	BH-7112-37	6081	2 Lock Washer
37	BH-7100-44	84389	4 Rubber Grommet
38	BH-7112-36	100240	2 Hex Screw
39	BH-7101-30	84457	4 Short Release Rod
40	BH-7110-76	100239	2 Self Locking Hex Nut 3/8"
41	BH-7112-35	100342	4 Hex Screw
42	BH-7112-34	84586	2 Shield
43	BH-7112-32	84541	1 Hydraulic Cylinder Pump Side
	BH-7112-33	84341	1 Hydraulic Cylinder Off Side
44	BH-7101-46	84836	2 Latch Assembly
45	BH-7101-35	83925	1 Cover
46	BH-7112-31	83926	1 Cable Assembly Off Side
47	F-RR-5160-0750	100358	6 Retaining Ring
48	BH-7103-08	84590	2 Cable Sear



**Rubber Mount
BH-7100-44
(Ref 84389)**



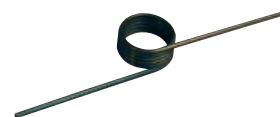
**Safety Release Cable
Assembly
BH-7100-40
(Ref 84573)**



**1-3/4" OD Lock
Release Pulley
BH-7104-08
(Ref 83903)**



**3-7/16" OD
Equalizer
Cable Sheave
BH-7104-04
(Ref 84395)**



**Torsion Spring
BH-7110-15
(Ref 100344)**



**Lock Latch
BH-7104-05
(Ref 84837)**

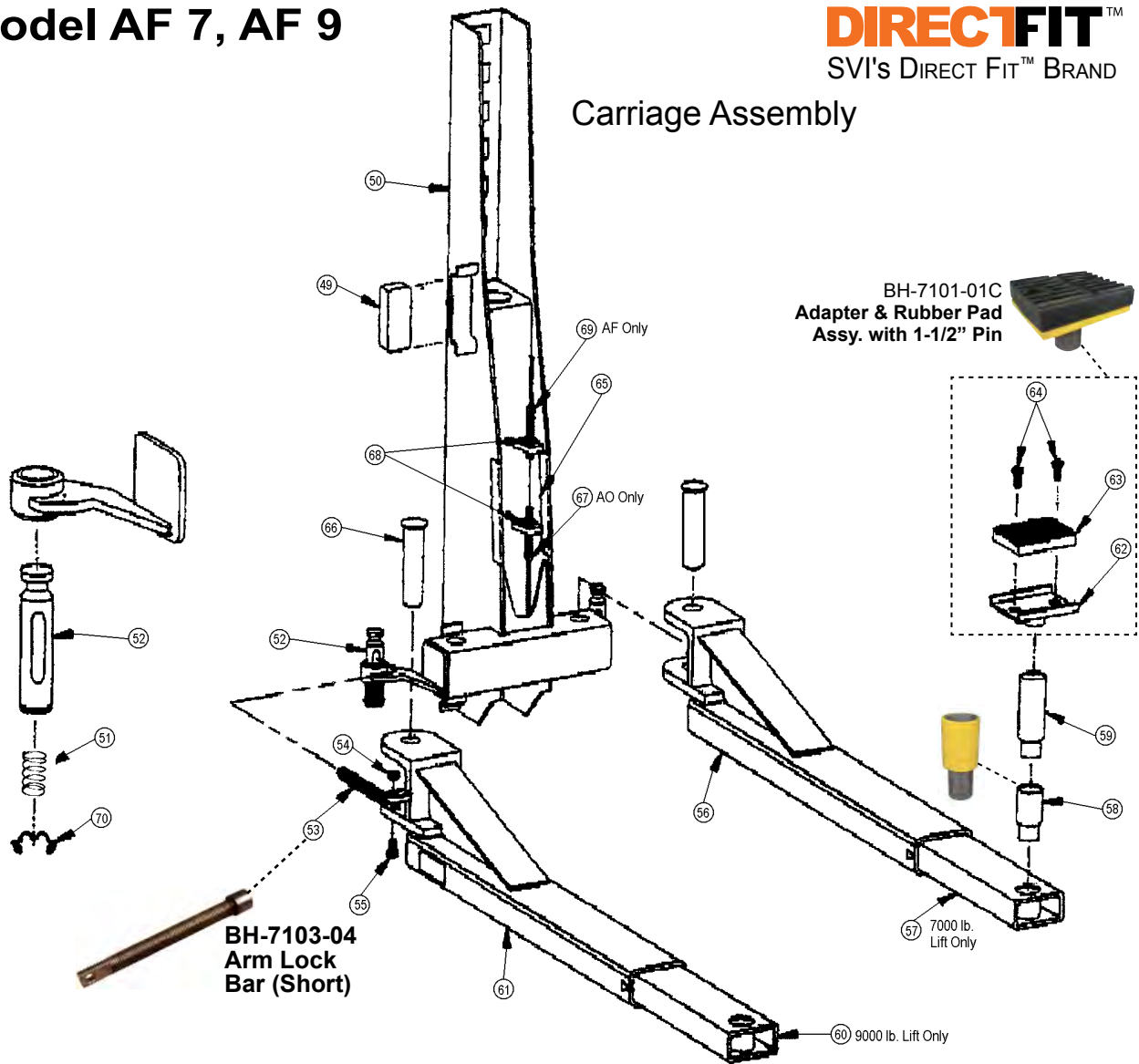


For Model AF 7, AF 9

DIRECTFIT™

SVI's DIRECT FIT™ BRAND

Carriage Assembly



Item SVI #	OEM #	Req.	Description
49	BH-7110-01A	8	Slider Block
50	BH-7112-48	2	Carriage
51	BH-7103-05	4	Spring
52	BH-7103-06	4	Threaded Segment
53	BH-7103-04	4	Arm Lock Bar Short
54	F-NL-0375-16	4	Nylock Nut
55	BH-7110-48	4	Hex Screw 3/8"
56	BH-7110-88	2	Arm Pump Side
57	BH-7110-46	4	Arm Extension 7000 lb.
58	BH-7101-02	4	Extension 2-5/8"
59	BH-7101-03	4	Extension 5"
60	BH-7112-49	4	Arm Extension 9000 lb.
61	BH-7112-50	2	Arm Off Side

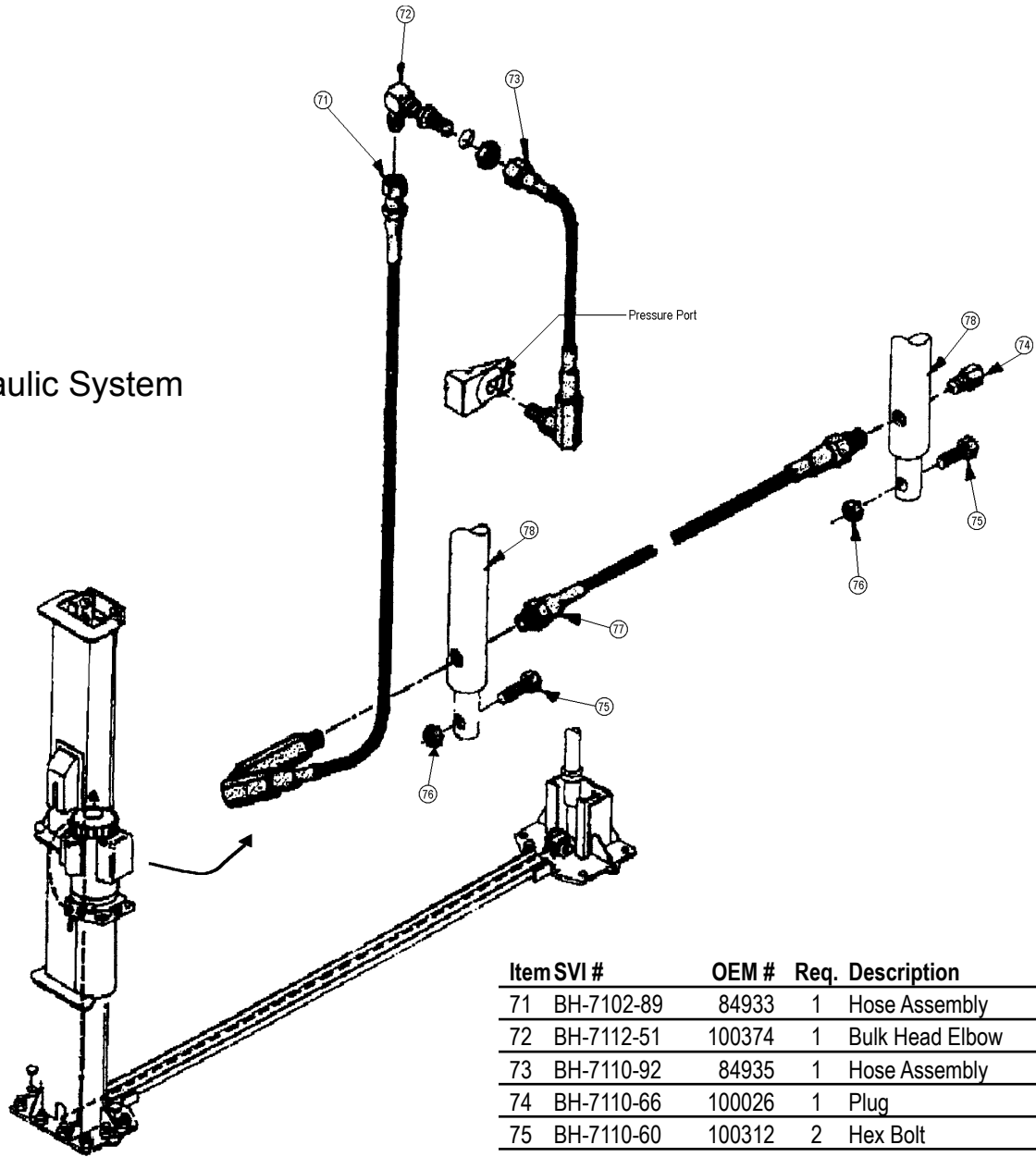
Item SVI #	OEM #	Req.	Description
62*	BH-7101-01	4	Steel Adapter
63	BH-7101-00	4	Rubber Arm Pad
64	F-HC-0312-18-0750	8	Hex Screw
	F-FW-0375-SAE	8	Flat Washer
65	BH-7110-76	4	Door Guard
66	BH-7110-53	4	Pin
67	BH-7100-07	2	Equalizer Cable AO Series
	BH-7103-28	2	Equalizer Cable AO-S Series
68	BH-7110-70	8	Hex Nut
69	BH-7100-08	2	Equalizer Cable AF Series
70	BH-7103-07	4	Retaining Ring
*	BH-7101-01C	4	Adapter Base & Pad Assy (1) Consists of items 62, 63, & 64

P
a
g
e

For Model AF 7, AF 9

DIRECTFIT™
SVI's DIRECT FIT™ BRAND

Hydraulic System



BH-7102-89 (OEM Ref 84933)
Hose Assembly

Item	SVI #	OEM #	Req.	Description
71	BH-7102-89	84933	1	Hose Assembly
72	BH-7112-51	100374	1	Bulk Head Elbow
73	BH-7110-92	84935	1	Hose Assembly
74	BH-7110-66	100026	1	Plug
75	BH-7110-60	100312	2	Hex Bolt
76	BH-7110-61	100068	2	Hex Nut
77	BH-7112-52	84956	1	Crossover Hose Assembly
78	BH-7100-62	82803	2	Hydraulic Cylinder

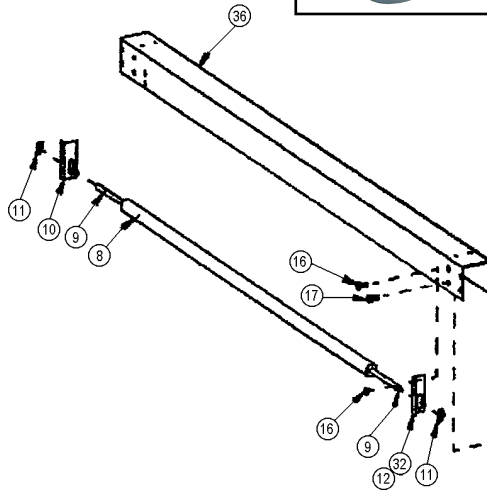
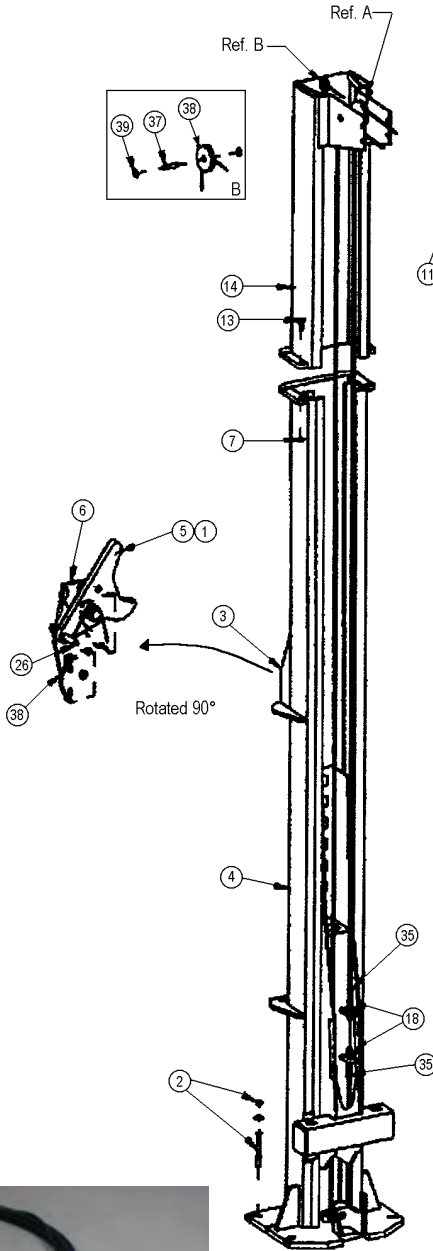
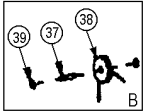
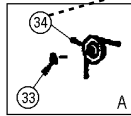
Cylinder Seal Kits:

--	BH-7100-76	83339		Seal Kit for Cylinder 82803 Massey Ferguson w/ Hex Bleeder
--	BH-7100-77	82860		Seal Kit for Cylinder 82803 Holmac with Allen Bleeder

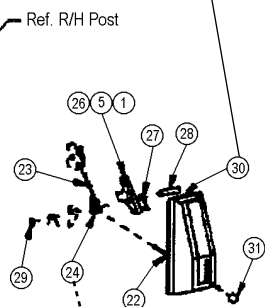
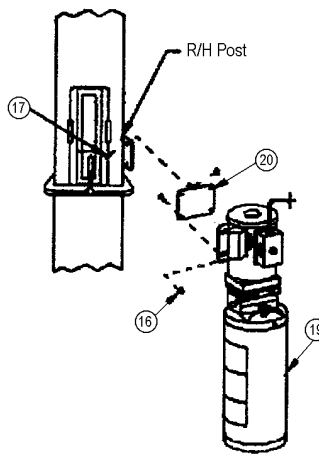


For Model AO9

DIRECTFIT™
SVI's DIRECT FIT™ BRAND



BH-7101-35
(Ref 83924)
Cover, Pump Side



BH-7103-08
Cable Sear
with Nut



BH-7100-40 (Ref 84573)
Safety Release Cable
Assembly



For Model AO9

DIRECTFIT™
SVI's DIRECT FIT™ BRAND

Item SVI #	OEM #	Req.	Description
1	BH-7101-46	84836	2 Lock Latch Kit
2	BH-7075-03L	80362	16 3/4 x 5-1/2" Wedge Anchor
3	BH-7101-36	83925	1 Cover Slave Side
4	BH-7112-55	85381	1 Post Offside
5	BH-7112-54	100106	2 Roll Pin
6	BH-7100-40	84573	1 Safety Release Cable
7	BH-7110-82	100039	8 Hex Nut
8	BH-7110-81	100363	1 Tubing, Bumper
9	BH-7110-80	84856	1 Pipe Bumper
10	BH-7103-26	85632	1 LH Angle
11	BH-7103-25	100362	2 End Clips
12	BH-7110-79	84885	1 Bumper Kit
13	BH-7110-78	80453	8 Hex Bolt
14	BH-7104-06	83944	1 Post Extension
15	BH-7110-76	100239	8 Hex Nut
16	BH-7110-75	100237	12 Hex Nut
17	BH-7110-73	100234	12 Hex Screw
18	BH-7110-70	100073	8 Cable Nut
19	BH-7006-01		1 Power Unit 1 PH, 2 HP
20	BH-7110-38	84434	1 Mounting Bracket

Item SVI #	OEM #	Req.	Description
21	BH-7112-53	85380	1 Post Pump Side
22	BH-7100-41	83906	1 Release Handle
23	BH-7101-47	100357	1 Cable Clamp
24	BH-7103-08	84590	1 Cable Sear with Nut
25	BH-7104-06	83944	1 Post Extension
26	BH-7103-13	83911	2 Rod Spring
27	BH-7110-15	100344	4 Torsion Spring
28	BH-7103-14	83908	4 Latch Shaft
29	BH-7104-07	27112	4 E-Ring
30	BH-7101-35	83924	1 Cover Pump Side
31	BH-7100-42	320	1 Safety Release Ball
32	BH-7110-71	85633	1 RH Angle
33	BH-7104-10	100358	6 Retaining Ring
34	BH-7104-04	84938	6 Pulley
35	BH-7100-19	84916	2 Equalizer Cable
36	BH-7103-23	83958	1 Overhead Beam
37	BH-7104-09	83904	4 Idler Shaft
38	BH-7104-08	83903	4 Idler Pulley
39	BH-7104-07	27112	8 E-Ring



To The 3rd Power

Baltimore
Chicago
Los Angeles



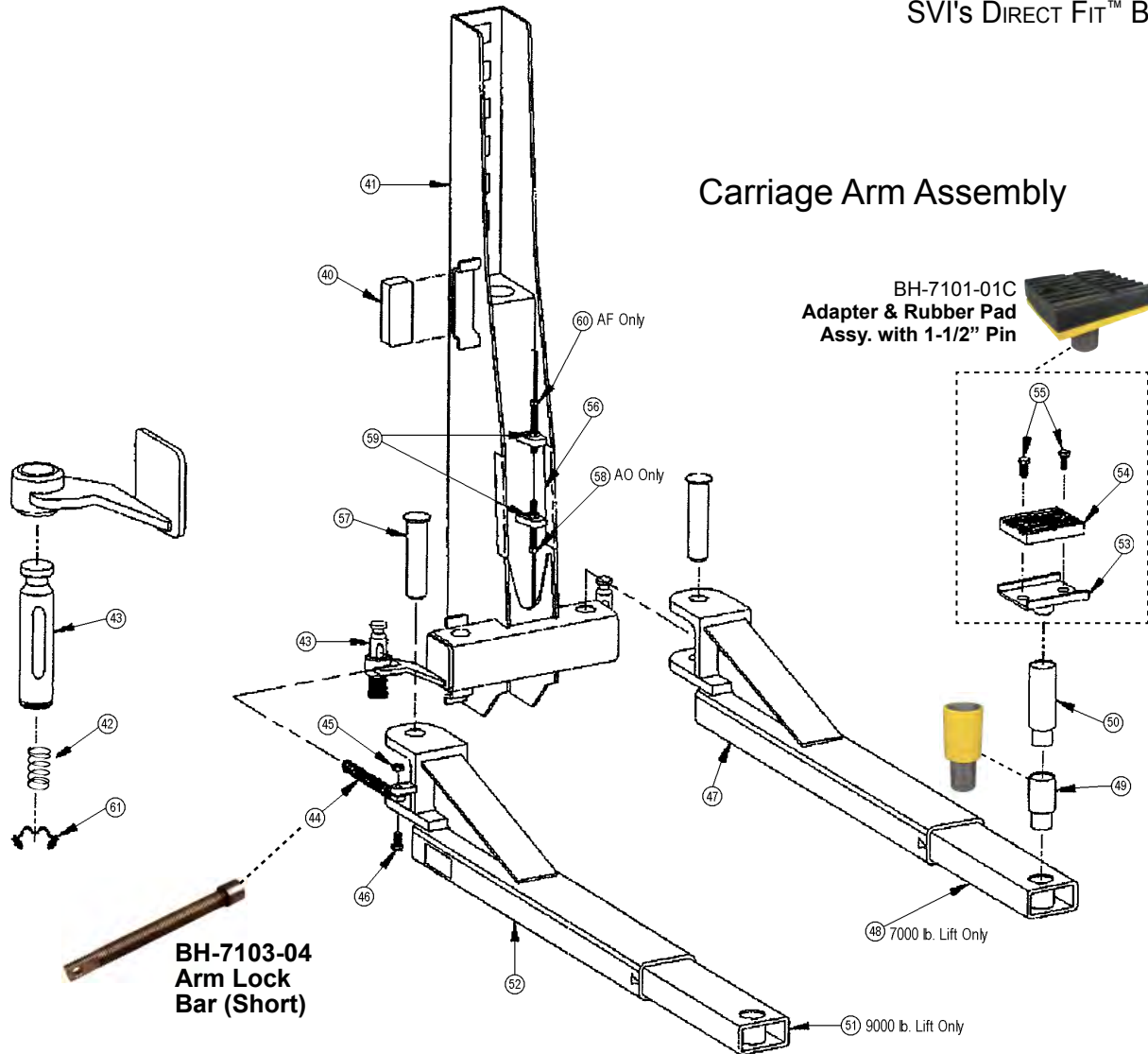
3X the shipping capabilities
3X the convenience
3X the inventory



For Model AO9

DIRECTFIT™
SVI's DIRECT FIT™ BRAND

Carriage Arm Assembly



**BH-7103-04
Arm Lock
Bar (Short)**

**BH-7101-01C
Adapter & Rubber Pad
Assy. with 1-1/2" Pin**

Item SVI #	OEM #	Req.	Description
40	BH-7110-01A	8	Slider Block 4.93" x 1.25" x 1.97"
	BH-7110-01	8	Slider Block 5" x 1.25" x 1.25"
41	BH-7112-48	2	Carriage
42	BH-7103-05	4	Spring
43	BH-7103-06	4	Threaded Segment
44	BH-7103-04	4	Arm Lock Bar Short
45	BH-7102-12	4	Nylock Nut
46	BH-7110-48	4	Hex Screw
47	BH-7112-56	2	RH Arm
48	BH-7110-46	4	Arm Extension 7000#
49	BH-7101-03	4	Extension 5"
50	BH-7101-02	4	Extension 2-5/8"
51	BH-7112-49	4	Arm Extension 9000#
52	BH-7112-50	2	LH Arm

Item SVI #	OEM #	Req.	Description
53*	BH-7101-01	4	Steel Adapter
54	BH-7101-00	4	Rubber Pad
55	F-HC-0312-18-0750	8	Hex Screw
	F-FW-0375-SAE	8	Flat Washer
56	BH-7102-76	4	Protector Strip
57	BH-7110-53	4	Pin
58	BH-7100-19	2	Equalizer Cable AO Series
	BH-7112-57	2	Equalizer Cable AO-S Series
59	BH-7110-70	8	Hex Nut
60	BH-7100-08	2	Equalizer Cable AF Series
61	BH-7103-07	4	Retaining Ring
*	BH-7101-01C	4	Adapter Base and Pad Assy. Consists of items 53, 54 & 55

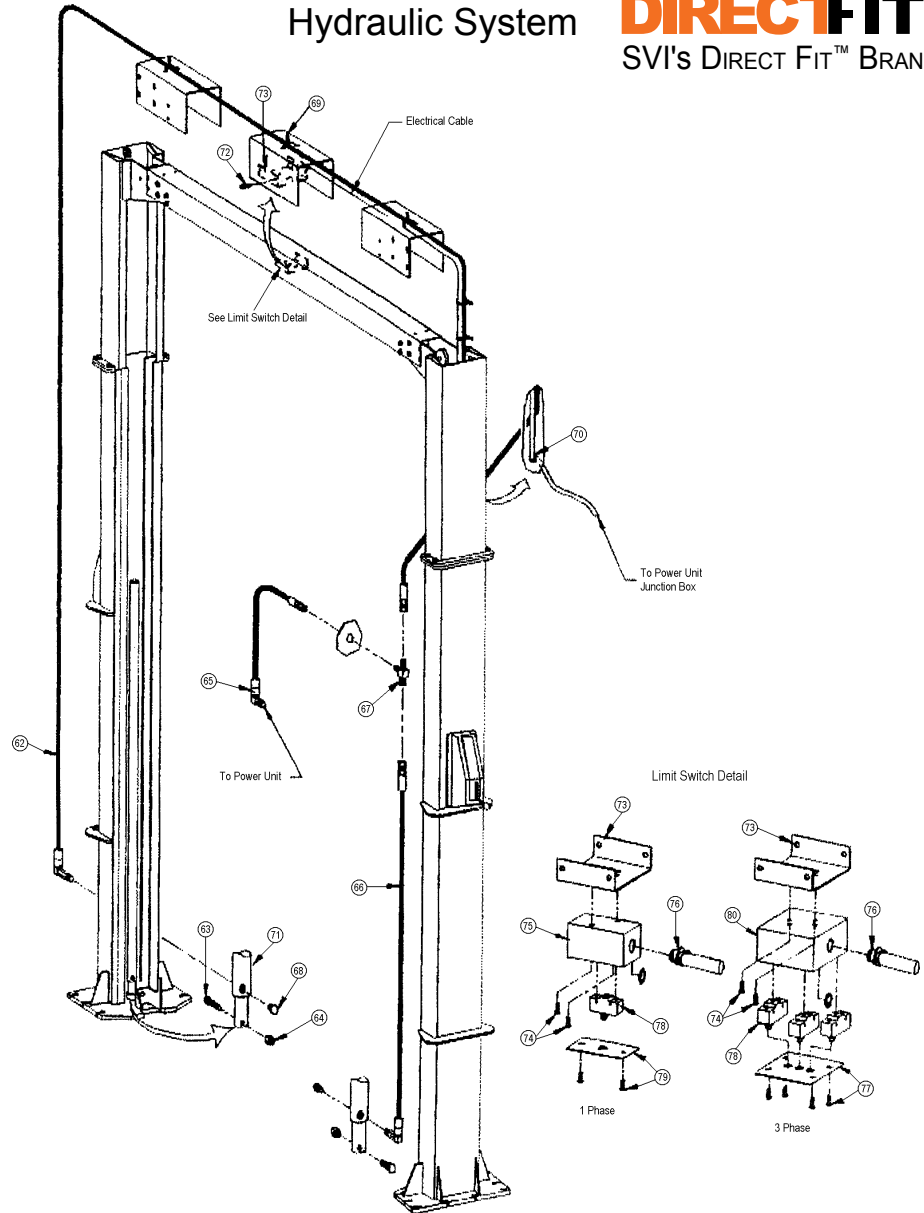
For Model AO9

Hydraulic System

DIRECTFIT™
SVI's DIRECT FIT™ BRAND



**BH-7102-89 (OEM Ref 84933)
Hose Assembly**



Item	SVI #	OEM #	Req.	Description
62	BH-7102-90	84934	1	Hose Assembly
63	BH-7110-60	100312	2	Hex Screw
64	BH-7110-61	100068	2	Lock Nut
65	BH-7110-92	84935	1	Hose Assembly
66	BH-7102-89	84933	1	Hose Assembly
67	BH-7110-65	100355	1	Bulkhead Tee w/Nut
68	BH-7110-66	100026	2	Plug
69	BH-7110-67	100004	6	Ty-Wrap
70	BH-7110-68	84126	1	Grommet
71	BH-7100-62	82803	2	Hydraulic Cylinder

Item	SVI #	OEM #	Req.	Description
72	BH-7110-60	100312	2	Hex Screw
73	BH-7110-93	85615	1	Mounting Bracket
74	BH-7110-94	100009	2	Hex Screw
75	BH-7110-95	85611	1	Single Phase Switch Box
76	BH-7110-96	85630	1	Strain Relief Bushing
77	BH-7110-97	85629	1	Three Phase Box Cover
78	BH-7004-19	80282	1	1 PH Microswitch
79	BH-7110-98	85628	1	Single Phase Box Cover
80	BH-7110-99	85631	1	Three Phase Switch Box

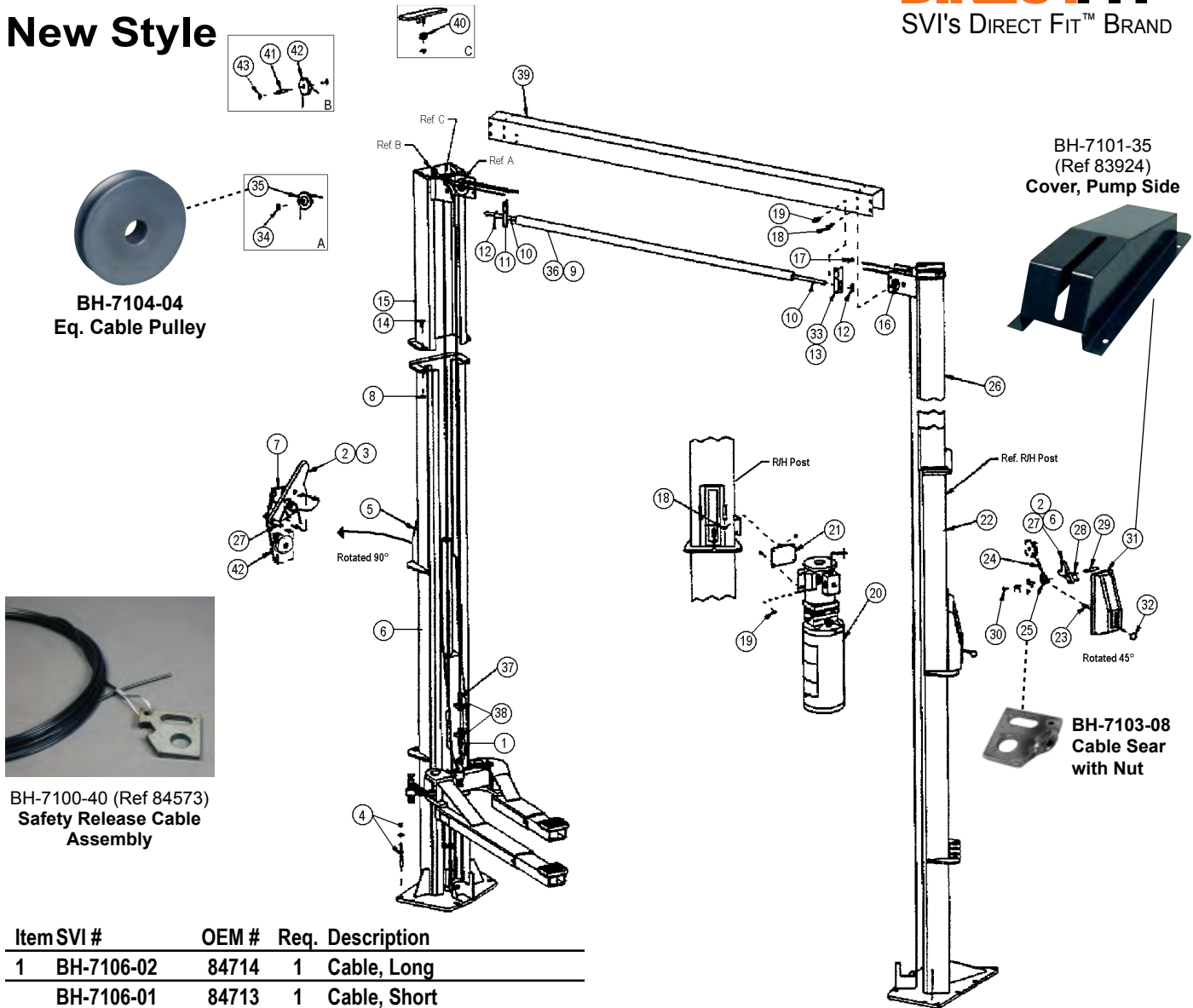
Cylinder Seal Kits:

--	BH-7100-76	83339	Seal Kit for Cylinder 82803 Massey Ferguson w/ Hex Bleeder
--	BH-7100-77	82860	Seal Kit for Cylinder 82803 Holmac with Allen Bleeder



For Model AL 7 New Style

DIRECTFIT™
SVI's DIRECT FIT™ BRAND



Item SVI #	OEM #	Req.	Description
1	BH-7106-02	84714	1 Cable, Long
	BH-7106-01	84713	1 Cable, Short
2	BH-7104-05	84837	1 Lock Latch Only
3	BH-7101-46	84836	1 Lock Latch Kit
4	BH-7075-03L	80362	14 3/4" x 5-1/2" Anchor Bolt
5	BH-7101-36	83925	1 Guard, Offside
6	BH-7110-44	84425	1 Post, Offside
7	BH-7100-40	84573	1 Safety Release Cable Assy.
8	BH-7110-82	100039	8 Nut, Hex 1/2" Washer Head
9	BH-7110-81	100363	1 Tubing, Bumper
10	BH-7110-80	84856	1 Pipe, Bumper
11	BH-7103-26	85632	1 LH Bracket
12	BH-7103-25	100362	2 End Clips
13	BH-7110-79	84885	1 Kit, Bumper
14	BH-7110-78	80453	8 Screw, Hex 1/2" Washer Head
15	BH-7110-36	84064	1 Extension, Post Offside
	BH-7110-77	84064-5	1 Extension, Post Offside AL-7S
16	BH-7110-76	100239	8 Nut, Hex 3/8 Self Locking
17	BH-7110-75	100237	12 Nut, Hex 5/16 Self Locking

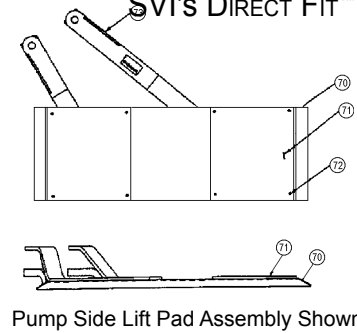
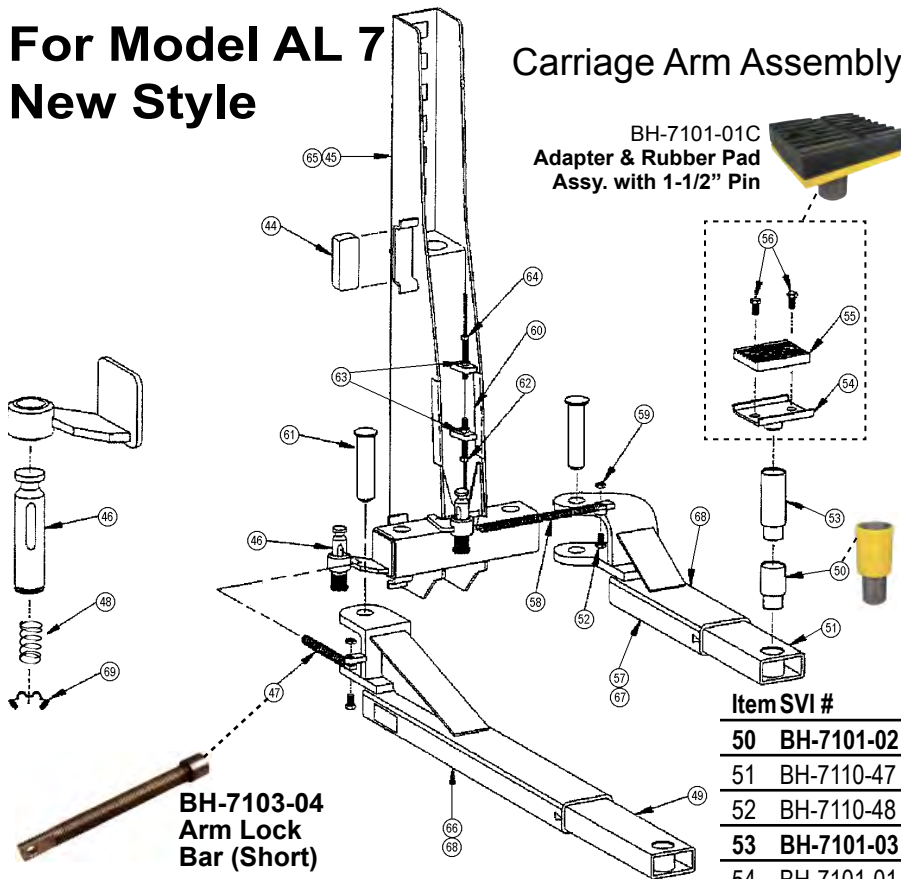
Item SVI #	OEM #	Req.	Description
18	BH-7110-74	100238	8 Screw, 3/8 Washer Head
19	BH-7110-73	100234	12 Screw, Hex 5/16
20	BH-7006-01		1 Power Unit 1PH, 2HP
	BH-7006-03		1 Power Unit 3PH, 2HP
21	BH-7110-38	84434	1 Mounting Bracket
22	BH-7110-37	84426	1 Post, Pump Side
23	BH-7100-41	83906	1 Safety Release Handle
24	BH-7101-47	100357	1 Clamp for Lock Release Cable
25	BH-7103-08	84590	1 Cable Sear
26	BH-7110-39	84065	1 Extension, Post Pump Side
	BH-7110-72	84065-5	1 Extension Pump Side AL-7S

For Model AL 7 New Style

Carriage Arm Assembly

DIRECTFIT™

SVI'S DIRECT FIT™ BRAND



Item SVI #	OEM #	Req.	Description
27	BH-7103-13	83911	1 Rod, Spring
28	BH-7110-15	100344	4 Torsion Spring
29	BH-7103-14	83908	2 Latch Shaft
30	BH-7100-88	100343	4 Retaining Ring
31	BH-7101-35	83924	1 Cover, Pump Side
32	BH-7100-42	320	1 Safety Release Ball for Lever
33	BH-7110-71	85633	1 RH Angle
34	BH-7104-10	100358	6 Retaining Ring
35	BH-7104-04	84395	6 Pulley
36	BH-7103-24	84859	1 Bumper Assy.
37	BH-7106-01	84713	1 Cable, Short
	BH-7103-10	84713-5	1 Cable, Short for AL-7S
38	BH-7110-70	100073	8 Cable Nut
39	BH-7103-23	83958	1 Overhead Beam
40	BH-7106-06	14710	2 Idler Pulley
41	BH-7104-09	83904	4 Pulley Shaft
42	BH-7104-08	83903	4 Idler Pulley
43	BH-7110-69	27112	8 E-Ring
44	BH-7110-01A	84926	8 Slider Block
45	BH-7110-83	85332	1 Carriage, Pump Side
46	BH-7103-06	85327	4 Threaded Segment
47	BH-7103-04	84186	2 Arm Lock Bar - Short
48	BH-7103-05	85329	4 Spring
49	BH-7110-46	84252	2 Arm Extension, Rear

Item SVI #	OEM #	Req.	Description
50	BH-7101-02	27984	4 Extension, 2-5/8"
51	BH-7110-47	84218	2 Arm Extension, Short
52	BH-7110-48	100356	4 Screw, Hex 3/8" x 1-3/8"
53	BH-7101-03	27982	4 Extension, 5"
54	BH-7101-01	82361	4 Steel Adapter Only
*	BH-7101-01C	82591	4 Steel Adapter & Pad Assy.
55	BH-7101-00	82365	4 Rubber Arm Pad
	BH-7101-00-4		Rubber Arm Pad Kit (set of 4)
56	F-HC-0312-18-0750	100313	8 Capscrew, 5/16 x 3/4
	F-FW-0375-SAE	8	Flat Washer
57	BH-7110-86	85434	1 Arm, Front Pump Side
58	BH-7103-03	84415	2 Arm Lock Bar - Long
59	F-NL-0375-16	81082	4 Nylock Nut, 3/8"
60	BH-7102-76	84572	4 Guard, Door
61	BH-7110-53	84411	4 Pin
62	BH-7106-02	84714	1 Cable, Long
	BH-7103-11	84714-5	1 Cable, Long for AL-7S
63	BH-7110-70	100073	8 Hex Nut
64	BH-7106-01	84713	1 Cable, Short
	BH-7103-10	84713-5	1 Cable, Short for AL-7S
65	BH-7110-87	85333	1 Carriage, Off Side
66	BH-7110-88	85438	1 Arm, Rear Pump Side
67	BH-7110-89	85433	1 Arm, Front Off Side
68	BH-7110-90	85437	1 Arm, Rear Off Side
69	BH-7103-07	85328	4 Retaining Ring
70	BH-7111-00	85162	1 Pad Assy. Pump Side
70	BH-7111-01	85163	1 Pad Assy. Off Side
71	BH-7101-43	27480	4 Rubber Pad
72	BH-7111-02	27041	16 Self Tapping Screw
73	BH-7111-03	84998	4 Rubber Molding

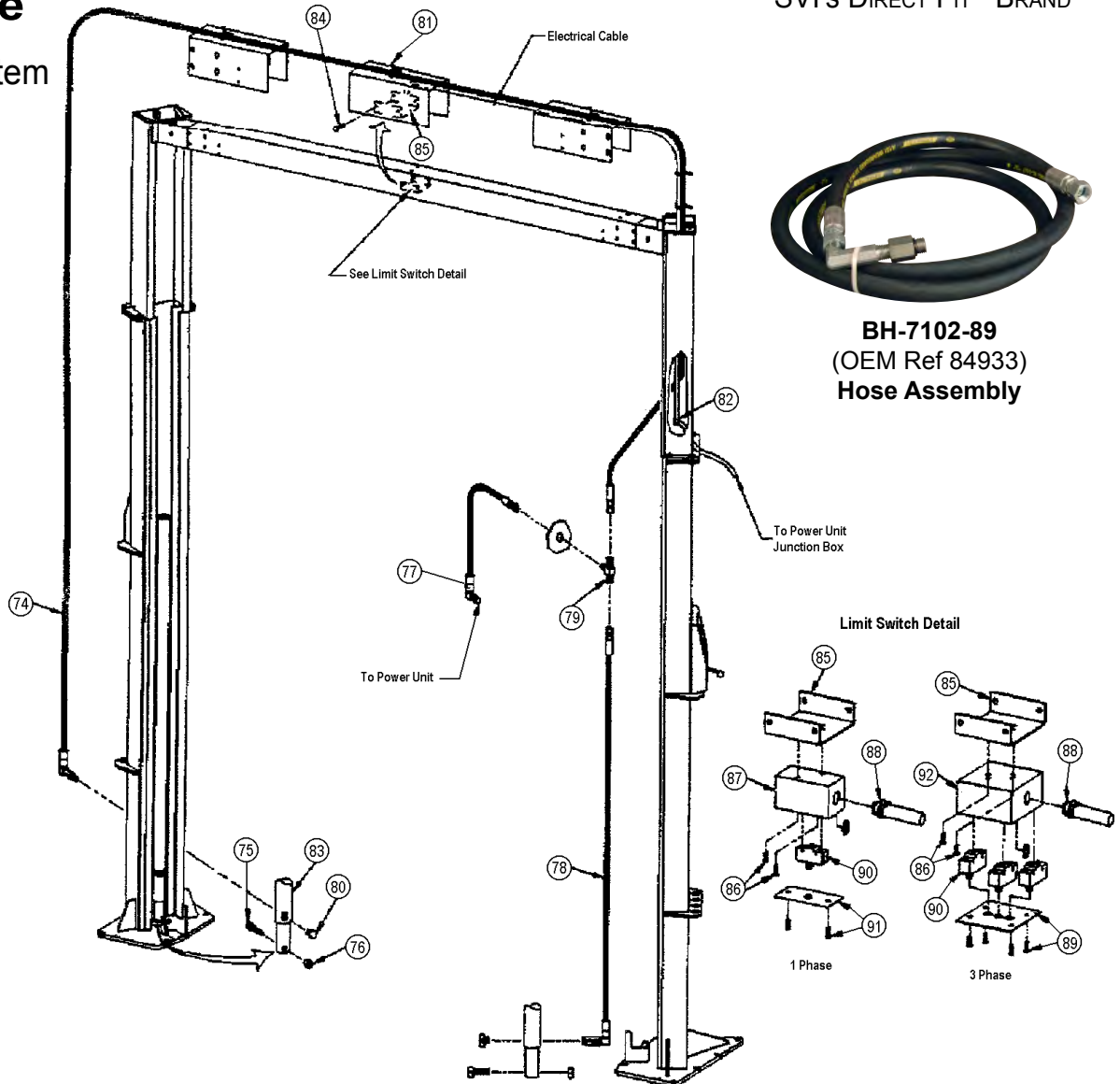
*Consists of items 54, 55 & 56



For Model AL 7 New Style

Hydraulic System

DIRECTFIT™
SVI's DIRECT FIT™ BRAND



BH-7102-89
(OEM Ref 84933)
Hose Assembly

Item SVI #	OEM #	Req	Description
74	BH-7110-91	84932	1 Hose Assembly
75	BH-7110-60	100312	2 Hex Screw
76	BH-7110-61	100068	2 Locknut
77	BH-7110-92	84935	1 Hose Assembly
78	BH-7102-89	84933	1 Hose Assembly
79	BH-7110-65	100355	1 Tee, Bulkhead w/Nut
80	BH-7110-66	100026	2 Plug
81	BH-7110-67	100004	6 Ty-Wrap
82	BH-7110-68	84126	1 Grommet
83	BH-7100-62	82803	2 Cylinder

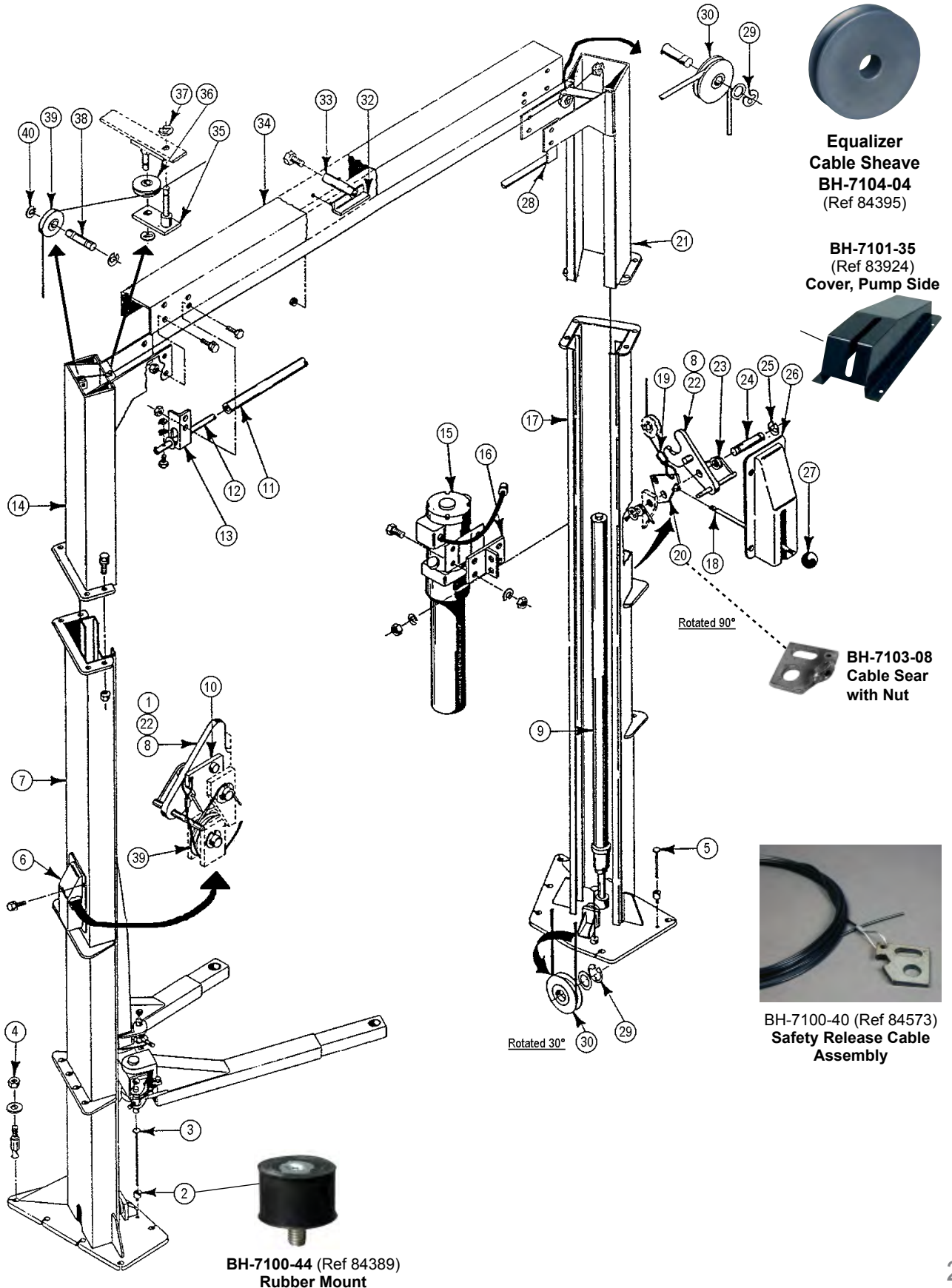
Item SVI #	OEM #	Req	Description
84	BH-7110-60	100312	2 Hex Screw
85	BH-7110-93	85615	1 Mounting Bracket
86	BH-7110-94	100009	2 Hex Screw
87	BH-7110-95	85611	1 Switch Box Single Phase
88	BH-7110-96	85630	1 Strain Relief Bushing
89	BH-7110-97	85629	1 Box Cover Three Phase
90	BH-7004-19	80282	1 Microswitch
91	BH-7110-98	85628	1 Box Cover Single Phase
92	BH-7110-99	85631	1 Switch Box Three Phase

Cylinder Seal Kits:

--	BH-7100-76	83339	Seal Kit for Cylinder 82803 Massey Ferguson w/ Hex Bleeder
--	BH-7100-77	82860	Seal Kit for Cylinder 82803 Holmac with Allen Bleeder

For Model AL 7 Old Style

DIRECTFIT™
SVI's DIRECT FIT™ BRAND



**Equalizer
Cable Sheave
BH-7104-04
(Ref 84395)**

**BH-7101-35
(Ref 83924)
Cover, Pump Side**

**BH-7103-08
Cable Sear
with Nut**

**BH-7100-40 (Ref 84573)
Safety Release Cable
Assembly**

**BH-7100-44 (Ref 84389)
Rubber Mount**



For Model AL 7 Old Style

DIRECTFIT™
SVI's DIRECT FIT™ BRAND

Item SVI #	OEM #	Req.	Description
1	BH-7104-05	84837	1 Lock Latch
2	BH-7100-44	84389	4 Rubber Mount
3	BH-7101-31	84458	2 Long Release Rod
4	BH-7075-03L	80362	14 3/4" x 5-/12" Anchor Bolt
5	BH-7101-30	84457	2 Short Release Rod
6	BH-7101-36	83925	1 Cover Slave Side
7	BH-7110-44	84425	1 Post Off Side
8	BH-7101-46	84836	2 Latch Assembly
9	BH-7100-62	82803	2 Cylinder
--	BH-7100-76	83339	Seal Kit for Cylinder 82803 Massey Ferguson w/ Hex Bleeder
--	BH-7100-77	82860	Seal Kit for Cylinder 82803 Holmac with Allen Bleeder
10	BH-7100-40	84573	1 Safety Release Cable
11	BH-7110-42	81863	1 Tubing, Bumper
12	BH-7110-41	82856	1 Pipe, Bumper
13	BH-7110-40	81860	1 LH Angle
14	BH-7110-39	84065	1 Extension, Post Off Side
15	BH-7006-01		1 Power Unit 1PH, 2HP
	BH-7006-03		1 Power Unit 3PH, 2HP
16	BH-7110-38	84434	1 Mounting Bracket
17	BH-7110-37	84426	1 Post Pump Side

Item SVI #	OEM #	Req.	Description
18	BH-7100-41	83906	1 Release Handle
19	BH-7101-47	100357	1 Clamp for Lock Release Cable
20	BH-7103-08	84590	1 Cable Sear
21	BH-7110-36	84064	1 Extension, Post Pump Side
22	BH-7103-13	83911	1 Rod Spring
23	BH-7110-15	100344	4 Torsion Spring
24	BH-7103-14	83908	2 Latch Shaft
25	BH-7100-88	100343	4 Retaining Ring
26	BH-7101-35	83924	1 Cover Pump Side
27	BH-7100-42	320	1 Safety Release Ball for Lever
28	BH-7110-33	81861	1 RH Angle
29	BH-7104-10	100358	6 Retaining Ring
30	BH-7104-04	84395	6 Pulley
32	BH-7110-32	82503	1 Microswitch Bracket
33	BH-7110-31	84121	1 Cable Support
34	BH-7103-23	83958	1 Overhead Beam
35	BH-7110-30	84133	2 Retainer Idler
36	BH-7106-06	14710	2 Horizontal Pulley
37	Call for details	100350	2 E-Ring
38	BH-7104-09	83904	4 Pulley Shaft
39	BH-7104-08	83903	4 Lock Release Pulley
40	BH-7104-07	27112	8 E-Ring



**Lock Latch Assembly Kit for AL 7, AF7, AF9, AO9
BH-7101-46 (Ref 84836)**



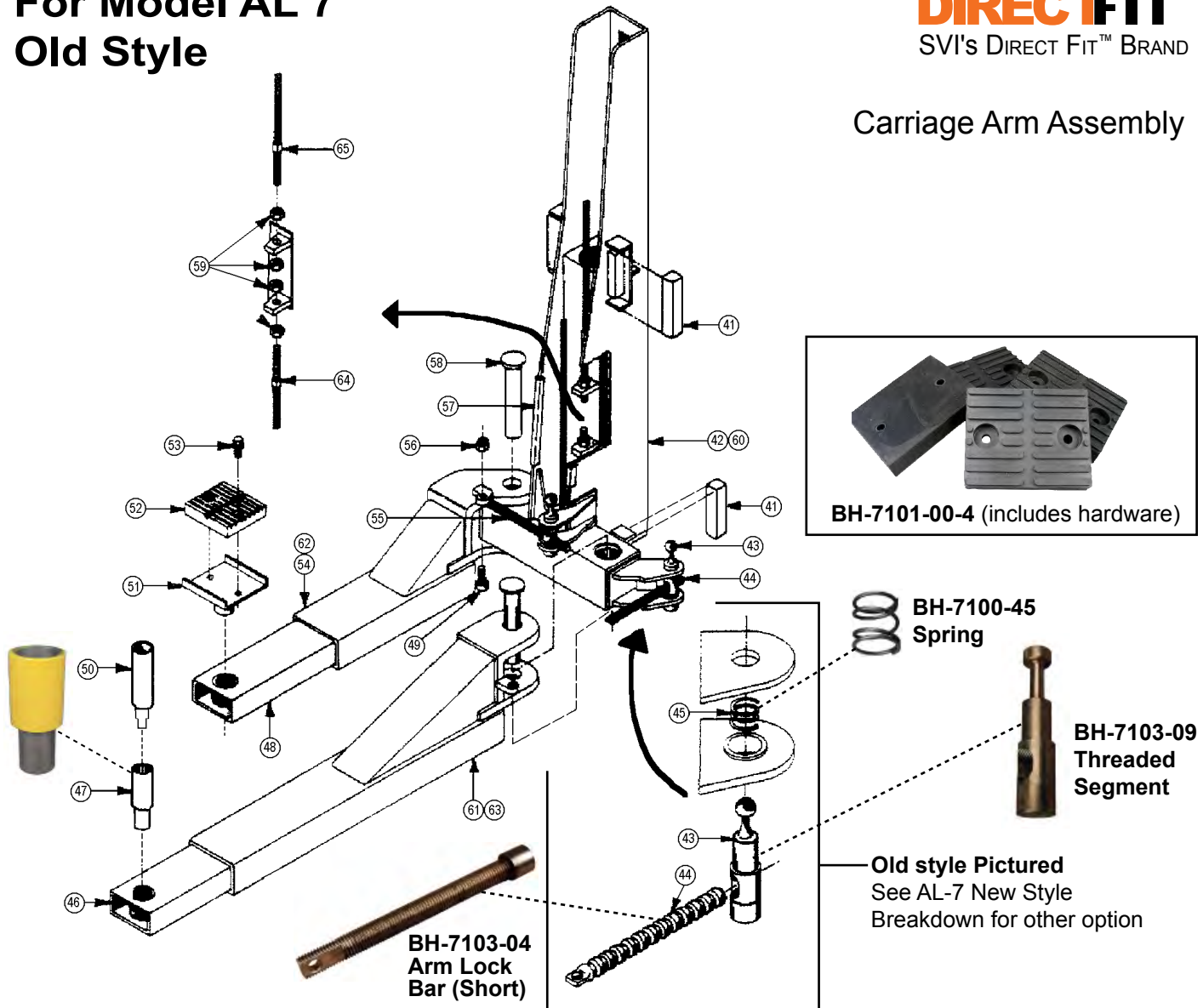
Your One-Stop Shop

www.sviinternational.com

For Model AL 7 Old Style

DIRECTFIT™
SVI's DIRECT FIT™ BRAND

Carriage Arm Assembly

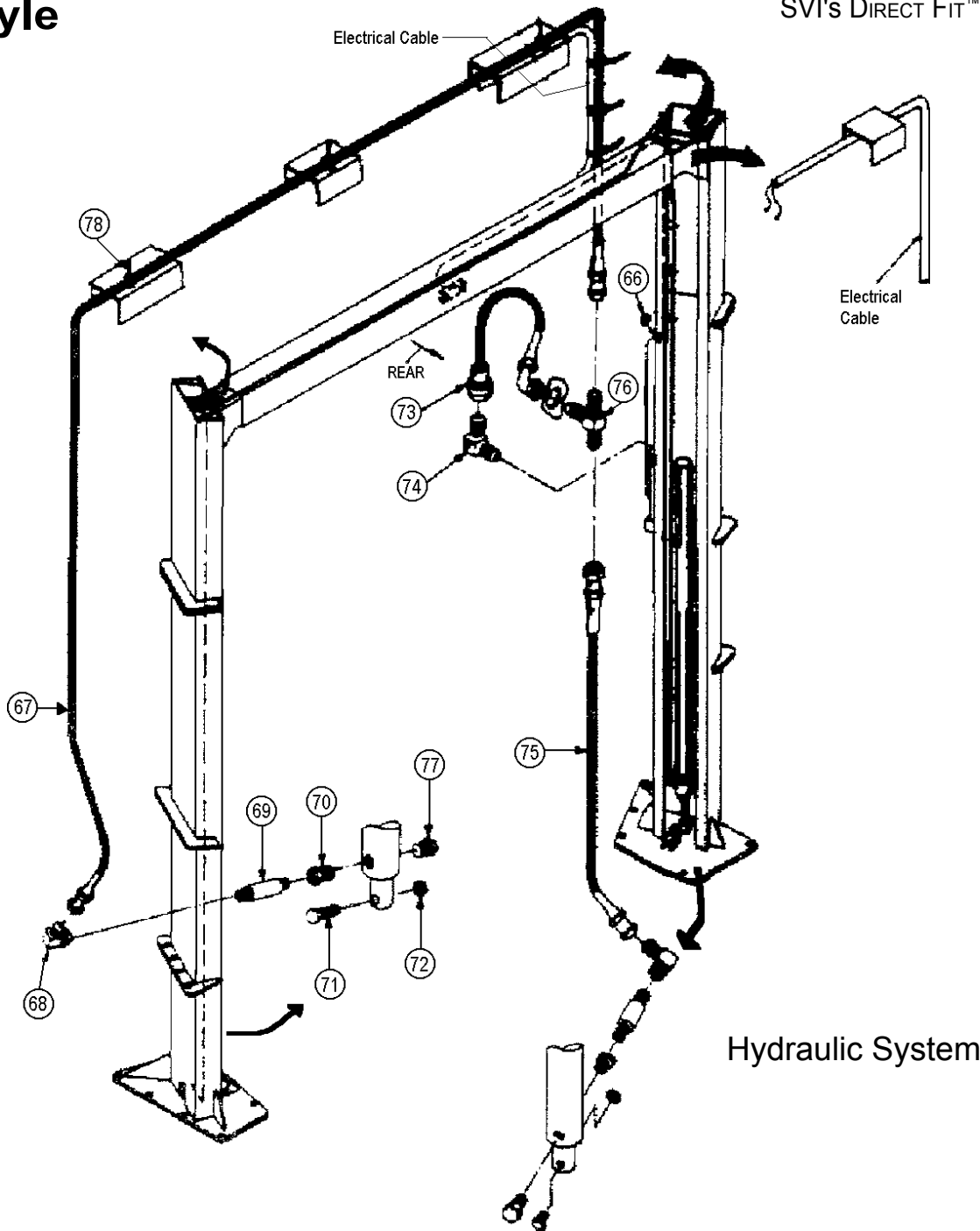


Item	SVI #	OEM #	Req.	Description
41	BH-7110-01	82816	8	Carriage Slider Block Square
42	BH-7110-45	84452	1	Carriage Passenger Side
43	BH-7103-09	84386	4	Threaded Segment
44	BH-7103-04	84186	2	Arm Lock Bar Short
45	BH-7100-45	84387	4	Spring
46	BH-7110-46	84252	2	Arm Extension Rear
47	BH-7101-02	81693	4	Extension 2-5/8"
48	BH-7110-47	84218	2	Arm Extension Front
49	BH-7110-48	100356	4	Hex Screw 3/8" x 1-3/8"
50	BH-7101-03	81691	4	Extension 5"
51	BH-7101-01C	82591	4	Steel Adapter & Pad Assembly
	BH-7110-49	27981	4	Holder Pad
	BH-7101-01			Adapter
52	BH-7101-00	82365	4	Rubber Arm Pad
	BH-7101-00-4			Rubber Arm Pad Kit (set of 4)
53	F-HC-0312-18-0750	100313	8	Capscrew, 5/16 x 3/4

Item	SVI #	OEM #	Req.	Description
54	BH-7110-51	84203	1	Arm Front Passenger Side
55	BH-7103-03	84415	2	Arm Lock Bar Long
56	BH-7110-52	11273	4	Nylock 3/8"
57	BH-7102-76	84572	4	Guard Door
58	BH-7110-53	84411	4	Pin
59	BH-7110-54	100157	8	Nut
60	BH-7110-55	84453	1	Carriage Driver Side
61	BH-7110-56	84242	1	Arm Rear
62	BH-7110-57	84221	1	Arm Front Driver Side
63	BH-7110-58	84237	1	Arm Rear Driver Side
64	BH-7106-01	84713	1	Cable, Short
65	BH-7106-02	84714	1	Cable, Long

For Model AL 7 Old Style

DIRECTFIT™
SVI's DIRECT FIT™ BRAND



Hydraulic System

Item SVI #	OEM #	Req.	Description
66 BH-7110-68	84126	1	Grommet
67 BH-7110-59	84535	1	Hose Assembly
68 BH-7102-93	100227	2	Elbow
69 BH-7102-94	100341	2	Pipe Nipple
70 BH-7102-92	80992	2	Female Adapter
71 BH-7110-60	100312	2	Hex Screw
72 BH-7110-61	100068	2	Locknut

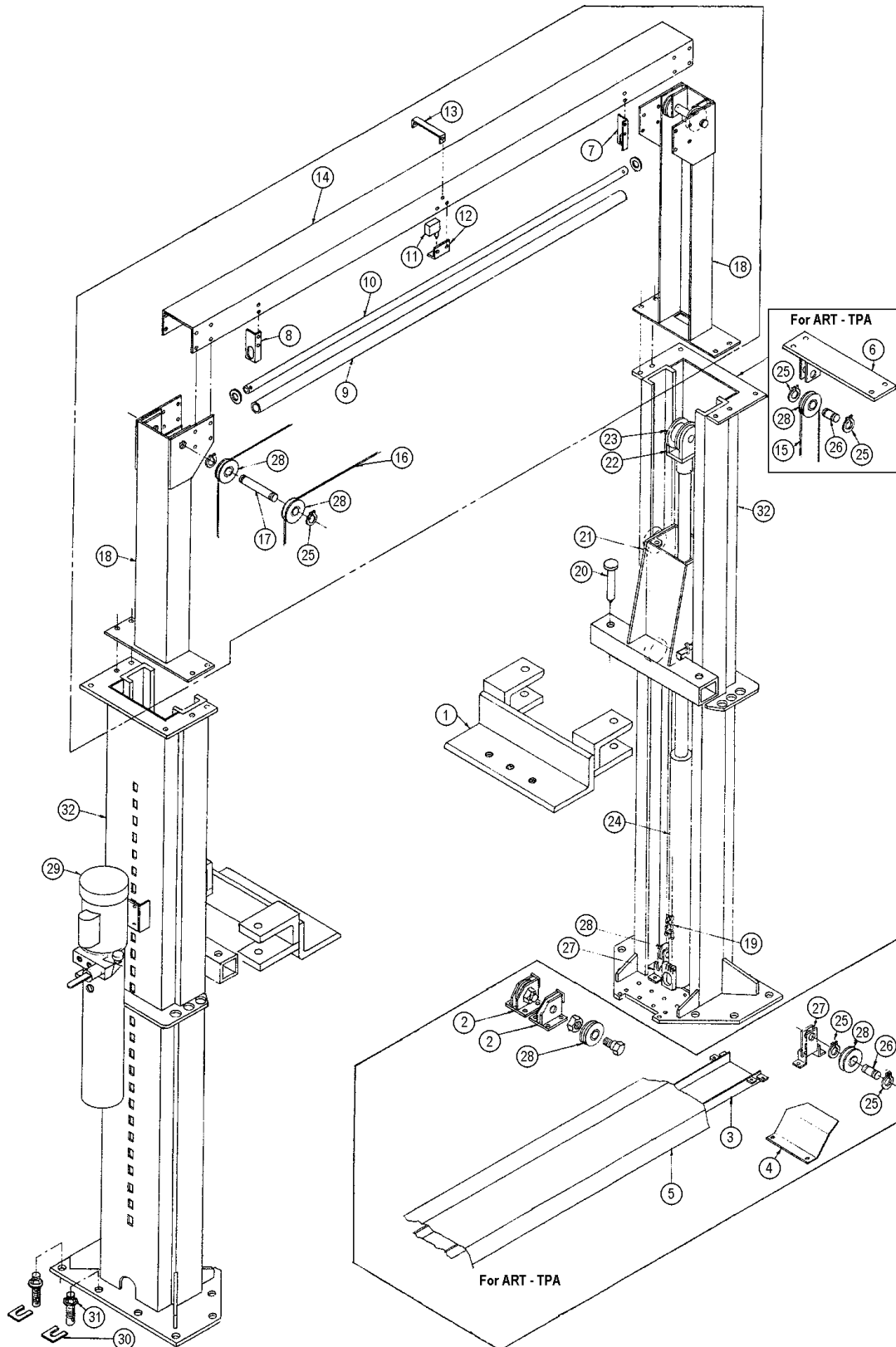
Item SVI #	OEM #	Req.	Description
73 BH-7110-62	84547	1	Hose Assembly
74 BH-7110-63	82056	1	Elbow Adapter
75 BH-7110-64	84543	1	Hose Assembly
76 BH-7110-65	100355	1	Tee Bulkhead w/Nut
77 BH-7110-66	100026	2	Plug
78 BH-7110-67	100004	6	Ty-Wrap

P
a
g
e

For Models ART, ARTO, TPA, TPAO

DIRECTFIT™

SVI's DIRECT FIT™ BRAND





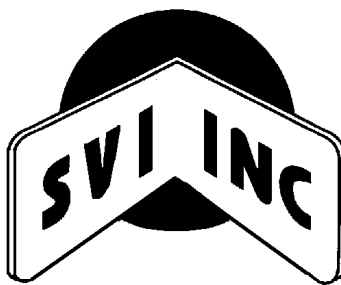
For Models ART, ARTO, TPA, TPAO

DIRECTFIT™
SVI's DIRECT FIT™ BRAND

Item SVI #	OEM #	Req.	Description
1	BH-7111-19	82132 2	Bolster Support Structure
2	BH-7111-18	81940 4	Idler Support Structure, ART TPA
3	BH-7111-17	81945 1	Trough Structure ART, TPA
4	BH-7111-16	81948 2	Cover Bottom Idler ART, TPA
5	BH-7111-15	81947 1	Cover Drive Over ART, TPA
6	BH-7111-14	81917 2	Support Struct Top Idler ART TPA
7	BH-7110-33	81861 1	RH Angle Support ARTO, TPAO
8	BH-7110-40	81860 1	LH Angle Support ARTO, TPAO
9	BH-7110-42	81863 1	Tubing Bumper ARTO, TPAO
10	BH-7110-41	82856 1	Pipe Bumper ARTO, TPAO
11	BH-7004-19	80282 1	Micro Switch ARTO, TPAO
12	BH-7111-13	81864 1	Angle Switch Support ARTO TPAO
13	BH-7111-12	81906 1	Cable Support Strap ARTO TPAO
14	BH-7111-11	81859 1	Channel Cross Over ARTO TPAO
15	BH-7100-10	82743 2	Cable Assy ART5, TPA5
	BH-7100-01	81926 2	Cable Assy ART7, TPA7
16	BH-7100-15	82742 2	Cable Assy ARTO5, TPAO5, LMO7
	BH-7100-06	81927 2	Cable Assy ARTO7, TPAO7
17	BH-7111-10	81911 2	Pin Top Idler ARTO, TPAO
18	BH-7111-09	81852 2	Channel Structure ARTO, TPAO

Item SVI #	OEM #	Req.	Description
19	BH-7111-08	81823 2	Chain
20	BH-7101-06	81885 4	Pin
21	BH-7111-07	81824 2	Carriage Assy
22	BH-7111-06	80675 2	Cylinder End Structure
23	BH-7111-78	82714 2	Roller Assy
24	BH-7100-61	81821 2	Hydraulic Cylinder All "5" Models
	BH-7100-63	81921 2	Hydraulic Cylinder All "7" Models
25	BH-7100-00C	80864 12	Retaining Ring ART, TPA
	BH-7100-00C	80864 4	Retaining Ring ATO, TPAO
26	BH-7100-00B	81819 6	Sheave Pin ART, TPA
	BH-7100-00B	81819 2	Sheave Pin ARTO, TPAO
27	BH-7111-05	81816 4	Idler Support Struct ART, TPA
	BH-7111-05	81816 2	Idler Support Struct ARTO, TPAO
28	BH-7100-00	81924 10	Cable Sheave ART, TPA
	BH-7100-00	81924 6	Cable Sheave ARTO, TPAO
29	BH-7006-01	1	Power Unit 1PH, 2HP
30	BH-7512-92	80589 1	Shim Kit 150 pcs, 3 sizes
31	BH-7075-03L	80362 16	3/4 x 5-1/2 Wedge Anchor
32	BH-7111-04	82711 2	Post Structure

BALTIMORE



LOS ANGELES

CHICAGO

THREE **"READY SHIP"** WAREHOUSE LOCATIONS

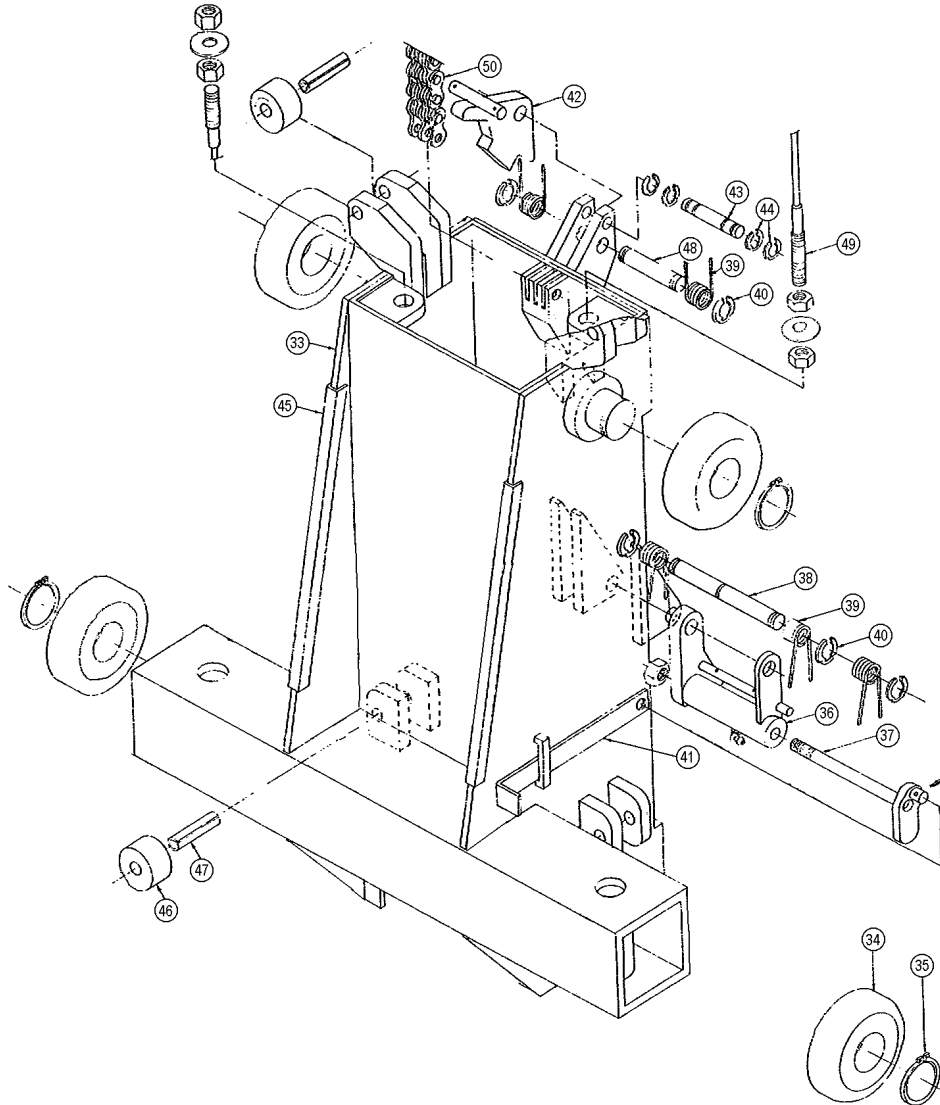
P
a
g
e

For Models ART, ARTO, TPA, TPAO

DIRECTFIT™

SVI's DIRECT FIT™ BRAND

Carriage Arm Assembly

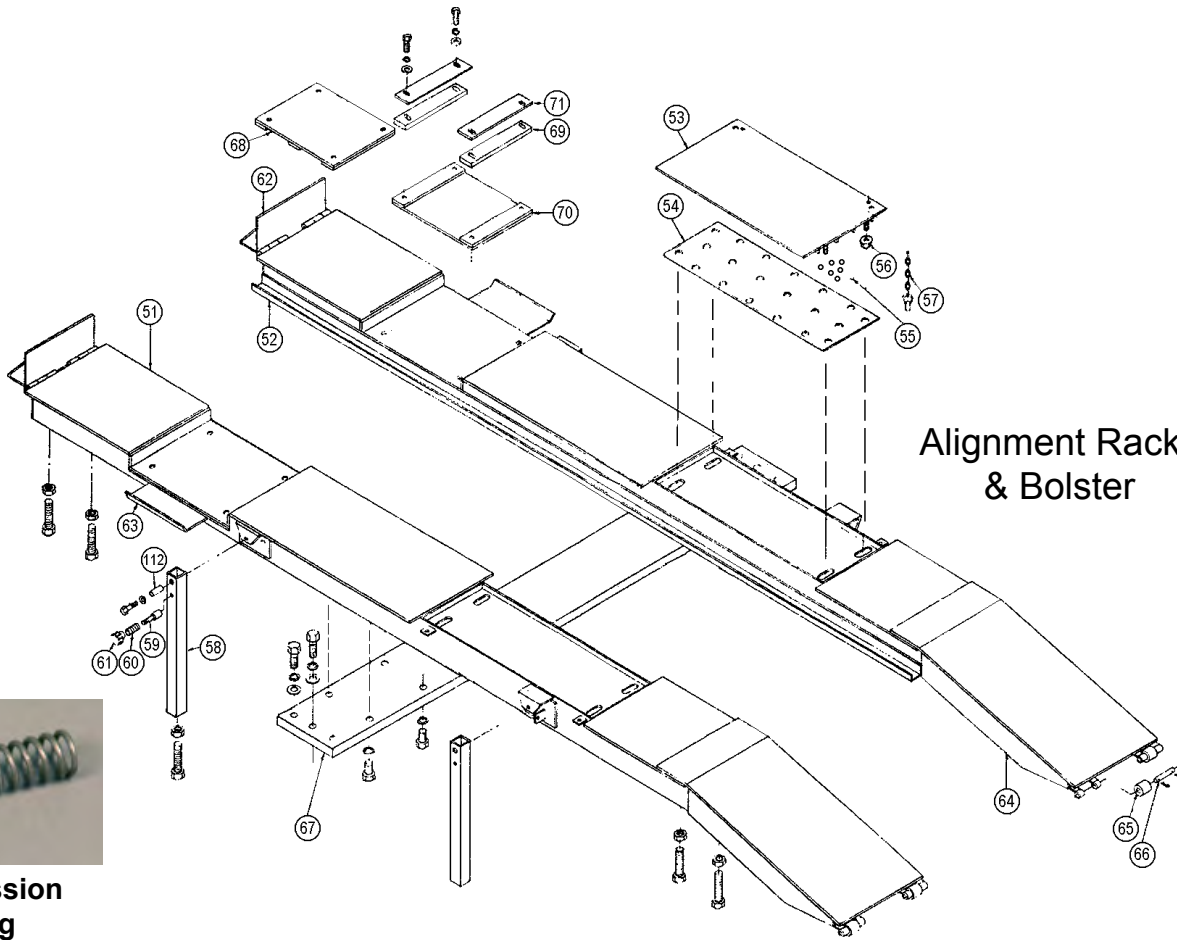


Item SVI #	OEM #	Req.	Description
- BH-7111-07	81824	2	Carriage Assy (#s 33-48)
33 BH-7111-48	82310	1	Carriage Structure
34 BH-7110-03	81446	4	Carriage Roller
35 BH-7111-49	100089	4	Retaining Ring 1-3/8
36 BH-7102-47	82756	1	Latch Assembly
37 BH-7102-48	81842	1	Cam Structure
38 BH-7111-50	82760	1	Pivot Latch Shaft
39 BH-7100-90	80739	5	Torsion Spring
40 BH-7100-85	80738	5	Retaining Ring 1/2
41 BH-7102-36	81849	1	Lever

Item SVI #	OEM #	Req.	Description
42 BH-7101-24	82171	1	Latch Structure
43 BH-7111-51	82173	1	Latch Pin
44 BH-7100-86	80683	4	Retaining Ring 3/8
45 BH-7111-52	81850	2	Bumper Pad
46 BH-7606-20	80176	4	Carriage Roller Bearing
47 F-RP-437-2000	100302	4	Roll Pin
48 BH-7102-10	80737	1	Shaft
49 BH-7100-01	81926	1	Cable Assy (Floor)
	BH-7100-06	1	Cable Assy (Overhead)
50 BH-7111-08	81823	1	Chain

For Models ART, ARTO

DIRECTFIT™
SVI's DIRECT FIT™ BRAND



Alignment Racks
& Bolster



Compression Spring

BH-7101-08
(Ref 100290)

Item SVI #	OEM #	Req.	Description
51	BH-7111-20 83313	1	LH Track Structure
52	BH-7111-21 83314	1	RH Track Structure
53	BH-7111-22 83211	2	Cover Structure Slip Plate
54	BH-7107-01 83215	2	Slip Plate Retainer Sheet
55	BH-7107-02 81529	50	Ball Bearing - Retainer
56	F-LN-0500-13 83126	8	1/2-13 Lock Nut
57	BH-7111-24 83243	4	Pin Chain
58	BH-7111-25 83218	4	Leg Structure 30" Long
	BH-7111-26 83277	4	Leg Structure 24" Long
59	BH-7101-07 83221	4	Pull Pin
60	BH-7101-08 100290	4	Compression Spring
61	BH-7101-09 60698	4	Knob
62	BH-7111-27 83460	2	Front Stop & Chock Structure
63	BH-7111-28 83228	2	Plate Stand
64	BH-7111-29 83231	2	Ramp Structure
65	BH-7111-30 83237	4	Roller
66	BH-7111-31 83238	4	Pin Roller
67	BH-7111-32 83279	1	Bolster
112	BH-7101-12 83222	4	Tube Spacer

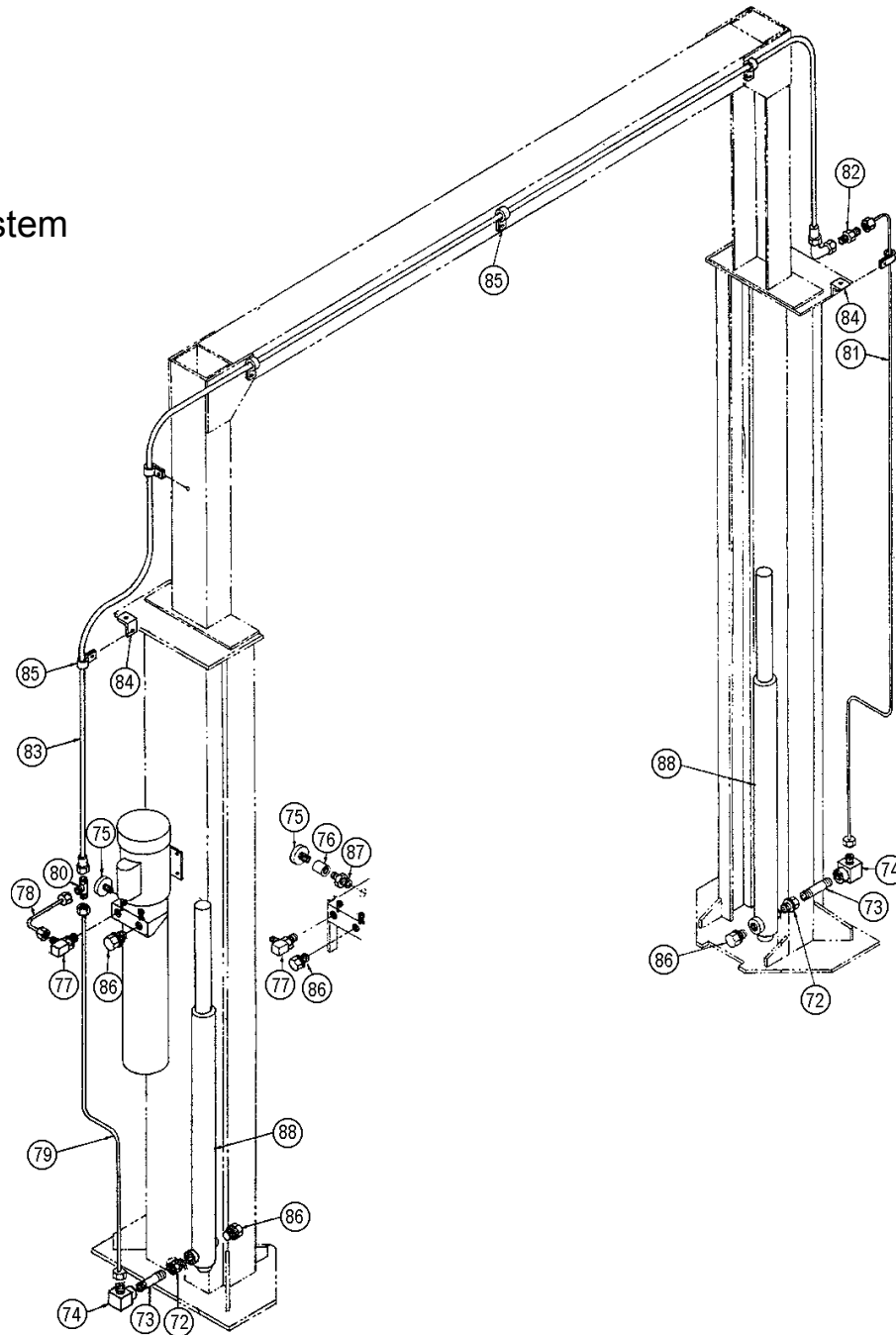
Item SVI #	OEM #	Req.	Description
-	BH-7111-33 83247	1	Turntable Mounting Pkg Ammco/FMC/Hunter/Bee Line
68	BH-7111-38 83252	2	Spacer Structure / Ammco ...
69	BH-7111-40 83256	4	Adjusting Bar 1/2" / Ammco ...
-	BH-7111-34 83248	1	Turntable Mounting Pkg/Bear
70	BH-7111-39 83257	2	Spacer Structure / Bear
69	BH-7111-41 83259	4	Adjusting Bar 1/2" / Bear
71	BH-7111-42 82360	4	Adjusting Bar 1/8" / Bear
-	BH-7111-35 83249	1	Turntable Mounting Pkg / Bender
69	BH-7111-43 83261	4	Adjusting Bar 1/2" / JH Bender
71	BH-7111-44 83262	4	Adjusting Bar 1/4" / JH Bender
-	BH-7111-36 83250	1	Turntable Mounting Pk/Bishamon
70	BH-7111-39 83257	2	Spacer Structure / Bishamon
71	BH-7111-45 83263	4	Adjusting Bar 1/4" / Bishamon
-	BH-7111-37 83251	1	Turntable Mounting Pkg Snap on
69	BH-7111-46 83264	4	Adjusting Bar 1/2" Snap-On
71	BH-7111-47 83265	4	Adjusting Bar 1/4" Snap-On

P
a
g
e
30

For Models ARTO, TPAO

DIRECTFIT™
SVI's DIRECT FIT™ BRAND

Hydraulic System



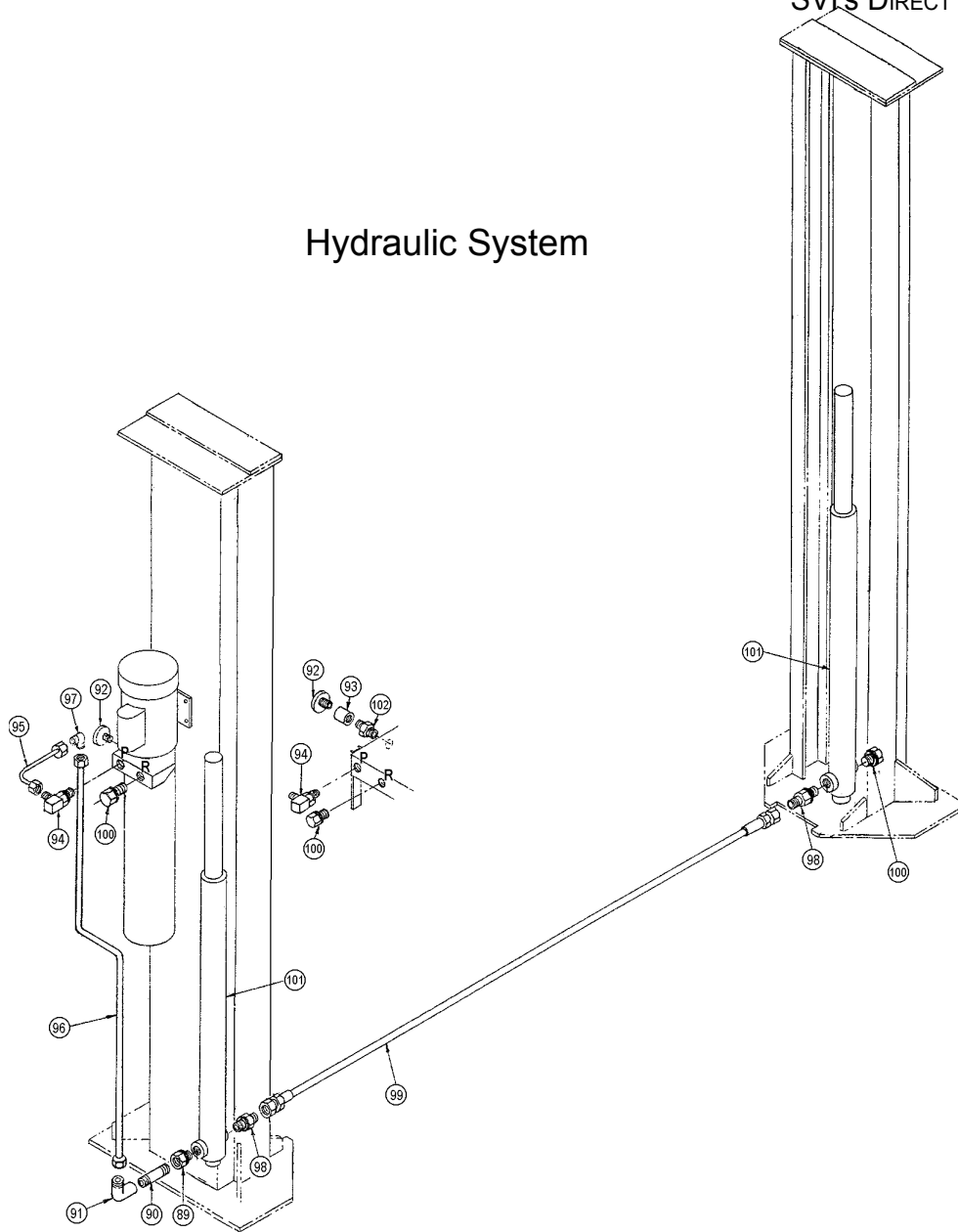
Item SVI #	OEM #	Req.	Description
72	BH-7102-92	80992	2 Female Adapter
73	BH-7111-64	100225	2 Pipe Nipple 1/4 x 5
74	BH-7102-93	100227	2 90° Elbow
75	BH-7101-61	80124	1 Dry Pressure Gauge
76	BH-7111-65	82066	1 Coupling (MTE Only)
77	BH-7110-63	82056	1 90° Male Elbow
78	BH-7111-66	82198	1 Tube Assy Upper 1/2 OD
79	BH-7111-67	82200	1 Tube Assy Lower 1/2 OD

Item SVI #	OEM #	Req.	Description
80	BH-7111-72	100226	1 Union Tee 3/4-16 JIC
81	BH-7111-73	81898	1 Tube Assy Offside 1/2 OD
82	BH-7111-74	100230	1 Union Connector 3/4-16 JIC
83	BH-7111-75	81900	1 Hose Assy 3/8 ID x 3/4-16
84	BH-7111-76	81901	2 Hose Clamp Bracket
85	BH-7111-77	61412	6 Hose Clamp
86	BH-7110-66	100026	5 Hex Head Plug
87	BH-7111-71	61496	1 Hex Nipple (MTE Only)
88	BH-7100-63	81921	2 Hydraulic Cylinder

For Models ART, TPA

DIRECTFIT™
SVI's DIRECT FIT™ BRAND

Hydraulic System



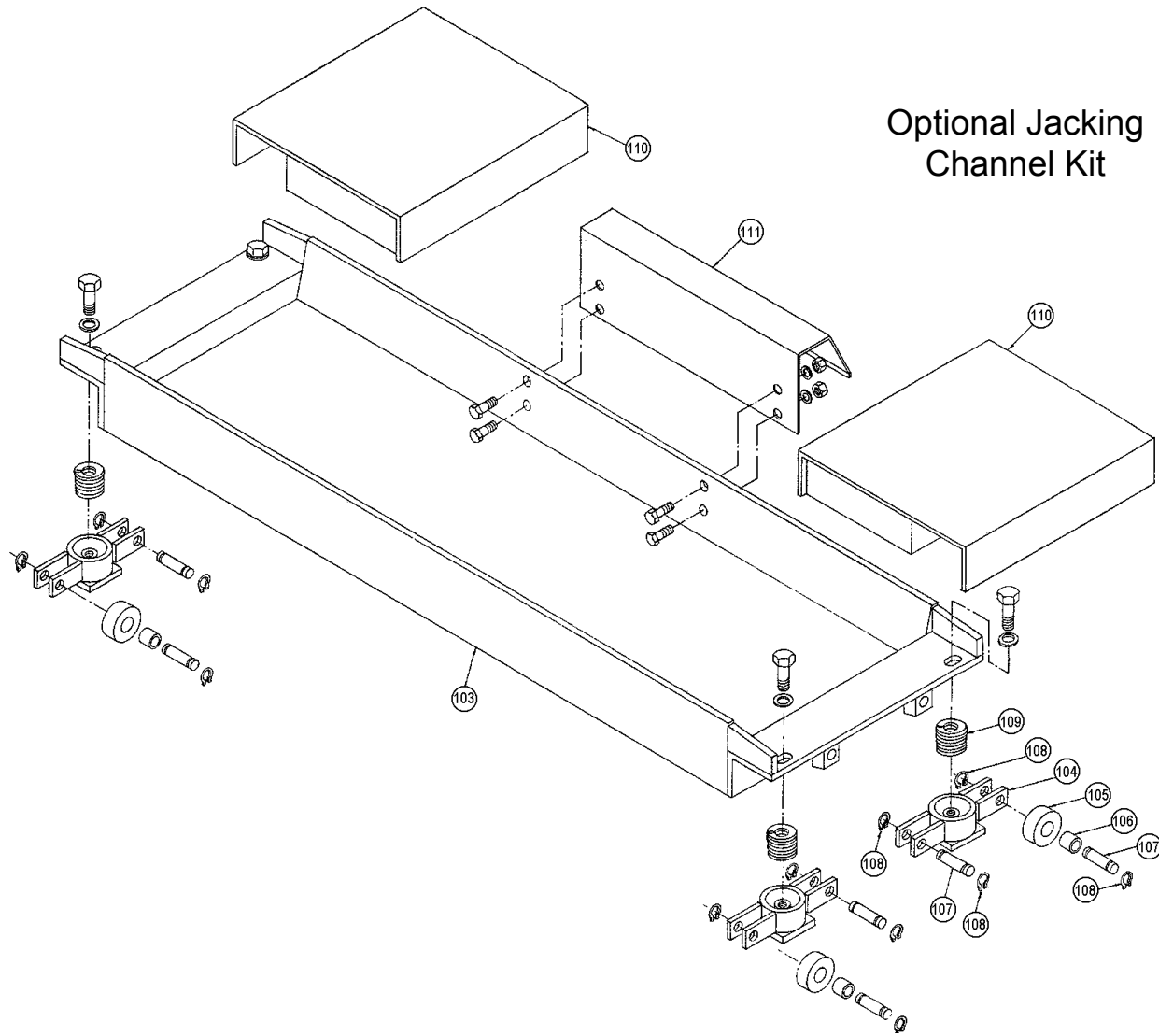
Item SVI #	OEM #	Req.	Description
96	BH-7111-67	82200	1 Tube Assy Lower 1/2 OD
97	BH-7111-68	81929	1 90° Elbow
98	BH-7111-69	60544	2 Tube Union
99	BH-7111-70	81916	1 Hose Assy 3/8
100	BH-7110-66	100026	2 Hex Head Plug
101	BH-7100-63	81921	2 Hydraulic Cylinder
102	BH-7111-71	61496	1 Hex Nipple (MTE Only)

Item SVI #	OEM #	Req.	Description
89	BH-7102-92	80992	1 Female Adapter
90	BH-7111-64	100225	1 Pipe Nipple 1/4 x 5
91	BH-7102-93	100227	1 90° Elbow
92	BH-7101-61	80124	1 Dry Pressure Gauge
93	BH-7111-65	82066	1 Coupling (MTE Only)
94	BH-7110-63	82056	1 90° Male Elbow
95	BH-7111-66	82198	1 Tube Assy Upper 1/2 OD

Page

For Models ART, ARTO, TPA, TPAO

DIRECTFIT™
SVI's DIRECT FIT™ BRAND



Optional Jacking Channel Kit

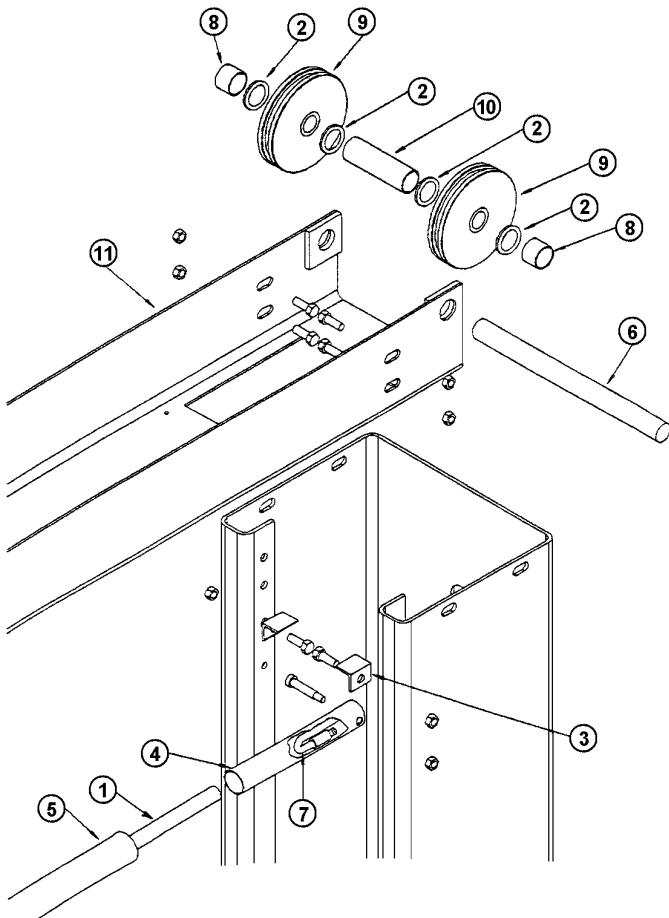
ItemSVI #	OEM #	Req.	Description
- BH-7111-53	83472	1	Jacking Channel
One Channel Consists of:			
- BH-7111-54	83473	1	Jacking Channel Assy
103 BH-7111-55	83413	1	Jacking Channel Structure
104 BH-7111-56	81550	4	Spring Support Structure
105 BH-7111-57	81556	4	Roller

ItemSVI #	OEM #	Req.	Description
106 BH-7111-58	81557	4	Bronze Bushing
107 BH-7111-59	81558	8	Pin
108 BH-7111-60	81559	16	Retaining Ring
109 BH-7111-61	81555	4	Die Spring
110 BH-7111-62	81570	2	Jack Support Structure
111 BH-7111-63	81574	1	Shield

For Models B2700 / B2900
 (7000 lb. capacity for models B2700 /
 9000 lb. capacity for model B2900)

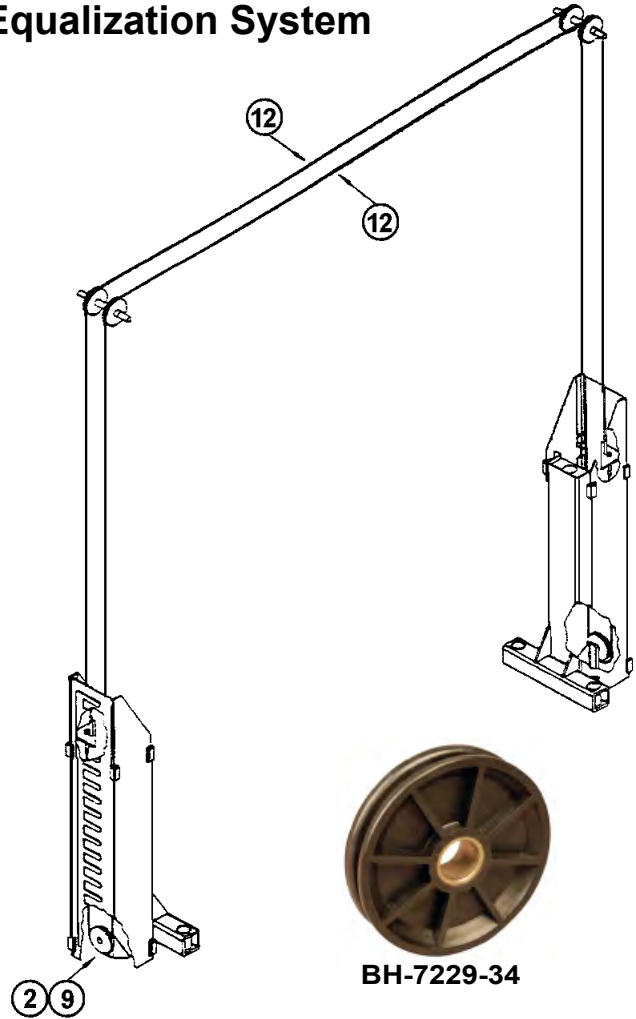
DIRECTFIT™
 SVI's DIRECT FIT™ BRAND

Overhead System



Item	SVI part #	OEM #	Req	Description
1	BH-7226-99	36035	1	Overhead Shutoff Bar Assembly
2	BH-7229-36	36013	1	1" Washer
3	BH-7229-80	36064	4	Clip Angle
4	BH-7226-97	36026	1	Switch Tube
5	BH-7225-68	31129	1	Cushion 1/2 Shutoff Bar
6	BH-7229-81	36024	2	Sheave Pin

Equalization System



Item	SVI part #	OEM #	Req	Description
7	BH-7229-37	36027	1	Mercury Limit Switch - 21' Cord
8	BH-7229-35	36087	4	Spacer 7/8"
9	BH-7229-34	36025	4	Pulley/Sheave Assembly
10	BH-7227-05	36086	2	Long Spacer
11	BH-7226-70	36034	1	Overhead Crossbeam
12	BH-7229-30	36036	2	Eq. Cable 33' 10"



BH-7229-34



**Mercury Limit
 Switch
 21' Cord**

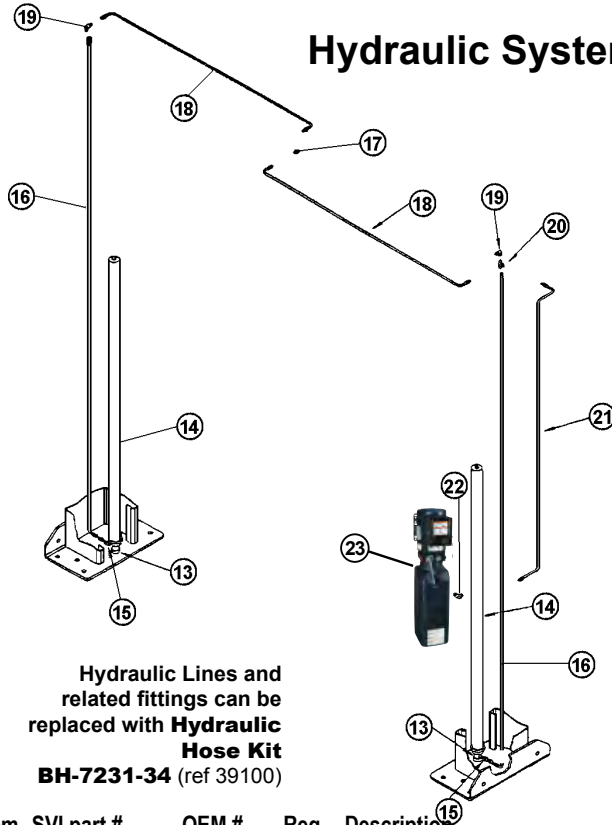
BH-7229-37
 (OEM Ref 36027)



For Models B2700 / B2900 (7000 lb. capacity for models B2700 / 9000 lb. capacity for model B2900)

DIRECTFIT™
SVI's DIRECT FIT™ BRAND

Hydraulic System



*** Hydraulic Lines and related fittings can be replaced with **Hydraulic Hose Kit BH-7231-34** (ref 39100)

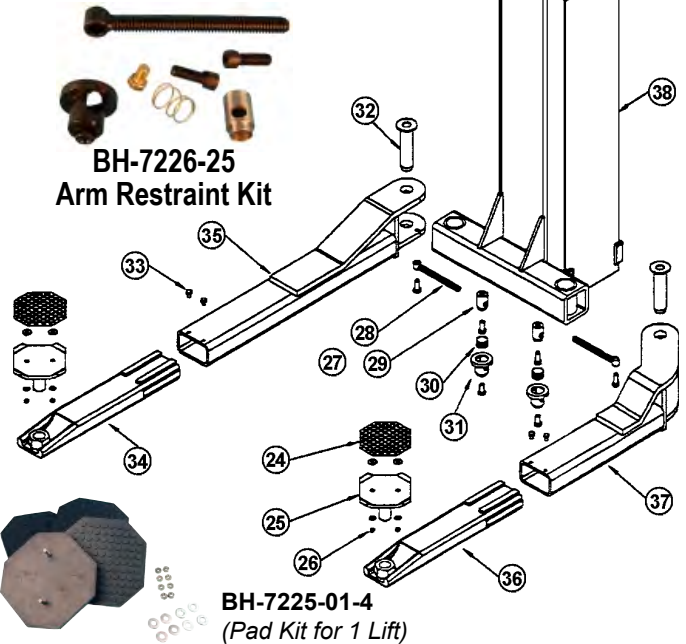
Item	SVI part #	OEM #	Req	Description
***	BH-7231-34	39100		Hydraulic Hose Kit
---	call for details	39101-048		Hydraulic Hose for B2900 2' EXT
13	F-HN-0250-20	31061	2	Push Nut 1/4"
14*	BH-7231-21	36115	2	Hydraulic Cylinder
15	BH-7228-45	31116	2	Union O-Ring x Tube
16	BH-7229-82	36049	2	Hydraulic Line
16**	BH-7231-34A	39100-266		Idler Cylinder Hose Assembly
16**	BH-7231-34B	39100-130		Power Cylinder Hose Assembly
17	BH-7229-61	31047	1	Straight Union
18	BH-7229-83	36032	2	Hydraulic Line - Overhead
19	BH-7227-45	36051	2	9/16 Swivel Elbow
20	BH-7226-83	31032	1	Union Tee Parker
21	BH-7229-68	36033	1	Hydraulic Line (Barnes)
21	BH-7229-84	36128	1	Hydraulic Line (Fenner)
21***	BH-7231-34C	39100-087		Power Unit Hose Assembly
22	F-A3405-6-6	31089	2	90° Elbow
23	BH-7006-01		1	2HP 1PH 3.5 Gal. Power Unit
	BH-7006-03		1	2HP 3PH 3.5 Gal. Power Unit
24	BH-7225-01	31057	4	Rubber Pads
	BH-7225-01-4	31057		Arm Pad Kit (4 pads for 1 lift)
25	BH-7225-03	31133	4	Adapter 3-1/2" w/Rubber Pad
26	F-HN-0250-20	31061	8	Push Nut 1/4"
27	BH-7226-25	31052	4	Arm Restraint Kit w/Hardware
27a	BH-7226-57		1	Arm Restraint Kit - Complete Lift
28	BH-7229-62	31110	4	Link Weldment
29	BH-7229-40	31108	4	Arm Restraint Insert
30	BH-7229-60	31109	4	Spring
31	BH-7229-41	31107	4	Sleeve Weldment

* Call with serial number to order seal kit

All names, numbers, symbols and descriptions are used for reference purposes only. It is not implied that any part listed is the product of these manufacturers. AMMCO is a registered trademark of Hennessy Industries, Inc. SVI does not represent and is not associated in any way with any other companies.

Carriage Arm Assembly

** If slider blocks have dropped out of carriage, order **oversize slider blocks**.
BH-7225-23 or BH-7225-23OS **Slotted**
BH-7225-63 or BH-7225-64 **Solid**
These lifts could have combination of slotted or solid (8 each per lift). Please check the style(s) of slider blocks on your lift and call an SVI rep today!
Call 800-321-8173.



Item	SVI part #	OEM #	Req	Description
32	BH-7225-15	31134	4	Arm Pin 1-1/2" x 6"
	BH-7225-15A		4	Arm Pin - Call with Size
	BH-7225-15B		4	Arm Pin - Call with Size
	BH-7225-15C		4	Arm Pin - Call with Size
33	F-HC-0375-16-0750	31305	8	Ext. Stop Bolts 3/8-16 x 3/4
34	BH-7227-56	37044	2	Arm Inner Rear for B2700
	BH-7226-69C	39074	2	Arm Inner Rear for B2900
35	BH-7226-69	39017	2	Female Arm Outer-Rear Assy for B2700 / B2900
36	BH-7227-58	37047	2	Arm Inner Front for B2700
	BH-7226-69B	39019	2	Arm Inner Front for B2900
37	BH-7228-76	39076	1	Arm Outer LF for B2700 / B2900
	BH-7228-76A	39077	1	Arm Outer RF for B2700 / B2900
38	BH-7227-64	37086	2	Carriage 3" Lock Intervals for B2700
	BH-7227-79	39053	2	Carriage 3" Lock Intervals for B2900
38a	BH-7229-85	11099	2	Carriage 6" Lock Intervals for B2700
	BH-7229-86	11100	2	Carriage 6" Lock Intervals for B2900
39	BH-7225-23	31023	**	Slotted Slider Block
	BH-7226-63	36011	**	Solid Slider Block
	BH-7225-23OS	11036	**	Oversize Slotted Slider Blocks
	BH-7226-64	11077	**	Oversize Solid Slider Blocks

For Models B2700 / B2900
 (7000 lb. capacity for models B2700 /
 9000 lb. capacity for model B2900)

DIRECTFIT™
 SVI'S DIRECT FIT™ BRAND

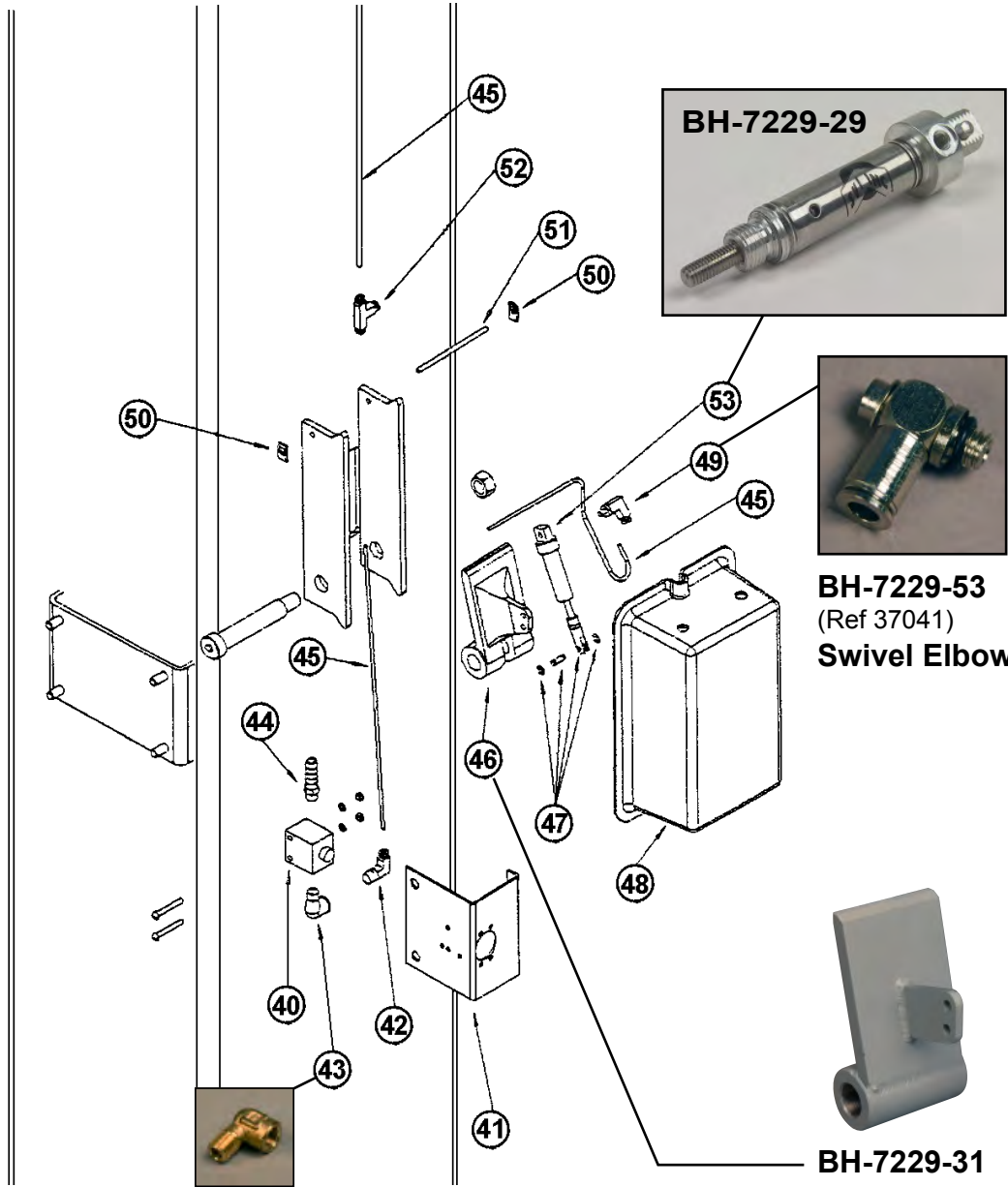
Air Lock Release System



BH-7229-70
 (Ref 37072)
Lock Cover
 (Snap On)



Lock Release
Air Valve Switch
BH-7228-73



Item	SVI part #	OEM #	Req	Description
40	BH-7228-73	37016	1	Lock Release Air Valve Switch
41	BH-7229-87	37015	1	Valve Bracket
42	BH-7228-78	37019	1	90° Elbow
43	BH-7229-88	37020	1	90° Elbow
44	BH-7229-89	37021	1	3/8" Hose Barb
45	BH-7229-90	37035	1	Air Line
46	BH-7229-31	37081	2	Lock Pawl
47	BH-7229-52	37029	2	Air Cylinder Clevis B2700 & B2900
	BH-7229-57			Lock Pin for Air Cylinder

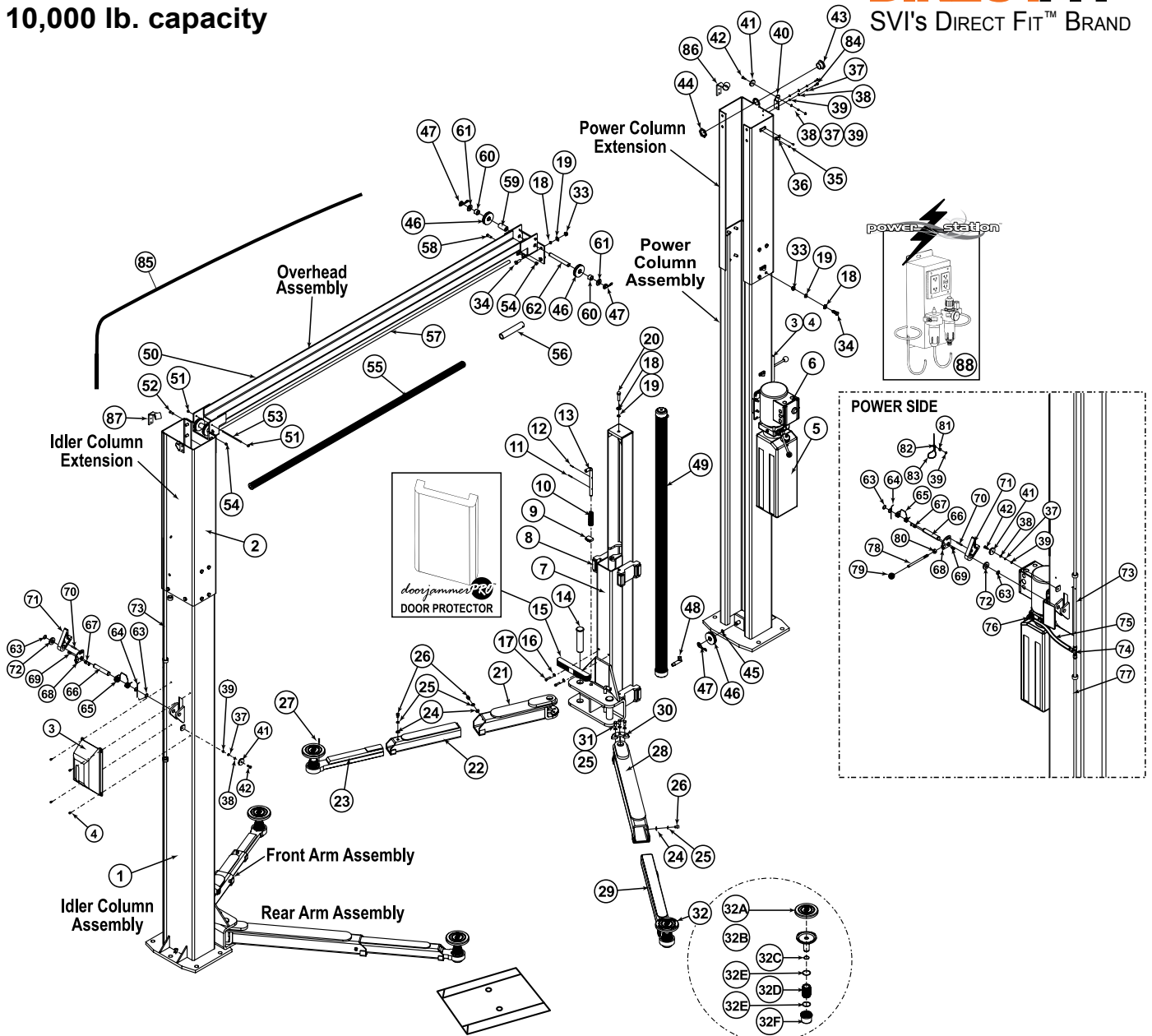
Item	SVI part #	OEM #	Req	Description
48	BH-7229-70	37072	2	Lock Cover (Snap On)
	BH-7229-70M	37072	2	Lock Cover (Molded)
	BH-7227-55 (NLA)	37034	2	Cover (Bolt On)
49	BH-7229-53	37041	2	Swivel Elbow
50	BH-7229-54	37031	4	Speed Nut
51	BH-7229-55	37042	2	Pivot Rod Element
52	BH-7228-77	37032	1	Union Tee 1/8 Tube
53	BH-7229-29	37026	2	Air Cylinder

P
a
g
e

For Model ACD210S

10,000 lb. capacity

DIRECTFIT™
SVI's DIRECT FIT™ BRAND



ItemSVI #	OEM #	Req.	Description
1	BH-7234-463 JSJ5-02-01-00CH	1	Power Column Weldment
1	BH-7234-464 JSJ5-02-01-00FCH	1	Idler Column Weldment
2	BH-7234-465 JSJ5-02-02-00CH	1	Power Extension Weldment
2	BH-7234-466 JSJ5-02-02-00FCH	1	Idler Extension Weldment
3	BH-7234-31 JSJ5-02-14	1	Power Lock Cover
3	BH-7234-32 JSJ5-02-14f	1	Idler Lock Cover
4	BH-7233-211 X10-065	8	Screw
5	BH-7006A-21 31368-21	1	Power Unit
6	Request Details X10-048	4	Nut M8
7	BH-7234-434 JSJA-08-00CH	2	Carriage
8	BH-7234-51 JSJ5-08-15	16	Carriage Slider Block
9	BH-7234-26 JSJ4-12	4	Arm Restraint Engage Gear
10	BH-7234-27 JSJ4-14	4	Arm Restraint Spring
11	BH-7234-30 X10-081	4	Arm Restraint Spring Pin 4 x 30

ItemSVI #	OEM #	Req.	Description
12	BH-7234-29 X10-080	4	Arm Restraint Spring Pin 4 x 24
13	BH-7234-28 JSJ5-13	4	Arm Restraint Pin
14	BH-7234-47 JSJ5-11	4	Swing Arm Pin
15	BH-7234-435 JSJ4-05	2	Door Damage Guard Strip
15	BH-7077-02-2	2	24" doorJammer Pro - pair
15	BH-7077-02-1	1	24" doorJammer Pro - individual
15	BH-7077-02-2S	2	12" doorJammer Pro - pair
16	BH-7234-436 X10-087	4	Washer 8mm
17	BH-7234-437 X10-088	4	Bolt M8 x 30
18	BH-7233-240 X10-038	28	Washer 12mm
19	BH-7233-216 X10-039	28	Spring Washer 12mm
20	BH-7234-441 X10-092	2	Bolt M12 x 45
21	BH-7234-440 JSJB100100	2	Front Female Arm
22	BH-7234-439 JSJB100200	2	Front Intermediate Arm

All names, numbers, symbols and descriptions are used for reference purposes only. It is not implied that any part listed is the product of these manufacturers. *AMMCO is a registered trademark of Hennessy Industries, Inc. SVI does not represent and is not associated in any way with any other companies.



For Model ACD210S

10,000 lb. capacity

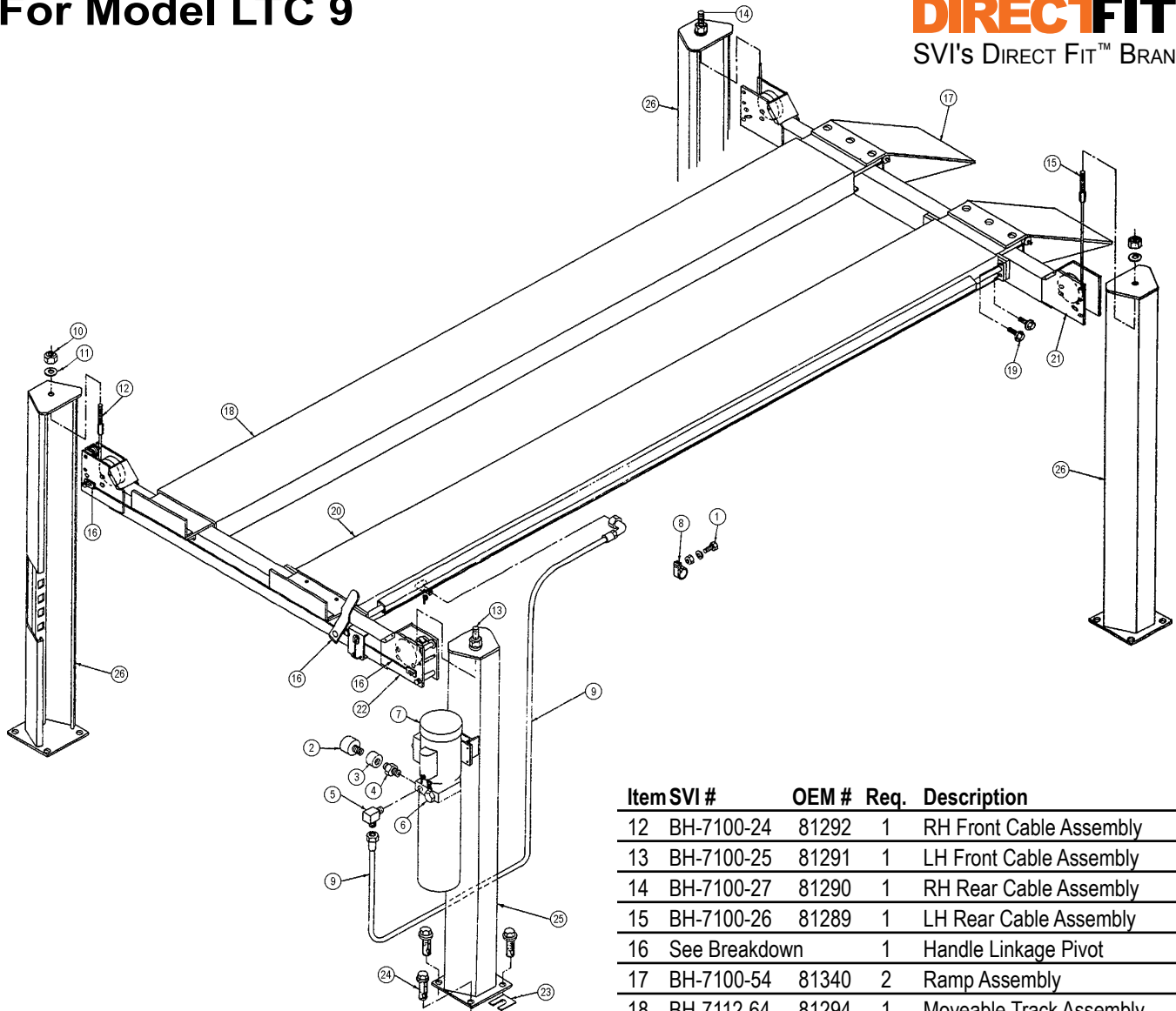
DIRECTFIT™
SVI's DIRECT FIT™ BRAND

ItemSVI #	OEM #	Req.	Description
23	BH-7234-438	JSJ5B100300CH 2	Front Male Arm
24	BH-7234-447	X10-073 6	Washer 10mm
25	BH-7234-448	B31037 18	Spring Washer 10mm
26	BH-7234-449	X10-075 6	Screw M10
27	BH-7234-307	B2211 4	Roll Pin, ø6 x 30
28	BH-7234-446	JSJ5B090100B 2	Rear Female Arm
29	BH-7234-445	JSJ5B090200CH 2	Rear Inner Arm
30	BH-7234-25	JSJ5-09-07 4	Main Gear
31	BH-7233-212	X10-077 12	Inner Gear Bolt
32	BH-7232-98	B2260 4	Adapter Base Assembly
32	BH-7232-98GMT		Specialty Adapter Base and Pad (Set of 2) for 2019+ Chevy / GMC Trucks
32	BH-7232-98GMT-1		Specialty Adapter Base and Pad (1) for 2019+ Chevy / GMC Trucks
32A	BH-7232-93	B2208 4	Rubber Arm Pad
32A	BH-7232-93-4	B2208 -	Rubber Arm Pad Kit (Set of 4)
32B	Request Details	B2262 4	Foot Pad Weld
32C	BH-7234-303	B17256 4	2 x 30 Retaining Ring
32D	BH-7234-304	B2261 4	Threaded Insert for Adapter
32E	BH-7234-305	B17257 8	Round Wire Retaining Ring
32F	BH-7234-443	B17276-1 4	Threaded Insert
33	BH-7233-217	X10-040 28	Nut M12
34	BH-7234-467	X10-037 28	Bolt M12 x 30
35	BH-7234-453	X10-049 10	Bolt M5 x 8
36	BH-7234-454	JSJ5-02-02-03 5	Plate-Shutoff Cord Clamp
37	BH-7233-238	X10-033 12	Spring Washer 6mm
38	BH-7233-237	X10-032 12	Washer 6mm
39	BH-7233-239	X10-034 13	Nut M6
40	BH-7234-16	JSJ4-02-11-00 1	LH Pulley Bracket
40	BH-7234-17	JSJ4-02-11-00F1	RH Pulley Bracket
41	BH-7234-24A	JSJ4-02-09 4	Lock Release Pulley
42	BH-7234-24B	JSJ4-02-08 4	Lock Release Pulley Axle
43	BH-7234-456	JSJ4-02-17 2	Hose Guide
44	BH-7234-457	JSJ4-02-18 2	Hose Guide Nut
45	BH-7234-423	X10-099 4	Washer
46	BH-7234-40	JSJ3-03-02 6	Pulley / Sheave
47	BH-7234-422	X10-054 6	Cotter Pin
48	BH-7234-62	JSJ6-19 2	O-Ring Elbow
49	BH-7234-231	JSJ5-07-00CHA 2	Cylinder with 68" Stroke
50	BH-7234-442	JSJ5-03-01-00CH 1	Overhead Weldment
51	BH-7234-428	B31061 4	Lock Nut

ItemSVI #	OEM #	Req.	Description
52	BH-7234-451	X10-063 1	Bolt M8
53	BH-7234-429	JSJ5-03-07ch 2	Cable Trapping Rod
54	BH-7234-433	X10-096 2	Lock Nut
55	BH-7234-229	JSJ5-03-03 1	Shutoff Bar Cushion
56	BH-7231-35	12045 1	Limit Switch
57	BH-7234-450	JSJ5-03-02CH 1	Shutoff Bar
58	BH-7234-452	X10-060 2	Bolt M8 x 25
59	BH-7234-43	JSJ4-03-05 2	Cable Sheave Spacer - Long
60	BH-7233-220	JSJ4-03-06 4	Spacer
61	BH-7233-218	X10-055 4	Washer
62	BH-7234-41	JSJ4-03-03 2	Axle
63	BH-7234-462	X10-020 4	Retaining Ring
64	BH-7234-36	JSJ5-02-13 2	Lock Release Spring - Single Loop
65	BH-7234-37	JSJ5-02-07 2	Lock Release Spring - Double Coil
66	BH-7234-38	JSJ5-02-04 2	Lock Release Shaft
67	BH-7234-39	JSJ5-02-12 2	Lock Release Wire Pin
68	BH-7234-18	JSJ5-02-10 2	Lock Release Cam
69	BH-7234-459	X10-026 2	Bolt
70	BH-7234-460	X10-027 2	Spring Pin
71	BH-7234-35	JSJ5-02-03 2	Lock Pawl
72	BH-7234-458	X10-029 2	Washer
73	BH-7234-54	JSJ4-18 1	Non Power Unit Side Hose
74	BH-7234-468	JSJ4-15 1	Union Tee
75	BH-7233-84	JSJ5-17CH 1	Power Unit Hose
76	BH-7234-469	JSJ5-19 1	O-Ring Fitting Elbow
77	BH-7234-236	JSJ4-16 1	Hose for Power Side
78	BH-7234-70	JSJ5-02-06 1	Lock Release Stud
79	BH-7234-78	JSJ3-01-02-2-9 1	Lock Release Knob
80	BH-7234-461	X10-019 1	Nut M10
81	BH-7233-242	JSJ5-06-02 1	Sleeve for Lock Release Cable
82	BH-7233-241	JSJ5-06-01 1	Clamp for Lock Release Cable
83	BH-7234-24	JSJ5-06CH 1	Lock Release Cable
84	BH-7234-455	X10-051 8	Bolt M6 x 20
85	BH-7234-412	JSJ5-04-00CH 2	Equalizer Cable 389"
85	BH-7234-412F	JSJ5-04-00CH 2	Equalizer Cable 391"
85	BH-7234-412H	JSJ5-04-00CHH 2	Equalizer Cable 437-1/2"
86	BH-7234-430	JSJ5-02-03-00Q 1	Hose Guide, Power Column
87	BH-7234-431	JSJ5-02-03-00fQ 1	Hose Guide, Idler Column
88	BH-7070-K		PowerStation - Black (other colors available)
-	BH-7234-432	X10-095 8	Nut M16 (not shown)

For Model LTC 9

DIRECTFIT™
SVI's DIRECT FIT™ BRAND



Item SVI #	OEM #	Req.	Description
1	BH-7112-69	100111	1 Hex Screw includes:
	BH-7112-24	100159	1 Lock Washer
	BH-7112-23	100102	1 Hex Nut
2	BH-7101-61	80124	1 Dry Pressure Guage
3	BH-7111-65	82066	1 Coupling (MTE Only)
4	BH-7111-71	61496	1 Hex Nipple
5	BH-7110-63	82056	1 90° Elbow
6	BH-7110-66	100026	1 Plug
7	BH-7006-01	1	Power Unit 1 PH, 2 HP
8	BH-7112-68	80839	1 Hose Clamp
9	BH-7112-67	81321	1 Hose Assembly 3/8
10	BH-7112-66	80427	8 Nylock Hex Nut
11	BH-7112-65	100170	8 Flat Washer

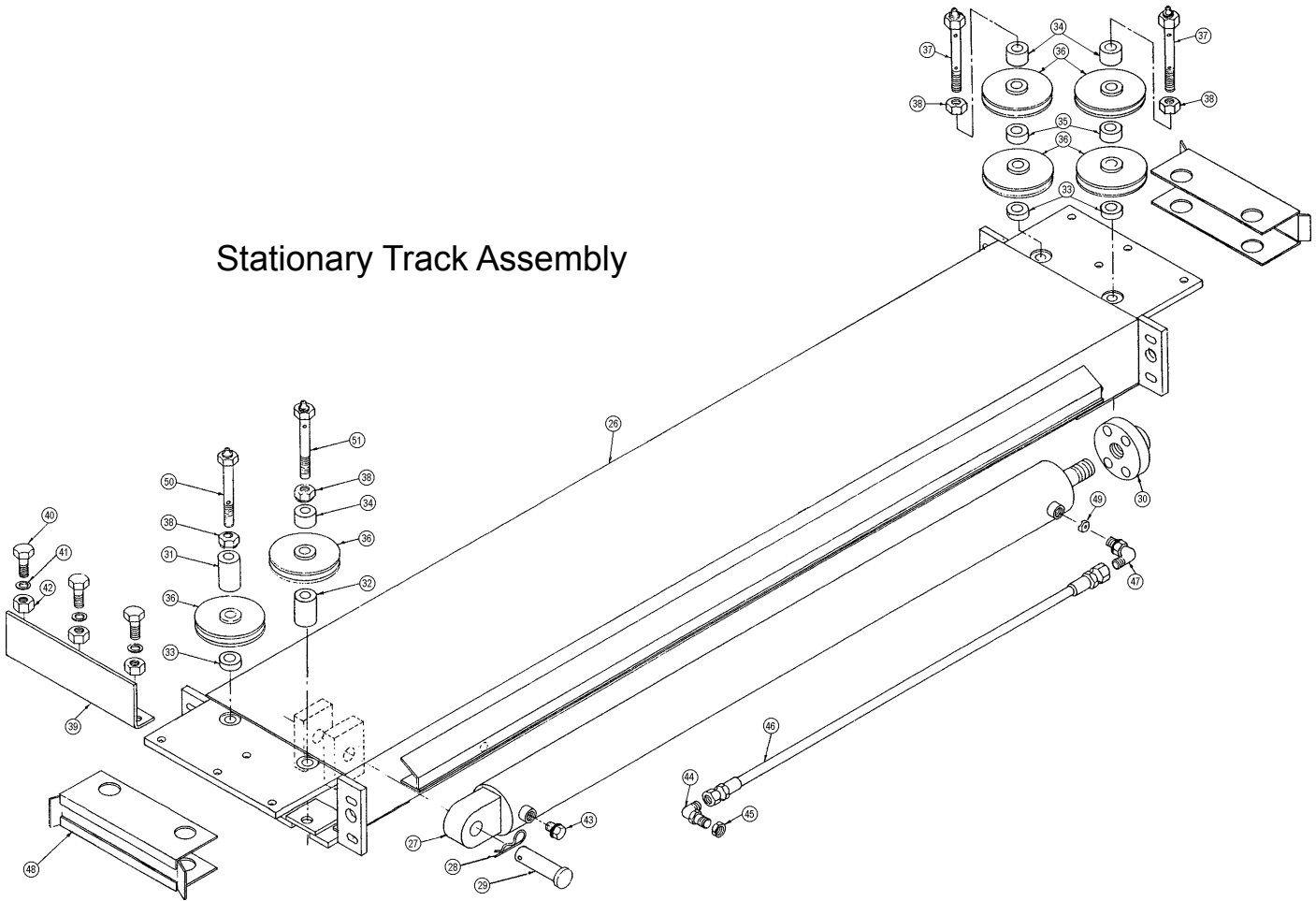
Item SVI #	OEM #	Req.	Description
12	BH-7100-24	81292	1 RH Front Cable Assembly
13	BH-7100-25	81291	1 LH Front Cable Assembly
14	BH-7100-27	81290	1 RH Rear Cable Assembly
15	BH-7100-26	81289	1 LH Rear Cable Assembly
16	See Breakdown	1	Handle Linkage Pivot
17	BH-7100-54	81340	2 Ramp Assembly
18	BH-7112-64	81294	1 Moveable Track Assembly
19	BH-7112-63	100304	8 HFHSL Screw
20	BH-7112-62	81295	1 Stationary Track Assembly
21	BH-7112-61	81265	1 Rear Cross Tube Assembly
22	BH-7112-60	81264	1 Front Cross Tube Assembly
23	BH-7512-92	80589	1 Shim Kit 150 pcs, 3 sizes
24	BH-7075-03L	80062	16 3/4 x 5-1/2" Wedge Anchors
25	BH-7112-59	81262	1 Post Structure w/Power Unit
26	BH-7112-58	81261	3 Post Structure
*	BH-7112-70	83656	2 Tire Chock
*	BH-7112-71	80333	1 Free Wheel Device Consists of:
*	BH-7112-72	80334	1 Wide Side Assembly
*	BH-7112-73	80335	1 Narrow Side Assembly
*	BH-7112-74	80777	4 Retaining Pin Structure
*	BH-7112-75	100110	4 Hair Pin Clip
* Not Pictured			

For Model LTC 9

DIRECTFIT™

SVI's DIRECT FIT™ BRAND

Stationary Track Assembly



Item SVI #	OEM #	Req.	Description
-	BH-7112-62	81295	1 Stationary Track Assembly
26	BH-7112-76	81299	1 Stationary Track Structure
27	BH-7103-15	81311	1 Seal Kit for Hydraulic Cylinder
28	BH-7112-75	100110	1 Hair Pin Clip
29	BH-7112-77	81312	1 Cylinder Pin
30	BH-7112-78	81313	1 Cylinder Adapter
31	BH-7102-02	81316	1 Spacer RH Top
32	BH-7112-79	81315	1 Spacer LH Bottom
33	BH-7102-01	81317	3 Spacer Bottom
34	BH-7102-04	81314	3 Spacer Top
35	BH-7102-05	81323	2 Spacer Center Rear
36	BH-7100-32	82675	6 Cable Sheave Assembly
37	BH-7112-80	82676	2 Hex Screw Assembly
38	BH-7102-00	80034	4 Nylock Nut
39	BH-7100-52	80629	1 Track Stop Angle
40	BH-7110-78	80453	3 Hex Screw

Item SVI #	OEM #	Req.	Description
41	F-LW-0500	100125	3 Lock Washer
42	BH-7112-82	100124	4 Hex Nut
43	BH-7112-83	82130	1 Breather Plug
44	BH-7112-84	81318	1 90° Bulkhead Adapter Elbow
45	BH-7112-85	60051	1 Bulkhead Nut
46	BH-7112-86	81320	1 Hose Assembly 3/8 ID
47	BH-7112-87	60368	1 90° O-Ring Elbow
48	BH-7112-88	81414	2 Cable Guide
*	BH-7100-26	81289	1 Cable Assy Cyl to LH Rear
*	BH-7100-27	81290	1 Cable Assy Cyl to RH Rear
*	BH-7100-25	81291	1 Cable Assy Cyl to LH Front
*	BH-7100-24	81292	1 Cable Assy Cyl to RH Front
*	BH-7112-66	80427	8 Nylock Hex Nut
49	BH-7102-49	81959	1 Orifice
50	BH-7112-89	82680	1 Hex Screw Assembly
51	BH-7112-90	82678	1 Hex Screw Assembly
*	Not Pictured		

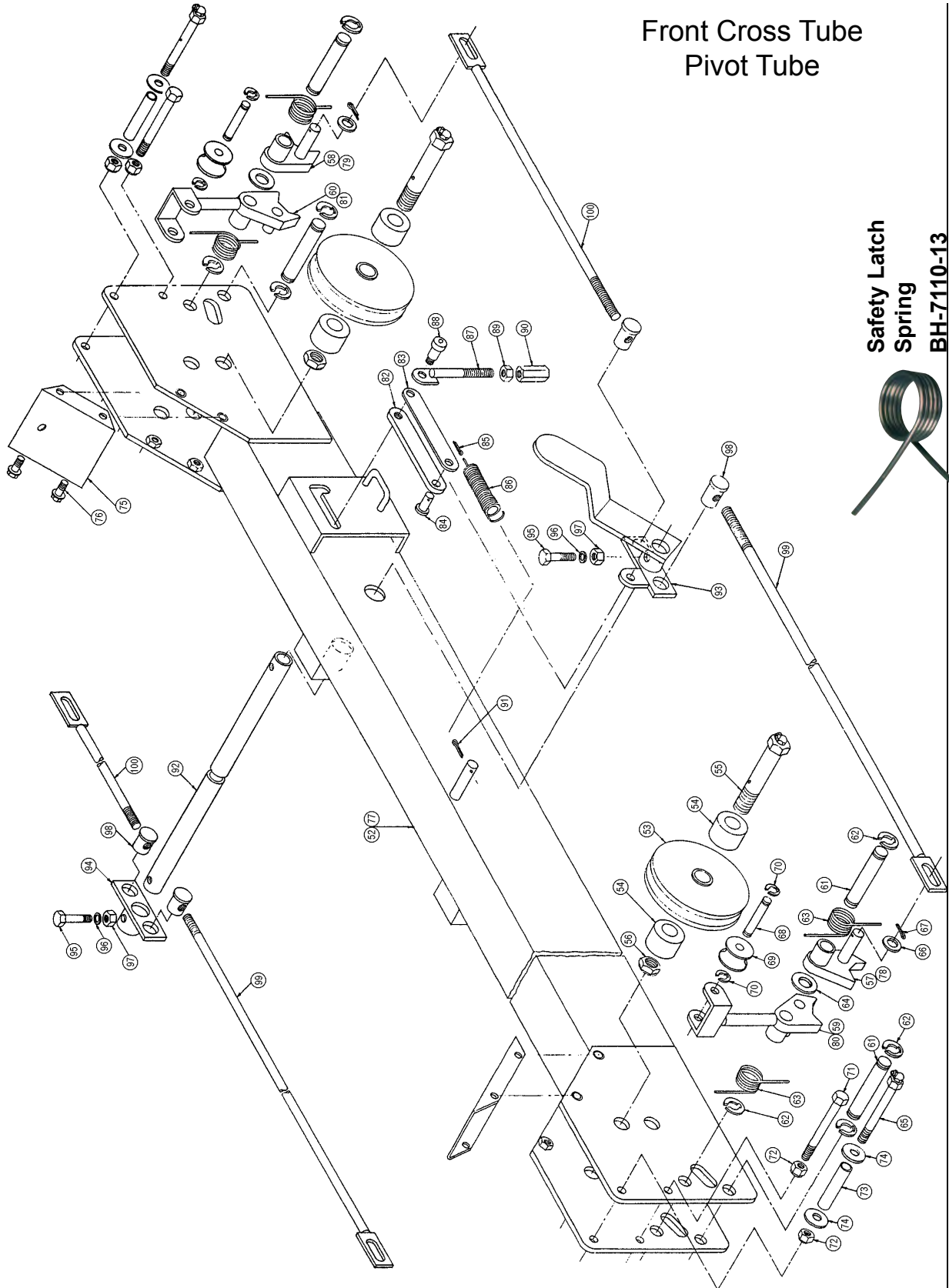
P
a
g
e

For Model LTC 9

DIRECTFIT™

SVI's DIRECT FIT™ BRAND

Front Cross Tube Pivot Tube



Safety Latch
Spring
BH-7110-13
(Ref 81072)





For Model LTC 9

DIRECTFIT™

SVI's DIRECT FIT™ BRAND

Item SVI #	OEM #	Req.	Description
-	BH-7112-60	81264	1 Front Cross Tube Assy #'s 52-76
52	BH-7112-91	81266	1 Front Cross Tube Structure
53	BH-7100-32	82675	2 Cable Sheave Assy includes:
	BH-7112-92	82492	1 Sheave
	BH-7112-93	82493	1 Bronze Bushing
54	BH-7112-94	81282	4 Spacer
55	BH-7112-95	82682	2 Hex Screw Assembly
56	BH-7102-00	80034	2 Nylock Nut
57	BH-7110-12	81068	1 LH Latch Catch
58	BH-7110-11	81069	1 RH Latch Catch
59	BH-7102-06	81275	1 Latch Structure
60	BH-7100-47	81276	1 Latch Structure
61	BH-7100-89	81073	4 Shaft
62	BH-7100-88	100276	8 Retaining Ring
63	BH-7110-13	81072	4 Safety Latch Spring
64	BH-7102-30	100155	2 Flat Washer
65	BH-7110-18	81479	2 Bolt w/Grease Fitting
66	BH-7110-26	100062	2 Flat Washer
67	F-CP-125-0750	100175	2 Cotter Pin
68	BH-7109-97	81280	2 Slack Chain Shaft
69	BH-7109-96	81279	2 Slack Chain Roller
70	BH-7100-86	80683	4 Retaining Ring
71	F-HC-0375-16-4000	81081	2 Hex Screw
72	F-NL-0375-16	81082	4 Hex Nut Nylock
73	BH-7102-31	81176	2 Tube Spacer
74	BH-7102-11	81206	4 Flat Washer
75	BH-7112-96	81283	2 Idler Cover
76	BH-7112-97	60912	8 Flanged Head Screw
-	BH-7112-61	81265	1 Rear Cross Tube Assy See Front Tube Layout
77*	BH-7113-02	81267	1 Rear Cross Tube Structure
53	BH-7100-32	82675	2 Cable Sheave Assy includes:
	BH-7112-92	82492	1 Sheave
	BH-7112-93	82493	1 Bronze Bushing
54	BH-7112-94	81282	4 Spacer
55	BH-7112-95	82682	2 Hex Screw Assembly
56	BH-7102-00	80034	2 Nylock Nut
78*	BH-7110-12	81068	1 LH Latch Catch
79*	BH-7110-11	81069	1 RH Latch Catch

Item SVI #	OEM #	Req.	Description
80*	BH-7100-47	81276	1 Latch Structure
81*	BH-7102-06	81275	1 Latch Structure
61	BH-7100-89	81073	4 Shaft
62	BH-7100-88	100276	8 Retaining Ring
63	BH-7110-13	81072	4 Safety Latch Spring
64	BH-7102-30	100155	2 Flat Washer
65	BH-7110-18	81479	2 Bolt w/Grease Fitting
66	BH-7110-26	100062	2 Flat Washer
67	F-CP-125-0750	100175	2 Cotter Pin
68	BH-7109-97	81280	2 Slack Chain Shaft
69	BH-7109-96	81279	2 Slack Chain Roller
70	BH-7100-86	80683	4 Retaining Ring
71	F-HC-0375-16-4000	81081	2 Hex Screw
72	F-NL-0375-16	81082	4 Hex Nut Nylock
73	BH-7102-31	81176	2 Tube Spacer
74	BH-7102-11	81206	4 Flat Washer
75	BH-7112-96	81283	2 Idler Cover
76	BH-7112-97	60912	8 Flanged Head Screw
-	See Front Cross Tube Layout	1	Pivot Tube Linkage
82	BH-7101-20	81102	1 Bar Tapped
83	BH-7101-22	81101	1 Bar
84	BH-7101-19	81103	1 Pin
85	F-CP-125-0750	100175	1 Cotter Pin
86	BH-7110-14	100154	1 Spring
87	BH-7101-23	81251	1 Trip Rod
88	BH-7101-21	81107	1 Shoulder Screw
89	BH-7105-08	100127	1 Nut
90	BH-7105-09	81253	1 Nut
91	F-CP-125-1000	100190	1 Cotter Pin
92	BH-7112-98	81284	1 Tube Structure Pivot
93	BH-7112-99	81138	1 Handle Structure
94	BH-7101-72	81092	1 Pivot Structure
95	BH-7101-55	81483	2 Hex Screw
96	BH-7112-24	100159	2 Lock Washer
97	BH-7112-23	100102	2 Hex Nut
98	BH-7110-20	81095	4 Pivot Pin
99	BH-7113-00	81285	2 Adjusting Rod Long
100	BH-7113-01	81287	2 Adjusting Rod Short

* Not pictured correctly in diagram

P
a
g
e



**Latch Structure
Catch RH**

BH-7110-11
(Ref 81069)

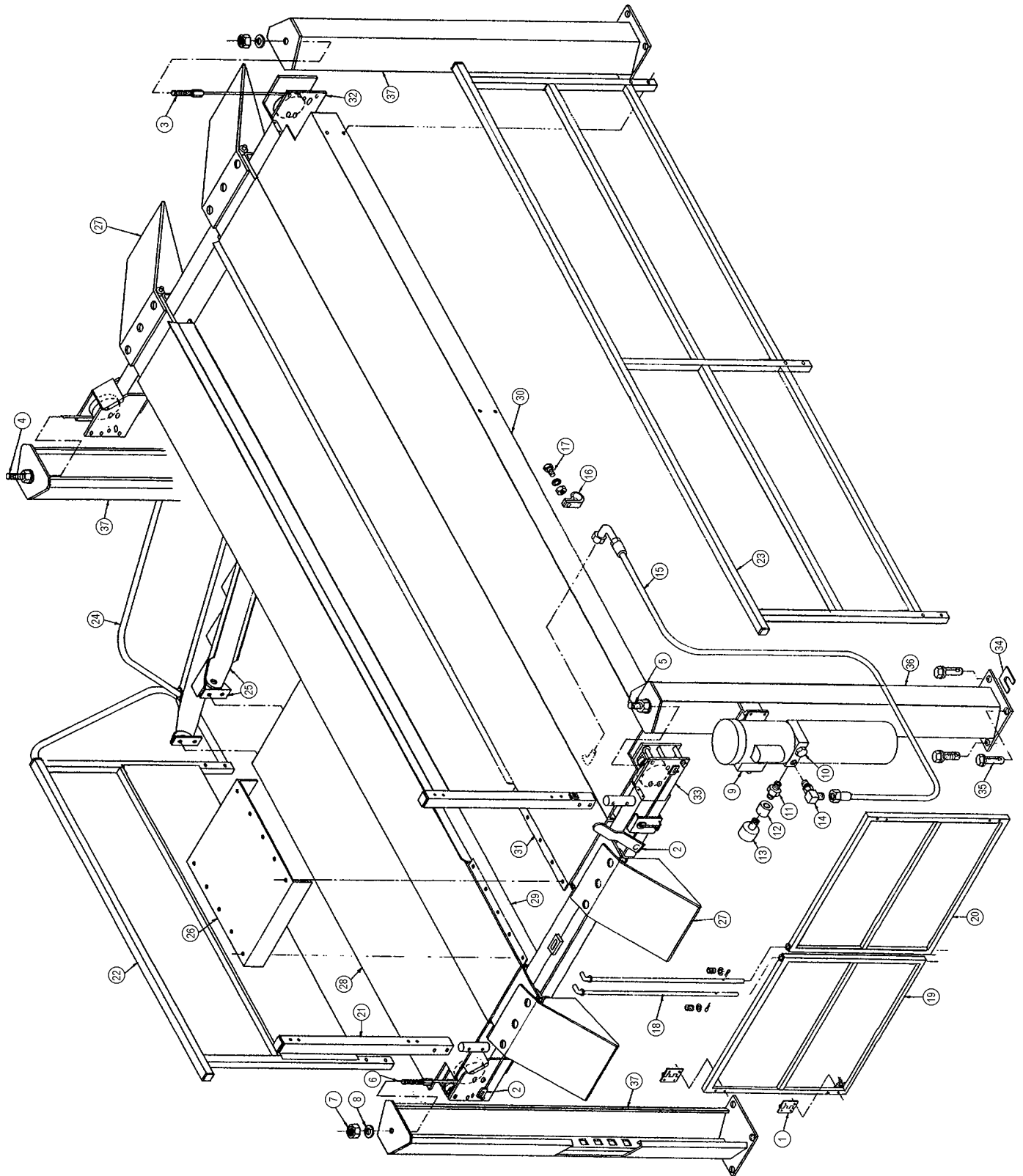


**Latch Structure
Catch LH**

BH-7110-12
(Ref 81068)

For Model QLR 2000

DIRECTFIT™
SVI's DIRECT FIT™ BRAND





For Model QLR 2000

DIRECTFIT™
SVI's DIRECT FIT™ BRAND

Item	SVI #	OEM #	Req.	Description
1	BH-7113-26	82556	4	Hinge
	BH-7113-27	100294	8	Machine Screw
	BH-7113-28	100099	16	Lock Washer
	BH-7113-29	100115	16	Hex Nut
	BH-7113-30	100309	8	Machine Screw
2	See Breakdown		1	Handle Linkage Pivot
3	BH-7100-30	82455	1	LH Rear Cable Assy
4	BH-7100-31	82456	1	RH Rear Cable Assy
5	BH-7100-29	82457	1	LH Front Cable Assy
6	BH-7100-28	82458	1	RH Front Cable Assy
7	BH-7112-66	80427	8	Nylock Hex Nut
8	BH-7112-65	100170	8	Flat Washer
9	BH-7006-01		1	Power Unit 1 PH, 2 HP
10	BH-7110-66	100026	1	Return Post Plug
11	BH-7111-71	61496	1	Hex Pipe Nipple
12	BH-7111-65	82066	1	Coupling (MTE Only)
13	BH-7101-61	80124	1	Dry Pressure Gauge
14	BH-7110-63	82056	1	90° Elbow
15	BH-7113-31	82587	1	Hose Assembly
16	BH-7111-77	61412	1	Hose Clamp
17	BH-7112-69	100111	1	Hex Screw
	BH-7112-24	100159	1	Lock Washer
	BH-7112-23	100102	1	Hex Nut
18	BH-7113-24	82673	2	Rod Structure Gate
	BH-7113-25	81530	2	Spring
	BH-7110-26	100062	2	Flat Washer
19	BH-7113-23	82542	1	Gate Structure RH
20	BH-7113-22	82541	1	Gate Structure LH
21	BH-7113-21	82670	2	Post Structure Gate
	BH-7113-07	100010	2	Hex Screw
	BH-7113-20	100209	4	Hex Screw
	BH-7110-76	100239	4	Hex Nut
22	BH-7113-19	82451	1	Handrail Structure RH
	BH-7113-20	100209	10	HFHSL Screw
	BH-7110-76	100239	10	HFHSL Nut
23	BH-7113-18	82589	1	Handrail Structure LH

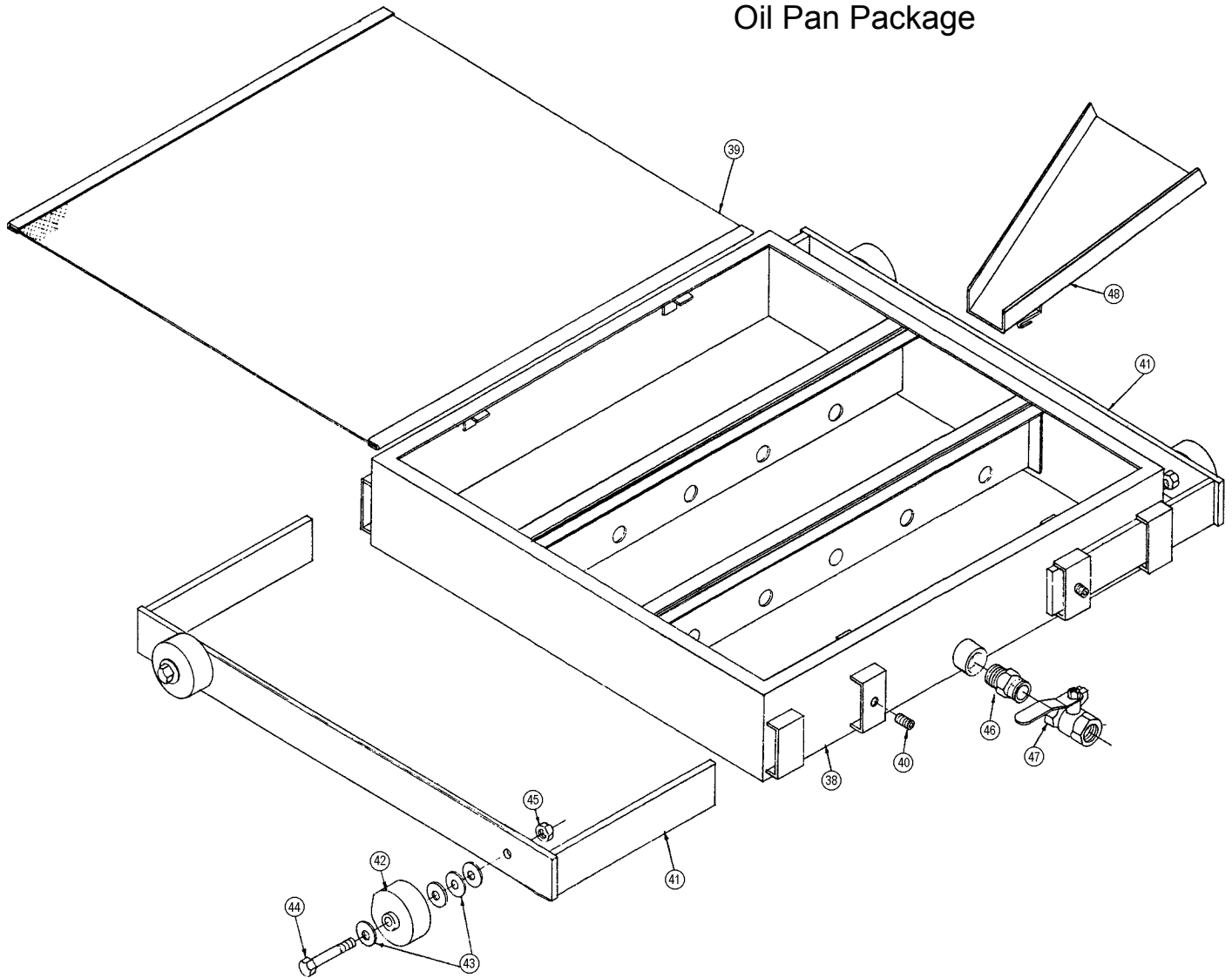
Item	SVI #	OEM #	Req.	Description
24	BH-7113-17	82729	1	Ladder Handrail Structure
	BH-7110-74	100238	2	HFHSL Screw
25	BH-7113-13	82684	1	Ladder Assembly
	BH-7113-14	82460	1	Ladder Structure
	BH-7113-15	82571	2	Wheel w/Bushing
	BH-7113-16	82459	2	Ladder Support
	BH-7110-74	100238	4	HFHSL Screw
	BH-7110-76	100239	4	HFHSL Nut
26	BH-7113-11	82450	1	Center Cover
	BH-7113-12	100307	10	Carriage Bolt
	BH-7110-75	100237	10	HFHSL Nut
27	BH-7113-10	81537	4	Ramp Assembly
28	BH-7113-09	82656	1	Track Extension Structure RH
	BH-7110-74	100238	8	HFHSL Screw to Track
	BH-7110-76	100239	8	HFHSL Nut to Track
	BH-7113-07	100010	2	Hex Screw
	BH-7112-63	100304	2	HFHSL Screw to Cross Tube
	BH-7110-82	100039	2	HFHSL Nut to Cross Tube
29	BH-7113-08	82428	1	Track Structure RH
	BH-7112-63	100304	4	HFHSL Screw to Cross Tubes
	BH-7110-82	100039	4	HFHSL Nut to Cross Tubes
30	BH-7113-06	82655	1	Track Extension Structure LH
	BH-7110-74	100238	12	HFHSL Screw to Track
	BH-7110-76	100239	12	HFHSL Nut to Track
	BH-7113-07	100010	3	Hex Screw
	BH-7112-63	100304	4	HFHSL Screw to Cross Tube
31	BH-7113-05	82425	1	Stationery Track Assy LH
	BH-7112-63	100304	8	HFHSL Screw to Cross Tubes
32	BH-7113-04	82544	1	Rear Cross Tube Assy
33	BH-7113-03	82543	1	Front Cross Tube Assy
34	BH-7512-92	80589	1	Shim Kit 150 pcs, 3 sizes
35	BH-7075-03L	80062	16	3/4 x 5-1/2" Wedge Anchor
36	BH-7112-59	81262	1	Post Structure w/Power Unit
37	BH-7112-58	81261	3	Post Structure
*	BH-7112-70	83656	2	Chock (Not Pictured)

For Model QLR 2000

DIRECTFIT™

SVI's DIRECT FIT™ BRAND

Oil Pan Package



Item SVI #	OEM #	Req.	Description
- BH-7113-32	82572	1	Oil Pan Assy (#'s 38-45)
38 BH-7113-33	82558	1	Oil Pan Structure
39 BH-7113-34	82687	1	Cover Structure
40 BH-7113-35	100052	4	Socket Head Set Screw
41 BH-7113-36	82566	2	Guide Structure
42 BH-7113-15	82571	4	Wheel w/Bushing

Item SVI #	OEM #	Req.	Description
43 BH-7113-37	100152	16	Flat Washer
44 BH-7113-38	100315	4	Hex Screw
45 BH-7113-39	100297	4	Thin Nylock Nut
46 BH-7113-40	100295	1	Hex Nipple
47 BH-7113-41	82565	1	Ball Valve
48 BH-7113-42	82732	1	Splash Pan Structure

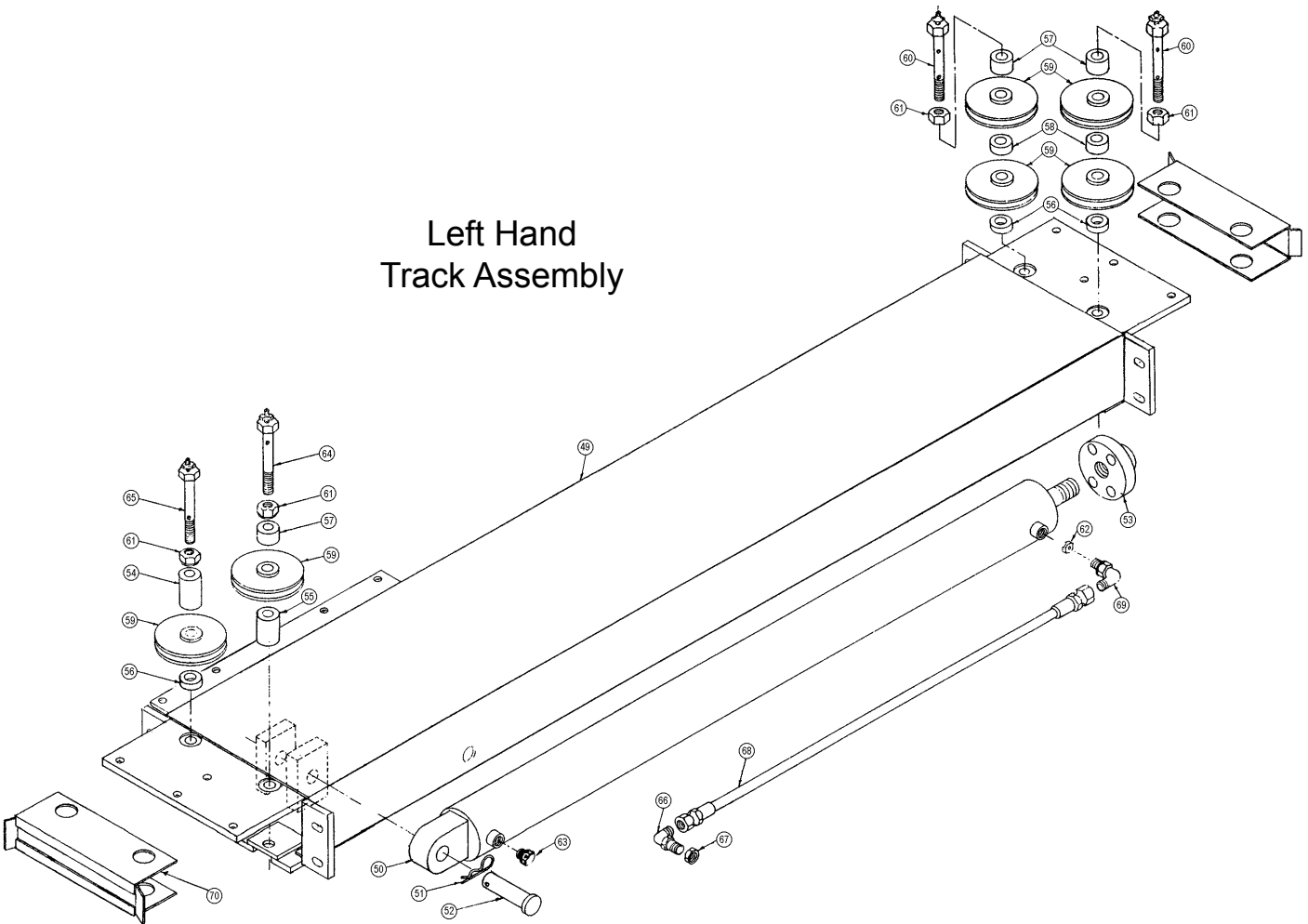


For Model QLR 2000

DIRECTFIT™

SVI's DIRECT FIT™ BRAND

Left Hand Track Assembly



Item	SVI #	OEM #	Req.	Description
-	BH-7113-05	82425	1	LH Track Assy Consists of:
49	BH-7113-43	82427	1	LH Track Structure
50	BH-7103-15	83018	1	Seal Kit for Cylinder
51	BH-7112-75	100110	1	Hair Pin Clip
52	BH-7112-77	81312	1	Cylinder Pin
53	BH-7112-78	81313	1	Cylinder Adapter
54	BH-7102-02	81316	1	Spacer RH Front Top
55	BH-7112-79	81315	1	Spacer LH Front Bottom
56	BH-7102-01	81317	3	Spacer Bottom
57	BH-7102-04	81314	3	Spacer Top
58	BH-7102-05	81323	2	Spacer Rear Center
59	BH-7100-32	82675	6	Cable Sheave Assy.
	BH-7112-92	82492	1	Sheave
	BH-7112-93	82493	1	Bronze Bushing
60	BH-7112-80	82676	2	Hex Screw Assy
	BH-7113-44	100305	1	Lubrication Fitting

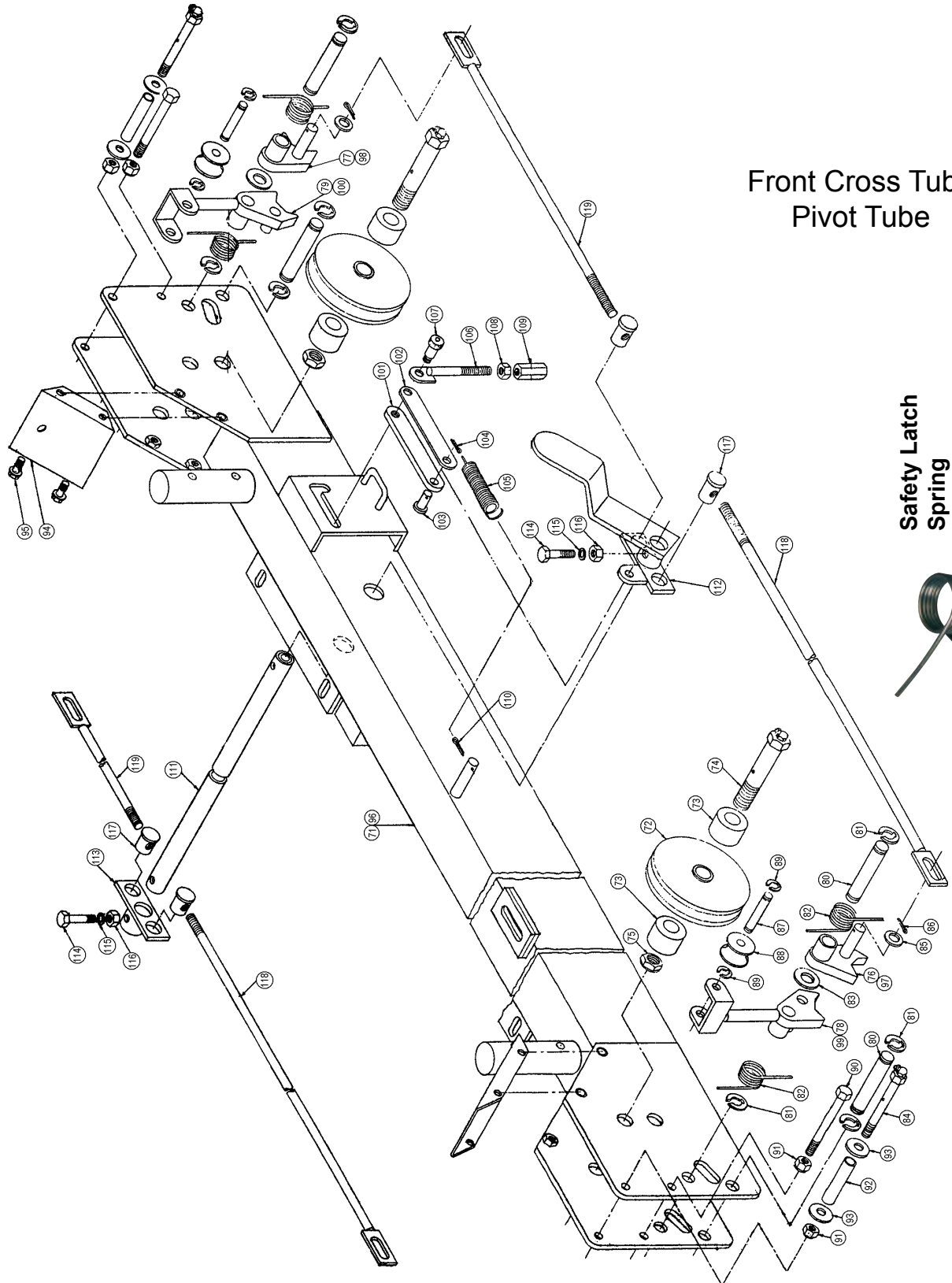
Item	SVI #	OEM #	Req.	Description
61	BH-7102-00	80034	4	Thin Nylock Nut
62	BH-7102-49	81959	1	Orifice
63	BH-7112-83	82130	1	Breather Plug
64	BH-7112-90	82678	1	Hex Screw Assembly
	BH-7113-44	100305	1	Lubrication Fitting
65	BH-7112-89	82680	1	Hex Screw Assembly
	BH-7113-44	100305	1	Lubrication Fitting
66	BH-7112-84	81318	1	90° Bulkhead Adapter Elbow
67	BH-7112-85	60051	1	Bulkhead Nut
68	BH-7112-86	81320	1	Hose Assembly 3/8 ID
69	BH-7112-87	60368	2	90° O-Ring Elbow
70	BH-7112-88	81414	2	Cable Guide Structure
*	BH-7100-30	82455	1	Cable Assy Cyl to LH Rear
*	BH-7100-31	82456	1	Cable Assy Cyl to RH Rear
*	BH-7100-29	82457	1	Cable Assy Cyl to LH Front
*	BH-7100-28	82458	1	Cable Assy Cyl to RH Front
*	BH-7112-66	80427	8	Cable Nylock Hex Nut

* Not Pictured

For Model QLR 2000

DIRECTFIT™

SVI's DIRECT FIT™ BRAND



Front Cross Tube Pivot Tube

**Safety Latch
Spring
BH-7110-13
(Ref 81072)**





For Model QLR 2000

DIRECTFIT™
SVI's DIRECT FIT™ BRAND

Item SVI #	OEM #	Req.	Description
-	BH-7113-03 82543	1	Front Cross Tube Assy #s 71-95
71	BH-7113-45 82466	1	Front Cross Tube Structure
72	BH-7100-32 83824	2	Cable Sheave Assembly 82675
	BH-7112-92 82492	1	Sheave
	BH-7112-93 82493	1	Bronze Bushing
73	BH-7102-04 81314	4	Spacer
74	BH-7112-95 82682	2	Hex Screw Assy
	BH-7113-46 81471	1	65° Grease Fitting
75	BH-7102-00 80034	2	Thin Nylock Nut
80	BH-7100-89 81073	4	Shaft
81	BH-7100-88 100276	8	Retaining Ring
82	BH-7110-13 81072	4	Torsion Spring
83	BH-7102-30 100155	2	Flat Washer
84	BH-7110-18 81479	2	Hex Screw Assy
	BH-7113-46 81471	1	65° Grease Fitting
85	BH-7110-26 100062	2	Flat Washer
86	F-CP-125-0750 100175	2	Cotter Pln
87	BH-7109-97 81280	2	Slack Chain Shaft
88	BH-7109-96 81279	2	Slack Chain Roller
89	BH-7100-86 80683	4	Retaining Ring
90	F-HC-0375-16-4000 81081	2	Hex Screw
91	F-NL-0375-16 81082	4	Nylock Hex Nut
92	BH-7102-31 81176	2	Tube Spacer
93	BH-7102-11 81206	4	Flat Washer
94	BH-7112-96 81283	2	Idler Cover
95	BH-7112-97 60912	8	Flanged Head Screw
-	BH-7113-04 82544	1	Rear Cross Tube Assy See Front Tube Layout
96	BH-7113-47 82465	1	Rear Cross Tube Structure
72	BH-7100-32 82675	2	Cable Sheave Assembly
	BH-7112-92 82492	1	Sheave
	BH-7112-93 82493	1	Bronze Bushing
73	BH-7102-04 81314	4	Spacer
74	BH-7112-95 82682	2	Hex Screw Assy
	BH-7113-46 81471	1	65° Grease Fitting
75	BH-7102-00 80034	2	Thin Nylock Nut
97*	BH-7110-12 81068	1	LH Latch Catch
98*	BH-7110-11 81069	1	RH Latch Catch
99*	BH-7102-07 81276	1	Latch Structure

Item SVI #	OEM #	Req.	Description
100*	BH-7102-06 81275	1	Latch Structure
80	BH-7100-89 81073	4	Shaft
81	BH-7100-88 100276	8	Retaining Ring
82	BH-7110-13 81072	4	Torsion Spring
83	BH-7102-30 100155	2	Flat Washer
84	BH-7110-18 81479	2	Hex Screw Assy
	BH-7113-46 81471	1	65° Grease Fitting
85	BH-7110-26 100062	2	Flat Washer
86	F-CP-125-0750 100175	2	Cotter Pin
87	BH-7109-97 81280	2	Slack Chain Shaft
88	BH-7109-96 81279	2	Slack Chain Roller
89	BH-7100-86 80683	4	Retaining Ring
90	F-HC-0375-16-4000 81081	2	Hex Screw
91	F-NL-0375-16 81082	4	Nylock Hex Nut
92	BH-7102-31 81176	2	Tube Spacer
93	BH-7102-11 81206	4	Flat Washer
94	BH-7112-96 81283	2	Idler Cover
95	BH-7112-97 60912	8	Flanged Head Screw
	See Front Cross Tube Layout	1	Pivot Tube Linkage
101	BH-7101-20 81102	1	Bar Tapped
102	BH-7101-22 81101	1	Bar
103	BH-7101-19 81103	1	Pin
104	F-CP-125-0750 100175	1	Cotter Pin
105	BH-7110-14 100154	1	Spring
106	BH-7101-23 81251	1	Trip Rod
107	BH-7101-21 81107	1	Shoulder Screw
108	BH-7105-08 100127	1	Nut
109	BH-7105-09 81253	1	Nut
110	F-CP-125-1000 100190	1	Cotter Pin
111	BH-7113-48 82545	1	Tube Structure Pivot
112	BH-7112-99 81138	1	Handle Structure
113	BH-7101-72 81092	1	Pivot Structure
114	BH-7101-55 81483	2	Hex Screw
115	BH-7112-24 100159	2	Lock Washer
116	BH-7112-23 100102	2	Hex Nut
117	BH-7110-20 81095	4	Pivot Pin
118	BH-7110-22 81113	2	Adjusting Rod Long
119	BH-7110-21 81115	2	Adjusting Rod Short

* Not pictured correctly in diagram

P
a
g
e

48



**Latch Structure
Catch RH**

BH-7110-11
(Ref 81069)



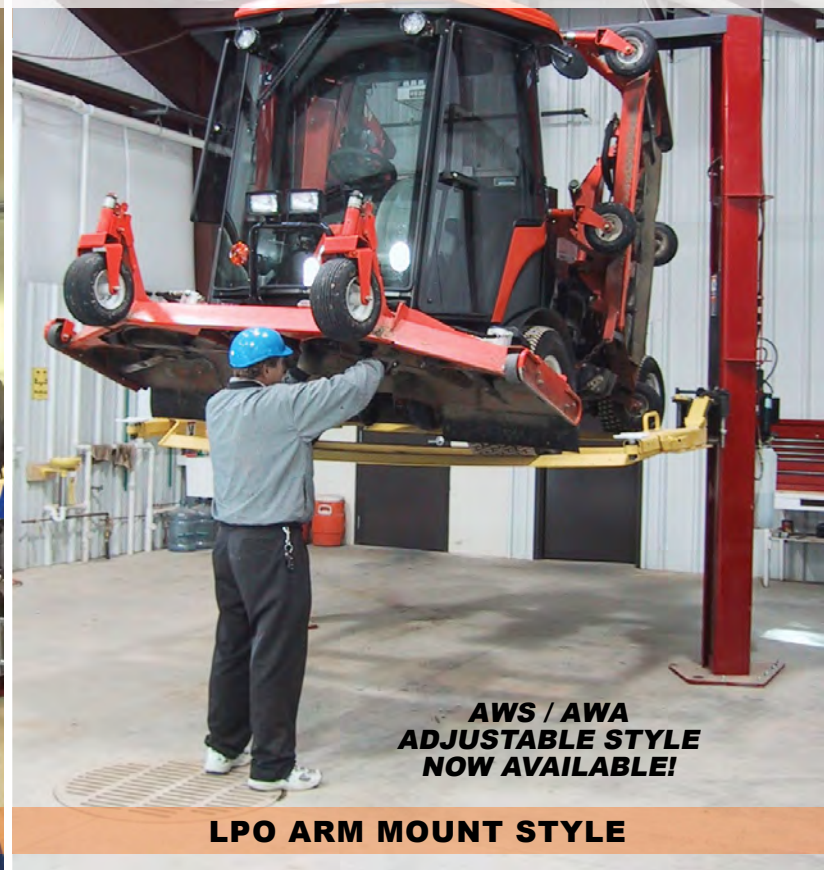
**Latch Structure
Catch LH**

BH-7110-12
(Ref 81068)

YOUR CHOICE! 3 TURF TRAY STYLES, OPTIONS AND ACCESSORIES AVAILABLE



HSR ADAPTER HOLE MOUNT STYLE



**AWS / AWA
ADJUSTABLE STYLE
NOW AVAILABLE!**

LPO ARM MOUNT STYLE

Turf Equipment / Utility Vehicle Attachments for Automotive Lifts

- Golf Courses
- Park Districts
- Municipalities
- ATV Dealers
- Public Works
- Amusement Parks
- Vacation Resorts
- Agricultural Shops
- and so many more...

No. 1—The First: An SVI wholly-owned subsidiary was the very first ever to invent Turf Attachments for use on automotive lifts. On September 9, 1997 SVI's very own MLM Lifts and Manufacturing (formerly known as Manitowoc Lift) developed the very first production drawings for a Turf Equipment Lifting Accessory. This innovative product line has allowed thousands of lift owners to convert their automotive lifts into a multi-functional tool. This allows for both service of their cars and pickup trucks but also ease of repair access to all the turf and small maintenance equipment also found in and around their shop.

Turf Attachments are an ideal tool to incorporate into any shop that has a two-post automotive lift or in-ground side-by-side that also has the need for servicing all types of other equipment. Turf Attachments are ideal for park districts, golf courses, outdoor power equipment dealers, municipalities, ATV dealers and just about anywhere else that requires more versatility from their lifts.

SVI has emerged and remains the leading supplier in its field for turf / utility attachments. The nimble nature of SVI engineering and strong focus on customer service allows for a wide range of flexibility in producing attachments to fit virtually all makes and models of two post surface mount lifts encountered in the field. Put the SVI team to work for you today, attachments can be made for any two post lift including those with true asymmetric or triple stage swing arms. For a whole variety of turf / utility attachment solutions—SVI is your Answer!

800-321-8173



BALTIMORE • CHICAGO • LOS ANGELES



DIRECT FIT™ BRAND

SVI International, Inc.

Catalogs and Information Online: www.sviinternational.com

AUTO LIFT REPAIR PARTS FOR ALL MAKES & MODELS

~NO MATTER THE AGE OF THE LIFT!

- Arm Restraint Kits & Parts
- Cables—Lifting and Equalizing
- Chain
- doorjammerPRO - Door Protection Pad
- Height Extensions and Rubber Pads
- Installation Products & Tools
- Power Units and Parts
- Pulleys and Chain Rollers
- Seal Kits for In-Ground & Surface Mount
- Safety Legs / Non-Rotators
- Replacement Lift Kits
- Power Post Lifting Systems
- Tanks for In-Ground Lifts
- Turf Attachments for 2-Post Lifts

SURFACE MOUNT LIFT PARTS FOR:

Acanus	Gemini	Quality
Ammco®*	Gilbarco	Ranger
Alamo /	Globe	Ravaglioli
ASSSA	Grand	Rotary Lifts
ALM	Hofmann	Silent Tech
AMI	Hydralift	Slift
Ashawa	Ime Istobal	Somers Souriau
Ben Pearson	Kismet	Stenhoj
BendPak	Kimm	Stertil Koni
Benwil	Koni	Sun
Bishamon	Launch	Tecalemit
Boston	Laycock	Titan
Bradbury	Lincoln	Weaver
Cascos	Maha	Werther
Consul	Manitowoc Lifts	Western
Challenger	Mohawk	Westinghouse
Force	Nussbaum	Wheeltronic
Ford Smith	OMA	Worth
Forward	OMCN	Zippo
Fuchs/Zippo	PMW	

IN-GROUND LIFT PARTS FOR:

Benwil	Gilbarco	PKS Lifts
Challenger	Globe	Rotary
Cochin	HDL/ISS Innovative	US Hoist
Curtis	Joyce	Weaver
Ford Smith	Manitowoc Lifts	Western

AIR COMPRESSOR PARTS

- Air Receiver Tanks • Compressor Mufflers
- Automatic Tank Drain Valve for Champion Compressors
- Filters—Many OEM Ref Available!
- Filters, Regulators, Lubricators
- Intake Filter Products
- Milton Air System Products
- Re-Coil Hose • Valves
- Vibration Dampening Pads & much more!

BRAKE LATHES REPAIR PARTS

- Brake Lathe Repair Parts and Accessories for All Makes

EXHAUST REMOVAL SYSTEMS & PRODUCTS

FLUID DELIVERY

- Lenz Fittings
- Steel Hydraulic Line Tubing and Fittings
- Strut and Hangers

HOSE REELS BY REELCRAFT®

HYDRAULIC CYLINDERS—

- Custom Single-Acting Large Bore Cylinders
- Also see “Lifting Equipment”

LIFTING EQUIPMENT

- New In-Ground Lifts—Car, Truck & Bus
- Small Equipment Shop Maintenance (SESM) Lifts for lifting Landscape Equip. ATVs / UTVs, Motorcycles, Lawn Mowers, Golf Carts and More!
- Custom Lifting Equipment incl. Production Line Lifts, Rail Car Lifts and More
- Custom Hydraulic Cylinders for Various Applications
- Turf Attachments for 2-Post Lifts
- In-Ground Lift Sections and Kits
- And more!

EASY TO ORDER:
800-321-8173
815-748-0200
Fax: 800-899-1784 • 815-748-0210
E-Mail: parts@sviintl.com
www.sviinternational.com

LUBRICATION & PAINT / FOAM SPRAY REPAIR PARTS & KITS FOR:

- Alemite • ARO • Balcrank • Graco • Lincoln

PETROLEUM EQUIPMENT & REPAIR PARTS FOR:

- Gas Pump & Meter Kits and Parts for Gasboy • Tokheim • Fill-Rite
- Including Parts for Older Pumps: Wayne • Bennett • Gilbarco • Bowser A.O. Smith (Geosource) • Southwest

SEAL KITS

SHOP EQUIPMENT

- Hein-Werner Products • Omega Products
- Porto-Power • Pro-Lift

TIRE EQUIPMENT REPAIR PARTS

- Tire Changer and Wheel Balancer Parts for All Makes

Accu-Turn	FMC	Nussbaum
All Tool	Giuliano	Ranger
Ammco®*	Hofmann	Sicam
BaseLine®*	Hunter	Sice
Bosch	John Bean /	Snap-On
Cemb	(JBC)	Teco
Coats®*	Kwik-Way	Tuxedo
Corghi	Launch	

VALVES

- Air Compressor Valves of All Types
- Air and Hoist Control Valves
- Ball Valves • Check Valves
- Kingston Valves • Pressure Relief Valves
- Relief Valves • Safety Valves
- Solenoid Valves
- Tire Changer Valves • And More!

CUSTOM PRODUCTS

And let us know if you want something you use in your shop to be added to our product line!

DIRECTFIT™ In addition to SVI's DIRECT FIT™ BRAND, we are proud to be a one-stop shop for many other great products including:



3 Ready-Ship Warehouses for Faster Shipping! | **BALTIMORE • CHICAGO • LOS ANGELES**

Main Office: 155 Harvestore Drive • DeKalb, IL 60115

All names, numbers, symbols and descriptions are used for reference purposes only. It is not implied that any part listed is the product of these manufacturers.

SVI does not represent and is not associated in any way with any other companies. Entire contents copyright © 2021, SVI International, Inc. Prices subject to change without notice.

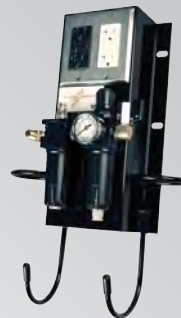
*AMMCO, BASELINE, COATS and DUCKHEAD are registered trademarks of Hennessy Industries, Inc. SVI International, Inc. is not associated in any way with Hennessy Industries, Inc.

**TERMS AND CONDITIONS OF THE
SALES ORDER
FOR SVI INTERNATIONAL, INC.**

1. **GENERAL.** The terms and conditions of sales order outlined herein shall apply to the sale by SVI INTERNATIONAL, INC. (hereinafter referred to as "Company") of the items described on the facing page (hereinafter referred to as "Merchandise") to Purchaser.
2. **DELIVERY.** Delivery shall be deemed to be complete when the Merchandise has been shipped F.O.B. Company's plants in DeKalb, Illinois, Montclair, California; and Hanover, Maryland ("Company's plants"). Shipments are subject to delays from causes or contingencies beyond the reasonable control of the Company. When otherwise not specified, shipments will be made in standard containers via carrier which, in the judgment of the Company, will result in the most practical method. Title and right of possession will pass to the Purchaser upon receipt by the carrier at the shipping point. If a customer of the Company should specify a specific carrier's method of shipment (i.e. UPS Next Day Air) and that carrier does not perform to the customer's expectations, freight credit to a customer's account will not be issued unless the Company can first obtain a credit.
3. **RISK OF LOSS.** Identification of the Merchandise under Uniform Commercial Code (hereinafter referred to as "UCC") Section 2-501 shall take place at the moment of shipment F.O.B. Company's plants. Risk of loss shall pass to the Purchaser when the Merchandise is shipped from the Company's plants.
4. **TITLE.** Title to the merchandise shall transfer to the Purchaser when the Merchandise is shipped from the Company's plants.
5. **WARRANTIES.** The Company guarantees its products to be free from defects in workmanship and raw materials for a period of one year from date of purchase. THIS WARRANTY IS EXPRESSLY IN LIEU OF ANY AND ALL WARRANTIES EXPRESS OR IMPLIED. COMPANY DOES NOT WARRANT THE MERCHANDISE IS MERCHANTABLE OR FIT FOR ANY PARTICULAR PURPOSE. Company's liability for breach of the terms of this Agreement, including any warranty, is limited to either refund of the invoice price of the Merchandise or at Company's option, replacement of the Merchandise free of charge, including transportation charges but not including the cost of labor. Purchaser has not relied on any statement or upon the conduct of Company with respect to the prospective use of the merchandise. Company shall not be liable for and Purchaser waives any and all claims for any loss or damage, directly or indirectly, arising from the use of the Merchandise and for punitive, incidental or consequential damages, including, but not limited to, damages to property, for loss of use, loss of time, loss of profit or loss of income. The Company does not authorize the sale of our products under any other warranty, expressed or implied. **Please note:** Electrical components and cylinder or shaft seals are not covered under warranty.
6. **SETOFF.** All claims for money due or to become due from the Company shall be subject to deduction by the Company for any setoff or counterclaim arising out of this or any other claims of the Company or its affiliated companies, whether such setoff or counterclaim arose before or after any assignment by Purchaser.
7. **INDEMNIFICATION.** Purchaser agrees to indemnify the Company and hold it harmless from and against all claims, liability, loss, damage or expense, including reasonable counsel fees, arising from or by reason of any modifications or alterations made by Purchaser. If a customer of the Company modifies or alters any part, in any manner whatsoever, or uses any part in departure from recommended performance specifications, said customer agrees to indemnify and hold the Company harmless from and against all liability and expenses based on damage to property or injury to or death of any person arising out of or attributable to such modified or altered part. Further, the Company will not accept any such modified or altered part for credit to a customer's account.
8. **FREIGHT POLICY.** Freight charges are prepaid and added to invoice or collect FOB shipping point. Note: All customers are responsible for all carrier shipping costs, fees, surcharges, etc. including order refusal and return fees.
9. **RETURN POLICY.** To return a part for credit or inspection, Purchaser must first contact our Main Office in Illinois, to obtain a Return Merchandise Form. Once Purchaser has obtained this form, the parts can be returned freight prepaid only. The Return form must be included with the shipment. Parts returned to the Company without the approved form will be returned freight collect to the shipper or refused. Returns must be initiated within 30 days of the invoice date. The Return Forms are valid for 30 days, from the date of issue. All Returns are subject to restocking charges. Return parts brought into our remote warehouses, will not be accepted by our personnel, without a Return Merchandise Form from the Main Office. Parts which have been used in any way or manner, including any installation or incorporation into a lift, hoist, or other equipment, shall NOT be eligible for return whether or not a Return form has been assigned. **Please note:** Electrical parts or components are not returnable for credit. This includes all switches, pushbuttons, relays, electric motors, capacitors, fuses, solenoids, power units with wiring issues or any other electrical items. Custom, built to order, special order, and non-stocked genuine parts are non-returnable.
10. **RESTOCK CHARGE.** Returns are subject to a restocking charge. Refusals are subject to the same restocking charge plus the cost of outbound and return freight charges and/or fees incurred by the Company due to shipment refusal.
11. **PRICES AND PAYMENTS.** All prices are subject to change without notice. All prices are F.O.B. shipping point. The Company standard terms are net 30 days, C.O.D. company check, C.O.D. cash, VISA, MasterCard, Discover or American Express. However, if in the judgment of the Company, the financial condition of the Purchaser at any time does not justify shipment according to standard terms of payment, the Company may require full or partial payment in advance.
12. **INTERPRETATION.** This sales order is intended by the parties as a complete and exclusive statement of the terms of their agreement. It supersedes all prior agreements, written or oral. No course of prior dealings between the parties and no usage of the trade shall be relevant to supplement or explain any terms used in this sales order. Acceptance or acquiescence in a course of performance rendered under this purchase order shall not be relevant to determine the meaning of this sales order even though the accepting or acquiescing party has knowledge of the nature of the performance and opportunity for objection. Whenever a term defined by the UCC is used in this sales order the definition contained in the UCC shall control.
13. **MODIFICATION.** This sales order can be modified or rescinded only by a writing signed by both parties.
14. **WAIVER.** No claim or right arising out of a breach of this sales order can be discharged in whole or in part by a waiver or renunciation of the claim or right unless such waiver or renunciation is supported by consideration and is in writing signed by the aggrieved party.
15. **ASSIGNMENT.** No right or interest in this sales order shall be assigned by either party without the written consent of the other and no delegation of any obligation owed, or of the performance of any obligation by either the Company or Purchaser shall be made without the written consent of the other party. Any attempted assignment or delegation not made in conformity with this paragraph shall be wholly void and totally ineffective for all purposes.
16. **TIME TO PERFORM AND BRING ACTION.** Time is of the essence of this sales order. Any action for breach of this sales order shall be commenced within two (2) years after the cause of action has accrued. Any party who loses any litigation shall reimburse the other party for costs including reasonable attorney's fees. The exclusive jurisdiction for any legal action shall be the Circuit Court of DeKalb County, Illinois.
17. **APPLICABLE LAW.** This sales order shall be governed by the UCC of Illinois as effective and in force on the date of this sales order.



BALTIMORE • CHICAGO • LOS ANGELES



DIRECTFIT™
SVI's DIRECT FIT™ BRAND

- Air Compressor Parts and Filters
- Auto Lift Parts for Any Brand
- Auto Lift Cables and Chain
- Auto Lift Power Units and Parts
- Auto Lift Sheaves / Pulleys and Chain Rollers
- Brake Lathe Repair Parts for All Makes
- Exhaust System Products
- Fluid Delivery Repair Parts
- Hose Reels and Hose Stops
- In-Ground Auto Lifts
- Lubrication Equipment Repair Parts
- Petroleum / Service Station Pump and Tank Products
- Repair Parts for Gasboy Consumer Series
- SESM Lifts for ATV/UTV, Golf Cart and More!
- Tire Changer Repair Parts
- Turf Attachments for 2-Post Lifts
- Vehicle Lifting Systems
- Wheel Balancer Accessories



SVI International, Inc.

155 Harvestore Drive • DeKalb, IL 60115

800-321-8173 • 815-748-0200

FAX: 800-899-1784 • 815-748-0210

E-MAIL: parts@sviintl.com

Entire contents copyright © 2021, SVI International, Inc.

Information and Catalogs Online:
www.sviinternational.com