



**DIRECTFIT™**

# Auto Lift Repair Parts and Accessories for ALM Lifts

Automotive Shop Equipment | Auto Lift Repair Parts

*The Industry's Largest Selection of Auto Lift Repair Parts*

DIRECT FIT™ BRAND



**SVI International, Inc.**  
155 Harvestore Drive • DeKalb, IL 60115

**800-321-8173**  
**815-748-0200**

[www.sviinternational.com](http://www.sviinternational.com)

BALTIMORE • CHICAGO • LOS ANGELES



# Repair Parts for ALM

## Table of Contents

Height Extensions and Rubber Pads.....3–5  
 Seal Kits .....6  
 Cable Reference.....7  
 Commonly Used Parts.....8  
 For Models 7001, 7001A, 9001 ..... 9–11  
 For Model 7002A .....12–13  
 For Model 9002A .....14–15  
 For Models 9003 and 9003A .....16–17  
 For Model 10001 .....18–19  
 For Model 12001 .....20–21  
 For Model 15001 .....22–23  
 For Models 12000, 12000S,  
 12000WT, 12000WTS .....24–25  
 For Model 12000A .....26–27  
 For Models 25000, 25000WR.....28–29  
 For Model Epoch 6000 .....30–32  
 For Rolling Lift Bridge 5000A and 6000.....33–34  
 Turf Lift Attachments.....35  
 More from SVI .....36–37

*Increase your lift's functionality with SVI's Turf Trays! Check out this ALM 9002 Lift!*



BALTIMORE • CHICAGO • LOS ANGELES  
**(800) 321-8173 • fax: (800) 899-1784**  
[www.sviinternational.com](http://www.sviinternational.com)

# Height Extensions and Rubber Pads

**DIRECTFIT™**  
SVI's DIRECT FIT™ BRAND

*More options available—See SVI's Height Extensions, Adapters and Rubber Pad Catalog*

*Please always confirm dimensions before ordering.* Height Extensions and Adapters come in many different styles and dimensions. SVI is well-known as the adapter expert, specializing in top quality standard and custom adapters. SVI is your answer.

**1-1/2" PIN OD • 1-1/2" PIN LENGTH • EXTENSION HEIGHT VARIES (LISTED BELOW)**

**Nesting Style Height Extension**

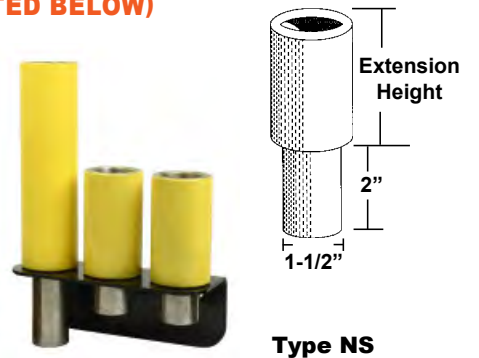
- BH-7533-98S (Ref FJ6180) 2-1/2" Extension Height
- BH-7533-96 (Ref FJ6143) 4" Extension Height
- BH-7500-95 (Ref FJ6145) Hanger Bracket Rack  
(without hardware)



**1-1/2" PIN OD • 2" PIN LENGTH • EXTENSION HEIGHT VARIES (LISTED BELOW)**

**Nesting Style Height Extension**

- BH-7101-02 (Ref 81693, 27984, 91560) 2-5/8" Extension Height
- BH-7090-14 3" Extension Height
- BH-7101-04 (Ref 81692) 3-1/2" Extension Height
- BH-7090-15 4" Extension Height
- BH-7101-03 (Ref 81691, 27982, 91562) 5" Extension Height
- BH-7090-16 6" Extension Height
- BH-7090-17 7" Extension Height
- BH-7500-95 (Ref FJ6145) Hanger Bracket Rack (without hardware)



**Uses Slip-Over Round Pad**

Pad Sold Separately:  
6-5/16" OD Pad



Pad sold separately—See BH-7150-02

**1-1/2" PIN OD X 2" LONG PIN**

**FOR ALM LIFTS**

BH-7150-21 (Ref 07-4160A)  
Drop-In Pickup Pad with 1-1/2" diameter pin  
Pad Sold Separately.



**Round Rubber Lift Pad (1)**  
BH-7150-02 (Ref A94208)  
6-5/16" OD  
Bottom Dimensions: 5-7/8" ID with Lip



# Height Extensions and Rubber Pads

**DIRECTFIT™**  
SVI's DIRECT FIT™ BRAND

**More options available—See SVI's Height Extensions, Adapters and Rubber Pad Catalog**

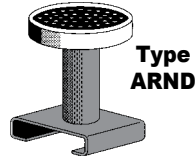
*Please always confirm dimensions before ordering.* Height Extensions and Adapters come in many different styles and dimensions. SVI is well-known as the adapter expert, specializing in top quality standard and custom adapters. SVI is your answer.

**FOR ALM LIFTS**

**Fixed Slip-On Height Extension with Round Pad**

*Fits over BH-7150-02 Round Pad*

- BH-7150-22 • 3" Extension
- BH-7150-23 • 4" Extension
- BH-7150-24 • 5" Extension
- BH-7150-03 • 6" Extension
- BH-7150-25 • 7" Extension
- BH-7150-26 • 8" Extension
- BH-7150-04 • 9" Extension
- BH-7150-27 • 10" Extension



Opening Dimensions:  
6-1/2" x 1-5/16"

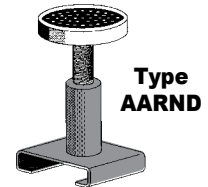
Replacement Pad: BH-7150-02

**FOR ALM LIFTS**

**Fixed Slip-On Height Extension with Round Pad**

*Fits over BH-7150-02 Round Pad*

- BH-7150-28 • 4"–6" Adjustable
- BH-7150-29 • 6"–9-1/2" Adjustable



Opening Dimensions:  
6-1/2" x 1-5/16"

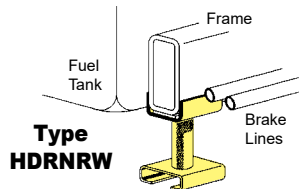
Replacement Pad: BH-7150-02

**FOR ALM LIFTS**

**Slip-On Narrow Height Extension for Close to Frame Obstructions**

*Fits over Spin-Up with Round Pad*

- BH-7150-72 • 3" Extension
- BH-7150-73 • 6" Extension
- BH-7150-74 • 9" Extension



Opening Dimensions:  
6-1/2" x 1-5/16"

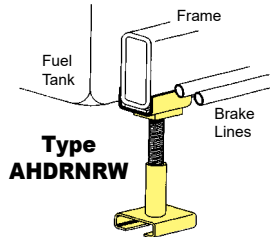
Adjustable version also available.  
Replacement Pad: BH-9900-10A

**FOR ALM LIFTS**

**Adjustable Slip-On Narrow Height Extension for Close to Frame Obstructions**

*Fits over Spin-Up with Round Pad*

- BH-7150-75 • 4"–6" Adjustable
- BH-7150-76 • 6"–9" Adjustable



Opening Dimensions:  
6-1/2" x 1-5/16"

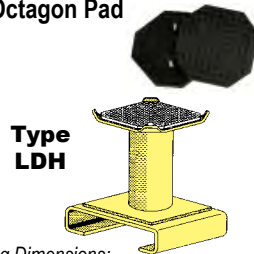
Replacement Pad: BH-9900-10A

**FOR ALM LIFTS**

**Fixed Slip-On Height Extension with Octagon Pad**

*Fits over BH-7150-02 Round Pad*

- BH-7150-34 • 3" Extension
- BH-7150-35 • 4" Extension
- BH-7150-36 • 5" Extension
- BH-7150-01 • 6" Extension
- BH-7150-37 • 7" Extension
- BH-7150-39 • 8" Extension
- BH-7150-40 • 9" Extension
- BH-7150-41 • 10" Extension



Opening Dimensions:  
6-1/2" x 1-5/16"

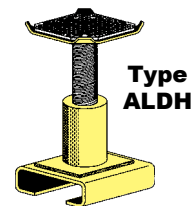
Replacement Pad: BH-7225-01

**FOR ALM LIFTS**

**Adjustable Slip-On Height Extension with Octagon Pad**

*Fits over BH-7250-01 Spin Up with Round Pad*

- BH-7150-52 • 4"–6" Adjustable
- BH-7150-53 • 6"–9-1/2" Adjustable



Opening Dimensions:  
6-1/2" x 1-5/16"

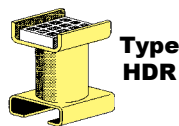
Replacement Pad: BH-7225-01

**FOR ALM LIFTS**

**Fixed Slip-On Height Extension with Rectangle Pad**

*Fits over BH-7150-02 Round Pad*

- BH-7150-42 • 3" Extension
- BH-7150-43 • 4" Extension
- BH-7150-44 • 5" Extension
- BH-7150-45 • 6" Extension
- BH-7150-46 • 7" Extension
- BH-7150-47 • 8" Extension
- BH-7150-48 • 9" Extension
- BH-7150-49 • 10" Extension
- BH-7150-50 • 11" Extension
- BH-7150-51 • 12" Extension



Opening Dimensions:  
6-1/2" x 1-5/16"

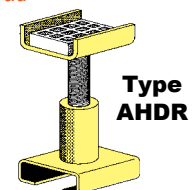
Replacement Pad: BH-7205

**FOR ALM LIFTS**

**Adjustable Slip-On Height Extension with Rectangle Pad**

*Fits over Spin-Up with BH-7150-02 Round Pad*

- BH-7150-54 • 4"–6" Adjustable
- BH-7150-55 • 6"–9-1/2" Adjustable



Opening Dimensions:  
6-1/2" x 1-5/16"

Replacement Pad: BH-7205


# Height Extensions and Rubber Pads

**DIRECTFIT™**  
SVI's DIRECT FIT™ BRAND

*More options available—See SVI's Height Extensions, Adapters and Rubber Pad Catalog*

*Please always confirm dimensions before ordering.* Height Extensions and Adapters come in many different styles and dimensions. SVI is well-known as the adapter expert, specializing in top quality standard and custom adapters. SVI is your answer.

**BH-7150-97** (Ref 15-4031A)  
**Arm Adapter - Standard**  
**For ALM 15,000 Lb Lift**



4.25" ID  
2"-4.5 UNC 2A Thread

Please Confirm Threads

Also see BH-7150-97FRP

**FOR ALM**  
**Rubber Lift Pad - Round**  
(Ref A94208)

**BH-7150-02** (1) Individual Pad



6-5/16" OD  
Bottom Dimensions: 5-7/8" ID with Lip

**BH-7150-97FRP** (Ref 15-4031Ax)  
**Flat Adapter Assembly**  
**with Rubber Pad**  
**For ALM 15,000 Lb Lift**

**With Rectangle Pad**  
3-7/8" x 5" Top




2"-4.5 UNC 2A Thread

Please Confirm Threads

Features Rectangle Rubber Pad BH-7101-00

**UNIVERSAL | FOR MANY MAKES & MODELS**  
**Rubber Adapter Blocks (Stack Pads) • 4-3/4" x 6-1/4"**

**BH-9756-86T** (Ref SB700071Y) 1/2" Thick  
**BH-9756-86** (Ref FJ2427) 1-1/2" Thick  
**BH-9756-87** (Ref FJ2428x) 3" Thick



6-1/4" x 4-3/4"

1/2" Thick BH-9756-86T  
1-1/2" Thick BH-9756-86  
3" Thick BH-9756-87

**FOR MANY ADAPTERS ON VARIOUS LIFTS**  
**Standard Octagon Rubber Arm Pad**

**BH-7225-01**  
Octagon Rubber Arm Pad (1)

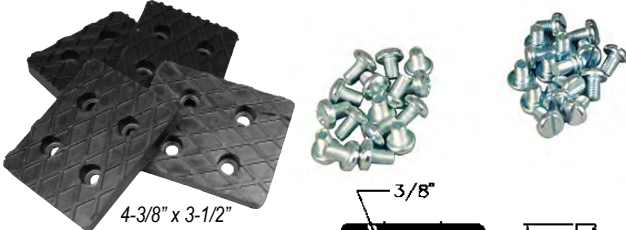
**BH-7225-01-4**  
Rubber Arm Pad Kit for 1 Lift  
(Includes 4 pads and hardware)



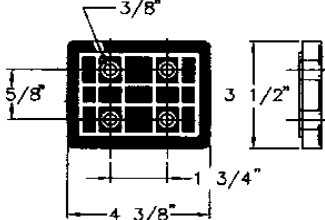
Also see Heavy Duty Version.

**FOR MANY ADAPTERS ON VARIOUS LIFTS**  
**Rubber Arm Pads** (Ref 100533)

**BH-7205** Individual Arm Pad  
**BH-7205-4** Kit of 4 Pads and Fasteners  
SVI includes both US and Metric Fasteners.



4-3/8" x 3-1/2"



3/8"  
5/8"  
3  
1/2"  
3/4"  
4 3/8"

**Note:** This pad is molded around a **steel insert** for stay put attachment to the lift arm.

Cross-section showing steel insert.

**FOR MANY ADAPTERS ON VARIOUS LIFTS**  
**Heavy Duty Octagon Rubber Arm Pad**

**BH-7225-01X**  
HD Rubber Arm Pad (1)

**BH-7225-01K**  
HD Pad Kit for 1 Lift  
(Includes 4 pads and hardware)

**BH-7225-01KL**  
HD Pad Kit for 1 Lift  
with **Long Bolts**  
(Includes 4 pads and hardware)





# Seal Kits for Hydraulic Cylinders

**DIRECTFIT™**  
SVI's DIRECT FIT™ BRAND

SVI Part #	Ref #	For ALM Model / Description
BH-7150-05		Seal Kit for 7001 with Davis Cylinder
BH-7150-90	X00629	Seal Kit
BH-7150-92	X00614	Seal Kit for 4-Post 27501
BH-7151-02	X00256	Seal Kit for 9001 (some) - <i>(pictured below)</i>
BH-7151-03	X00257	Seal Kit for Davis Made Cylinder <i>(pictured below)</i>
BH-7151-04	X00252	Seal Kit Current Prod. Cyl. 9,000 lb. with Waltco Cylinder <i>(pictured below)</i>
BH-7151-05	X00260	Seal Kit 12,000 lb. with Waltco Cylinder <i>(pictured below)</i>
BH-7151-52	X00342	Seal Kit 7002A, 9002A, some 9003A and 12000-2P <i>(pictured below)</i>
BH-7151-71	X00585	Seal Kit for Direct-Drive Cylinders <i>(pictured below)</i>
BH-7151-74	X00623	Seal Kit for 15001 <i>(pictured below)</i>
BH-7152-36	X00441	Seal Kit for 9003A for Chain Over Cylinders
BH-7152-37	X00365	Seal Kit <i>(pictured below)</i>
BH-7152-39		Seal Kit 15001 Serial # 812-01075
BH-7157-47	X-00549	Seal Kit



**BH-7151-02**  
(Ref X00256)



**BH-7151-05**



**BH-7151-52**  
(Ref X00342)



**BH-7151-71**  
(Ref X00585)



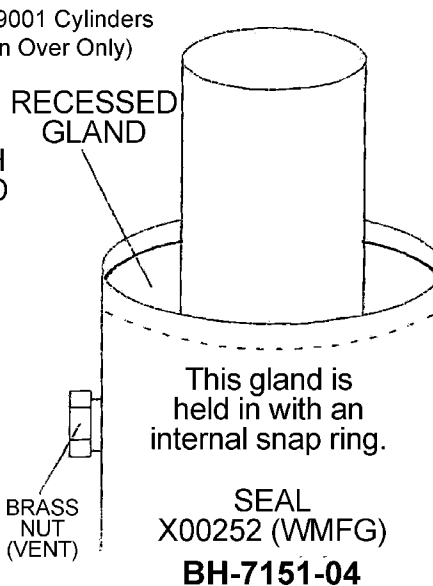
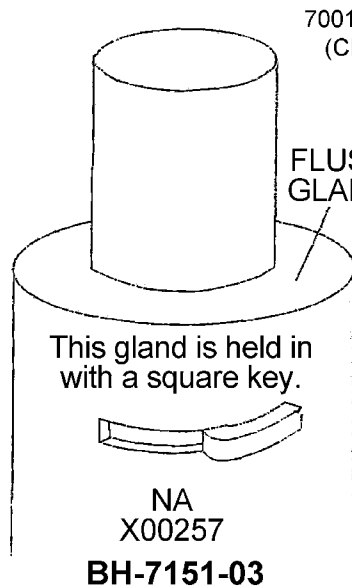
**BH-7151-74**  
(Ref X00623)



**BH-7152-37**  
(Ref X00365)



**BH-7151-03**  
(Ref X00257)



**BH-7151-04**  
(Ref X00252)



# Cable Reference for ALM Lifts

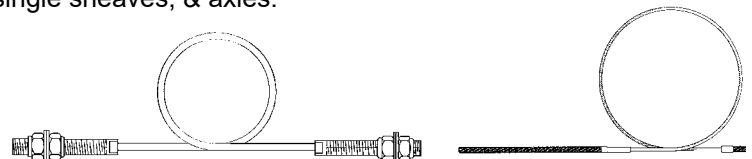
**DIRECTFIT™**  
SVI's DIRECT FIT™ BRAND

SVI Part #	Ref #	O.A.L.	Dia.	Fits Lift Models / Notes
BH-7150-08	A73128-01	30' 3"	7/16"	7002A
BH-7150-10	7001	32'	3/8"	7000 Symmetric
BH-7150-11	7001A	31' 6"	3/8"	7000 Asymmetric
BH-7150-11L	7001A	34' 7"		7000 Asymmetric
BH-7150-12	9920601	27' 10"	3/8"	
BH-7150-13	A93133-01	34' 9-1/2"	3/8"	9001
BH-7150-15	A12100009	12' 2"	7/16"	Short Front / Eyebolt on 1 End
BH-7150-16	A12100008	29' 9"	7/16"	
BH-7150-17	A93133-03	38'	3/8"	
BH-7150-30	B121215-10	10' 6-1/4"	7/16"	12,000 4-Post Standard
BH-7150-30A	B121215-09	27' 10-1/2"	7/16"	12,000 4-Post Standard
BH-7150-30B	B121215-16	12' 5"	7/16"	Alignment Rack
BH-7150-30C	B121215-08	33' 1-7/8"	7/16"	12,000 4-Post Standard
BH-7150-86	B121215-19	17' 7-5/8"	7/16"	
BH-7150-87	B121215-20	35' 3-1/8"	7/16"	
BH-7150-88	B121215-21	30' 3/4"	7/16"	
BH-7150-89	B121215-22	12' 5-3/4"	7/16"	
BH-7151-68	A93133-16	30' 4-1/2"	3/8"	9003
BH-7151-75	A933133-23	31' 7"	3/8"	
BH-7152-09*	12-1215K1			Cable & Sheave Kit 12000, 12000WT, 12000QLC
BH-7152-10*	12-1215K2			Cable & Sheave Kit 12000A
BH-7152-11*	12-1215K3			Cable & Sheave Kit 12000 Short
BH-7152-16	12-1215K5			12000A Alignment Rack
BH-7152-32	A12100007	34' 11"		Eyebolt on 1 End (Pictured below)
BH-7152-33	A12100006	17' 4"		Eyebolt on 1 End
BH-7152-34	A093033-01			9002 & 9002A
BH-7153-14	225503-A			
BH-7153-15	225504-A	9' 6-1/2"	1/16"	
BH-7153-16	12-1215K4			12000, 12000WT, 12000QLC
BH-7153-18	B121215-07	15' 10"	7/16"	12,000 4-Post Standard
BH-7153-19	B121215-13	17- 8-3/8"	7/16"	Alignment Rack
BH-7153-20	B121215-14	35' 5/8"		Alignment Rack 12000A
BH-7153-21	B121215-15	29' 9-1/4"		Alignment Rack 12000A
BH-7154-85	B121101-11	373-7/8"	7/16"	12000S
BH-7154-86	B121101-12	310-1/2"	7/16"	12000S
BH-7157-20	A073128-01	363-1/2"		7002A
BH-7157-32		1' 8-1/8"	1/16"	7002A
BH-7150-56K	A00017-05.7	5.7"	1/16"	7002A
	A00017-210	210"	1/16"	7002A
BH-7157-50	93133-09			15001



**BH-7152-32**  
(Ref A12100007)

\*Cable & sheave kits include cables, double sheaves, single sheaves, & axles.



**SVI specializes in cables—even custom cables!**

All names, numbers, symbols and descriptions are used for reference purposes only. It is not implied that any part listed is the product of these manufacturers.

LRC7150 - 8.6.21

P  
a  
g  
e

7



### Commonly Used Parts

**DIRECTFIT™**  
SVI's DIRECT FIT™ BRAND



**BH-7152-06**  
(Ref A00095)  
**Air Cylinder for  
ALM 2-Post Lifts  
and 12000 4-Post**  
*Also see Male Elbow  
BH-7152-25  
(Ref A00082-09)*



**BH-7151-22**  
(Ref A90124 /  
replaces A91203)  
**Cable Sheave 5"**



**BH-7152-05**  
(Ref X00113)  
**Air Release Valve  
for ALM 2-Post**



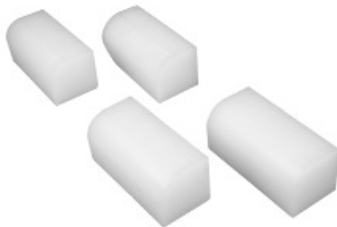
**BH-7151-21**  
(Ref 91-117 / 15-1014A)  
**Sheave Axle**



**BH-7157-59**  
(Ref X00096)  
**Palm Activated  
Air Release Valve  
for ALM 4-Post**



**BH-7150-61**  
(Ref 93-222A)  
**Yoke Bracket  
& Roller Assembly**



**BH-7150-14**  
(Ref A92115 / 92-115)  
**Slider Block (1)**  
For use on 7001, 7001A,  
9001, 10001A, 1500



**BH-7152-08**  
(Ref A00084)  
**Air Hose  
100' of 5/32" Airline  
(No fittings included)**



**BH-7157-49**  
(Ref A073169)  
**L-Shaped  
Slider Block (1)**  
For use on 7002A, 9002A,  
15001



**BH-7150-67**  
(Ref 12-1213A)  
**Single Sheave (1)  
for Track Assembly**



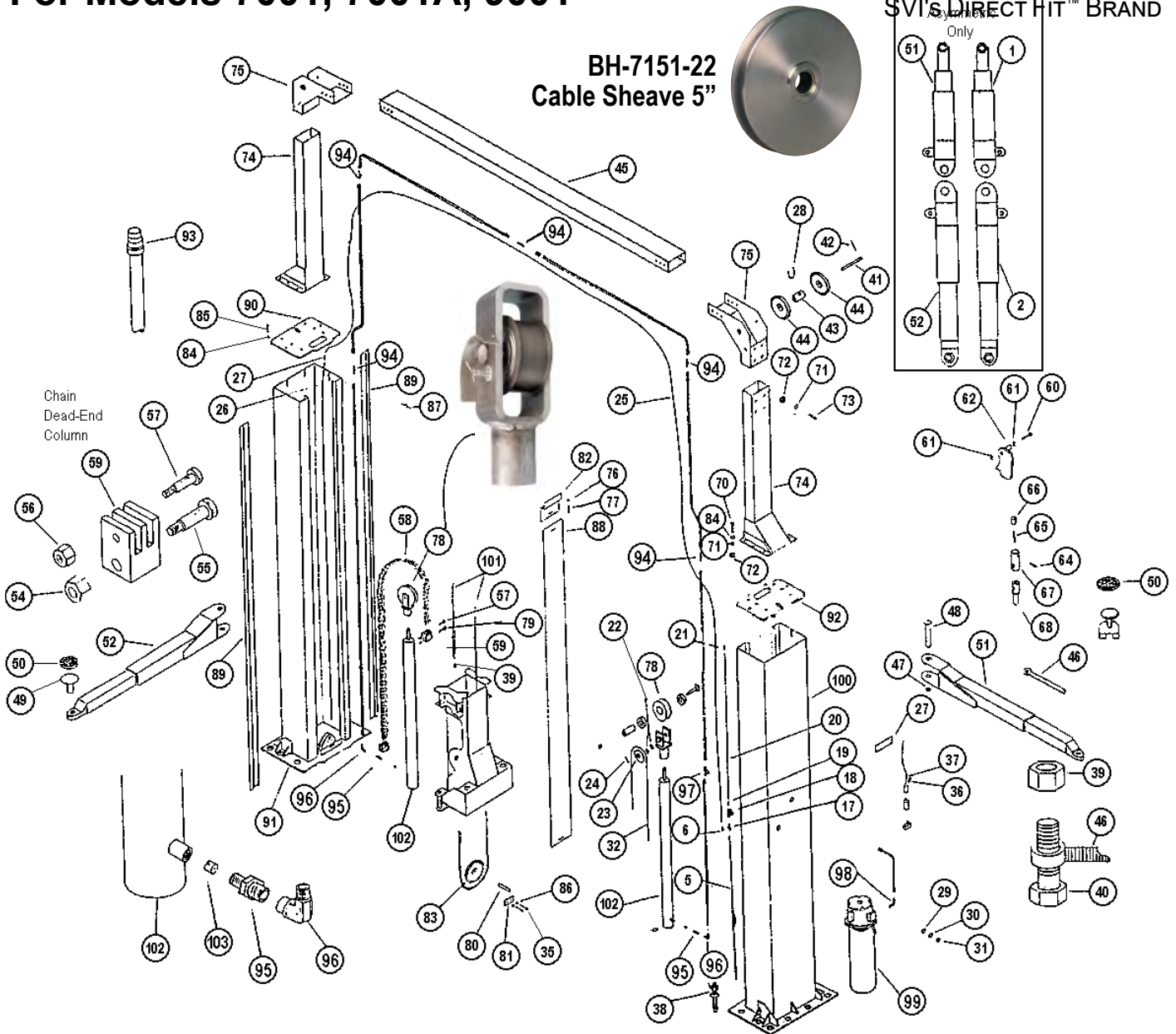
**BH-7150-56K**  
(Ref 92-117K)  
**Manual Pull Cable  
Assembly**

**INCLUDES:**  
**BH-7150-56** (Ref 92-117)  
**BH-7150-57** (Ref A00021-16)  
**BH-7150-58** (Ref X00031-6)

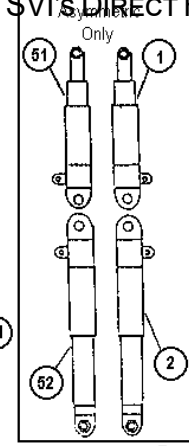


**For Models 7001, 7001A, 9001**

**DIRECTFIT™**  
SVI'S DIRECTFIT™ BRAND

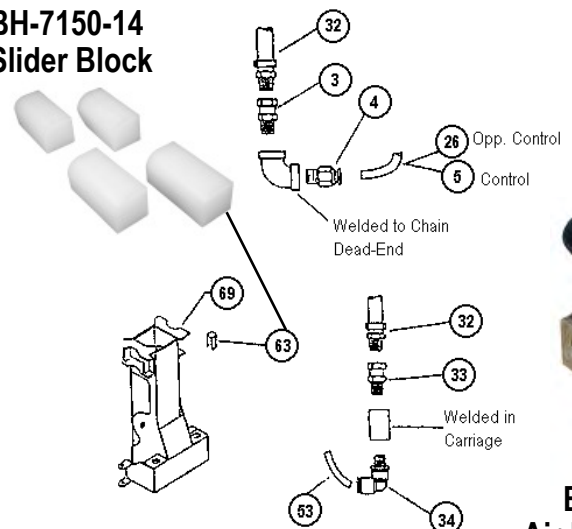


**BH-7151-22**  
Cable Sheave 5"

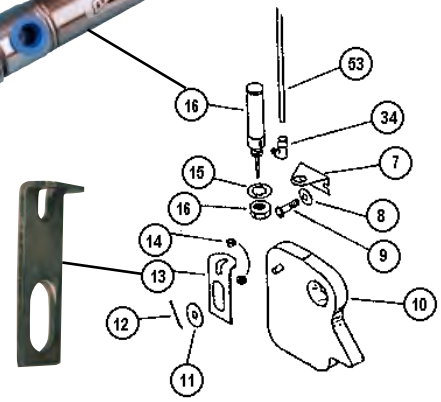
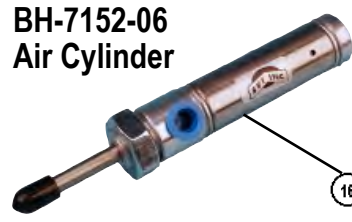


Chain  
Dead-End  
Column

**BH-7150-14**  
Slider Block



**BH-7152-06**  
Air Cylinder



**BH-7152-05**  
Air Release Valve





For Models 7001, 7001A, 9001



Item	SVI #	Ref. OEM #	Description
1*	BH-7154-02	74-002ARH	RH Short Arm Assembly (7001A)
2*	BH-7151-56	74-001ARH	RH Long Arm Assembly (7001A)
3	BH-7153-86	A00081-08	Pipe Swivel Adapter 1/8"
4	BH-7154-01	A00082-03	Male Air Hose Fitting
5	See Air Line Book	A00084-14	Pneumatic Tubing 5/32 x 55-1/4
6	BH-7153-99	A00082-14	Plug In Elbow
7	<b>BH-7152-07</b>	<b>A00100</b>	<b>Air Cylinder Mounting Bracket</b>
8	F-FW-0250-SAE	A00003-04	1/4" Plain Washer
9	F-HC-0250-20-1000	A00004-08	Hex Bolt 1/4-20 x 1 (7001A)
	BH-7154-05	A00004-12	Hex Bolt 1/4-20 x 1-1/2 (9001)
10	BH-7151-27	92-136A	Safety Weldment
11	BH-7151-18	A00126-18	3/8" Fender Washer
12	BH-7151-17	A00056-08	Cotter Pin 3/32 x 1
13	BH-7151-16	92-137	Safety Dog Release Bracket
14	BH-7151-15	A00098-04	Hex Jam Nut 1/4-28
15	BH-7151-26	X00097-10	Internal Tooth Lockwasher 5/8
16	<b>BH-7152-06</b>	<b>A00095</b>	<b>Air Cylinder</b>
17	BH-7153-97	A00082-15	Male Running Tee
18	<b>BH-7152-05</b>	<b>X00113</b>	<b>Air Release Valve</b>
19	BH-7153-96	A00082-10	Male Connector 1/4 - 1/8 NPT
20	See Air Line Book	A00094-02	Pneumatic Tubing 1/4 x 48 7001A
	See Air Line Book	A00094-03	Pneumatic Tubing 1/4 x 51 9001
21	BH-7153-94	A00082-13	Male Connector
22	F-FW-0375-SAE	A00003-06	3/8" Plain Washer
23	<b>BH-7151-65</b>	<b>93-117</b>	<b>Air Hose Pulley</b>
24	BH-7151-17	A00056-08	Cotter Pin 3/32 x 1
25	See Air Line Book	A00084-21	Pneumatic Tubing 5/32 x 287
26	See Air Line Book	A00084-09	Pneumatic Tubing 5/32 x 101 7001A
	See Air Line Book	A00084-11	Pneumatic Tubing 5/32 x 104 9001
27	BH-7153-91	A00082-16	Air Hose Coupling
28	BH-7153-90	X00025	Wire Tie
29	F-FW-0312-SAE	A00003-05	5/16" Plain Washer
30	F-LW-0312	A00002-05	5/16" Split Washer
31	F-HN-0312-18	A00001-05	Hex Nut 5/16-18
32	BH-7150-71	93-120A	Air Hose Assembly
33	BH-7153-86	A00081-08	Pipe Swivel Adapter
34	BH-7152-25	A00082-09	Elbow 5/32 to 1/8 NPT
35	F-HC-0250-20-0500	A00004-04	Hex Bolt 1/4-20 x 1/2
36	BH-7153-84	A00021-04	Cable Clamp 1/16"
37	BH-7157-00	A00017-203	Wire Cable 1/16 x 203" 7001
	BH-7153-83	A00017-197	Wire Cable 1/16 x 197" 7001A
	BH-7154-09	A00017-220	Wire Cable 1/16 x 220 9001
38	BH-7075-03L	X00015	3/4 - 5-1/2 Wedge Anchor
39	F-LN-0750-10	A00007-12	Locknut 3/4-10
40	BH-7153-80	A00012-24	Hex Bolt 3/4-10 x 3

Item	SVI #	Ref. OEM #	Description
41	<b>BH-7151-21</b>	<b>91-117</b>	<b>Sheave Axle</b>
42	F-CP-187-1750	X00030-14	Cotter Pin 3/16 x 1-3/4
43	BH-7151-39	91-119A	Spacer & Nut Assembly
44	<b>BH-7151-22</b>	<b>A91203</b>	<b>Sheave 5"</b>
45*	BH-7154-08	91-113	Overhead Tube 7001
	BH-7153-78	71-101	Overhead Profile Tube 7001A
	BH-7154-08	91-113	Overhead Profile Tube 9001
46	BH-7151-06	95-107A	Arm Restraint Rod 10.5"
47	BH-7153-77	X00032	1-1/2" Snap Ring
48	BH-7153-62	72-110A	Arm Pin Assembly 7001A
	BH-7154-03	92-120A	Arm Pin Assembly 9001
49	BH-7151-49	74-129A	Nesting Style Adapter 7001A
	BH-7154-07	94-209A	Lift Pad Assembly 9001 Threaded 1-3/8"-6 (Pad not incl.)
50	BH-7150-02	A94208	Rubber Lift Pad
51*	BH-7156-99	74-003ARH	RH Arm Assembly 7001
	BH-7153-75	74-002ALH	LH Short Arm Assembly 7001A
	BH-7151-63	94-001ARH	RH Arm Assembly 9001
52*	BH-7156-98	74-003ALH	LH Arm Assembly 7001
	BH-7153-74	74-001ALH	LH Long Arm Assembly 7001A
	BH-7154-06	94-001ALH	LH Arm Assembly 9001
53	See Air Line Book	A00084-07	Pneumatic Tubing 5/32 x 40
54	BH-7153-72	A00007-07	Locknut 7/16-14
55	BH-7153-71	A00050-32	Socket Head Screw 7/16-14 x 4
56	BH-7153-70	A00007-04	Security Locknut 1/4-20
57	BH-7153-69	A00027	Shoulder Bolt 5/16 x 1-1/2
58	BH-7033	A92123	3/4 Pitch Leaf Chain 84 pitches
59	BH-7153-67	92-111	Chain Dead End
60	BH-7153-66	A00013-24	Hex Bolt 3/4-10 x 3
61	F-FW-0750-SAE	A00003-12	1/4" Plain Washer
62	BH-7153-64	92-303	Safety Block Spacer
63	<b>BH-7150-14</b>	<b>92-115</b>	<b>Slider Block</b>
64	F-RP-250-1750	A00023-28	Roll Pin 1/4 x 1-3/4
65	BH-7151-12	A92132	Arm Restraint Spring
66	BH-7151-11	92-131	Arm Restraint End Cap
67	BH-7151-14	92-129	Arm Restraint Housing
68	BH-7151-13	92-130	Arm Restraint Plunger
69*	BH-7153-61	72-006A	Carriage Weldment 7001A
	BH-7154-21	92-004A	Carriage Weldment 9001
70	F-HC-0375-16-1250	A00006-12	Hex Bolt 3/8-16 x 1-1/4
71	F-LW-0375	A00002-06	3/8" Split Washer
72	F-HN-0375-16	A00001-06	Hex Nut 3/8-16
73	F-HC-0375-16-1000	A00006-08	Hex Bolt 3/8-16 x 1
74*	BH-7153-57	71-004A	Pedestal Weldment 7001A
	BH-7154-20	91-003A	Pedestal Weldment 9001
75*	BH-7153-56	91-004A	Corner Assembly

\* Custom Order By Request. Sample may be needed.

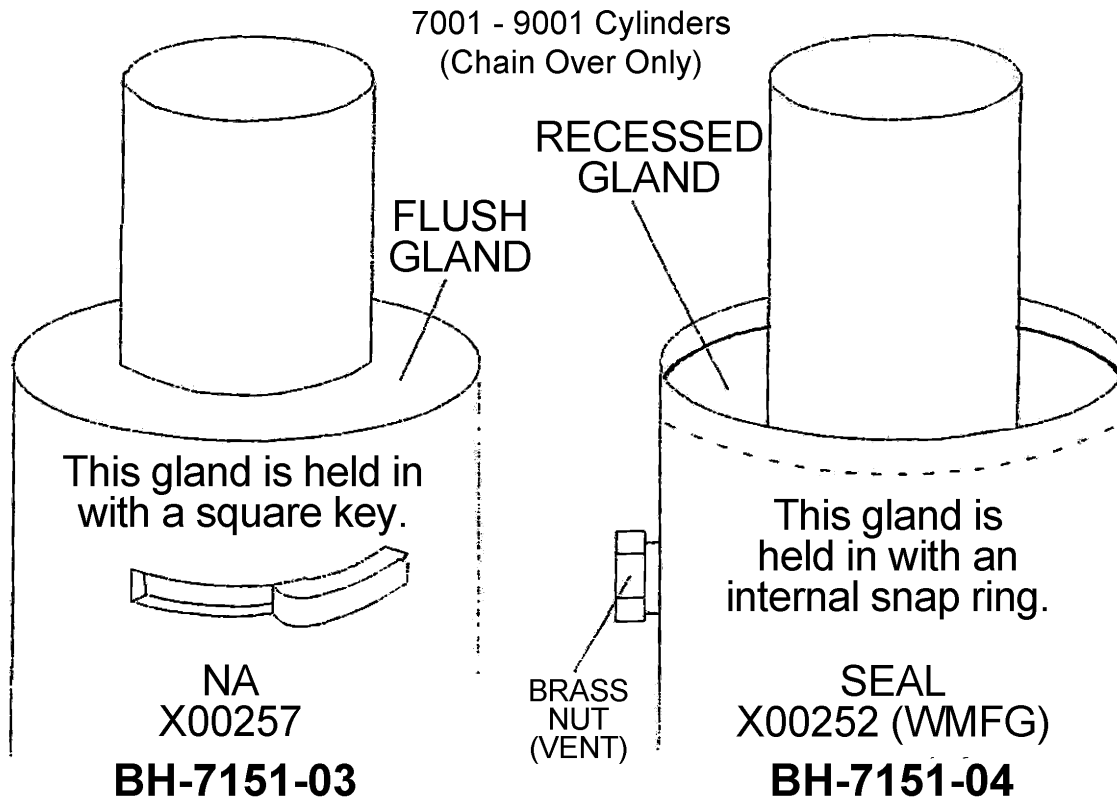
# For Models 7001, 7001A, 9001

**DIRECTFIT™**  
SVI's DIRECT FIT™ BRAND

Item	SVI #	Ref. OEM #	Description
76	F-FW-0250-SAE	A00003-04	1/4" Plain Washer
77	F-MS-0250-20-1750	X00011-14	Machine Screw 1/4-20 x 1-3/4
78	<b>BH-7150-61</b>	<b>93-115A / 93-222A</b>	<b>Pulley Bracket Assembly</b>
79	F-SC-0437-14-3000	A00194	Socket Head Cap Screw
80	BH-7150-20A	90-130	Sheave Axle
81	BH-7153-51	90-118	Keeper Plate
82	BH-7153-50	90-122	Column Cover Clip
83	<b>BH-7151-22</b>	<b>A90124</b>	<b>Sheave 5"</b>
84	F-FW-0375-SAE	A00003-06	3/8" Plain Washer
85	F-HC-0375-16-1250	A00006-12	Hex Bolt 3/8-16 x 1-1/4
86	F-LW-0250	A00002-04	1/4" Split Lockwasher
87	BH-7153-46	X90109	Rivet
88	BH-7153-45	70-104	Column Cover Plate 7001A
	BH-7154-19	90-123	Column Cover Plate 9001
89	BH-7153-44	70-004A	Rubber Guard 7001A
	BH-7152-24	90-004A	Rubber Guard 9001
90	BH-7153-43	90-014A	Top Plate Assembly, Idle Column
91*	BH-7153-42	70-008A	Idle Column Assembly 7001A
	BH-7154-18	90-010A	Idle Column Assembly 9001

Item	SVI #	Ref. OEM #	Description
92	BH-7153-41	90-012A	Column Top Plate Assembly
93	BH-7153-40	A93108-08	3/8" Ferrulok Ferrule
94	BH-7151-40	A93108-03	Union 3/8" Tube
95	BH-7151-34	A93109-02	Hex Pipe Nipple 1/4 - 3/8
96	BH-7153-37	A93108-05	Female Elbow 3/8 x 1/4
97	BH-7153-36	A93108-02	Tee Union 3/8 x 3/8 x 3/8
98	BH-7153-35	A93108-01	Male Elbow 3/8 x 3/8
99	<b>BH-7006-01</b>		<b>Hyd. Power Unit 1PH</b>
	<b>BH-7006-03</b>		<b>Hyd. Power Unit 3PH</b>
100*	BH-7153-28	70-007A	Drive Column Assembly 7001A
	BH-7154-12	90-009A	Drive Column Assembly 9001
101	BH-7153-23	A93133-05	Eq Cable 3/8 x 378 7001A
	BH-7150-13	A93133-01	Eq Cable 3/8 x 417 9001
102	BH-7150-19	A93102	Hydraulic Cylinder
	BH-7151-03	X00257	Seal Kit
	BH-7151-04	X00252	Seal Kit
	BH-7151-02	X00256	Seal Kit (for some 9001)
103	BH-7153-39	A93110	Orifice

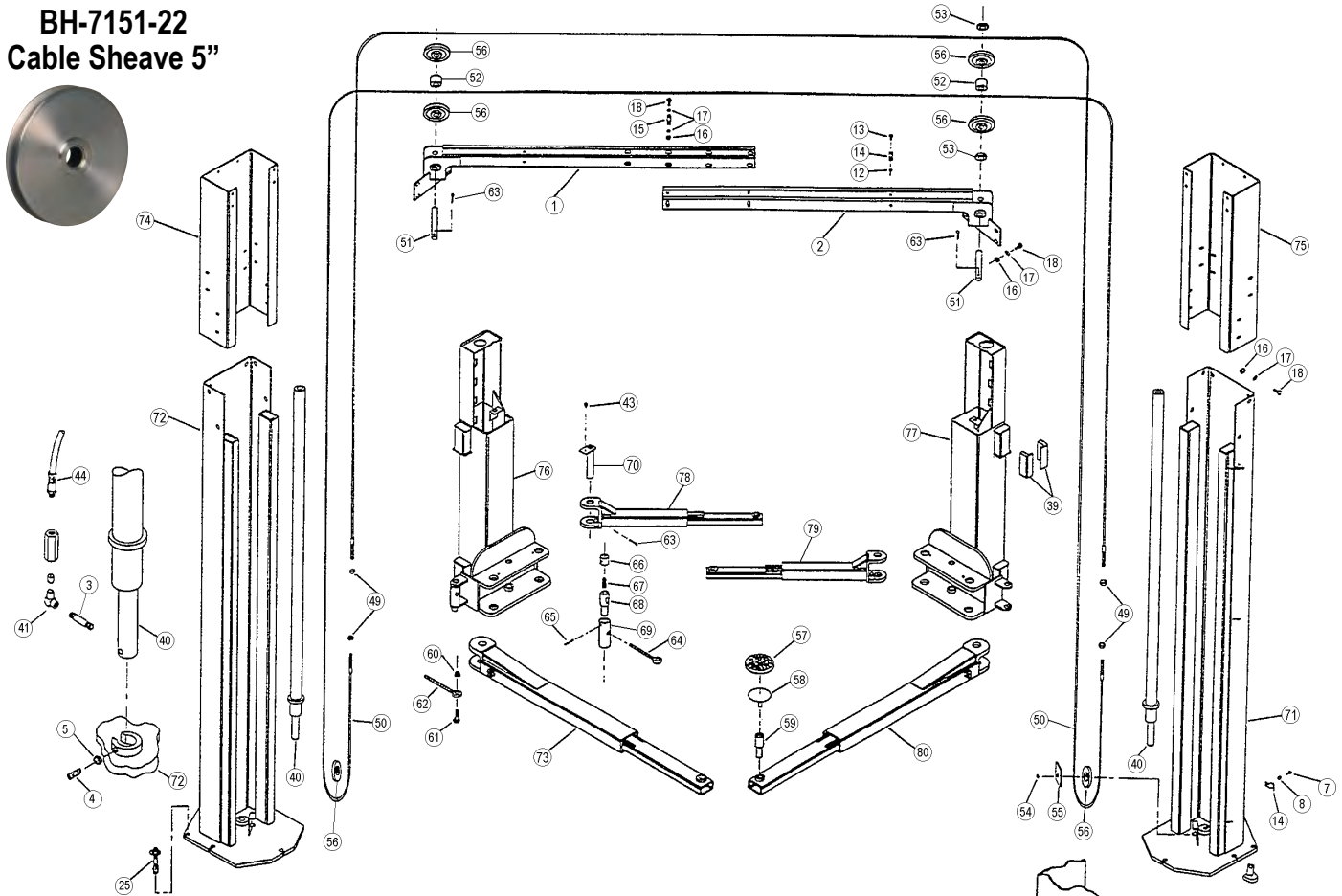
\* Custom Order By Request. Sample may be needed.



# For Model 7002A

**DIRECTFIT™**  
SVI's DIRECT FIT™ BRAND

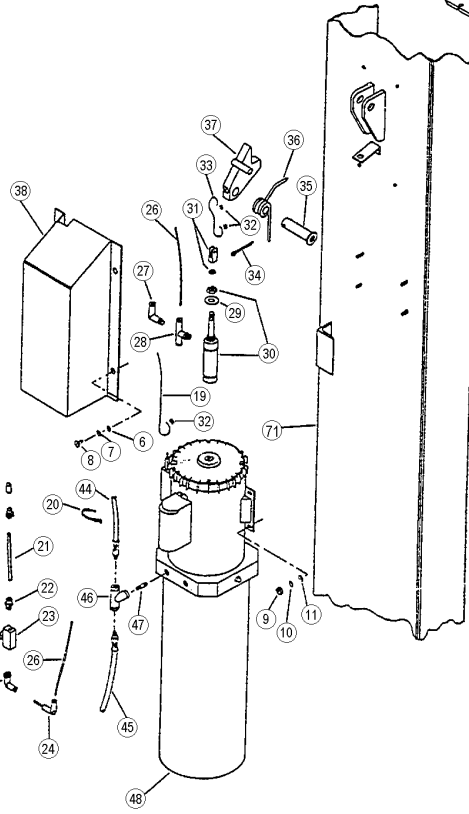
## BH-7151-22 Cable Sheave 5"



## 30 BH-7152-06 Air Cylinder



## BH-7152-05 Air Release Valve





For Model 7002A

**DIRECTFIT™**  
SVI's DIRECT FIT™ BRAND

Item	SVI #	Ref. OEM #	Description
1	BH-7157-11	07-1005A	Inner Profile Top Member
2	BH-7150-59	07-1004A	Drive Profile Top Member
3	BH-7157-43	A93109-13	1/4 NPT x 2-1/2" Nipple
4	BH-7157-42	A00183-12	Dog Point Set Screw
5	BH-7157-41	A00060-06	Hex Jam Nut 3/8-16
6	F-FW-0250-SAE	A00003-04	1/4" Plain Washer
7	F-LW-0250	A00002-04	1/4" Split Washer
8	F-HC-0250-20-0500	A00189-04	Hex Head Screw 1/4-20 x 1/2
9	F-HN-0312-18	A00001-05	Hex Nut 5/16-18
10	F-LW-0312	A00002-05	5/16" Split Lockwasher
11	F-FW-0312-SAE	A00003-05	5/16" Plain Washer
12	BH-7153-70	A00007-04	Security Locknut 1/4-20
13	F-HC-0250-20-0500	A00004-04	Hex Bolt 1/4-20 x 1/2
14	BH-7157-39	A00186	Hose Clip
15	BH-7157-38	07-3153	Hose Mounting Clip
16	BH-7154-63	A00007-06	Security Locknut 3/8-16
17	F-FW-0375-SAE	A00003-06	3/8" Plain Washer
18	F-HC-0375-16-1250	A00006-10	Hex Bolt 3/8-16 x 1-1/4
19	BH-7157-36	A00017-210	Cable 1/16 x 210
20	BH-7153-90	X00025	Wire Tire 5-1/2"
21	BH-7157-35	A00094-04 / -50FT	Air Hose 1/4" (Sold in 50' Roll)
22	BH-7153-96	A00082-10	Male Connector 1/4 to 1/8 NPT
23	<b>BH-7152-05</b>	<b>X00113</b>	<b>Air Release Valve</b>
24	BH-7153-99	A00082-14	Plug In Elbow 5/32 to 5/32
25	BH-7075-03L	X0015	3/4 X 5-1/2 Wedge Anchor
26	BH-7157-34	A00084-23	Air Hose 5/32 x 312"
27	BH-7152-25	A00082-09	Male Elbow
28	BH-7155-54	A00082-17	Branch Tee 5/32 Hose x 1/8 NPT
29	BH-7151-26	X00097-10	Internal Tooth Lockwasher 5/8
30	<b>BH-7152-06</b>	<b>A00095</b>	<b>Air Cylinder 3/4 x 1</b>
31	BH-7157-33	A073150	Air Cylinder Clevis
32	BH-7153-84	A00021-04	Cable Clamp 1/16"
33	BH-7157-32	A00017-05.7	Cable 1/16 x 5.7"
34	F-CP-187-1500	A00030-12	Cotter Pin 3/16 x 1-1/2
35	BH-7157-30	07-3125A	Safety Dog Axle
36	BH-7152-26	A073132	Safety Torsion Spring 3x2-1/2
37	BH-7157-29	07-3121A	Safety Dog
38	BH-7151-60	07-3151A	Lock Cover
39	<b>BH-7157-49</b>	<b>A073169</b>	<b>Slider Block</b>
40	<b>BH-7150-62</b>	<b>A073110</b>	<b>Hydraulic Cylinder</b>
	<b>BH-7151-52</b>	<b>X00342</b>	<b>Seal Kit</b>
	<b>BH-7232-18SK</b>		<b>Seal Kit for Holmac Cylinder</b>
41	BH-7151-36	A93109-12	90° Elbow

Item	SVI #	Ref. OEM #	Description
43	BH-7157-12	A00187-06	Self Tap Screw 1/4-20 x 3/4
44	BH-7157-26	07-3157-01	Hydraulic Hose Assembly 3/8 x 30"
45	BH-7157-25	07-3152-01	Hydraulic Hose Assy 3/8 x 44"
46	BH-7157-24	A93109-07	Female Tee 3/8 NPT
47	BH-7157-23	A93109-11	Nipple 3/8 NPT x 1-1/2
48	BH-7006-01		Hyd. Power Unit 1PH
	BH-7006-03		Hyd. Power Unit 3PH
49	BH-7157-21	A00007-08	Nylock Nut 1/2-13
50	BH-7157-20	A073128-01	Cable Assembly 364-1/2"
51	BH-7157-19	07-1113	Sheave Pin
52	BH-7157-18	07-1112-01	Spacer Tube
53	BH-7157-17	07-1112-02	Spacer Tube
54	BH-7157-16	X00185-.75	Retaining Ring 3/4"
55	BH-7157-15	07-3160	Sheave Guard
56	<b>BH-7150-20</b>	<b>A073120</b>	<b>Cable Sheave 4"</b>
57	<b>BH-7150-02</b>	A94208	Rubber Lift Pad
58	BH-7150-21	07-4160A	Arm Pick-Up Pad
59	BH-7090-14		Arm Pad Ext. Nesting Style 3"
60	F-LN-0750-10	A00007-12	3/4-10 Nylock Locknut
61	BH-7153-80	A00012-24	Hex Bolt 3/4-10 x 3
62	BH-7157-13	07-2158A	Long Arm - Arm Restraint Rod
63	BH-7154-60	A00030-14	Cotter Pin 3/16 x 1-3/4
--	<b>Arm Restraint - Old Style (Not Pictured) - Manual Threaded</b>		
			May need serial # to verify
	<b>BH-7151-19</b>	<b>07-3146A</b>	<b>Arm Restraint Assembly Short</b>
	BH-7151-19A	07-3147A	Arm Restraint Assembly Long
<b>64-69</b>	<b>Arm Restraint - New Style (Pictured) - May need serial # to verify</b>		
64	BH-7152-13	07-2156A	Short Arm - Arm Restraint Rod
65	F-RP-250-1750	A00023-28	Roll Pin 1/4 x 1-3/4
66	BH-7151-11	92-131	Arm Restraint End Cap
67	BH-7151-12	A921312	Arm Restraint Spring
68	BH-7151-13	92-130	Arm Restraint Plunger
69	BH-7151-14	92-129	Arm Restraint Housing
70	BH-7151-57	07-3129A	Arm Pins
71*	BH-7157-01	07-0014A	Drive Side Column
72*	BH-7157-02	07-0015A	Final Column
73*	BH-7157-03	07-4014A	Idle Side Long Arm Assembly
74*	BH-7157-10	07-1009A	Idle Side Column Extension
75*	BH-7157-09	07-1008A	Drive Side Column Extension
76*	BH-7157-08	07-2012A	Idle Side Carriage Assembly
77*	BH-7157-07	07-2009A	Drive Carriage
78*	BH-7157-06	07-4023A	Idle Side Short Arm Assembly
79*	BH-7157-05	07-4020A	Drive Side Short Arm Assembly
80*	BH-7157-04	07-4024A	Drive Side Long Arm Assembly

\* Custom Order By Request. Sample may be needed.



**Arm Restraint (Old Style)**  
**BH-7151-19 (Short) (1 Arm)**  
**BH-7151-19A (Long) (1 Arm)**

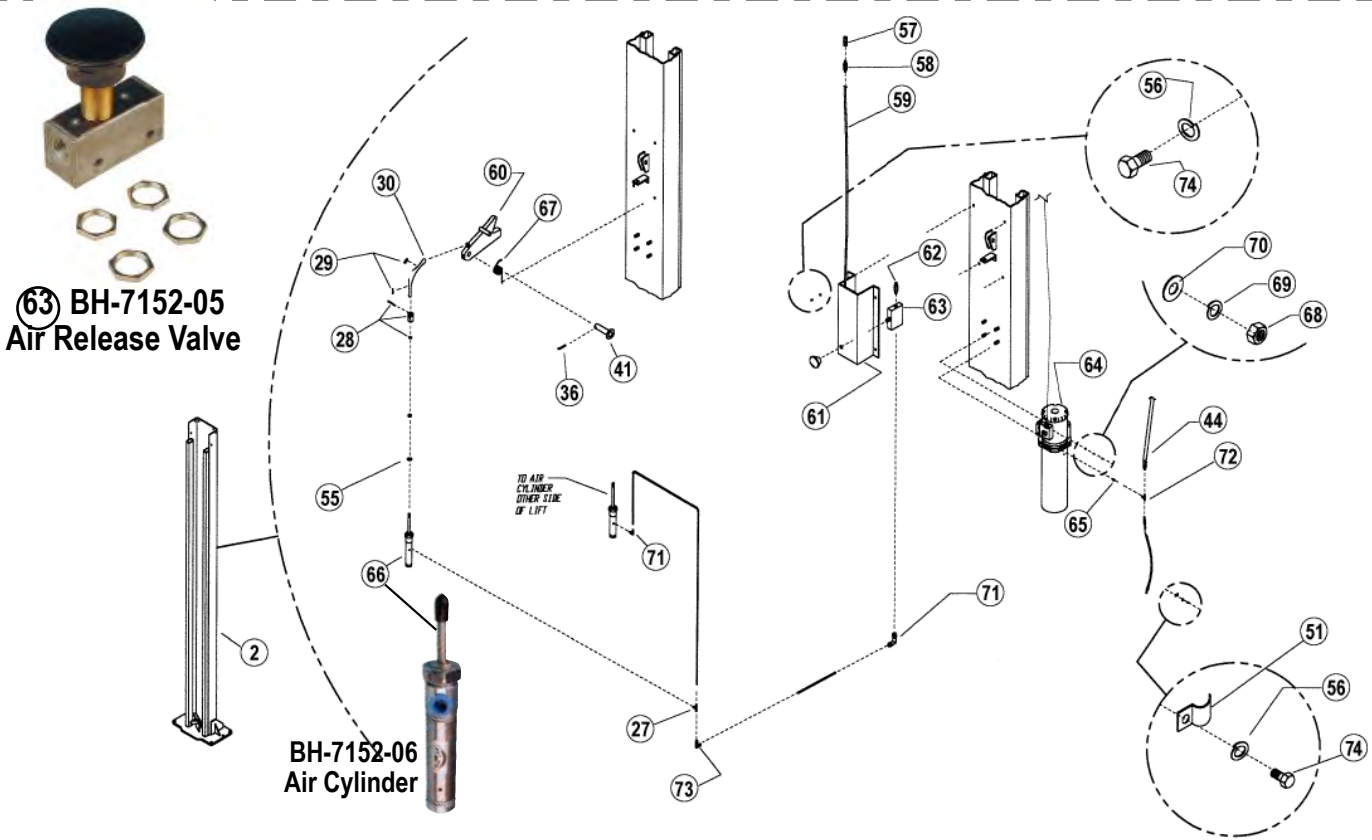
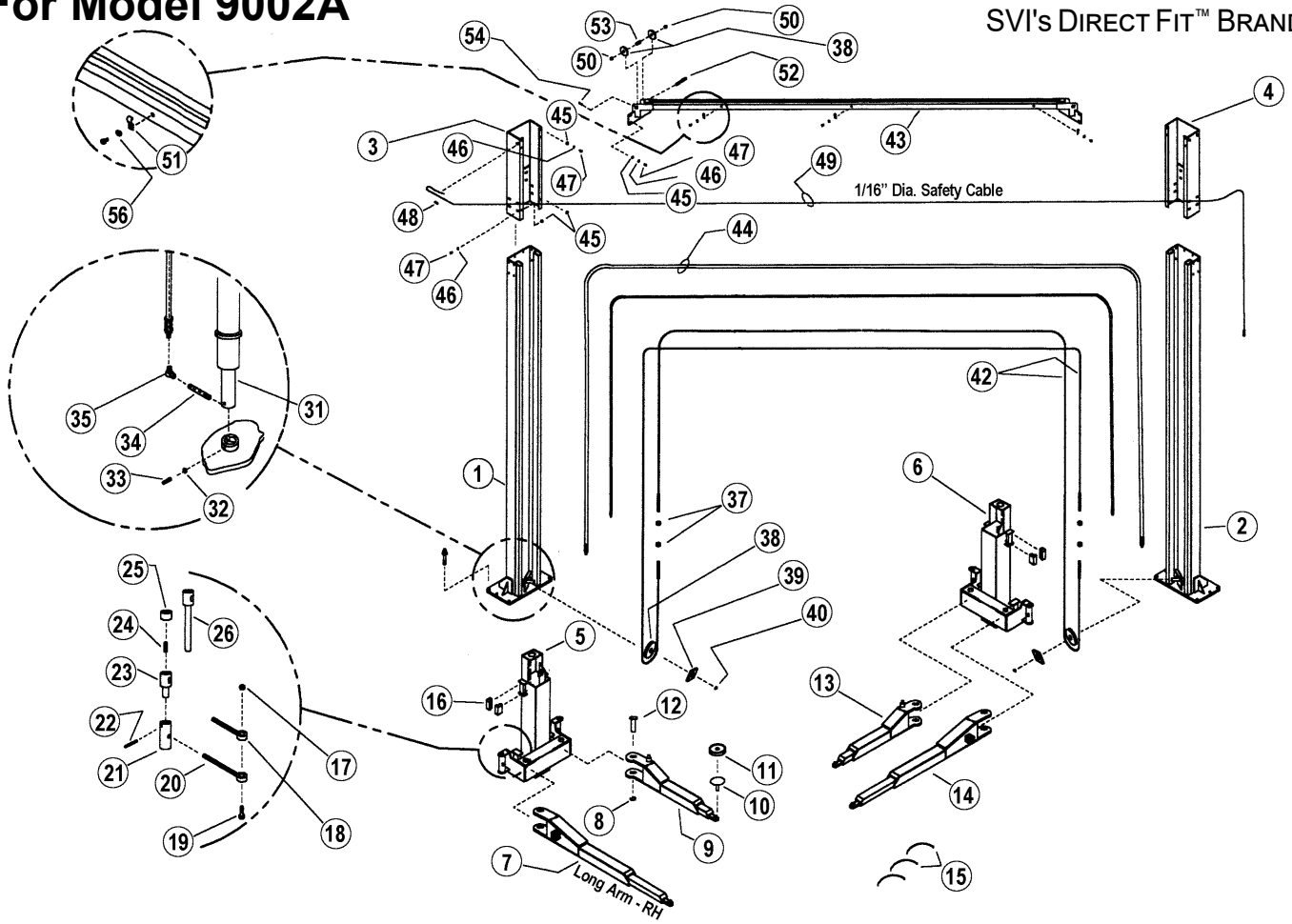
**Arm Restraint (New Style)**



**BH-7150-62**  
(Ref A073110, A07-3110)  
**Hydraulic Cylinder**

For Model 9002A

**DIRECTFIT™**  
SVI's DIRECT FIT™ BRAND





**For Model 9002A**

**DIRECTFIT™**  
SVI's DIRECT FIT™ BRAND

Item	SVI #	Ref. OEM #	Description
1*	call for details	09-0049A	Column - Idle Side
2*	call for details	09-0048A	Column - Control Side
3*	call for details	09-0043A	Extension - Idle Side
4*	call for details	09-0042A	Extension - Control Side
5*	call for details	09-2035A	Carriage - Idle Side
6*	call for details	09-2030A	Carriage - Control Side
7*	call for details	09-4232ARH	Long Arm - RH - Idle Side
8	BH-7153-77	X00032	1-1/2" Snap Ring
9*	call for details	09-4235A	Short Arm - Idle Side
10	BH-7154-07	94-209A	Spin Up Adapter
11	<b>BH-7150-02</b>	<b>A94208</b>	<b>Rubber Arm Pad</b>
12	BH-7154-03	92-120A	Arm Pin
13	call for details	09-4259A	Short Arm - Control Side
14	call for details	09-4260A	Long Arm - Control Side
15	BH-7153-90	X00025	Wire Tie 5-1/2"
16	<b>BH-7157-49</b>	<b>A073169</b>	<b>Slider Block</b>
17	F-LN-0750-10	A00007-12	3/4-10 Lock Nut
18	<b>BH-7151-06</b>	<b>95-107A</b>	<b>Arm Lock Rod 10.5"</b>
19	F-HC-0750-10-3000	A00012-24	3/8-16 x 3" HHCS
20	<b>BH-7157-54</b>	<b>09-4253A</b>	<b>Arm Restraint Rod 11.5"</b>
21	BH-7151-14	92-129	Housing
22	F-RP-250-1750	A00023-28	1/4" x 1-3/4" Roll Pin
23	<b>BH-7151-13</b>	<b>92-130</b>	<b>Plunger</b>
24	BH-7151-12	A92132	Spring
25	<b>BH-7151-11</b>	<b>92-131</b>	<b>End Cap</b>
26	<b>BH-7152-19</b>	<b>09-4248A</b>	<b>Arm Restraint Plunger</b>
27	BH-7155-54	A00082-17	Branch Tee 5/32 Hose to 1/8 NPT
28	BH-7157-33	A073150	Air Cylinder Clevis
29	BH-7153-84	A00021-04	Cable Clamp 1/16"
30	BH-7157-32	A00017-05.7	Cable 1/16" x 5.7"
31	<b>BH-7150-62</b>	<b>A073110</b>	<b>Hydraulic Cylinder</b>
	<b>BH-7151-52</b>	<b>X00342</b>	<b>Seal Kit</b>
	<b>BH-7232-18SK</b>		<b>Seal Kit for Holmac Cylinder</b>
32	F-HN-0375-16	A00001-06	Hex Nut 3/8-16
33	F-SS-0375-16-1500	A00183-12	Dog Point Set Screw 3/8-16 x 1-1/2"
34	BH-7151-37	A93109-14	Pipe Nipple
35	BH-7153-37	A93108-05	Female Elbow 3/8" x 1/4"
36	F-CP-187-1750	A00030-14	Cotter Pin 3/16" x 1-3/4"
37	F-NL-0500-13	A00007-08	Nylock Lock Nut 1/2-13

Item	SVI #	Ref. OEM #	Description
38	<b>BH-7150-20</b>	<b>A073120</b>	<b>4" Cable Pulley</b>
39	BH-7157-15	07-3160	Sheave Guard
40	BH-7150-70	X00185	.75 E-Clip
41	BH-7157-30	07-3125A	Safety Dog Axle
42	BH-7152-34	A093033-01	Equalizer Cable
43*	call for details	09-1006A	Overhead Weldment
44	BH-7157-53	09-3035A-01	Hose
45	BH-7154-63	A00007-06	Security Locknut 3/8-16
46	F-FW-0375-SAE	A00003-06	Washer 3/8
47	F-HC-0375-16-1250	A00006-10	Hex Bolt 3/8-16 x 1-1/4"
48	BH-7153-84	A00021-04	Cable Clamp 1/16"
49	BH-7154-09	A00017-220	Wire Cable 1/16" x 220"
50	BH-7157-17	07-1112-02	Spacer Tube
51	BH-7157-38	07-3153	Hose Mounting Clip
52	BH-7157-19	07-1113	Sheave Pin
53	BH-7157-18	07-1112-01	Spacer Tube
54	F-CP-187-1750	A00030-14	Cotter Pin 3/16 x 1-3/4"
55	BH-7151-26	X00097-10	Lockwasher
56	F-LW-0250	A00002-04	Split Lockwasher 1/4"
57	BH-7157-55	A00081-07	Connector
58	BH-7153-94	A00082-13	Male Connector
59	BH-7157-35	A00094-04 / A00094	Air Line 50' Roll
60	BH-7157-29	07-3121A	Safety Dog
61	BH-7151-60	07-3151A	Lock Cover
62	BH-7153-96	A00082-10	Male Connector 1/4" to 1/8" NPT
63	<b>BH-7152-05</b>	<b>X00113</b>	<b>Air Release Valve</b>
64	<b>BH-7006-01</b>		<b>Hyd. Power Unit 1PH</b>
	<b>BH-7006-03</b>		<b>Hyd. Power Unit 3PH</b>
65	BH-7157-23	A93109-11	Nipple 3/8 NPT x 1-1/2"
66	<b>BH-7152-06</b>	<b>A00095</b>	<b>Air Cylinder</b>
67	BH-7152-26	A073132	Spring
68	F-HC-0312-18-0500	A00001-05	5/16-18 x 1/2" Hex Head Capscrew
69	F-LW-0312	A00002-05	Split Lockwasher 5/16"
70	F-FW-0312-SAE	A00003-05	Washer 5/16"
71	BH-7152-25	A00082-09	Male Elbow
72	BH-7157-24	A93109-07	Female Tee 3/8 NPT
73	BH-7153-99	A00082-14	Plug-In Elbow 5/32 to 5/32
74	call for details	X00393	Bolt

\* Custom Order By Request. Sample may be needed.



**BH-7152-19**  
(Ref 09-4248A)  
**Arm Restraint Plunger**



**BH-7157-54**  
(Ref 09-4253A)  
**Arm Restraint Rod**



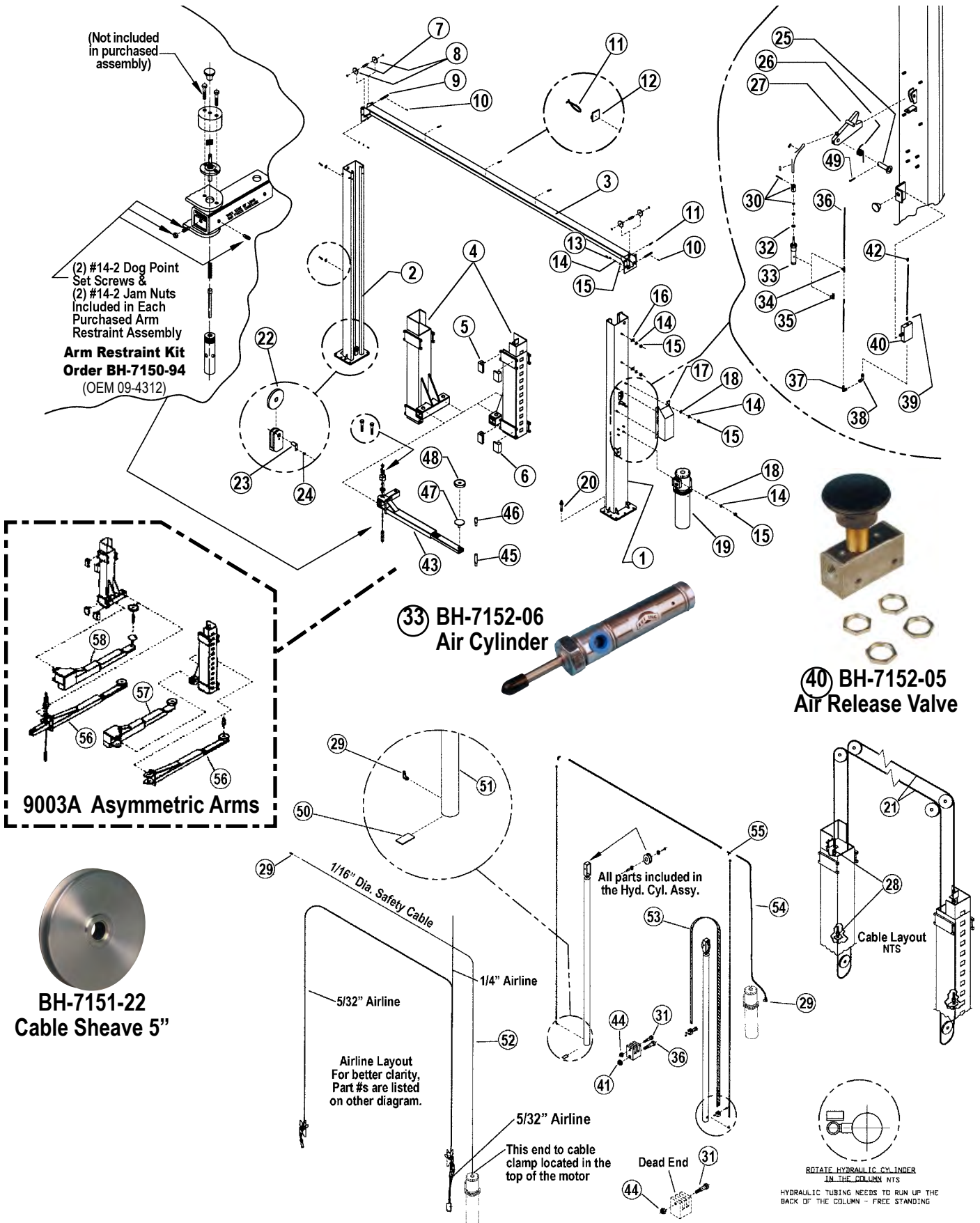
**BH-7150-62**  
(Ref A073110, A07-3110)  
**Hydraulic Cylinder**

*Cylinder Seal Kits Available, too!*



For Models 9003 and 9003A

**DIRECTFIT™**  
SVI's DIRECT FIT™ BRAND







# For Models 9003 and 9003A

**DIRECTFIT™**  
SVI's DIRECT FIT™ BRAND

Item	SVI #	Ref. OEM #	Description
1*	call for details	09-0060A	Column - Control Side
2*	call for details	09-0059A	Column - Idle Side
3*	call for details	09-1131A	Overhead Weldment
4*	call for details	09-2301A	Carriages
5	call for details	A092306	Slider Block
6	call for details	A092307	Slider Block
7	call for details	09-1136-01	Pulley Pin
8	<b>BH-7151-22</b>	<b>A90124</b>	<b>Cable Sheave 5"</b>
9	call for details	09-1135	
10	F-CP-187-1750	A00030-14	Cotter Pin 3/16 x 1-3/4
11	BH-7153-90	X00025	Wire Tie 5-1/2
12	BH-7155-63	X00123	Hose Tie Mounting Clip
13	F-HC-0312-18-1000	A00005-08	Hex Bolt 5/16-18 x 1
14	F-LW-0312	A00002-05	Split Lockwasher 5/16
15	F-HN-0312-18	A00001-05	Hex Nut 5/16-18
16	BH-7157-38	07-3153	Hose Mounting Clip
17	BH-7151-60	07-3151A	Lock Cover
18	F-FW-0312-SAE	A00003-05	Washer 5/16
19	BH-7006-01		Hyd. Power Unit 1PH
	BH-7006-03		Hyd. Power Unit 3PH
20	BH-7075-03L	X00015	3/4 x 5-1/2" Wedge Anchor
21	BH-7151-75	A93133-23	Equalizer Cable 379"
	BH-7151-68	A93133-16	Equalizer Cable 367-1/4"
	call for details	A93033-16	Equalizer Cable, Specify Length
22	<b>BH-7151-22</b>	<b>A90124</b>	<b>Cable Sheave 5"</b>
23	BH-7151-23	90-130A-01	Sheave Axle
24	F-HC-0250-20-0500	A00004-04	Hex Bolt 1/4-20 x 1/2
25	BH-7157-30	07-3125A	Safety Dog Axle
26	BH-7152-26	A073132	Spring
27	BH-7157-29	07-3121A	Safety Dog
28	F-LN-0750-10	A00007-12	Locknut 3/4-10
29	BH-7153-35	A93108-01	Male Elbow 3/8" x 3/8" NPT
30	BH-7157-33	A073150	Air Cylinder Clevis

Item	SVI #	Ref. OEM #	Description
31	F-SB-0312-1500	A00027	Shoulder Bolt 5/16 x 1-1/2"
32	BH-7151-26	X00097-10	Lockwasher
33	<b>BH-7152-06</b>	<b>A00095</b>	<b>Air Cylinder</b>
34	BH-7155-54	A00082-17	Branch Tee 5/32 Hose x 1/8 NPT
35	BH-7152-25	A00082-09	Male Elbow
36	BH-7153-52	A00194	Socket Head Capscrew 7/16-14 x 3
37	BH-7153-99	A00082-14	Plug-In Elbow 5/32 to 5/32
38	BH-7152-25	A00082-09	Male Elbow
39	BH-7153-96	A00082-10	Male Connector 1/4 to 1/8 NPT
40	<b>BH-7152-05</b>	<b>X00113</b>	<b>Air Release Valve</b>
41	BH-7153-72	A00007-07	Locknut 7/16-14
42	BH-7153-94	A00082-13	Male Connector 1/4 Hose to 1/4 NPT
43*	call for details	09-4300A	Arms 9003 <i>(for 9003A arms, see items 67-69)</i>
44	BH-7153-70	A00007-04	Security Locknut 1/4-20
45	call for details	07-4178A	See Height Extensions Section
46	BH-7157-14	07-4171A	3" Arm Pad Extension
47	BH-7150-21	07-4160A	Adapter Base Drop-In
48	<b>BH-7150-02</b>	<b>A94208</b>	<b>Rubber Pad</b>
49	BH-7157-31	A00030-12	Cotter Pin 3/16 x 1-1/2
50	BH-7153-38	93-111	Cylinder Shim
51	BH-7151-66	A093304	Hydraulic Cylinder with Roller
	BH-7150-62	A073110	Hydraulic Cylinder Inverted
	BH-7152-36	X00441	Seal Kit for 9003A Chain Over Cyl.
	BH-7151-52	X00342	Seal Kit
	BH-7232-18SK		Seal Kit for Holmac Cylinder
52	BH-7050-01		1/16" Safety Cable
53	See Chain Book	A92123	3/4 Pitch Leaf Chain 84 pitches
54	BH-7151-69	03-3157A-04	Overhead Hose
55	BH-7153-36	A93108-02	Tee Union 3/8 x 3/8 x 3/8
56*	BH-7156-95	09-4329A	Rear Arm without Pickup Pad 9003A
57*	call for details	09-4328A	Short Arm - Control Side 9003A
58*	call for details	09-4325A	Short Arm - Idle Side 9003A

\* Custom Order By Request. Sample may be needed.

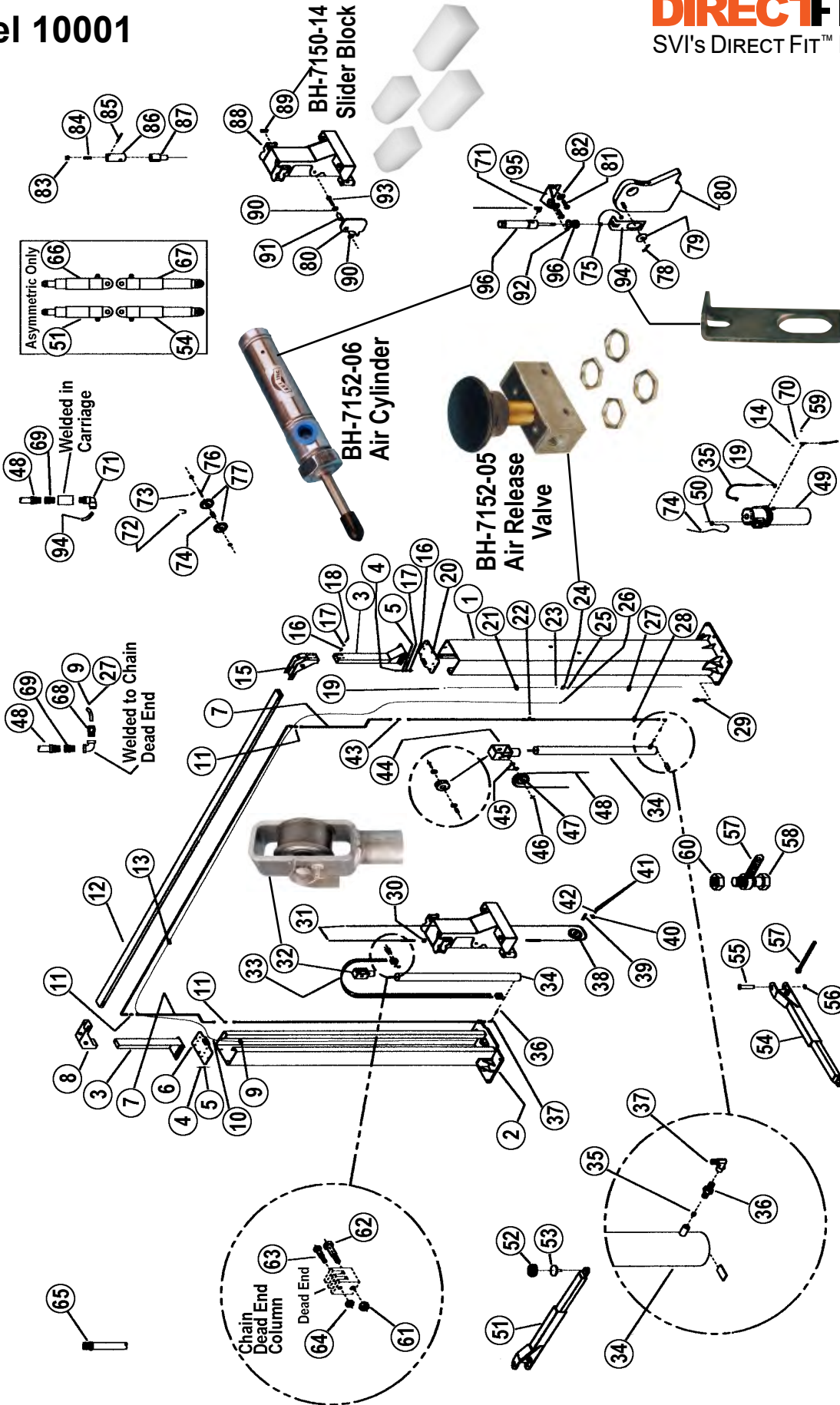


# For Model 10001

**DIRECTFIT™**  
SVI's DIRECT FIT™ BRAND



**BH-7151-22**  
Cable Sheave 5"





**For Model 10001**

**DIRECTFIT™**  
SVI's DIRECT FIT™ BRAND

Item	SVI #	Ref. OEM #	Description
1*	call for details	10-0016A	Column
2*	call for details	10-0012A	Column
3*	BH-7154-20	91-003A	Pedestal Weldment
4	F-HC-0375-16-1250	A00006-12	Hex Bolt 3/8-16 x 1-1/4"
5	F-FW-0375-SAE	A00003-06	Washer 3/8"
6	BH-7153-43	90-014A	Top Plate Assembly, Idle Column
7	BH-7154-15	93-106	Hydraulic Tubing 3/8 x 54
8*	call for details	15-1010A	Corner Assembly
9	See Air Line Book	A00084-11	Pneumatic Tubing 5/32 x 104
10	BH-7153-91	A00082-16	Air Hose Coupling 5/32 to 5/32
11	BH-7151-40	A93108-03	Union
12	BH-7154-08	91-113	Overhead Tube
13	BH-7153-93	A00084-21	Tubing 5/32 x 287"
14	F-FW-0312-SAE	A00003-05	Washer 5/16"
15*	call for details	15-1010A	Corner Assembly
16	F-HN-0375-16	A00001-06	Hex Nut 3/8-16
17	F-LW-0375	A00002-06	3/8" Split Washer
18	F-HC-0375-16-1000	A00006-08	Hex Bolt 3/8-16 x 1"
19	BH-7153-35	A93108-01	Male Elbow 3/8" x 3/8" NPT
20	BH-7153-41	90-012A	Column Top Plate Assembly
21	See Air Line Book	A00094-03	Pneumatic Tubing 1/4 x 51"
22	BH-7153-36	A93108-02	Tee Union 3/8 x 3/8 x 3/8
23	BH-7153-96	A00082-10	Male Connector 1/4 to 1/8 NPT
24	<b>BH-7152-05</b>	<b>X00113</b>	<b>Air Release Valve</b>
25	BH-7153-97	A00082-15	Male Running Tee 5/32 x 5/32 x 1/8
26	BH-7153-99	A00082-14	Plug-In Elbow 5/32 to 5/32
27	BH-7154-00	A00084-14	Tubing 5/32 x 55-14"
28	BH-7153-31	93-105-02	Hydraulic Tube 64-3/8"
29	BH-7075-03	X00015	3/4 x 5-1/2" Wedge Anchor
30	F-LN-0750-10	A00007-12	Locknut 3/4-10
31	BH-7150-13	A93133-01	Equalizer Cable
32	<b>BH-7150-61</b>	<b>93-222A</b>	<b>Yoke Bracket</b>
33	See Chain Book	A92123	3/4" Pitch Leaf Chain
34	<b>BH-7150-19</b>	<b>A93102</b>	<b>Cylinder</b>
35	BH-7150-91	93-014A	Hose
36	BH-7151-34	A93109-02	Adapter
37	BH-7153-37	A93108-05	Female Elbow 3/8 x 1/4
38	<b>BH-7151-22</b>	<b>A90124</b>	<b>Cable Sheave 5"</b>
39	BH-7151-23	90-130A-01	Sheave Axle
40	BH-7153-51	90-118	Keeper Plate
41	BH-7153-85	A00004-04	Hex Bolt 1/4-20 x 1/2"
42	F-LW-0250	A00002-04	Split Lockwasher 1/4"
43	BH-7151-40	A93108-03	Union
44	BH-7150-98	93-221A	Chain Sheave Bracket Enclosed Style
45	BH-7153-49	A00003-06	Washer 3/8"
46	BH-7151-17	A00056-08	Cotter Key
47	BH-7151-65	93-117	Pulley
48	<b>BH-7150-71</b>	<b>93-120A</b>	<b>Carriage Air Line with Fitting</b>
49	<b>BH-7006-01</b>		<b>Hyd. Power Unit 1PH</b>
	<b>BH-7006-03</b>		<b>Hyd. Power Unit 3PH</b>

Item	SVI #	Ref. OEM #	Description
50	BH-7153-84	A00021-04	Cable Clamp 1/16"
51*	BH-7154-06	94-001ALH	LH Arm Assembly
52	BH-7150-02	A94208	Rubber Pad
53	BH-7154-07	94-209A	Lift Pad Assy (does not include pad)
54*	BH-7151-63	94-001ARH	Left Front Arm Assembly
55	BH-7154-03	92-120A	Arm Pin
56	BH-7153-77	X00032	1-1/2" Snap Ring
57	<b>BH-7151-06</b>	<b>95-107A</b>	<b>Arm Lock Rod 10.5"</b>
58	F-HC-0750-10-3000	A00012-24	Hex Bolt 3/4-10 x 3"
59	F-HN-0312-18	A00001-05	Hex Nut 5/16-18
60	F-LN-0750-10	A00007-12	Locknut 3/4-10
61	BH-7153-72	A00007-07	Locknut
62	call for details		Shoulder Bolt
63	F-SB-0312-1500	A00027	Shoulder Bolt
64	BH-7153-70	A00007-04	Security Locknut
65	BH-7153-40	A93108-08	Ferrulok Ferrule 3/8"
66*	call for details		RH Short Arm Assembly
67*	call for details		RH Long Arm Assembly
68	BH-7154-01	A00082-03	Male Air Hose Fitting 5/32 x 1/8 MNPT
69	BH-7153-86	A00081-08	Pipe Swivel Adapter 1/8 NPT/JIC
70	F-LW-0312	A00002-05	Split Lockwasher 5/16"
71	BH-7152-25	A00082-09	Male Elbow
72	BH-7153-90	X00025	Wire Tie 5-1/2"
73	F-CP-187-1750	X00030-14	Cotter Pin 3/16 x 1-3/4"
74	BH-7154-09	A00017-220	Wire Cable 1/16 x 220"
75	BH-7151-15	A00098-04	Nut
76	<b>BH-7151-21</b>	<b>91-117</b>	<b>Sheave Axle</b>
77	<b>BH-7151-22</b>	<b>A90124</b>	<b>Cable Sheave 5"</b>
78	BH-7151-17	A00056-08	Cotter Key
79	BH-7151-18	A00126-18	Washer
80	BH-7151-27	92-136A	Safety Weldment
81	F-HC-0250-20-1500	A00004-12	Hex Bolt 1/4-20 x 1-1/2"
82	F-FW-0250-SAE	A00003-04	Washer 1/4"
83	BH-7151-11	92-131	End Cap
84	BH-7151-12	A92132	Spring
85	F-RP-0250-1750	A00023-28	Roll Pin 1/4" x 1-3/4"
86	BH-7151-14	92-129	Housing
87	BH-7151-13	92-130	Arm Restraint Plunger
88*	BH-7154-21	92-004A	Carriage Weldment
89	<b>BH-7150-14</b>	<b>92-115</b>	<b>Slider Block</b>
90	BH-7153-65	A00003-12	3/4" Washer
91	BH-7153-64	92-303	Safety Block Spacer
92	BH-7151-26	X00097-10	Lockwasher
93	F-HC-0375-10-3000	A00013-24	Hex Bolt 3/4-10 x 3"
94	BH-7151-16	92-137	Bracket
95	<b>BH-7152-07</b>	<b>A00100</b>	<b>Bracket</b>
96	<b>BH-7152-06</b>	<b>A00095</b>	<b>Air Cylinder</b>

\* Custom Order By Request. Sample may be needed.



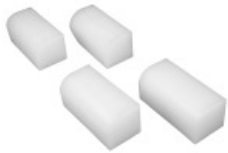
For Model 12001

**DIRECTFIT™**  
SVI's DIRECT FIT™ BRAND



**BH-7151-23** (Ref 90-130A-01)  
Sheave Axle 3/4" x 1-1/2" OAL

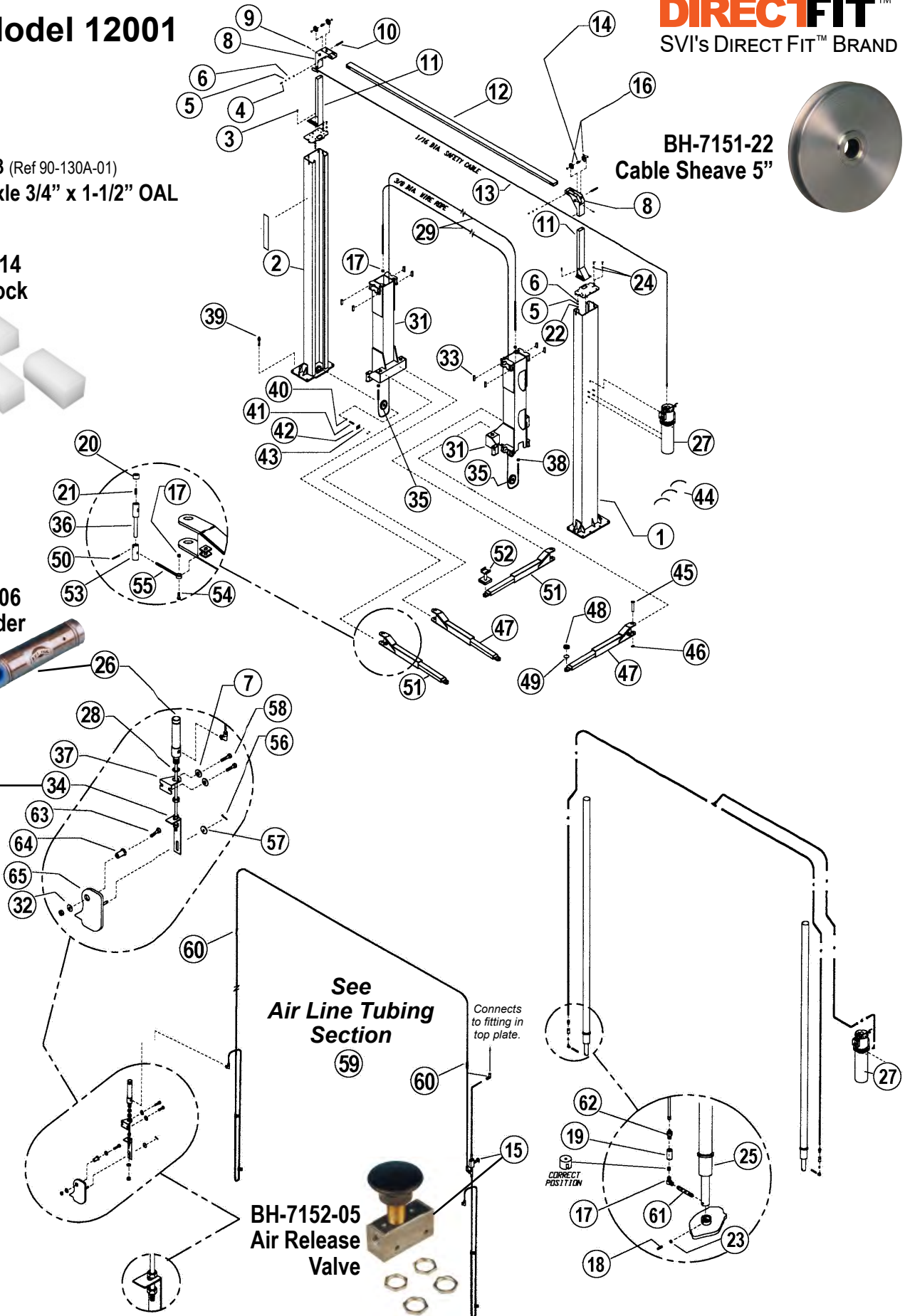
**BH-7150-14**  
Slider Block



**BH-7151-22**  
Cable Sheave 5"



**BH-7152-06**  
Air Cylinder





**For Model 12001**

**DIRECTFIT™**  
SVI's DIRECT FIT™ BRAND

Item	SVI #	Ref. OEM #	Description
1*	call for details	15-0028A	Column
2*	call for details	15-0029A	Column
3	F-HC-0375-16-1250	A00006-12	Hex Bolt 3/8-16 x 1-1/4"
4	F-HC-0375-16-1000	A00006-08	Hex Bolt 3/8-16 x 1"
5	F-FW-0375-SAE	A00003-06	Washer 3/8"
6	F-LW-0375	A00002-06	Split Lockwasher 3/8"
7	F-FW-0250-SAE	A00003-04	Washer 1/4"
8*	call for details	91-002A	Corner Assembly
9	F-CP-187-1750	A00030-14	Cotter Pin 3/16" x 1-3/4"
10	<b>BH-7151-21</b>	<b>91-117</b>	<b>Sheave Axle</b>
11*	BH-7157-51	15-1003A	Column Extension
12*	call for details	15-1006	Overhead Weldment
13	<b>BH-7050-01</b>	<b>A00017-250</b>	<b>Safety Cable</b>
14	call for details	15-1014A	Spacer
15	<b>BH-7152-05</b>	<b>X00113</b>	<b>Air Release Valve</b>
16	<b>BH-7151-22</b>	<b>A90124</b>	<b>Cable Sheave 5"</b>
17	BH-7151-36	A93109-12	90° Fitting
18	F-SS-0375-16-1500	A00183-12	Dog Point Set Screw 3/8-16 x 1-1/2"
19	BH-7151-33	A93109-18	Coupling
20	BH-7151-11	92-131	End Cap
21	BH-7151-12	A92132	Spring
22	F-HN-0375-16	A00001-06	Hex Nut 3/8-16
23	F-HN-0375-16	A00001-06	Hex Nut 3/8-16
24	BH-7150-80	A00003-08	Washer
25	<b>BH-7150-62</b>	<b>07-3110</b>	<b>Hydraulic Cylinder</b>
	BH-7151-52	X00342	Seal Kit for some 12000-2 Post
	BH-7232-18SK		Seal Kit for Holmac Cylinder
26	<b>BH-7152-06</b>	<b>A00095</b>	<b>Air Cylinder</b>
27	<b>BH-7006-01</b>		<b>Hyd. Power Unit 1PH</b>
	<b>BH-7006-03</b>		<b>Hyd. Power Unit 3PH</b>
28	BH-7151-26	X00097-10	Lockwasher
29	BH-7150-17	93133-03	Equalizer Cable
30	BH-7152-25	A00082-09	Male Elbow

\* Custom Order By Request. Sample may be needed.

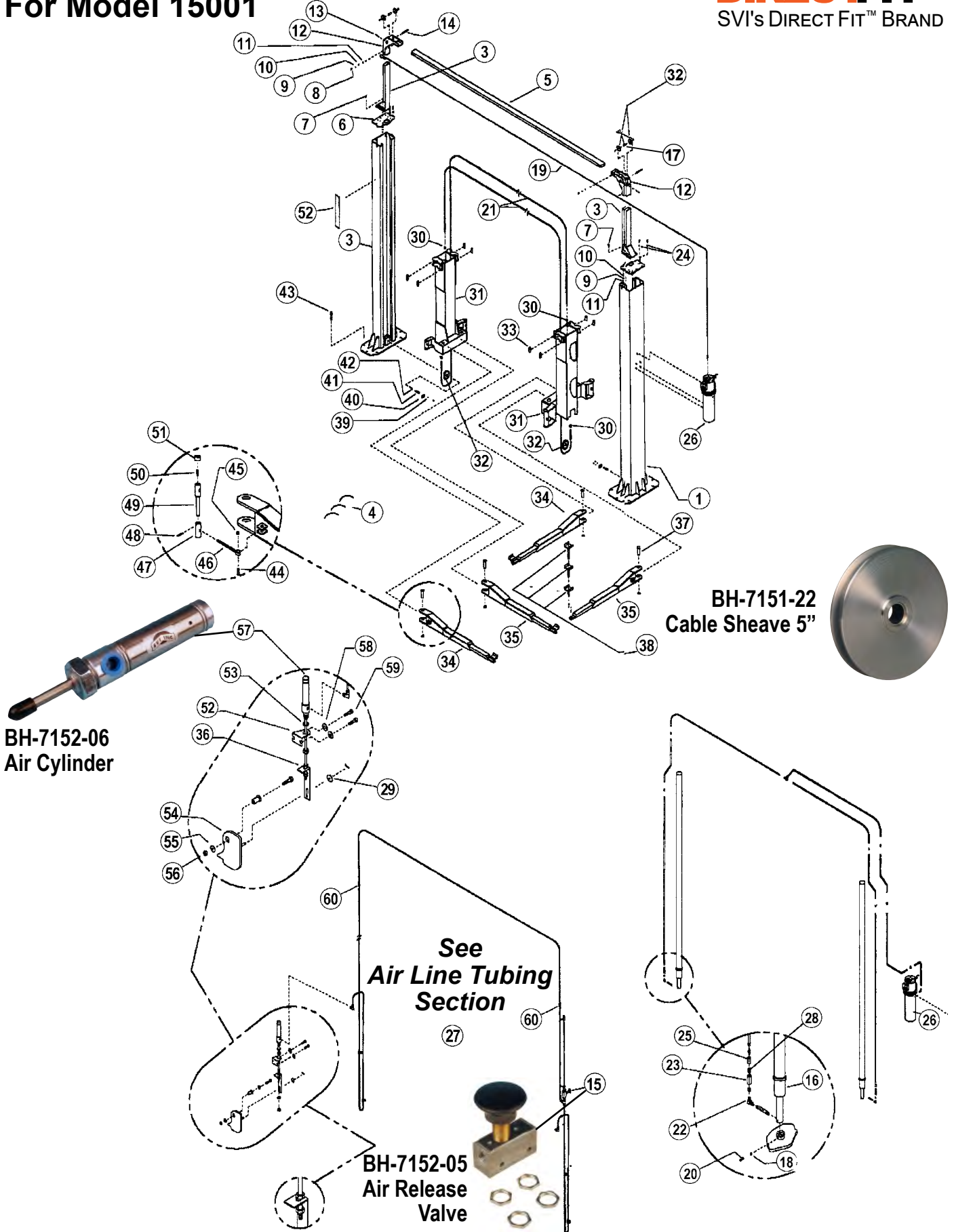
Item	SVI #	Ref. OEM #	Description
31*	call for details	15-2028A	Carriage
32	F-FW-0875-USS	A00003-14	Plain Washer 7/8"
33	<b>BH-7150-14</b>	<b>92-115</b>	<b>Slider Block</b>
34	BH-7151-16	92-137	Bracket
35	<b>BH-7151-22</b>	<b>A90124</b>	<b>Cable Pulley 5"</b>
36	<b>BH-7151-13</b>	<b>92-130</b>	<b>Arm Restraint Plunger</b>
37	<b>BH-7152-07</b>	<b>A00100</b>	<b>Bracket</b>
38	F-NL-0500-13	A00007-08	Nylock Locknut 1/2-13
39	BH-7075-03	X00015	3/4" x 5-1/2" Wedge Anchor
40	BH-7157-16	X00185-.75	3/4" Retaining Ring
41	BH-7150-20A	90-130	Sheave Axle
42	BH-7153-51	90-118	Keeper Plate
43	F-LW-0250	A00002-04	Split Lockwasher 1/4"
44	BH-7153-90	X000025	Wire Tie
45	BH-7154-03	92-120A	Arm Pin
46	BH-7153-77	X00032	1-1/2" Snap Ring
47*	BH-7154-06	94-001ALH	LH Arm Assembly
48	<b>BH-7150-02</b>	<b>94-208</b>	<b>Rubber Pad</b>
49*	BH-7154-07	94-209A	Lift Pad Assembly
50	F-RP-250-1750	A00023-28	Roll Pin 1/4" x 1-3/4"
51*	BH-7151-63	94-001ARH	Left Front Arm
52	call for details	94-005A	Adapter
53	BH-7151-14	92-129	Housing
54	F-HC-0750-10-3000	A00012-24	Hex Bolt 3/4-10 x 3"
55	<b>BH-7151-06</b>	<b>95-107A</b>	<b>Arm Lock Rod 10.5"</b>
56	BH-7151-17	A00056-08	Cotter Key
57	BH-7151-18	A00126-18	Washer
58	F-HC-0250-20-1500	A00004-12	Hex Bolt 1/4-20 x 1-1/2"
59	<b>Available—Call</b>		<b>5/32" Dia. Pneumatic Tubing</b>
60	BH-7153-91	A00082-16	Air Hose Coupling
61	call for details	A93109-15	
62	call for details	A93108-12	
63	call for details	A152023	
64	call for details	15-2015	
65	call for details	15-2025A	





For Model 15001

**DIRECTFIT™**  
SVI's DIRECT FIT™ BRAND





# For Model 15001

**DIRECTFIT™**  
SVI's DIRECT FIT™ BRAND

Item	SVI #	Ref. OEM #	Description
1*	call for details	15-0003A	Column - Drive Side
2*	call for details	15-0004A	Column - Idle Side
3*	BH-7157-51	15-1003A	Column Extension
4	BH-7153-90	X000025	Wire Tie
5*	call for details	15-1006	Overhead Weldment
6*	call for details	15-0022	Top Plate
7	F-HC-0375-16-1250	A00006-12	Hex Bolt 3/8-16 x 1-1/4"
8	F-HC-0375-16-1250	A00006-10	Hex Bolt 3/8-16 x 1-1/4"
9	F-FW-0375-SAE	A00003-06	Washer 3/8"
10	F-LW-0375	A00002-06	Split Lockwasher 3/8
11	F-HN-0375-16	A00001-06	Hex Nut 3/8-16
12*	call for details	91-002A	Top Corner
13	F-CP-187-1750	A00030-14	Cotter Pin 3/16 x 1-3/4"
14	<b>BH-7151-21</b>	<b>91-117</b>	<b>Sheave Axle</b>
15	<b>BH-7152-05</b>	<b>X00113</b>	<b>Air Release Valve</b>
16	BH-7151-70	A150002	Hydraulic Cylinder
	BH-7151-74	X00623	Seal Kit
	BH-7152-39		Seal Kit Serial #812-01075
17	call for details	15-1014A	Spacer
18	F-JN-0375-16	A00060-06	Hex Jam Nut 3/8-16
19	BH-7050-01	A00017-256	Wire Cable
20	F-SS-0375-16-1500	A00183-12	Dog Point Set Screw 3/8-16 x 1-1/2
21	call for details	AB93133-09	Cable
22	BH-7151-36	A93109-12	90° Fitting
23	BH-7151-33	A93109-18	Coupling
24	BH-7150-80	A00003-08	Washer
25	BH-7151-32	A93109-17	Coupling
26	Call with Make & Model		Power Unit
27	Available—Call		5/32" Dia. Pneumatic Tubing
<b>See Air Line Tubing Section</b>			
28	BH-7151-34	A93109-02	Hex Pipe Nipple 1/4 - 3/8
29	BH-7151-18	A00126-18	Washer
30	F-NL-0500-13	A00007-08	Nylock Locknut 1/2-13
31*	call for details	15-2001A	Carriage
32	<b>BH-7151-22</b>	<b>A90124</b>	<b>Cable Sheave 5"</b>

Item	SVI #	Ref. OEM #	Description
33	<b>BH-7157-49</b>	<b>A073169</b>	<b>Slider Block</b>
34*	call for details	15-4002A	Arm
35*	BH-7152-38	15-4001A	Rear Arm Passenger
36	call for details	15-2003	Bracket
37	call for details	15-4012A	Arm Pin
38	BH-7150-97	15-4031A	Arm Pad Assembly - Standard
	BH-7150-97FRP	15-4031Ax	Flat Adapter Assembly with Pad
	call for details	15-4030A	Arm Pad Extension Assembly 5"
	BH-7150-93	15-4029A	Arm Pad Extension Assembly 10"
39	F-LW-0250	A00002-04	Split Lockwasher 1/4"
40	BH-7153-51	90-118	Keeper Plate
41	BH-7150-20A	90-130	Sheave Axle
42	BH-7157-16	X00185-.75	3/4" Retaining Ring
43	BH-7075-03	X00015	3/4 x 5-1/2" Wedge Anchor
44	F-HC-0750-10-3000	A00012-24	Hex Bolt 3/4-10 x 3"
45	F-LN-0750-10	A00007-12	Locknut 3/4-10
46	BH-7152-15	15-4019A	Arm Restraint Rod
47	<b>BH-7151-14</b>	<b>92-129</b>	<b>Housing</b>
48	F-RP-250-1750	A00023-28	Roll Pin 1/4" x 1-3/4"
49	BH-7152-14	15-4021A	Arm Restraint Rod
50	BH-7151-12	A92132	Spring
51	BH-7151-11	92-131	End Cap
52	<b>BH-7152-07</b>	<b>A00100</b>	<b>Bracket</b>
53	BH-7151-26	X00097-10	Lockwasher
54	call for details	15-2025A	Lock Latch
55	F-FW-0875-USS	A00003-14	Plain Washer 7/8"
56	F-SLN-0875-09	A00007-14	Security Locknut 7/8-9
57	call for details	A00098	Air Cylinder
58	F-FW-0250-SAE	A00003-04	Washer 1/4"
59	F-HC-0250-20-1500	A00004-12	Hex Bolt 1/4-20 x 1-1/2"
60	BH-7153-91	A00082-16	Air Hose Coupling 5/32" to 5/32"
<b>Not Pictured (for use with 4HP, 1PH Power Unit)</b>			
	BH-7156-96	X00310	Switch
	BH-7004-36	X00403	Small Microswitch (new style) (pictured below)

\* Custom Order By Request. Sample may be needed.

**BH-7004-36**  
**Small Microswitch**  
**(New Style)**



**BH-7150-97 (Ref 15-4031A)**  
**Arm Adapter - Standard**  
*Please Confirm Threads*




4.25" ID  
2"-4.5 UNC 2A Thread

*Also see BH-7150-97FRP*

**BH-7150-97FRP (Ref 15-4031Ax)**  
**Flat Adapter Assembly**  
**with Rubber Pad**  
**For ALM 15,000 Lb Lift**

*Please Confirm Threads*

**With Rectangle Pad**  
3-7/8" x 5" Top



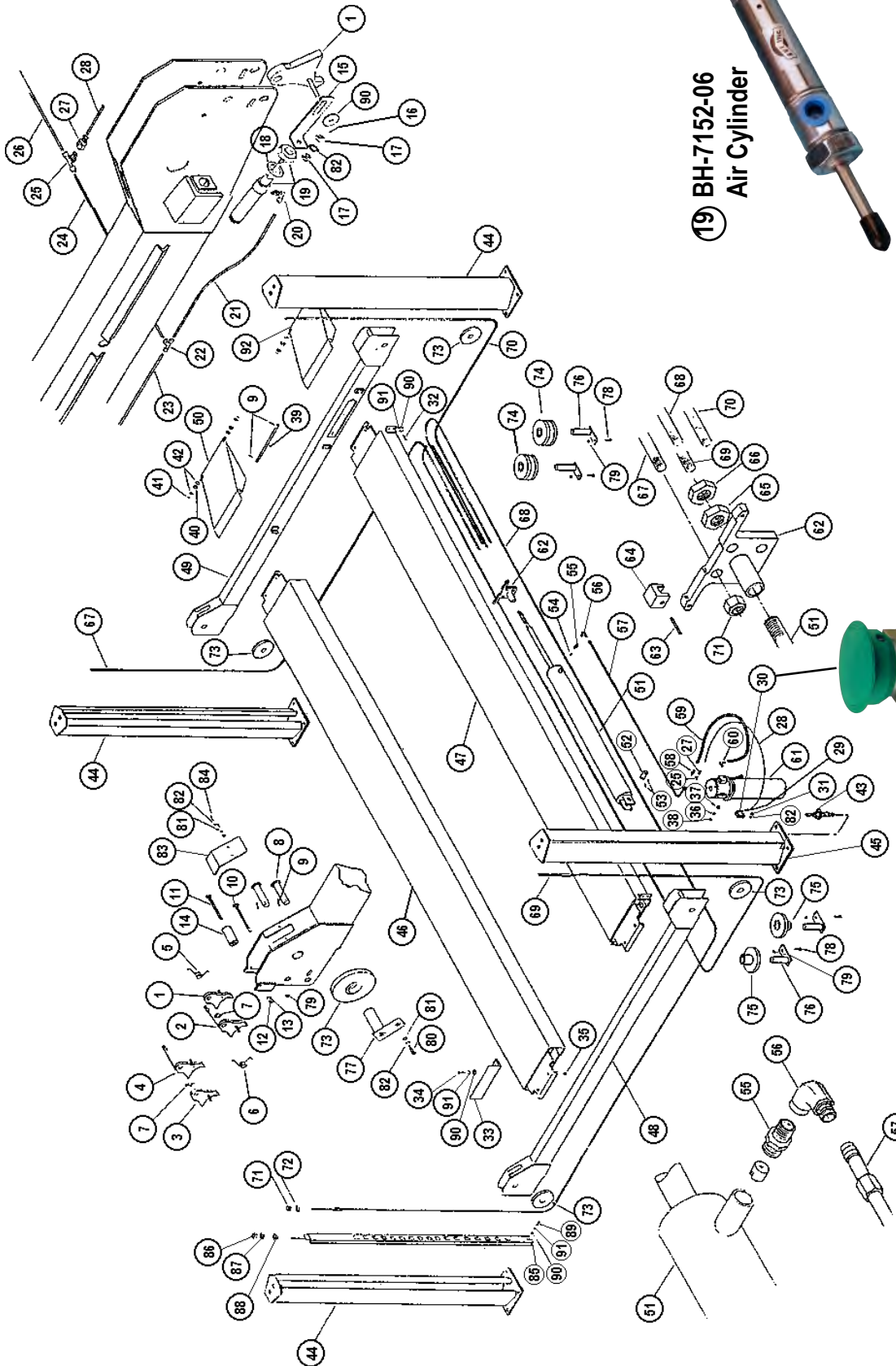
2"-4.5 UNC 2A Thread

**Features Rectangle Rubber Pad BH-7101-00**



For Models 12000, 12000S, 12000WT, 12000WTS

**DIRECTFIT™**  
SVI's DIRECT FIT™ BRAND



**19** BH-7152-06  
Air Cylinder



**BH-7150-67**  
(Ref 12-1213A)  
Single Sheave for  
Track Assembly

**BH-7150-63**  
(Ref 12-1212A)  
Dual Pulley



24  
e  
c  
a  
p





**For Models 12000, 12000S, 12000WT, 12000WTS**

**DIRECTFIT™**  
SVI's DIRECT FIT™ BRAND

Item	SVI #	Ref. OEM #	Description
1	BH-7151-59	12-4123A	Safety Dog Assembly
2	BH-7152-20	12-4122A	Safety Dog Assembly w/Sensor
3	BH-7154-56	12-4124A	Safety Dog Assembly
4	BH-7152-21	12-4121A	Safety Dog Assembly w/Sensor
5	BH-7154-57	B121119-02	LH Torsion Spring
6	BH-7154-58	B121119-01	RH Torsion Spring
7	F-FW-0750-SAE	A00003-12	Plain Washer 3/4"
8	BH-7154-59	12-4110A	Safety Dog Mounting Pin Assembly
9	BH-7154-60	A00030-14	Cotter Pin 3/16 x 1-3/4
10	F-HC-0250-20-4000	A00004-32	Hex Bolt 1/4-20 x 4
11	F-HC-0375-16-4500	A00006-36	Hex Capscrew 3/8-16x4-1/2
12	BH-7154-63	A00007-06	Security Locknut 3/8-16
13	F-LW-0375	A00002-06	Split Washer 3/8
14	BH-7154-64	12-4129	Guide Roller
15	BH-7154-65	12-1196	Safety Release Bracket
16	BH-7154-66	X00089	Hair Pin Cotter 1/2"
17	BH-7151-15	A00098-04	Hex Jam Nut 1/4-28
18	BH-7151-26	X00097-10	Internal Tooth Lockwasher 5/8
19	<b>BH-7152-06</b>	<b>A00095</b>	<b>Air Cylinder</b>
20	BH-7152-25	A00082-09	Elbow 5/32 to 1/8 NPT
21	See Air Line Book	A00084-04	Pneumatic Tubing 5/32 x 13-3/8
22	BH-7151-55	A00082-08	Tee 5/32 x 5/32 x 5/32
23	See Air Line Book	A00084-05	Pneumatic Tubing 5/32 x 94-3/4
24	See Air Line Book	A00084-02	Pneumatic Tubing 5/32 x 10
25	BH-7154-70	A00082-07	Branch Tee 5/32 x 5/32 x 1/4
26	See Air Line Book	A00084-06	Pneumatic Tubing 5/32 x 190-1/2 12000, 12000S & 12000WT
26	See Air Line Book	A00084-03	Pneumatic Tubing 5/32 x 166-1/2 12000WTS
27	BH-7154-72	A00082-06	Bulkhead Fitting 1/4 x 1/4
28	See Air Line Book	A00094-01	Pneumatic Tubing 1/4 x 74-1/2
29	BH-7153-94	A00082-13	Male Connector 1/4 x 1/4
30	<b>BH-7157-59</b>	<b>X00096</b>	<b>Air Valve</b>
31	F-HN-0250-20	A00001-04	Hex Nut 1/4-20
32	F-HC-0500-13-1500	A00008-12	Hex Bolt 1/2-13 x 1-1/2
33	BH-7154-76	12-1110	Wheel Stop
34	BH-7154-77	A00008-14	Hex Bolt 1/2-13 x 1-3/4
35	F-HN-0500-13	A00001-08	Hex Nut 1/2-13
36	F-HN-0312-18	A00001-05	Hex Nut 5/16-18
37	F-LW-0312	A00002-05	Split Lockwasher 5/16
38	F-FW-0312-SAE	A00003-05	Plain Washer 5/16
39	BH-7154-79	12-1109	Ramp Pin
40	BH-7150-66	12-1121	Ramp Roller
41	F-CP-093-1000	X00056-08	Cotter Pin 3/32 x 1
42	F-FW-0375-SAE	A00003-06	Plain Washer 3/8"
43	BH-7154-81	X00133	Anchor 5/8 x 4-3/4
44*	BH-7154-22	12-2003A	Column Weldment - Idle
45*	BH-7154-23	12-2004A	Column Weldment - Drive
46*	BH-7154-24	12-3002A	Track Weldment Idle 12000
46*	BH-7154-82	12-3004A	Track Weldment Idle 12000S
46*	BH-7154-87	12-3030A	Track Weldment Idle 12000WT
46*	BH-7154-90	12-3033A	Track Weldment Idle 12000WTS
47*	BH-7154-25	12-3001A	Track Weldment Drive 12000
47*	BH-7154-83	12-3005A	Track Weldment Drive 12000S
47*	BH-7154-88	12-3029A	Track Weldment Drive 12000WT
47*	BH-7154-91	12-3032A	Track Weldment Drive 12000WTS
48*	BH-7154-26	12-4011A	Crosstube Weldment - Drive
49*	BH-7154-27	12-4012A	Crosstube Weldment - Idle

Item	SVI #	Ref. OEM #	Description
50*	BH-7150-65	12-1106A	Runway Ramp 12000 & 12000S
50*	BH-7152-29	12-1133A	RH Ramp Assy 12000WT & WTS
51	BH-7154-28	B123117	Hydraulic Cylinder
52	BH-7154-29	12-3113	Cylinder Mounting Pin
53	F-CP-187-2000	A00030-16	Cotter Pin 3/16 x 2
55	BH-7151-34	A93109-02	Hex Pipe Nipple 1/4 -1/4 NPT
56	BH-7153-37	A93108-05	Female Elbow 3/8 x 1/4
57	BH-7154-32	12-3126	Hydraulic Tube 3/8 x 104-1/2 12000 & 12000WT
57	BH-7154-84	12-3131	Hydraulic Tube 3/8 x 80-1/2 12000S & 12000WTS
58	BH-7154-33	A93108-11	Bulkhead Fitting 3/8
59	BH-7154-34	12-1118A	Hydraulic Hose Assembly 3/8
60	BH-7154-35	A93108-01	Male Elbow 3/8 x 3/8
61	BH-7154-36	B121115	Hydraulic Power Unit
62	BH-7154-37	12-3109A	End Plate Assembly
63	F-RP-250-1750	A00023-28	Roll Pin 1/4 x 1-3/4
64	BH-7154-38	12-3141	Cylinder Rd End Guide
65	F-HN-1125-07	A00001-18	Hex Nut 1-1/8-7
66	F-JN-1125-07	A00060-18	Hex Jam Nut 1-1/8-7
67-70	Verification of Cable Ends is Necessary		Cable
71	BH-7154-45	A00007-14	Security Locknut 7/8-9
72	F-FW-0875-USS	A00003-14	Plain Washer 7/8
73	<b>BH-7151-31</b>	<b>12-1104A</b>	<b>Crossbeam Sheave (7" OD)</b>
74	BH-7150-63	12-1212A	Double Sheave Assembly
75	BH-7150-67	12-1213A	Single Sheave Assembly
76	BH-7150-64	12-3122A	Sheave Axle Assembly
77	BH-7151-30	12-1111A	Sheave Axle Assembly - Crosstube
78	BH-7154-48	X00061-08	Socket Capscrew 1/4-20 x 1
79	BH-7153-70	A00007-04	Security Locknut 1/4-20
80	F-HC-0250-20-1000	A00004-08	Hex Bolt 1/4-20 x 1
81	F-FW-0250-SAE	A00003-04	Plain Washer 1/4
82	F-LW-0250	A00002-04	Split Lockwasher 1/4
83	BH-7154-49	12-1128	Sheave Cover
84	F-HC-0250-20-0500	A00004-04	Hex Bolt 1/4-20 x 1/2
85	BH-7154-50	12-2116A	Safety Channel Assembly
86	F-HN-1000-08	A00001-16	Hex Nut 1-8
87	F-FW-1000-USS	A00003-16	Plain Washer 1"
88	F-JN-1000-08	A00060-16	Hex Jam Nut 1-8
89	F-HC-0500-13-1250	A00008-10	Hex Bolt 1/2-13 x 1-1/4
90	BH-7150-80	A00003-08	Plain Washer 1/2
91	F-LW-0500	A00002-08	Split Lockwasher 1/2
92	BH-7154-89	12-1132A	LH Ramp Assembly 12000WT & WTS

**Not Pictured:**

BH-7152-09	12-1215K1	<b>Cable &amp; Sheave KIT for 12000, 12000WT and 12000QLC</b>
BH-7152-11	12-1215K2	<b>Cable &amp; Sheave KIT for 12000S</b>

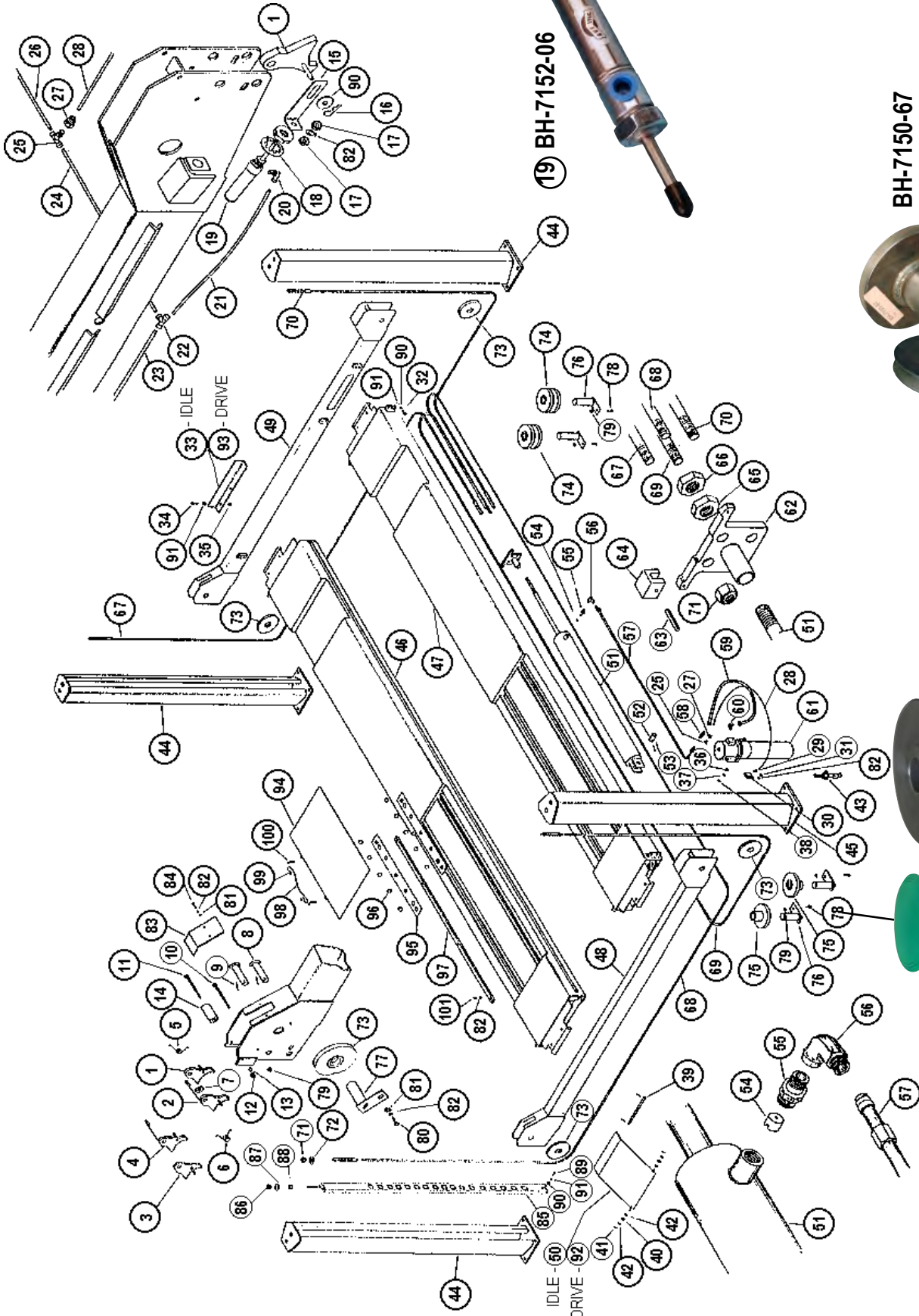
**Note: Verification of Cable Ends is Necessary**

\* Custom Order By Request. Sample may be needed.



For Model 12000A

**DIRECTFIT™**  
SVI's DIRECT FIT™ BRAND



**BH-7150-67**  
(OEM 12-1213A)  
Single Sheave for  
Track Assembly



**BH-7150-63**  
(Ref 12-1212A)  
Dual Sheave



26  
e  
o  
a  
D



For Model 12000A

**DIRECTFIT™**  
SVI's DIRECT FIT™ BRAND

Item	SVI #	Ref. OEM #	Description
1	BH-7151-59	12-4123A	Safety Dog Assembly
2	BH-7152-20	12-4122A	Safety Dog Assembly w/Sensor
3	BH-7154-56	12-4124A	Safety Dog Assembly
4	BH-7152-21	12-4121A	Safety Dog Assembly w/Sensor
5	BH-7154-57	B121119-02	LH Torsion Spring
6	BH-7154-58	B121119-01	RH Torsion Spring
7	F-FW-0750-SAE	A00003-12	Plain Washer 3/4"
8	BH-7154-59	12-4110A	Safety Dog Mounting Pin Assembly
9	BH-7154-60	A00030-14	Cotter Pin 3/16 x 1-3/4
10	F-HC-0250-20-4000	A00004-32	Hex Bolt 1/4-20 x 4
11	BH-7154-62	A00006-36	Hex Capscrew 3/8-16x4-1/2
12	BH-7154-63	A00007-06	Security Locknut 3/8-16
13	F-LW-0375	A00002-06	Split Washer 3/8
14	BH-7154-64	12-4129	Guide Roller
15	BH-7154-65	12-1196	Safety Release Bracket
16	BH-7154-66	X00089	Hair Pin Cotter 1/2"
17	BH-7151-15	A00098-04	Hex Jam Nut 1/4-28
18	BH-7151-26	X00097-10	Internal Tooth Lockwasher 5/8
19	<b>BH-7152-06</b>	<b>A00095</b>	<b>Air Cylinder</b>
20	BH-7152-25	A00082-09	Elbow 5/32 to 1/8 NPT
21	See Air Line Book	A00084-04	Pneumatic Tubing 5/32 x 13-3/8
22	BH-7151-55	A00082-08	Tee 5/32 x 5/32 x 5/32
23	See Air Line Book	A00084-05	Pneumatic Tubing 5/32 x 94-3/4
24	See Air Line Book	A00084-02	Pneumatic Tubing 5/32 x 10
25	BH-7154-70	A00082-07	Branch Tee 5/32 x 5/32 x 1/4
26	See Air Line Book	A00084-06	Pneumatic Tubing 5/32 x 190-1/2
27	BH-7154-72	A00082-06	Bulkhead Fitting 1/4 x 1/4
28	See Air Line Book	A00094-01	Pneumatic Tubing 1/4 x 74-1/2
29	BH-7153-94	A00082-13	Male Connector 1/4 x 1/4
30	<b>BH-7157-59</b>	<b>X00096</b>	<b>Air Valve</b>
31	F-HN-0250-20	A00001-04	Hex Nut 1/4-20
32	F-HC-0500-13-1500	A00008-12	Hex Bolt 1/2-13 x 1-1/2
33	BH-7152-22	12-1139	Wheel Stop
34	F-HC-0500-13-1750	A00008-14	Hex Bolt 1/2-13 x 1-3/4
35	F-HN-0500-13	A00001-08	Hex Nut 1/2-13
36	F-HN-0312-18	A00001-05	Hex Nut 5/16-18
37	F-LW-0312	A00002-05	Split Lockwasher 5/16
38	F-FW-0312-SAE	A00003-05	Plain Washer 5/16
39	BH-7154-79	12-1109	Ramp Pin
40	BH-7150-66	12-1121	Ramp Roller
41	F-CP-093-1000	X00056-08	Cotter Pin 3/32 x 1
42	F-FW-0375-SAE	A00003-06	Plain Washer 3/8"
43	BH-7154-81	X00133	Anchor 5/8 x 4-3/4
44*	BH-7154-22	12-2003A	Column Weldment - Idle
45*	BH-7154-23	12-2004A	Column Weldment - Drive
46*	BH-7154-93	12-3026A	Track Weldment Idle
47*	BH-7154-94	12-3025A	Track Weldment Drive
48*	BH-7154-95	12-4015A	Crosstube Weldment - Drive
49*	BH-7154-96	12-4016A	Crosstube Weldment
50*	BH-7154-89	12-1132A	LH Ramp Assembly
51	BH-7154-28	B123117	Hydraulic Cylinder

Item	SVI #	Ref. OEM #	Description
52	BH-7154-29	12-3113	Cylinder Mounting Pin
53	F-CP-187-2000	A00030-16	Cotter Pin 3/16 x 2
55	BH-7151-34	A93109-02	Hex Pipe Nipple 1/4 -1/4 NPT
56	BH-7153-37	A93108-05	Female Elbow 3/8 x 1/4
57	BH-7154-97	12-3171	Hydraulic Tube 3/8 x 82
58	BH-7154-33	A93108-11	Bulkhead Fitting 3/8
59	BH-7154-34	12-1118A	Hydraulic Hose Assembly 3/8
60	BH-7154-35	A93108-01	Male Elbow 3/8 x 3/8
61	BH-7154-36	B121115	Hydraulic Power Unit
62	BH-7154-37	12-3109A	End Plate Assembly
63	F-RP-250-1750	A00023-28	Roll Pin 1/4 x 1-3/4
64	BH-7154-38	12-3141	Cylinder Rd End Guide
65	F-HN-1125-07	A00001-18	Hex Nut 1-1/8-7
66	F-JN-1125-07	A00060-18	Hex Jam Nut 1-1/8-7
67	BH-7154-98	B121101-13	Cable 7/16 x 212-3/8"
68	BH-7154-99	B121101-14	Cable 7/16 x 420-5/8"
69	BH-7155-00	B121101-15	Cable 7/16 x 357-1/4"
70	BH-7155-01	B121101-16	Cable 7/16 x 149"
71	BH-7154-45	A00007-14	Security Locknut 7/8-9
72	F-FW-0875-USS	A00003-14	Plain Washer 7/8
73	<b>BH-7151-31</b>	<b>12-1104A</b>	<b>Crosstube Sheave Assembly</b>
74	BH-7150-63	12-1212A	Double Sheave Assembly
75	BH-7150-67	12-1213A	Single Sheave Assembly
76	BH-7150-64	12-3122A	Sheave Axle Assembly
77	BH-7151-30	12-1111A	Sheave Axle Assembly - Crosstube
78	BH-7154-48	X00061-08	Socket Capscrew 1/4-20 x 1
79	BH-7153-70	A00007-04	Security Locknut 1/4-20
80	F-HC-0250-20-1000	A00004-08	Hex Bolt 1/4-20 x 1
81	F-FW-0250-SAE	A00003-04	Plain Washer 1/4
82	F-LW-0250	A00002-04	Split Lockwasher 1/4
83	BH-7154-49	12-1128	Sheave Cover
84	F-HC-0250-20-0500	A00004-04	Hex Bolt 1/4-20 x 1/2
85	BH-7154-50	12-2116A	Safety Channel Assembly
86	F-HN-1000-08	A00001-16	Hex Nut 1-8
87	F-FW-1000-USS	A00003-16	Plain Washer 1"
88	F-JN-1000-08	A00060-16	Hex Jam Nut 1-8
89	F-HC-0500-13-1250	A00008-10	Hex Bolt 1/2-13 x 1-1/4
90	BH-7150-80	A00003-08	Plain Washer 1/2
91	F-LW-0500	A00002-08	Split Lockwasher 1/2
92	BH-7152-29	12-1133A	RH Ramp Assembly
93	BH-7152-23	12-1140	Wheel Stop
94	BH-7155-02	12-1172A	Slip Plate Assembly
95	BH-7155-03	12-1177	Bearing Spacer
96	BA-1200-04	B121178	1" Steel Ball
97	BH-7155-05	12-1176	Roller Plate
98	BH-7155-06	A00019-030	Cable 3/32 x 30"
99	BH-7155-07	A00021-06	Cable Clamp 3/32
100	BH-7155-08	12-1179	Lock Pin
101	F-HC-0250-20-0875	A00004-07	Hex Bolt 1/4-20 x 7/8

**Not Pictured:**

BH-7152-10 12-1215K2 **Cable & Sheave KIT for 12000A**

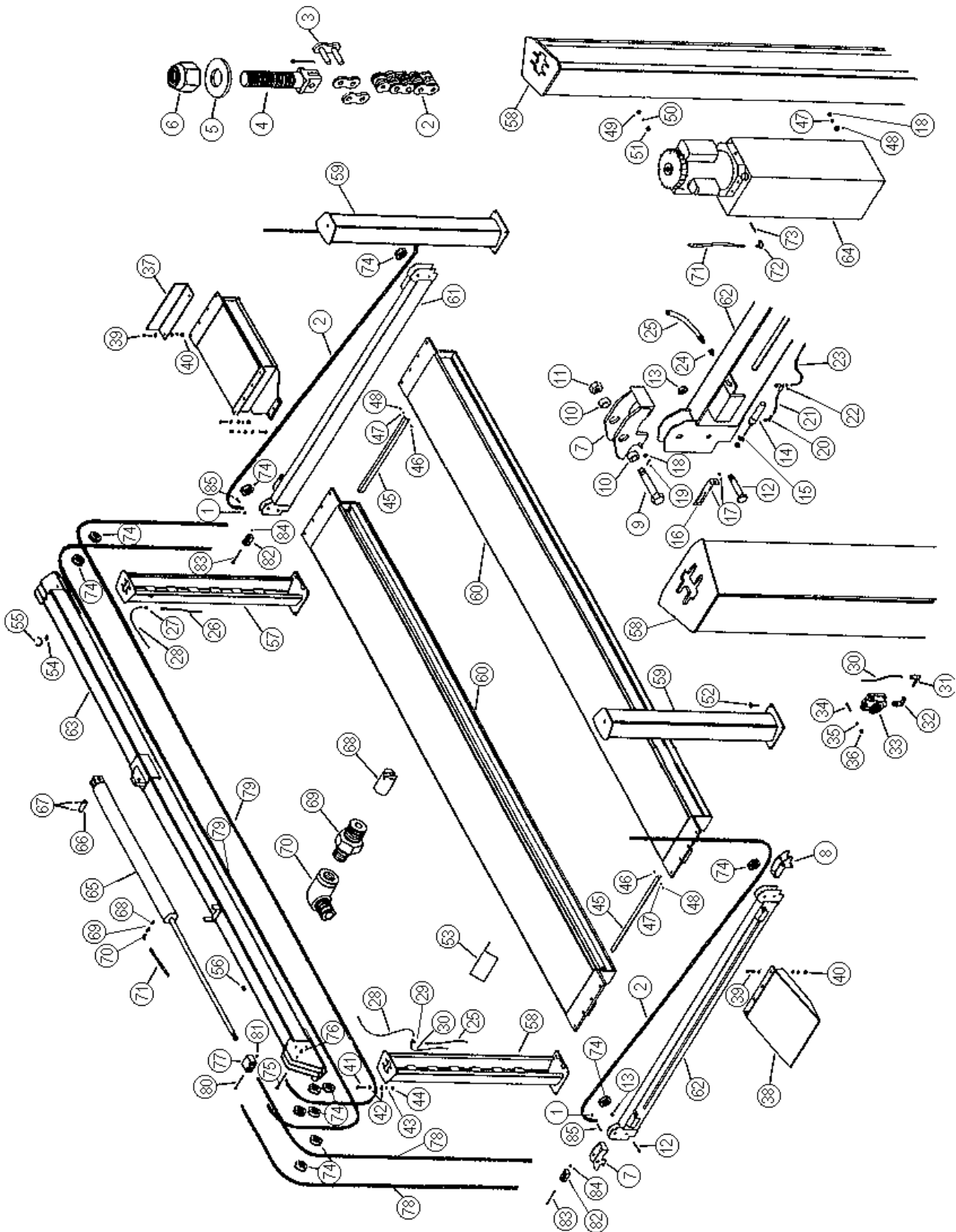
**Note: Verification of Cable Ends is Necessary**

\* Custom Order By Request. Sample may be needed.



For Models 25000, 25000WR

**DIRECTFIT™**  
SVI's DIRECT FIT™ BRAND





# For Models 25000, 25000WR

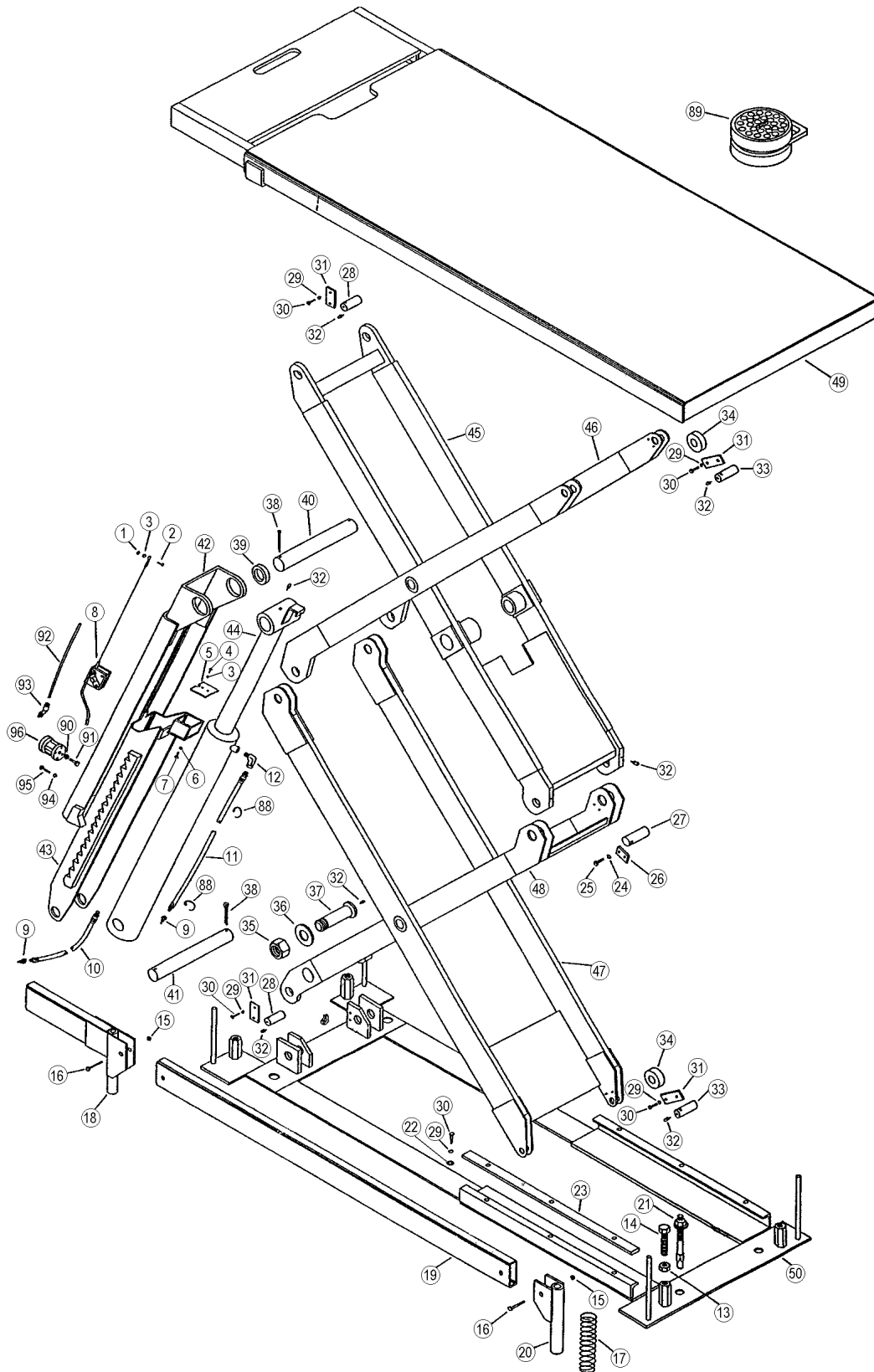
**DIRECTFIT™**  
SVI's DIRECT FIT™ BRAND

Item	SVI #	Ref. OEM #	Description
1	F-NL-0312-18	A00007-05	Nylock Locknut 5/16-18
2	BH-7155-37	B251101-03	Lift Chain 201"
3	BH-7155-38	X251108	Connecting Link Assembly
4	BH-7155-39	25-1106	Chain Dead End
5	F-FW-1125-USS	A00003-18	Plain Washer 1-1/8
6	BH-7155-41	A00107-18	Security Locknut 1-1/8-12
7	BH-7155-42	25-4107A-01	RH Safety Dog Assembly
8	BH-7155-43	25-4107A-02	LH Safety Dog Assembly
9	F-HC-1000-14-5500	A00104-44	Hex Bolt 1-14 x 5-1/2
10	BH-7155-45	25-4109	Safety Block Spacer
11	BH-7155-46	A00105-16	Security Locknut Thin 1-14
12	F-HC-0750-10-4500	A00013-36	Hex Bolt 3/4-10 x 4-1/2
13	F-LN-0750-10	A00007-12	Nylock Locknut 3/4-10
14	BH-7151-53	A00103	Air Cylinder
15	BH-7151-26	X00097-10	Lockwasher 5/8
16	BH-7155-48	25-1102	Safety Dog Release Bracket
17	BH-7151-15	A00098-04	Hex Jam Nut 1/4-28
18	F-FW-0375-SAE	A00003-06	Plain Washer 3/8
19	BH-7154-06	X00089	Hair Cotter Pin 1/2"
20	BH-7152-25	A00082-09	Elbow 5/32 to 1/8 NPT
21	See Air Line Book	A00084-15	Pneumatic Tubing 5/32 x 6"
22	BH-7153-97	A00082-15	Male Running Tee
23	See Air Line Book	A00084-16	Pneumatic Tubing 5/32 x 109"
24	BH-7153-86	A00081-08	Pipe Swivel Adapter 1/8 NPT
25	BH-7155-51	25-1120A	Air Hose Assembly
26	BH-7155-52	25-1119A	Air Hose Assembly
27	BH-7154-01	A00082-03	Male Air Hose Fitting 5/32x1/8
28	See Air Line Book	A00084-17	Pneumatic Tubing 5/32 x 276"
29	BH-7155-54	A00082-17	Branch Tee 5/32 Hose x 1/8
30	See Air Line Book	A00084-18	Pneumatic Tubing 5/32 x 36"
31	BH-7153-99	A00082-14	Plug In Elbow 5/32 to 5/32
32	BH-7155-56	A00082-11	Male Air Hose Elbow 5/32 - 1/4
33	BH-7151-28	X00096	Air Valve
34	BH-7153-98	A00004-08	Hex Bolt 1/4-20 x 1
35	F-LW-0250	A00002-04	Split Lockwasher 1/4
36	F-HN-0250-20	A00001-04	Hex Nut 1/4-20
37	BH-7155-57	25-1109	Front Wheel Stop
38	BH-7155-58	25-1111A	Ramp Weldment
39	F-HC-0750-10-2500	A00012-20	Hex Bolt 3/4-10 x 2-1/2
40	F-HN-0750-10	A00001-12	Hex Nut 3/4-10
41	F-HC-0500-13-2250	A00008-18	Hex Bolt 1/2-13 x 2-1/4
42	BH-7150-80	A00003-08	Plain Washer 1/2
43	F-LW-0500	A00002-08	Split Lockwasher 1/2
44	F-HN-0500-13	A00001-08	Hex Nut 1/2-13

Item	SVI #	Ref. OEM #	Description
45	BH-7155-11	25-1126	Track Spacer 25000WR
46	F-HC-0375-16-1000	A00006-08	Hex Bolt 3/8-16 x 1 25000WR
47	F-LW-0375	A00002-06	Split Washer 3/8
48	F-HN-0375-16	A00001-06	Hex Nut 3/8-16
49	F-FW-0312-SAE	A00003-05	Plain Washer 5/16
50	F-LW-0312	A00002-05	Split Lockwasher 5/16
51	F-HN-0312-18	A00001-05	Hex Nut 5/16-18
52	BH-7075-03L	X00015	3/4 X 5-1/2 Wedge Anchor
53	BH-7155-62	25-1110	Rear Wheel Chock
54	BH-7155-63	X00123	Hose Tie Mounting Clip
55	BH-7153-90	X00025	Wire Tie 5-1/2
56	BH-7155-64	X00129	Hydraulic Hose Support Pad
57	BH-7155-12	25-2004A	Front Drive Column Assembly
58	BH-7155-13	25-2002A	Rear Pump Mounting Column
59	BH-7155-14	25-2003A	Idle Side Column
60	BH-7155-15	25-3001A	Track Weldment 25000
60	BH-7155-10	25-3002A	Track Weldment with Jacking Rail 25000WT
61	BH-7155-16	25-4004A	Front Crosstube Weldment
62	BH-7155-17	25-4003A	Rear Crosstube Weldment
63	BH-7155-18	25-5002A	Cylinder Tube Weldment
64	BH-7155-19	B251115	Hydraulic Unit 4 HP 8 Gal.
65	BH-7155-20	B255101	Hydraulic Cylinder
66	BH-7155-21	25-5109	Hydraulic Cylinder Mounting Pin
67	F-CP-187-2000	A00030-16	Cotter Pin 3/16 x 2
69	BH-7151-34	A93109-02	Hex Pipe Nipple 1/4 - 3/8
70	BH-7153-37	A93108-05	Female Elbow 3/8 x 1/4
71	BH-7155-22	25-1116A	Hydraulic Hose Assembly
72	BH-7155-23	A93108-04	Female Elbow 3/8 NPT
73	BH-7155-24	A93109-05	Nipple 3/8 NPT x 2-1/2
74	BH-7155-25	25-1125A	Chain Sheave Assembly
75	BH-7155-26	A00013-56	Hex Bolt 3/4-10 x 7
76	F-LN-0750-10	A00007-12	Nylock Locknut 3/4-10
77	BH-7155-27	25-1103	Chain Dead End
78	BH-7155-28	B251101-01	Lifting Chain 91"
79	BH-7155-29	B251101-02	Lifting Chain 325"
80	BH-7155-30	A00108-46	Capscrew 3/8-24 x 5-3/4
81	BH-7155-31	A00107-06	Security Locknut 3/8-24
82	BH-7155-32	25-1104	Chain Dead End
83	BH-7155-33	A00108-40	Capscrew 3/8-24 x 5
84	BH-7155-34	A00105-06	Security Locknut 3/8-24
85	BH-7155-35	A00106-16	Shoulder Screw 3/4 x 2

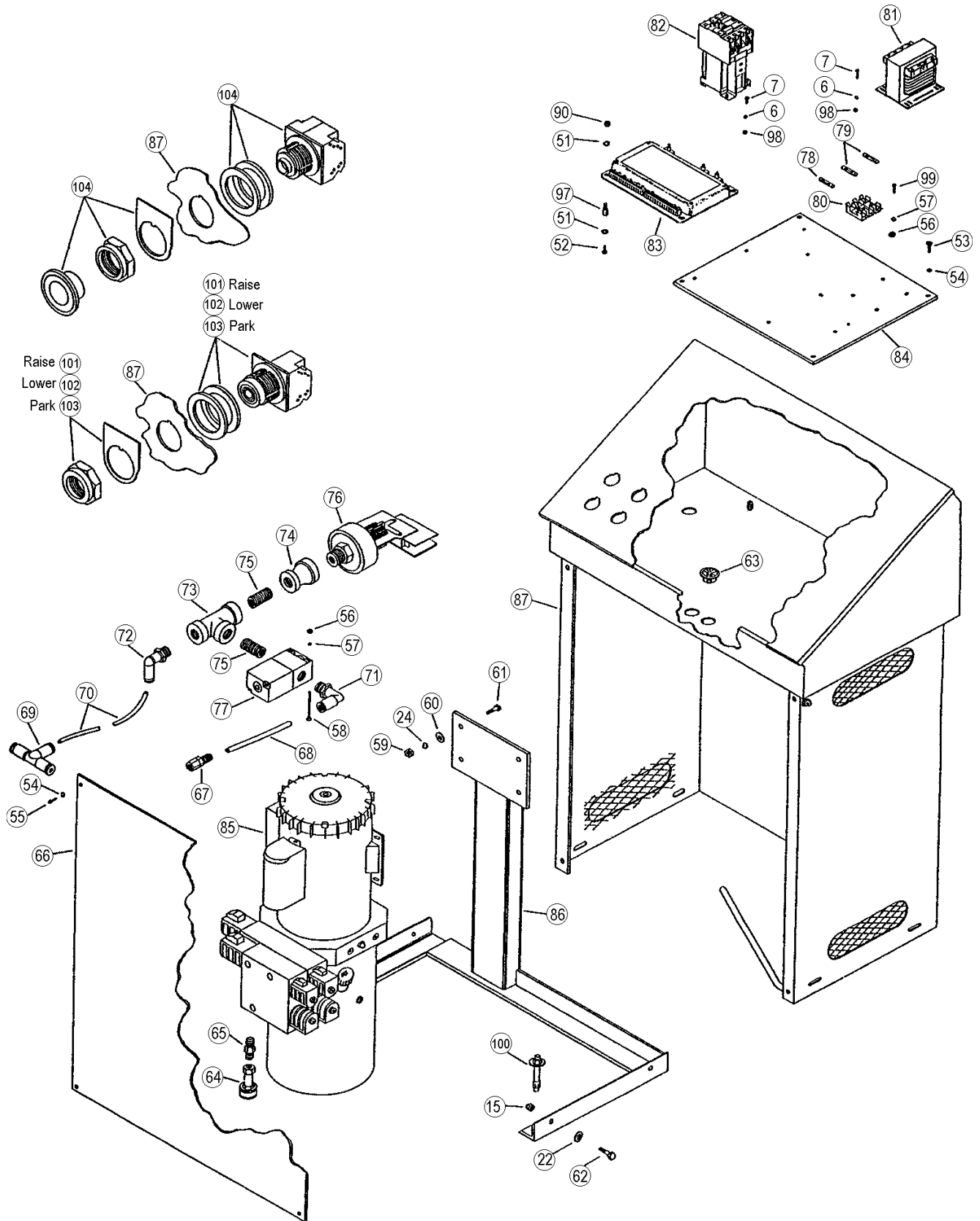
# For Model Epoch 6000

**DIRECTFIT™**  
SVI's DIRECT FIT™ BRAND



# For Model Epoch 6000

**DIRECTFIT™**  
SVI's DIRECT FIT™ BRAND





# For Model Epoch 6000

**DIRECTFIT™**  
SVI's DIRECT FIT™ BRAND

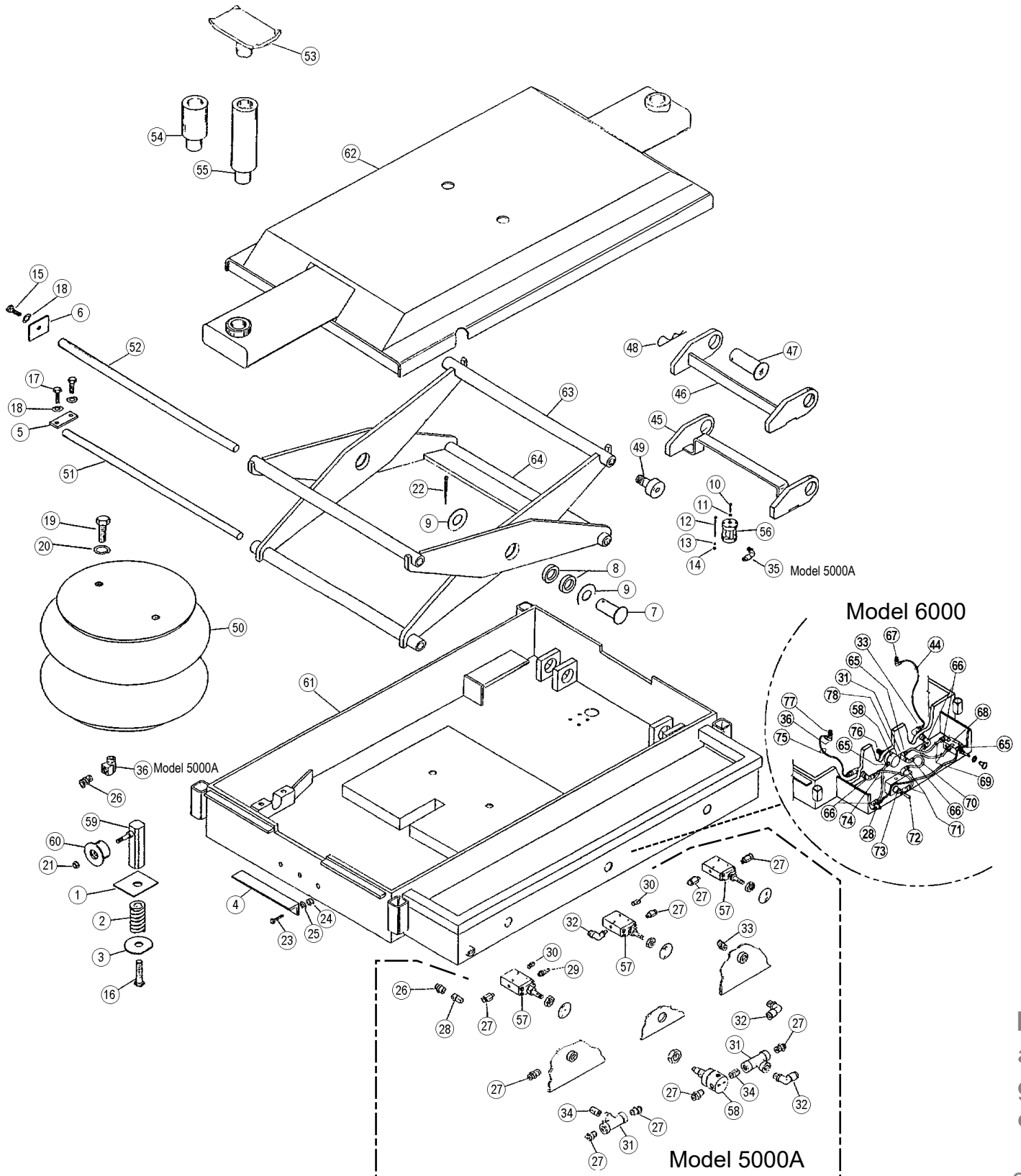
Item	SVI #	Ref. OEM #	Description
1	BH-7156-07	A00144-04	Hex Nut
2	F-MS-0004-40-0500	A00150-04	Machine Screw 4-40 x 1/2
3	F-LW-0004	A00158-04	Split Lockwasher
4	F-MS-0004-40-0500	A00150-02	Machine Screw 4-40 x 1/2
5	BH-7156-03	E061193	Potentiometer Meter Plate
6	F-LW-0375	A00158-08	Split Lockwasher
7	F-MS-0008-32-0375	A00149-06	Machine Screw 8-32 x 3/8
8	BH-7156-00	E061186	Linear Potentiometer
9	BH-7155-99	A93109-09	Quick Disconnect Coupler
10	BH-7155-98	E061183-01	Hydraulic Hose Assembly 13' 5-7/8
11	BH-7155-97	E061183-02	Hydraulic Hose Assy 15' 11-7/8
12	BH-7155-96	A00081-11	Street Elbow 1/4"
13	F-JN-0750-10	A00060-12	Hex Jam Nut 3/4-10
14	F-HC-0750-10-4000	A00012-48	Hex Bolt 3/4-10 x 4
15	BH-7153-70	A00007-07	Security Locknut 1/4-20
16	F-HC-0250-20-1750	A00004-14	Hex Bolt 1/4-20 x 1-3/4
17	BH-7155-92	E061165	Toe Guard Spring
18	BH-7155-91	E061265A	Toe Guard Extension
19	BH-7155-90	E061157A	Toe Guard Assembly
20	BH-7155-89	E061159A	Toe Guard Mounting Assembly
21	BH-7075-03L	X00015	3/4 x 5-1/2 Wedge Anchor
22	F-FW-0250-SAE	A00003-04	Plain Washer 1/4
23	BH-7155-88	E061156	Guide Strip
24	F-LW-0312	A00002-05	Split Lockwasher 5/16
25	F-HC-0312-18-0750	A00005-06	Hex Bolt 5/16-18 x 3/4
26	BH-7155-86	E061164	Keeper Key
27	BH-7155-85	E061163	Hinge Pin
28	BH-7155-84	E061154	Hinge Pin
29	F-LW-0250	A00002-04	Split Lockwasher 1/4
30	F-HC-0250-20-0500	A00004-04	Hex Bolt 1/4-20 x 1/2
31	BH-7155-83	E061155	Keeper Plate
32	BH-7155-82	X00138	Self Tapping Zerk Fitting
33	BH-7155-81	E061153	Roller Axle
34	BH-7155-80	E061152	Hinge Roller
35	BH-7155-79	A00073-12	Security Locknut 1-1/4-7
36	F-FW-1250-USS	A00003-20	1-1/4 Plain Washer
37	BH-7155-77	E061169	Center Pin
38	F-CP-187-2000	A00030-16	Cotter Pin 3/16 x 2
39	BH-7155-76	E061150	Spacer
40	BH-7155-75	E061151-02	Upper Cylinder Pin
41	BH-7155-74	E061151-01	Lower Cylinder Pin
42	BH-7155-73	E061146A	Safety Dog Assembly
43	BH-7155-72	E061142A	Safety Bracket Assembly
44	BH-7155-71	E061195A	Cylinder Assembly
45	BH-7155-70	E061014A	Outside Upper Hinge Assembly
46	BH-7155-69	E064013A	Outside Lower Hinge Assembly
47	BH-7155-68	E064012A	Inside Upper Hinge Assembly
48	BH-7155-67	E064011A	Inside Lower Hinge Assembly
49	BH-7155-66	E063007A	Top Frame w/Extension
50	BH-7155-65	E062004A	Base Weldment
51	BH-7156-45	X00145-10	External Tooth Lockwasher
52	BH-7156-44	A00086-06	Machine Screw 10-32 x 3/8

Item	SVI #	Ref. OEM #	Description
53	BH-7156-43	A00151-08	Machine Screw 10-24 x 1/2
54	F-LW-0375	A00143-10	Split Lockwasher
55	BH-7156-41	A00151-06	Machine Screw 10-24 x 3/8
56	F-HN-0006-32	A00144-06	Hex Nut 6-32
57	F-LW-0006	A00158-06	Split Lockwasher
58	BH-7156-38	X00172-18	Machine Screw 6-32 x 1-1/8
59	F-HN-0312-18	A00001-05	Hex Nut 5/16-18
60	F-FW-0312-SAE	A00003-05	5/16 Plain Washer
61	BH-7156-37	A00005-07	Hex Bolt 5/16-18 x 7/8
62	F-HC-0250-20-0875	A00004-07	Hex Bolt 1/4-20 x 7/8
63	BH-7156-36	X00168	Grommet
64	BH-7156-35	A93109-08	Quick Disconnect Coupler
65	BH-7156-34	A93109-10	Hex Pipe Nipple 1/4x1/4 MNPT
66	BH-7156-33	E061210	Front Cover
67	BH-7154-72	A00082-06	Bulkhead Fitting 1/4 x 1/4 NPT
68	See Air Line Book	A00094-03	Pneumatic Tubing 1/4 x 51
69	BH-7151-55	A00082-08	Tee 5/32 x 5/32 x 5/32
70	See Air Line Book	A00084-22	Pneumatic Tubing 5/32 x 180
71	BH-7156-31	A00082-12	Male Elbow 1/4 x 1/8 NPT
72	BH-7152-25	A00082-09	Elbow 5/32 to 1/8 NPT
73	BH-7156-30	A00081-06	Female Tee 1/8 NPT
74	BH-7156-29	A00081-13	Bell Reducer 1/4 x 1/8
75	BH-7156-28	A00081-03	Close Nipple 1/8 NPT
76	BH-7156-27	E061174	Pressure Switch
77	BH-7156-26	E061240	Air Valve
78	BH-7156-25	E061250	10 AMP Fuse
79	BH-7156-24	E061249	1/2 AMP Fuse
80	BH-7156-23	E061248	Fuse Block
81	BH-7156-22	E061247	Transformer
82	BH-7156-21	E061242	Contact
83	BH-7156-20	E061234	Computer
84	BH-7156-19	E061251	Control Panel Plate
85	BH-7156-18	E061235	2 HP Pump
86	BH-7156-17	E061185A	Pedestal Weldment
87	BH-7156-16	E061239A	Box & Pedestal Weldment
88	BH-7153-90	X00025	Wire Tie
89	BH-7156-15	E061225A	Lift Pad Assembly
90	F-JN-0010-32	A00085-10	Hex Jam Nut 10-32
91	F-MS-0010-32-0500	A00176-08	Machine Screw 10-32 x 1/2
92	See Air Line Book	A00084-19	Pneumatic Tubing 5/32 x 144
93	BH-7156-11	A00082-04	Tube Elbow 5/32 x 10/32 NPT
94	BH-7156-10	X00141	High Collar Lockwasher
95	F-HC-0006-32-0750	A00152-06	Cap Screw 6-32 x 3/4
96	BH-7156-08	E061172	Air Cylinder
97	BH-7156-46	X00192	Female Stand-Off 10-32
98	F-HN-0008-32	X00144-08	Hex Nut 8-32
99	F-MS-0006-32-0500	X00172-08	Machine Screw 6-32 x 1/2
100	BH-7074-51	X00133	5/8 x 4-3/4 Wedge Anchor
101	BH-7156-49	E061245	Raise Push Button
102	BH-7156-50	E061244	Lower Push Button
103	BH-7156-51	E061243	Park Push Button
104	BH-7156-52	E061246	Push/Pull Switch



# For Rolling Lift Bridge 5000A and 6000

**DIRECTFIT™**  
SVI's DIRECT FIT™ BRAND





# For Rolling Lift Bridge 5000A and 6000

**DIRECTFIT™**  
SVI's DIRECT FIT™ BRAND

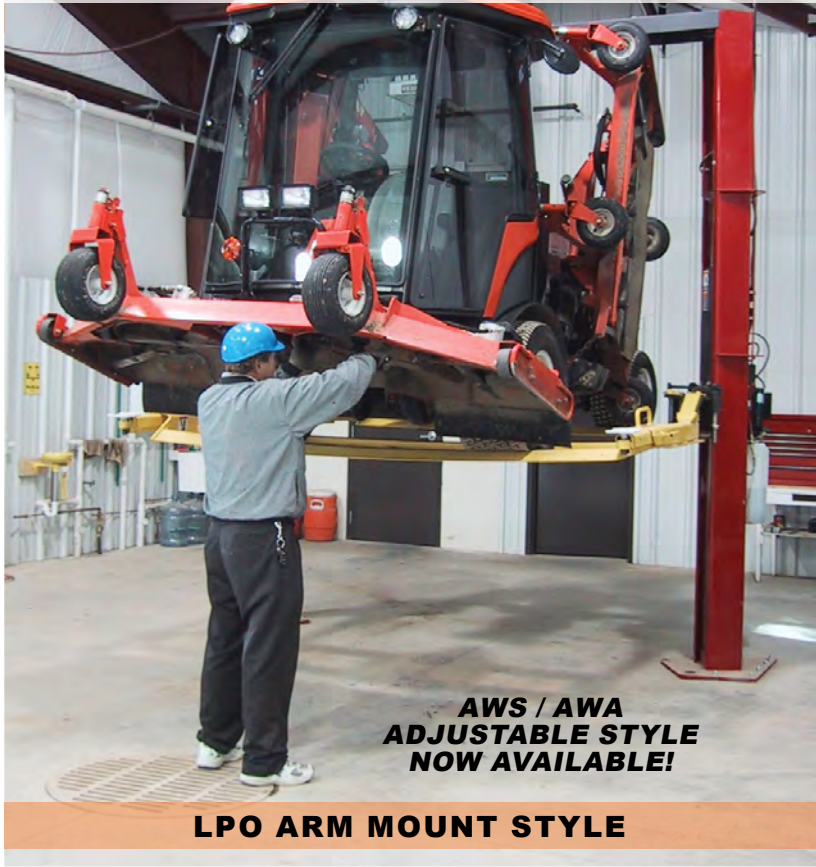
Item	SVI #	Ref. OEM #	Description
1	BH-7150-78	12-5133	Spring Washer
2	BH-7150-79	X25177	Compression Spring
3	BH-7150-80	A00003-08	1/2" Plain Washer
4	BH-7156-81	12-5104	Anti Kick Up Bracket
5	BH-7156-82	12-5169	Scissor Lock Plate
6	BH-7156-83	12-5168	Rod Lock Plate
7	BH-7156-84	12-5136A	Scissor Pin Weldment
8	BH-7156-85	12-5132	Bushing
9	F-FW-1000-USS	A00003-16	1" Plain Washer
10	F-MS-0010-32-0250	X00086-08	Machine Screw 10-32 x 1/4
11	F-JN-0010-32	A00085-10	Hex Jam Nut 10-32
12	F-HC-0006-32-0750	A00152-06	Cap Screw 6-32 x 3/4
13	F-LW-0006	A00158-06	Split Lockwasher
14	F-HN-0006-32	A00144-06	Hex Nut 6-32
15	F-HC-0250-20-0500	A00004-04	Hex Bolt 1/4-20 x 1/2
16	F-HC-0500-13-2250	A00008-18	Hex Bolt 1/2-13 x 2-1/4
17	F-HC-0250-20-0875	A00004-07	Hex Bolt 1/4-20 x 7/8
18	F-LW-0250	A00002-04	1/4" Split Lockwasher
19	F-HC-0375-16-0875	A00006-07	Hex Bolt 3/8-16 x 7/8
20	F-LW-0375	A00002-06	3/8" Split Lockwasher
21	BH-7156-88	A00073-05	Thin Security Locknut 5/16-18
22	F-CP-187-1750	X00030-14	Cotter Pin 3/16 x 1-3/4
23	F-HC-0312-18-1000	A00005-08	Hex Bolt 5/16-18 x 1
24	F-HN-0312-18	A00001-05	Hex Nut 5/16-18
25	F-LW-0312	A00002-05	5/16" Split Lockwasher
26	BH-7156-90	A00082-05	Tube Fitting 5/16 x 1/4 NPT
27	BH-7156-91	A00082-01	Tube Fitting 5/16 x 1/8 NPT
28	BH-7156-92	A00081-09	Pipe Plug 1/4 NPT
29	BH-7156-93	X125173	Muffler 1/8" NPT
30	BH-7156-94	A00081-04	Pipe Plug 1/8 NPT
31	BH-7156-30	A00081-06	Female Tee 1/8 NPT
32	BH-7156-61	A00082-02	Male Elbow 5/16 x 1/8
33	BH-7154-01	A00082-03	Male Air Hose Fitting 5/32 x 1/8 MNPT
34	BH-7156-28	A00081-03	Close Nipple 1/8" NPT
35	BH-7156-11	A00082-04	Tube Elbow 5/32 Tube x 10/32 NPT
36	BH-7156-62	A00081-05	Street Elbow 1/4 NPT
37	See Air Line Book	A00083-01	Pneumatic Tubing 5/16 x 13
38	See Air Line Book	A00083-02	Pneumatic Tubing 5/16 x 16
39	See Air Line Book	A00083-03	Pneumatic Tubing 5/16 x 23-1/4

Item	SVI #	Ref. OEM #	Description
40	See Air Line Book	A00083-04	Pneumatic Tubing 5/16 x 23-1/4
41	See Air Line Book	A00083-05	Pneumatic Tubing 5/16 x 12-1/2
42	See Air Line Book	A00083-06	Pneumatic Tubing 5/16 x 17
43	See Air Line Book	A00083-07	Pneumatic Tubing 5/16 x 27-1/2
44	See Air Line Book	A00084-01	Pneumatic Tubing 5/32 x 17
45	BH-7156-67	12-5157A	Safety Dog Assembly
46	BH-7156-68	12-5163A	Safety Dog Assembly
47	BH-7156-69	12-5181A	Safety Dog Mounting Pin Assembly
48	BH-7156-70	X00090	Hair Pin Cotter 1-5/8
49	BH-7156-71	X125176	Cam Follower Bearing
50	BH-7156-72	X125178	Air Spring / Air Bag
51	BH-7156-73	12-5166	Lower Scissor Rod
52	BH-7156-74	12-5167	Upper Scissor Rod
53	BH-7156-75	12-5146A	Lift Pad Assembly
54	BH-7156-76	12-5145-02	Nesting Extension 3" x 4-5/8"
55	BH-7156-77	12-5145-03	Nesting Extension 6" x 7-5/8"
56	BH-7156-78	X125179	Air Cylinder
57	BH-7156-79	X125171	1/8 NPT 3-Way Valve
58	BH-7156-80	X125172	110 PSI Regulator
59	BH-7150-60	12-5123A	Axle Lock Assembly
60	BH-7150-60A	12-5131	2" Wheel
61	BH-7156-63	12-5101A	Lower Frame Weldment
62	BH-7156-64	12-5102A	Upper Housing & Arm Assembly
63	BH-7156-65	12-5152A	Inner Scissor Assembly
64	BH-7156-66	12-5153A	Outer Scissor Assembly
65	BH-7153-96	A00082-10	Male Connector 1/4 to 1/8 NPT
66	BH-7156-31	A00082-12	Male Elbow 1/4 to 1/8 NPT
67	BH-7156-11	A00082-04	Tube Elbow 65/32 x 10/32
68	call for details	X125201	
69	call for details	A00094-13	
70	call for details	A00094-14	
71	call for details	A00082-25	
72	BH-7157-56	X125200	Valve for Rolling Jack
73	F-MS-0010-32-0500	A00176-08	Machine Screw 10-32 x 1/2
74	call for details	A00094-12	
75	call for details	A00094-05	
76	call for details	A00092-08	
77	BH-7153-94	A00082-13	Male Connector
78	BH-7156-28	A00081-03	Close Nipple

**YOUR CHOICE! 3 TURF TRAY STYLES, OPTIONS AND ACCESSORIES AVAILABLE**



**HSR ADAPTER HOLE MOUNT STYLE**



**AWS / AWA  
ADJUSTABLE STYLE  
NOW AVAILABLE!**

**LPO ARM MOUNT STYLE**

## **Turf Equipment / Utility Vehicle Attachments for Automotive Lifts**

- Golf Courses
- Park Districts
- Municipalities
- ATV Dealers
- Public Works
- Amusement Parks
- Vacation Resorts
- Agricultural Shops
- and so many more...

**No. 1—The First:** An SVI wholly-owned subsidiary was the very first ever to invent Turf Attachments for use on automotive lifts. On September 9, 1997 SVI's very own MLM Lifts and Manufacturing (formerly known as Manitowoc Lift) developed the very first production drawings for a Turf Equipment Lifting Accessory. This innovative product line has allowed thousands of lift owners to convert their automotive lifts into a multi-functional tool. This allows for both service of their cars and pickup trucks but also ease of repair access to all the turf and small maintenance equipment also found in and around their shop.

Turf Attachments are an ideal tool to incorporate into any shop that has a two-post automotive lift or in-ground side-by-side that also has the need for servicing all types of other equipment. Turf Attachments are ideal for park districts, golf courses, outdoor power equipment dealers, municipalities, ATV dealers and just about anywhere else that requires more versatility from their lifts.

SVI has emerged and remains the leading supplier in its field for turf / utility attachments. The nimble nature of SVI engineering and strong focus on customer service allows for a wide range of flexibility in producing attachments to fit virtually all makes and models of two post surface mount lifts encountered in the field. Put the SVI team to work for you today, attachments can be made for any two post lift including those with true asymmetric or triple stage swing arms. For a whole variety of turf / utility attachment solutions—SVI is your Answer!



**800-321-8173**

**BALTIMORE • CHICAGO • LOS ANGELES**



# SVI's Product Line is Vast

**CONTACT US TODAY IF THERE'S SOMETHING YOU CAN'T FIND**

800-321-8173 • 815-748-0200 • [www.sviinternational.com](http://www.sviinternational.com)



## Shims for 3/4" Wedge and Screw Anchors

*Color Coded Shims are In-Stock! Order Today!*

BH-7512-92	Assortment	150 Shims (50 each)
BH-7512-90	1/16" Blue	Pack of 50
BH-7512-91	1/8" Red	Pack of 50
BH-7512-89	1/4" Black	Pack of 50

## HEAVY DUTY PLASTIC SLOTTED SHIMS

Extra-thick shims make it easy to level and align 2- and 4-post surface mount lifts. These rugged plastic shims will not corrode, rot or rust. A must-have for every professional lift installer in the industry.



*Installation Kits Available*

## Installation Supplies

- Carbide Drill Bits
- Core Bits
- Epoxy and Adhesives
- Wedge Anchors
- Screw Anchors
- Rebar Cutters and Adapter
- Rod Seal Install Tools
- Safety & Inspection Stickers

*Many Sizes Available!*

*Available!*



**Simpson Carbide Drill Bits** *Many Options and Sizes Available!*

BH-7064Q-12-21 (Drilling Depth 16" / 3/4" dia.) SDS Max Quad Head Bit

BH-7065Q-12-23 (Drilling Depth 18" / 3/4" dia.) Spline Shank Quad Head Bit

BH-7065Q-12-16 (Drilling Depth 11" / 3/4" dia.) Spline Shank Quad Head Bit



## Wheel / Tire Hanger Kits

Increase Efficiency • For Any Budget



SF-92100  
Set of 2

BH-7545-70K-4 Kit of 4  
BH-7545-70K Individual  
*Includes Hardware*



**Wedge Anchors**  
Many Sizes Available!  
BH-7075-03  
3/4" x 5-1/2"

*Ask How to Get Free Shipping on Wedge Anchors!*



**Screw Anchors**  
Many Sizes Available!  
BH-7075-26  
1/2" x 4"  
BH-7075-37  
3/4" x 5"



**Rod Seal Install Tool Set**  
BH-7079-01  
Includes 3 Install Tools to Service 3/4" ID Seals up to 3" ID Seals



**Inspection Stickers**  
Roll of 250  
BH-7011-11

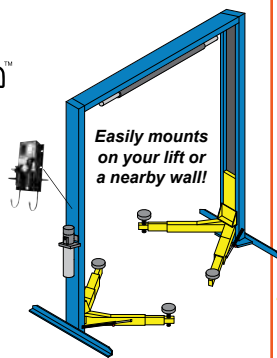
**ASK FOR OUR INSTALLATION SUPPLIES CATALOG**

## Air / Hydraulic Pumps for Rolling Bridge Jacks

*Options Available—Call Today!*



**POWER STATION™**  
**AIR / ELECTRIC UTILITY BOX**  
4 Colors Available



*Easily mounts on your lift or a nearby wall!*

## Vehicle Lifts and Lifting Equipment

*New Lifts for Cars, Trucks, Buses, Motorcycles, UTVs and More*  
Replacement Cylinders Sections & Kits • Turf Trays for 2-Post Lifts



# SVI's Product Line is Vast

**CONTACT US TODAY IF THERE'S SOMETHING YOU CAN'T FIND**

800-321-8173 • 815-748-0200 • [www.sviinternational.com](http://www.sviinternational.com)

**INCREASE EFFICIENCY • ELIMINATE COSTLY DAMAGE TO DOORS • REDUCE STRESS OF SHOP TECHNICIANS**

*doorjammer* **PRO**™  
Durable • Impact Resistant

A Must-Have for All 2-Post Lifts!

**Available in 2 Sizes!**

- BH-7077-02-2S** 12" tall x 18" wide
- BH-7077-02-2** 24" tall x 18" wide

**Prevents Door Dings!**  
Just one damaged door can cost  
**3 times as much** as a simple investment  
in one SVI doorjammerPRO™.



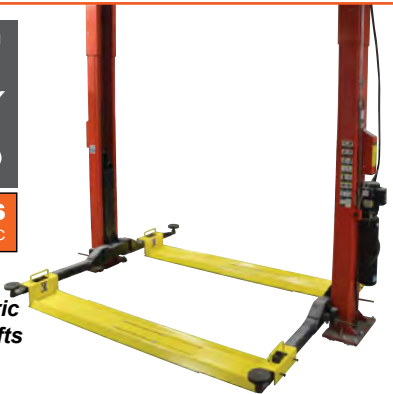
## Auto Lift Cables and Chain Sheaves / Pulleys / Chain Rollers



## TURF AND UTILITY TRAYS

**FOR 2-POST LIFTS**  
SYMMETRIC / ASYMMETRIC

**The #1 Choice for  
Symmetric or Asymmetric  
2-Post Surface Mount Lifts  
and In-Ground  
Side-By-Side, too!**



## Hose Reel Hose Stops

Options Available—Call Today!



## Auto Lift Power Units and Parts

Call SVI today!



## Tire Changer Parts and Accessories

For Most Makes and Models

See our [Tire Changer Repair Parts Catalog!](#)



## Brake Lathe Repair Parts

For Most Makes and Models

See our [Brake Lathe Repair Parts Catalog!](#)





# DIRECT FIT™ BRAND

## SVI International, Inc.

Catalogs and Information Online: [www.sviinternational.com](http://www.sviinternational.com)

**EASY TO ORDER:**  
**800-321-8173**  
**815-748-0200**  
 Fax: 800-899-1784 • 815-748-0210  
 E-Mail: [parts@sviintl.com](mailto:parts@sviintl.com)  
[www.sviinternational.com](http://www.sviinternational.com)

### AUTO LIFT REPAIR PARTS FOR ALL MAKES & MODELS

~NO MATTER THE AGE OF THE LIFT!

- Arm Restraint Kits & Parts
- Cables—Lifting and Equalizing
- Chain
- doorjammerPRO - Door Protection Pad
- Height Extensions and Rubber Pads
- Installation Products & Tools
- Power Units and Parts
- Pulleys and Chain Rollers
- Seal Kits for In-Ground & Surface Mount
- Safety Legs / Non-Rotators
- Replacement Lift Kits
- Power Post Lifting Systems
- Tanks for In-Ground Lifts
- Turf Attachments for 2-Post Lifts

### SURFACE MOUNT LIFT PARTS FOR:

Acanus	Gemini	Quality
Ammco®*	Gilbarco	Ranger
Alamo /	Globe	Ravaglioli
ASSSA	Grand	Rotary Lifts
ALM	Hofmann	Silent Tech
AMI	Hydralift	Slift
Ashawa	Ime Istobal	Somers Souriau
Ben Pearson	Kismet	Stenhoj
BendPak	Kimm	Stertil Koni
Benwil	Koni	Sun
Bishamon	Launch	Tecalemit
Boston	Laycock	Titan
Bradbury	Lincoln	Weaver
Cascos	Maha	Werther
Consul	Manitowoc Lifts	Western
Challenger	Mohawk	Westinghouse
Force	Nussbaum	Wheeltronic
Ford Smith	OMA	Worth
Forward	OMCN	Zippo
Fuchs/Zippo	PMW	

### IN-GROUND LIFT PARTS FOR:

Benwil	Gilbarco	PKS Lifts
Challenger	Globe	Rotary
Cochin	HDL/ISS Innovative	US Hoist
Curtis	Joyce	Weaver
Ford Smith	Manitowoc Lifts	Western

### AIR COMPRESSOR PARTS

- Air Receiver Tanks • Compressor Mufflers
- Automatic Tank Drain Valve for Champion Compressors
- Filters—Many OEM Ref Available!
- Filters, Regulators, Lubricators
- Intake Filter Products
- Milton Air System Products
- Re-Coil Hose • Valves
- Vibration Dampening Pads & much more!

### BRAKE LATHES REPAIR PARTS

- Brake Lathe Repair Parts and Accessories for **All Makes**

### EXHAUST REMOVAL SYSTEMS & PRODUCTS

### FLUID DELIVERY

- Lenz Fittings
- Steel Hydraulic Line Tubing and Fittings
- Strut and Hangers

### HOSE REELS BY REELCRAFT®

### HYDRAULIC CYLINDERS—

- Custom Single-Acting Large Bore Cylinders
- Also see “Lifting Equipment”

### LIFTING EQUIPMENT

- New In-Ground Lifts—Car, Truck & Bus
- Small Equipment Shop Maintenance (SESM) Lifts for lifting Landscape Equip. ATVs / UTVs, Motorcycles, Lawn Mowers, Golf Carts and More!
- Custom Lifting Equipment incl. Production Line Lifts, Rail Car Lifts and More
- Custom Hydraulic Cylinders for Various Applications
- Turf Attachments for 2-Post Lifts
- In-Ground Lift Sections and Kits
- And more!

### LUBRICATION & PAINT / FOAM SPRAY REPAIR PARTS & KITS FOR:

- Alemite • ARO • Balcrank • Graco • Lincoln

### PETROLEUM EQUIPMENT & REPAIR PARTS FOR:

- Gas Pump & Meter Kits and Parts for Gasboy • Tokheim • Fill-Rite
- Including Parts for Older Pumps: Wayne • Bennett • Gilbarco • Bowser A.O. Smith (Geosource) • Southwest

### SEAL KITS

### SHOP EQUIPMENT

- Hein-Werner Products • Omega Products
- Porto-Power • Pro-Lift

### TIRE EQUIPMENT REPAIR PARTS

- Tire Changer and Wheel Balancer Parts for **All Makes**

Accu-Turn	FMC	Nussbaum
All Tool	Giuliano	Ranger
Ammco®*	Hofmann	Sicam
BaseLine®*	Hunter	Sice
Bosch	John Bean /	Snap-On
Cemb	(JBC)	Teco
Coats®*	Kwik-Way	Tuxedo
Corghi	Launch	

### VALVES

- Air Compressor Valves of All Types
- Air and Hoist Control Valves
- Ball Valves • Check Valves
- Kingston Valves • Pressure Relief Valves
- Relief Valves • Safety Valves
- Solenoid Valves
- Tire Changer Valves • And More!

### CUSTOM PRODUCTS

And let us know if you want something you use in your shop to be added to our product line!

## DIRECT FIT™

In addition to SVI's DIRECT FIT™ BRAND, we are proud to be a one-stop shop for many other great products including:



3 Ready-Ship Warehouses for Faster Shipping! | **BALTIMORE • CHICAGO • LOS ANGELES**

**Main Office:** 155 Harvestore Drive • DeKalb, IL 60115

All names, numbers, symbols and descriptions are used for reference purposes only. It is not implied that any part listed is the product of these manufacturers.

SVI does not represent and is not associated in any way with any other companies. Entire contents copyright © 2021, SVI International, Inc. Prices subject to change without notice.

\*AMMCO, BASELINE, COATS and DUCKHEAD are registered trademarks of Hennessy Industries, Inc. SVI International, Inc. is not associated in any way with Hennessy Industries, Inc.

**TERMS AND CONDITIONS OF THE  
SALES ORDER  
FOR SVI INTERNATIONAL, INC.**

1. **GENERAL.** The terms and conditions of sales order outlined herein shall apply to the sale by SVI INTERNATIONAL, INC. (hereinafter referred to as "Company") of the items described on the facing page (hereinafter referred to as "Merchandise") to Purchaser.
2. **DELIVERY.** Delivery shall be deemed to be complete when the Merchandise has been shipped F.O.B. Company's plants in DeKalb, Illinois, Montclair, California; and Hanover, Maryland ("Company's plants"). Shipments are subject to delays from causes or contingencies beyond the reasonable control of the Company. When otherwise not specified, shipments will be made in standard containers via carrier which, in the judgment of the Company, will result in the most practical method. Title and right of possession will pass to the Purchaser upon receipt by the carrier at the shipping point. If a customer of the Company should specify a specific carrier's method of shipment (i.e. UPS Next Day Air) and that carrier does not perform to the customer's expectations, freight credit to a customer's account will not be issued unless the Company can first obtain a credit.
3. **RISK OF LOSS.** Identification of the Merchandise under Uniform Commercial Code (hereinafter referred to as "UCC") Section 2-501 shall take place at the moment of shipment F.O.B. Company's plants. Risk of loss shall pass to the Purchaser when the Merchandise is shipped from the Company's plants.
4. **TITLE.** Title to the merchandise shall transfer to the Purchaser when the Merchandise is shipped from the Company's plants.
5. **WARRANTIES.** The Company guarantees its products to be free from defects in workmanship and raw materials for a period of one year from date of purchase. THIS WARRANTY IS EXPRESSLY IN LIEU OF ANY AND ALL WARRANTIES EXPRESS OR IMPLIED. COMPANY DOES NOT WARRANT THE MERCHANDISE IS MERCHANTABLE OR FIT FOR ANY PARTICULAR PURPOSE. Company's liability for breach of the terms of this Agreement, including any warranty, is limited to either refund of the invoice price of the Merchandise or at Company's option, replacement of the Merchandise free of charge, including transportation charges but not including the cost of labor. Purchaser has not relied on any statement or upon the conduct of Company with respect to the prospective use of the merchandise. Company shall not be liable for and Purchaser waives any and all claims for any loss or damage, directly or indirectly, arising from the use of the Merchandise and for punitive, incidental or consequential damages, including, but not limited to, damages to property, for loss of use, loss of time, loss of profit or loss of income. The Company does not authorize the sale of our products under any other warranty, expressed or implied. **Please note:** Electrical components and cylinder or shaft seals are not covered under warranty.
6. **SETOFF.** All claims for money due or to become due from the Company shall be subject to deduction by the Company for any setoff or counterclaim arising out of this or any other claims of the Company or its affiliated companies, whether such setoff or counterclaim arose before or after any assignment by Purchaser.
7. **INDEMNIFICATION.** Purchaser agrees to indemnify the Company and hold it harmless from and against all claims, liability, loss, damage or expense, including reasonable counsel fees, arising from or by reason of any modifications or alterations made by Purchaser. If a customer of the Company modifies or alters any part, in any manner whatsoever, or uses any part in departure from recommended performance specifications, said customer agrees to indemnify and hold the Company harmless from and against all liability and expenses based on damage to property or injury to or death of any person arising out of or attributable to such modified or altered part. Further, the Company will not accept any such modified or altered part for credit to a customer's account.
8. **FREIGHT POLICY.** Freight charges are prepaid and added to invoice or collect FOB shipping point. Note: All customers are responsible for all carrier shipping costs, fees, surcharges, etc. including order refusal and return fees.
9. **RETURN POLICY.** To return a part for credit or inspection, Purchaser must first contact our Main Office in Illinois, to obtain a Return Merchandise Form. Once Purchaser has obtained this form, the parts can be returned freight prepaid only. The Return form must be included with the shipment. Parts returned to the Company without the approved form will be returned freight collect to the shipper or refused. Returns must be initiated within 30 days of the invoice date. The Return Forms are valid for 30 days, from the date of issue. All Returns are subject to restocking charges. Return parts brought into our remote warehouses, will not be accepted by our personnel, without a Return Merchandise Form from the Main Office. Parts which have been used in any way or manner, including any installation or incorporation into a lift, hoist, or other equipment, shall NOT be eligible for return whether or not a Return form has been assigned. **Please note:** Electrical parts or components are not returnable for credit. This includes all switches, pushbuttons, relays, electric motors, capacitors, fuses, solenoids, power units with wiring issues or any other electrical items. Custom, built to order, special order, and non-stocked genuine parts are non-returnable.
10. **RESTOCK CHARGE.** Returns are subject to a restocking charge. Refusals are subject to the same restocking charge plus the cost of outbound and return freight charges and/or fees incurred by the Company due to shipment refusal.
11. **PRICES AND PAYMENTS.** All prices are subject to change without notice. All prices are F.O.B. shipping point. The Company standard terms are net 30 days, C.O.D. company check, C.O.D. cash, VISA, MasterCard, Discover or American Express. However, if in the judgment of the Company, the financial condition of the Purchaser at any time does not justify shipment according to standard terms of payment, the Company may require full or partial payment in advance.
12. **INTERPRETATION.** This sales order is intended by the parties as a complete and exclusive statement of the terms of their agreement. It supersedes all prior agreements, written or oral. No course of prior dealings between the parties and no usage of the trade shall be relevant to supplement or explain any terms used in this sales order. Acceptance or acquiescence in a course of performance rendered under this purchase order shall not be relevant to determine the meaning of this sales order even though the accepting or acquiescing party has knowledge of the nature of the performance and opportunity for objection. Whenever a term defined by the UCC is used in this sales order the definition contained in the UCC shall control.
13. **MODIFICATION.** This sales order can be modified or rescinded only by a writing signed by both parties.
14. **WAIVER.** No claim or right arising out of a breach of this sales order can be discharged in whole or in part by a waiver or renunciation of the claim or right unless such waiver or renunciation is supported by consideration and is in writing signed by the aggrieved party.
15. **ASSIGNMENT.** No right or interest in this sales order shall be assigned by either party without the written consent of the other and no delegation of any obligation owed, or of the performance of any obligation by either the Company or Purchaser shall be made without the written consent of the other party. Any attempted assignment or delegation not made in conformity with this paragraph shall be wholly void and totally ineffective for all purposes.
16. **TIME TO PERFORM AND BRING ACTION.** Time is of the essence of this sales order. Any action for breach of this sales order shall be commenced within two (2) years after the cause of action has accrued. Any party who loses any litigation shall reimburse the other party for costs including reasonable attorney's fees. The exclusive jurisdiction for any legal action shall be the Circuit Court of DeKalb County, Illinois.
17. **APPLICABLE LAW.** This sales order shall be governed by the UCC of Illinois as effective and in force on the date of this sales order.



BALTIMORE • CHICAGO • LOS ANGELES



- Air Compressor Parts and Filters
- Auto Lift Parts for Any Brand
- Auto Lift Cables and Chain
- Auto Lift Power Units and Parts
- Auto Lift Sheaves / Pulleys and Chain Rollers
- Brake Lathe Repair Parts for All Makes
- Exhaust System Products
- Fluid Delivery Repair Parts
- Hose Reels and Hose Stops
- In-Ground Auto Lifts
- Lubrication Equipment Repair Parts
- Petroleum / Service Station Pump and Tank Products
- Repair Parts for Gasboy Consumer Series
- SESM Lifts for ATV/UTV, Golf Cart and More!
- Tire Changer Repair Parts
- Transfer Pumps
- Turf Attachments for 2-Post Lifts
- Vehicle Lifting Systems
- Wheel Balancer Accessories

## SVI International, Inc.

155 Harvestore Drive • DeKalb, IL 60115

**800-321-8173 • 815-748-0200**

Fax: 800-899-1784 • 815-748-0210

Entire contents copyright © 2021, SVI International, Inc.

Information and Catalogs Online:  
[www.sviinternational.com](http://www.sviinternational.com)