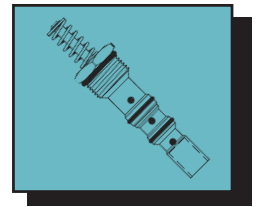




The Twin Post

Single Page Update for the S V I Line of
Automotive Service Equipment Repair Parts - February 1999



Available Individually

4 "Ready Ship" Warehouses

- Atlanta
- Baltimore
- Chicago
- Los Angeles

TODAY, TOMORROW AND FOREVER

The availability of individual lift repair parts is important to lift repair professionals everywhere. SVI understands these needs and will work on your behalf to see that the part you need remains available.

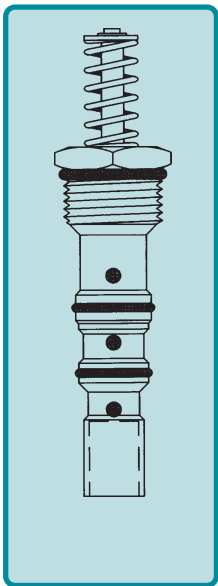
TODAY, we are identifying and stocking the lift repair parts you need individually. When you need a part to repair a Rotary Lift and do not want to purchase an entire kit - **SVI is your Answer!**

TOMORROW, we will still continue to make once obsoleted parts available again. There is no reason to condemn a lift just because one person or company tells you something is not available.

FOREVER, or at least as long as SVI is around you have a source for lift repair parts. Call us for all lift repair parts including the hard to find. Sometimes we may require a sample which means the part will then be forever available.

Insist on:

SVI Direct Fit Brand Products

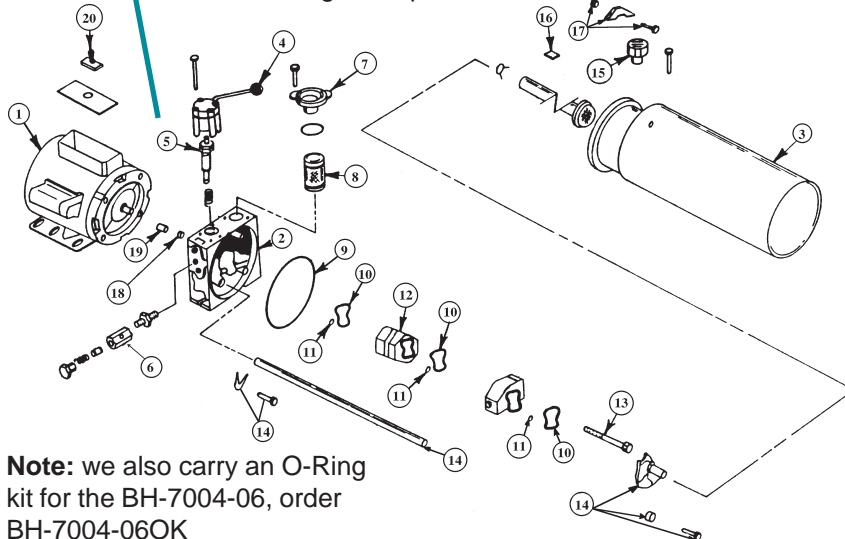


V-12

Lowering
Valve for
Fenner Fluid
Power Units
Available
and In Stock

SVI will continue to make repair parts available for the **P500** series Fenner Fluid Power units. These units were very popular on lifts produced in the early 1990's and are found widely on Rotary surface mount lifts.

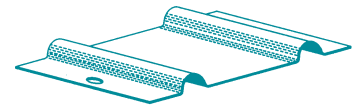
Order **BH-7004-06** to correct your customer's lowering valve problem.



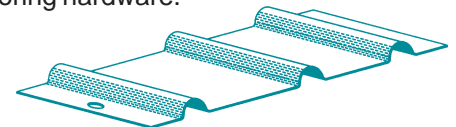
Note: we also carry an O-Ring kit for the BH-7004-06, order BH-7004-06OK

Steel Wheel Spotting Dishes

Ready for immediate shipment. Others are using plastic to cut costs. SVI supplies the lift industry with quality. Insist on rugged steel wheel spotting dishes.



Each come with
anchoring hardware.



Each spotting dish is painted safety yellow and comes complete with stainless steel fastening anchors to make installations go quickly.

Order **BH-9701** for a single position wheel spotting dish kit and **BH-9702** for a dual position. Call today!

To Order: 800-321-8173 or 630-365-9250 Fax: 800-899-1784 or 630-365-2809

All names, numbers symbols and descriptions are used for reference purposes only. It is not implied that any part listed is the product of these manufacturers, however; some parts may be the actual product of these manufacturers.

SVI SUPPORTS DISTRIBUTORS



SVI supplies its product line only to Lift Repair Professionals and **DOES NOT** sell to end-users (lift owners) of lift repair products.

Unfortunately, there are other companies in this Industry that sell directly to lift owners, cutting out the Distributor. SVI believes this undermines Distributors, the back bone of our industry.

This is wrong!

For Distributor Support - SVI is your Answer!



SVI International, Inc.
LIFT REPAIR PARTS

ATLANTA - BALTIMORE - CHICAGO - LOS ANGELES

Main Office: 800 Hicks Drive • Elburn, Illinois 60119 • 800-321-8173 • Fax 800-899-1784

Address Service Requested

SVI International, Inc.
P.O. Box 70
Elburn, IL 60119



BULK RATE
US Postage
PAID
Permit No. 134
Carol Stream, IL