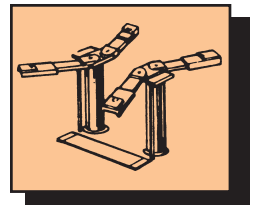




# The Twin Post

Single Page Update for the S V I Line of  
Automotive Service Equipment Repair Parts - August 1998 (3)

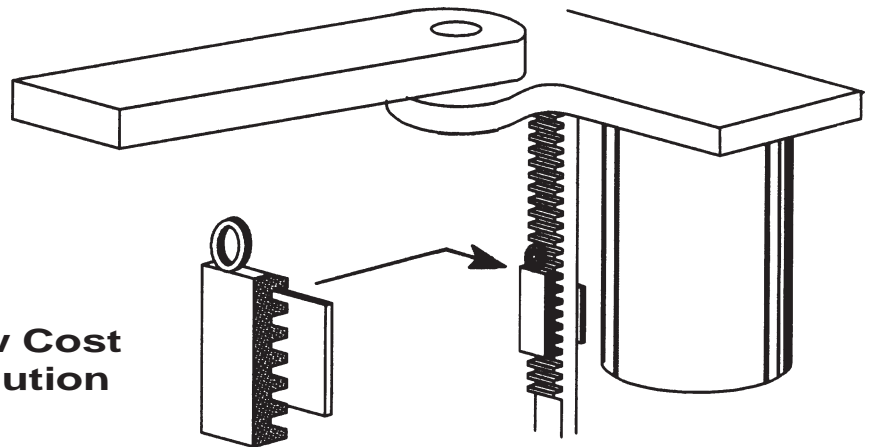


- Atlanta
- Baltimore

## LOCK EM UP FOR O.S.H.A.

- Chicago
- Los Angeles

WITH NEW MANUAL STYLE RACK BAR LOCKS



Low Cost  
Solution

### MORE SOLUTIONS FOR LIFT PROS!

SVI will help you provide your customers with Locking solutions for older Side by Side in-ground lifts.

Many older Side by Side in-ground lifts did not originally come equipped with a locking mechanism. In some cases, it can be very difficult to add new style locking assemblies to older lifts. With SVI Solutions you can now accomplish this task.

Simply slip these manual rack bar locks on to provide a lock at any lift height. Locks should always be slipped on as close to the floor as possible. Manual Rack Bar Locks are sold in and should always be used in pairs.

Each lock comes with a washer welded to the top so it can easily be hung somewhere near the lift for easy access. The locks are painted safety yellow and designed for years of trouble free use. *LIFT PROFESSIONALS - SVI is your Answer!*

**Lift Repair Parts**

LRC9000A SVI International, Inc. - Lift Repair Parts January 1997

**In-Ground Lift Equalizer Assemblies and Parts**

For all Two Post Side by Side In-ground Lifts

Rack Bar Identification by Dimensions				
Width	Depth	Features	S V I Rack Bar Part No. Plus Lift Manufacturer	
4-3/4"	x 1-3/4"	72" long	BH-9110 for Benwil Lifts	
4-1/2"	x 1-3/4"	84" long	BH-9111 for Cochin Lifts	
4-1/2"	x 1-1/2"	4-3/4" slot at top	BH-9112 for Curtis Lifts	
4"	x 1-1/2"	Channel with rack inside with holes in back	BH-9108 for Globe/Walton Lifts	
4"	x 2"	Round	BH-9109 for Globe/Walton Lifts	
2-1/2"	Diameter	with holes in side	BH-9113 for Globe Manual Lock	
1-3/4"	x 1-1/4"	Round	BH-9114 for Weaver	
1-7/8"	x 1-1/2"	Square	BH-9115 for Weaver/Rotary	

Pinion Gear Identification by Dimensions				
Outer Diameter	Width	Number of Teeth	S V I Pinion Gear Part No. Plus Lift Manufacturer	
1-3/4"	x 4-1/4"	20	BH-9111 for Benwil Lifts	
1-1/2"	x 2-5/8"	12	BH-9112 for Cochin Lifts	
1-1/2"	x 2-5/8"	20	BH-9111 for Curtis Lifts/Includes collar/lock screw	
1-1/2"	x 3-1/4"	24	BH-9111 for Globe/Walton Lifts	
1"	x 4"	18	BH-9111 for Globe Lifts	
1-1/2"	x 4-1/4"	20	BH-9113 for Joyce/Weaver/Rotary Lifts	

Entire Contents Copyright © SVI International, Inc. 1997  
To Order: Call (800) 321-8173 or Fax: (800) 899-1784

Call to get your copy of our In-Ground Lift Equalizer Assemblies and Parts booklet. This Lift Repair Parts catalog contains all the necessary information for ordering Rack and Gear kits and is a must have for all Lift Repair Professionals.

Order LRC9000

**Please Note:** manual style rack bar locks are not meant to be used in lieu of O.S.H.A. required automatic locking systems.

## SVI DIRECT FIT BRAND Products

SVI Part Number	Fits Rack Bar Number(s)	Manual Rack Bar Lock for:	Distributor Price per Pair:
BH-9110ML	BH-9110 & BH-9110	All Cochin Side by Side Lifts	<b>xx.xx</b>
BH-9210ML	BH-9210	All Curtis Side by Side Lifts	<b>xx.xx</b>
BH-9410ML	BH-9409 & BH-9410	All Globe Side by Side Lifts	<b>xx.xx</b>
BH-9610ML	BH-9610	Weaver Side by Side Lifts w/round rack bar	<b>xx.xx</b>
BH-9611ML	BH-9611 & BH-9012	Weaver Side by Side Lifts w/rect. rack bar & Benwil	<b>xx.xx</b>
BH-9612ML	BH-9612	Weaver Side by Side Lifts w/square rack bar	<b>xx.xx</b>

Entire Contents Copyright © SVI International, Inc. 1998

**To Order: 800-321-8173 or 630-365-9250 Fax: 800-899-1784 or 630-365-2809**

All names, numbers symbols and descriptions are used for reference purposes only. It is not implied that any part listed is the product of these manufacturers, however; some parts may be the actual product of these manufacturers.