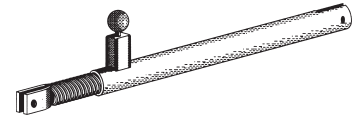
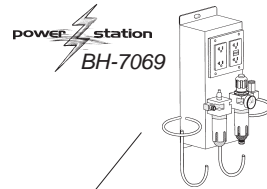
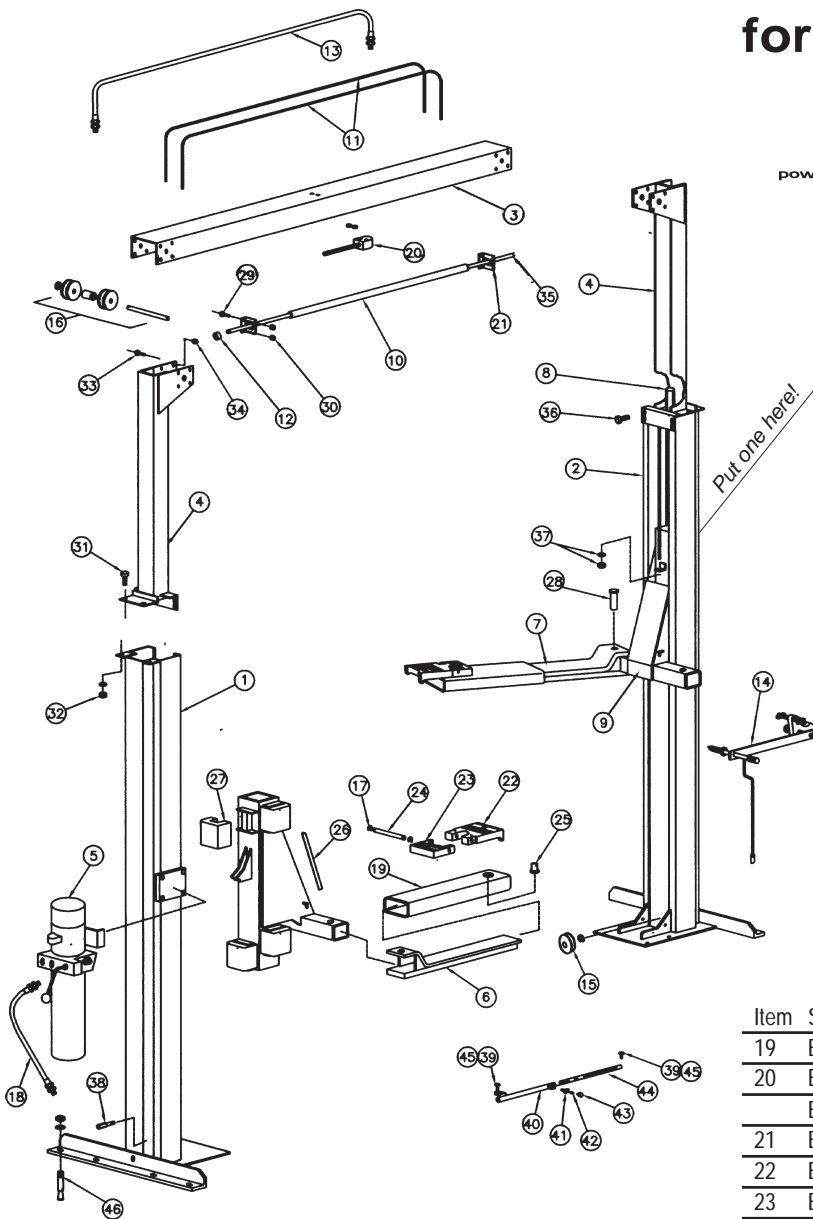


SVI "Direct Fit" brand Lift Repair Parts for Rotary lifts.

entire contents copyright © 2005 SVI International, Inc.

for lift model SPO84



Arm Restraint Individual Complete Assemblies

SVI part #	OEM#	Description
BH-7508-04	FJ7516	LF / RR Arm Restraint Assy
BH-7580-06	FJ7517	RF / LR Arm Restraint Assy

ARM RESTRAINT KITS

BH-7508-12 This Arm Restraint Kit is used on lift that was originally produced to accommodate Arm Restraints. Sold as a complete set of (4) four.

BH-7508-12A This Arm Restraint Kit should be ordered when upgrading a lift that was not originally produced to accommodate Arm Restraints. Sold as a complete set of (4) four. Some modification may be necessary.

Item	SVI part #	OEM #	Req	Description
1	n/a	FJ7291	1	Right Hand Column
2	n/a	FJ7290	1	Left Hand Column
3	BH-7510-11	FJ7108-1	1	Overhead Structure
4	BH-7510-10	FJ7104	1	Column Overhead Extension
5	BH-7006-01LS	P602	1	Power Unit 2hp, 1ph, 3450RPM
6	BH-7504-02	FJ7239	1	RR Swing Arm
6	BH-7504-03	FJ7240	1	RF Swing Arm
7	BH-7504-01	FJ7238	1	LR Swing Arm
7	BH-7504-04	FJ7241	1	LF Swing Arm
8	BH-7511-02	FJ7211	2	Hyd Cylinder
9	BH-7510-08	FJ7242-1	2	Carriage Weldment
10	BH-7510-12	FJ7108-7-1-21	2	Overhead Bar Cushion
11	BH-7500-05	FJ7101	2	Equalizer Cable
12	F-FW-0750-SAE	FJ7108-7-3	2	3/4" Washer
13	BH-7512-07	FJ86	1	Hydraulic Hose
14	BH-7503-02	FJ748	2	Carriage Latch Kit
15	BH-7500-50		6	Sheave, Steel
	BH-7500-50N	FJ7116-1	6	Sheave, Nylon
16	BH-7500-61	FJ7109	1	Sheave Kit, (Nylon Sheaves)
17	BH-9755-26	FJ671-6	8	Hog Ring Clip
18	BH-7512-52	FJ7191	1	Hydraulic Hose

Item	SVI part #	OEM #	Req	Description
19	BH-7508-40	FJ775-1	4	Sleeve Only
20	BH-7503-28	FJ7868	1	Overhead Limit Switch Assy
	BH-7004-19	1258-AA	1	Overhead Limit Switch
21	BH-7510-13	FJ7108-7-2	1	Bracket
22	BH-9755-20	FJ671-1	4	High Step Ductile Iron Adapter
23	BH-9755-21	FJ671-2	4	Low Step Ductile Iron Adapter
24	BH-9755-22	FJ671-3	4	Adapter Swivel Pin
25	BH-9755-25	FJ671-5	4	Swivel Pin
26	BH-7510-04	FJ761-4	2	Foam Tape
27	BH-7510-01	FJ7236	12	Slider Block
28	BH-7502-12	FJ730-4	4	Arm Swivel Pin
29	F-HC-0250-20-0750		4	1/4"-20 X 3/4" Capscrew
30	F-HN-0250-20		4	1/4"-20 Hex Nut
31	F-HC-0375-16-1250		4	3/8"-16 X 1-1/4" Capscrew
32	F-LN-037-16		4	3/8"-16 Lock Nut
33	F-HC-0375-16-0750		16	3/8"-16 X 1-1/4" Capscrew
34	F-LN-037-16		16	3/8"-16 Lock Nut
35	BH-7510-14	FJ7108-7-1-1	1	Overhead Limit Bar
36	F-HC-0500-13-0750		8	1/2"-13 X 3/4" Capscrew
37	F-JN-0500-13		4	1/2"-13 Jam Nut
38	call for details	FJ741-7	2	Cylinder Adapter
39	F-CP-125-1000		8	1/8" X 1" Cotter Pin
40	BH-7508-24	FJ7233-11	2	RH Outer Arm Restraint Tube
40	BH-7208-25	FJ7233-7	2	LH Outer Arm Restraint Tube
41	BH-7503-47	FJ7233-25	4	Arm Restraint Plunger
42	BH-7503-46	FC134-89	4	Spring
43	BH-7503-45	FC134-91	4	Red Ball
44	BH-7503-23	FJ7233-27	4	Inner Arm Restraint Bar
45	BH-7503-48	FJ7233-22	8	Clevis Pin

All names, numbers, symbols and descriptions are used for reference purposes only. It is not implied that any part listed is the product of these manufacturers; however, some parts may be the actual product of these manufacturers.