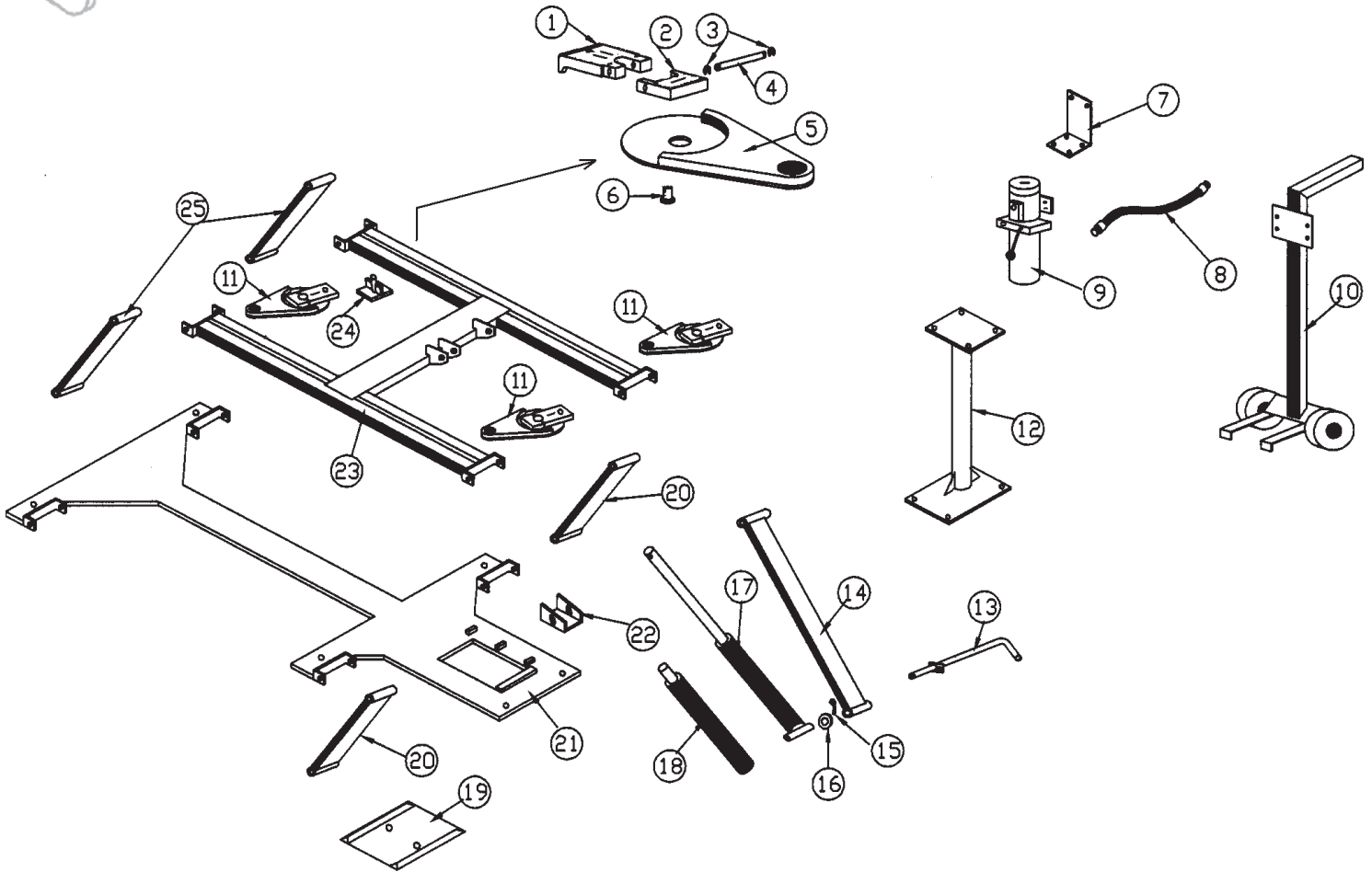




Insist on only SVI "Direct Fit" brand Lift Repair Parts.

entire contents copyright © 2005 SVI International, Inc.

# for lift model PAL7



Item	SVI part#	OEM#	Req	Description
1	BH-9755-20	FJ671-1	4	High Step Ductile Iron Adapter
2	BH-9755-21	FJ671-2	4	Low Step Ductile Iron Adapter
3	BH-9755-26	FJ671-6	8	3/32" Hog Ring
4	BH-9755-22	FJ671-3	4	Adapter Pivot Pin
5	BH-7546-033		4	Adapter Swivel Base
6	BH-9755-25L	FJ79-6	4	Adapter Swivel Pin
7	BH-7538-80	P522-3		Power Unit Bracket for air motor
8	BH-7512-17	FJ85	1	Hydraulic Hose
9	BH-7007-10	P601	1	Power Unit
	BH-7207-81	P836	1	Power Unit (air operated)
10	BH-7505-43	FA569		Power Unit Stand (mobile)
11	BH-7511-70	FJ2311	4	Swivel Base and Adapter Assy
12	BH-7505-25	FA536	1	Power Unit Stand
13	BH-7510-99	FJ2294-3	1	Lock Release Bar
14	BH-7511-16	FJ2294	1	Lock Leg
15	F-CP-125-1250	41201	1	1/8" x 1-1/4" Cotter Pin

Item	SVI part#	OEM#	Req	Description
16	BH-7546-008	FJ2252-4	1	Washer
17	BH-7505-02S	FJ2248-12T	1	Hydraulic Cylinder Seal Kit
18	BH-7505-02	FJ2248	1	Hydraulic Cylinder
19	BH-9701	SVI Exclusive	1	15" Wide Reach Wheel Spotter
	BH-9702	SVI Exclusive	1	15" Wide Reach Dual Spotter
20	BH-7546-010	FJ2244	2	Front Lift Leg
21	BH-7510-94	FJ2293	1	Base
22	BH-7510-93	FJ2293-1	1	Cylinder Cradle
23	BH-7546-035	FJ2242	1	Superstructure
24	BH-7537-63	FJ2372	4	Adapter Slide
25	BH-7546-015	FJ2245	2	Rear Lift Leg
26	BH-7511-70	FJ2311	4	Swivel Base and Adapter Assy

Breakdown represents second generation PAL7 models. Please contact your favorite SVI representative for details on parts for first generation PAL7 models.

SVI has been serving the automotive lift industry since 1977.