

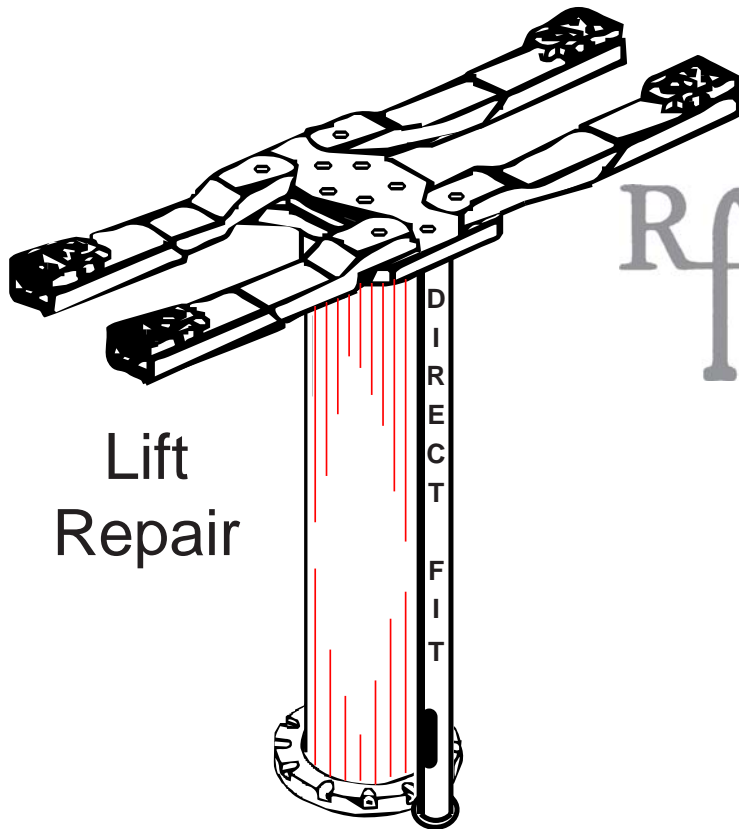


The Twin Post



Single Page Update for the S V I Line of
Automotive Service Equipment Repair Parts - April 13, 1998

All In One Package SVI Buys Ronflo Mfg.



In a move to simplify ordering and enhance service, SVI has acquired Ronflo Manufacturing. The two companies agreed to the terms of sale late last week.

Ronflo, a well known name in the industry, has been supplying lift professionals with Safety Legs, Lift Tanks, Rack Bars and Pinion Gears since 1985. In the more recent past, SVI coordinated Ronflo's entry into the complete equalizer assembly and lift packing kit market.

Now one company, the combined experience provides over 8000 lift repair products (solutions) to you, the professionals in our industry.

For improved service, please place your orders as usual by dialing the numbers listed below!

To Place Your Orders:

Phone **800-321-8173**

Fax **800-899-1784**

SVI's four "Ready Ship" warehouses are poised to service Ronflo distributors with rapid delivery.

SVI is your Answer!

SVI Direct Fit Brand Products



SVI International, Inc.
LIFT REPAIR PARTS

ATLANTA - BALTIMORE - CHICAGO - LOS ANGELES

Main Office: 800 Hicks Drive • Elburn, Illinois 60119 • 800-321-8173 • Fax 800-899-1784