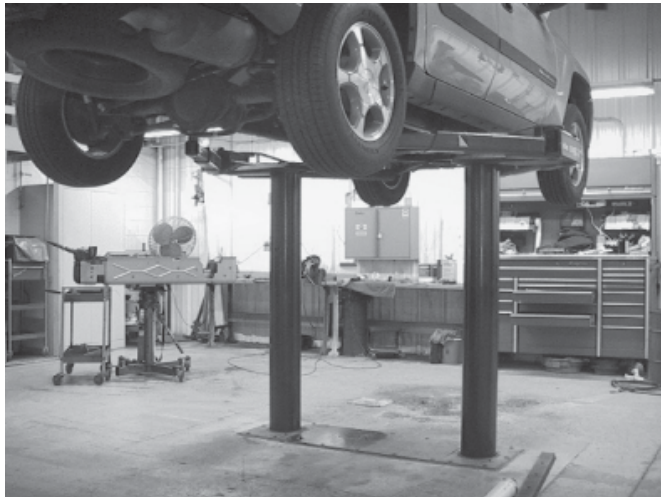




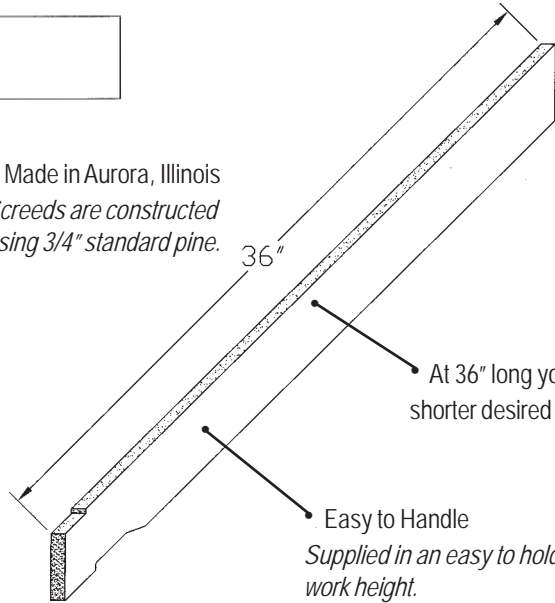
SVI New Product Notice . . .

August 29, 2007

Concrete Screed tool for use when installing Rotary SL210 & SL212 lift models



Made in Aurora, Illinois
Screeds are constructed
using 3/4" standard pine.



36"

At 36" long you cut down to a shorter desired working length.

Easy to Handle
Supplied in an easy to hold 3-1/2" work height.

Some installers have contacted SVI requesting that we produce concrete screeds for use by their crews rather than taking the time to make them up themselves. These concrete screeds are the recommended tool in order to achieve the proper concrete ramp angle when installing new versions of SL210 and SL212 cassette style lifts. Use of this tool means it will be easier for your customer to roll equipment such as oil drains over the lift and provide a cleaner, neater looking installation.

SVI now offers concrete screeds individually and shrink wrapped together as six packs. Screeds are produced using standard grade 3/4" pine and are 3-1/2" tall by 36" long for ease of handling and use. For detailed instruction on how to properly use the screed please contact the lift provider for your copy of the instructions. Make the proper grade and order your screed tools today -- SVI is your answer.

Pricing

SVI Part No.	For	From	Description	1/2	3/up
BH-9786-50	Rotary Lifts	SVI	36" Concrete Screed for SL210/212	12.95	11.95
BH-9786-50-6	Rotary Lifts	SVI	36" Concrete Screed for SL210/212 (6 Pak)	67.90	59.00

Note: Always be present during final concrete pour and provide the concrete contractor with a screed tool and proper use instructions.

Contact your favorite SVI representative with any questions. The product listed above is intended for use on lift models SL210 and SL212. If you need the optional automatic water removal system, lock components or anything else for these models, please let us know.

Make mine
American Made!

It's SVI when you need something helpful!

All names, numbers, symbols and descriptions are used for reference purposes only. It is not implied that any part listed is the product of these manufacturers; however, some parts may be the actual product of these manufacturers.



SVI International, Inc.
LIFT REPAIR PARTS

BALTIMORE - CHICAGO - LOS ANGELES

Main Office: 101 W. Illinois Ave. • Aurora, Illinois 60506 • 800-321-8173 • Fax 800-899-1784

Entire Contents Copyright © SVI International, Inc. 2007