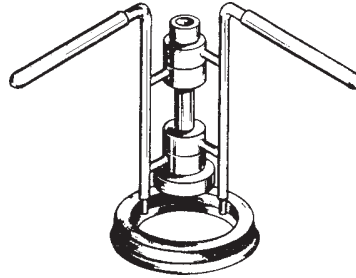




SVI New Product Notice . . .

May 11, 2007

Lift Repair Pro -- Rod Seal Install-Tool for tight rod seal installations.

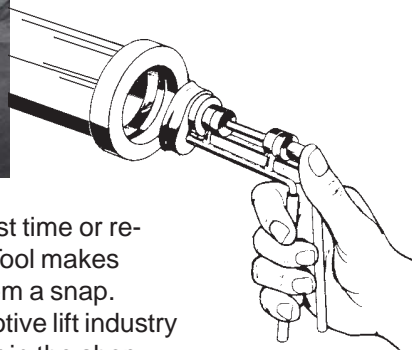
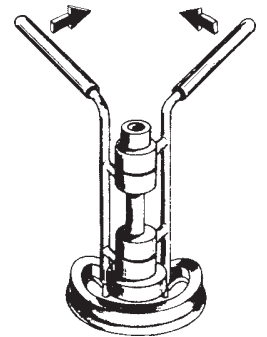


Place seal on flat surface with seal lip down.

Open tool so that center pin is outside the seal O.D. and the handle pins are inside the I.D.

Rotate handles to deform the seal.

Install seal in groove from external end of the cylinder bore.



Release pressure and remove the tool.

With finger pressure snap remaining part of the seal into the groove.

Whether you are installing new seals for the first time or re-packing your 51st cylinder, the rod seal Install-Tool makes installing small rod seals without damaging them a snap. Everyone who re-packs cylinders in the automotive lift industry should have a set of these tools on the truck or in the shop.

Order your set today. SVI is your answer!

SVI Part No.	For	From	Description	List	Dist.
BH-7079-01	Any	SVI	Install Tool Set	\$141.43	99.00
BH-7079-01A	Any	SVI	Install Tool for 3/4" ID to 1-1/4" ID seals	\$50.67	35.47
BH-7079-01B	Any	SVI	Install Tool for 1-1/2" ID to 2" ID seals	\$50.67	35.47
BH-7079-01C	Any	SVI	Install Tool for 2" ID to 3" ID seals	\$50.67	35.47



Contact your favorite SVI representative to order tools or for replacement cylinder seal kits. SVI has been in the hydraulic seal business since its founding. In fact, our sister company, Valley Precision Seal (VPS) supplies oil seals for use by big name stock

cars and other racing teams and affiliations. The next time you are watching a race -- you are watching our seals too.

The VPS seals on the track go round and round.

It's SVI when you want to make something new!



**SVI International, Inc.
LIFT REPAIR PARTS**

BALTIMORE - CHICAGO - LOS ANGELES

Main Office: 101 W. Illinois Ave. • Aurora, Illinois 60506 • 800-321-8173 • Fax 800-899-1784

Entire Contents Copyright © SVI International, Inc. 2007