

Automotive Lift

R E P A I R P A R T S



SVI International, Inc.
(800) 321-8173 • fax: (800) 899-1784
155 Harvestore Drive • DeKalb, IL 60115
www.sviinternational.com

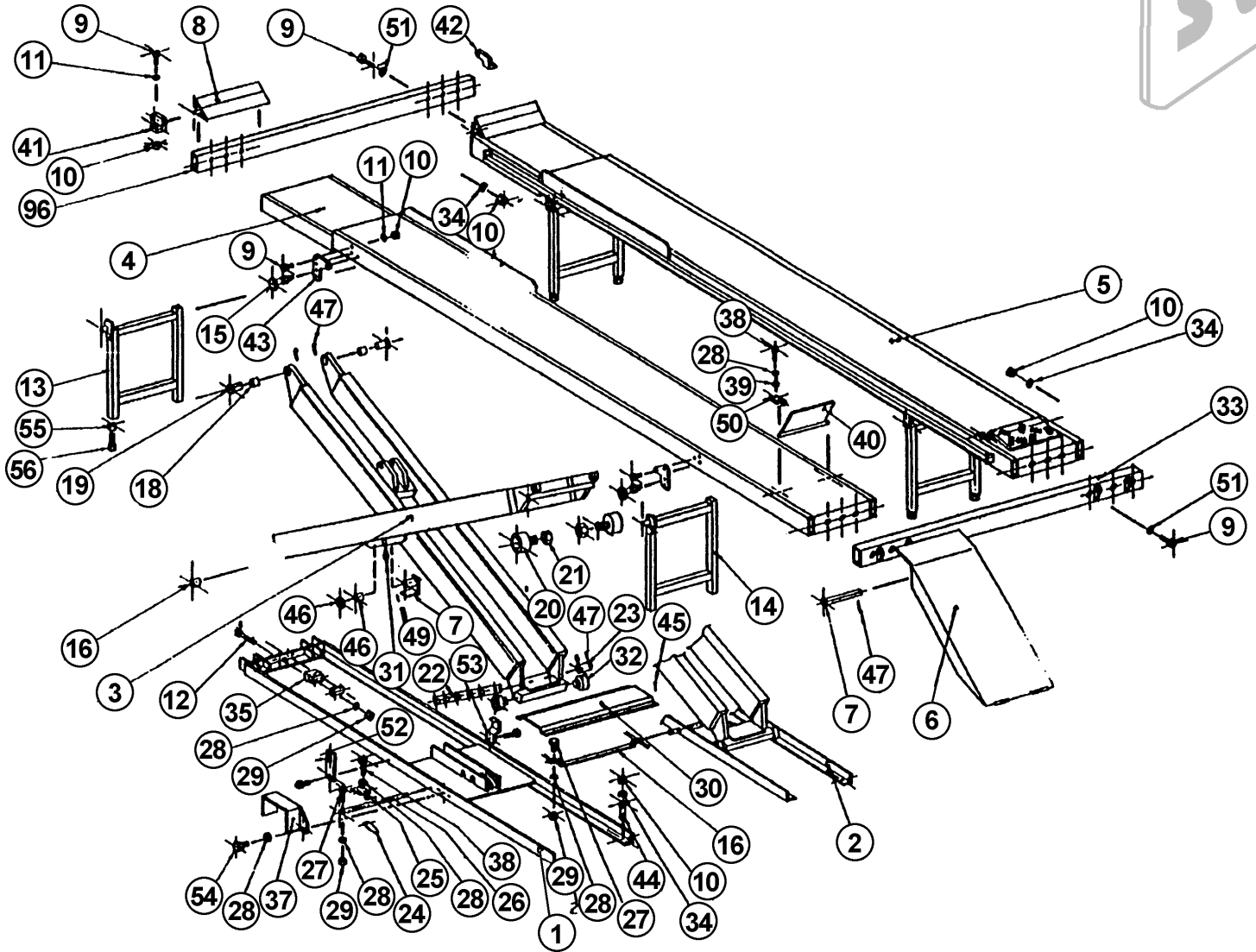
BALTIMORE • CHICAGO • LOS ANGELES

Repair Parts for: **Wheeltronic**

Repair Parts for:
Wheeltronic

LRC7790B

Space Saver, 12,000 Series



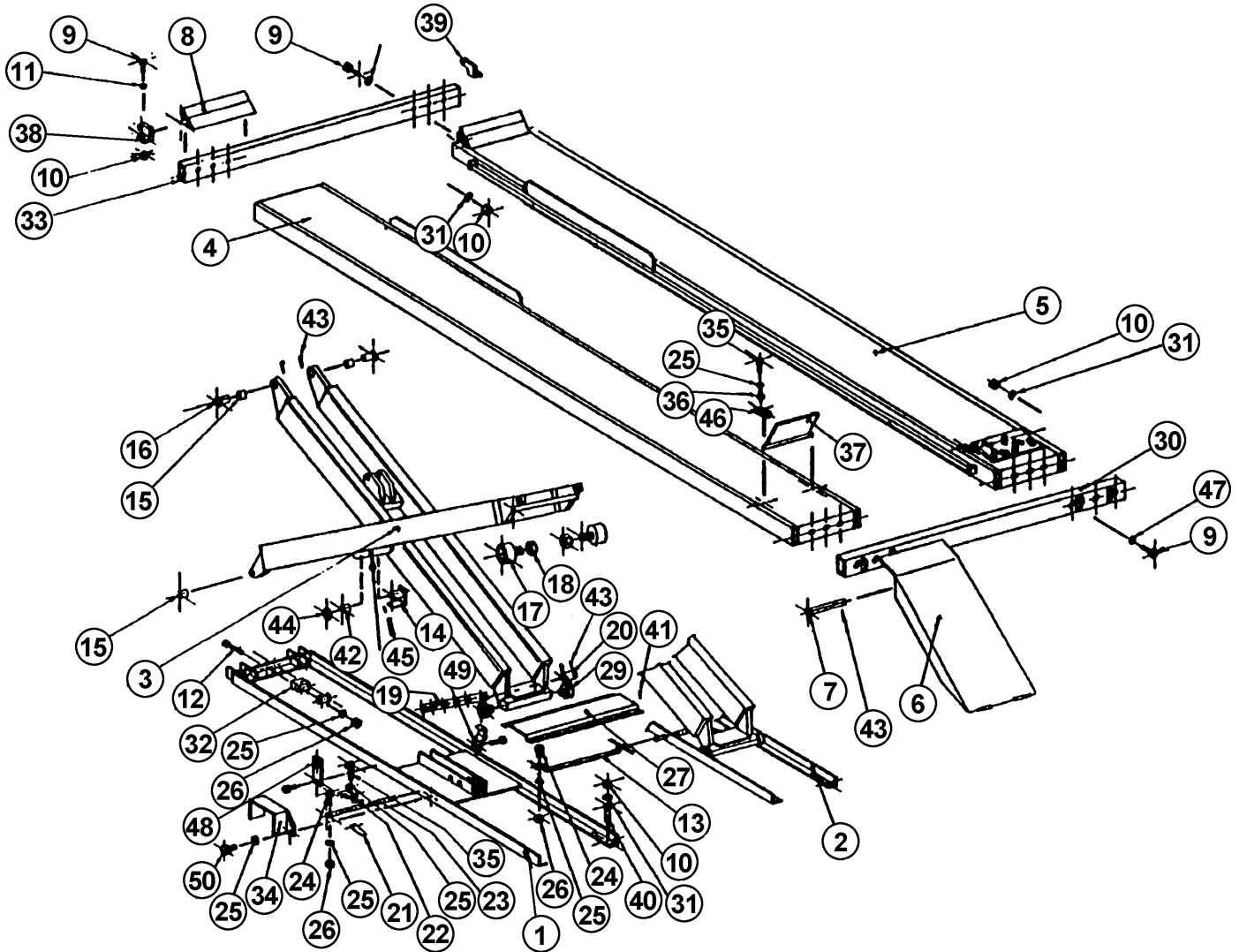
Item	SVI part #	OEM #	Req	Description
1	BH-7797-85	4-0160	1	Base Frame, Driver Side
2	BH-7799-28	4-0161	1	Base Frame, Passenger Side
3	BH-7799-23	4-0153	2	Scissor Weldment
4	BH-7799-25	4-0158	1	Alignment Deck, Driver Side
5	BH-7799-26	4-0159	1	Alignment Deck, Passenger Side
6	BH-7796-61	3-0285	2	Approach Ramp
7	BH-7791-19	1-0095	2	Ramp Pin
8	BH-7794-04	2-0432	2	Wheel Stop (Front)
9	F-HN-0500-13-1500	6-0291	32	Hex Nut, 1/2"-13 x 1-1/2"
10	F-HN-0500-13	6-0035	36	Hex Nut, 1/2"-13
11	F-LW-0500	6-0059	22	Lockwasher, 1/2"
12	F-HC-0250-20-2000	6-0177	4	1/4"-20 x 2" Hex Head Capscrew
13	BH-7796-68	3-0300	2	Leveling Leg, Front DS, Rear PS
14	BH-7796-67	3-0299	2	Leveling Leg, Front PS, Rear DS
15	BH-7790-24	2-0086	4	Plunger Pin Assembly
16	BH-7793-66	2-0071	1	Safety Release Conn. Rod
17	BH-7805-52	1-0106	4	Fulcrum Pin, 1-1/4"
18	BH-7800-70	6-0085	8	Bushing, 1"
19	BH-7791-29	1-0107	8	End Hinge Pin, 1"
20	BH-7798-08	6-0076	4	Cam Follower

Item	SVI part #	OEM #	Req	Description
21	F-JN-0625-18	6-0040	4	Jam Nut, 5/8"-18
22	BH-7794-01	2-0405	2	Safety Bar
23	BH-7791-81	1-0547	2	Pins
24	BH-7793-83	2-0194	2	Safety Pedal
25	BH-7791-46	1-0189	2	Safety Release Tab
26	BH-7794-03	2-0428	2	Safety Release Rod
27	F-HC-0250-20-1250	6-0027	6	Hex Bolt, 1/4"-20 x 1-1/4"
28	F-LW-0250	6-0056	18	Lockwasher, 1/4"
29	BH-7798-13	6-0032	10	Hex Nut, 1/4"-20
30	BH-7796-45	3-0164	1	Center Cover
31	BH-7800-51	6-0000	4	Grease Nipple
32	BH-7790-26	6-0077	4	Cam Follower
33	BH-7796-65	3-0297	1	Rear Crossmember
34	call	6-0439	16	Plain Washer, 1/2"
35	BH-7801-09	6-0172	2	Rubber Support Assembly
36	BH-7796-66	3-0298	1	Front Crossmember
37	BH-7792-06	1-0698	2	Toe Guard
38	F-HC-0250-20-0750	6-0178	8	Hex Bolt, 1/4"-20 x 3/4"
39	F-FW-0250-USS	6-0060	4	Flat Washer, 1/4"

Space Saver, 12,000 Series (continued)

Item	SVI part #	OEM #	Req	Description
40	BH-7793-96	2-0343	2	Rear Wheel Stop
41	BH-7792-05	1-0691	1	Front W/S Bracket, D.S.
42	BH-7792-04	1-0690	1	Front W/S Bracket, P.S.
43	BH-7793-73	2-0118	4	Outside Leg Bracket
44	BH-7800-99	6-0140	16	Wedge Anchor, 1/2" x 4-1/2"
45	BH-7801-00	6-0141	4	Concrete Nail, 1/4" x 1"
46	BH-7800-69	6-0084	8	Bushing, 1-1/4"
47	BH-7798-76	6-0115	14	Cotter Pin

Item	SVI part #	OEM #	Req	Description
48	BH-7791-42	1-0140	4	Washer
49	BH-7801-02	6-0146	4	Spring Pin, 3/16" x 2"
50	BH-7791-79	1-0432	4	Rear Wheel Stop Clip
51	call	6-0439	6	Flat Washer
52	BH-7792-08	1-0728	4	Shipping Bracket Flat
54	F-HC-0250-20-2500	6-0554	4	Hex Bolt, 1/4"-20 x 2-1/2"
55	call	6-0041	8	Jam Nut
56	call	6-0050	8	Tap Bolt, 3/4" x 4"



Main Frame Assembly, Service & Rust Proofed

Item	SVI part #	OEM #	Req	Description
1	BH-7799-27	4-0160	1	Base Frame, Driver Side
2	BH-7799-28	4-0161	1	Base Frame, Pass. Side
3	BH-7799-23	4-0153	2	Scissor Weldment
4	BH-7799-29	4-0162	1	Ser. Deck, Driver Side
5	BH-7799-30	4-0163	1	Ser. Deck, Pass. Side
6	BH-7796-61	3-0285	2	Approach Ramp
7	BH-7791-19	1-0095	2	Ramp Pin
8	BH-7794-04	2-0432	2	Wheel Stop
9	F-HC-0500-13-1500	6-0291	20	Hex Bolt, 1/2"-13 x 1-1/2"

Item	SVI part #	OEM #	Req	Description
10	F-HN-0500-13	6-0035	24	Hex Nut, 1/2"-13
11	F-LW-0500	6-0059	10	Lock Washer, 1/2"
12	F-HC-0250-20-2000	6-0177	4	1/4"-20 x 2" Lg. Hex Head Capscrew
13	BH-7793-66	2-0071	1	Safety Release Conn. Rod
14	BH-7805-52	1-0106	4	Fulcrum Pin, 1-1/4"
15	BH-7800-70	6-0085	8	Bushing, 1"
16	BH-7805-53	1-0707	8	End Hinge Pin, 1"
17	BH-7798-08	6-0076	4	Cam Follower
18	F-JN-0625-18	6-0040	4	Jam Nut, 5/8"-18

All names, numbers, symbols and descriptions are used for reference purposes only. It is not implied that any part listed is the product of these manufacturers; however, some parts may be the actual product of these manufacturers.

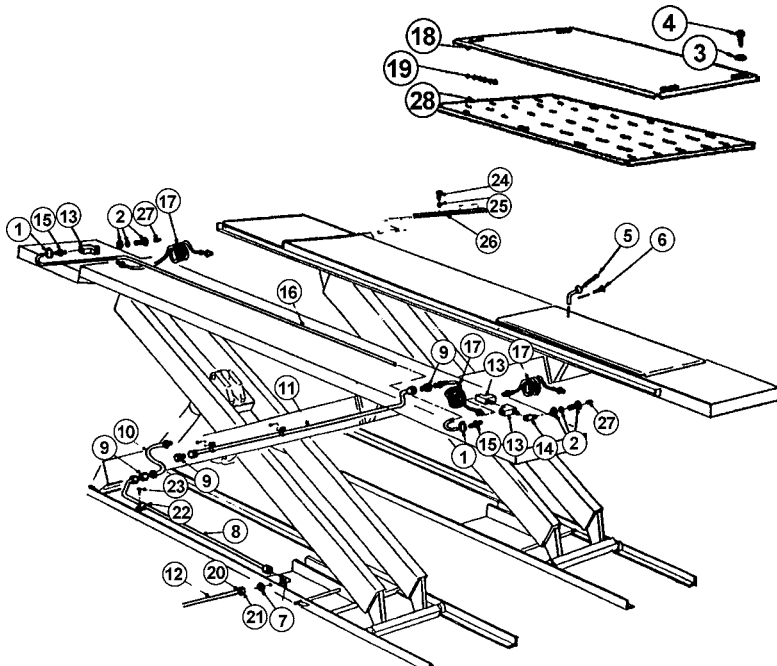


Space Saver, 12,000 Series (continued)

Main Frame Assembly, Service & Rust Proofer (continued)

Item	SVI part #	OEM #	Req	Description
19	BH-7794-01	2-0405	2	Safety Bar
20	BH-7790-95	1-0034	2	Pins
21	BH-7793-83	2-0194	2	Safety Pedal
22	BH-7791-46	1-0189	2	Safety Release Tab
23	BH-7794-03	2-0428	2	Safety Release Rod
24	F-HC-0250-20-1250	6-0027	6	Hex Bolt, 1/4"-20 x 1-1/4"
25	F-LW-0250	6-0056	18	Lock Washer, 1/4"
26	BH-7798-13	6-0032	10	Hex Nut, 1/4"-20
27	BH-7796-45	3-0164	1	Center Cover
28	BH-7800-51	6-0000	4	Grease Nipple
29	BH-7790-26	6-0077	4	Cam Follower
30	BH-7796-66	3-0298	1	Rear Crossmember
31	call	6-0063	16	Plain Washer
32	BH-7801-09	6-0172	2	Rubber Support Assembly
33	BH-7796-66	3-0298	1	Front Crossmember
34	BH-7792-06	1-0698	2	Toe Guard

Item	SVI part #	OEM #	Req	Description
35	F-HC-0250-20-0750	6-0178	8	Hex Bolt, 1/4"-20 x 3/4"
36	F-FW-0250-USS	6-0060	4	Flat Washer, 1/4"
37	BH-7793-96	2-0343	2	Rear Wheel Stop
38	BH-7792-05	1-0691	1	Front W/S Bracket
39	BH-7792-04	1-0690	1	Front W/S Bracket
40	BH-7800-99	6-0140	16	Wedge Anchor, 1/2" x 4-1/2"
41	BH-7801-00	6-0141	4	Concrete Nail, 1/4" x 1"
42	BH-7800-69	6-0084	8	Bushing, 1-1/4"
43	BH-7798-76	6-0115	14	Cotter Pin
44	BH-7791-42	1-0140	4	Washer
45	BH-7801-02	6-0146	4	Spring Pin, 3/16" x 2"
46	BH-7791-79	1-0432	4	Rear Wheel Stop Clip
47	BH-7791-80	1-0439	6	Flat Washer, 1/2"
48	BH-7792-08	1-0728	4	Shipping Bracket
49	F-HC-0250-20-2500	6-0554	4	Hex Bolt, 1/4"-20 x 2-1/2"



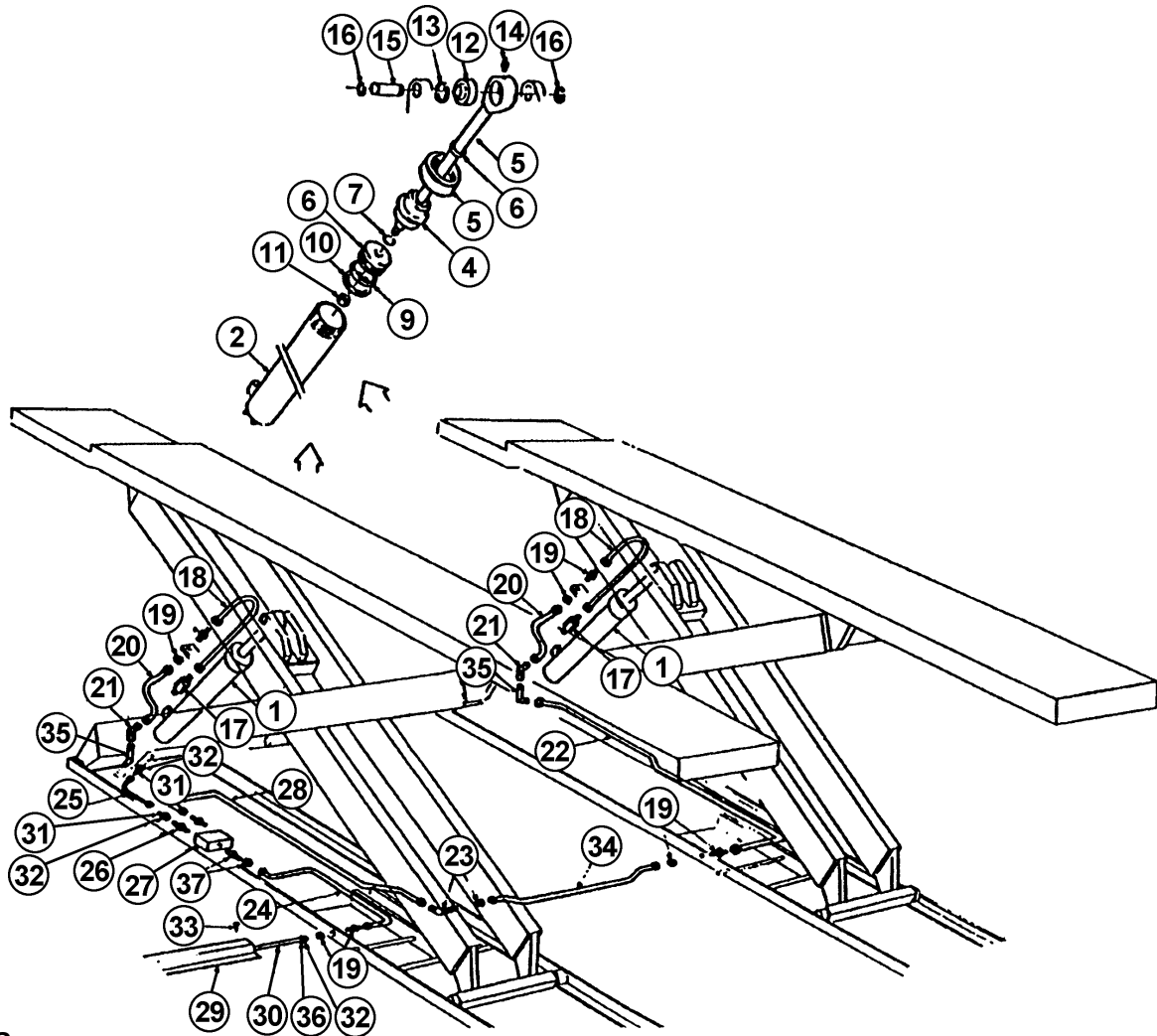
Item	SVI part #	OEM #	Req	Description
5	BH-7791-36	1-0117	4	Locking Pin Assembly
6	call	6-0505	4	Self Tap Screw, #10 x 1/2"
7	BH-7798-41	6-0012	1	Bulkhead 90° Elbow, C/W Jam Nut
8	BH-7796-20	3-0017	1	Tube Assembly
9	BH-7800-84	6-0118	3	Adapter, 3/8M JIC to 1/4" FNPT
10	BH-7791-37	1-0119	1	Hose Assembly
11	BH-7793-60	6-0062	1	Tube Assembly
12	BH-7801-08	6-0171	1	Tube, 3/8" x .049" x 20'
13	BH-7800-62	6-0014	3	Street Tee, 1/4" NPT
14	BH-7800-63	6-0015	1	Street Elbow
15	BH-7800-85	6-0121	2	Hose Barb Fitting, 1/4" NPT, 3/8" Hose
16	BH-7791-41	1-0139	1	Hose, 172" W/B
17	BH-7798-06	6-0337	3	Street Tee, 1/4" NPT
18	BH-7796-49	3-0197	2	Rear Steer Plate
19	BH-7801-46	6-0427	1 Set	Ball Bearing
20	BH-7800-64	6-0017	2	Sleeve, JIC
21	call	6-0016	2	Nut, 3/8" JIC
22	BH-7798-50	6-0170	4	Tube Clamp
23	BH-7806-10	6-0169	4	Self Tap Screw, #10 x 3/8"
24	F-HC-0250-20-0750	6-0178	16	Hex Bolt, 1/4"-20 x 3/4"
25	call	6-0056	16	Lock Washer
26	BH-7791-77	1-0391	4	Turn Plate Guide
27	BH-7801-31	6-0282	2	Plug, 1/4" NPT
28	BH-7790-34	3-0196	2	Bearing Plate

Options

Item	SVI part #	OEM #	Req	Description
1	BH-7801-07	6-0168	2	Hose Clamp, HF-5
2	BH-7801-06	6-0167	2	Terminal Bolt, 3/4"-16m w/1/4" FNPT
3	call	6-0426	8	Flat Washer
4	call	6-0069	8	Shoulder Bolt, 3/8" x 5/8"



Space Saver, 12,000 Series (continued)



Hydraulics

Item	SVI part #	OEM #	Req	Description
1	BH-7796-08	3-0000	2	Hydraulic Cylinder
2	BH-7796-24	3-0077	1	Tube Weldment
3	BH-7790-90	1-0011	1	Nut Gland
4	BH-7790-89	1-0008	1	Gland
5	BH-7793-44	2-0001	1	Rod Weldment
6*	BH-7800-52	6-0001	1	Wiper Ring
7*	BH-7800-53	6-0002	1	"O" Ring
8	BH-7790-88	1-0007	1	Piston
9*	BH-7800-54	6-0003	1	Seal Ring
10*	BH-7800-55	6-0004	1	Wear Ring
11	F-NL-0875-14	6-0005	1	Nut, Nylon 7/8"-14
12	BH-7800-56	6-0007	1	Bearing
13	BH-7800-67	6-0070	1	Retaining Ring
14	BH-7800-51	6-0000	1	Grease Nipple
15	BH-7790-93	1-0029	2	Pin
16	BH-7798-49	6-0340	4	Retaining Ring
17	BH-7790-20	6-0025	2	Velocity Fuse
18	BH-7791-17	1-0093	2	Tube Assembly, Cylinder
19	BH-7800-61	6-0013	4	Blkhd. Conn. 3/8" JIC C/W Jam Nut
20	BH-7792-03	1-0649	2	Hose Assembly, 1200
21	BH-7801-11	6-0175	2	Adapter, 45° Elbow
22	BH-7793-64	2-0068	1	Blkhd., 90° Elbow C/W Jam Nut

Item	SVI part #	OEM #	Req	Description
24	BH-7793-61	2-0064	1	Tube Assembly
25	BH-7793-78	2-0182	1	Tube Assembly
26	BH-7801-04	6-0156	2	Adapter, 3.8 BSP to 3/8" JIC
27	BH-7790-16	6-0173	1	Flow Divider (with Fittings)
28	BH-7793-63	2-0066	1	Tube Assembly
29	BH-7793-53	2-0015	4	Line Cover
30	BH-7801-08	6-0171	1	Supply Tube, 3/8" .049" Wall x 20"
31	BH-7801-41	6-0378	2	Reducer Nipple, 3/8" to 1/4"
32	call	6-0016	4	Nut, 3/8" Tube
33	BH-7801-00	6-0141	16	Concrete Nail, 1/4" x 1"
34	BH-7794-09	2-0519	1	Tube Assembly
35	BH-7801-10	6-0174	2	Adapter, 90° Extended
36	BH-7800-64	6-0017	2	Sleeve
37	BH-7801-12	6-0176	1	Blkhd. Adapter 3/8" BSP to 3/8" JIC

* Hydraulic Cylinder Seal Kit Part #0-0007

Complete Power Packs

BH-7790-63	0-0123	Hyd. Power Pack 220V/1PH 2 Stage
BH-7790-51	0-0015	Hyd. Power Pack 550V/3PH
BH-7790-52	0-0016	Hyd. Power Pack 220V/3PH

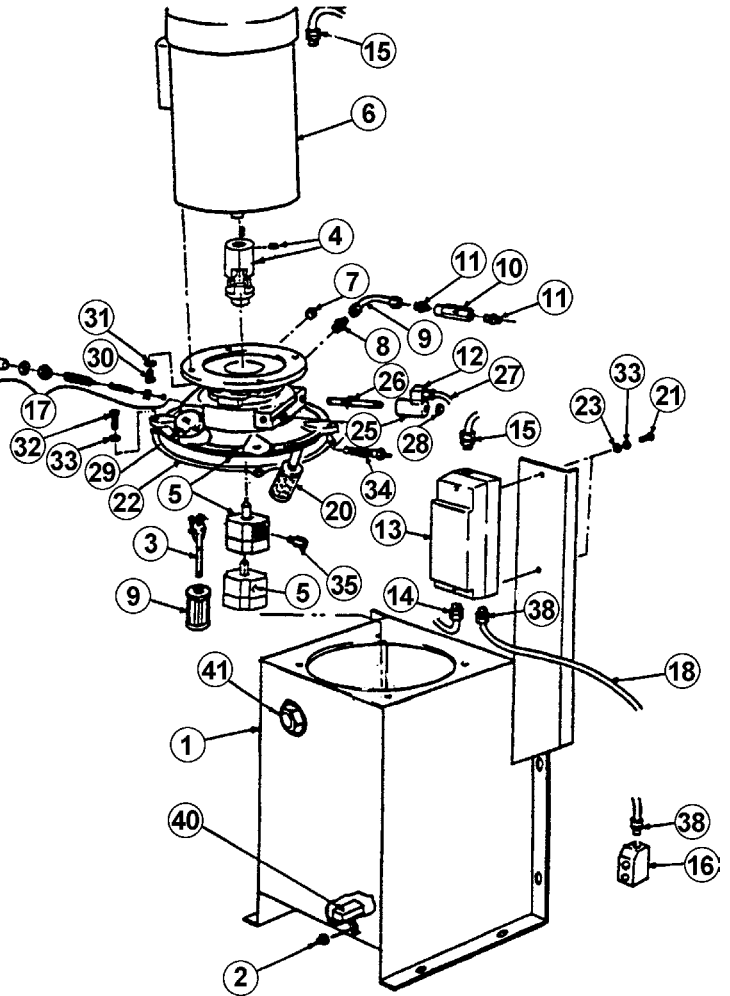
All names, numbers, symbols and descriptions are used for reference purposes only. It is not implied that any part listed is the product of these manufacturers; however, some parts may be the actual product of these manufacturers.



Space Saver, 12,000 Series (continued)

Power Pack

Item	SVI part #	OEM #	Req	Description
1	BH-7799-22	4-0146	1	Oil Reservoir
2	BH-7800-82	6-0102	1	Plug, 3/8" NPT
3	BH-7805-54	6-0544	1	Flange and Pipe Strainer
4	BH-7801-83	6-0542	1	Motor Coupler
5	BH-7801-82	6-0541	1	1001 Pump Assy. (Inc. Pump, Block & Flange)
6	BH-7800-71	6-0087	1	Motor, 220V/1PH
	BH-7801-54	6-0446	1	Motor, 208V/3PH
	BH-7801-55	6-0447	1	Motor, 550V/3PH
7	BH-7800-73	6-0089	1	Plug
8	BH-7800-66	6-0020	1	Hydraulic Adapter
9	BH-7791-24	1-0102	1	Tube Assembly
10	BH-7800-74	6-0090	1	Flow Control Valve
11	BH-7800-59	6-0011	2	Adapter, 3/8" JIC to 3/8" M NPT
12	BH-7800-75	6-0091	1	Solenoid Electric Plug
13	BH-7790-30	6-0095	1	Contr. Motor Starter, 220V/1PH
	BH-7801-56	6-0448	1	Contr. Motor Starter, 208V/3PH
	BH-7801-57	6-0449	1	Contr. Motor Starter, 550V/3PH
14	BH-7800-76	6-0092	1	Strain Relf. Connector, 1/4"
15	BH-7800-78	6-0094	2	Strain Relf. Connector, 1/2"
16	BH-7798-07	6-0096	1	Remote Hand Control
17	BH-7801-50	6-0431	1	Pressure Relief Valve
18	BH-7791-25	1-0103	1	Remote Control Valve
19	BH-7801-53	6-0434	1	Strainer
20	BH-7800-79	6-0097	1	Oil Filter & Tube 12000
22	BH-7791-51	1-0225	1	Rubber Gasket
23	BH-7798-13	6-0032	1	Nut, 1/4"-20
24	BH-7791-26	1-0104	1	Motor Cable
25	BH-7790-39	6-0100	1	Solenoid
26	BH-7790-29	6-0101	1	Solenoid Valve Spool, 12000, 5000 P.S.I.
27	BH-7791-27	1-0150	1	Solenoid Cable
28	BH-7801-51	6-0432	1	Solenoid Cap Nut
29	BH-7800-81	6-0099	1	Filler Cap
30	F-HC-0375-16-1000	6-0067	4	Hex Bolt, 3/8"-16 x 1"
31	call	6-0058	4	Lock Washer
32	F-HC-0250-20-1000	6-0027	4	Hex Bolt, 1/4"-20 x 1"
33	F-LW-0375	6-0056	6	Lock Washer, 3/8"
34	BH-7790-40	6-0145	1	Manual Descend Valve
35	BH-7801-01	6-0144	1	Pressure-time Delay Valve
36	BH-7801-00	6-0141	4	Concrete Nail, 1/4" x 1"
37	BH-7801-42	6-0379	16L	Hydraulic Oil, ISO-32
38	BH-7800-77	6-0093	2	Strain Rel. Conn., 3/8"
39	BH-7801-43	6-0385	1	Anti Slip Diff. Fluid
40	BH-7801-44	6-0405	1	Magnet
41	BH-7801-80	6-0517	1	Oil Sight Level Plug



Model 036 - Turntable Kit Part #00408

Item	SVI part #	OEM #	Req	Description
1	BH-7805-55	10893	8	Tension Spring
2	BH-7805-56	60663	2	Int. Locktooth Washer, 5/8"
3	BH-7805-57	11028	2	Center Bolt
4	BH-7805-58	20633	2	Indicator
5	BH-7805-59	00184	2	9/16" Solid Derlin Balls (30)
6	BH-7805-60	20637	4	Locking Pin Assembly
7	BH-7805-61	30366	2	Top Plate Marker
8	BH-7805-62	60815	4	#10-24 Binder HD. Screw

**TERMS AND CONDITIONS OF THE
SALES ORDER
FOR SVI INTERNATIONAL, INC.**

1. **GENERAL.** The terms and conditions of sales order outlined herein shall apply to the sale by SVI INTERNATIONAL, INC. (hereinafter referred to as "Company") of the items described on the facing page (hereinafter referred to as "Merchandise") to Purchaser.
2. **DELIVERY.** Delivery shall be deemed to be complete when the Merchandise has been shipped F.O.B. Company's plants in DeKalb, Illinois, Duarte, California; and Baltimore, Maryland ("Company's plants"). Shipments are subject to delays from causes or contingencies beyond the reasonable control of the Company. When otherwise not specified, shipments will be made in standard containers via carrier which, in the judgment of the Company, will result in the most practical method. Title and right of possession will pass to the Purchaser upon receipt by the carrier at the shipping point. If a customer of the Company should specify a specific carrier's method of shipment (i.e. UPS Next Day Air) and that carrier does not perform to the customer's expectations, freight credit to a customer's account will not be issued unless the Company can first obtain a credit.
3. **RISK OF LOSS.** Identification of the Merchandise under Uniform Commercial Code (hereinafter referred to as "UCC") Section 2-501 shall take place at the moment of shipment F.O.B. Company's plants. Risk of loss shall pass to the Purchaser when the Merchandise is shipped from the Company's plants.
4. **TITLE.** Title to the merchandise shall transfer to the Purchaser when the Merchandise is shipped from the Company's plants.
5. **WARRANTIES.** The Company guarantees its products to be free from defects in workmanship and raw materials for a period of one year from date of purchase. THIS WARRANTY IS EXPRESSLY IN LIEU OF ANY AND ALL WARRANTIES EXPRESS OR IMPLIED. COMPANY DOES NOT WARRANT THE MERCHANDISE IS MERCHANTABLE OR FIT FOR ANY PARTICULAR PURPOSE. Company's liability for breach of the terms of this Agreement, including any warranty, is limited to either refund of the invoice price of the Merchandise or at Company's option, replacement of the Merchandise free of charge, including transportation charges but not including the cost of labor. Purchaser has not relied on any statement or upon the conduct of Company with respect to the prospective use of the merchandise. Company shall not be liable for and Purchaser waives any and all claims for any loss or damage, directly or indirectly, arising from the use of the Merchandise and for punitive, incidental or consequential damages, including, but not limited to, damages to property, for loss of use, loss of time, loss of profit or loss of income. The Company does not authorize the sale of our products under any other warranty, expressed or implied.
6. **SETOFF.** All claims for money due or to become due from the Company shall be subject to deduction by the Company for any setoff or counterclaim arising out of this or any other claims of the Company or its affiliated companies, whether such setoff or counterclaim arose before or after any assignment by Purchaser.
7. **INDEMNIFICATION.** Purchaser agrees to indemnify the Company and hold it harmless from and against all claims, liability, loss, damage or expense, including reasonable counsel fees, arising from or by reason of any modifications or alterations made by Purchaser. If a customer of the Company modifies or alters any part, in any manner whatsoever, or uses any part in departure from recommended performance specifications, said customer agrees to indemnify and hold the Company harmless from and against all liability and expenses based on damage to property or injury to or death of any person arising out of or attributable to such modified or altered part. Further, the Company will not accept any such modified or altered part for credit to a customer's account.
8. **FREIGHT POLICY.** Freight charges on individual orders less than \$3,000 in net value are prepaid and added to invoice or collect F.O.B. shipping point. Freight charges (standard ground service and continental US only) on individual orders more than \$3,000 net value are paid by the Company F.O.B. shipping point. Note: customers with C.O.D. terms are responsible for all carrier C.O.D. fees regardless of order net value.
9. **RETURN POLICY.** To return parts for credit or inspection Purchaser must first contact the Company to obtain a Return Goods Authorization number (RGA#). Once Purchaser has obtained an RGA# the parts can be returned freight prepaid only. The RGA# must be on the outside of the container in a highly visible location. All parts must be returned freight prepaid and the shipment must include a letter of explanation giving the specific reason for return including details as to the conditions under which the part or parts operated. Note: parts returned without an RGA#, freight collect or without written explanation may be refused. Parts which have been used in any way or manner, including any installation or incorporation into a lift or hoist, shall NOT be eligible for return whether or not an RGA has been assigned.
10. **RESTOCK CHARGE.** Returns are subject to up to twenty-five (25%) restocking charge. Refusals are subject to the same restocking charge plus the cost of outbound and return freight charges and/or fees incurred by the Company due to shipment refusal.
11. **PRICES AND PAYMENTS.** All prices are subject to change without notice. All prices are F.O.B. shipping point. The Company standard terms are net 30 days, C.O.D. company check, C.O.D. cash, VISA, MasterCard, Discover or American Express. However, if in the judgment of the Company, the financial condition of the Purchaser at any time does not justify shipment according to standard terms of payment, the Company may require full or partial payment in advance.
12. **INTERPRETATION.** This sales order is intended by the parties as a complete and exclusive statement of the terms of their agreement. It supersedes all prior agreements, written or oral. No course of prior dealings between the parties and no usage of the trade shall be relevant to supplement or explain any terms used in this sales order. Acceptance or acquiescence in a course of performance rendered under this purchase order shall not be relevant to determine the meaning of this sales order even though the accepting or acquiescing party has knowledge of the nature of the performance and opportunity for objection. Whenever a term defined by the UCC is used in this sales order the definition contained in the UCC shall control.
13. **MODIFICATION.** This sales order can be modified or rescinded only by a writing signed by both parties.
14. **WAIVER.** No claim or right arising out of a breach of this sales order can be discharged in whole or in part by a waiver or renunciation of the claim or right unless such waiver or renunciation is supported by consideration and is in writing signed by the aggrieved party.
15. **ASSIGNMENT.** No right or interest in this sales order shall be assigned by either party without the written consent of the other and no delegation of any obligation owed, or of the performance of any obligation by either the Company or Purchaser shall be made without the written consent of the other party. Any attempted assignment or delegation not made in conformity with this paragraph shall be wholly void and totally ineffective for all purposes.
16. **TIME TO PERFORM AND BRING ACTION.** Time is of the essence of this sales order. Any action for breach of this sales order shall be commenced within two (2) years after the cause of action has accrued. Any party who loses any litigation shall reimburse the other party for costs including reasonable attorneys fees. The exclusive jurisdiction for any legal action shall be the Circuit Court of DeKalb County, Illinois.
17. **APPLICABLE LAW.** This sales order shall be governed by the UCC of Illinois as effective and in force on the date of this sales order.

Offering the Best in Automotive Lift Repair Parts and More!

Auto Lift Cables • Auto Lift Parts • Brake Lathe Repair Parts

Compressed Air Repair Parts • Exhaust System Products • Fluid Delivery Repair Parts

Lubrication Equipment Repair Parts • Repair Parts for Gasboy Consumer Series

Service Station Pump and Tank Products • SVI Misc Auto Lift Products and Catalogs

Tire Changer Repair Parts • Vehicle Lifting Systems • Wheel Balancer Accessories

Serving the Industry Since 1977 • Same-Day Shipping



SVI International, Inc.

(800) 321-8173 • fax: (800) 899-1784

155 Harvestore Drive • DeKalb, IL 60115

www.sviinternational.com

BALTIMORE • CHICAGO • LOS ANGELES

While the utmost care has been used in compiling this reference material, we assume no responsibility for errors. Specifications are subject to change without notice. This edition supersedes all previous editions or issues. SVI reference material is subject to change without notice. All rights reserved.