

Automotive Lift

R E P A I R P A R T S



SVI International, Inc.
(800) 321-8173 • fax: (800) 899-1784
155 Harvestore Drive • DeKalb, IL 60115
www.sviinternational.com

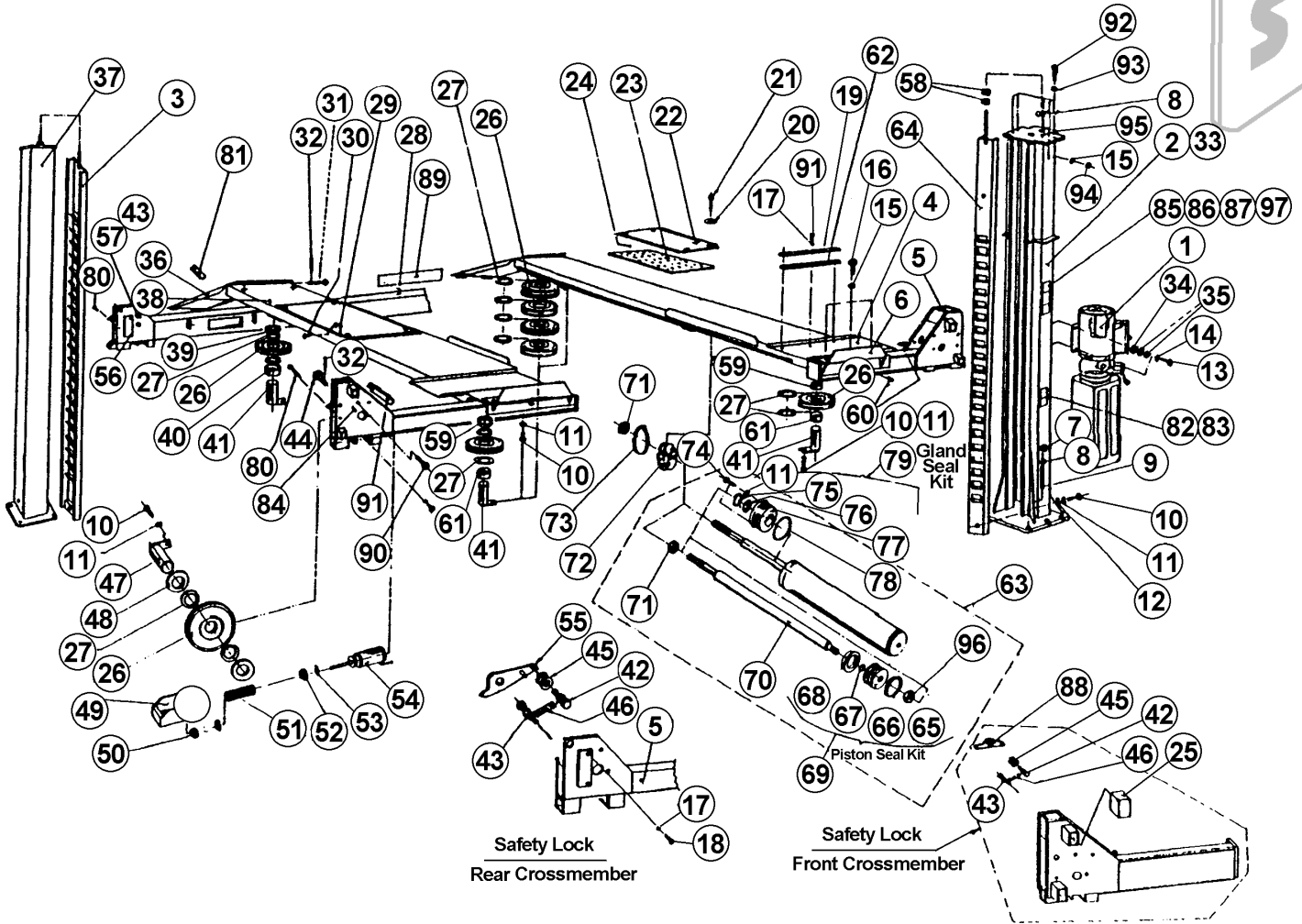
BALTIMORE • CHICAGO • LOS ANGELES

Repair Parts for: **Wheeltronic**

Repair Parts for:
Wheeltronic

LRC7790B

Quad Rack, Model 12407



Item	SVI part #	OEM #	Req	Description
1	BH-7804-16	6-1398	1	Power Pack, 230V/1PH
2	BH-7799-89	4-0429	1	L.H. Power Post
3	BH-7790-37	3-0487	2	Safety Rack (Rear)
4	BH-7799-38	4-0183	1	L.H. Alignment Deck
5	BH-7799-74	4-0366	1	L.H. Front Crossmember
6	BH-7795-04	2-0998	2	Front Wheel Stop
7	F-HN-0750-10	6-0737	22	Hex Nut, 3/4"-10
8	F-FW-0750-USS	6-0738	26	Flat Washer, 3/4"
9	BH-7798-77	6-1379	22	Wedge Anchor, 3/4"-10 x 5-1/2"
10	F-HC-0375-16-1000	6-0668	14	Hex Hd. Bolt, 3/8"-16 x 1" Gr. 8
11	F-LW-0375	6-0058	16	Lock Washer, 3/8"
12	F-FW-0375-USS	6-0062	6	Flat Washer, 3/8"
13	F-HC-0312-18-1000	6-0293	4	Hex Hd. Bolt, 5/16"-18 x 1"
14	F-LW-0312	6-0674	4	Lock Washer, 5/16"
15	F-LW-0500	6-0059	16	Lock Washer, 1/2"
16	F-HC-0500-13-1000	6-0045	6	Hex Hd. Bolt, 1/2"-13 x 1"
17	F-LW-0250	6-0056	20	Lock Washer, 1/4"
18	F-HC-0250-20-0750	6-078	8	Hex Hd. Bolt, 1/4"-20 x 3/4"
19	BH-7794-35	2-0635	4	Retaining Bar
20	call	6-0426	8	Flat Washer, 2" x 13/32" x 3/32"
21	call	6-0069	8	Shoulder Bolt, 3/8" x 5/8"
22	BH-7796-49	3-0197	2	Full Floating Rear Slip Plate

Item	SVI part #	OEM #	Req	Description
23	BH-7790-34	3-0196	2	Bearing Cage
24	BH-7790-35	6-0829	1 set	1/4" Ball Bearing
25	BH-7790-19	2-0772	8	Glide Bearing
26	BH-7794-19	2-0557	11	Sheave Assembly
27	BH-7792-15	1-0757	21	Nylon Thrust Washer
28	BH-7799-41	4-0188	1	Rear Crossmember
29	BH-7794-37	2-0637	4	Locking Pin Assembly
30	call	6-0505	4	Self Tap. Screw, #10 x 1/2"
31	BH-7791-19	1-0095	2	Ramp Pin
32	BH-7798-76	6-0115	6	Cotter Pin, 1/8" x 2"
33	BH-7799-90	4-0430	1	Post Weldment, F.R.
34	call	6-0294	4	Hex Nut, 5/16" Gr. 5
35	BH-7798-12	6-0295	8	Flat Washer, 5/16"
36	BH-7796-61	3-0285	2	Approach Ramp
37	BH-7796-80	3-0347	2	Rear Post
38	BH-7799-39	4-0184	1	Alignment Deck, R.H.
39	BH-7792-27	1-0798	1	Sheave-Spacer, 2-1/2"
40	BH-7792-26	1-0788	1	Sheave-Spacer, 1-1/4"
41	BH-7794-23	2-0566	4	Deck Sheave Pin
42	BH-7790-31	6-0801	4	Shoulder Bolt, 3/8" x 1-1/2"
43	call	6-0729	8	Shoulder Bolt, 3/8" x 3/4"
44	BH-7792-91	1-1234	4	Lock Safety Pin

P
a
g
e

All names, numbers, symbols and descriptions are used for reference purposes only. It is not implied that any part listed is the product of these manufacturers; however, some parts may be the actual product of these manufacturers.

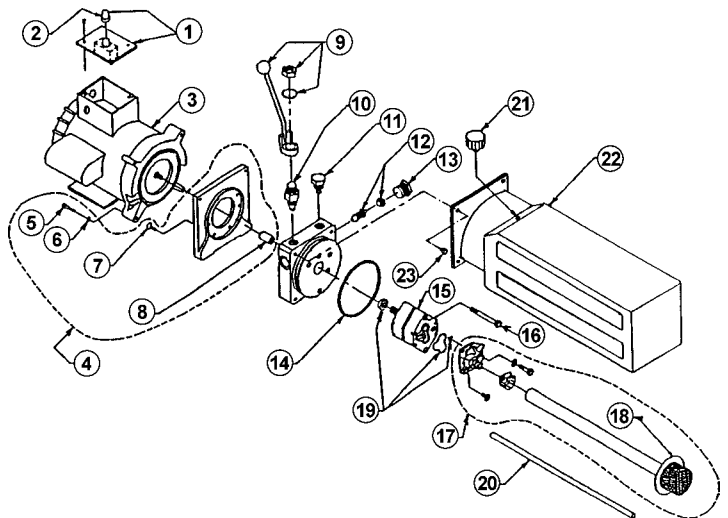
Quad Rack, Model 12407 (continued)

Item	SVI part #	OEM #	Req	Description
45	BH-7790-32	1-0766	4	Cable Roller
46	BH-7792-19	1-0768	4	Tension Spring
47	BH-7792-92	1-1237	4	Crossmember Sheave Pin
48	BH-7792-24	1-0786	8	Sheave Spacer, 3/8"
49	BH-7790-38	2-0990	4	Safety Shoe Weldment
50	F-NL-0250-28	6-1563	4	Hex Nylon Lock Nut, 1/4"-28
51	BH-7792-18	1-0767	4	Compression Spring
52	F-HN-0625-18	6-0662	4	Hex Nut, 5/8"-18
53	call	6-0063	4	5/8" Int. Tooth Lock Washer
54	BH-7798-03	6-0651	4	Air Cyl. (Clippard #SRR-12-2-SP: 5-1/2" Rod Ext.)
55	BH-7794-24	2-0567	2	Lock Safety
56	BH-7792-22	1-0775	4	Plastic Bracket
57	BH-7792-23	1-0776	4	Plastic Guide
58	F-HN-0625-11	6-0673	8	Hex Nut, 5/8"-11 Gr. 8
59	BH-7792-28	1-0799	2	Sheave-Spacer, 1-3/4"
60	F-SS-0500-13-1000	6-0726	8	Set Screw, 1/2"-13 x 1" Gr. 8
61	BH-7792-58	1-0943	2	Sheave-Spacer, 2"
62	BH-7794-36	2-0636	4	Spacer Bar
63	BH-7799-79	4-0393	1	Hydraulic Cylinder, 3.5"
64	BH-7797-36	3-0581	2	Safety Rack
65	BH-7800-55	6-0004	1	Wear Ring, 3/8" x 1/8" x 3-1/2"
66	BH-7795-11	2-1035	1	Piston
67	BH-7804-36	6-1585	1	"O" Ring, 1-1/4" x 1" x 1/8"
68	BH-7800-54	6-0003	1	Piston Seal, 3-1/2" x 3" x 3/8"
69	BH-7790-81	0-0241	1	Piston Seal Kit
70	BH-7795-12	2-1036	1	Piston Rod (Machined)
71	call	6-1454	2	Hex Nut, 1-1/4"-12 UNF-2A

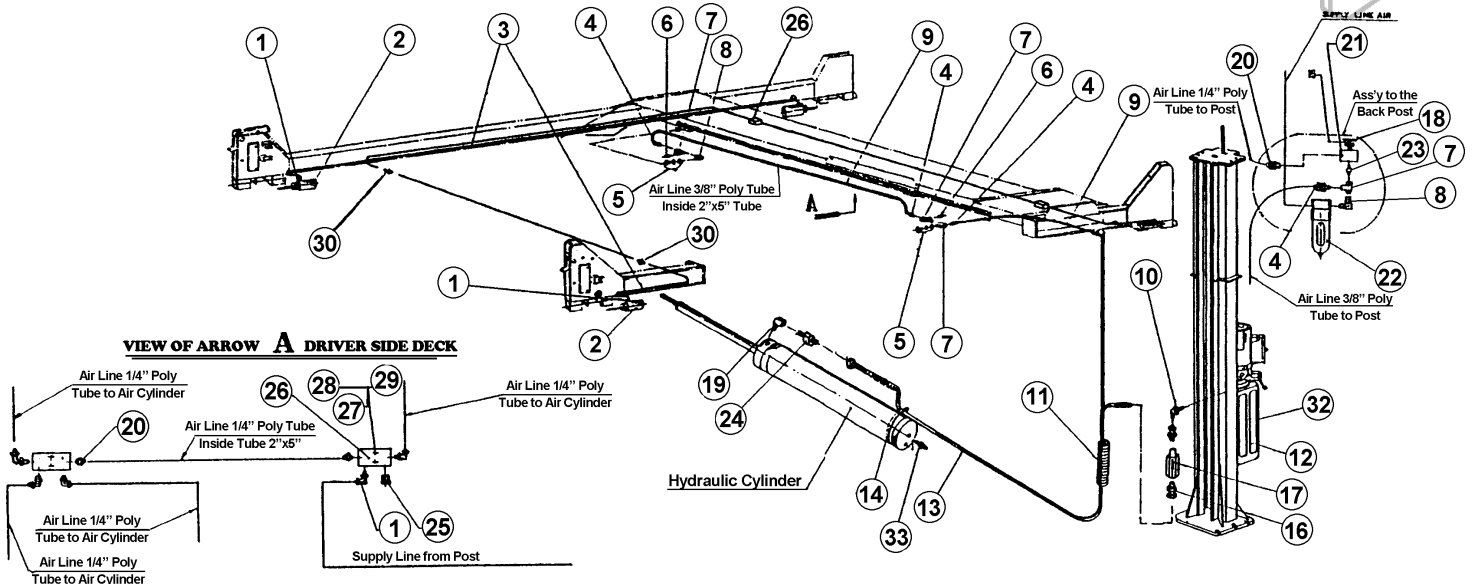
Item	SVI part #	OEM #	Req	Description
72	BH-7795-13	2-1037	1	Cable Flange
73	BH-7801-96	6-0665	1	Hose Clamp, 4-1/2"
74	F-HC-0375-16-1250	6-0666	2	Hex Bolt, 3/8"-16 x 1-1/4" Gr. 8
75	BH-7805-47	6-1303	1	Rod Wiper, 1-1/2" x 1-7/8"
76	BH-7804-02	6-1304	1	Rod Seal, 1-1/2" x 1-7/8" x 3/16"
77	BH-7797-17	3-0522	1	Gland
78	BH-7801-94	6-0655	1	"O" Ring, 3-1/2" x 1/8"
79	BH-7790-83	0-0242	1	Gland Seal Kit
80	F-HC-0375-16-3000	6-1386	4	Hex Hd. Bolt, 3/8"-16 x 3"
81	BH-7795-03	2-0997	4	Sheave Cover
82	BH-7805-125	6-1306	1	Serial Tag
83	BH-7805-126	6-0988	1	"ALI" Plate
84	BH-7799-75	4-0368	1	R.H. Front Crossmember
85	BH-7805-97	6-0592	1	"Caution" Decal
86	BH-7805-115	6-0351	1	"Safety Instructions" Decal
87	BH-7805-96	6-0595	1	"Warning" Decal
88	BH-7794-99	2-0980	2	Lock Safety
89	BH-7805-46	6-1125	1	"Caution" Tape, (40" Lg)
90	F-HC-0500-13-3000	6-1381	2	Hex Hd. Bolt, 1/2"-13 x 3"
91	F-HC-0250-20-1250	6-0027	12	Hex Hd. Bolt, 1/4"-20 x 1-1/4"
92	F-HC-0500-13-2000	6-0769	10	Hex Hd. Bolt, 1/2"-13 x 2"
93	F-FW-0500-SAE	6-0248	10	Flat Washer, 1/2"
94	F-HN-0500-13	6-0035	10	Hex Nut, 1/2"-13
95	BH-7795-28	2-1125	2	Top Plate
96	F-LN-1250-12	6-1453	1	Lock Nut, 1-1/4"-12
97	BH-7805-116	6-1637	1	"Attention" Decal

Power Pack

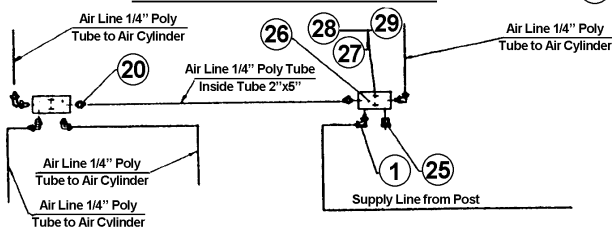
Item	SVI part #	OEM #	Req	Description
1	BH-7802-93	6-0881	1	Microswitch
2	BH-7803-68	6-1084	1	Microswitch Boot
3	BH-7802-53	6-0773	1	Motor 230V AC, 1 PH. 60 Hz
4	BH-7805-14	0-0197	1	Motor Adapter Kit
5	F-SC-0250-20-1625	6-1085	4	Skt. Hd. Capscrew 1/4"-20 x 1-5/8"
6	F-LW-0250	6-0056	4	Lock Washer, 1/4"
7	BH-7806-25	6-1086	4	Allen Hd. Flat Screw, 1/4"-20 x 3/4"
8	BH-7802-54	6-0774	1	Coupling
9	BH-7802-56	6-0776	1	Release Bracket & Handle Assembly
10	BH-7802-92	6-0880	1	Valve Cartridge Release
11	BH-7803-69	6-1087	1	Valve Cartridge Check
12	BH-7804-04	6-1317	1	Fixed Relief Valve (RV 17)
13	BH-7803-71	6-1089	1	Relief Valve Cap
14	BH-7802-87	6-0875	1	Reservoir "O" Ring
15	BH-7802-60	6-0782	1	Pump Assembly
16	BH-7803-72	6-1090	2	Pump Mounting Bolt
17	BH-7790-76	0-0198	1	Inlet Plumbing Kit
18	BH-7802-64	6-0786	1	Inlet Hose/Filter Assembly
19	BH-7790-77	0-0199	1	Pump "O" Ring Kit
20	BH-7802-61	6-0783	1	Return Tube
21	BH-7804-13	6-1376	1	Breather Filler Cap (Plastic)
22	BH-7804-17	6-1399	1	Reservoir
23	BH-7803-73	6-1091	4	Reservoir Screw



Quad Rack, Model 12407 (continued)



VIEW OF ARROW A DRIVER SIDE DECK



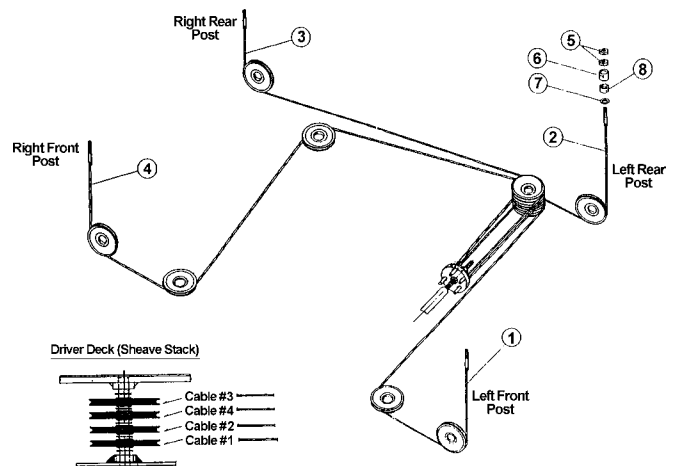
Hydraulics

Item	SVI part #	OEM #	Req	Description
1	BH-7802-31	6-0709	9	90° Elbow, 1/8" NPT x 1/4" Poly Tube
2	BH-7798-03	6-0651	4	Air Cylinder
3	BH-7802-28	6-0706	50'	1/4" Poly Tube
4	BH-7802-32	6-0710	4	Adapter, 3/8" Poly Tube x 1/4" NPT
5	BH-7802-33	6-0713	2	Terminal Bolt, 3/4"
6	BH-7801-31	6-0282	2	Plug, 1/4" NPT
7	BH-7800-62	6-0014	4	1/4" NPT Street Tee
8	BH-7800-63	6-0015	2	1/4" NPT Street Elbow
9	BH-7802-29	6-0707	25'	3/8" Poly Tube
10	BH-7798-45	6-0804	1	90° Elbow, 3/8" JIC M x 9/16" M
11	BH-7802-34	6-0714	4'	Hose Guard
12	BH-7801-91	6-0650	1	Power Pack 230V/1PH
13	BH-7802-35	6-0715	1	Hyd. Hose Assy, 3/8" Swivel x 3/8" JIC M, 147"
14	BH-7802-41	6-0731	3	Cable Tie
15	call	6-1051	1	Socket Hd. Set Screw
16	BH-7802-68	6-0797	2	Adpt., 3/8" NPT M x 3/8" JIC F Swivel

Item	SVI part #	OEM #	Req	Description
17	BH-7800-74	6-0090	1	Flow Control
18	BH-7803-51	6-1052	1	Button
19	BH-7802-67	6-0796	1	90° Elbow, 1/4" NPT M x 3/8" NPT F
20	BH-7802-30	6-0708	3	Adpt., 1/4" Poly Tube x 1/8" NPT
21	BH-7803-52	6-1055	1	Air Valve Assembly
22	BH-7801-13	6-0180	1	Air Filter
23	BH-7805-48	6-1382	1	Adpt., 1/4" NPT M x 1/8" NPT M
24	BH-7790-20	6-0025	1	Velocity Fuse
25	BH-7801-14	6-0182	1	Plug, 1/8" NPT
26	BH-7792-65	1-1057	2	Manifold
27	F-HC-0250-20-2000	6-0177	4	Hex Hd. Capscrew, 1/4"-20 x 2"
28	BH-7798-13	6-0032	4	Hex Nut, 1/4"-20
29	F-LW-0250	6-0056	4	Lock Washer, 1/4"
30	BH-7802-43	6-0747	2	1/4" Poly Tube Adpt.
32	BH-7805-118	6-0593	1	"Lift Operation" Decal
33	BH-7801-30	6-0280	1	Adpt. 1/8" NPT M x 1/4" JIC M

Cable Routing

Item	SVI part #	OEM #	Req	Description
1	BH-7795-54	2-1287	1	Cable Assembly, 387" L.F.
2	BH-7794-15	2-0540	1	Cable Assembly, 178" L.R.
3	BH-7794-16	2-0541	1	Cable Assembly, 234" R.R.
4	BH-7795-55	2-1288	1	Cable Assembly, 442" R.F.
5	F-HN-0875-14	6-0724	8	Hex Nut, 7/8"-14 UNF, Gr. 8
6	BH-7792-29	1-0800	4	Cable Spacer, 2"
7	F-FW-0875-USS	6-0725	4	Flat Washer, 7/8"
8	BH-7792-30	1-0801	4	Cable Spacer, 1"



**TERMS AND CONDITIONS OF THE
SALES ORDER
FOR SVI INTERNATIONAL, INC.**

1. **GENERAL.** The terms and conditions of sales order outlined herein shall apply to the sale by SVI INTERNATIONAL, INC. (hereinafter referred to as "Company") of the items described on the facing page (hereinafter referred to as "Merchandise") to Purchaser.
2. **DELIVERY.** Delivery shall be deemed to be complete when the Merchandise has been shipped F.O.B. Company's plants in DeKalb, Illinois, Duarte, California; and Baltimore, Maryland ("Company's plants"). Shipments are subject to delays from causes or contingencies beyond the reasonable control of the Company. When otherwise not specified, shipments will be made in standard containers via carrier which, in the judgment of the Company, will result in the most practical method. Title and right of possession will pass to the Purchaser upon receipt by the carrier at the shipping point. If a customer of the Company should specify a specific carrier's method of shipment (i.e. UPS Next Day Air) and that carrier does not perform to the customer's expectations, freight credit to a customer's account will not be issued unless the Company can first obtain a credit.
3. **RISK OF LOSS.** Identification of the Merchandise under Uniform Commercial Code (hereinafter referred to as "UCC") Section 2-501 shall take place at the moment of shipment F.O.B. Company's plants. Risk of loss shall pass to the Purchaser when the Merchandise is shipped from the Company's plants.
4. **TITLE.** Title to the merchandise shall transfer to the Purchaser when the Merchandise is shipped from the Company's plants.
5. **WARRANTIES.** The Company guarantees its products to be free from defects in workmanship and raw materials for a period of one year from date of purchase. THIS WARRANTY IS EXPRESSLY IN LIEU OF ANY AND ALL WARRANTIES EXPRESS OR IMPLIED. COMPANY DOES NOT WARRANT THE MERCHANDISE IS MERCHANTABILITY OR FIT FOR ANY PARTICULAR PURPOSE. Company's liability for breach of the terms of this Agreement, including any warranty, is limited to either refund of the invoice price of the Merchandise or at Company's option, replacement of the Merchandise free of charge, including transportation charges but not including the cost of labor. Purchaser has not relied on any statement or upon the conduct of Company with respect to the prospective use of the merchandise. Company shall not be liable for and Purchaser waives any and all claims for any loss or damage, directly or indirectly, arising from the use of the Merchandise and for punitive, incidental or consequential damages, including, but not limited to, damages to property, for loss of use, loss of time, loss of profit or loss of income. The Company does not authorize the sale of our products under any other warranty, expressed or implied.
6. **SETOFF.** All claims for money due or to become due from the Company shall be subject to deduction by the Company for any setoff or counterclaim arising out of this or any other claims of the Company or its affiliated companies, whether such setoff or counterclaim arose before or after any assignment by Purchaser.
7. **INDEMNIFICATION.** Purchaser agrees to indemnify the Company and hold it harmless from and against all claims, liability, loss, damage or expense, including reasonable counsel fees, arising from or by reason of any modifications or alterations made by Purchaser. If a customer of the Company modifies or alters any part, in any manner whatsoever, or uses any part in departure from recommended performance specifications, said customer agrees to indemnify and hold the Company harmless from and against all liability and expenses based on damage to property or injury to or death of any person arising out of or attributable to such modified or altered part. Further, the Company will not accept any such modified or altered part for credit to a customer's account.
8. **FREIGHT POLICY.** Freight charges on individual orders less than \$3,000 in net value are prepaid and added to invoice or collect F.O.B. shipping point. Freight charges (standard ground service and continental US only) on individual orders more than \$3,000 net value are paid by the Company F.O.B. shipping point. Note: customers with C.O.D. terms are responsible for all carrier C.O.D. fees regardless of order net value.
9. **RETURN POLICY.** To return parts for credit or inspection Purchaser must first contact the Company to obtain a Return Goods Authorization number (RGA#). Once Purchaser has obtained an RGA# the parts can be returned freight prepaid only. The RGA# must be on the outside of the container in a highly visible location. All parts must be returned freight prepaid and the shipment must include a letter of explanation giving the specific reason for return including details as to the conditions under which the part or parts operated. Note: parts returned without an RGA#, freight collect or without written explanation may be refused. Parts which have been used in any way or manner, including any installation or incorporation into a lift or hoist, shall NOT be eligible for return whether or not an RGA has been assigned.
10. **RESTOCK CHARGE.** Returns are subject to up to twenty-five (25%) restocking charge. Refusals are subject to the same restocking charge plus the cost of outbound and return freight charges and/or fees incurred by the Company due to shipment refusal.
11. **PRICES AND PAYMENTS.** All prices are subject to change without notice. All prices are F.O.B. shipping point. The Company standard terms are net 30 days, C.O.D. company check, C.O.D. cash, VISA, MasterCard, Discover or American Express. However, if in the judgment of the Company, the financial condition of the Purchaser at any time does not justify shipment according to standard terms of payment, the Company may require full or partial payment in advance.
12. **INTERPRETATION.** This sales order is intended by the parties as a complete and exclusive statement of the terms of their agreement. It supersedes all prior agreements, written or oral. No course of prior dealings between the parties and no usage of the trade shall be relevant to supplement or explain any terms used in this sales order. Acceptance or acquiescence in a course of performance rendered under this purchase order shall not be relevant to determine the meaning of this sales order even though the accepting or acquiescing party has knowledge of the nature of the performance and opportunity for objection. Whenever a term defined by the UCC is used in this sales order the definition contained in the UCC shall control.
13. **MODIFICATION.** This sales order can be modified or rescinded only by a writing signed by both parties.
14. **WAIVER.** No claim or right arising out of a breach of this sales order can be discharged in whole or in part by a waiver or renunciation of the claim or right unless such waiver or renunciation is supported by consideration and is in writing signed by the aggrieved party.
15. **ASSIGNMENT.** No right or interest in this sales order shall be assigned by either party without the written consent of the other and no delegation of any obligation owed, or of the performance of any obligation by either the Company or Purchaser shall be made without the written consent of the other party. Any attempted assignment or delegation not made in conformity with this paragraph shall be wholly void and totally ineffective for all purposes.
16. **TIME TO PERFORM AND BRING ACTION.** Time is of the essence of this sales order. Any action for breach of this sales order shall be commenced within two (2) years after the cause of action has accrued. Any party who loses any litigation shall reimburse the other party for costs including reasonable attorneys fees. The exclusive jurisdiction for any legal action shall be the Circuit Court of DeKalb County, Illinois.
17. **APPLICABLE LAW.** This sales order shall be governed by the UCC of Illinois as effective and in force on the date of this sales order.

Offering the Best in Automotive Lift Repair Parts and More!

Auto Lift Cables • Auto Lift Parts • Brake Lathe Repair Parts

Compressed Air Repair Parts • Exhaust System Products • Fluid Delivery Repair Parts

Lubrication Equipment Repair Parts • Repair Parts for Gasboy Consumer Series

Service Station Pump and Tank Products • SVI Misc Auto Lift Products and Catalogs

Tire Changer Repair Parts • Vehicle Lifting Systems • Wheel Balancer Accessories

Serving the Industry Since 1977 • Same-Day Shipping



SVI International, Inc.

(800) 321-8173 • fax: (800) 899-1784

155 Harvestore Drive • DeKalb, IL 60115

www.sviinternational.com

BALTIMORE • CHICAGO • LOS ANGELES

While the utmost care has been used in compiling this reference material, we assume no responsibility for errors. Specifications are subject to change without notice. This edition supersedes all previous editions or issues. SVI reference material is subject to change without notice. All rights reserved.