

Automotive Lift

R E P A I R P A R T S



SVI International, Inc.
(800) 321-8173 • (815) 748-0200
155 Harvestore Drive • DeKalb, IL 60115
www.sviinternational.com

BALTIMORE • CHICAGO • LOS ANGELES

Repair Parts for: **Weaver**

Repair Parts for:
Weaver



**Custom Adapters
Available!
Call for a quote!**

Front Plunger Adapters for Weaver Fore and Aft Lifts

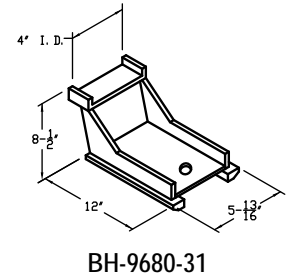
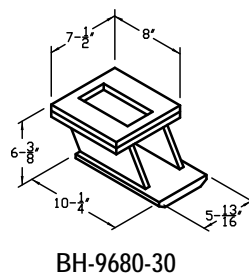
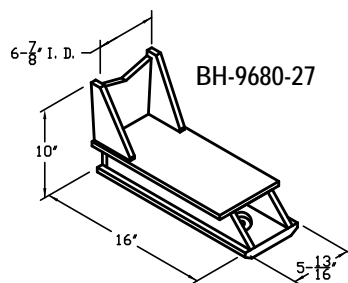
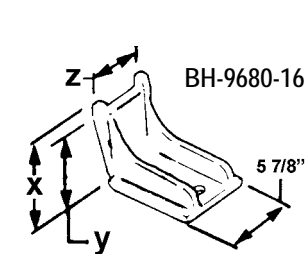
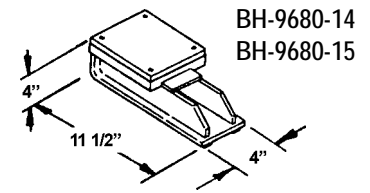
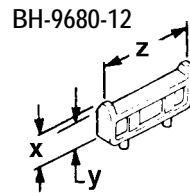
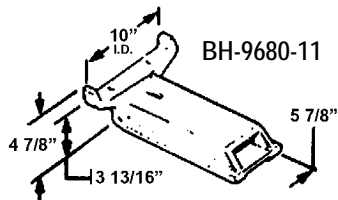
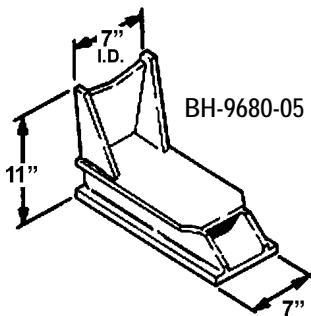
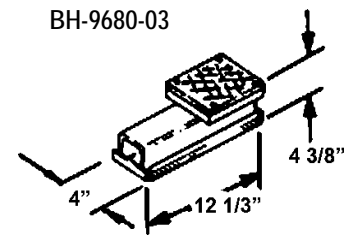
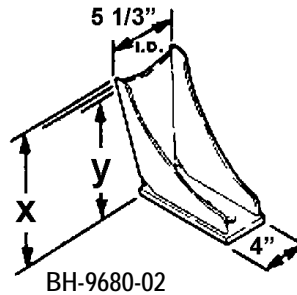
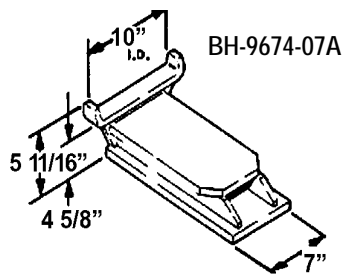
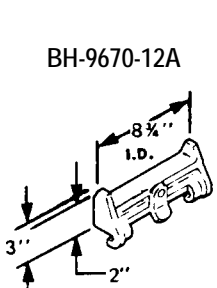
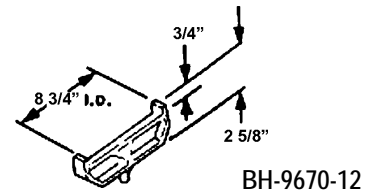
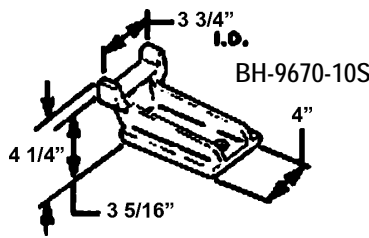
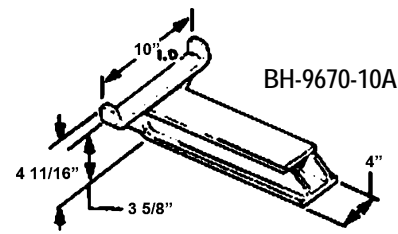
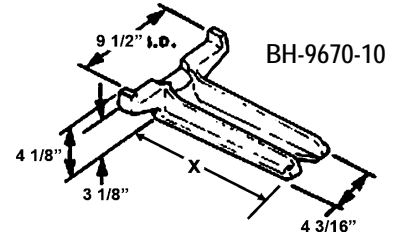
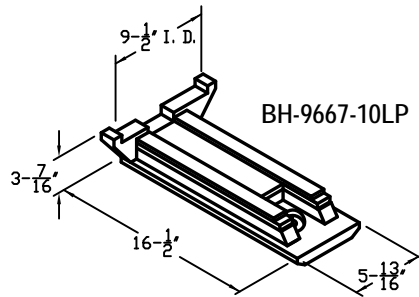
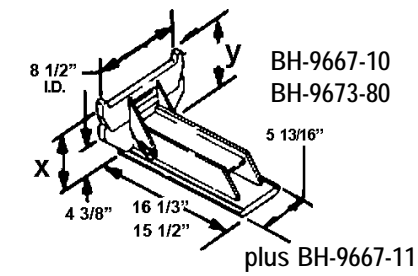
See the following page for images of Front Plunger Adapters

SVI part #	Description	Ref. OEM	Used on Lift Model	x	y	z
BH-9667-10	New Style Front Adapter Assembly	1084777 KL-266	EC-105/106 / 10-5/8" Front Plungers			
BH-9667-10LP	Front Adapter 4" Tall Low Profile		EC-105/106 / 10-5/8" Front Plungers			
BH-9667-11	Extra Height Adapter Insert Flip-Up 3-3/4"	1084758 KL-266	insert for SVI # BH-9667-10	7-3/8	8-1/4	
BH-9667-11A	Extra Height Adapter Insert Flip-Up 4-1/2"	1084768	insert for SVI # BH-9667-10	8-1/8	9	
BH-9667-11B	Extra Height Adapter Insert Flip-Up 5-3/8"		insert for SVI # BH-9667-10	9	9-7/8	
BH-9667-11C	Extra Height Adapter Insert		insert for SVI # BH-9667-10	10-5/8	11-1/2	
BH-9670-10	Standard Front Adapter for use with 35-1/4" saddle	M-2046	EC-100/102/103/202/203 / 7-1/2" Front Plungers	14-3/8		
BH-9670-10A	Standard Front Adapter for Independent Suspensions	AS-17739	EC-107/108 / 7-1/2" Front Plungers			
BH-9670-10L	Adapter - 2" Longer	M-2046	EC-100/102/103/202/203 / 7-1/2" Front Plungers	16-3/8		
BH-9670-10S	Standard Front Adapter for Straight Axles	M-2263	All / 7-1/2" Front Plungers			
BH-9670-12	Standard Front Adapter Insert	A-2057	for SVI Part # BH-9670-10			
BH-9670-12A	Front Adapter Insert for EC-107/108	A-2086	for SVI Part # BH-9670-10A			
BH-9673-80	Standard Front Adapter for 12-5/8" Moveable Posts	KL-318 1084006	MC-320/321 / 12-5/8" Front Plungers			
BH-9674-07A	Standard Front Adapter for 10-5/8" Dual Front Plungers	AS-18717	MC-306/308 / EC-106-4 Dual Front			
BH-9680-02	Special Front Adapter for Four Wheel Drive Vehicles	AS-12241 KL-124	All Models / 7-1/2" Front Plungers	9-1/8	8-1/4	
BH-9680-02A	Special Front Adapter for Four Wheel Drive Vehicles 10-5/8"		All Models / 10-5/8" Front Plungers	11-5/8	10-3/4	
BH-9680-03	Special Front Pad Adapters	1083023 KL-249	EC-102/103/203 / 7-1/2" Front Plungers			
BH-9680-03	Special Front Pad Adapters	1083023 KL-249	EC-102/103/203 / 7-1/2" Front Plungers			
BH-9680-05	Four Wheel Drive Adapter for 10-5/8" Dual Front Plungers	AS-20182	MC-306/308 / Dual Front Plungers			
BH-9680-11	Old Style Front Adapter	M-2152	EC-193/194/196/197/105/106 / 10-5/8" Front Plungers			
BH-9680-12	Old Style Height Extension 4"	AS-20702	for SVI Part # BH-9680-11	4	3	8-3/4
BH-9680-12-5	Old Style Height Extension 5"	AS-20702x	for SVI Part # BH-9680-11	5	4	9
BH-9680-14	Special Front Pad Adapters	1086270 KL-273	EC-107/108 / 7-1/2" Front Plungers			
BH-9680-15	Replacement Rubber Pads		EC-107/108 / 7-1/2" Front Plungers			
BH-9680-16	Special Old Style Straight Axle Adapter	2202	EC-105/106 / 10-5/8" Front Plungers KL-265	6-3/4	5-3/4	4
BH-9680-16SPL			EC-105/106 / 10-5/8" Front Plungers	9	8	5
BH-9680-16T	Special Old Style Straight Axle Adapter - 1-1/2" taller	2202x	EC-105/106 / 10-5/8" Front Plungers	8	7	4
BH-9680-27	Special Front Adapter 10" High Clearance		10-5/8" Front Plungers			
BH-9680-30	10-5/8" Front or Rear Moveable Adapter		10-5/8" Front Plungers			
BH-9680-31	SSpecial Straight Axle Adapter Extended R & A		10-5/8" Front Plungers			



Front Plunger Adapters for Weaver Fore and Aft Lifts (continued)

Need a custom adapter?
Call for a quote!!



Page

Please Note: Where the O.E.M. number is a KL number or an EC number this indicates a kit with two or more of the components listed. SVI sells these adapters individually. Please order the quantity needed using the SVI part number or call SVI for assistance.

All names, numbers, symbols and descriptions are used for reference purposes only. It is not implied that any part listed is the product of these manufacturers; however, some parts may be the actual product of these manufacturers.

**Custom Adapters
Available!
Call for a quote!**

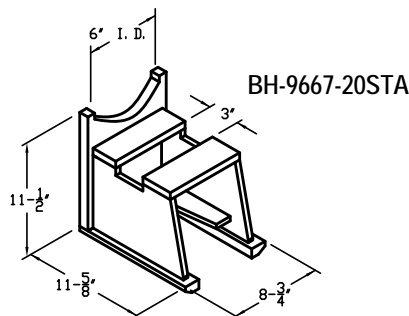
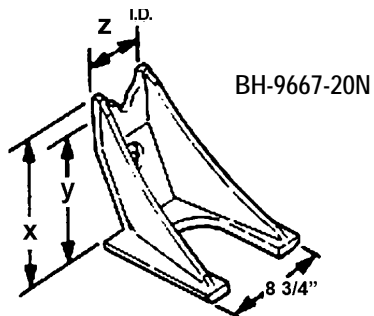
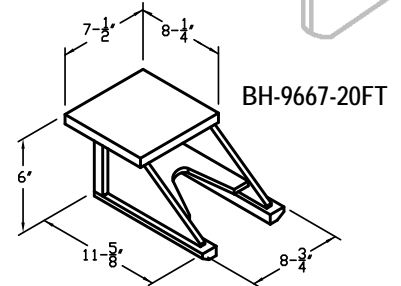
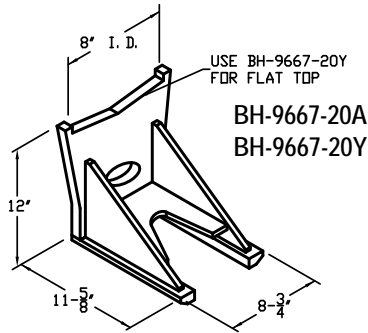
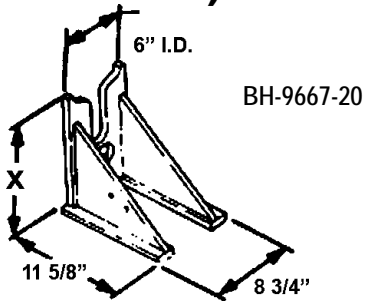
Rear Plunger Adapters for Weaver Fore and Aft Lifts

See the following two pages for images of Rear Plunger Adapters

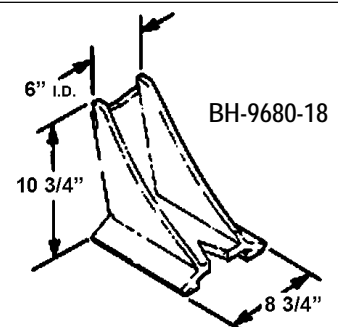
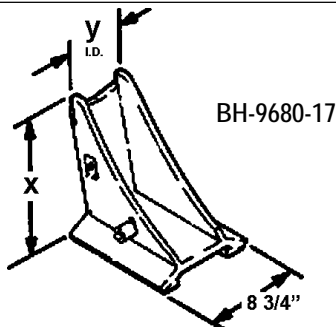
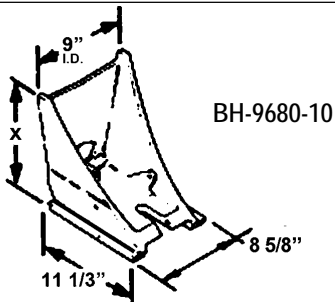
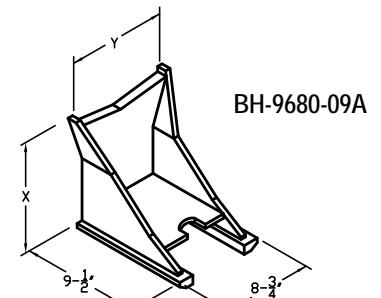
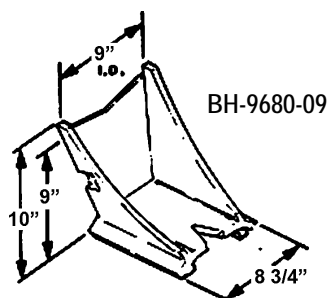
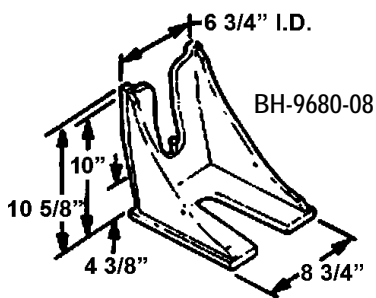
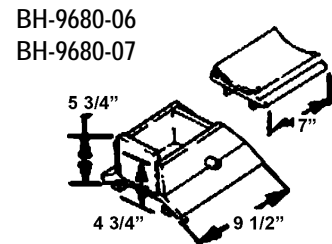
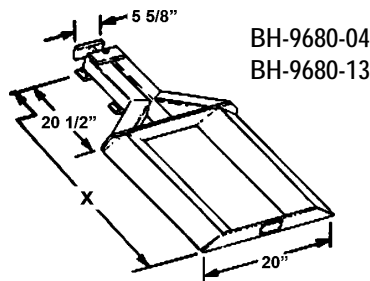
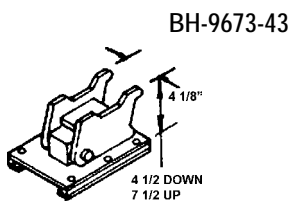
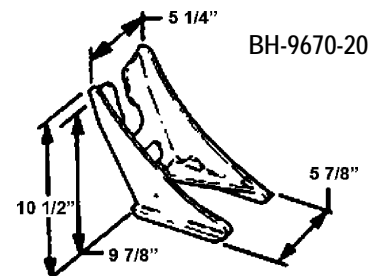
SVI part #	Description	Ref. OEM	Used on Lift Model	x	y	z
BH-9667-20	Standard Rear Adapter	M-2318	EC-107/108, EC-105/106 10-5/8 Plungers	12		
BH-9667-20A	Rear Adapter 1977 Series	M-2318	EC-107/108, EC-105/106 10-5/8 Plungers			
BH-9667-20FT	Rear Adapter with Flat Top		EC-107/108, EC-105/106 10-5/8 Plungers			
BH-9667-20N	Special Rear Adapter for Close to Axle Obstructions	AS-21110	EC-107/108, EC-105/106 MC-302/303 10-5/8 Plungers	10-5/8	10	4
BH-9667-20NT	Special Rear Adapter for Close to Axle Obstructions Narrow - 12" Tall		EC-107/108, EC-105/106 10-5/8 Plungers	13-3/4	11-7/8	5
BH-9667-20NTW	Special Rear Adapter for Close to Axle Obstructions Narrow, Taller, Wider		EC-107/108, EC-105/106 10-5/8 Plungers	12	11-1/2	5-1/4
BH-9667-20STA	Rear Adapter for Sterling Tandem Axle		EC-107/108, EC-105/106 10-5/8 Plungers			
BH-9667-20T	Rear Adapter 16" OAH		EC-107/108, EC-105/106 10-5/8 Plungers	16		
BH-9667-20TR	Rear Adapter 13-3/8" OAH		EC-107/108, EC-105/106 10-5/8 Plungers	13-3/8		
BH-9667-20TRF	Rear Adapter 12-5/8" OAH		EC-107/108, EC-105/106 10-5/8 Plungers	12-5/8		
BH-9667-20TS	Rear Adapter 14-1/2" OAH HD Support		EC-107/108, EC-105/106 10-5/8 Plungers	14-1/2		
BH-9667-20Y	Rear Adapter 9" OAH Flat Across		EC-107/108, EC-105/106 10-5/8 Plungers			
BH-9670-20	Standard Rear Adapter	M-2277	All / 7-1/2" Front Plungers			
BH-9670-20A	Standard Rear Adapter		All / 7-1/2" Front Plungers			
BH-9673-43	Sliding Adapter for H Frame	1084848	MC-335			
BH-9680-04	Special Rear Wheel Adapter	AS-27691 EC-147A	All / 7-1/2" Front Plungers	34-5/8		
BH-9680-04L	Special Rear Wheel Adapter - 6" Longer		All / 7-1/2" Front Plungers	41-1/4		
BH-9680-06	Special Adapter for Transit Coaches - 12-5/8" Recess	KL-241 1082653	EC-105/106 MC-302/307/330			
BH-9680-07	Insert for BH-9680-06	1082656	EC-105/106 MC-302/307/330			
BH-9680-08	Special Rear Adapter for Under Axle Obstructions	AS-13530 KL-135	EC-105/106 MC-302 10-5/8" Plungers			
BH-9680-09	Special Wide Adapter	AS-18585	EC-106DR, MC-307 10-5/8" Dual Plungers	12	8	
BH-9680-09A	Special Wide Adapter 12" OAH x 9" OAW		EC-106DR, MC-307 10-5/8" Dual Plungers			
BH-9680-09SPL	Special Wide Adapter 12.375" OAH x 11" OAW		EC-106DR, MC-307 10-5/8" Dual Plungers	12-3/8	9-1/2	
BH-9680-10	Standard Adapter for Dual Plungers	1081774	EC-106DR, MC-307 10-5/8" Dual Plungers	11-3/8		
BH-9680-10S	Standard Adapter for Dual Plungers 1-3/4" Shorter	1081774x	EC-106DR, MC-307 10-5/8" Dual Plungers	9-5/8		
BH-9680-13	Special Rear Wheel Adapter	AS-17285 EC-148	EC-107/108, EC-105/106 10-5/8 Plungers			
BH-9680-17	Special Adapter for Dual Plungers	AS-21112 KL-277	EC-106DR, MC-307 10-5/8" Dual Plungers	10	4	
BH-9680-17H	Special Adapter for Dual Plungers - Higher		EC-106DR, MC-307 10-5/8" Dual Plungers	11	7	
BH-9680-17L	Special Adapter for Dual Plungers - Lower		EC-106DR, MC-307 10-5/8" Dual Plungers	10	6-7/8	
BH-9680-18	Standard Adapter for Dual Plungers	1085835 KL-276	EC-106DR, MC-307 10-5/8" Dual Plungers			
BH-9680-19	Rear Adapter for Special Clearance	AS-14388 KL-143	EC-105/106 MC-302 10-5/8" Plungers			
BH-9680-19SPL	Special Rear Adapter		EC-105/106 MC-302 10-5/8" Plungers			
BH-9680-22	Special Rear Adapter for 12-5/8"		12-5/8" Rear Plungers	5-1/8	13	6-3/4
BH-9680-22B	Special Rear Adapter for 12-5/8"		12-5/8" Rear Plungers	5-1/8	11	6
BH-9680-22C	Special Rear Adapter for 12-5/8"		12-5/8" Rear Plungers	4-3/8	13	6-3/4
BH-9680-28	Rear Adapter 12-5/8" Similar to FD2151		12-5/8" Rear Plungers			
BH-9680-29	10-5/8" Rear Adapter E450/550 Ford Vans		EC-107/108, EC-105/106 10-5/8" Plungers	9-1/2		
BH-9680-32	10-5/8" Rear Adapter Rotary Style Top		10-5/8" Rear Plungers	9	6-5/8	7-3/8
BH-9680-35	12-5/8" Rear Adapter 330 12-5/16"		10-5/8" Rear Plungers	12-1/8	8	

Rear Plunger Adapters for Weaver Fore and Aft Lifts (continued)

Need a custom
adapter?
Call for a quote!!



Thicker Vertical Plate, Use BH-9670-20A



See more images of Rear Plunger Adapters on the following page

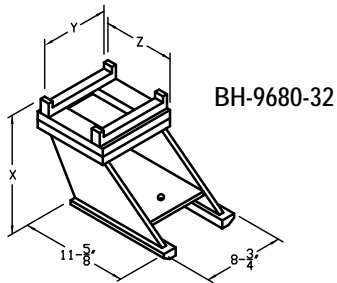
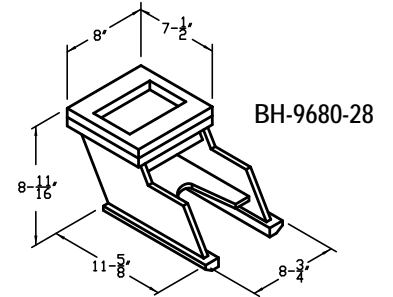
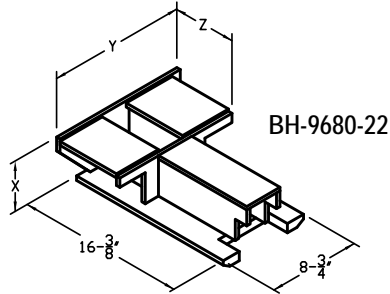
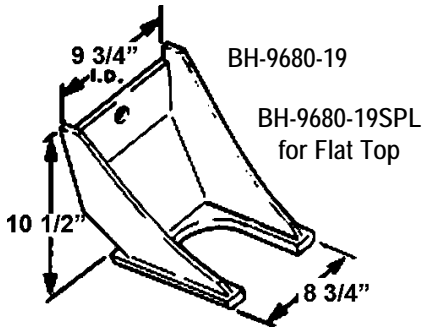
Please Note: Where the O.E.M. number is a KL number or an EC number this indicates a kit with two or more of the components listed. SVI sells these adapters individually. Please order the quantity needed using the SVI part number or call SVI for assistance.

All names, numbers, symbols and descriptions are used for reference purposes only. It is not implied that any part listed is the product of these manufacturers; however, some parts may be the actual product of these manufacturers.



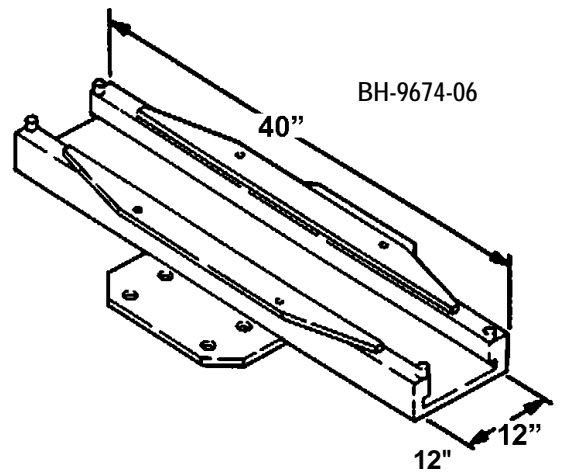
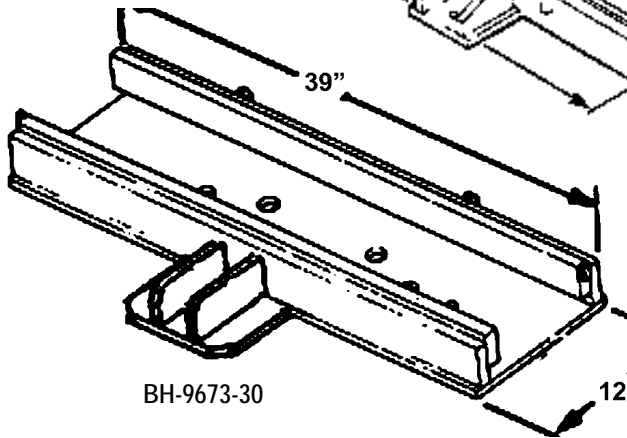
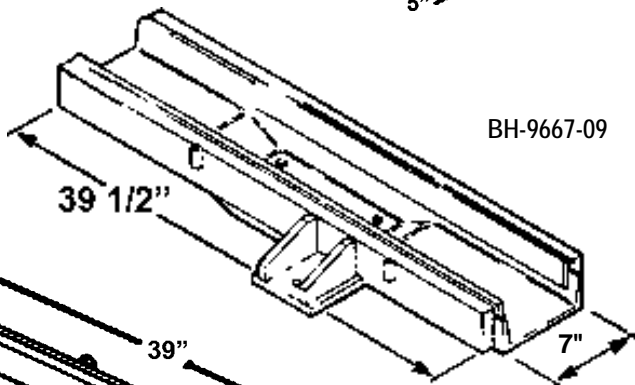
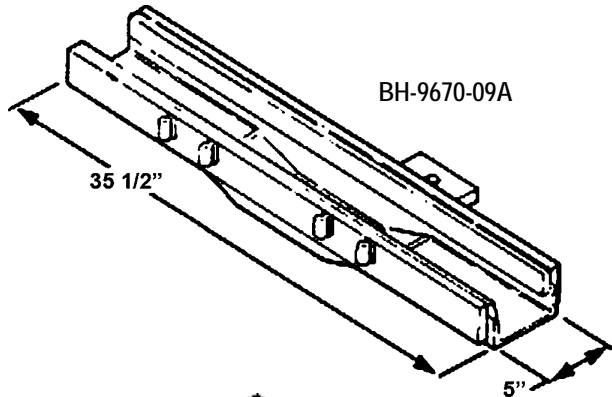
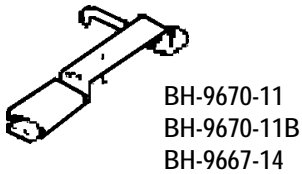
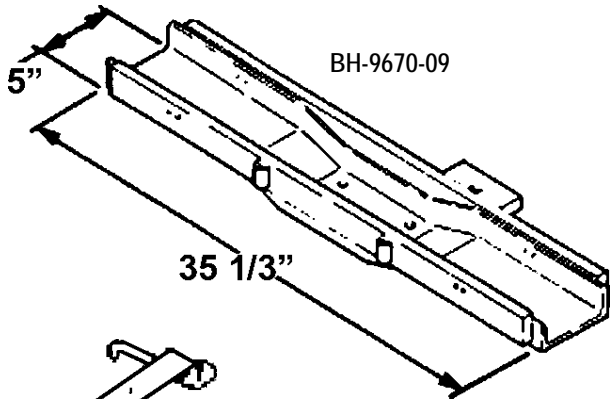
Custom Adapters
Available!
Call for a quote!

Rear Plunger Adapters for Weaver Fore and Aft Lifts (continued)



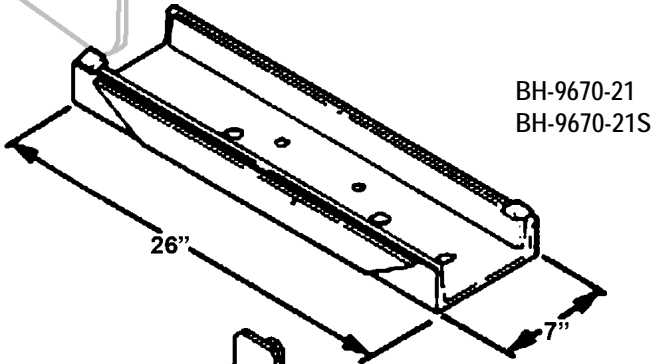


Front Plunger Saddles

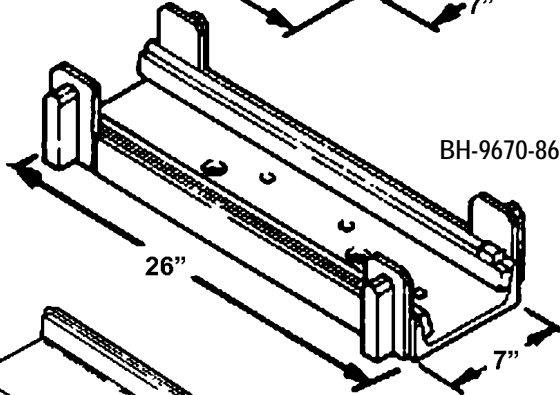


SVI part #	Ref. OEM #	Used on Lift Model
BH-9670-09	AS-25517	EC-100/102/202A
Standard Front Saddle		7-1/2" Front Plungers
BH-9670-09A	AS-26670	EC-107/108
Standard Front Saddle		
BH-9670-11	AS-16624	EC-102/202
Front Adapter Spotting Device	KL-144	
BH-9670-11B	AS-19050	EC-102/202
Front Adapter Spotting Device	KL-145	EC-107/108
with Ratchet Extension		
BH-9667-14	AS-16625	EC-105/106
Front Adapter Spotting Device	KL-130	MC-301
for 10-5/8" Pistons		
BH-9667-09	1080846	EC-105/106
Standard Front Saddle	KL-130	MC-301/304 10-5/8"
BH-9673-30	1084000	MC-320/321
Standard Front Saddle		12-5/8" Plungers
BH-9674-06	1081600	MC-306/308
Front Saddle for Dual Front		10-5/8" Plungers with Lift Locks

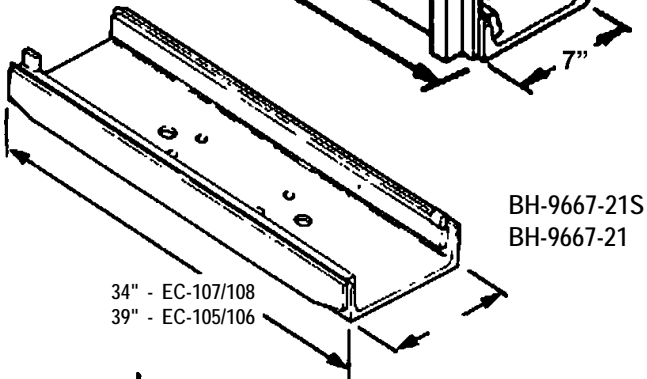
Rear Plunger Saddles for Weaver Fore and Aft Lifts



BH-9670-21
BH-9670-21S

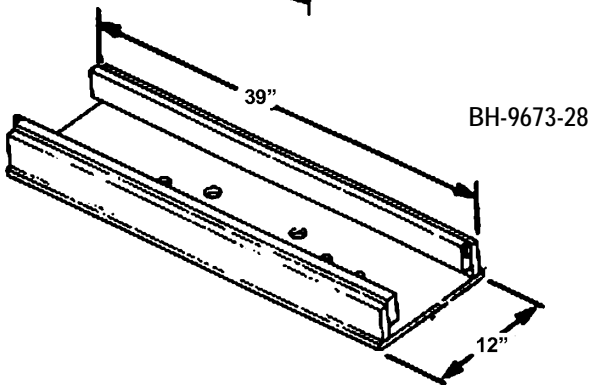


BH-9670-86

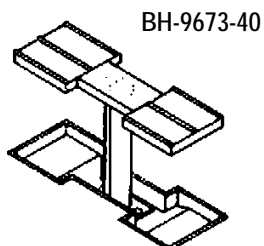
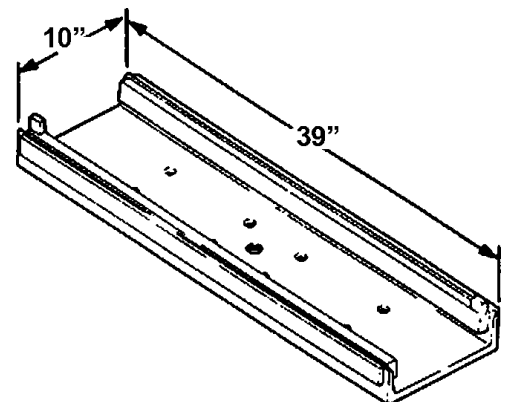


BH-9667-21S
BH-9667-21

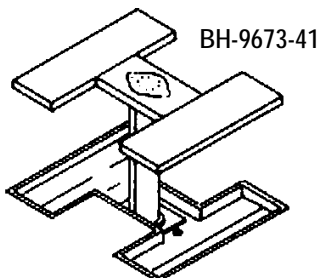
34" - EC-107/108
39" - EC-105/106



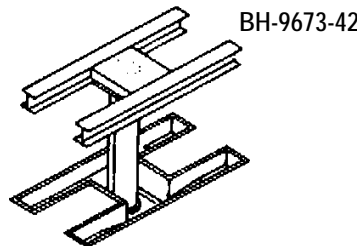
BH-9673-28



BH-9673-40



BH-9673-41



BH-9673-42

BH-9674-57
(shown without
Lift Lock plates)

SVI part #	Ref. OEM #	Used on Lift Model
BH-9670-21 Standard Rear Saddle	AS-25550	EC-102/203A 7-1/2" Plungers
BH-9670-21S 23-1/2" Short Rear Saddle	AS-15533	EC-100 Old U-Shaped for 7-1/2" Plungers
BH-9670-86 Rear Saddle for Select-A-Lift "A" and "B" Models	1085168	EC-202/203B 7-1/2" Plungers
BH-9667-21S Standard Rear Saddle 34"	1080871	EC-107/108/106BM 10-5/8" Plungers
BH-9667-21 Standard Rear Saddle 39"	1080826	EC-105/106 10-5/8" Plungers
BH-9673-38 Standard Rear Saddle	1084659	MC-330 12-5/8" Plungers
BH-9674-57 Rear Saddle for Dual Plungers with Lift Locks	1081638	MC-307/308 Dual 10-5/8" Plungers
BH-9673-40 12-5/8" Superstructure	1084633	MC-331
BH-9673-41 12-5/8" Superstructure		MC-333
BH-9673-42 12-5/8" Superstructure	1084871	MC-335

**TERMS AND CONDITIONS OF THE
SALES ORDER
FOR SVI INTERNATIONAL, INC.**

1. **GENERAL.** The terms and conditions of sales order outlined herein shall apply to the sale by SVI INTERNATIONAL, INC. (hereinafter referred to as "Company") of the items described on the facing page (hereinafter referred to as "Merchandise") to Purchaser.
2. **DELIVERY.** Delivery shall be deemed to be complete when the Merchandise has been shipped F.O.B. Company's plants in DeKalb, Illinois, Duarte, California; and Baltimore, Maryland ("Company's plants"). Shipments are subject to delays from causes or contingencies beyond the reasonable control of the Company. When otherwise not specified, shipments will be made in standard containers via carrier which, in the judgment of the Company, will result in the most practical method. Title and right of possession will pass to the Purchaser upon receipt by the carrier at the shipping point. If a customer of the Company should specify a specific carrier's method of shipment (i.e. UPS Next Day Air) and that carrier does not perform to the customer's expectations, freight credit to a customer's account will not be issued unless the Company can first obtain a credit.
3. **RISK OF LOSS.** Identification of the Merchandise under Uniform Commercial Code (hereinafter referred to as "UCC") Section 2-501 shall take place at the moment of shipment F.O.B. Company's plants. Risk of loss shall pass to the Purchaser when the Merchandise is shipped from the Company's plants.
4. **TITLE.** Title to the merchandise shall transfer to the Purchaser when the Merchandise is shipped from the Company's plants.
5. **WARRANTIES.** The Company guarantees its products to be free from defects in workmanship and raw materials for a period of one year from date of purchase. THIS WARRANTY IS EXPRESSLY IN LIEU OF ANY AND ALL WARRANTIES EXPRESS OR IMPLIED. COMPANY DOES NOT WARRANT THE MERCHANDISE IS MERCHANTABLE OR FIT FOR ANY PARTICULAR PURPOSE. Company's liability for breach of the terms of this Agreement, including any warranty, is limited to either refund of the invoice price of the Merchandise or at Company's option, replacement of the Merchandise free of charge, including transportation charges but not including the cost of labor. Purchaser has not relied on any statement or upon the conduct of Company with respect to the prospective use of the merchandise. Company shall not be liable for and Purchaser waives any and all claims for any loss or damage, directly or indirectly, arising from the use of the Merchandise and for punitive, incidental or consequential damages, including, but not limited to, damages to property, for loss of use, loss of time, loss of profit or loss of income. The Company does not authorize the sale of our products under any other warranty, expressed or implied.
6. **SETOFF.** All claims for money due or to become due from the Company shall be subject to deduction by the Company for any setoff or counterclaim arising out of this or any other claims of the Company or its affiliated companies, whether such setoff or counterclaim arose before or after any assignment by Purchaser.
7. **INDEMNIFICATION.** Purchaser agrees to indemnify the Company and hold it harmless from and against all claims, liability, loss, damage or expense, including reasonable counsel fees, arising from or by reason of any modifications or alterations made by Purchaser. If a customer of the Company modifies or alters any part, in any manner whatsoever, or uses any part in departure from recommended performance specifications, said customer agrees to indemnify and hold the Company harmless from and against all liability and expenses based on damage to property or injury to or death of any person arising out of or attributable to such modified or altered part. Further, the Company will not accept any such modified or altered part for credit to a customer's account.
8. **FREIGHT POLICY.** Freight charges on individual orders less than \$3,000 in net value are prepaid and added to invoice or collect F.O.B. shipping point. Freight charges (standard ground service and continental US only) on individual orders more than \$3,000 net value are paid by the Company F.O.B. shipping point. Note: customers with C.O.D. terms are responsible for all carrier C.O.D. fees regardless of order net value.
9. **RETURN POLICY.** To return parts for credit or inspection Purchaser must first contact the Company to obtain a Return Goods Authorization number (RGA#). Once Purchaser has obtained an RGA# the parts can be returned freight prepaid only. The RGA# must be on the outside of the container in a highly visible location. All parts must be returned freight prepaid and the shipment must include a letter of explanation giving the specific reason for return including details as to the conditions under which the part or parts operated. Note: parts returned without an RGA#, freight collect or without written explanation may be refused. Parts which have been used in any way or manner, including any installation or incorporation into a lift or hoist, shall NOT be eligible for return whether or not an RGA has been assigned.
10. **RESTOCK CHARGE.** Returns are subject to up to twenty-five (25%) restocking charge. Refusals are subject to the same restocking charge plus the cost of outbound and return freight charges and/or fees incurred by the Company due to shipment refusal.
11. **PRICES AND PAYMENTS.** All prices are subject to change without notice. All prices are F.O.B. shipping point. The Company standard terms are net 30 days, C.O.D. company check, C.O.D. cash, VISA, MasterCard, Discover or American Express. However, if in the judgment of the Company, the financial condition of the Purchaser at any time does not justify shipment according to standard terms of payment, the Company may require full or partial payment in advance.
12. **INTERPRETATION.** This sales order is intended by the parties as a complete and exclusive statement of the terms of their agreement. It supersedes all prior agreements, written or oral. No course of prior dealings between the parties and no usage of the trade shall be relevant to supplement or explain any terms used in this sales order. Acceptance or acquiescence in a course of performance rendered under this purchase order shall not be relevant to determine the meaning of this sales order even though the accepting or acquiescing party has knowledge of the nature of the performance and opportunity for objection. Whenever a term defined by the UCC is used in this sales order the definition contained in the UCC shall control.
13. **MODIFICATION.** This sales order can be modified or rescinded only by a writing signed by both parties.
14. **WAIVER.** No claim or right arising out of a breach of this sales order can be discharged in whole or in part by a waiver or renunciation of the claim or right unless such waiver or renunciation is supported by consideration and is in writing signed by the aggrieved party.
15. **ASSIGNMENT.** No right or interest in this sales order shall be assigned by either party without the written consent of the other and no delegation of any obligation owed, or of the performance of any obligation by either the Company or Purchaser shall be made without the written consent of the other party. Any attempted assignment or delegation not made in conformity with this paragraph shall be wholly void and totally ineffective for all purposes.
16. **TIME TO PERFORM AND BRING ACTION.** Time is of the essence of this sales order. Any action for breach of this sales order shall be commenced within two (2) years after the cause of action has accrued. Any party who loses any litigation shall reimburse the other party for costs including reasonable attorneys fees. The exclusive jurisdiction for any legal action shall be the Circuit Court of DeKalb County, Illinois.
17. **APPLICABLE LAW.** This sales order shall be governed by the UCC of Illinois as effective and in force on the date of this sales order.

Offering the Best in Automotive Lift Repair Parts and More!

Auto Lift Cables • Auto Lift Parts • Brake Lathe Repair Parts

Compressed Air Repair Parts • Exhaust System Products • Fluid Delivery Repair Parts

Lubrication Equipment Repair Parts • Repair Parts for Gasboy Consumer Series

Service Station Pump and Tank Products • SVI Misc Auto Lift Products and Catalogs

Tire Changer Repair Parts • Vehicle Lifting Systems • Wheel Balancer Accessories

Serving the Industry Since 1977 • Same-Day Shipping



SVI International, Inc.

(800) 321-8173 • (815) 748-0200

155 Harvestore Drive • DeKalb, IL 60115

www.sviinternational.com

BALTIMORE • CHICAGO • LOS ANGELES