

# Automotive Lift

R E P A I R P A R T S



**SVI International, Inc.**  
**(800) 321-8173 • (815) 748-0200**  
155 Harvestore Drive • DeKalb, IL 60115  
**[www.sviinternational.com](http://www.sviinternational.com)**

BALTIMORE • CHICAGO • LOS ANGELES

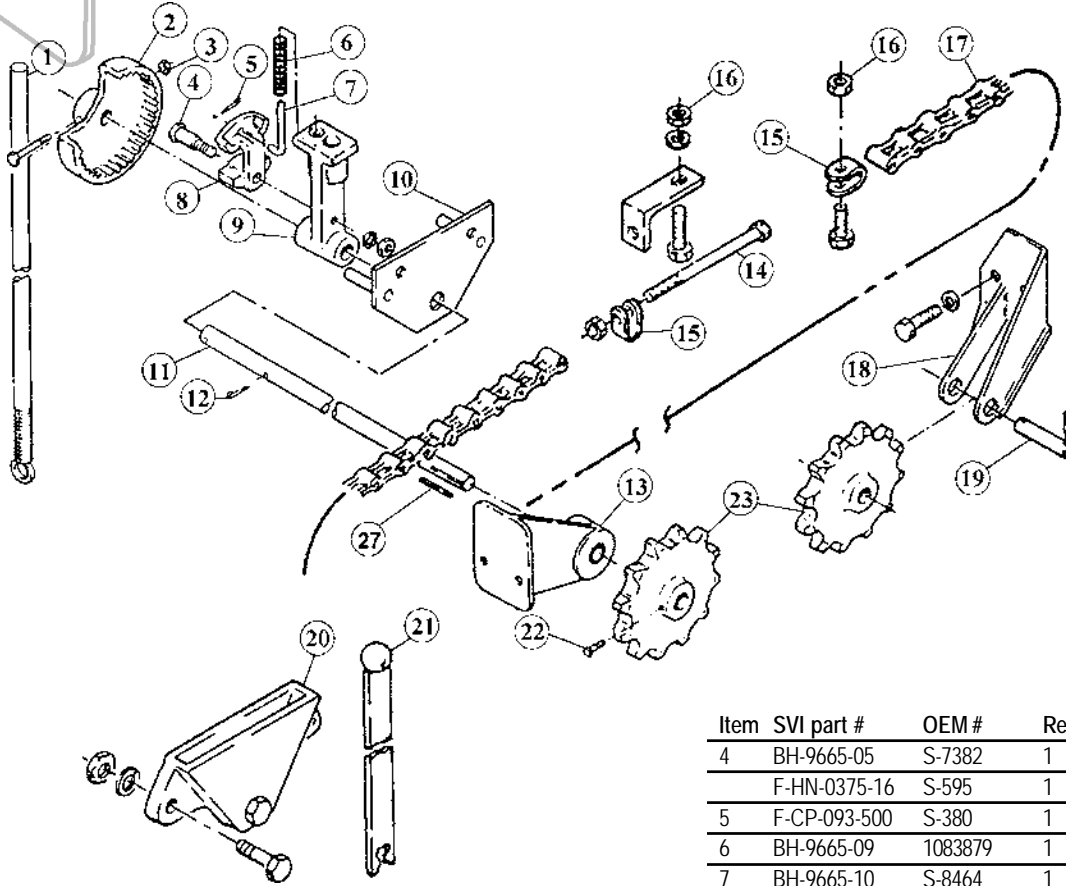
**Weaver**

Repair Parts for:

Repair Parts for:  
**Weaver**

# Manual Ratchet Assembly Components

## For EC-100/102/103 Series, EC-107/108 Series, EC-105/106 Series, MC Modular Concept Series



Item	SVI part #	OEM #	Req	Description
2,8	BH-9663		1	Ratchet Wheel and Dog Kit
2-9	BH-9665		1	Ratchet Assembly Repair Kit
1	BH-9665-32	AS-16486	1	Shift Lever
2	BH-9665-02	M-2313	1	Wheel
3	F-HC-0312-18-2250	S-27000	1	Capscrew
	F-HN-0312-18	S-1863	1	Hex Nut 5/16-18

Item	SVI part #	OEM #	Req	Description
4	BH-9665-05	S-7382	1	Pin
	F-HN-0375-16	S-595	1	Hex Nut 3/8-16
5	F-CP-093-500	S-380	1	Cotter Pin
6	BH-9665-09	1083879	1	Spring
7	BH-9665-10	S-8464	1	Spring Guide Pin
8	BH-9665-11	M-2199	1	Dog
9	BH-9665-12	M-2314	1	Dog Lever
10	BH-9665-14	AS-7392	1	Hanger Plate
11	BH-9665-18	S-7387	1	62" Ratchet Shaft 3/4
	BH-9665-19	S-27798	1	59" Ratchet Shaft 3/4
	BH-9665-20	S-28125	1	48-1/2" Ratchet Shaft 3/4
	BH-9665-21	S-15407	1	59-1/4" Ratchet Shaft 3/4
	BH-9665-22	S-21312	1	49-7/8" Ratchet Shaft 3/4
	BH-9665-22L			72" Ratchet Shaft 3/4
	BH-9665-22S			71.44" Ratchet Shaft 3/4
12	BH-9665-27	S-107	1	Cotter Pin
13	BH-9665-17	AS-26408	1	Front Hanger Assembly
14	BH-9665-26	AS-20636	1	Adjusting Bolt
15	BH-9665-24	S7391	2	Chain Fastener
16	F-HN-0500-13	S-508	2	Hex Nut 1/2-13
17	BH-9665-13	S-7381	1	26' Ratchet Chain
18	BH-9665-15	M-1561	1	Hanger (rear)
19	BH-9665-23	S-28216	1	Pin for Sprocket Shaft
20	BH-9665-31	A-1834	1	Shift Lever Socket Assembly
21	BH-9665-16	AS-11039	1	Shift Lever
22	BH-9665-30	S-7221	2	Set Screw for Sprocket
23	BH-9665-28	M-1573/74	2	Sprocket
24	BH-9665-25	S-15408	1	Chain Anchor Lug
25	F-HC-0500-13-1250	S-7403	1	Hex Head Cap Screw
26	F-LW-0500	S-512	1	Lockwasher
27	BH-9665-29A			Key

### Air/Oil Tanks

#### For EC-184 Single Post Lifts

BH-9801	36-Gallon Bottom Outlet
BH-9801FG	36-Gallon Fiberglassed Tank

#### For EC-881/885, 891, 284, 285, EC-102, 202 Series Twin Post Lifts

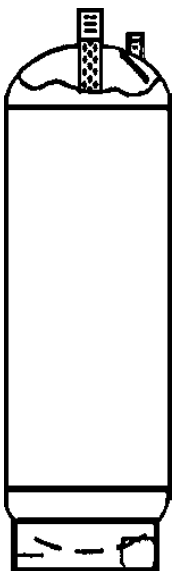
BH-9801	36-Gallon Bottom Outlet
BH-9801FG	36-Gallon Fiberglassed Tank

#### For EC-105 Fore and Aft Lifts

BH-9804	62-Gallon Bottom Outlet
BH-9804FG	62-Gallon Fiberglassed Tank

#### For EC-107 Fore and Aft Lifts

BH-9805	47-Gallon Bottom Outlet
BH-9805FG	47-Gallon Fiberglassed Tank

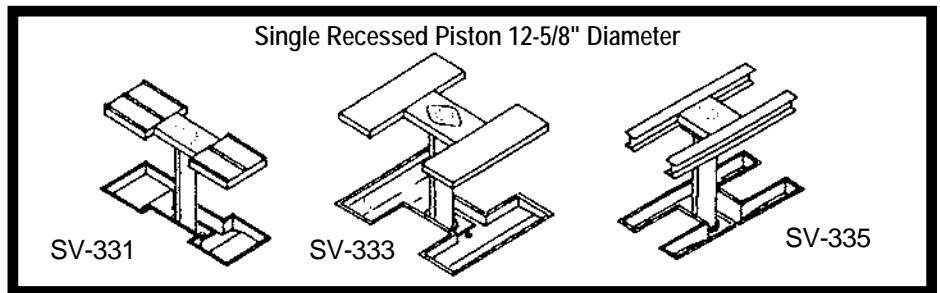
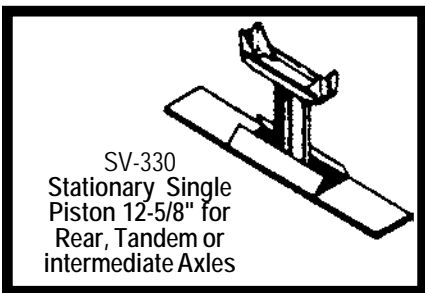
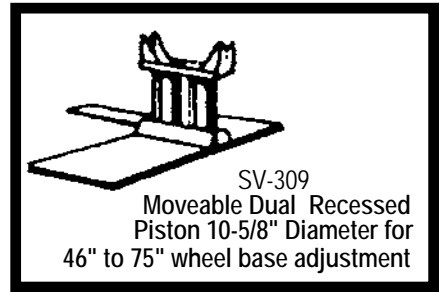
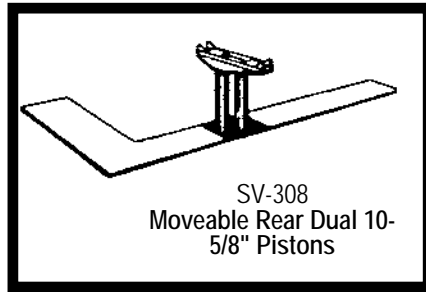
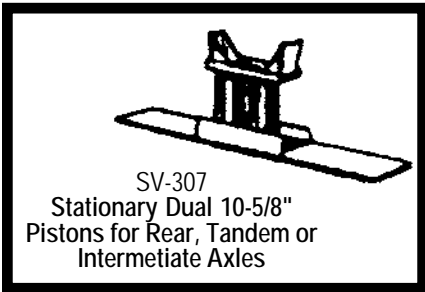
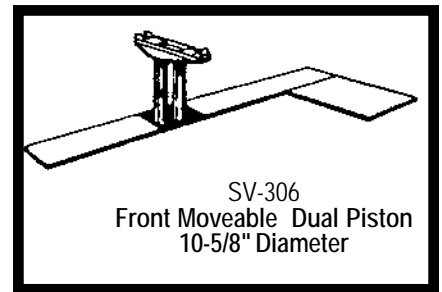
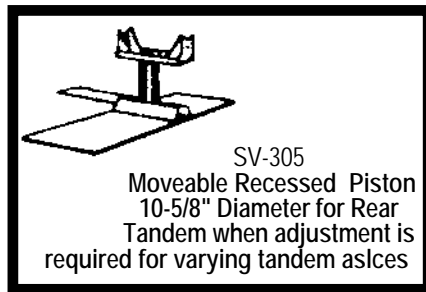
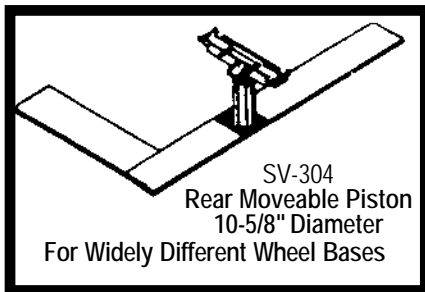
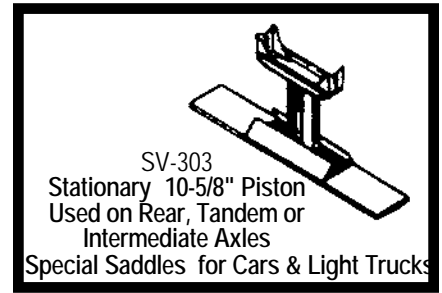
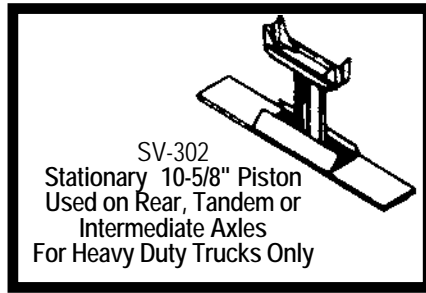
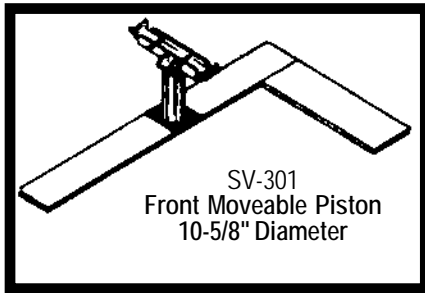


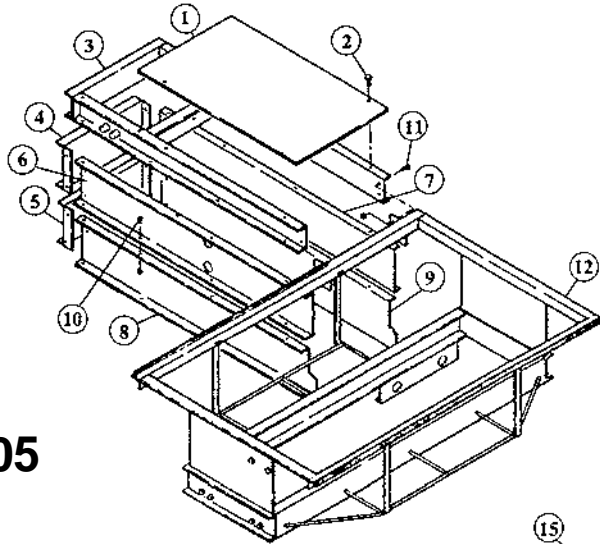


# MC Series Modular Concept Lifts

10-5/8" Posts 18,000 lb. Capacity at 250 P.S.I. maintained oil pressure using hydraulic pumping unit.

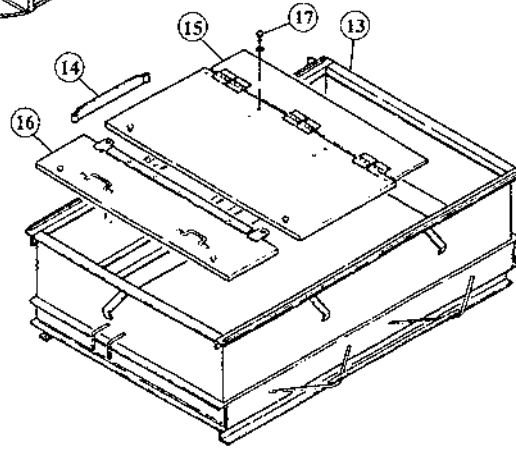
12-5/8" Posts 25,000 lb. Capacity at 250 P.S.I. maintained oil pressure using hydraulic pumping unit.





**MC-305**

**Frames and Cover Doors**



**MC-309**

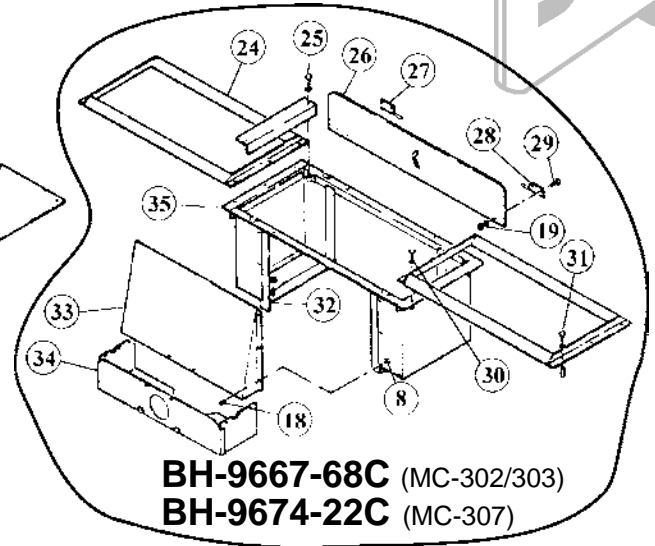
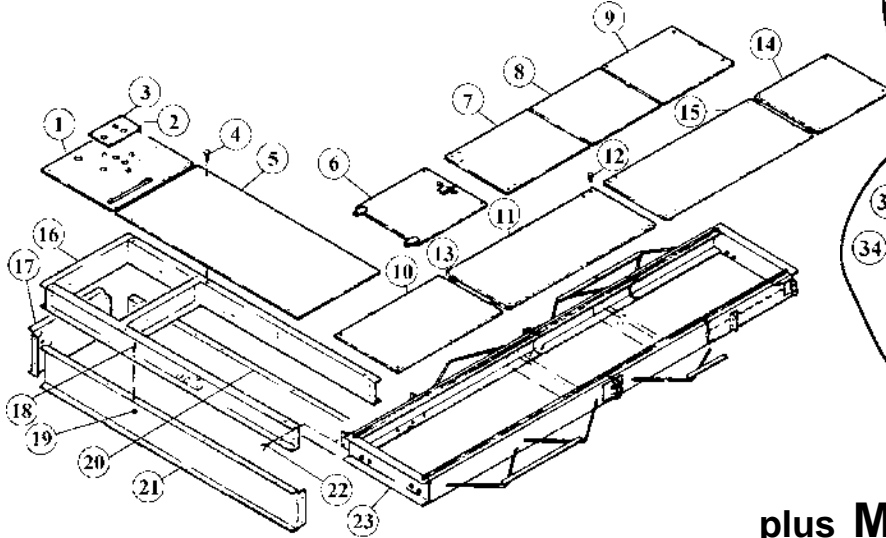
Item	SVI part #	OEM #	Req	Description
1	BH-9674-60	1080202	1	Extension Cover
2	F-HC-0375-24-1000	S-11324		Capscrew
3	BH-9674-61	1080201	1	Control Box
4	BH-9674-62	S-21462	1	Form, Back (MC-309)
	BH-9674-63	1080793	1	Form, Back (MC-305)
5	BH-9674-62	S-214621	1	Form, Back
6	BH-9674-65	1081685	1	Top Form, Back (MC-309)
	BH-9674-66	1080795	1	Top Form, Back (MC-305)
7	BH-9674-67	1081686	1	Top Form, Front (MC-309)
	BH-9674-68	1080794	1	Top Form, Front (MC-305)
8	BH-9674-69	1081689	1	Bottom Form, Back (MC-309)
	BH-9674-70	1080797	1	Bottom Form, Back (MC-305)
9	BH-9674-71	1081688	1	Bottom Form, Front (MC-309)
	BH-9674-72	1080798	1	Bottom Form, Front (MC-305)

Item	SVI part #	OEM #	Req	Description
10	F-MS-0250-20-0750	S-6655		Round Head Machine Screw
	F-HN-0250-20	S-21268		Hex Nut
11	F-HC-0500-13-1000	S-722		Capscrew
	F-HN-0500-13	S-508		Hex Nut
12	BH-9674-73	1080185	1	Frame
13	BH-9674-74	1081650	1	Frame
14	BH-9674-75	1081668	2	Frame Pull Bar (MC-309)
	BH-9674-76	1081169	2	Frame Pull Bar (MC-305)
15	BH-9674-77	1081670	2	Cover Plate Ass'y. (MC-309)
	BH-9674-78	1081165	2	Cover Plate Ass'y. (MC-305)
16	BH-9674-79	1081681	2	CarryAround Plate (MC-309)
	BH-9674-80	AS-14471	2	CarryAround Plate (MC-305)
17	F-HC-0500-13-1250	S-12276		Capscrew
	F-FW-0500-SAE	S-18432		Washer



## Frames and Cover Doors

### MC-301, MC-304 MC-306, MC-308



### MC-302, MC-303 plus MC-307 for Dual Rear Pistons

Item	SVI part #	OEM #	Req	Description
1	BH-9674-27	AS-26673	1	Cover (4 Stem Valve)
	BH-9667-53	S-23829	1	Cover (3 Stem Valve)
2	BH-9674-26	S-12745	1	Nameplate (4 Stem Valve)
	BH-9670-58	S-12261	1	Nameplate (3 Stem Valve)
3	F-DS-02-0375	S-4515		Drive Screw
4	F-HC-0375-24-1000	S-11324		Capscrew
5	BH-9667-54	S-23844	1	Extension Cover
	BH-9667-55	AS-28320	1	Extension Cover for Ratchet
6	BH-9667-66	AS-27707	1	Carry Around Plate (21")
	BH-9667-67A	AS-16125	1	Carry Around Plate (30")
	BH-9667-67	AS-20881	1	Carry Around Plate (36")
7	BH-9667-85	1080850	1	Folding Plate (28-3/8")
8	BH-9667-86	AS-27573	1	Folding Plate (24-3/8")
9	BH-9667-87	AS-27575	1	Folding Plate (24")
10	BH-9667-64	AS-27704	1	Front Sliding Plate (36")
11	BH-9667-63	1080848	1	Front Cover Plate (54")
12	F-HC-0500-13-1000	S-722		Capscrew
13	BH-9667-62	S-9707		Hinge Plate Pin
	F-CP-093-0625	S-1042		Cotter Pin
14	BH-9667-65	AS-27706	1	Rear Sliding Plate (24")
15	BH-9667-63	1080848	1	Front Cover Plate (54")
16	BH-9667-56	AS-28320	1	Control Box Front
17	BH-9667-57	AS-27697	1	End Panel
18	F-MS-0250-20-0750	S-6656		Machine Screw
19	F-HN-0250-20	S-21268		Hex Nut
20	BH-9667-58	S-28317	1	Side Panel - Rear
21	BH-9667-59	S-28316	1	Side Panel - Front
22	F-HN-0375-16	S-595		Hex Nut
23	BH-9667-XXX*	1085046	1	Front Frame - Specify Size

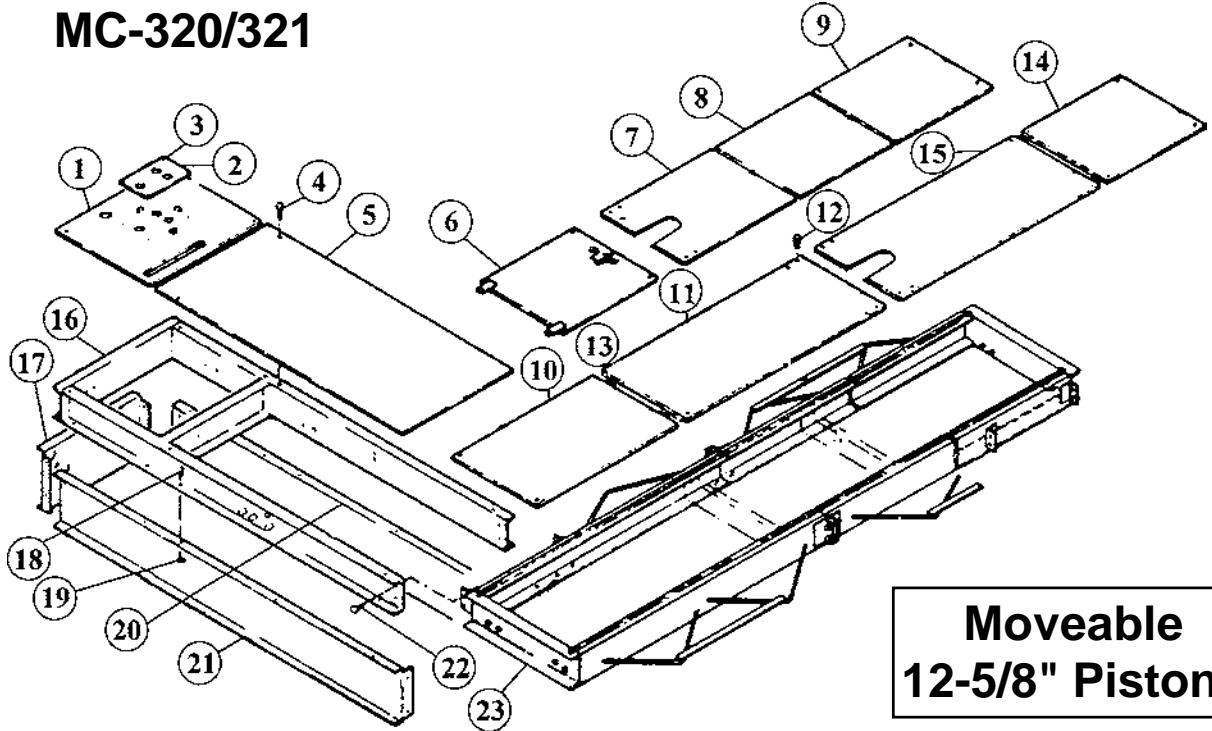
\* Front Frame Assemblies are available from 12' to 22'. Please specify size when ordering.

Item	SVI part #	OEM #	Req	Description
24	BH-9667-69	AS-27713	2	Wheel Chock
25	F-HC-0375-16-1000	S-105		Capscrew
	F-LW-0375	S-1325		Lockwasher
26	BH-9667-74	1080865	2	Plunger Door (MC-302) 43-1/2"
	BH-9667-74S	1080869	2	Plunger Door (MC-303) 37-1/2"
	BH-9674-23	1081630	2	Plunger Door (MC-307)
27	BH-9667-75	AS-23748	2	Right Hand Hinge
28	BH-9667-76	AS-23749	2	Left Hand Hinge
29	F-HC-0250-20-0750	S-21321		Capscrew (MC-302,303)
	F-HC-0500-13-1250	S-7403		Capscrew (MC-307)
	F-FW-0250-SAE	S-21318		Flat Washer (MC-302,303)
	F-LW-0500	S-512		Lockwasher (MC-307)
30	F-HC-0500-13-1250	S-7403		Capscrew
	F-LW-0500	S-512		Lockwasher
31	F-LB-0500-3500	S-27464		Lag Bolt
	BH-9667-72	S-18432		Washer
	BH-9667-73	S-27463		Lag Shield
32	F-HN-0500-13	S-508		Hex Nut
33	BH-9667-77	S-26626	1	Front Form (MC-302, 303)
	BH-9674-21	1081627	1	Front Form (MC-307)
34	BH-9667-78	AS-26624	1	Conduit Form (MC-302,303)
	BH-9674-20	1081623	1	Conduit Form (MC-307)
	BH-9674-24	1081625	1	Left End Form (MC-307)
	BH-9674-25	1081624	1	Right End Form (MC-307)
35	BH-9667-68	1080862	1	Frame (MC-302/303)
	BH-9667-68C			Rear Frame Assembly (MC-302/303)
	BH-9674-22	1081617	1	Frame (MC-307)
	BH-9674-22C		1	Rear Frame Assembly (MC-307)



## Frames and Cover Doors

### MC-320/321



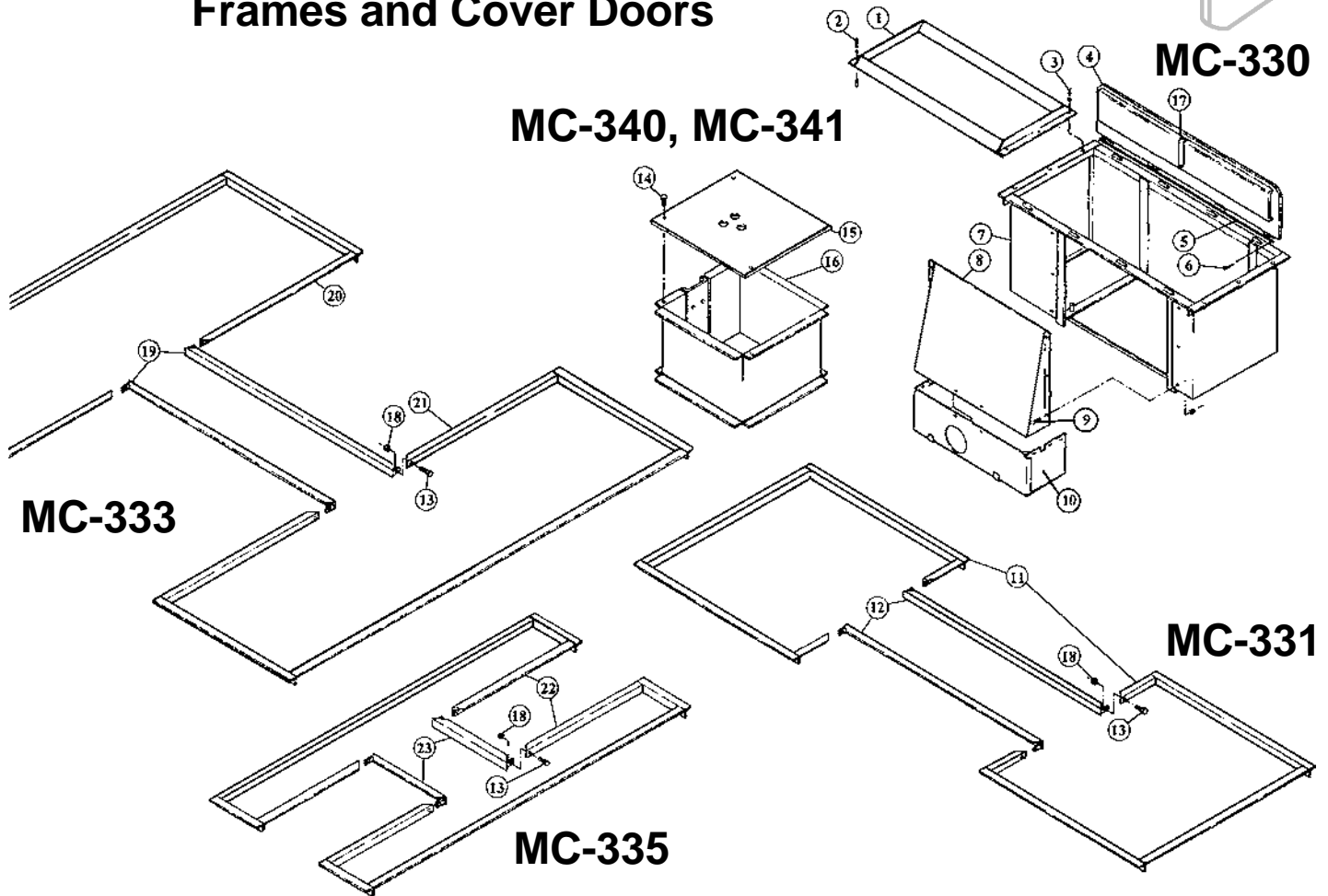
**For Opposite of Standard, recessed frames, or special length frames, please call for details**

Item	SVI part #	OEM #	Req	Description
1	BH-9667-53	S-23829	1	Cover - Std. 3 stem
	BH-9667-27	AS-26673	1	Cover - Std. 4 stem
2	BH-9670-48	S-12261	1	Nameplate Std. 3 stem
	BH-9674-26	S-12745	1	Nameplate Std. 4 stem
3	F-DS-02-0375	S-4515	1	Drive Screw
1-3	BH-9667-51	AS-23832	1	Cover Assy Std. 3 stem
1-3	BH-9667-51P	AS-26459	1	Cover Assy Opp. 3 stem
1-3	BH-9674-28	AS-26674	1	Cover Assy Std. 4 stem
4	F-HC-0375-24-1000	S-11324		Capscrew
5	BH-9667-54	S-23844	1	Extension Cover Std.
6	BH-9673-75	1084039	1	36" Carry Around Plate
	BH-9673-76	1084038	1	30" Carry Around Plate
	BH-9673-78	1084037	1	24" Carry Around Plate
	BH-9673-79		1	20" Carry Around Plate
7	BH-9673-69	1084041	1	30" Folding Plate
8	BH-9673-68	1084043	1	24" Folding Plate

Item	SVI part #	OEM #	Req	Description
9	BH-9673-67	1084102	1	23" Folding Plate
10	BH-9673-71	1084033	1	36" Sliding Plate
11	BH-9673-70	1084030	1	54" Front Cover Plate
12	F-HC-0500-13-1250	S-7403	4	Capscrew
13	BH-9673-73	1084005	2	Hinge Pin
14	BH-9673-72	1084032	1	24" Sliding Plate
15	BH-9673-70A	1084046	1	54" Rear Cover Plate
16	BH-9667-56	AS-28320	1	Control Box Frame
17	BH-9667-57	S-27697	1	End Panel - Std.
18	F-MS-0250-20-0500	S-6656	28	Machine Screw
19	F-HN-0250-20	S-21286	36	Hex Nut
20	BH-9667-58	S-28317	1	Panel, Rear
21	BH-9667-59	S-28316	1	Panel, Front
22	F-HC-0375-16-1000	S-105	4	Capscrew
23	Please Call for Details		1	Frame



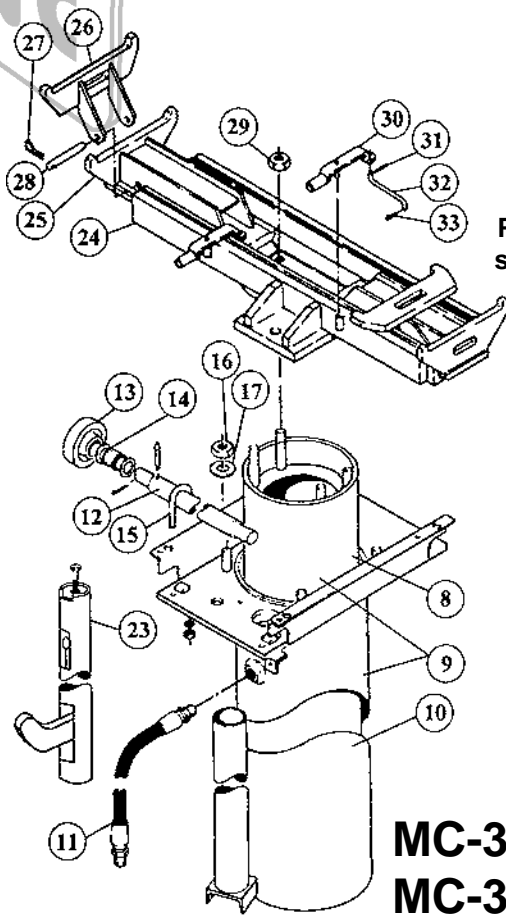
## Frames and Cover Doors



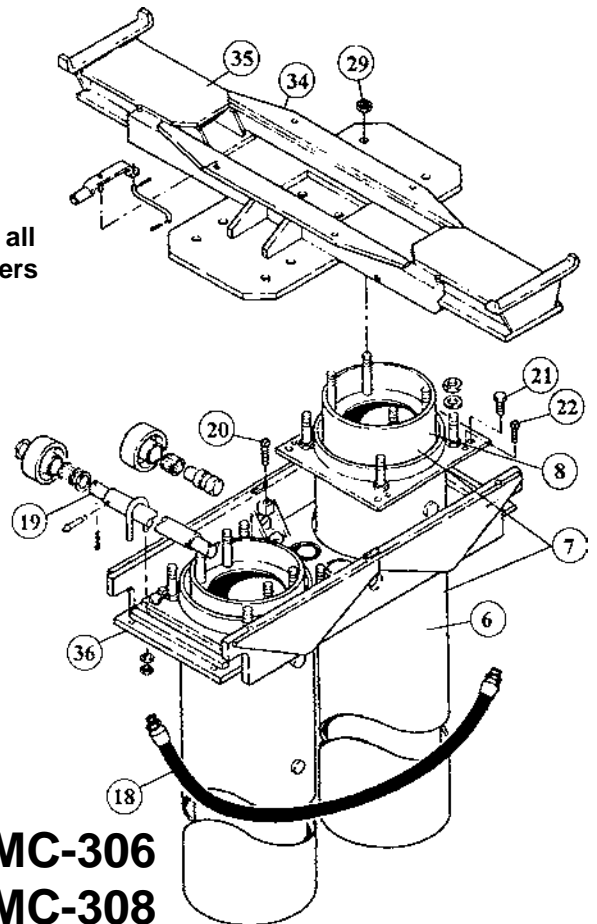
Item	SVI part #	OEM #	Req	Description
1	BH-9667-69	AS-27713	2	Wheel Chock
2	F-LB-0500-3500	S-27464		Lag Bolt
	F-FW-0500-SAE	S-18432		Washer
	BH-9667-73	S-27463		Lag Shield
3	F-HC-0500-13-1250	S-7403		Capscrew
	F-LW-0500	S-512		Lockwasher
4	BH-9673-15	1084710	2	Door Assembly
5	BH-9673-21	1084716	2	Hinge Pin
6	F-CP-125-1000	S-6829		Cotter
7	BH-9673-13	1084713	1	Frame Assembly
8	BH-9673-14	1084709	1	Front Form
9	F-MS-0250-20-0500	S-6656		Machine Screw
10	BH-9673-14B	1084706	1	Conduit Form Assembly

Item	SVI part #	OEM #	Req	Description
11	BH-9673-45	1084648	2	Installation Frame
12	BH-9673-46	1084653	2	Mounting Angle
13	F-HC-0375-16-1000	S-105		Capscrew
14	F-HC-0312-18-0750	S-7428		Capscrew
15	BH-9673-47	1084733	1	Cover Assembly
16	BH-9673-48	1084720	1	Control Box Ass'y.
17	BH-9673-20	1084717	1	Wear Strip w/3 rivets
18	F-HN-0375-16	S-595		Hex Nut
19	BH-9673-46	1084653	2	Mounting Angle
20	BH-9673-49	1084690	1	Installation Frame L.H.
21	BH-9673-50	1084695	1	Installation Frame R.H.
22	BH-9673-51	1084872	2	Installation Frame
23	BH-9673-52	1084873	2	Mounting Angle

## Moveable Surface Models



Please see pages 22-26 for all standard and special adapters



**MC-301  
MC-304**

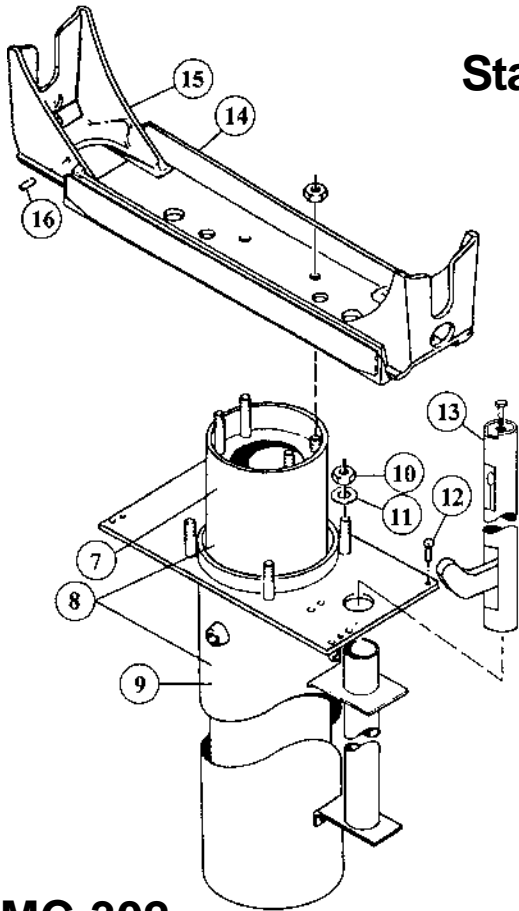
**MC-306  
MC-308**

Item	SVI part #	OEM #	Req	Description
1	BH-1776	KL-160	1-2	Hoist Packing Kit
	BH-1776S	KL-160	1-2	Leak Sealer Packing Kit
2	BH-9651	AS-11311	1-2	Packing Follower
3	BH-9667-24ATF	M-1402x	1-2	Adjust-to-Fit Upper Bearing Kit
	BH-9667-24	M-1402		Upper Bearing
4	BH-9667-25	S-13121	1-2	Grease Fitting
5	BH-9667-28	S-6453	1-2	Wiper Retainer
6	BH-9674-01	1081612	1	Twin Casing
7	BH-9674-02	1081589	2	Tube and Plunger Assy.
8	BH-9667-23	KL-181	2	Plunger and Gland Assy.
9	BH-9667-22F	1080844	1	Tube and Plunger Assy.
10	BH-9667-32F	1080840	1	Front Casing
11	BH-9816	S-13876	1	Hydraulic Hose
12	BH-9665-37	AS-6386	2	Axle Assembly
	BH-9665-37N	AS-6386	2	Needle Bearing Axle Assy.
13	BH-9665-37W	M-1401	4	Axle Wheel
14	BH-9665-37B	S-16425	4	Axle Bearing
15	BH-9665-41	S-11320	4	Axle U Bolt
16	F-HN-0750-10	S-2350	4	Hex Nut
17	F-FW-0750-SAE	S-6037	4	Flat Washer

Item	SVI part #	OEM #	Req	Description
18	BH-9674-03	S-19079	1	Hydraulic Hose
19	BH-9674-04	1081814	2	Twin Front Axle Assy.
20	F-SS-0500-13-1500	S-1402		Set Screw
21	F-HC-0500-13-1500	S-7403		Capscrew
22	F-SS-0500-13-0750	S-1706		Set Screw
23	BH-WE-803	1080803	2	Safety Leg/Non-Rotator
24	BH-9667-09	1080846	1	Front Saddle
25	BH-9667-10	1084777	2	Saddle Adapter
26	BH-9667-11	1084758	2	Adapter Extension
27	BH-9667-13	1084762		Hair Pin Cotter
28	BH-9667-12	1084761		Pin
29	F-HN-0750-10	S-2350		Hex Nut
30	BH-9667-14	AS-16625	1	Lever Link Assembly
	BH-9667-15	AS-17614	1	Lever
31	F-RP-125-0875	S-14089	2	Roll Pin
32	BH-9667-16	S-18894	1	Link
33	F-CP-125-0750	S-275	1	Cotter Pin
34	BH-9674-06	1081600	1	Twin Front Saddle
35	BH-9674-07A	AS-18717	2	Adapter
36	BH-9674-05	1081581	1	Twin Front Carriage

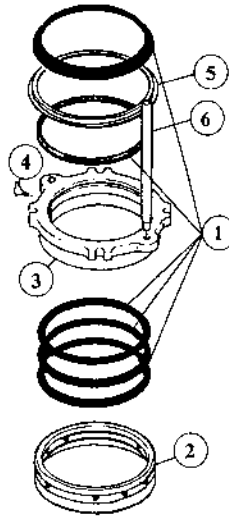


## Stationary Models

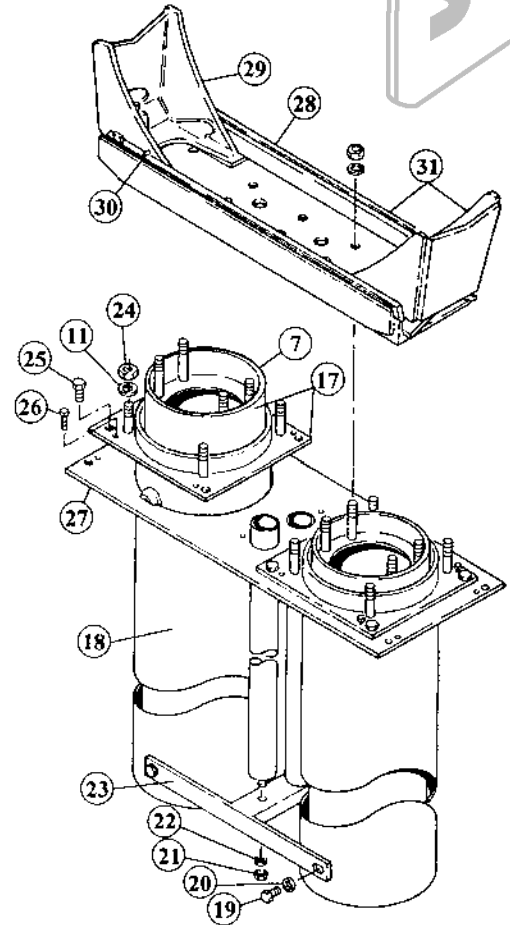


**MC-302**  
**MC-303**

Please see pages 22-26 for all  
standard and special adapters



**MC-307**

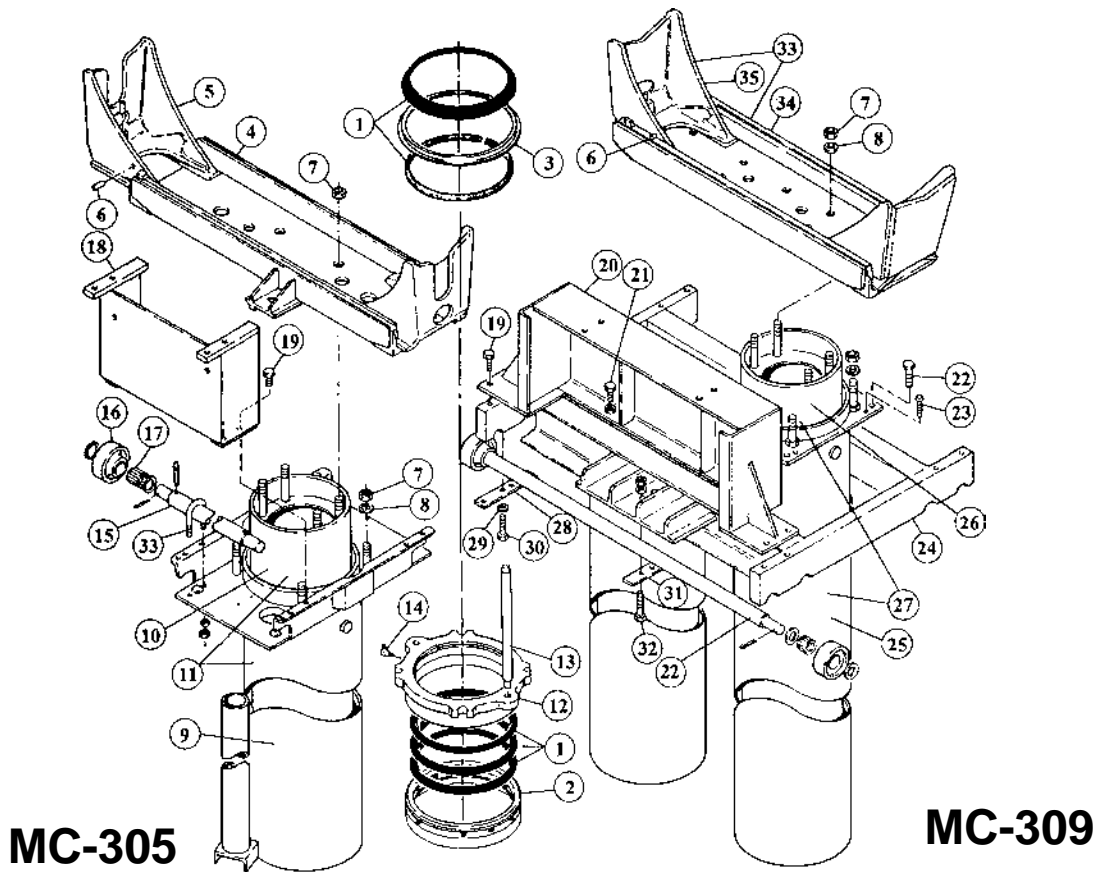


Item	SVI part #	OEM #	Req	Description
1	BH-1776	KL-160	1-2	Hoist Packing Kit
	BH-1776-S	KL-160	1-2	Leak Sealer Packing Kit
2	BH-9651	AS-11311	1-2	Packing Follower
3	BH-9667-29ATF	M-1386	1-2	Gland Ring
4	BH-9667-25	S-13121	1-2	Grease Fitting
5	BH-9667-28	S-6453	1-2	Wiper Retainer
6	BH-9667-30	S-26665	2	Support Rod
7	BH-9667-33	KL-182	1	Plunger and Gland Kit
8	BH-9667-22	AS-26345	1	Cylinder Assembly
9	BH-9667-32	AS-26342	1	Rear Casing
10	F-HN-0750-10	S-2350		Hex Nut
11	F-FW-0750-SAE	S-6037		Flat Washer
12	F-SS-0500-13-0750	S-1706		Set Screw
13	BH-WE-802	1080802	1	Safety Leg/Non-Rotator
14	BH-9667-21	1080826	1	Saddle (MC-302 model)
	BH-9674-07	1080819	1	Rear Saddle (MC-303 model)
15	BH-9667-20	M-2318	2	Adapter
16	F-RP-375-1500	S-18835	2	Roll Pin

Item	SVI part #	OEM #	Req	Description
14-16	BH-9667-19	1080827	1	Rear Saddle Assy (MC-302)
14-16	BH-9674-08	1080820	1	Rear Saddle Assy. (MC-303)
17	BH-9674-09	10816111		Twin Rear Cylinder Assy.
18	BH-9674-01	1081612	1	Twin Casing
19	F-HC-0500-13-1000	S-722		Capscrew
20	F-LW-0500	S-512		Lockwasher
21	F-HN-0500-13	S-508		Hex Nut
22	F-FW-0500-SAE	S-18432		Flat Washer
23	BH-9674-10	1081609		Spacer
24	F-HN-0750-10	S-17729		Hex Nut
25	F-HC-0500-13-1500	S-7403		Capscrew
26	F-SS-0500-13-0750	S-1706		Set Screw
27	BH-9674-11	1081615	1	Casing Frame Plate
28	BH-9674-57	1081638	1	Twin Rear Saddle
29	BH-9680-10	1081774	2	Standard Adapter
30	F-RP-375-1500	S-18835	2	Roll Pin
31	BH-9674-14	1081775	1	Twin Rear Saddle Assy.



## Moveable Recessed Models



**MC-305**

**MC-309**

Please see pages 22-26 for all standard and special adapters

Item	SVI part #	OEM #	Req	Description
1	BH-1776	KL-160	1-2	Hoist Packing Kit
	BH-1776S	KL-160	1-2	Leak Sealer Packing Kit
2	BH-9651	AS-11311	1-2	Packing Follower
3	BH-9667-28	S-6453	1-2	Wiper Retainer
4	BH-9674-41	1080921	1	Saddle
5	BH-9667-20	M-2318	2	Adapter
6	F-RP-375-1500	S-18835	2	Roll Pin
4-6	BH-9674-40	1080920	1	Saddle and Adapter Ass'y.
7	F-HN-0750-10	S-2350		Hex Nut
8	F-FW-0750-SAE	S-6037		Flat Washer
9	BH-9674-42	1080786	1	Tube & Carriage Ass'y.
10	BH-9674-43	AS-27933	1	Plunger
11	BH-9674-44	1080784	1	Cylinder Assembly
12	BH-9667-29ATF	M-1386	2	Gland (MC-309)
	BH-9674-45ATF	1080785	1	Gland (MC-305)
13	BH-9667-30	S-26665	2	Support Rod
14	BH-9667-25	S-13121	2	Grease Fitting
15	BH-9665-37	AS-6386	2	Axle Assembly
	BH-9665-37N	AS-6386	2	Needle Bearing Axle Ass'y.
16	BH-9665-37W	M-1401	4	Axle Wheel

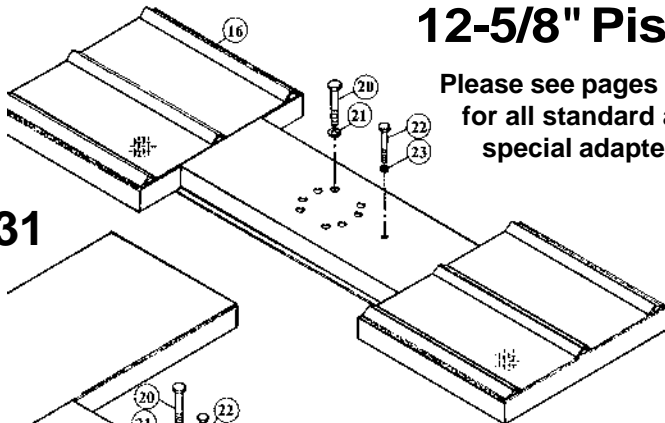
Item	SVI part #	OEM #	Req	Description
17	BH-9665-37B	S-16425	4	Axle Bearing
18	BH-9674-46	1083180	1	Plate Support (Front)
	BH-9674-47	1083182	1	Plate Support (Rear)
19	F-HC-0500-20-1000	S-12596		Capscrew
20	BH-9674-48	1081674	1	Plate Support
21	F-HC-0500-13-1250	S-7403		Capscrew
22	BH-9674-49	1081695	2	Axle Assembly
23	F-SS-0500-13-0750	S-1706		Set Screw
24	BH-9674-50	1081642	1	Carriage
25	BH-9674-51	1081590	2	Casing
26	BH-9674-52	AS-27880	2	Plunger and Gland
27	BH-9674-53	1081611	2	Cylinder Assembly
28	BH-9674-54	1081680	4	Tie Bar
29	F-LW-0500	S-512		Lockwasher
30	F-HC-0500-20-2250	S-3464		Capscrew
31	BH-9674-55	1081694	2	Center Tie Bar
32	F-HC-0500-13-3000	S-7394		Capscrew
33	BH-9674-56	1081775	1	Saddle and Adapter Ass'y.
34	BH-9674-57	1081638	1	Saddle
35	BH-9674-58	1081774	2	Adapter



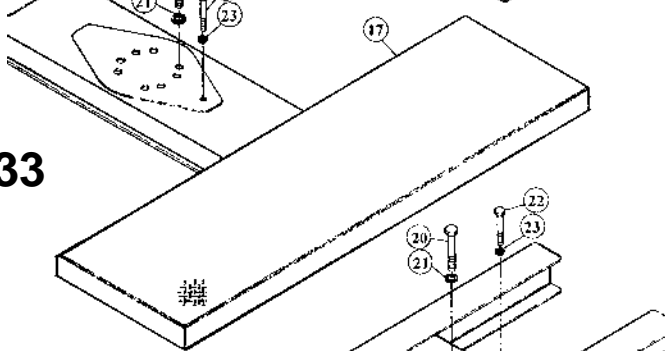
## Stationary 12-5/8" Pistons

Please see pages 22-26  
for all standard and  
special adapters

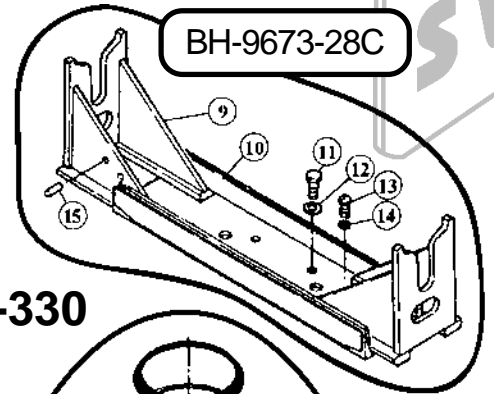
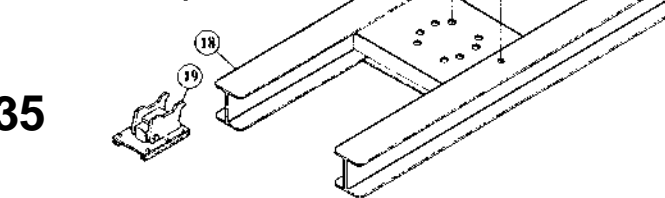
**MC-331**



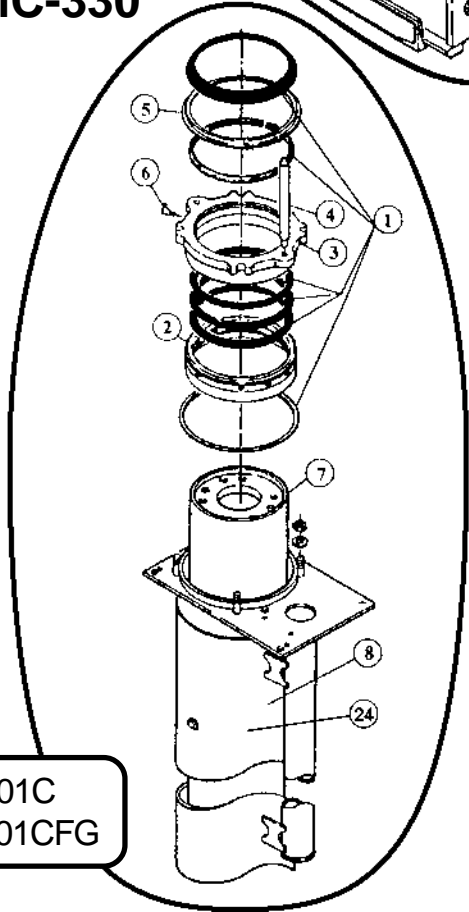
**MC-333**



**MC-335**



**MC-330**



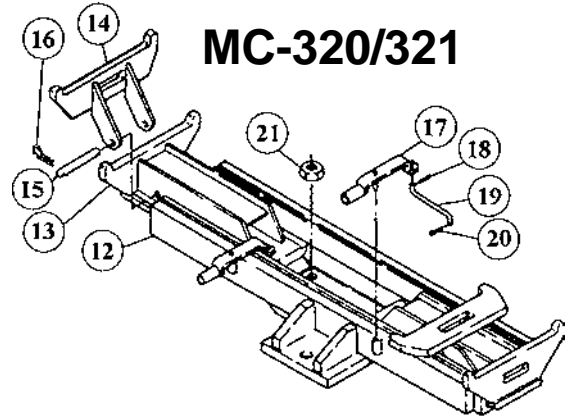
Item	SVI part #	OEM #	Req	Description
	BH-9673-01C			12-5/8" Complete Cyl. Assembly
	BH-9673-01CFG			12-5/8" Complete Cyl. Assy. Fiberglass
	BH-9673-28C			12-5/8" Rear Saddle Complete
1	BH-1713	KL-268	1	Hoist Packing Kit
2	BH-9673-04	1084619	1	Packing Follower
3	BH-9673-05ATF	1084631	1	Packing Gland
4	BH-9673-06	1084718	2	Support Rod (MC-330)
5	BH-9673-27	1084629	1	Wiper Ring Retainer
6	BH-9667-25	S-13121	1	Grease Fitting
7	BH-9673-03	KL-275	1	Plunger and Gland Kit
8	BH-9673-01	1084601	1	Casing (12-5/8")
9	BH-9667-20	M-2318	2	Adapter
10	BH-9673-28	1084659	1	Saddle
11	F-HC-1250-07-3250	1084666		Capscrew (MC-330)

Item	SVI part #	OEM #	Req	Description
12	F-LW-1250	1084657		Lockwasher
13	F-HC-0750-10-2000	S-3535		Capscrew
14	F-LW-0750	G103326		Lockwasher
15	F-RP-375-1500	S-18835		Roll Pin
16	BH-9673-40	1084633	1	Superstructure (MC-331)
17	BH-9673-41		1	Superstructure (MC-333)
18	BH-9673-42	1084871	1	Superstructure (MC-335)
19	BH-9673-43	1084848	2	Adapter Assembly
20	F-HC-1250-07-7000	1084656		Capscrew
21	F-LW-1250	1084657		Lockwasher
22	F-HC-0750-10-6000	1084658		Capscrew
23	F-LW-0750	G103326		Lockwasher
24	BH-WE-999			Manual Safety Leg



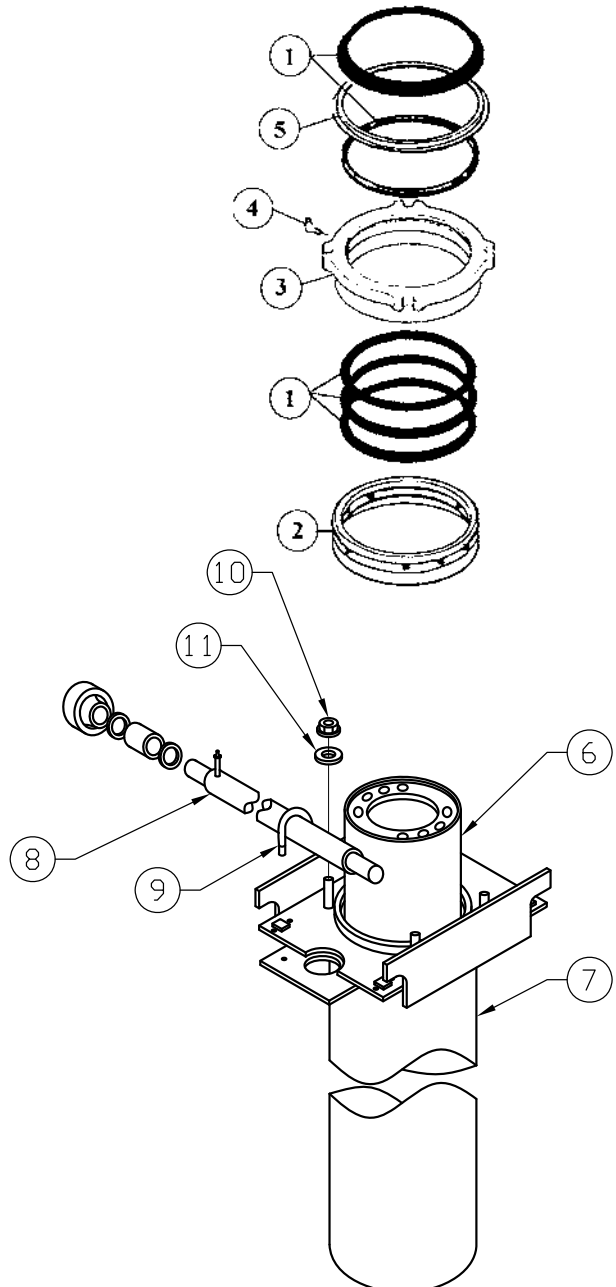
## Moveable 12-5/8" Pistons

Please see pages 22-26  
for all standard and  
special adapters

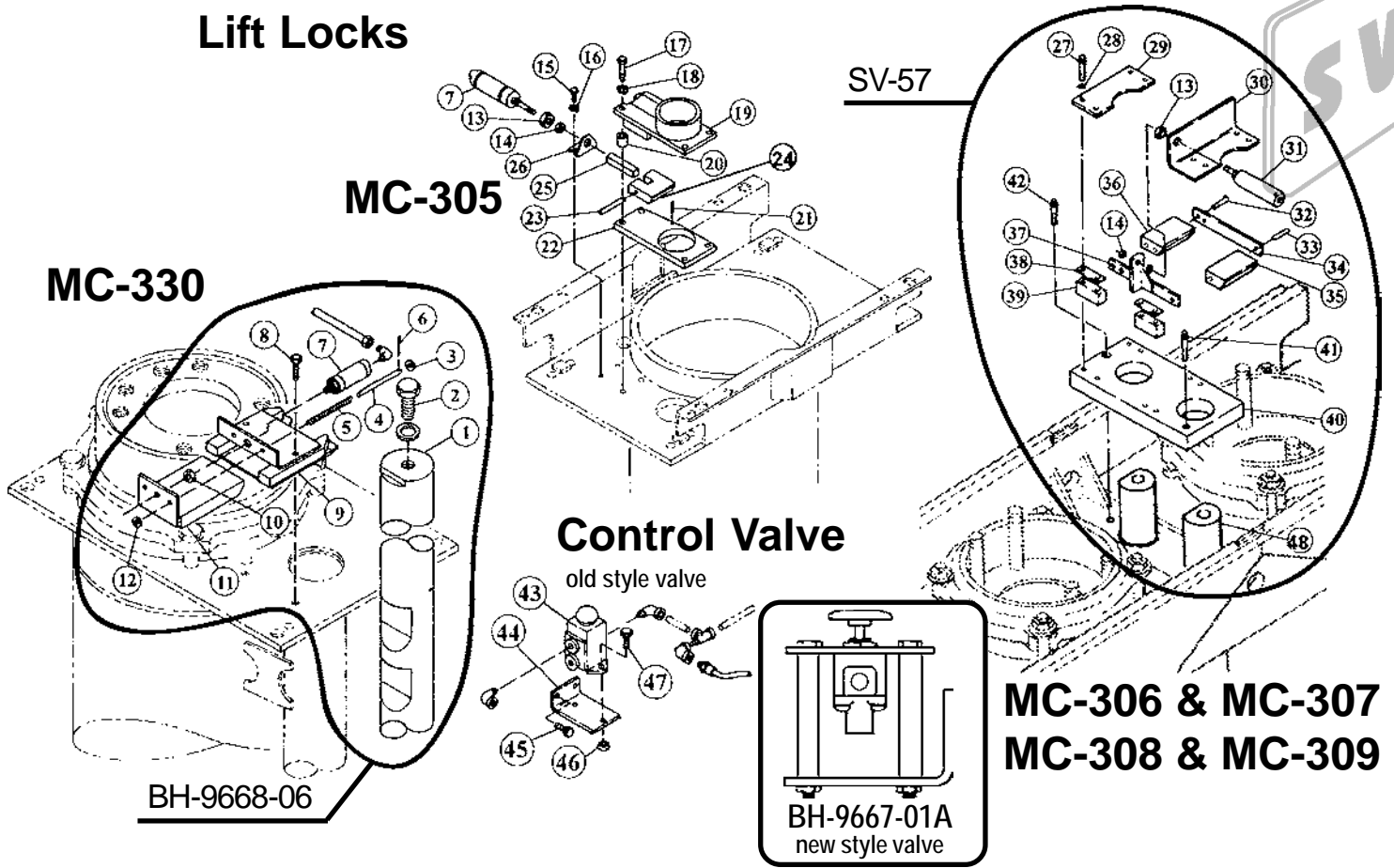


Item	SVI part #	OEM #	Req	Description
1	BH-1713	KL-268	1	Hoist Packing Kit
2	BH-9673-04	1084619	1	Packing Expander
3	BH-9673-05ATF*	1084013	1	Front Gland
4	BH-9667-25	S-13121	1	Grease Fitting
5	BH-9673-27	1084629	1	Wiper Ring Retainer
6	BH-9673-23	KL-274	1	Front Plunger w/ gland
7	BH-9673-22	1084017	1	Front Casing
8	BH-9673-31	1084073	2	Axle Assembly
9	BH-9665-41	S-11320	4	U Bolt for Axle
10	F-HN-0750-10	S-2350	4	Hex Nut 3/4-10
11	F-FW-0750-SAE	S-6037	4	Washer 53/64 ID
12	BH-9673-30	1084000	1	Front Saddle
13	BH-9673-80	1084006	2	Adapter
14	BH-9667-11	1084758	2	Adapter Extension
15	BH-9667-12	1084761	2	Adapter Pin
16	BH-9667-13	1084762	4	Hair Pin Cotter
17	BH-9667-15	AS-17614	1	Lever
18	BH-9667-16	S-18894	1	Link
19	F-RP-125-0875	S-14089	1	Roll Pin
20	F-CP-125-0750	S-275	1	Cotter Pin
21	F-HN-0750-10	S-2350	4	Hex Nut 3/4-10

\* When ordering gland please specify for front 12-5/8" piston.



# Lift Locks



Item	SVI part #	OEM #	Req	Description
	BH-9668-06		1	Complete Lock Assembly
	SV-57		1	Complete Dual Lock Assembly
1	BH-9668-01	1084677	1	Steel Lift Lock Leg
2	F-HC-0750-10-2000	S-3535	1	Capscrew
3	F-FW-0250-SAE	S-19957	1	Washer
4	BH-9668-05	1084673	1	Spring Guide Pin
5	BH-9668-04	1084835	1	Spring
6	F-CP-125-0750	S-380	1	Cotter Pin
7	BH-9667-02	S-25502	1	Air Cylinder MC-330
	BH-9667-03	S-25534	1	Air Cylinder MC-305
8	F-HC-0312-16-2250	S-15134	1	Capscrew
9	BH-9668-03	1084668	1	Lift Lock Bracket
10	F-JN-0312-24	S-7927	1	Jam Nut
11	BH-9668-02	1084674	1	Lock Pawl
12	F-FW-0250-SAE	S-19957	1	Washer
3-12	BH-9668-06C	1087831	1	Complete Lock Assembly
13	F-JN-0625-18	S-2250	1	Jam Nut
14	F-JN-0312-24	S-7927	2	Jam Nut
15	F-HC-0250-20-0750	S-21321	1	Capscrew
16	F-LW-0250	S-543	1	Lockwasher
17	F-HC-0312-18-2000	S-22899	1	Capscrew
18	F-LW-0312	S-18821	1	Lockwasher
19	BH-9668-07	1080877	1	Cover Plate
20	BH-9668-08	1080875	1	Spacer
21	F-RP-125-1000	S-12695	1	Roll Pin
22	BH-9668-09	1080876	1	Mounting Plate
23	F-RP-250-1750	S-14110	1	Roll Pin
24	BH-9668-10	1080873	1	Pawl

Item	SVI part #	OEM #	Req	Description
25	BH-9668-11	1080874	1	Clevis
26	BH-9670-91	S-25532	1	Mounting Bracket
27	F-TC-0312-18-2000	1081607	8	12 pt Capscrew
28	F-LW-0375	S-1325	8	Lockwasher
29	BH-9668-13	10801671	1	Retainer Plate
30	BH-9668-14	1080170	1	Retainer Bracket
31	BH-9667-02	1080229	1	Air Cylinder
32	BH-9668-16	1080182	1	Nylok Capscrew
33	BH-9668-17	1081605	1	Pin
34	BH-9668-18	1080171	1	Link
35	BH-9668-19	1080174	1	Pawl
36	BH-9668-20	1080173	1	Pawl, Tapped
37	BH-9668-21	1080176	1	Link Assembly
32-37	BH-9668-22	1080228	1	Pawl Assembly
38	BH-9668-23	1080166	4	Shim
39	BH-9668-24	1080165	4	Guide Block
40	BH-9668-25	1081602	1	Bearing Block
41	F-TC-0375-16-1750	S-27069	2	12 pt. Capscrew
42	F-TC-0375-16-1500	S-27368	1	12 pt. Capscrew
43	BH-9667-01	S-18325	1	Button Valve (Old Style)
	BH-9667-01A			Valve (New Style)
44	BH-9666-88	1080398	1	Bracket
45	F-HC-0375-16-1000	S-105	2	Capscrew
46	F-HN-0250-20	S-21268	2	Hex Nut
47	F-HC-0250-20-0875	S-3975	2	Capscrew
48	BH-9667	1080800	1	Steel Lift Lock Leg

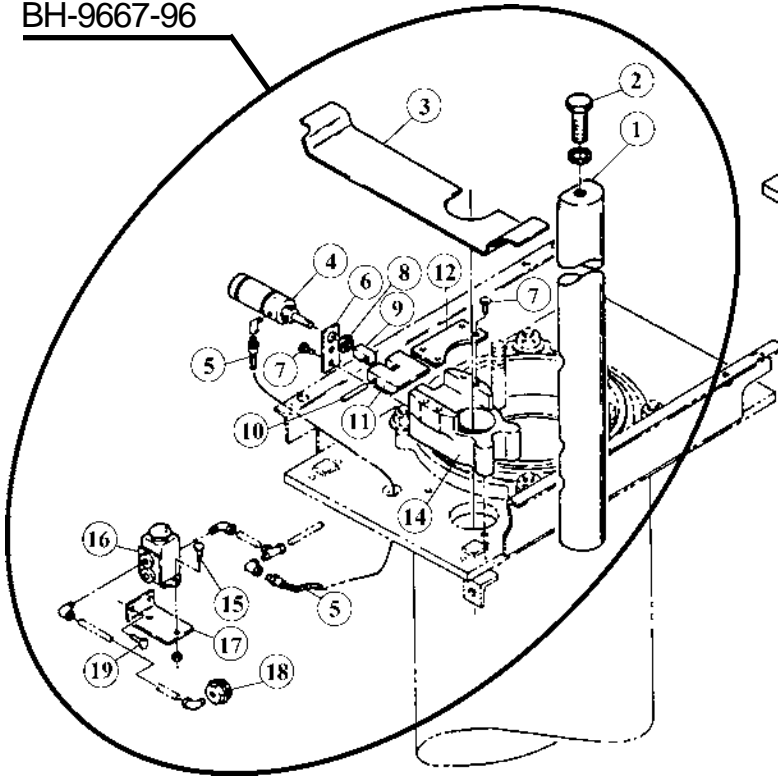
All names, numbers, symbols and descriptions are used for reference purposes only. It is not implied that any part listed is the product of these manufacturers; however, some parts may be the actual product of these manufacturers.



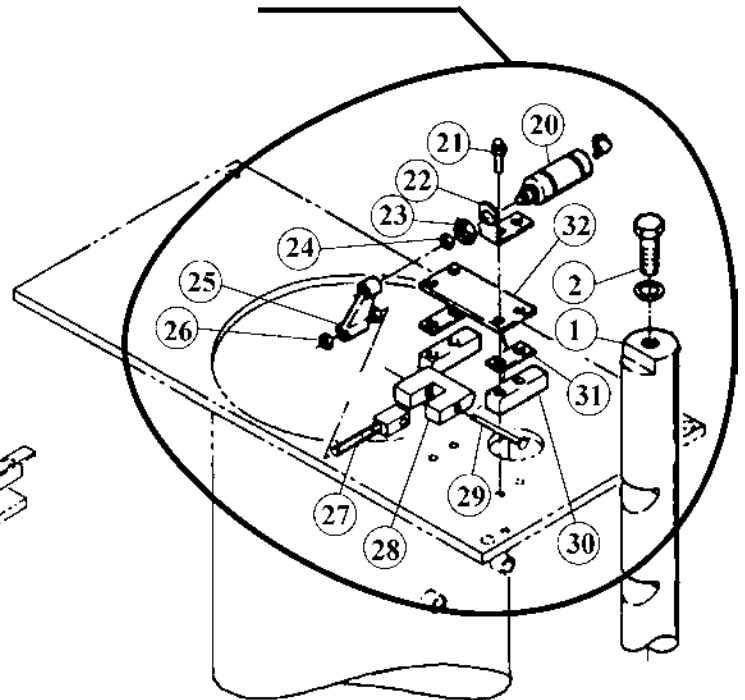
## Lift Locks

### MC-301 & MC-304 10-5/8" Moveable Front

SV-56F or  
BH-9667-96



SV-56R or  
BH-9667-97



### MC-302 & MC-303 10-5/8" Stationary Rear

Item	SVI part #	OEM #	Req	Description
	SV-56F			Multi-Lock Kit - Front
	BH-9667-96			Multi-Lock Kit without Leg - Front
	SV-56R			Multi-Lock Kit - Rear
	BH-9667-97			Multi-Lock Kit without Leg - Rear
1	BH-9667	1080800	1	Solid Steel Lift Leg
2	F-HC-0750-10-2000	S-3535	1	Capscrew
	F-LW-0750	G-103326	1	Lockwasher
3	BH-9666-96	1080852	1	Cover Plate
4	BH-9667-03	S-25534	1	Front Air Cylinder
5	BH-9666-90	S-18336	1	Hose
6	BH-9666-91	1080837	1	Bracket
7	F-HC-0312-18-0500	S-2911	2	Capscrew
8	F-JN-0625-18	S-2250	1	Jam Nut
9	BH-9666-92	S-27109	1	Clevis
10	F-RP-250-1750	S-14110	1	Roll Pin
11	BH-9666-93	1080835	1	Front Pawl
12	BH-9666-94	1080836	1	Hold Down
14	BH-9666-95	10808341		Leg Housing

Item	SVI part #	OEM #	Req	Description
15	F-HC-0250-20-0750	S-3975	2	Capscrew
16	BH-9667-01	S-18325	1	Air Valve
17	BH-9666-88	1080398	1	Bracket
18	BH-9666-89	S-18326	1	Special Valve Cap EC-105
19	F-HC-0375-16-1000	S-105	2	Capscrew
20	BH-9667-02	S-25502	1	Air Cylinder - Rear
21	F-TC-0375-16-1500	S-27368	2	12 pt. Capscrew
22	BH-9666-99	1080814	1	Bracket
23	F-JN-0625-18	S-2250	2	Jam Nut
24	F-JN-0312-24	S-7927	1	Jam Nut
25	BH-9666-98	1080813	1	Bracket
26	F-JN-0312-18	S-1087	1	Jam Nut
27	BH-9666-97	1080815	1	Rod
28	BH-9667-04	1082578	1	Pawl - Rear
29	BH-9666-87	S-22443	1	Roll Pin
30	BH-9667-05	S-27228	1	Bottom Plate
31	BH-9667-06	S-27227	2	Shim
32	BH-9667-07	S-27229	1	Top Plate

**TERMS AND CONDITIONS OF THE  
SALES ORDER  
FOR SVI INTERNATIONAL, INC.**

1. **GENERAL.** The terms and conditions of sales order outlined herein shall apply to the sale by SVI INTERNATIONAL, INC. (hereinafter referred to as "Company") of the items described on the facing page (hereinafter referred to as "Merchandise") to Purchaser.
2. **DELIVERY.** Delivery shall be deemed to be complete when the Merchandise has been shipped F.O.B. Company's plants in DeKalb, Illinois, Duarte, California; and Baltimore, Maryland ("Company's plants"). Shipments are subject to delays from causes or contingencies beyond the reasonable control of the Company. When otherwise not specified, shipments will be made in standard containers via carrier which, in the judgment of the Company, will result in the most practical method. Title and right of possession will pass to the Purchaser upon receipt by the carrier at the shipping point. If a customer of the Company should specify a specific carrier's method of shipment (i.e. UPS Next Day Air) and that carrier does not perform to the customer's expectations, freight credit to a customer's account will not be issued unless the Company can first obtain a credit.
3. **RISK OF LOSS.** Identification of the Merchandise under Uniform Commercial Code (hereinafter referred to as "UCC") Section 2-501 shall take place at the moment of shipment F.O.B. Company's plants. Risk of loss shall pass to the Purchaser when the Merchandise is shipped from the Company's plants.
4. **TITLE.** Title to the merchandise shall transfer to the Purchaser when the Merchandise is shipped from the Company's plants.
5. **WARRANTIES.** The Company guarantees its products to be free from defects in workmanship and raw materials for a period of one year from date of purchase. THIS WARRANTY IS EXPRESSLY IN LIEU OF ANY AND ALL WARRANTIES EXPRESS OR IMPLIED. COMPANY DOES NOT WARRANT THE MERCHANDISE IS MERCHANTABLE OR FIT FOR ANY PARTICULAR PURPOSE. Company's liability for breach of the terms of this Agreement, including any warranty, is limited to either refund of the invoice price of the Merchandise or at Company's option, replacement of the Merchandise free of charge, including transportation charges but not including the cost of labor. Purchaser has not relied on any statement or upon the conduct of Company with respect to the prospective use of the merchandise. Company shall not be liable for and Purchaser waives any and all claims for any loss or damage, directly or indirectly, arising from the use of the Merchandise and for punitive, incidental or consequential damages, including, but not limited to, damages to property, for loss of use, loss of time, loss of profit or loss of income. The Company does not authorize the sale of our products under any other warranty, expressed or implied.
6. **SETOFF.** All claims for money due or to become due from the Company shall be subject to deduction by the Company for any setoff or counterclaim arising out of this or any other claims of the Company or its affiliated companies, whether such setoff or counterclaim arose before or after any assignment by Purchaser.
7. **INDEMNIFICATION.** Purchaser agrees to indemnify the Company and hold it harmless from and against all claims, liability, loss, damage or expense, including reasonable counsel fees, arising from or by reason of any modifications or alterations made by Purchaser. If a customer of the Company modifies or alters any part, in any manner whatsoever, or uses any part in departure from recommended performance specifications, said customer agrees to indemnify and hold the Company harmless from and against all liability and expenses based on damage to property or injury to or death of any person arising out of or attributable to such modified or altered part. Further, the Company will not accept any such modified or altered part for credit to a customer's account.
8. **FREIGHT POLICY.** Freight charges on individual orders less than \$3,000 in net value are prepaid and added to invoice or collect F.O.B. shipping point. Freight charges (standard ground service and continental US only) on individual orders more than \$3,000 net value are paid by the Company F.O.B. shipping point. Note: customers with C.O.D. terms are responsible for all carrier C.O.D. fees regardless of order net value.
9. **RETURN POLICY.** To return parts for credit or inspection Purchaser must first contact the Company to obtain a Return Goods Authorization number (RGA#). Once Purchaser has obtained an RGA# the parts can be returned freight prepaid only. The RGA# must be on the outside of the container in a highly visible location. All parts must be returned freight prepaid and the shipment must include a letter of explanation giving the specific reason for return including details as to the conditions under which the part or parts operated. Note: parts returned without an RGA#, freight collect or without written explanation may be refused. Parts which have been used in any way or manner, including any installation or incorporation into a lift or hoist, shall NOT be eligible for return whether or not an RGA has been assigned.
10. **RESTOCK CHARGE.** Returns are subject to up to twenty-five (25%) restocking charge. Refusals are subject to the same restocking charge plus the cost of outbound and return freight charges and/or fees incurred by the Company due to shipment refusal.
11. **PRICES AND PAYMENTS.** All prices are subject to change without notice. All prices are F.O.B. shipping point. The Company standard terms are net 30 days, C.O.D. company check, C.O.D. cash, VISA, MasterCard, Discover or American Express. However, if in the judgment of the Company, the financial condition of the Purchaser at any time does not justify shipment according to standard terms of payment, the Company may require full or partial payment in advance.
12. **INTERPRETATION.** This sales order is intended by the parties as a complete and exclusive statement of the terms of their agreement. It supersedes all prior agreements, written or oral. No course of prior dealings between the parties and no usage of the trade shall be relevant to supplement or explain any terms used in this sales order. Acceptance or acquiescence in a course of performance rendered under this purchase order shall not be relevant to determine the meaning of this sales order even though the accepting or acquiescing party has knowledge of the nature of the performance and opportunity for objection. Whenever a term defined by the UCC is used in this sales order the definition contained in the UCC shall control.
13. **MODIFICATION.** This sales order can be modified or rescinded only by a writing signed by both parties.
14. **WAIVER.** No claim or right arising out of a breach of this sales order can be discharged in whole or in part by a waiver or renunciation of the claim or right unless such waiver or renunciation is supported by consideration and is in writing signed by the aggrieved party.
15. **ASSIGNMENT.** No right or interest in this sales order shall be assigned by either party without the written consent of the other and no delegation of any obligation owed, or of the performance of any obligation by either the Company or Purchaser shall be made without the written consent of the other party. Any attempted assignment or delegation not made in conformity with this paragraph shall be wholly void and totally ineffective for all purposes.
16. **TIME TO PERFORM AND BRING ACTION.** Time is of the essence of this sales order. Any action for breach of this sales order shall be commenced within two (2) years after the cause of action has accrued. Any party who loses any litigation shall reimburse the other party for costs including reasonable attorneys fees. The exclusive jurisdiction for any legal action shall be the Circuit Court of DeKalb County, Illinois.
17. **APPLICABLE LAW.** This sales order shall be governed by the UCC of Illinois as effective and in force on the date of this sales order.

***Offering the Best in Automotive Lift Repair Parts and More!***

---

Auto Lift Cables • Auto Lift Parts • Brake Lathe Repair Parts

Compressed Air Repair Parts • Exhaust System Products • Fluid Delivery Repair Parts

Lubrication Equipment Repair Parts • Repair Parts for Gasboy Consumer Series

Service Station Pump and Tank Products • SVI Misc Auto Lift Products and Catalogs

Tire Changer Repair Parts • Vehicle Lifting Systems • Wheel Balancer Accessories

---

***Serving the Industry Since 1977 • Same-Day Shipping***



**SVI International, Inc.**

**(800) 321-8173 • (815) 748-0200**

155 Harvestore Drive • DeKalb, IL 60115

**[www.sviinternational.com](http://www.sviinternational.com)**

**BALTIMORE • CHICAGO • LOS ANGELES**