

Automotive Lift

R E P A I R P A R T S



SVI International, Inc.
(800) 321-8173 • (815) 748-0200
155 Harvestore Drive • DeKalb, IL 60115
www.sviinternational.com

BALTIMORE • CHICAGO • LOS ANGELES

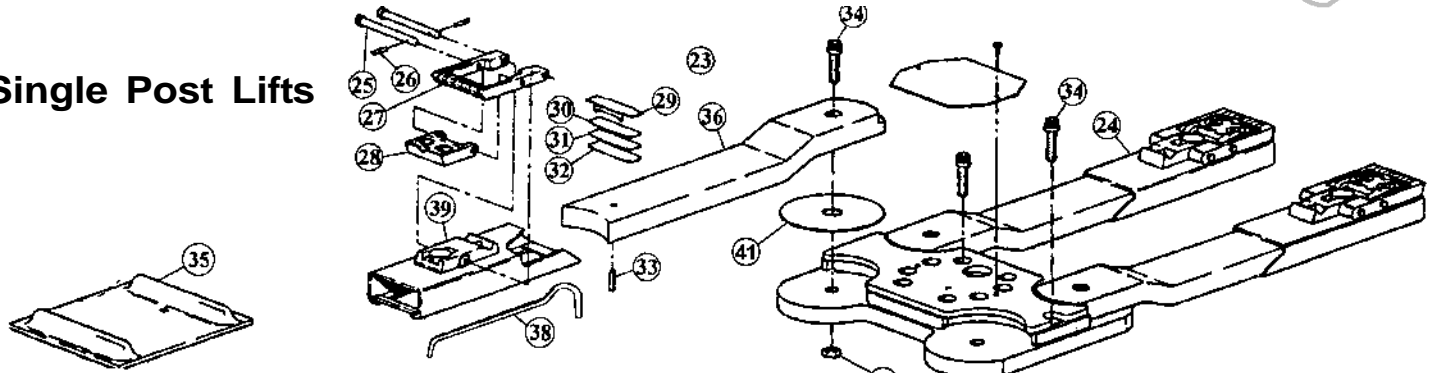
Repair Parts for: **Weaver**

Repair Parts for:
Weaver

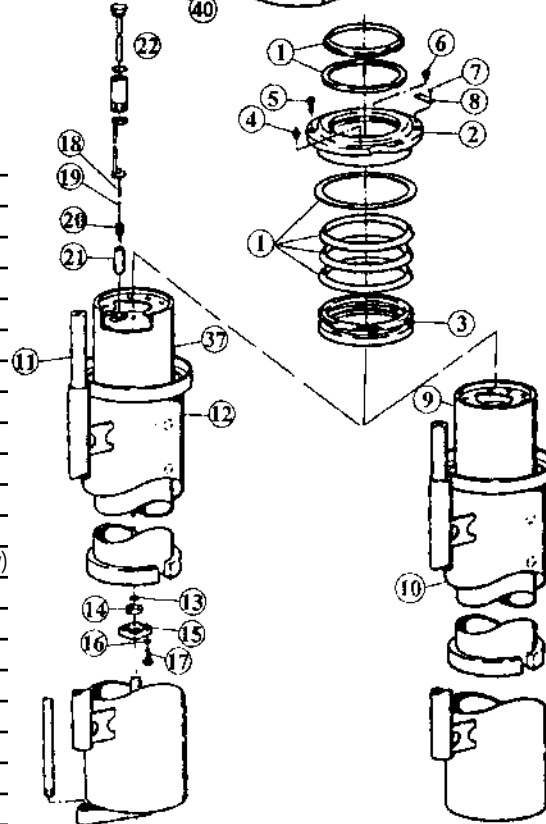
for lift model EC383/EC184 Series



Single Post Lifts



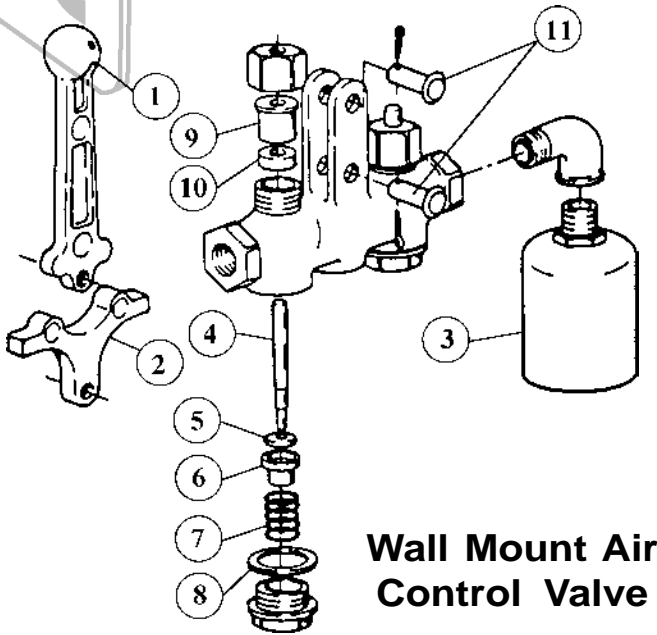
Item	SVI part #	OEM #	Req	Description
1	BH-1725	KL159	1	Hoist Packing Seal Kit
	BH-1725S	KL159	1	Leak Sealer Kit
	BH-1725C			for Challenger Hoist Packing Kit (uses white wiper)
	BH-1725CS			for Challenger Leak Sealer Packing Kit
2	BH-9620-17ATF	M-2114x	1	Adjust-to-Fit Upper Bearing
	BH-9620-17	M-2114	1	Upper Bearing
3	BH-9651	AS-11311	1	Packing Follower
4	BH-9620-18	S-5096	1	Grease Fitting
5	F-TC-0625-11-1250	S-23050	6	12 pt. Capscrew
6	BH-9620-20	S-25646	1	Relief Fitting
7	F-DS-2-0187	S-4515	2	Drive Screw
8	BH-9620-22	S-27802	1	Warning Plate
9	BH-9620-35	KL164	1	Plunger and Gland Kit (Full Hyd. Only)
10	BH-9620-36	AS-25281	1	Out Casing (Full Hyd.)
11	BH-TR-70	AS-25809	1	Non-Rotator (1089304)
12	BH-9620-33	AS-25288	1	Casing (Semi-Hyd.)
13	BH-9620-24	S-15182	1	O-Ring
14	BH-9620-25	S-15157	1	Tube Seal
15	BH-9620-26	M-2110	1	Seal Plate
16	F-LW-0375	S-1325	4	Lockwasher
17	F-HC-0375-16-1250	S-944	4	Capscrew
18	BH-9620-30	S-15162	1	Wire
19	BH-9620-31	S-23263	1	Capscrew
20	F-HN-0250-20	S-21268	1	Hex Nut
21	BH-9810	S-23265	1	Float
22	BH-9620-29	AS-25624	1	Float Hanger Assy.
23	BH-9620-01	AS-25000	1	Superstructure Complete
24	BH-9620-02	AS-24020	4	Sleeve/Adapter Assy.
	BH-9620-02B	AS-19995	4	Sleeve/Adapter Groove Style
	BH-9620-74	S-18774	4	Top Bushing for Grooved Arm
	BH-9620-75	S-18775	4	Bot. Bushing for Grooved Arm
25	BH-9620-03	S-19977	8	Clevis Pin
26	F-RP-125-0625	S-19326	8	Roll Pin
27	BH-9620-05	M-2139	4	High Adapter Pad
28	BH-9620-06	M-2138	4	Low Pad Adapter
29	BH-9620-07	S-25019	4	Shim Retainer



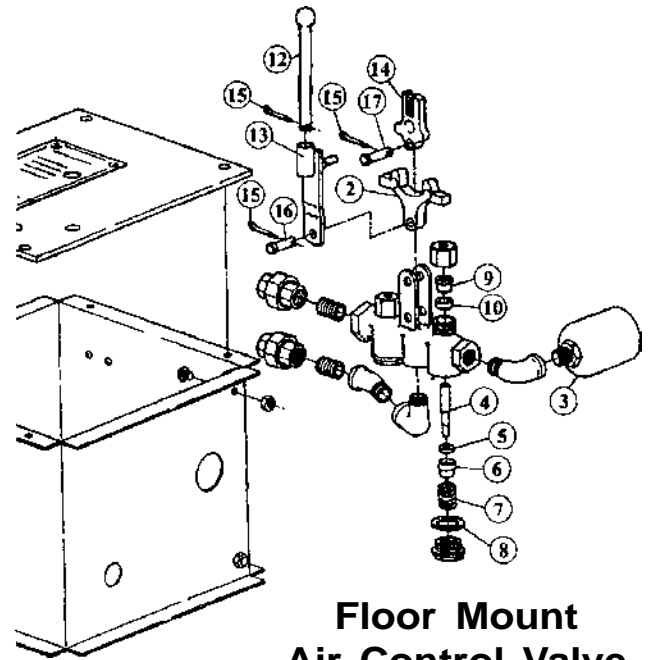
Item	SVI part #	OEM #	Req	Description
30	BH-9620-08	S25024	4	16 Gauge Shim
31	BH-9620-09	S-25025	4	20 Gauge Shim
32	BH-9620-10	S-25026	4	24 Gauge Shim
33	F-RP-375-1500	S-22952	4	Roll Pin
34	F-TC-0750-10-2500	S-25259	9	12pt Capscrew
35	BH-9701	S-23343	1	Wheel Spotting Dish - Single
	BH-9702			Wheel Spotting Dish - Dual
36	BH-9620-40	S-24905	4	Arm
37	BH-9620-35S	KL-168	1	Semi Hyd. Plunger/Gland
38	BH-9620-37	S-16956	1	Adapter Adjust. Handle
39	BH-9620-02C	M-2140	4	Adapter Base
40	F-HN-0750-10			Hex Nut 3/4"-10
41	BH-9420-23			Wear Washer

All names, numbers, symbols and descriptions are used for reference purposes only. It is not implied that any part listed is the product of these manufacturers; however, some parts may be the actual product of these manufacturers.

Air Valves and Repair Parts



Wall Mount Air Control Valve



Floor Mount Air Control Valve

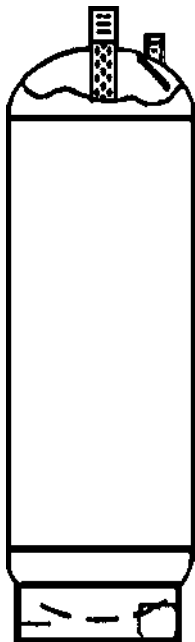
Item	SVI part #	OEM #	Req	Description
	BH-9625 NLA	AS-14797	1	Locking Air Valve substitute: FK-302-500
	BH-9626 NLA	AS-15928	1	Non-Locking Air Valve substitute: FK-303-500
1*	BH-9625-02	M-1662	1	Locking Air Valve Handle
1*	BH-9626-02	AS-15928	1	Non-Locking Handle
2*	BH-9625-03	M-2170	1	Rocker Arm
3	BH-9640	S-20154	1	Muffler
	BH-9642		1	Aluminum Muffler
4	BH-9628-06	S-8472	2	Valve Stem
5	BH-9628-03	S-8461	2	Seat Washer
6	BH-9628-04	S-8462	2	Seat Holder
7	BH-9628-05	S-8463	2	Valve Spring
8	BH-9628-07	S-25697	2	Valve Gasket

Item	SVI part #	OEM #	Req	Description
9	BH-9628-01	S-8453	2	Valve Gland
10	BH-9628-02	S-8454	2	Stem Packing
11	BH-9625-04	S-8459	2	Clevis Pin
4-11	BH-9628		1	Repair Kit
12	BH-9632-12	AS-19350	1	Floor Valve Handle
13	BH-9632-11	AS-19348	1	Floor Valve Lever
14	BH-9332-10	M-2126	1	Valve Control Handle
15	F-CP-125-0750	S-275	3	Cotter Pin
16	F-CV-0375-1375	S-19358	1	Clevis Pin
17	F-CV-0375-1250	S-19357	1	Clevis Pin

* For a locking air valve handle, order BH-9625-02 (M-1662)
 For a non-locking air valve handle, order BH-9626-02.
 The BH-9625-03 Rocker Arm is identical for both valves.

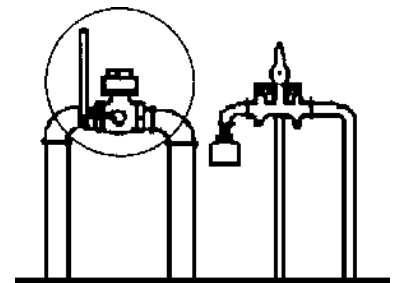
Hoist Air/Oil Tanks

For EC-184 Single Post:



SVI part #	Description
BH-9801C	36-Gallon Bottom Outlet
BH-9801FGC	Bottom Outlet Fiberglassed Tank
BH-9810	Low Oil Float 1/4-20 Threads
BH-9810-01	Eye Hook for BH-9810
BH-9830-15	15 lb. Zinc Anode
BH-9830-30	30 lb. Zinc Anode
BH-9900-02	2" x 100' Pipe/Tank Wrap Tape
BH-9900-04	4" x 100' Pipe/Tank Wrap Tape

Wall Mount Oil Control Valves



The choice is yours

SVI Valve #	Manufacturer	Description
FK-238	Morrison Bros.	External Spring Oil Valve
FK-438	Morrison Bros.	Internal Spring Oil Valve
FK-848	A.Y. McDonald	External Spring Oil Valve
FK-902	Milwaukee	External Spring Oil Valve

**TERMS AND CONDITIONS OF THE
SALES ORDER
FOR SVI INTERNATIONAL, INC.**

1. **GENERAL.** The terms and conditions of sales order outlined herein shall apply to the sale by SVI INTERNATIONAL, INC. (hereinafter referred to as "Company") of the items described on the facing page (hereinafter referred to as "Merchandise") to Purchaser.
2. **DELIVERY.** Delivery shall be deemed to be complete when the Merchandise has been shipped F.O.B. Company's plants in DeKalb, Illinois, Duarte, California; and Baltimore, Maryland ("Company's plants"). Shipments are subject to delays from causes or contingencies beyond the reasonable control of the Company. When otherwise not specified, shipments will be made in standard containers via carrier which, in the judgment of the Company, will result in the most practical method. Title and right of possession will pass to the Purchaser upon receipt by the carrier at the shipping point. If a customer of the Company should specify a specific carrier's method of shipment (i.e. UPS Next Day Air) and that carrier does not perform to the customer's expectations, freight credit to a customer's account will not be issued unless the Company can first obtain a credit.
3. **RISK OF LOSS.** Identification of the Merchandise under Uniform Commercial Code (hereinafter referred to as "UCC") Section 2-501 shall take place at the moment of shipment F.O.B. Company's plants. Risk of loss shall pass to the Purchaser when the Merchandise is shipped from the Company's plants.
4. **TITLE.** Title to the merchandise shall transfer to the Purchaser when the Merchandise is shipped from the Company's plants.
5. **WARRANTIES.** The Company guarantees its products to be free from defects in workmanship and raw materials for a period of one year from date of purchase. THIS WARRANTY IS EXPRESSLY IN LIEU OF ANY AND ALL WARRANTIES EXPRESS OR IMPLIED. COMPANY DOES NOT WARRANT THE MERCHANDISE IS MERCHANTABLE OR FIT FOR ANY PARTICULAR PURPOSE. Company's liability for breach of the terms of this Agreement, including any warranty, is limited to either refund of the invoice price of the Merchandise or at Company's option, replacement of the Merchandise free of charge, including transportation charges but not including the cost of labor. Purchaser has not relied on any statement or upon the conduct of Company with respect to the prospective use of the merchandise. Company shall not be liable for and Purchaser waives any and all claims for any loss or damage, directly or indirectly, arising from the use of the Merchandise and for punitive, incidental or consequential damages, including, but not limited to, damages to property, for loss of use, loss of time, loss of profit or loss of income. The Company does not authorize the sale of our products under any other warranty, expressed or implied.
6. **SETOFF.** All claims for money due or to become due from the Company shall be subject to deduction by the Company for any setoff or counterclaim arising out of this or any other claims of the Company or its affiliated companies, whether such setoff or counterclaim arose before or after any assignment by Purchaser.
7. **INDEMNIFICATION.** Purchaser agrees to indemnify the Company and hold it harmless from and against all claims, liability, loss, damage or expense, including reasonable counsel fees, arising from or by reason of any modifications or alterations made by Purchaser. If a customer of the Company modifies or alters any part, in any manner whatsoever, or uses any part in departure from recommended performance specifications, said customer agrees to indemnify and hold the Company harmless from and against all liability and expenses based on damage to property or injury to or death of any person arising out of or attributable to such modified or altered part. Further, the Company will not accept any such modified or altered part for credit to a customer's account.
8. **FREIGHT POLICY.** Freight charges on individual orders less than \$3,000 in net value are prepaid and added to invoice or collect F.O.B. shipping point. Freight charges (standard ground service and continental US only) on individual orders more than \$3,000 net value are paid by the Company F.O.B. shipping point. Note: customers with C.O.D. terms are responsible for all carrier C.O.D. fees regardless of order net value.
9. **RETURN POLICY.** To return parts for credit or inspection Purchaser must first contact the Company to obtain a Return Goods Authorization number (RGA#). Once Purchaser has obtained an RGA# the parts can be returned freight prepaid only. The RGA# must be on the outside of the container in a highly visible location. All parts must be returned freight prepaid and the shipment must include a letter of explanation giving the specific reason for return including details as to the conditions under which the part or parts operated. Note: parts returned without an RGA#, freight collect or without written explanation may be refused. Parts which have been used in any way or manner, including any installation or incorporation into a lift or hoist, shall NOT be eligible for return whether or not an RGA has been assigned.
10. **RESTOCK CHARGE.** Returns are subject to up to twenty-five (25%) restocking charge. Refusals are subject to the same restocking charge plus the cost of outbound and return freight charges and/or fees incurred by the Company due to shipment refusal.
11. **PRICES AND PAYMENTS.** All prices are subject to change without notice. All prices are F.O.B. shipping point. The Company standard terms are net 30 days, C.O.D. company check, C.O.D. cash, VISA, MasterCard, Discover or American Express. However, if in the judgment of the Company, the financial condition of the Purchaser at any time does not justify shipment according to standard terms of payment, the Company may require full or partial payment in advance.
12. **INTERPRETATION.** This sales order is intended by the parties as a complete and exclusive statement of the terms of their agreement. It supersedes all prior agreements, written or oral. No course of prior dealings between the parties and no usage of the trade shall be relevant to supplement or explain any terms used in this sales order. Acceptance or acquiescence in a course of performance rendered under this purchase order shall not be relevant to determine the meaning of this sales order even though the accepting or acquiescing party has knowledge of the nature of the performance and opportunity for objection. Whenever a term defined by the UCC is used in this sales order the definition contained in the UCC shall control.
13. **MODIFICATION.** This sales order can be modified or rescinded only by a writing signed by both parties.
14. **WAIVER.** No claim or right arising out of a breach of this sales order can be discharged in whole or in part by a waiver or renunciation of the claim or right unless such waiver or renunciation is supported by consideration and is in writing signed by the aggrieved party.
15. **ASSIGNMENT.** No right or interest in this sales order shall be assigned by either party without the written consent of the other and no delegation of any obligation owed, or of the performance of any obligation by either the Company or Purchaser shall be made without the written consent of the other party. Any attempted assignment or delegation not made in conformity with this paragraph shall be wholly void and totally ineffective for all purposes.
16. **TIME TO PERFORM AND BRING ACTION.** Time is of the essence of this sales order. Any action for breach of this sales order shall be commenced within two (2) years after the cause of action has accrued. Any party who loses any litigation shall reimburse the other party for costs including reasonable attorneys fees. The exclusive jurisdiction for any legal action shall be the Circuit Court of DeKalb County, Illinois.
17. **APPLICABLE LAW.** This sales order shall be governed by the UCC of Illinois as effective and in force on the date of this sales order.

Offering the Best in Automotive Lift Repair Parts and More!

Auto Lift Cables • Auto Lift Parts • Brake Lathe Repair Parts
Compressed Air Repair Parts • Exhaust System Products • Fluid Delivery Repair Parts
Lubrication Equipment Repair Parts • Repair Parts for Gasboy Consumer Series
Service Station Pump and Tank Products • SVI Misc Auto Lift Products and Catalogs
Tire Changer Repair Parts • Vehicle Lifting Systems • Wheel Balancer Accessories

Serving the Industry Since 1977 • Same-Day Shipping



SVI International, Inc.
(800) 321-8173 • (815) 748-0200
155 Harvestore Drive • DeKalb, IL 60115
www.sviinternational.com

BALTIMORE • CHICAGO • LOS ANGELES