

Automotive Lift

R E P A I R P A R T S



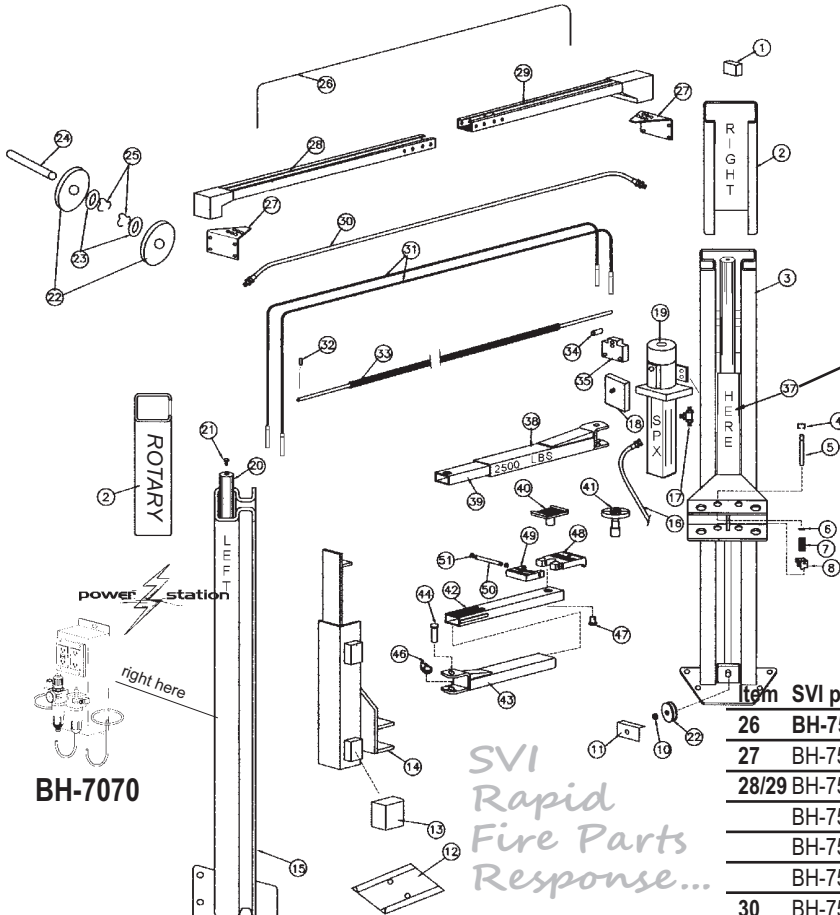
SVI International, Inc.
(800) 321-8173 • fax: (800) 899-1784
155 Harvestore Drive • DeKalb, IL 60115
www.sviinternational.com

BALTIMORE • CHICAGO • LOS ANGELES

Rotary

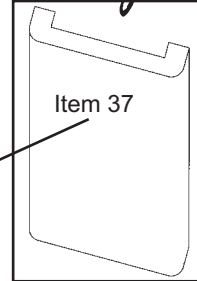
Repair Parts for:

Repair Parts for:
Rotary
LRC7500I



Lift Model SPOA10

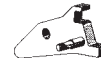
BH-7077-02-2 (pair)



For better all around vehicle protection nothing beats a doorjammerPRO. Install one today and put an end to the denting and dinging done to your customer's doors. Makes the service tech more efficient because it is easier to get in and out of vehicles. Don't be held accountable for dents and dings.

Arm Restraint Kit

SVI part #	OEM#	Description
BH-7508-42	N2148	Arm Restraint Kit



For all the carriage lock parts see index for "Two Post Carriage Locks"

BH-7070

*SVI
Rapid
Fire Parts
Response...*

Item	SVI part#	OEM#	Req	Description
1	BH-7545-01	N619	2	Cable Bracket
2*	BH-7545-09	N470	2	Column Extension
3*	BH-7545-03	N752	1	Left Column
4	BH-7508-20	FJ7985-1	4	Arm Restraint Release Loop
5	BH-7528-07	N121-1	4	Arm Restraint Pin
6	BH-7528-06	N119-3	4	C-Clip Truarc 5103-93
7	BH-7535-58	FJ7656-2	4	Arm Restraint Spring
8	BH-7545-17	N2121	4	Arm Restraint Engage Gear
9	BH-7530-01	SVI Exclusive	6	Sheave, Steel (for nylon see item 22)
10	BH-7500-62A	41411		Ext. Retaining Ring 5304-75
11	BH-7502-33	FJ7382-16	2	Debris Shield / Sheave Cover
12	BH-9701	SVI Exclusive	1	15" Wide Reach Wheel Spotter
	BH-9702	SVI Exclusive	1	15" Wide Reach Dual Spotter
13	BH-7510-03	FJ7360	8	Slider Block (cup style)
	BH-7515-65	FJ5106	2	Shim and Slider Kit (1 carriage)
14*	BH-7545-02	N822	2	Carriage
15*	BH-7545-04	N755	1	Right Column
16	BH-7512-41	FJ837	1	Power Unit Hose
17	BH-7535-69	FJ7668	1	Tee
18	BH-7515-69	FA7147-1	1	Capacitor Housing (not for SPX)
19	BH-7520-08	P1302	1	Power Unit 1Ø
20	BH-7545-10	N342	2	Hydraulic Cylinder 68" stroke
	BH-7545-12	N343	2	Hydraulic Cylinder 71" stroke
21	with cylinder		2	Bleeder Screw
22	BH-7530-01	SVI Exclusive	6	Sheave, Steel
	BH-7530-01N	N377	6	Sheave, Nylon
23	BH-7500-49B	41388	4	Spacer 1-1/2" x .045 thick
24	BH-7500-68	FJ7444-8	2	Sheave Shaft
25	BH-7500-62A	41411		Ext. Retaining Ring 5304-75

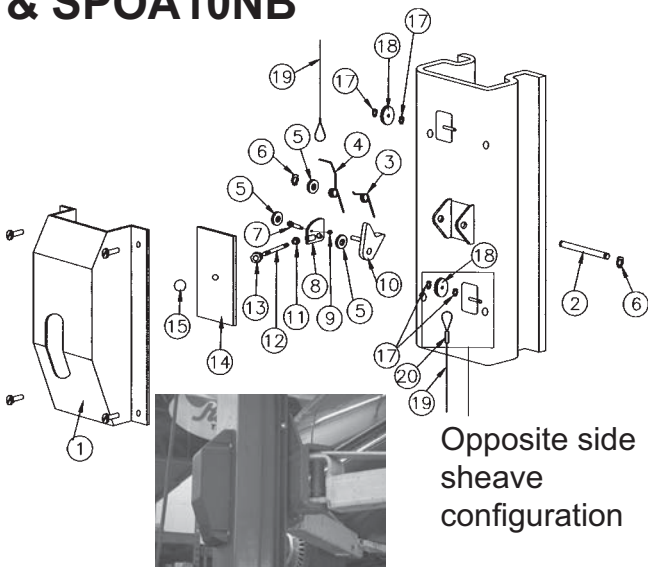
Item	SVI part#	OEM#	Req	Description
26	BH-7501-24	FJ7595-1	1	Lock Latch Release Cable
27	BH-7545-07	N439	2	Mounting Bracket
28/29	BH-7542-62	N444BL	1	L/R OH Assembly for 10" Col. (blue)
	BH-7528-88	N448BL	1	L/R OH Assembly for 12" Col. (blue)
	BH-7542-62R	N444RD	1	L/R OH Assembly for 10" Col. (red)
	BH-7528-89	N448RD	1	L/R OH Assembly for 12" Col. (red)
30	BH-7512-20	FJ839	1	Overhead Hydraulic Hose
	BH-7512-23	FJ842	1	Overhead Hydraulic Hose (EH-1)
	BH-7512-24	FJ843	1	Overhead Hydraulic Hose (EH-2)
31	BH-7529-86	N372	2	Equalizer Cable
	BH-7529-92	N378	2	Equalizer Cable (EH-1)
	BH-7529-88	N373	2	Equalizer Cable (EH-2)
32	BH-7503-29	FJ7871	1	Spacer
33	BH-7545-08	N467	1	Overhead Limit Bar
34	BH-7533-60	FJ6179	1	Limit Bar Adapter
35	BH-7503-65	N413	1	Overhead Limit Switch Assy 1Ø
	BH-7004-36	N413-1	1	Overhead Limit Switch only 1Ø
37	BH-7077-02-2	SVI Exclusive	1	doorjammerPRO protection (pair)
38	BH-7545-21	N2173-1	2	Outer Rear Swing Arm
39*	BH-7545-23	N2179-1	2	Inner Rear Swing Arm
	BH-7545-23C	N2173-2	2	Inner Rear Swing Arm Kit
40	BH-7536-96	FJ6182	4	Rubber Pad Adapter Base
	BH-7536-92P	FJ6158-4	4	Rubber Pad only
41	BH-7536-97	FJ6185	4	Spin-up Adapter w/Pad
42*	BH-7545-26	N2178-1	2	Inner Front Swing Arm
	BH-7545-26C	N2172-2	2	Inner Front Swing Arm Kit
43	BH-7545-27	N2172-1	2	Front Outer Swing Arm
44	BH-7545-54	N2154	4	Arm Swivel Pin
46	BH-7545-16	N2122	4	Arm Restraint Gear (not adjustable)
	BH-7545-16A	SVI Exclusive	4	Arm Restraint Gear (adjustable)
47	BH-9755-25L	FJ79-6	4	Adapter Swivel Pin
48	BH-9755-20	FJ6177	4	High Step Ductile Iron Adapter
	BH-9789-98	FJ697	4	Rubber Pad Adapter for Flip-Up
49	BH-9755-21	FJ6178	4	Low Step Ductile Iron Adapter
50	BH-7533-60	FJ6179	4	Adapter Pivot Pin
51	BH-9755-26	FJ671-6	8	Hog Ring Clip

* Custom order by request. Sample may be needed.

All names, numbers, symbols and descriptions are used for reference purposes only. It is not implied that any part listed is the product of these manufacturers; however, some parts may be the actual product of these manufacturers.



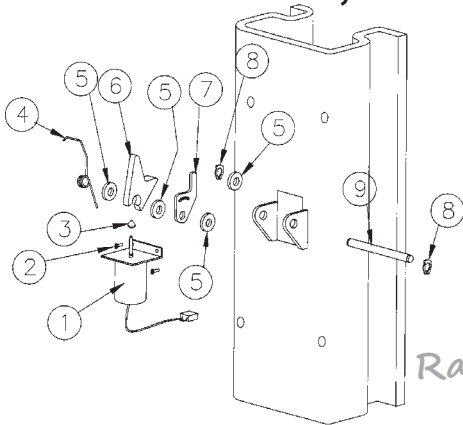
Lock Parts for SPO10, SPOA10 & SPOA10NB



For more information on Lock Parts, please see the "Common Lock Latching Kits and Parts" section.

Item	SVI part #	OEM #	Req	Description
1	BH-7504-51	GP1010	1	Latch Cover Kit w/ Screws
	F-MS-0312-18-0375			5/16-18 x 3/8 Machine Screw
2-6	BH-7503-11	FJ7382-2	1	Lock Latch Shaft / Spring Kit
5	BH-7500-49B	41388	8	3/4" x 1-1/2" Bushing (1 incl. in kit)
7	F-SB-0312-20-1250	40220		5/16-20 X 1-1/4 Shoulder Bolt
8	BH-7503-40	FJ7594-2	1	Control Plate
9	F-LN-0250-20			1/4-20 Lock Nut
10	BH-7519-66	N616	1	Lock Pawl
11	F-JN-0375-16			3/8-16 Jam Nut
12	BH-7503-17	FJ7382-18	1	Lock Release Handle
13	F-JN-0500-13			1/2-13 Jam Nut
14	BH-7519-61	N617	1	Cover (included with item 1)
15	BH-7503-45	FC134-91	1	Red Ball
17	BH-7510-16	41410		Ext. Retaining Ring 5304-37
18	BH-7501-26	FJ7322		Lock Cable Sheave
19	BH-7501-24	FJ7595-1	1	Locking Latch Release Cable
20	BH-7504-53	N63-1		Cable Clamp
KIT	BH-7503-41	FJ7595		Latch Cable Adjuster Kit (Includes parts 7, 8, 19 & 20)

Lock Parts for A8i, A10i & S10i

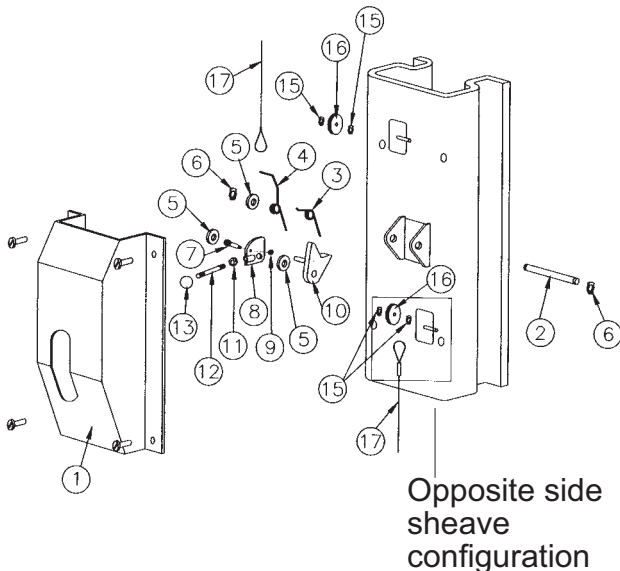


Rapid Fire Response...

SVI is your answer!

Item	SVI part #	OEM #	Req	Description
1	BH-7519-62	N613	1	Lock Solenoid 24 volt
	BH-7527-91	FA7484-6	1	Lock Solenoid 220 volt
2	F-MS-0312-18-0375		2	5/16-18 x 3/8 Machine Screw
3	BH-7519-69	N613-1	1	Pivot
4	BH-7519-65	N613-2	1	Lock Spring
5	BH-7500-49B	41388	4	Spacer 1-1/2" x .045 thick
6	BH-7519-66	N616	1	Lock Pawl
7	BH-7519-64	N613-3	1	Control Plate
8	BH-7500-62A	41411	2	Ext. Retaining Ring 5304-75
9	BH-7502-34	FJ7382-34	1	Lock Pawl Shaft

Lock Parts for SPO12



Item	SVI part #	OEM #	Req	Description
1	BH-7504-51	GP1010	1	Latch Cover Kit w/ Screws
	F-MS-0312-18-0375			5/16-18 x 3/8 Machine Screw
2-6	BH-7503-11	FJ7382-2	1	Lock Latch Shaft / Spring Kit
7	BH-7503-41	FJ7595		Latch Cable Adjuster Kit (Includes parts 7, 8 & 17)
8	BH-7503-40	FJ7594-2	1	Latch Control Plate Assembly
9	F-LN-0250-20		1	1/4-20 Lock Nut
10	BH-7528-01	N165-1	1	Lock Pawl
11	F-JN-0375-16			3/8-16 Jam Nut
12	BH-7503-17	FJ7382-18	1	Lock Release Handle
13	BH-7503-45	FC134-91	1	Red Ball
15	BH-7510-16	41410	4	Ext. Retaining Ring 5304-37
16	BH-7501-26	FJ7322		Lock Cable Sheave
17	BH-7501-24	FJ7595-1	1	Locking Latch Release Cable



Seal Kits for 2- and 4-Post Surface Lifts

For Lift Models Part #	SVI Seal Kit Part #	SVI Cylinder Part #
SP70 and SP74	BH-7511-09	BH-7503-95
SP80 to SP80-3	BH-7511-12	BH-7511-01
SP84 to SP84-7	BH-7511-14 BH-7511-11	
SP55, SP80-4, SP80-5, SP84-8, SP84-9, SP84-10, SP84-11, SP84-16, SPO84, SPOA84, AR94, SP94, SPO94, SPOA84LC	BH-7511-10* BH-7511-11** BH-7511-10U*** BH-7511-10E (blue seal only)	BH-7511-06
AR98, ARO98, SPO82, SPOA82, SP88, SP98, SPO88, SPOA88, DCOA7, SPOA98	BH-7511-10* BH-7511-11** BH-7511-10U*** BH-7511-10E (blue seal only)	BH-7511-03
AR9, ARO9, SP7, SPO7, SPOA7, SP9, SPO9, SPOA9, TLO7	BH-7511-10* BH-7511-11** BH-7511-10U*** BH-7511-10E (blue seal only)	BH-7508-53
SPO12-10	BH-7511-10* BH-7511-11** BH-7511-10U*** BH-7511-10E (blue seal only)	BH-7508-53
SPO10, SPOA10	BH-7545-11 68" Stroke/Rise	BH-7545-15
A7IP, SPO10, SPOA10, A10IB, A10IP, SPO40, SPO54, S10IB, S10IP	BH-7545-13 71" Stroke/Rise	BH-7545-12
SPO12, SPO15, SPO18	BH-7535-24* BH-7535-25**	BH-7535-26
SPAKC7, SPOA7LC	BH-7535-30	BH-7535-31
FLS12, FLS15	BH-7512-22SK	BH-7516-23
AR90, AR91, SM90, SM91, CWA90	BH-7513-01* BH-7513-02**	BH-7517-17 (clevis style) BH-7513-61 (bracket style)
AR120, AR121, SM101, SM120 SM121, CWA120, QL4P	BH-7501-63* BH-7501-64**	BH-7517-18
AR123, SM123, SMO123, etc.	BH-7531-42U	BH-
AR122, ARO122, SM122, QL4P	BH-7531-42	BH-7517-18
SM181	BH-7531-69	BH-7531-65
SM250, SM500m, SM600	BH-7531-24A	BH-7531-24

BH-7511-09



BH-7511-12



BH-7511-14



BH-7511-10



BH-7511-11



BH-7511-10U • Universal



BH-7545-11



BH-7545-13



BH-7535-24



BH-7535-25



BH-7535-30



BH-7512-22SK

*picture
not on file*

BH-7513-01



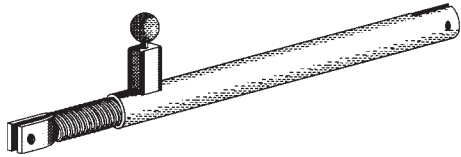
BH-7513-02



* This cylinder will have the word "PACOMA" stamped on the barrel.
 ** This cylinder will have no markings or TH or TX, which means it was produced by Texas Hydraulic.
 *** Universal Seal Kit; It contains all of the seals from both kits. Carry this kit and be ready, regardless.

All names, numbers, symbols and descriptions are used for reference purposes only. It is not implied that any part listed is the product of these manufacturers; however, some parts may be the actual product of these manufacturers.

**(Seal Kit Pictures Continue
on the Following Page)**



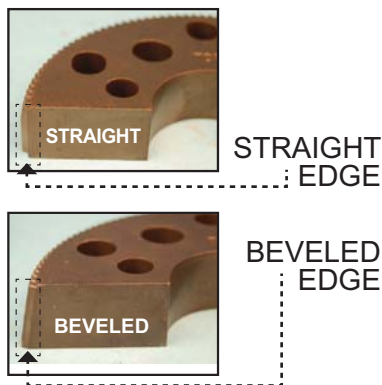
Rotary Arm Restraints

	SP55, SP84, SPO84, SP94, SPO94	SPOA84	SP88, SPO88, SP98, SPO98	SPOA88, SPOA98	SPO7	SPOA7, SPO9, SPOA9, SPO12	SPO7, SPO9, SPOA7 & SPOA9 -200 series	SPOA10 -500
SETS	BH-7508-12 For 1 Lift (FJ7233)	BH-7508-13 For 1 Lift (FJ7259)	BH-7508-14 For 1 Lift (FJ7359)	BH-7508-15 For 1 Lift (FJ7366)	BH-7508-21 Order 4 per lift	BH-7508-22 Order 4 per lift	BH-7508-22A Order 4 per lift	BH-7508-42 For 1 Lift (N2148)
LF	BH-7508-04 (FJ7516)	BH-7508-07 (FJ7519)	BH-7503-50 (FJ7522)	BH-7508-01F (FJ7524)	BH-7508-21	BH-7508-22	BH-7508-22A	
RF	BH-7508-05 (FJ7517)	BH-7508-06 (FJ7518)	BH-7503-50 (FJ7522)	BH-7508-01F (FJ7524)	BH-7508-21	BH-7508-22	BH-7508-22A	
RR	BH-7508-04 (FJ7516)	BH-7508-09 (FJ7521)	BH-7503-50 (FJ7522)	BH-7508-01F (FJ7523)	BH-7508-21	BH-7508-22	BH-7508-22A	
LR	BH-7508-05 (FJ7517)	BH-7508-08 (FJ7520)	BH-7503-50 (FJ7522)	BH-7508-01R (FJ7523)	BH-7508-21	BH-7508-22	BH-7508-22A	

Retrofit Kits

for lifts that never had arm restraints

SP94 / SPO94:	BH-7507-73	(FJ7254)
SP84 / SPO84:	BH-7508-12A	(FJ7252)
SPOA84:	BH-7507-98	(FJ7276)



Common Arm Restraint Parts

BH-7503-45	FC134-91	Ball
BH-7503-46	FC134-89	Spring
BH-7503-47	FJ7233-25	Plunger
BH-7504-57	GP1019	Ball/Spring/Plunger Kit
BH-7503-48	FJ7233-22	Clevis Pin
F-CV-375-1250	FJ7359-2	Clevis Pin
BH-7536-60	FJ7831	Arm Restraint Gear (SPO15/18)
BH-7508-16	FJ7750	Arm Restraint Gear
BH-7508-16A	N2122	Arm Restraint Gear - Adj.
BH-7508-16SA	N2122	Arm Restraint Gear - Super Adj.
BH-7508-17	FJ7749	Arm Restraint Engage Gear
BH-7545-16	N2122	Arm Restraint Gear
BH-7545-17	N2121	Arm Restraint Engage Gear

**To ensure the proper fit:
NEVER mix straight edge with a beveled edge.**



**TERMS AND CONDITIONS OF THE
SALES ORDER
FOR SVI INTERNATIONAL, INC.**

1. **GENERAL.** The terms and conditions of sales order outlined herein shall apply to the sale by SVI INTERNATIONAL, INC. (hereinafter referred to as "Company") of the items described on the facing page (hereinafter referred to as "Merchandise") to Purchaser.
2. **DELIVERY.** Delivery shall be deemed to be complete when the Merchandise has been shipped F.O.B. Company's plants in DeKalb, Illinois, Duarte, California; and Baltimore, Maryland ("Company's plants"). Shipments are subject to delays from causes or contingencies beyond the reasonable control of the Company. When otherwise not specified, shipments will be made in standard containers via carrier which, in the judgment of the Company, will result in the most practical method. Title and right of possession will pass to the Purchaser upon receipt by the carrier at the shipping point. If a customer of the Company should specify a specific carrier's method of shipment (i.e. UPS Next Day Air) and that carrier does not perform to the customer's expectations, freight credit to a customer's account will not be issued unless the Company can first obtain a credit.
3. **RISK OF LOSS.** Identification of the Merchandise under Uniform Commercial Code (hereinafter referred to as "UCC") Section 2-501 shall take place at the moment of shipment F.O.B. Company's plants. Risk of loss shall pass to the Purchaser when the Merchandise is shipped from the Company's plants.
4. **TITLE.** Title to the merchandise shall transfer to the Purchaser when the Merchandise is shipped from the Company's plants.
5. **WARRANTIES.** The Company guarantees its products to be free from defects in workmanship and raw materials for a period of one year from date of purchase. THIS WARRANTY IS EXPRESSLY IN LIEU OF ANY AND ALL WARRANTIES EXPRESS OR IMPLIED. COMPANY DOES NOT WARRANT THE MERCHANDISE IS MERCHANTABLE OR FIT FOR ANY PARTICULAR PURPOSE. Company's liability for breach of the terms of this Agreement, including any warranty, is limited to either refund of the invoice price of the Merchandise or at Company's option, replacement of the Merchandise free of charge, including transportation charges but not including the cost of labor. Purchaser has not relied on any statement or upon the conduct of Company with respect to the prospective use of the merchandise. Company shall not be liable for and Purchaser waives any and all claims for any loss or damage, directly or indirectly, arising from the use of the Merchandise and for punitive, incidental or consequential damages, including, but not limited to, damages to property, for loss of use, loss of time, loss of profit or loss of income. The Company does not authorize the sale of our products under any other warranty, expressed or implied.
6. **SETOFF.** All claims for money due or to become due from the Company shall be subject to deduction by the Company for any setoff or counterclaim arising out of this or any other claims of the Company or its affiliated companies, whether such setoff or counterclaim arose before or after any assignment by Purchaser.
7. **INDEMNIFICATION.** Purchaser agrees to indemnify the Company and hold it harmless from and against all claims, liability, loss, damage or expense, including reasonable counsel fees, arising from or by reason of any modifications or alterations made by Purchaser. If a customer of the Company modifies or alters any part, in any manner whatsoever, or uses any part in departure from recommended performance specifications, said customer agrees to indemnify and hold the Company harmless from and against all liability and expenses based on damage to property or injury to or death of any person arising out of or attributable to such modified or altered part. Further, the Company will not accept any such modified or altered part for credit to a customer's account.
8. **FREIGHT POLICY.** Freight charges on individual orders less than \$3,000 in net value are prepaid and added to invoice or collect F.O.B. shipping point. Freight charges (standard ground service and continental US only) on individual orders more than \$3,000 net value are paid by the Company F.O.B. shipping point. Note: customers with C.O.D. terms are responsible for all carrier C.O.D. fees regardless of order net value.
9. **RETURN POLICY.** To return parts for credit or inspection Purchaser must first contact the Company to obtain a Return Goods Authorization number (RGA#). Once Purchaser has obtained an RGA# the parts can be returned freight prepaid only. The RGA# must be on the outside of the container in a highly visible location. All parts must be returned freight prepaid and the shipment must include a letter of explanation giving the specific reason for return including details as to the conditions under which the part or parts operated. Note: parts returned without an RGA#, freight collect or without written explanation may be refused. Parts which have been used in any way or manner, including any installation or incorporation into a lift or hoist, shall NOT be eligible for return whether or not an RGA has been assigned.
10. **RESTOCK CHARGE.** Returns are subject to up to twenty-five (25%) restocking charge. Refusals are subject to the same restocking charge plus the cost of outbound and return freight charges and/or fees incurred by the Company due to shipment refusal.
11. **PRICES AND PAYMENTS.** All prices are subject to change without notice. All prices are F.O.B. shipping point. The Company standard terms are net 30 days, C.O.D. company check, C.O.D. cash, VISA, MasterCard, Discover or American Express. However, if in the judgment of the Company, the financial condition of the Purchaser at any time does not justify shipment according to standard terms of payment, the Company may require full or partial payment in advance.
12. **INTERPRETATION.** This sales order is intended by the parties as a complete and exclusive statement of the terms of their agreement. It supersedes all prior agreements, written or oral. No course of prior dealings between the parties and no usage of the trade shall be relevant to supplement or explain any terms used in this sales order. Acceptance or acquiescence in a course of performance rendered under this purchase order shall not be relevant to determine the meaning of this sales order even though the accepting or acquiescing party has knowledge of the nature of the performance and opportunity for objection. Whenever a term defined by the UCC is used in this sales order the definition contained in the UCC shall control.
13. **MODIFICATION.** This sales order can be modified or rescinded only by a writing signed by both parties.
14. **WAIVER.** No claim or right arising out of a breach of this sales order can be discharged in whole or in part by a waiver or renunciation of the claim or right unless such waiver or renunciation is supported by consideration and is in writing signed by the aggrieved party.
15. **ASSIGNMENT.** No right or interest in this sales order shall be assigned by either party without the written consent of the other and no delegation of any obligation owed, or of the performance of any obligation by either the Company or Purchaser shall be made without the written consent of the other party. Any attempted assignment or delegation not made in conformity with this paragraph shall be wholly void and totally ineffective for all purposes.
16. **TIME TO PERFORM AND BRING ACTION.** Time is of the essence of this sales order. Any action for breach of this sales order shall be commenced within two (2) years after the cause of action has accrued. Any party who loses any litigation shall reimburse the other party for costs including reasonable attorneys fees. The exclusive jurisdiction for any legal action shall be the Circuit Court of DeKalb County, Illinois.
17. **APPLICABLE LAW.** This sales order shall be governed by the UCC of Illinois as effective and in force on the date of this sales order.

Offering the Best in Automotive Lift Repair Parts and More!

Auto Lift Cables • Auto Lift Parts • Brake Lathe Repair Parts

Compressed Air Repair Parts • Exhaust System Products • Fluid Delivery Repair Parts

Lubrication Equipment Repair Parts • Repair Parts for Gasboy Consumer Series

Service Station Pump and Tank Products • SVI Misc Auto Lift Products and Catalogs

Tire Changer Repair Parts • Vehicle Lifting Systems • Wheel Balancer Accessories

Serving the Industry Since 1977 • Same-Day Shipping



SVI International, Inc.

(800) 321-8173 • fax: (800) 899-1784

155 Harvestore Drive • DeKalb, IL 60115

www.sviinternational.com

BALTIMORE • CHICAGO • LOS ANGELES