

Automotive Lift

R E P A I R P A R T S



SVI International, Inc.
(800) 321-8173 • fax: (800) 899-1784
155 Harvestore Drive • DeKalb, IL 60115
www.sviinternational.com

BALTIMORE • CHICAGO • LOS ANGELES

Repair Parts for: **Rotary**

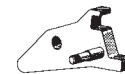
Repair Parts for:
Rotary
LRC7500I

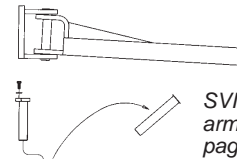


Insist on only SVI "Direct Fit" brand Lift Repair Parts.

entire contents copyright © 2010 SVI International, Inc.

for models SP7 and SP9

 For all the carriage lock parts see index for "Two Post Carriage Locks"

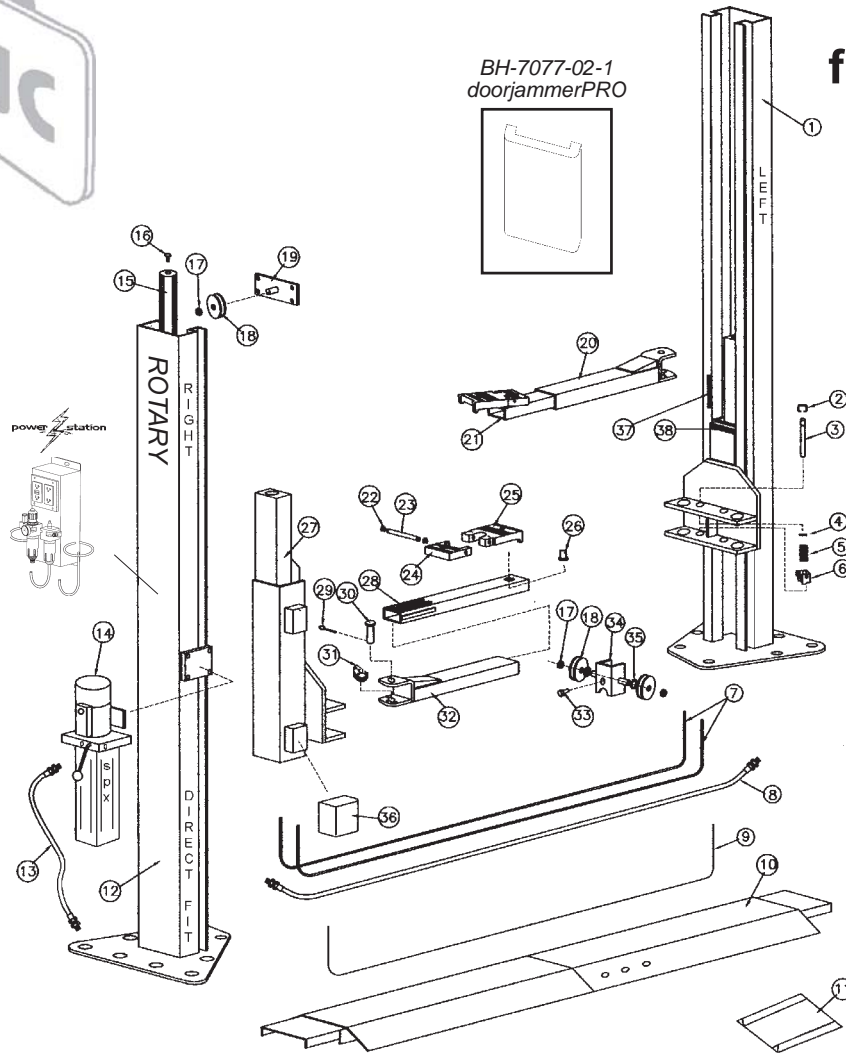
 SVI Exclusive sag stopping arm pins for Rotary lifts. See page for more details.

Cable kits including fasteners are also available.

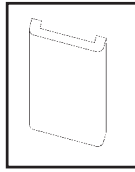
 SVI Exclusive adjustable arm restraint main gear.

SVI has two styles, one that is an exact replacement part, the other has elongated mounting holes that allow for precise adjustment of the main gear. Why? As the lift begins to wear over time, the swing arms begin to slightly sag from normal wear. This condition causes the main gear to be forced forward into the engaging gear. As the fit tightens, additional interference may result in increased wear on both gears and possibly impaired function.

Specify the BH-7508-16A to achieve precise mating between the main gear and the engaging gear. SVI is your answer!



BH-7077-02-1 doorjammerPRO



Item	SVI part #	OEM #	Req	Description
1	call for details	FJ7776	1	Left Column (SP7)
	call for details	FJ7783	1	Left Column (SP9)
2	BH-7508-20	FC5104-6	4	Arm Restraint Release Loop
3	BH-7508-18	FJ7646-1	4	Arm Restraint Pin (SP7)
	BH-7535-57	FJ7656-1	4	Arm Restraint Pin (SP9)
4	BH-7535-47	FJ7646-2	4	Ext. Retaining Ring
5	BH-7508-19	FJ7813-10	4	Arm Restraint Spring (SP7)
	BH-7535-58	FJ7656-2	4	Arm Restraint Spring (SP9)
6	BH-7508-17	FJ7749	4	Arm Restraint Engage Gear
7	BH-7500-21	FJ7422	2	Equalizer Cable (SP7)
	BH-7500-20	FJ7421	2	Equalizer Cable (SP9)
8	BH-7512-08	FJ7356	1	Hydraulic Hose (SP7)
	BH-7502-82	FJ7434	1	Hydraulic Hose (SP9)
9	BH-7501-25	FJ7594-1	1	Lock Latch Release Cable
10	BH-7509-83	FJ576	1	Center Cover Kit
11	BH-9701	FF729	1	15" Wide Reach Wheel Spotter
	BH-9702	SVI Exclusive	1	15" Wide Reach Dual Spotter
12	call for details	FJ7777	1	Right Column
13	BH-7512-41	FJ837	1	Power Unit Hose
14	BH-7006-01	P602	1	Power Unit
15	BH-7506-13	FJ7352-1	2	Hydraulic Cylinder
16	call for details			Cylinder Bleeder Screw
17	BH-7500-62A	41411		Ext. Retaining Ring 5304-75
18	BH-7500-50	SVI Exclusive	6	Sheave, Steel
	BH-7500-50N	FJ7116-1	6	Sheave, Nylon
19	BH-7503-74B	FJ7780-1	2	Upper Sheave Holder

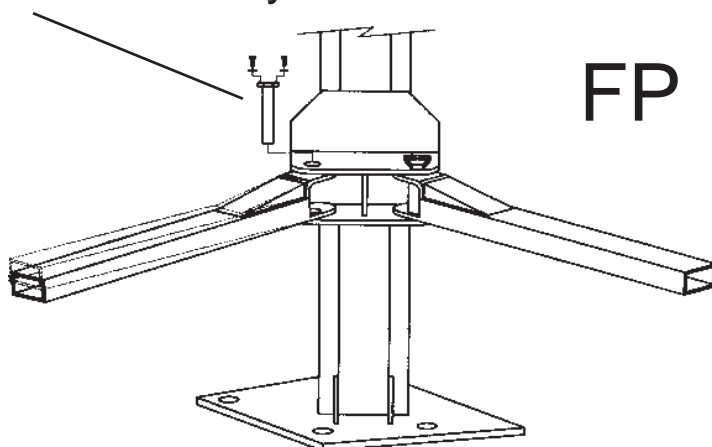
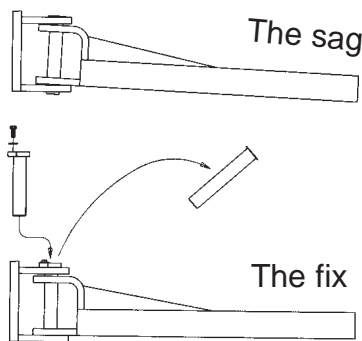
Item	SVI part #	OEM #	Req	Description
20	BH-7536-04	FJ7763-1	4	Outer Swing Arm (SP7)
	BH-7503-91	FJ7772-1	4	Outer Swing Arm (SP9)
21	BH-7503-92	FJ7416-2	4	Inner Swing Arm
	BH-7503-92C		4	Inner Swing Arm Kit
22	BH-9755-26	FJ671-6	8	Hog Ring Clip
23	BH-9755-22	FJ971-3	4	Adapter Pivot Pin
24	BH-9755-21	FJ671-2	4	Low Step Ductile Iron Adapter
25	BH-9755-20	FJ671-1	4	High Step Ductile Iron Adapter
26	BH-9755-25L	FJ79-6	4	Adapter Swivel Pin
27	call for details	FJ7778	2	Carriage (SP7)
	BH-7536-15	FJ7785	2	Carriage (SP9)
28	BH-7503-92	FJ7416-2	4	Inner Swing Arm
	BH-7503-92C		4	Inner Swing Arm Kit
29	F-CP-187-2000	41250	4	3/16" x 2" Cotter Pin
30	BH-7505-14	FJ7838	4	Arm Swivel Pin
	BH-7505-14FP	SVI Exclusive	4	Arm Swivel Pin (fixes arm sag)
31	BH-7508-16A	SVI Exclusive	4	Arm Restraint Gear (adjustable)
	BH-7508-16	FJ7750	4	Arm Restraint Gear (not adjustable)
32	BH-7536-04	FJ7763-1	4	Outer Swing Arm (SP7)
	BH-7503-91	FJ7772-1	4	Outer Swing Arm (SP9)
33	F-HC-0250-20-1000		2	1/4-20 x 1 Hex Head Capscrew
34	BH-7500-67	FJ7425-6	2	Lower Sheave Holder
35	BH-7500-49B	41388	4	Spacer 1-1/2" x .045 thick
36	BH-7510-03	FJ7360	8	Slider Block (cup style)
37	BH-7077-02-1	SVI Exclusive	2	doorjammerPRO single
38	BH-7077-02-2	SVI Exclusive	1	doorjammerPRO pair

All names, numbers, symbols and descriptions are used for reference purposes only. It is not implied that any part listed is the product of these manufacturers; however, some parts may be the actual product of these manufacturers.



SVI Exclusive solution...

Sag stopping arm pins for Rotary lifts.



SVI is constantly working to solve age and wear related issues on lift models.

One example we have encountered and successfully addressed is arm sag on many two post surface mount lifts. The arm sag problem is commonly found on lifts where the swing arm mounts inside the carriage arm support plates. In this style design, the bottom arm support plate on the carriage acts as a pivot point. Meaning, the top plate experiences inward load pressure resulting in the arm pin wearing and elongating the top hole. This results in unwanted arm sag and concerns most lift owners.

Thanks to SVI "FP" style arm pins with top positioning fixed plate for Rotary lifts, arm sag can be eliminated or reduced.

Installation only requires a level, a drill, drill bits, 3/8"-16 tap, two 3/8"-16 x 1" grade 8 capscrews and two 3/8" lockwashers per arm.

Fasteners included.

Part #	Replace What	For Model	OAL Length
BH-7505-14FP	FJ7838	SP7	8.56"
BH-7505-14FP	FJ7838	SP9	8.56"
BH-7505-14FP	FJ7838	SPO7	8.56"
BH-7502-60FP	FJ7453-4	SPO7	6.00"
BH-7505-14FP	FJ7838	SPO9	8.56"
BH-7502-60FP	FJ7453-4	SPO9	6.00"
BH-7505-15FP	FJ7834	SPOA7	7.50"
BH-7505-14FP	FJ7838	SPOA9	8.56"
BH-7502-02FP	FJ7152	SPOA84	7.30"
BH-7502-02FP	FJ7152	SPOA88	7.30"
BH-7503-36FP	FJ7501	SPOA98	8.44"
BH-7502-12FP			7.00"

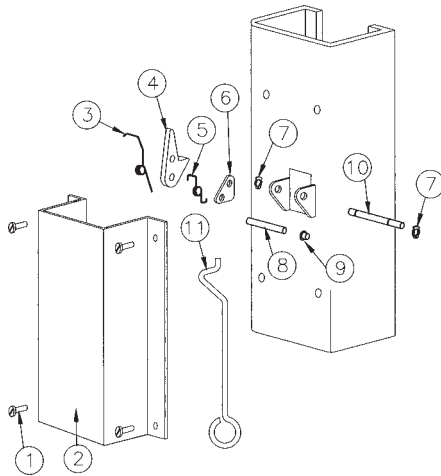
Installation is simple:

- 1) Level all four arms so adapter pad contact is equal at all four lifting points and brace in place.
- 2) Insert new "FP" arm pin and push to back (toward carriage) of arm pin hole in the carriage top arm support plate.
- 3) With the pin in position drill and tap the holes right through the bolt holes, using them as your guide.
- 4) Screw in the bolts and tighten, you're finished. Mission accomplished, arm sag neutralized and another happy lift owner thanks to SVI.



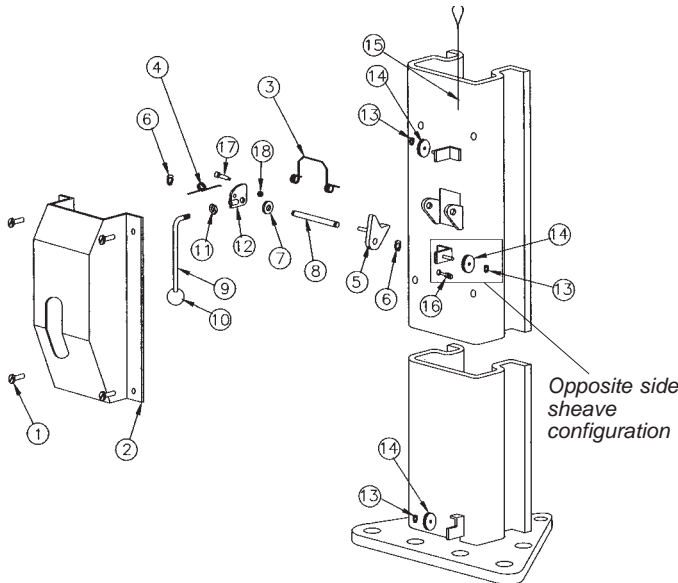
Lock Parts for SPOA77 & DCOA7

Rapid Fire Response



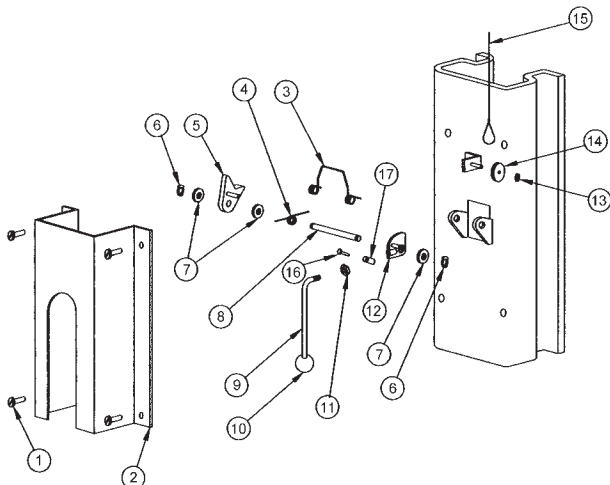
Item	SVI part #	OEM #	Req	Description
1	F-MS-0312-18-0375		8	5/16-18 x 3/8 Machine Screw
2	BH-7502-50	FJ7451	1	Cover
3	BH-7503-31	FJ7566-10	2	Lock Latch Spring
4	BH-7503-15	FJ7382-8	2	Lock Latch Pawl
5	BH-7503-35	FJ7566-18	2	Spring
6	BH-7503-33	FJ7566-12	2	Plate
7	BH-7500-62A	41411	4	Ext. Retaining Ring 5304-75
8	BH-7503-32	FJ7566-11	2	Pivot Pin
9	BH-7503-34	FJ7566-16	2	Push Nut
10	BH-7503-30	FJ7566-9	2	Latch Shaft
11	BH-7535-07	FJ7566-15	2	Lock Release Handle

Lock Parts for SP7 & SP9



Item	SVI part #	OEM #	Req	Description
1	F-MS-0312-18-0375		4	5/16-18 x 3/8 Machine Screw
2	BH-7502-51	FJ7452	1	Main Side Cover (slotted)
	BH-7502-50	FJ7451	1	Opposite Side Cover (no slot)
3	BH-7503-10	FJ7382-2	2	Lock Latch Spring
4	BH-7503-16	FJ7382-9	2	Spring
5	BH-7503-14	FJ7382-7	2	Lock Latch Pawl
6	BH-7500-62A	41411	4	Ext. Retaining Ring 5304-75
7	BH-7500-49B	41388	2	3/4" x 1-1/2" Bushing
8	BH-7503-11	FJ7382-3	2	Lock Shaft and Spring Kit
9	BH-7503-17	FJ7382-18	1	Lock Release Handle
10	BH-7503-45	FC134-91	1	Red Ball
11	F-JN-0375-16		1	3/8" Jam Nut
12	BH-7503-40	FJ7594-2	1	Control Plate Main Side
	BH-7503-13	FJ7382-5	1	Control Plate Opposite Side
13	BH-7537-59B	41410	2	Ext. Retaining Ring 5304-37
14	BH-7501-26	FJ7322	2	Lock Cable Sheave
15	BH-7501-24	FJ7594-1	1	Locking Latch Release Cable
16	BH-7535-18	FJ7594-3	1	Latch Cable Adjuster
17	F-SB-0250-20-1000		2	1/4-20 x 1 Shoulder Bolt
18	F-LN-0250-20		2	1/4-20 Lock Nut

Lock Parts for SP88 & SPO88



Item	SVI part #	OEM #	Req	Description
1	F-MS-0312-18-0375			5/16-18 x 3/8 Machine Screw
2	BH-7502-51	FJ7452	1	Main Side Cover (slotted)
	BH-7502-50	FJ7451	1	Opposite Side Cover (no slot)
3	BH-7503-10	FJ7382-2	2	Lock Spring
4	BH-7503-16	FJ7382-9	2	Spring
5	BH-7503-14	FJ7382-7	2	Lock Latch Pawl
6	BH-7500-62A			Ext. Retaining Ring 5304-75
7	BH-7500-49B	41388	2	3/4" x 1-1/2" Bushing
8	BH-7503-11	FJ7382-3	2	Lock Shaft
9	BH-7503-17	FJ7382-18	1	Lock Release Handle
10	BH-7503-45	FC134-9-10	1	Red Ball
11	F-JN-0375-16			3/8" Jam Nut
12	BH-7503-40	FJ7594-2	2	Control Plate
13	BH-7535-59B	41410		Ext. Retaining Ring 5304-37
14	BH-7501-26	FJ7322	2	Lock Cable Sheave
15	BH-7501-24	FJ7594-1	1	Locking Latch Release Cable
16	F-HC-0250-20-0500		2	1/4-20 X 1/2 Hex Capscrew
17	BH-7535-18	FJ7594-3	2	Cable Adjuster

**TERMS AND CONDITIONS OF THE
SALES ORDER
FOR SVI INTERNATIONAL, INC.**

1. **GENERAL.** The terms and conditions of sales order outlined herein shall apply to the sale by SVI INTERNATIONAL, INC. (hereinafter referred to as "Company") of the items described on the facing page (hereinafter referred to as "Merchandise") to Purchaser.
2. **DELIVERY.** Delivery shall be deemed to be complete when the Merchandise has been shipped F.O.B. Company's plants in DeKalb, Illinois, Duarte, California; and Baltimore, Maryland ("Company's plants"). Shipments are subject to delays from causes or contingencies beyond the reasonable control of the Company. When otherwise not specified, shipments will be made in standard containers via carrier which, in the judgment of the Company, will result in the most practical method. Title and right of possession will pass to the Purchaser upon receipt by the carrier at the shipping point. If a customer of the Company should specify a specific carrier's method of shipment (i.e. UPS Next Day Air) and that carrier does not perform to the customer's expectations, freight credit to a customer's account will not be issued unless the Company can first obtain a credit.
3. **RISK OF LOSS.** Identification of the Merchandise under Uniform Commercial Code (hereinafter referred to as "UCC") Section 2-501 shall take place at the moment of shipment F.O.B. Company's plants. Risk of loss shall pass to the Purchaser when the Merchandise is shipped from the Company's plants.
4. **TITLE.** Title to the merchandise shall transfer to the Purchaser when the Merchandise is shipped from the Company's plants.
5. **WARRANTIES.** The Company guarantees its products to be free from defects in workmanship and raw materials for a period of one year from date of purchase. THIS WARRANTY IS EXPRESSLY IN LIEU OF ANY AND ALL WARRANTIES EXPRESS OR IMPLIED. COMPANY DOES NOT WARRANT THE MERCHANDISE IS MERCHANTABLE OR FIT FOR ANY PARTICULAR PURPOSE. Company's liability for breach of the terms of this Agreement, including any warranty, is limited to either refund of the invoice price of the Merchandise or at Company's option, replacement of the Merchandise free of charge, including transportation charges but not including the cost of labor. Purchaser has not relied on any statement or upon the conduct of Company with respect to the prospective use of the merchandise. Company shall not be liable for and Purchaser waives any and all claims for any loss or damage, directly or indirectly, arising from the use of the Merchandise and for punitive, incidental or consequential damages, including, but not limited to, damages to property, for loss of use, loss of time, loss of profit or loss of income. The Company does not authorize the sale of our products under any other warranty, expressed or implied.
6. **SETOFF.** All claims for money due or to become due from the Company shall be subject to deduction by the Company for any setoff or counterclaim arising out of this or any other claims of the Company or its affiliated companies, whether such setoff or counterclaim arose before or after any assignment by Purchaser.
7. **INDEMNIFICATION.** Purchaser agrees to indemnify the Company and hold it harmless from and against all claims, liability, loss, damage or expense, including reasonable counsel fees, arising from or by reason of any modifications or alterations made by Purchaser. If a customer of the Company modifies or alters any part, in any manner whatsoever, or uses any part in departure from recommended performance specifications, said customer agrees to indemnify and hold the Company harmless from and against all liability and expenses based on damage to property or injury to or death of any person arising out of or attributable to such modified or altered part. Further, the Company will not accept any such modified or altered part for credit to a customer's account.
8. **FREIGHT POLICY.** Freight charges on individual orders less than \$3,000 in net value are prepaid and added to invoice or collect F.O.B. shipping point. Freight charges (standard ground service and continental US only) on individual orders more than \$3,000 net value are paid by the Company F.O.B. shipping point. Note: customers with C.O.D. terms are responsible for all carrier C.O.D. fees regardless of order net value.
9. **RETURN POLICY.** To return parts for credit or inspection Purchaser must first contact the Company to obtain a Return Goods Authorization number (RGA#). Once Purchaser has obtained an RGA# the parts can be returned freight prepaid only. The RGA# must be on the outside of the container in a highly visible location. All parts must be returned freight prepaid and the shipment must include a letter of explanation giving the specific reason for return including details as to the conditions under which the part or parts operated. Note: parts returned without an RGA#, freight collect or without written explanation may be refused. Parts which have been used in any way or manner, including any installation or incorporation into a lift or hoist, shall NOT be eligible for return whether or not an RGA has been assigned.
10. **RESTOCK CHARGE.** Returns are subject to up to twenty-five (25%) restocking charge. Refusals are subject to the same restocking charge plus the cost of outbound and return freight charges and/or fees incurred by the Company due to shipment refusal.
11. **PRICES AND PAYMENTS.** All prices are subject to change without notice. All prices are F.O.B. shipping point. The Company standard terms are net 30 days, C.O.D. company check, C.O.D. cash, VISA, MasterCard, Discover or American Express. However, if in the judgment of the Company, the financial condition of the Purchaser at any time does not justify shipment according to standard terms of payment, the Company may require full or partial payment in advance.
12. **INTERPRETATION.** This sales order is intended by the parties as a complete and exclusive statement of the terms of their agreement. It supersedes all prior agreements, written or oral. No course of prior dealings between the parties and no usage of the trade shall be relevant to supplement or explain any terms used in this sales order. Acceptance or acquiescence in a course of performance rendered under this purchase order shall not be relevant to determine the meaning of this sales order even though the accepting or acquiescing party has knowledge of the nature of the performance and opportunity for objection. Whenever a term defined by the UCC is used in this sales order the definition contained in the UCC shall control.
13. **MODIFICATION.** This sales order can be modified or rescinded only by a writing signed by both parties.
14. **WAIVER.** No claim or right arising out of a breach of this sales order can be discharged in whole or in part by a waiver or renunciation of the claim or right unless such waiver or renunciation is supported by consideration and is in writing signed by the aggrieved party.
15. **ASSIGNMENT.** No right or interest in this sales order shall be assigned by either party without the written consent of the other and no delegation of any obligation owed, or of the performance of any obligation by either the Company or Purchaser shall be made without the written consent of the other party. Any attempted assignment or delegation not made in conformity with this paragraph shall be wholly void and totally ineffective for all purposes.
16. **TIME TO PERFORM AND BRING ACTION.** Time is of the essence of this sales order. Any action for breach of this sales order shall be commenced within two (2) years after the cause of action has accrued. Any party who loses any litigation shall reimburse the other party for costs including reasonable attorneys fees. The exclusive jurisdiction for any legal action shall be the Circuit Court of DeKalb County, Illinois.
17. **APPLICABLE LAW.** This sales order shall be governed by the UCC of Illinois as effective and in force on the date of this sales order.

Offering the Best in Automotive Lift Repair Parts and More!

Auto Lift Cables • Auto Lift Parts • Brake Lathe Repair Parts

Compressed Air Repair Parts • Exhaust System Products • Fluid Delivery Repair Parts

Lubrication Equipment Repair Parts • Repair Parts for Gasboy Consumer Series

Service Station Pump and Tank Products • SVI Misc Auto Lift Products and Catalogs

Tire Changer Repair Parts • Vehicle Lifting Systems • Wheel Balancer Accessories

Serving the Industry Since 1977 • Same-Day Shipping



SVI International, Inc.

(800) 321-8173 • fax: (800) 899-1784

155 Harvestore Drive • DeKalb, IL 60115

www.sviinternational.com

BALTIMORE • CHICAGO • LOS ANGELES

While the utmost care has been used in compiling this reference material, we assume no responsibility for errors. Specifications are subject to change without notice. This edition supersedes all previous editions or issues. SVI reference material is subject to change without notice. All rights reserved.