

Automotive Lift

R E P A I R P A R T S



SVI International, Inc.
(800) 321-8173 • fax: (800) 899-1784
155 Harvestore Drive • DeKalb, IL 60115
www.sviinternational.com

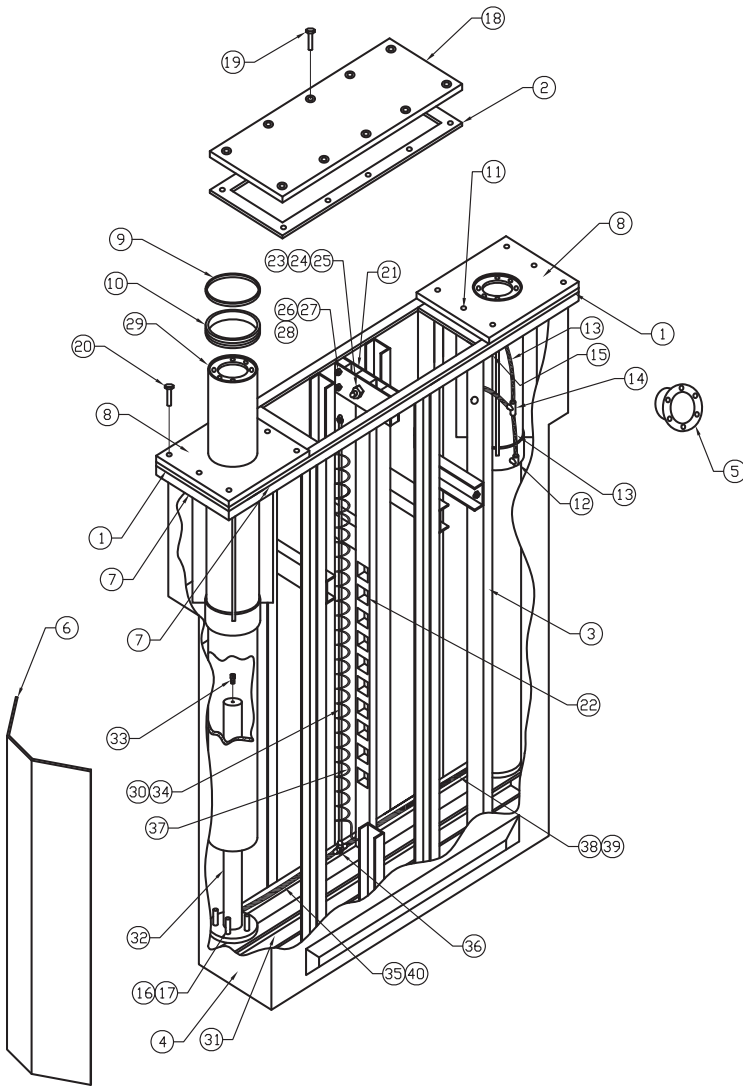
BALTIMORE • CHICAGO • LOS ANGELES

Repair Parts for: **Rotary**

Repair Parts for:
Rotary
LRC7500I



for lift models SL9 / SL9-RA / SL9-SPA / SL9-BU 100 and 200 Series, SL90204, SL90104



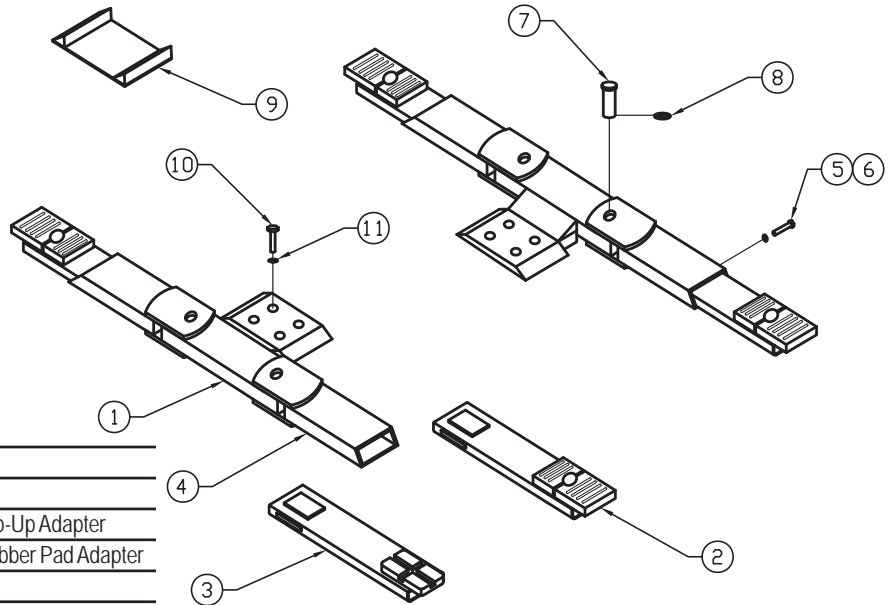
Item	SVI part#	OEM#	Req	Description
1		T140020		Gasket End
2		T140019		Gasket Center
3		T120036		Flame
4		T130016		Tube
5		T140023		2" Uniseal
6		T130087		Side Sheet
7		T120008		Concrete Anchor Frame (100 Series)
		T120038		Concrete Anchor Fr. (end section-200 Series)
		T120070		Concrete Anchor Fr. (side section-200 Series)
8		T120051		Bearing Assembly
9		T140018		Wiper (100 series)
		T140076		Wiper (200 series)
10		T140016		Bearing (100 series)
		T140054		Bearing (200 series)
11		T140007		Grease/Zerk Fitting
12		15105		Male Elbow Connector (100 series)
		FA3134-6		Male Elbow Connector (200 series)
13		T110007PC9		1/4" Nylon Tube (100 series)
		T130191		1/4" Nylon Tube 11-1/8" Lg. (200 series)
		T130189		1/4" Nylon Tube 9-1/2" Lg. (200 series)
14		15107		Swivel Male Tee (100 Series)
		FC5225-46		Union Tee (200 Series)
15		FC5225-47		Male Connector (200 series)
16		40317		1/2"-13NC x 2" Lg. Soc. Hd. Capscrew
17		40880		1/2" Ext. Lock Washer
18		T120055		Cover Plate
19		40315		1/2"-13NC x 2" Lg. HHCS (100 series)
		40268		1/2"-13NC X 2"Lg. Self Tap FHCS (200 series)
20		40305		1/2"-13NC x 1-1/2" 12pt. Capscrew (100 ser.)
21		T130003		Latch Bar Plate
22		T130001		Latch Bar (100 series)
		T120094		Latch Bar (200 series)
23		40497		7/8"-9NC x 3" Lg. HHCS
24		40765		7/8"-9NC Hex Nut
25		41070		7/8" Ext. Lock Washer
26		40330		1/2"-13NC x 2-1/2" Lg. HHCS
27		40680		1/2"-143NC Hex Nut
28		40880		1/2" Ext. Lock Washer
29		T120054		Plunger (100 series)
		T120079		Plunger (200 series)
30		T140026		Hose
31		T120050		Equalizer
32		FJ7664		Hydraulic Cylinder
33			2	Bleeder Screw (specify manufacturer)
34		T140028		PVC Pipe
35		T140025		25" Hose
36		T140029		Tee Adapter
37		T140030		Air Hose
38		T140027		34" Hose
39		T130192		Long Hose Cover (200 Series)
40		T130193		Short Hose Cover (200 Series)



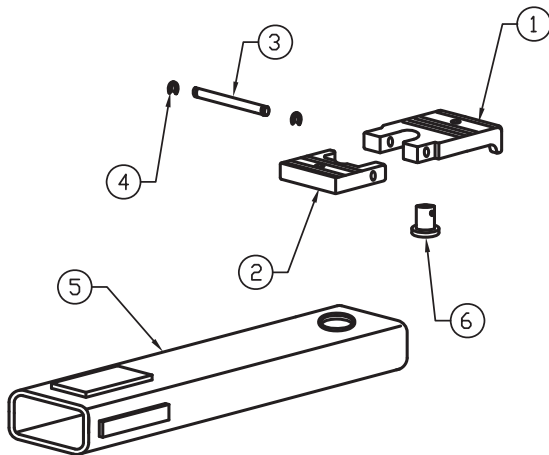
Insist on only SVI "Direct Fit" brand Lift Repair Parts.

entire contents copyright © 2010 SVI International, Inc.

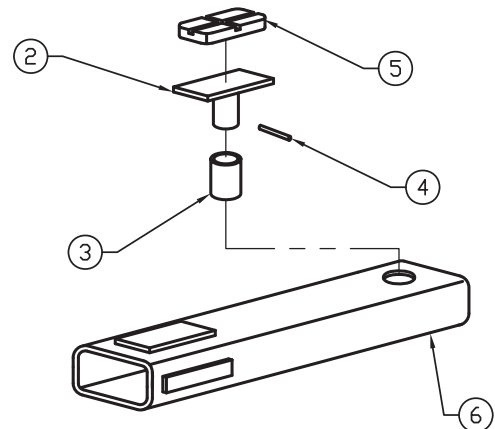
for lift models SL9 / SL9-RA / SL9-SPA / SL9-BU 100 and 200 Series, SL90204, SL90104



Item	SVI part#	OEM#	Req	Description
1	T120067		•	Yoke (100 Series)
	T120098			Yoke (200 Series)
2	FJ7150-2			Inner Tube with Flip-Up Adapter
3	FJ866-1			Inner Tube with Rubber Pad Adapter
4	T120068			Outer Tube
5	40155		4	3/8"-16 x 5/8" HHCS
6	40843		4	3/8" Internal Tooth Lock Washer
7	T130066			Arm Pin
8	41404			Truarc #5100-187
9	FF729			Wheel Spotting Dish
10	40474		4	7/8-9NC x 2-1/2" Soc. FL C'Sunk Hd. CS (100 Series)
	40470		8	3/4"-10 HCx 3"HHCS (200 Series)
11	40995		8	3/4" Ext. Tooth Lock Washer (200 Series)



Item	SVI part#	OEM#	Req	Description
1	FJ671-1			Adapter High Step
2	FJ671-2			Adapter Low Step
3	FJ671-3			Adapter Pin
4	FJ671-6			Hog Ring Clips
5	T120025			Inner Arm Tube
6	FJ79-6			Adapter Swivel Pin

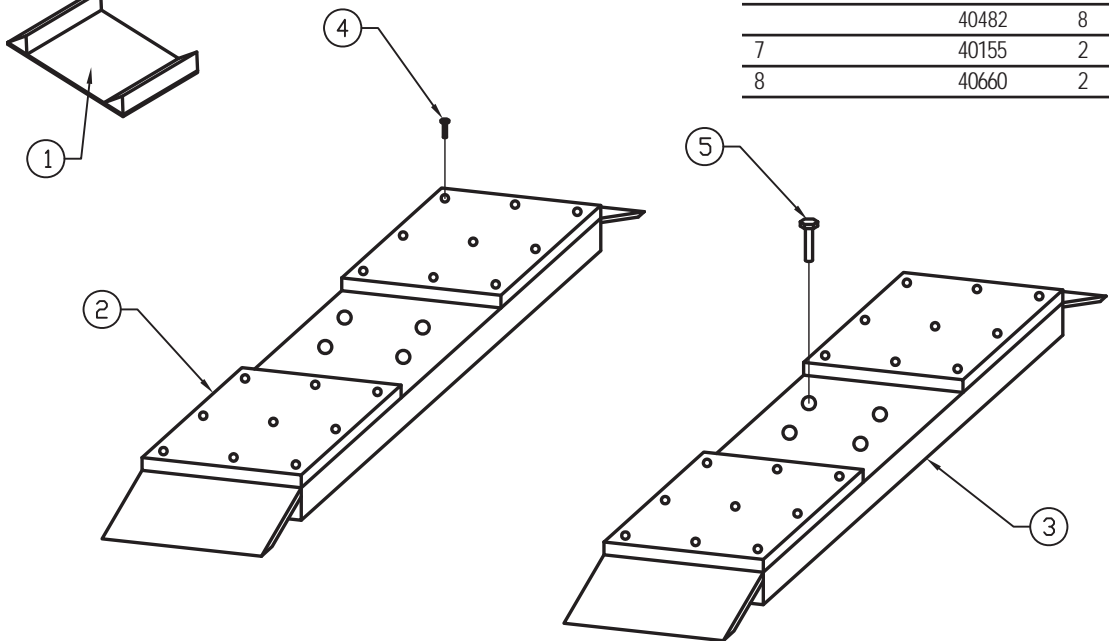
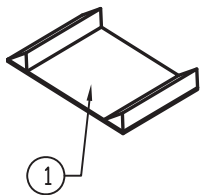
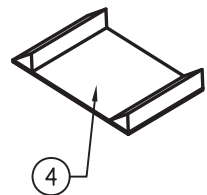
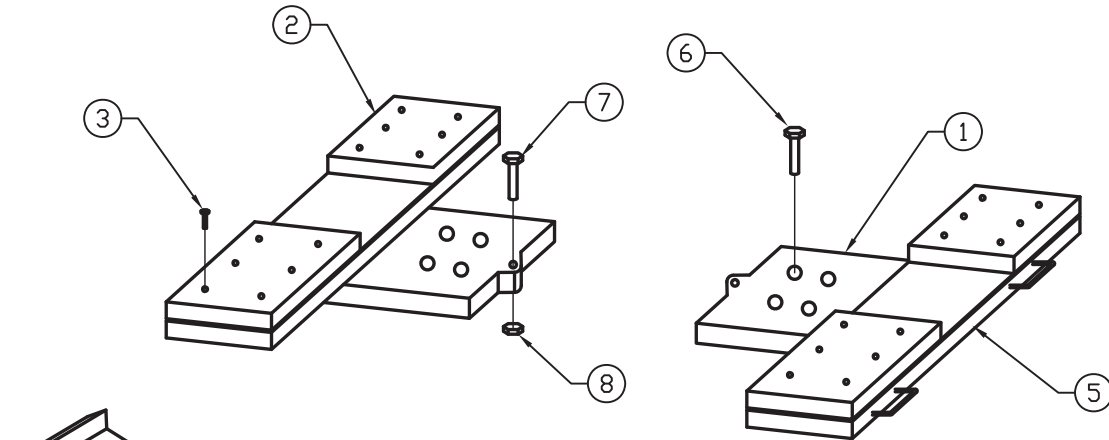


Item	SVI part#	OEM#	Req	Description
1	FJ6125			Adapter Assembly (consists of PCs 2, 3, 4 & 5)
2	FJ7859			Rectangular Adapter Weldment
3	FJ7864-3			Insert
4	14451		4	1/8"x1-1/2" Roll Pin
5	FJ7735-2			Adapter Pad
6	FJ7866-1			Inner Tube with Rubber Pad Adapter*

* Includes Items 2, 3, 4 & 5



for lift models SL9 / SL9-RA / SL9-SPA / SL9-BU 100 and 200 Series, SL90204, SL90104



Item	SVI part#	OEM#	Req	Description
1	T120026			Yoke (100 Series)
	T120082			Yoke (200 Series)
2	FJ2177-2			Rubber Pad
3	41351			1/2" x 1" SD812BS Blind Pop Rivets (6 req. for each pad)
4	FF729			Wheel Spotting Dish
5	FJ2193			Pad and Support Assembly
6	40474	8		7/8-9NC x 2-1/2 Soc. FL C'sunk Hd. CS
	40482	8		3/4"-10 x 3" Soc. FL C'sunk Hd. CS
7	40155	2		3/8"-16NC x 5/8 HHCS
8	40660	2		3/8"-16NC Hex Nut

Item	SVI part#	OEM#	Req	Description
1	FF729			Wheel Spotting Dish
2	FJ2252-5			Rubber Pad
3	T110015			Pad Assembly (100 Series)
	T110040			Pad Assembly (200 Series)
4	41351			1/2x14 SD812BS Blind Pop Rivets (6 req. for each pad)
5	40474	8		7/8-9NC x 2-1/2 Soc. FL C'Sunk Hd CS (100 Series)
	40470	8		3/4"-10NCx3" Hex Hd. CS (200 Series)

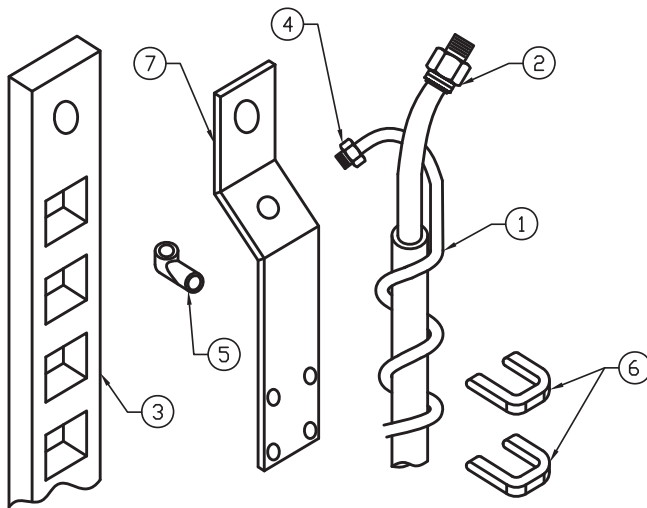
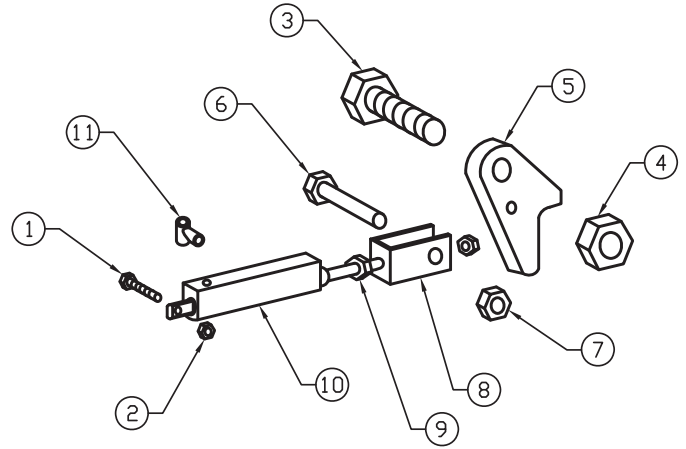


Insist on only SVI "Direct Fit" brand Lift Repair Parts.

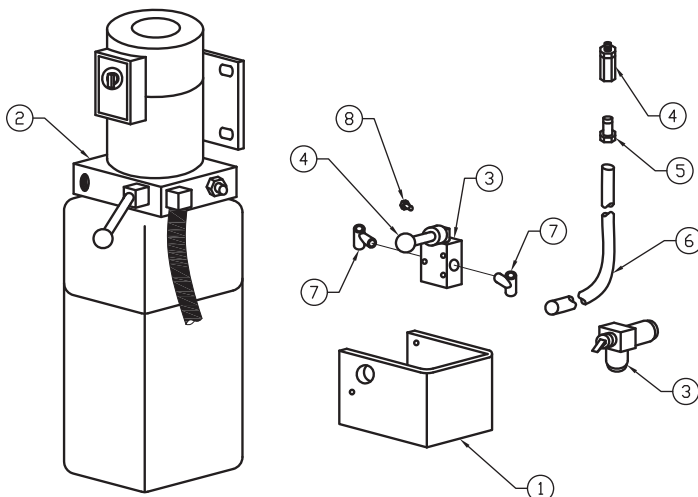
entire contents copyright © 2010 SVI International, Inc.

for lift models SL9 / SL9-RA / SL9-SPA / SL9-BU 100 and 200 Series, SL90204, SL90104

Item	SVI part#	OEM#	Req	Description
1	40115			1/4-20NC x 1-1/4" Lg. HHCS
2	40642			1/4-20NC Hex Nylon Insert Lock Nut
3	40457			3/4-10NC x 4-1/2 Lg. HHCS
4	40790			3/4-10NC Nylon Ins. Hex Lock Nut (200 Ser.)
5	T130015			Locking Latch
6	40110			1/4-20NC x 1-1/2 Lg HHCS
7	41423			1/4-20NC Hex Lock Nut
8	T130014			Clevis
9	40648			1/4"-28NF Hex Nut
10	FC5309-3			Air Cylinder (100 Series)
	T140062			Air Cylinder (200 Series)
11	FA299-12			Street Elbow



Item	SVI part#	OEM#	Req	Description
1	T140030			Air Coil Hose
2	T140013			Hydraulic Hose (100 Series)
	T140026			Hydraulic Hose (200 Series)
3	T130001			Locking Latch Bar
4	FC147-1			Connector (100 Series)
5	AQ69PS			90° Elbow (100 Series)
6	T140031			U-Bolt w/ 1/4-20 Hex Nuts (100 Series)
7	T130093			Hose Rod Support (100 Series)



Item	SVI part#	OEM#	Req	Description
1	T130099			Control Assembly Bracket (100 Series)
	T130187			Control Assembly Bracket (200 Series)
2	P702			Power Unit (100 Series)
	P752			Power Unit (200 Series-Single Phase)
	P753			Power Unit (200 Series-Three Phase)
3	FA2273-3			Air Valve (100 Series)
	T140073			Air Valve (200 Series)
4	FA3134-12			Filter
5				1/4" Push-In 1/4" NPT Fitting
6	FA2273-4			1/4" Tubing
7	T140074			90° Swivel Elbow (200 Series)
8	T140075			Brass Filter (200 Series)

All names, numbers, symbols and descriptions are used for reference purposes only. It is not implied that any part listed is the product of these manufacturers; however, some parts may be the actual product of these manufacturers.

**TERMS AND CONDITIONS OF THE
SALES ORDER
FOR SVI INTERNATIONAL, INC.**

1. **GENERAL.** The terms and conditions of sales order outlined herein shall apply to the sale by SVI INTERNATIONAL, INC. (hereinafter referred to as "Company") of the items described on the facing page (hereinafter referred to as "Merchandise") to Purchaser.
2. **DELIVERY.** Delivery shall be deemed to be complete when the Merchandise has been shipped F.O.B. Company's plants in DeKalb, Illinois, Duarte, California; and Baltimore, Maryland ("Company's plants"). Shipments are subject to delays from causes or contingencies beyond the reasonable control of the Company. When otherwise not specified, shipments will be made in standard containers via carrier which, in the judgment of the Company, will result in the most practical method. Title and right of possession will pass to the Purchaser upon receipt by the carrier at the shipping point. If a customer of the Company should specify a specific carrier's method of shipment (i.e. UPS Next Day Air) and that carrier does not perform to the customer's expectations, freight credit to a customer's account will not be issued unless the Company can first obtain a credit.
3. **RISK OF LOSS.** Identification of the Merchandise under Uniform Commercial Code (hereinafter referred to as "UCC") Section 2-501 shall take place at the moment of shipment F.O.B. Company's plants. Risk of loss shall pass to the Purchaser when the Merchandise is shipped from the Company's plants.
4. **TITLE.** Title to the merchandise shall transfer to the Purchaser when the Merchandise is shipped from the Company's plants.
5. **WARRANTIES.** The Company guarantees its products to be free from defects in workmanship and raw materials for a period of one year from date of purchase. THIS WARRANTY IS EXPRESSLY IN LIEU OF ANY AND ALL WARRANTIES EXPRESS OR IMPLIED. COMPANY DOES NOT WARRANT THE MERCHANDISE IS MERCHANTABLE OR FIT FOR ANY PARTICULAR PURPOSE. Company's liability for breach of the terms of this Agreement, including any warranty, is limited to either refund of the invoice price of the Merchandise or at Company's option, replacement of the Merchandise free of charge, including transportation charges but not including the cost of labor. Purchaser has not relied on any statement or upon the conduct of Company with respect to the prospective use of the merchandise. Company shall not be liable for and Purchaser waives any and all claims for any loss or damage, directly or indirectly, arising from the use of the Merchandise and for punitive, incidental or consequential damages, including, but not limited to, damages to property, for loss of use, loss of time, loss of profit or loss of income. The Company does not authorize the sale of our products under any other warranty, expressed or implied.
6. **SETOFF.** All claims for money due or to become due from the Company shall be subject to deduction by the Company for any setoff or counterclaim arising out of this or any other claims of the Company or its affiliated companies, whether such setoff or counterclaim arose before or after any assignment by Purchaser.
7. **INDEMNIFICATION.** Purchaser agrees to indemnify the Company and hold it harmless from and against all claims, liability, loss, damage or expense, including reasonable counsel fees, arising from or by reason of any modifications or alterations made by Purchaser. If a customer of the Company modifies or alters any part, in any manner whatsoever, or uses any part in departure from recommended performance specifications, said customer agrees to indemnify and hold the Company harmless from and against all liability and expenses based on damage to property or injury to or death of any person arising out of or attributable to such modified or altered part. Further, the Company will not accept any such modified or altered part for credit to a customer's account.
8. **FREIGHT POLICY.** Freight charges on individual orders less than \$3,000 in net value are prepaid and added to invoice or collect F.O.B. shipping point. Freight charges (standard ground service and continental US only) on individual orders more than \$3,000 net value are paid by the Company F.O.B. shipping point. Note: customers with C.O.D. terms are responsible for all carrier C.O.D. fees regardless of order net value.
9. **RETURN POLICY.** To return parts for credit or inspection Purchaser must first contact the Company to obtain a Return Goods Authorization number (RGA#). Once Purchaser has obtained an RGA# the parts can be returned freight prepaid only. The RGA# must be on the outside of the container in a highly visible location. All parts must be returned freight prepaid and the shipment must include a letter of explanation giving the specific reason for return including details as to the conditions under which the part or parts operated. Note: parts returned without an RGA#, freight collect or without written explanation may be refused. Parts which have been used in any way or manner, including any installation or incorporation into a lift or hoist, shall NOT be eligible for return whether or not an RGA has been assigned.
10. **RESTOCK CHARGE.** Returns are subject to up to twenty-five (25%) restocking charge. Refusals are subject to the same restocking charge plus the cost of outbound and return freight charges and/or fees incurred by the Company due to shipment refusal.
11. **PRICES AND PAYMENTS.** All prices are subject to change without notice. All prices are F.O.B. shipping point. The Company standard terms are net 30 days, C.O.D. company check, C.O.D. cash, VISA, MasterCard, Discover or American Express. However, if in the judgment of the Company, the financial condition of the Purchaser at any time does not justify shipment according to standard terms of payment, the Company may require full or partial payment in advance.
12. **INTERPRETATION.** This sales order is intended by the parties as a complete and exclusive statement of the terms of their agreement. It supersedes all prior agreements, written or oral. No course of prior dealings between the parties and no usage of the trade shall be relevant to supplement or explain any terms used in this sales order. Acceptance or acquiescence in a course of performance rendered under this purchase order shall not be relevant to determine the meaning of this sales order even though the accepting or acquiescing party has knowledge of the nature of the performance and opportunity for objection. Whenever a term defined by the UCC is used in this sales order the definition contained in the UCC shall control.
13. **MODIFICATION.** This sales order can be modified or rescinded only by a writing signed by both parties.
14. **WAIVER.** No claim or right arising out of a breach of this sales order can be discharged in whole or in part by a waiver or renunciation of the claim or right unless such waiver or renunciation is supported by consideration and is in writing signed by the aggrieved party.
15. **ASSIGNMENT.** No right or interest in this sales order shall be assigned by either party without the written consent of the other and no delegation of any obligation owed, or of the performance of any obligation by either the Company or Purchaser shall be made without the written consent of the other party. Any attempted assignment or delegation not made in conformity with this paragraph shall be wholly void and totally ineffective for all purposes.
16. **TIME TO PERFORM AND BRING ACTION.** Time is of the essence of this sales order. Any action for breach of this sales order shall be commenced within two (2) years after the cause of action has accrued. Any party who loses any litigation shall reimburse the other party for costs including reasonable attorneys fees. The exclusive jurisdiction for any legal action shall be the Circuit Court of DeKalb County, Illinois.
17. **APPLICABLE LAW.** This sales order shall be governed by the UCC of Illinois as effective and in force on the date of this sales order.

Offering the Best in Automotive Lift Repair Parts and More!

Auto Lift Cables • Auto Lift Parts • Brake Lathe Repair Parts

Compressed Air Repair Parts • Exhaust System Products • Fluid Delivery Repair Parts

Lubrication Equipment Repair Parts • Repair Parts for Gasboy Consumer Series

Service Station Pump and Tank Products • SVI Misc Auto Lift Products and Catalogs

Tire Changer Repair Parts • Vehicle Lifting Systems • Wheel Balancer Accessories

Serving the Industry Since 1977 • Same-Day Shipping



SVI International, Inc.

(800) 321-8173 • fax: (800) 899-1784

155 Harvestore Drive • DeKalb, IL 60115

www.sviinternational.com

BALTIMORE • CHICAGO • LOS ANGELES

While the utmost care has been used in compiling this reference material, we assume no responsibility for errors. Specifications are subject to change without notice. This edition supersedes all previous editions or issues. SVI reference material is subject to change without notice. All rights reserved.