

Automotive Lift

R E P A I R P A R T S



SVI International, Inc.
(800) 321-8173 • fax: (800) 899-1784
155 Harvestore Drive • DeKalb, IL 60115
www.sviinternational.com

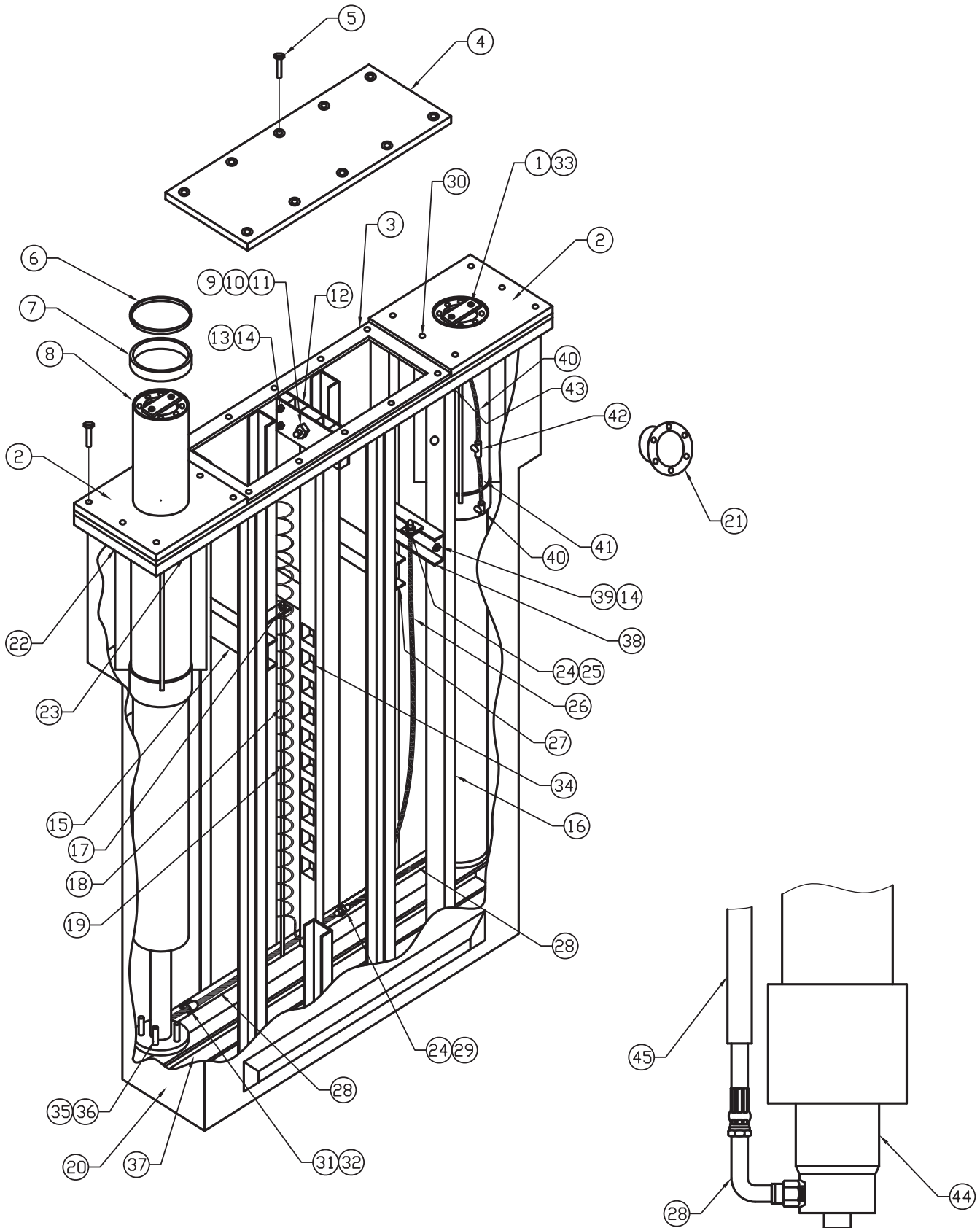
BALTIMORE • CHICAGO • LOS ANGELES

Repair Parts for: **Rotary**

Repair Parts for:
Rotary
LRC7500I



for lift models SL210/SL212





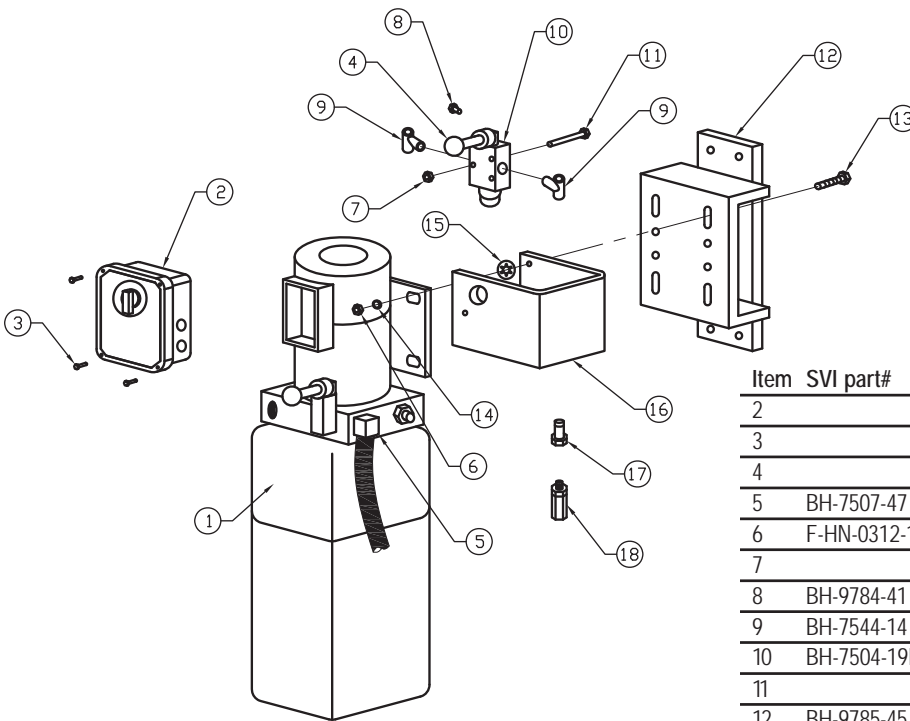
Insist on only SVI "Direct Fit" brand Lift Repair Parts.

entire contents copyright © 2010 SVI International, Inc.

for lift models SL210/SL212

Item	SVI part#	OEM#	Req	Description
1	BH-7521-08	T120166	2	Lift Bar Weldment
2		T110149	2	Guide Barrel Assy. (w/Nylon Tubes & Fittings)
3		T140163	1	One Piece Gasket
4		T120190	1	Cover Plate
5		40268	20	1/2-13NC x 2" Self Tap, Grade 5, Plated Full Thread
6		T140118	2	Wiper Seal
7		T140148	2	Bearing
8		T120161	2	Plunger
9		40606	1	1-1/8-7NC x 3" Gr. 5, Plated
10		40608	1	1-1/8" Int. Tooth Lock Washer, Plated
11	F-HN-1125-07	40607	1	1-1/8-7NC Hex Nut, Plated
12		T130342	2	Latch Bar Plate
13	F-HC-0500-13-2500	40338	4	1/2-13NC x 2-1/2" HHCS
14		40704	8	1/2-13NC Hex Flanged Whizlock Nut, Plated
15		T120157	1	Conduit Bracket Assembly
16		T120164	1	Frame Weldment
17	F-JN-0250-20	40640	2	1/4-20NC Hex Jam Nut
18		T130338	1	Air Coil Hose Rod
19	BH-7544-12	T140096	1	Air Coil Hose
20		T140124	1	Containment (w/Uniseal Hole Drilled)
21	BH-9785-95	T140023	1	2" Uniseal
22		T120197	2	Anchor Frame End
23		T120198	2	Anchor Frame Side

Item	SVI part#	OEM#	Req	Description
24		40998	2	9/16" Int. Tooth Lockwasher, Plated
25		T140132	1	Bulkhead Adapter
26		T140170	1	Vertical Hose
27		T130345	2	Short Tie Channel
28	BH-7521-07	T140169	2	Plunger Hose
29		T140134	1	SS Bulkhead Union Tee
30	BH-9785-86	T140007	2	Zerk Fitting L#5000 1/8" Pipe
31		40227	3	5/16-18NC x 3/8" Phillips Pan Head Machine Screw, Plated
32	BH-7534-77	FJ7499	3	Hose Clip
33	BH-7521-09	40337	4	1/2-13NC x 1-1/4" Countersunk Socket Head Cap Screw
34		T130341	1	Latch Bar
35		40343	12	5/8-11NC x 2-1/2" Hex Socket Head Cap Screw
36		40961	12	5/8" Helical Spring Lockwasher, Plated
37		T120226	1	Equalizer
38		T120158	1	Hose Bracket Assembly
39	F-HC-0500-13-1000	40261	8	1/2-13NC x 1" HHCS
40		T100147	2	Guide Barrel Fitting Kit
41	BH-9786-41	T130191	6	1/4" Nylon Tube (11-1/8" long)
42	BH-7526-88	FC5225-46	2	Union Tee
43	BH-7526-89	FC5225-47	2	Male Connector for Nylon Tube
44		N367	2	Hydraulic Cylinder
45		T140166	2	Hose Support Tube



Item	SVI part#	OEM#	Req	Description
1	BH-7520-05	P1350	1	1Ø 60 Hz. Power Unit (SL210)
		P1346	1	3Ø 50/60 Hz. Power Unit (SL210)
	BH-7520-08	P1302	1	1Ø 60 Hz. Power Unit (SL212)
	BH-7520-06	P1347	1	3Ø 50/60 Hz. Power Unit (SL212)

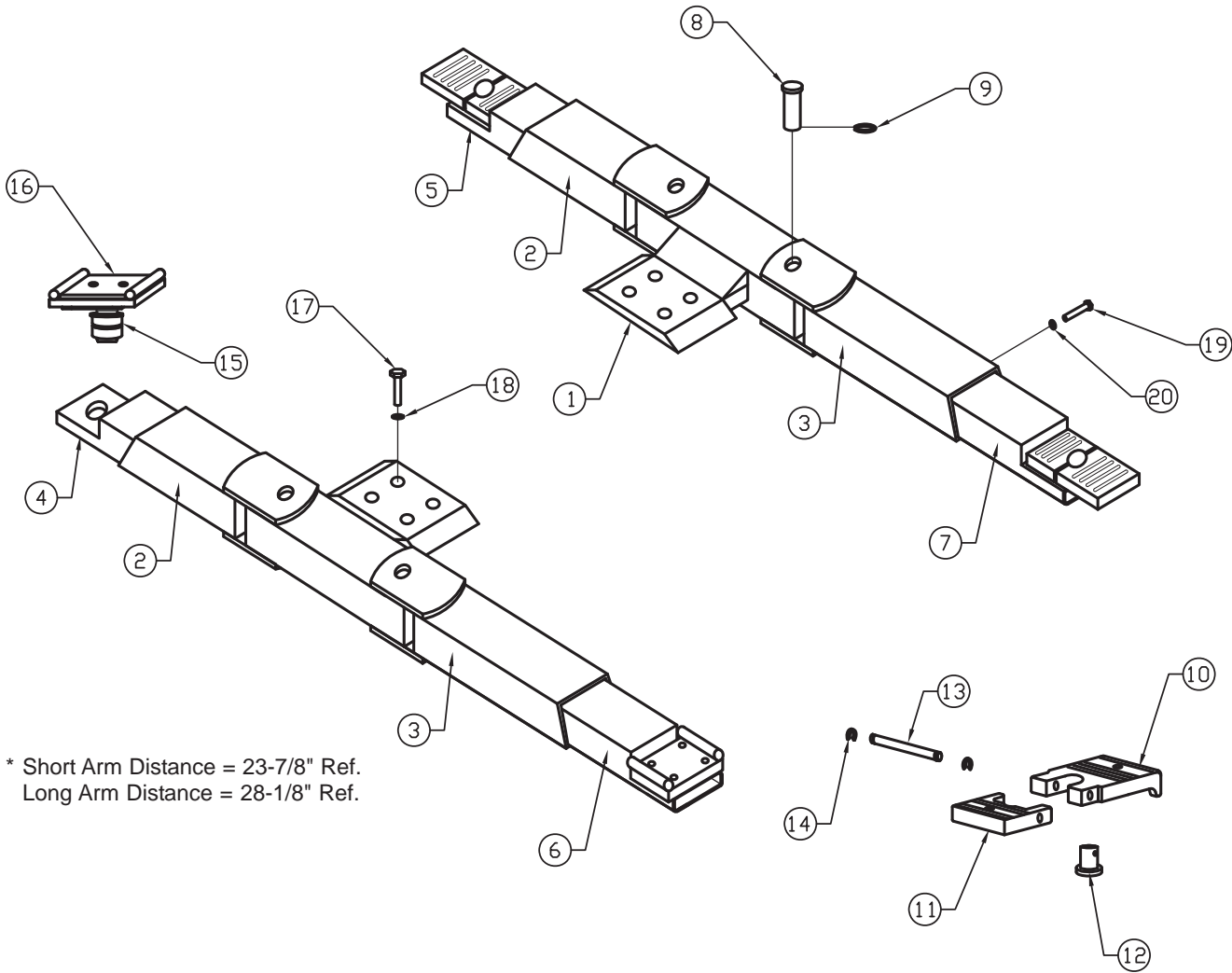
Item	SVI part#	OEM#	Req	Description
2		FA7203	1	Capacitor Box (w/Drum Switch) All Voltages
3		40275	4	M5 x 10 PHMS, Plated
4		T140119	1	Air Lock Valve Handle
5	BH-7507-47	FJ7224	1	Elbow
6	F-HN-0312-18	40670	4	5/16-18NC Hex Nut
7		40649	1	#8-32NC Nylon Insert Lock Nut
8	BH-9784-41	T140075	1	Brass Filter
9	BH-7544-14	T140074	2	Swivel Elbow
10	BH-7504-19K-1	T140073	1	Air Lock Valve
11		40007	1	#8-32NC x 1-1/2 Rnd. Hd. Mach. Screw
12	BH-9785-45	T120020	1	Power Unit Wall Bracket
13		40271	4	5/16-18NC x 1-1/2" HHCS Zinc Plated
14		40854	4	5/16" Ext. Tooth Lock Washer Plated
15	BH-7526-41	FC5209	4	5/16" Push Nut
16		T130187	1	Air Lock Valve Mounting Bracket
17		T140081	1	1/4" Push-In 1/4" NPT Female Fitting
18	BH-7514-09	FA3134-12	1	Filter

All names, numbers, symbols and descriptions are used for reference purposes only. It is not implied that any part listed is the product of these manufacturers; however, some parts may be the actual product of these manufacturers.

LRC7500I - 7.22.10



for lift models SL210/SL212



* Short Arm Distance = 23-7/8" Ref.
 Long Arm Distance = 28-1/8" Ref.

Item	SVI part#	OEM#	Req	Description
1		T120221	2	Yoke
2		T120218	2	*Short Outer Arm
3		T120217	2	*Long Outer Arm
4		T120224	2	*Short Inner Arm (Rubber Pad Adapters)
5		T120220	2	*Short Inner Arm Assy. (Flip-Up Adptrs.)
6		T120223	2	*Long Inner Arm (Rubber Pad Adapters)
7		T120219	2	*Long Inner Arm Assy. (Flip-Up Adptrs.)
8		T130451	4	Arm Pin
9		T140168	4	Arm Pin Retaining Ring
10	BH-7530-02	FJ6177	4	High Step Adapter

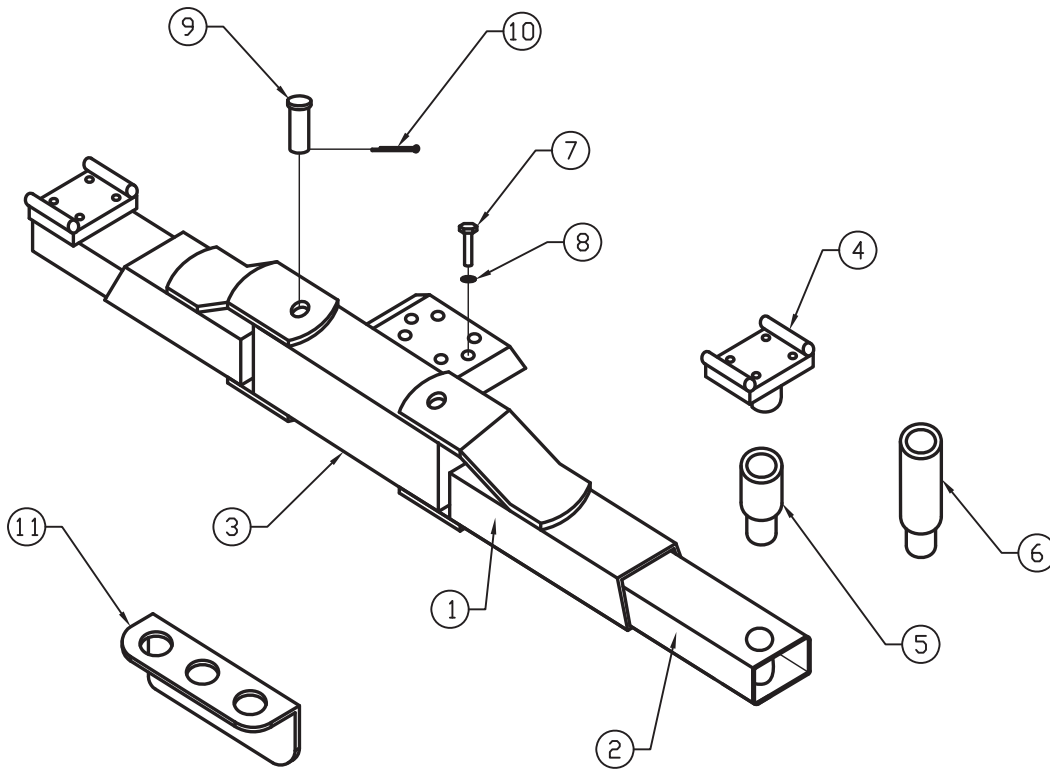
Item	SVI part#	OEM#	Req	Description
11	BH-7530-03	FJ6178	4	Low Step Adapter
12	BH-7502-05	FJ79-6	4	Adapter Swivel Pin
13	BH-7533-60	FJ6179	4	Adapter Pin
14	BH-9755-26	FJ671-6	8	3/32" Hog Ring for 1/2" Shaft
15	BH-7536-96	FJ6182	4	Adapter Assembly
16	BH-7536-92P	FJ6158-4	4	Rubber Pad
17	F-HC-0875-09-3500	40498	8	7/8-9NC x 3-1/2" HHCS
18		41072	8	7/8" Ext. Tooth Lockwasher, Plated
19	F-HC-0375-16-0625	40155	4	3/8-16NC x 5/8" HHCS
20		40843	4	3/8" Internal Tooth Lockwasher



Insist on only SVI "Direct Fit" brand Lift Repair Parts.

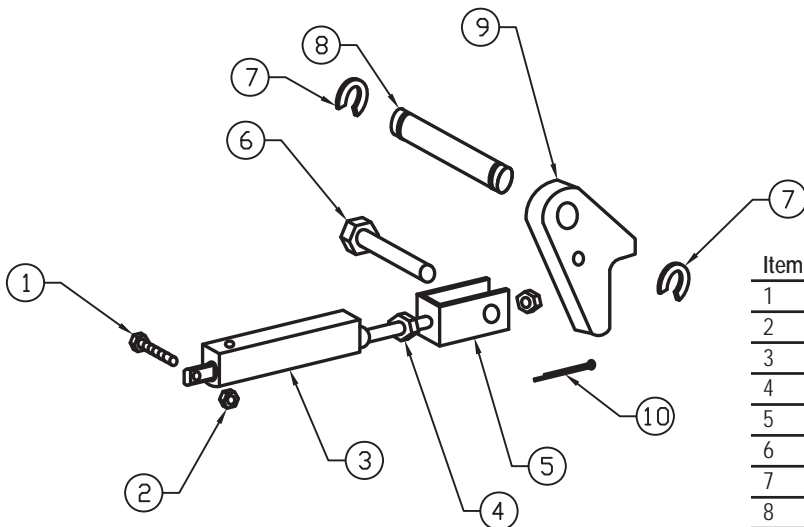
entire contents copyright © 2010 SVI International, Inc.

for lift models SL210/SL212



Item	SVI part#	OEM#	Req	Description
1	T120151		4	Outer Arm
2	T120150		4	Inner Arm
3	T120152		2	Yoke Weldment
4	BH-7536-92	FJ6158	4	Adapter Assembly
5	BH-7533-96	FJ6143	4	4" Extension
6	BH-7533-97	FJ6144	2	8" Extension

Item	SVI part#	OEM#	Req	Description
7	F-HC-0875-09-3500	40498	12	7/8-9NC x 3-1/2" HHCS
8		41072	12	7/8" External Tooth Lockwasher, Plated
9		T120153	4	Arm Pin
10	F-CP-187-3000	41253	4	3/16" x 3" Cotter Pin
11	BH-7500-95	FJ6145	2	Extension Rack



Item	SVI part#	OEM#	Req	Description
1	BH-9786-49	40115	1	1/4-20NC x 1-1/4" HHCS, Gr. 2
2	F-NL-0250-20	40642	1	1/4-20NC Hex Nylon Insert Locknut
3	BH-9786-10	T140062	1	Air Cylinder
4	BH-HN-0250-28	40648	2	1/4-28NF Hex Nut, Plated
5		T130349	1	Clevis
6		T140135	1	Latch Clevis Pin, Plated
7	BH-7537-59A	41417	2	Retaining Ring TRUARC #5304-125
8		T130350	1	Latch Shaft
9		T130348	1	Locking Latch
10		41606	1	1/16" x 3/4" Lg. Cotter Pin

**TERMS AND CONDITIONS OF THE
SALES ORDER
FOR SVI INTERNATIONAL, INC.**

1. **GENERAL.** The terms and conditions of sales order outlined herein shall apply to the sale by SVI INTERNATIONAL, INC. (hereinafter referred to as "Company") of the items described on the facing page (hereinafter referred to as "Merchandise") to Purchaser.
2. **DELIVERY.** Delivery shall be deemed to be complete when the Merchandise has been shipped F.O.B. Company's plants in DeKalb, Illinois, Duarte, California; and Baltimore, Maryland ("Company's plants"). Shipments are subject to delays from causes or contingencies beyond the reasonable control of the Company. When otherwise not specified, shipments will be made in standard containers via carrier which, in the judgment of the Company, will result in the most practical method. Title and right of possession will pass to the Purchaser upon receipt by the carrier at the shipping point. If a customer of the Company should specify a specific carrier's method of shipment (i.e. UPS Next Day Air) and that carrier does not perform to the customer's expectations, freight credit to a customer's account will not be issued unless the Company can first obtain a credit.
3. **RISK OF LOSS.** Identification of the Merchandise under Uniform Commercial Code (hereinafter referred to as "UCC") Section 2-501 shall take place at the moment of shipment F.O.B. Company's plants. Risk of loss shall pass to the Purchaser when the Merchandise is shipped from the Company's plants.
4. **TITLE.** Title to the merchandise shall transfer to the Purchaser when the Merchandise is shipped from the Company's plants.
5. **WARRANTIES.** The Company guarantees its products to be free from defects in workmanship and raw materials for a period of one year from date of purchase. THIS WARRANTY IS EXPRESSLY IN LIEU OF ANY AND ALL WARRANTIES EXPRESS OR IMPLIED. COMPANY DOES NOT WARRANT THE MERCHANDISE IS MERCHANTABLE OR FIT FOR ANY PARTICULAR PURPOSE. Company's liability for breach of the terms of this Agreement, including any warranty, is limited to either refund of the invoice price of the Merchandise or at Company's option, replacement of the Merchandise free of charge, including transportation charges but not including the cost of labor. Purchaser has not relied on any statement or upon the conduct of Company with respect to the prospective use of the merchandise. Company shall not be liable for and Purchaser waives any and all claims for any loss or damage, directly or indirectly, arising from the use of the Merchandise and for punitive, incidental or consequential damages, including, but not limited to, damages to property, for loss of use, loss of time, loss of profit or loss of income. The Company does not authorize the sale of our products under any other warranty, expressed or implied.
6. **SETOFF.** All claims for money due or to become due from the Company shall be subject to deduction by the Company for any setoff or counterclaim arising out of this or any other claims of the Company or its affiliated companies, whether such setoff or counterclaim arose before or after any assignment by Purchaser.
7. **INDEMNIFICATION.** Purchaser agrees to indemnify the Company and hold it harmless from and against all claims, liability, loss, damage or expense, including reasonable counsel fees, arising from or by reason of any modifications or alterations made by Purchaser. If a customer of the Company modifies or alters any part, in any manner whatsoever, or uses any part in departure from recommended performance specifications, said customer agrees to indemnify and hold the Company harmless from and against all liability and expenses based on damage to property or injury to or death of any person arising out of or attributable to such modified or altered part. Further, the Company will not accept any such modified or altered part for credit to a customer's account.
8. **FREIGHT POLICY.** Freight charges on individual orders less than \$3,000 in net value are prepaid and added to invoice or collect F.O.B. shipping point. Freight charges (standard ground service and continental US only) on individual orders more than \$3,000 net value are paid by the Company F.O.B. shipping point. Note: customers with C.O.D. terms are responsible for all carrier C.O.D. fees regardless of order net value.
9. **RETURN POLICY.** To return parts for credit or inspection Purchaser must first contact the Company to obtain a Return Goods Authorization number (RGA#). Once Purchaser has obtained an RGA# the parts can be returned freight prepaid only. The RGA# must be on the outside of the container in a highly visible location. All parts must be returned freight prepaid and the shipment must include a letter of explanation giving the specific reason for return including details as to the conditions under which the part or parts operated. Note: parts returned without an RGA#, freight collect or without written explanation may be refused. Parts which have been used in any way or manner, including any installation or incorporation into a lift or hoist, shall NOT be eligible for return whether or not an RGA has been assigned.
10. **RESTOCK CHARGE.** Returns are subject to up to twenty-five (25%) restocking charge. Refusals are subject to the same restocking charge plus the cost of outbound and return freight charges and/or fees incurred by the Company due to shipment refusal.
11. **PRICES AND PAYMENTS.** All prices are subject to change without notice. All prices are F.O.B. shipping point. The Company standard terms are net 30 days, C.O.D. company check, C.O.D. cash, VISA, MasterCard, Discover or American Express. However, if in the judgment of the Company, the financial condition of the Purchaser at any time does not justify shipment according to standard terms of payment, the Company may require full or partial payment in advance.
12. **INTERPRETATION.** This sales order is intended by the parties as a complete and exclusive statement of the terms of their agreement. It supersedes all prior agreements, written or oral. No course of prior dealings between the parties and no usage of the trade shall be relevant to supplement or explain any terms used in this sales order. Acceptance or acquiescence in a course of performance rendered under this purchase order shall not be relevant to determine the meaning of this sales order even though the accepting or acquiescing party has knowledge of the nature of the performance and opportunity for objection. Whenever a term defined by the UCC is used in this sales order the definition contained in the UCC shall control.
13. **MODIFICATION.** This sales order can be modified or rescinded only by a writing signed by both parties.
14. **WAIVER.** No claim or right arising out of a breach of this sales order can be discharged in whole or in part by a waiver or renunciation of the claim or right unless such waiver or renunciation is supported by consideration and is in writing signed by the aggrieved party.
15. **ASSIGNMENT.** No right or interest in this sales order shall be assigned by either party without the written consent of the other and no delegation of any obligation owed, or of the performance of any obligation by either the Company or Purchaser shall be made without the written consent of the other party. Any attempted assignment or delegation not made in conformity with this paragraph shall be wholly void and totally ineffective for all purposes.
16. **TIME TO PERFORM AND BRING ACTION.** Time is of the essence of this sales order. Any action for breach of this sales order shall be commenced within two (2) years after the cause of action has accrued. Any party who loses any litigation shall reimburse the other party for costs including reasonable attorneys fees. The exclusive jurisdiction for any legal action shall be the Circuit Court of DeKalb County, Illinois.
17. **APPLICABLE LAW.** This sales order shall be governed by the UCC of Illinois as effective and in force on the date of this sales order.

Offering the Best in Automotive Lift Repair Parts and More!

Auto Lift Cables • Auto Lift Parts • Brake Lathe Repair Parts

Compressed Air Repair Parts • Exhaust System Products • Fluid Delivery Repair Parts

Lubrication Equipment Repair Parts • Repair Parts for Gasboy Consumer Series

Service Station Pump and Tank Products • SVI Misc Auto Lift Products and Catalogs

Tire Changer Repair Parts • Vehicle Lifting Systems • Wheel Balancer Accessories

Serving the Industry Since 1977 • Same-Day Shipping



SVI International, Inc.

(800) 321-8173 • fax: (800) 899-1784

155 Harvestore Drive • DeKalb, IL 60115

www.sviinternational.com

BALTIMORE • CHICAGO • LOS ANGELES

While the utmost care has been used in compiling this reference material, we assume no responsibility for errors. Specifications are subject to change without notice. This edition supersedes all previous editions or issues. SVI reference material is subject to change without notice. All rights reserved.