

# Automotive Lift

R E P A I R P A R T S



**SVI International, Inc.**  
**(800) 321-8173 • fax: (800) 899-1784**  
155 Harvestore Drive • DeKalb, IL 60115  
**[www.sviinternational.com](http://www.sviinternational.com)**

**BALTIMORE • CHICAGO • LOS ANGELES**

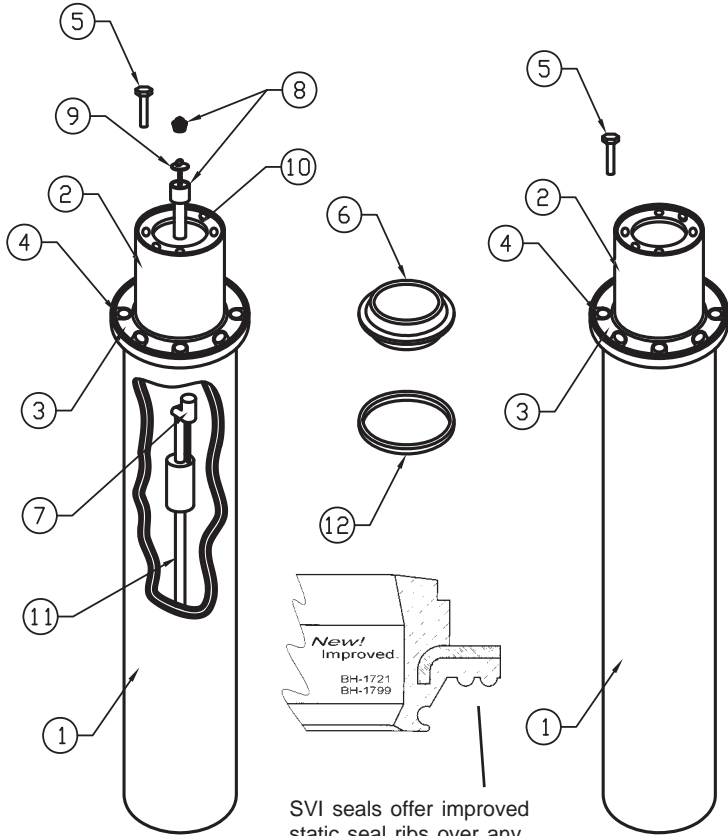
Repair Parts for: **Rotary**

Repair Parts for:  
**Rotary**  
LRC7500I



# for lift model FP46A-44 and above and FP46H-19 and above

SVI provides complete replacement semi or full hydraulic cylinder assemblies. Call for details



SVI seals offer improved static seal ribs over any others on the market.

## cylinder parts

Item	SVI part#	OEM#	Req	Description
1	n/a	JK7100		Casing for Semi-Hydraulic
	n/a	JK7101		Casing for Full Hydraulic
2	BH-9771-81	JK482	1	Plunger for Semi-Hydraulic
	BH-9780-02	JK478	1	Plunger for Full Hydraulic
3	BH-9762-02ATF	SVI Exclusive		10-5/8" Adjust-to-Fit Bearing Kit
	BH-9762-02	JK629	1	10-5/8" Upper Bearing Kit
	BH-1799B	JK622		Aluminum Packing Gland
4	FK-60-125	JX207		Bleeder Plug
5	F-HC-0875-09-4500		4	7/8" -9NC x 4-1/2" Lg. HHCS
6	BH-1799	JK227	1	10-5/8" Seal Kit
	BH-1799/99B	JK227Kit		10-5/8" Seal and Gland Kit
7	BH-9780-73	FA73	1	Low Fluid Control
8	call for price			1" Close Nipple, Coupling & Plug
9	BH-9768-09	JX196		Fluid Gauge
10	BH-9762-96	JK468-2		Flange Bushing
11	BH-9768-04	JX160		Replacement Airline
12	BH-9762-95	JK438-3-1		"O" Ring

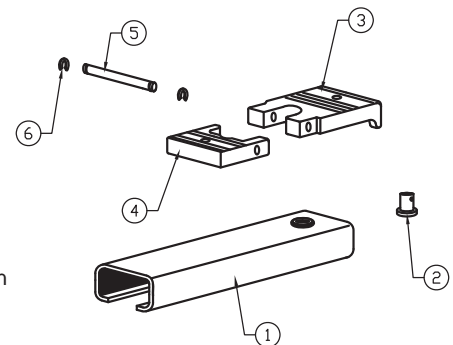
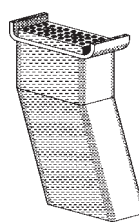
Optional Upper Bearing Kits can help you reduce plunger rock and increase useable lifespan of your lift for many years to



come. Choose the field adjustable "ATF" version for precise control of fit during installation. Order BH-9762-02 or BH-9762-02ATF to reduce plunger rock.

## sleeve and adapters

Item	SVI part#	OEM#	Req	Description
1	BH-9760-26	FJ692-1		Adapter Base (19" Long)
	BH-9760-25	FJ692		Sleeve and Adapter Assembly
2	BH-9755-25	FJ671-5		Swivel Pin
3	BH-9755-20	FJ671-1		Adapter High Step
	BH-9755-36	FJ671-7		Adapter Repair Kit (4 arms)
	BH-9755-36-1	FJ671-8		Adapter Repair Kit (1 arm)
4	BH-9755-21	FJ671-2		Adapter Low Step
5	BH-9755-22	FJ671-3		Adapter Pin
6	BH-9755-26	FJ671-6		3/32" Hog Ring for 1/2" Shaft
	BH-9755-50	Height Extension		9" Slip-On w/o Rubber Pad
	BH-9755-50B	Height Extension		9" Slip-On W/ Rubber Pad
	BH-9755-50A	Height Extension		11" Slip-On w/o Rubber Pad

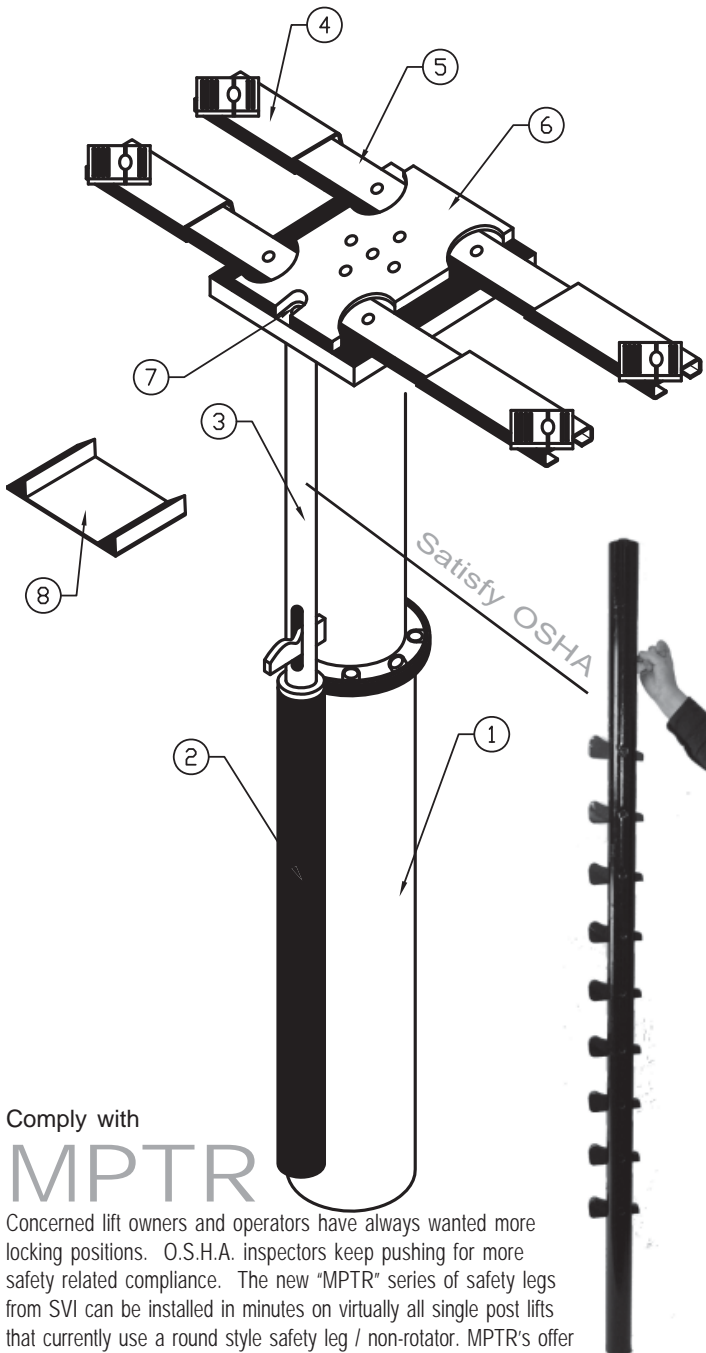


Height Extensions  
SVI has a huge selection - call for more options.

Item	SVI part#	OEM#	Req	Description
	BH-9802-C		1	Tank Kit
	BH-9802-FGC		1	Tank Kit Fiberglass Coated
1	BH-9791-02	FA123-11	1	Vent Screw
2	BH-9791-03	FA123-12	1	Seal
3	BH-9807	FA123-18	1	Fill Plug/Gauge Assembly

## for lift model FP46A-44 and above and FP46H-19 and above

Item	SVI part#	OEM#	Req	Description
1	BH-9771-75	JK1154		Semi-Hydraulic
	BH-9762-10	JK1155		Full Hydraulic
2	BH-9770-58	FA2158	1	Safety Leg Guide Tube
	BH-MPTR-66	SVI Exclusive	1	Multi-Position Safety Leg
	BH-EL-66	FA2107		Manual Release Safety Leg
	BH-TR-66			Top Release Safety Leg
4	BH-9760-25	FJ692	4	Adapter Assembly
	BH-9755-10	FJ2199	4	Swing Arm
6	BH-9780-01	FJ2202	1	Bolster
7	F-HC-0750-10-3500		1	3/4 -10 x 3-1/2 Hex Head Capscrew
8	BH-9701	FF729	1	15" Wide Reach Wheel Spotter
	BH-9702	SVI Exclusive	1	15" Wide Reach Dual Spotter

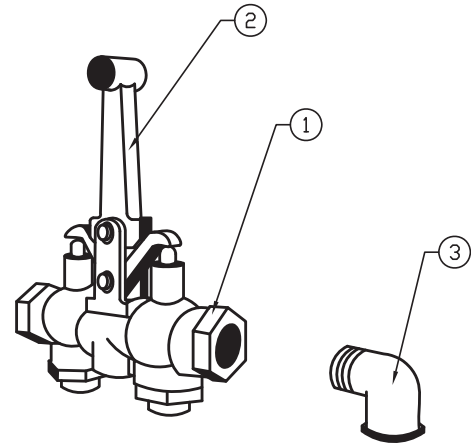


Comply with

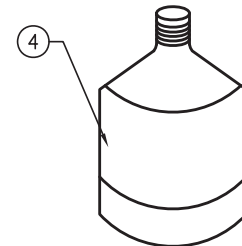
# MPTR

Concerned lift owners and operators have always wanted more locking positions. O.S.H.A. inspectors keep pushing for more safety related compliance. The new "MPTR" series of safety legs from SVI can be installed in minutes on virtually all single post lifts that currently use a round style safety leg / non-rotator. MPTR's offer multiple locking positions in 6" increments throughout the lift's stroke, convenience of single point top release and automatic reset for reuse each time the lift is fully lowered.

All names, numbers, symbols and descriptions are used for reference purposes only. It is not implied that any part listed is the product of these manufacturers; however, some parts may be the actual product of these manufacturers.

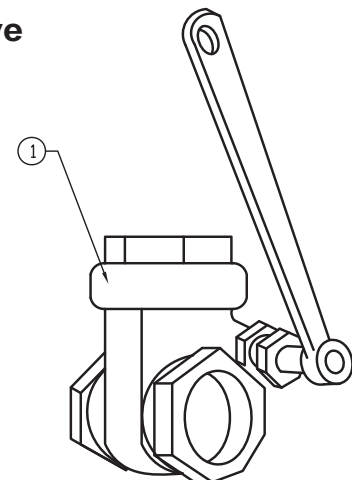


### air control valve



Item	SVI part#	OEM#	Req	Description
1	FK-303-500	FA376		Air Control Valve Non-Locking Semi
	FK-302-500	FA377		Air Control Valve Locking Full Hydraulic
2	FK-302-04	FA377-1		Locking Handle
	FH-303-04	FA376-4		Non-Locking Handle
3	hardware store			Elbow
4	BH-9640	FA515		1/2" NPT Air Muffer

### oil control valve



The choice is yours!

Item	SVI part#	OEM#	Req	Description
1	FK-438	Morrison	1	1-1/4" Internal Spring Oil Valve
	FK-238	Morrison	1	1-1/4" External Spring Oil Valve
	FK-848	AY McDonald	1	1-1/4" External Spring Oil Valve
	FK-902	Milwaukee	1	1-1/4" External Spring Oil Valve

**TERMS AND CONDITIONS OF THE  
SALES ORDER  
FOR SVI INTERNATIONAL, INC.**

1. **GENERAL.** The terms and conditions of sales order outlined herein shall apply to the sale by SVI INTERNATIONAL, INC. (hereinafter referred to as "Company") of the items described on the facing page (hereinafter referred to as "Merchandise") to Purchaser.
2. **DELIVERY.** Delivery shall be deemed to be complete when the Merchandise has been shipped F.O.B. Company's plants in DeKalb, Illinois, Duarte, California; and Baltimore, Maryland ("Company's plants"). Shipments are subject to delays from causes or contingencies beyond the reasonable control of the Company. When otherwise not specified, shipments will be made in standard containers via carrier which, in the judgment of the Company, will result in the most practical method. Title and right of possession will pass to the Purchaser upon receipt by the carrier at the shipping point. If a customer of the Company should specify a specific carrier's method of shipment (i.e. UPS Next Day Air) and that carrier does not perform to the customer's expectations, freight credit to a customer's account will not be issued unless the Company can first obtain a credit.
3. **RISK OF LOSS.** Identification of the Merchandise under Uniform Commercial Code (hereinafter referred to as "UCC") Section 2-501 shall take place at the moment of shipment F.O.B. Company's plants. Risk of loss shall pass to the Purchaser when the Merchandise is shipped from the Company's plants.
4. **TITLE.** Title to the merchandise shall transfer to the Purchaser when the Merchandise is shipped from the Company's plants.
5. **WARRANTIES.** The Company guarantees its products to be free from defects in workmanship and raw materials for a period of one year from date of purchase. THIS WARRANTY IS EXPRESSLY IN LIEU OF ANY AND ALL WARRANTIES EXPRESS OR IMPLIED. COMPANY DOES NOT WARRANT THE MERCHANDISE IS MERCHANTABLE OR FIT FOR ANY PARTICULAR PURPOSE. Company's liability for breach of the terms of this Agreement, including any warranty, is limited to either refund of the invoice price of the Merchandise or at Company's option, replacement of the Merchandise free of charge, including transportation charges but not including the cost of labor. Purchaser has not relied on any statement or upon the conduct of Company with respect to the prospective use of the merchandise. Company shall not be liable for and Purchaser waives any and all claims for any loss or damage, directly or indirectly, arising from the use of the Merchandise and for punitive, incidental or consequential damages, including, but not limited to, damages to property, for loss of use, loss of time, loss of profit or loss of income. The Company does not authorize the sale of our products under any other warranty, expressed or implied.
6. **SETOFF.** All claims for money due or to become due from the Company shall be subject to deduction by the Company for any setoff or counterclaim arising out of this or any other claims of the Company or its affiliated companies, whether such setoff or counterclaim arose before or after any assignment by Purchaser.
7. **INDEMNIFICATION.** Purchaser agrees to indemnify the Company and hold it harmless from and against all claims, liability, loss, damage or expense, including reasonable counsel fees, arising from or by reason of any modifications or alterations made by Purchaser. If a customer of the Company modifies or alters any part, in any manner whatsoever, or uses any part in departure from recommended performance specifications, said customer agrees to indemnify and hold the Company harmless from and against all liability and expenses based on damage to property or injury to or death of any person arising out of or attributable to such modified or altered part. Further, the Company will not accept any such modified or altered part for credit to a customer's account.
8. **FREIGHT POLICY.** Freight charges on individual orders less than \$3,000 in net value are prepaid and added to invoice or collect F.O.B. shipping point. Freight charges (standard ground service and continental US only) on individual orders more than \$3,000 net value are paid by the Company F.O.B. shipping point. Note: customers with C.O.D. terms are responsible for all carrier C.O.D. fees regardless of order net value.
9. **RETURN POLICY.** To return parts for credit or inspection Purchaser must first contact the Company to obtain a Return Goods Authorization number (RGA#). Once Purchaser has obtained an RGA# the parts can be returned freight prepaid only. The RGA# must be on the outside of the container in a highly visible location. All parts must be returned freight prepaid and the shipment must include a letter of explanation giving the specific reason for return including details as to the conditions under which the part or parts operated. Note: parts returned without an RGA#, freight collect or without written explanation may be refused. Parts which have been used in any way or manner, including any installation or incorporation into a lift or hoist, shall NOT be eligible for return whether or not an RGA has been assigned.
10. **RESTOCK CHARGE.** Returns are subject to up to twenty-five (25%) restocking charge. Refusals are subject to the same restocking charge plus the cost of outbound and return freight charges and/or fees incurred by the Company due to shipment refusal.
11. **PRICES AND PAYMENTS.** All prices are subject to change without notice. All prices are F.O.B. shipping point. The Company standard terms are net 30 days, C.O.D. company check, C.O.D. cash, VISA, MasterCard, Discover or American Express. However, if in the judgment of the Company, the financial condition of the Purchaser at any time does not justify shipment according to standard terms of payment, the Company may require full or partial payment in advance.
12. **INTERPRETATION.** This sales order is intended by the parties as a complete and exclusive statement of the terms of their agreement. It supersedes all prior agreements, written or oral. No course of prior dealings between the parties and no usage of the trade shall be relevant to supplement or explain any terms used in this sales order. Acceptance or acquiescence in a course of performance rendered under this purchase order shall not be relevant to determine the meaning of this sales order even though the accepting or acquiescing party has knowledge of the nature of the performance and opportunity for objection. Whenever a term defined by the UCC is used in this sales order the definition contained in the UCC shall control.
13. **MODIFICATION.** This sales order can be modified or rescinded only by a writing signed by both parties.
14. **WAIVER.** No claim or right arising out of a breach of this sales order can be discharged in whole or in part by a waiver or renunciation of the claim or right unless such waiver or renunciation is supported by consideration and is in writing signed by the aggrieved party.
15. **ASSIGNMENT.** No right or interest in this sales order shall be assigned by either party without the written consent of the other and no delegation of any obligation owed, or of the performance of any obligation by either the Company or Purchaser shall be made without the written consent of the other party. Any attempted assignment or delegation not made in conformity with this paragraph shall be wholly void and totally ineffective for all purposes.
16. **TIME TO PERFORM AND BRING ACTION.** Time is of the essence of this sales order. Any action for breach of this sales order shall be commenced within two (2) years after the cause of action has accrued. Any party who loses any litigation shall reimburse the other party for costs including reasonable attorneys fees. The exclusive jurisdiction for any legal action shall be the Circuit Court of DeKalb County, Illinois.
17. **APPLICABLE LAW.** This sales order shall be governed by the UCC of Illinois as effective and in force on the date of this sales order.

*Offering the Best in Automotive Lift Repair Parts and More!*

---

Auto Lift Cables • Auto Lift Parts • Brake Lathe Repair Parts

Compressed Air Repair Parts • Exhaust System Products • Fluid Delivery Repair Parts

Lubrication Equipment Repair Parts • Repair Parts for Gasboy Consumer Series

Service Station Pump and Tank Products • SVI Misc Auto Lift Products and Catalogs

Tire Changer Repair Parts • Vehicle Lifting Systems • Wheel Balancer Accessories

---

***Serving the Industry Since 1977 • Same-Day Shipping***



**SVI International, Inc.**

**(800) 321-8173 • fax: (800) 899-1784**

155 Harvestore Drive • DeKalb, IL 60115

**[www.sviinternational.com](http://www.sviinternational.com)**

**BALTIMORE • CHICAGO • LOS ANGELES**

While the utmost care has been used in compiling this reference material, we assume no responsibility for errors. Specifications are subject to change without notice. This edition supersedes all previous editions or issues. SVI reference material is subject to change without notice. All rights reserved.