

Automotive Lift

R E P A I R P A R T S



SVI International, Inc.
(800) 321-8173 • fax: (800) 899-1784
155 Harvestore Drive • DeKalb, IL 60115
www.sviinternational.com

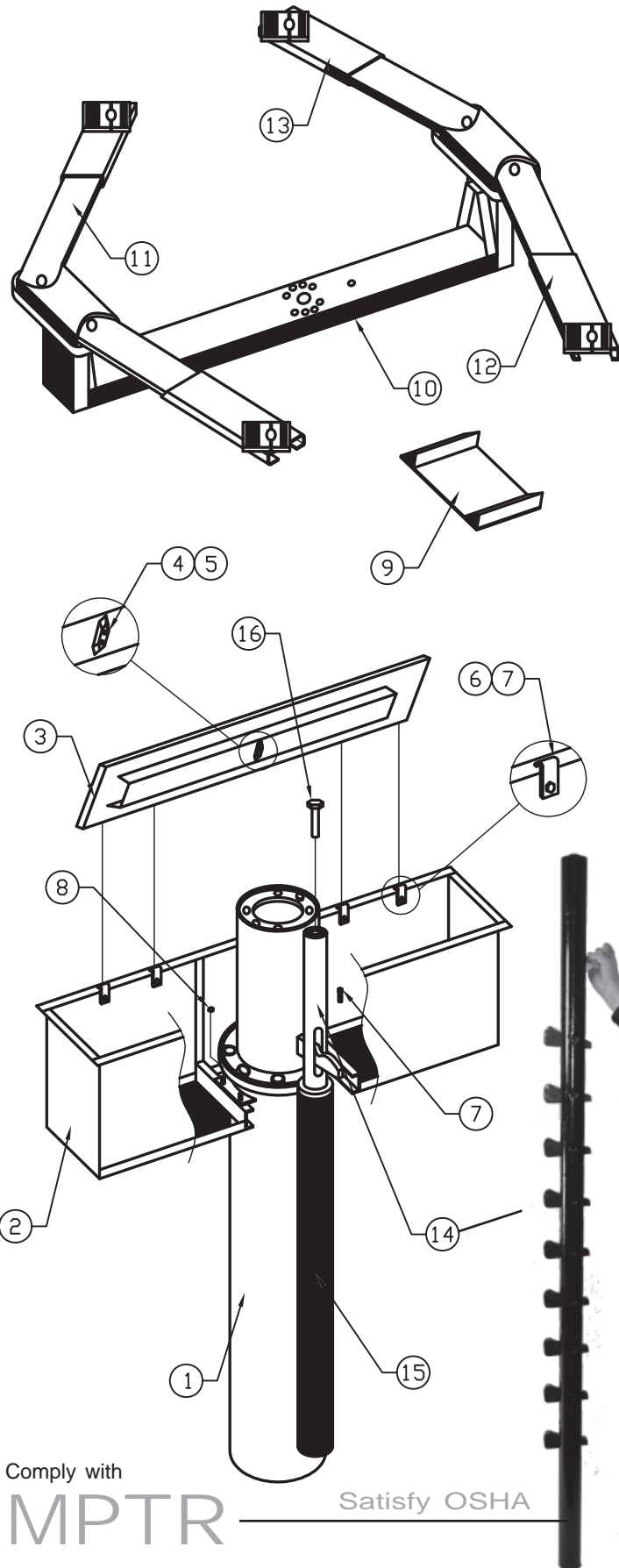
BALTIMORE • CHICAGO • LOS ANGELES

Repair Parts for: **Rotary**

Repair Parts for:
Rotary
LRC7500I

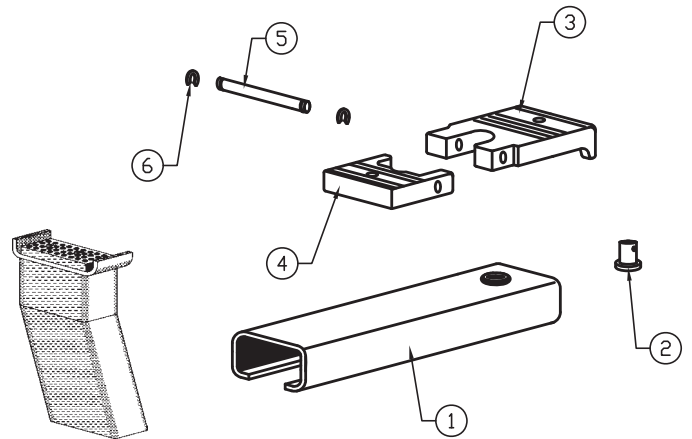


for lift model DRT10 A&H MKII & MKVI



Item	SVI part#	OEM#	Req	Description
1	BH-9762-06	JK1154-1		DRT10A - Semi-Hydraulic
	BH-9762-07	JK1155-1		DRT10H - Full Hydraulic
2	BH-9761-70	FJ45		Housing
3	BH-9761-69	FJ45-4		Door Assembly
4	BH-9770-02	FF634-9		Rub Bar
5	call with length		2	#8-32 Type T Pan Head Screw
6	BH-9770-01	FF634-7		Door Retainer
7	F-HC-0375-16-0625		12	3/8 - 16 x 5/8 Hex Head Capscrew
8	F-HN-0500-13		4	1/2-13 Hex Nut
9	BH-9701	FF729	1	15" Wide Reach Wheel Spotter
	BH-9702	SVI Exclusive	1	15" Wide Reach Dual Spotter
10	call for price	FJ2201		Yoke
	call for price	FJ2124		Yoke
11	BH-9755-10	FJ2199		Arm Assembly
	BH-9755-09	FJ2125		Arm Assembly (MKII Original Part #)
12	BH-9760-23	FJ693		Rear Adapter Assembly
	BH-9755-27	FJ672		Rear Adapter Ass'y (MKII Orig. Part #)
13	BH-9760-25	FJ692		Front Adapter Assembly
	BH-9755-19	FJ671		Front Adapter Ass'y (MKII Orig. Part #)
14	BH-MPTR-66	SVI Exclusive	1	Multi-Position Safety Leg
	BH-9766-32	FA2111		Top Release Safety Leg
15	BH-9770-58	FA2158		Safety Leg Guide Tube
	BH-9766-24	FA218		Outer Pipe MKII
16	F-HC-0750-10-3500			3/4-10 x 3-1/2 Hex Head Capscrew

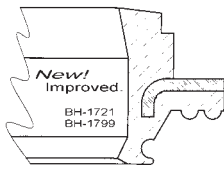
sleeve and adapters



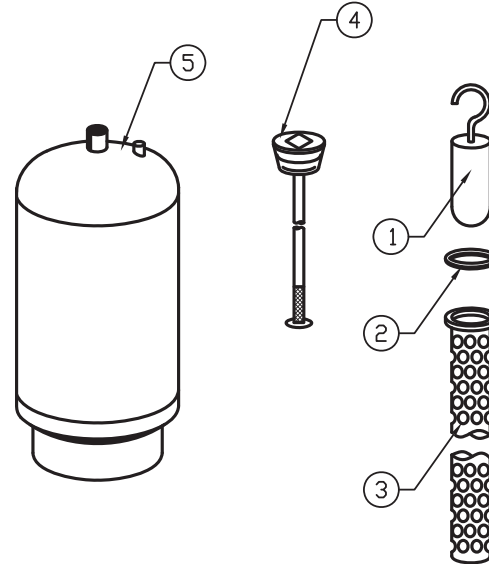
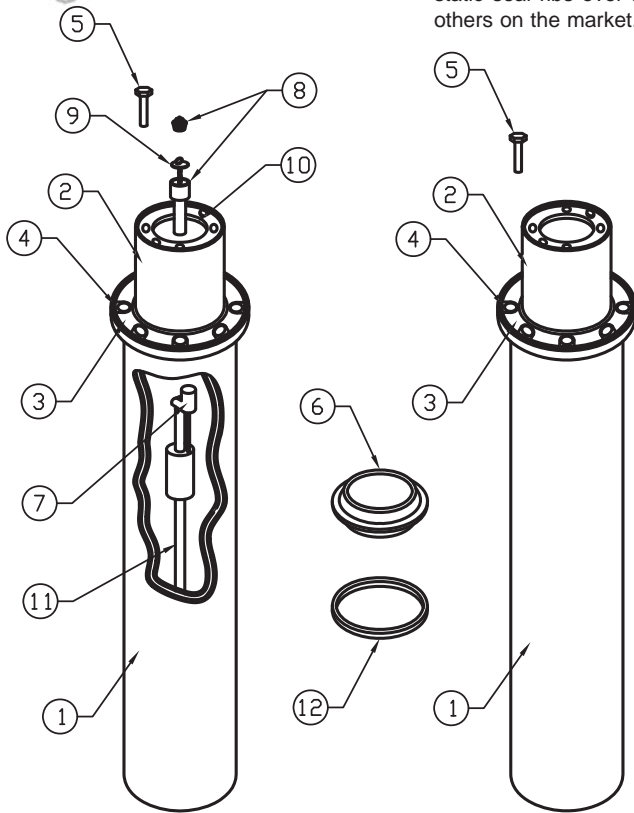
Height Extensions
 SVI has a huge selection
 - call for more options.

Item	SVI part#	OEM#	Req	Description
1	BH-9760-26	FJ692-1		Adapter Base (19" Long) for MKVI
	BH-9755-24	FJ693-1		Adapter Base (24" Long) for MKVI
	BH-9755-23	FJ671-4		Adapter Base (19" Long) for MKII
2	BH-9755-34	FJ672-4		Adapter Base (23" Long) for MKII
	BH-9755-25	FJ671-5		Swivel Pin
3	BH-9755-20	FJ671-1		Adapter High Step
4	BH-9755-21	FJ671-2		Adapter Low Step
5	BH-9755-22	FJ671-3		Adapter Pin
6	BH-9755-26	FJ671-6		Hog Ring
	BH-9755-50	Height Extension		9" Slip-On w/o Rubber Pad
	BH-9755-50B	Height Extension		9" Slip-On w/ Rubber Pad
	BH-9755-50A	Height Extension		11" Slip-On w/o Rubber Pad

for lift model DRT10 A&H MKII & MKVI



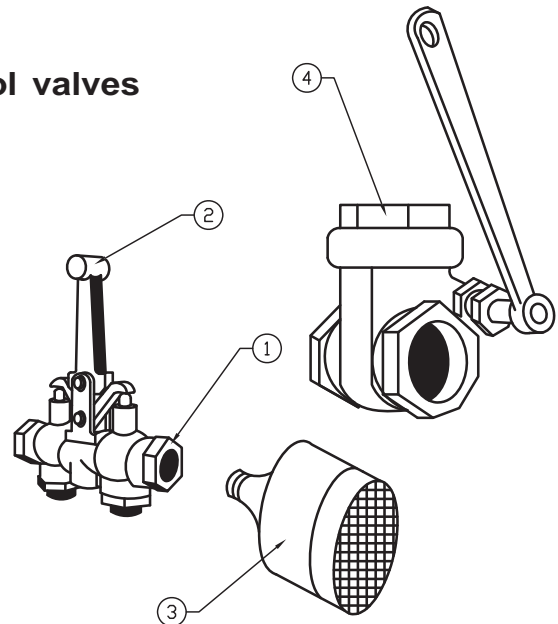
SVI seals offer improved static seal ribs over any others on the market.



Item	SVI part#	OEM#	Req	Description
1	BH-9810	FA123-8	1	Low Oil Float
	BH-9810-01		1	Float Hook
2	call for price		1	Retaining Ring
3	BH-9791-15	FA125-6		Perforated Tube
4	BH-9807	FA123-18	1	Fill Plug/Gauge Assembly
5	BH-9802-C		1	Tank Kit
	BH-9802-FGC		1	Tank Kit Fiberglass Coated

Item	SVI part#	OEM#	Req	Description
1	n/a	JK7100	1	Casing for JK1154 & JK1154-1
	n/a	JK7101	1	Casing for JK1155 & JK1155-1
2	BH-9771-81	JK482	1	Plunger for JK1154 & JK1154-1
	BH-9780-02	JK478	1	Plunger for JK1155 & JK1155-1
3	BH-9762-02ATF	SVI Exclusive		10-5/8" Adjust-to-Fit Bearing Kit
	BH-9762-02	JK629	1	10-5/8" Upper Bearing Kit
	BH-1799B	JK622	1	Aluminum Packing Gland
4	FK-60-125	JX207	1	Bleeder Plug
5	F-HC-0875-09-2500		4	7/8-9 x 2-1/2 Hex Head Capscrew
6	BH-1799	JK227 Kit		10-5/8" Seal Kit
	BH-1799/99B	J134	1	10-5/8" Seal and Gland Kit
7	BH-9780-73	FA73		Low Oil Control
8	call for price			1" Close Nipple, Coupling & Plug
9	BH-9768-09	JX196		Oil Gauge
10	BH-9762-96	JK468-2		Flange Bushing
11	BH-9768-04	JX160		Replacement Air Line
12	BH-9762-95	JK438-3-1		"O" Ring

control valves



Item	SVI part#	OEM#	Req	Description
1	FK-303-500	FA376		Air Control Valve Non-Locking Semi
	FK-302-500	FA377		Air Control Valve Locking Full Hydraulic
2	FK-302-04	FA377-1		Locking Handle
	FH-303-04	FA376-4		Non-Locking Handle
3	BH-9640	FA515		1/2" NPT Air Muffer
4	FK-438	Morrison	1	1-1/4" Internal Spring Oil Valve
	FK-238	Morrison	1	1-1/4" External Spring Oil Valve
	FK-848	AY McDonald	1	1-1/4" External Spring Oil Valve
	FK-902	Milwaukee	1	1-1/4" External Spring Oil Valve

Optional Upper Bearing Kits can help you reduce plunger rock and increase useable lifespan of your lift for many years to come. Choose the field adjustable "ATF" version for precise control of fit during installation. Order BH-9762-02 or BH-9762-02ATF to reduce plunger rock.



**TERMS AND CONDITIONS OF THE
SALES ORDER
FOR SVI INTERNATIONAL, INC.**

1. **GENERAL.** The terms and conditions of sales order outlined herein shall apply to the sale by SVI INTERNATIONAL, INC. (hereinafter referred to as "Company") of the items described on the facing page (hereinafter referred to as "Merchandise") to Purchaser.
2. **DELIVERY.** Delivery shall be deemed to be complete when the Merchandise has been shipped F.O.B. Company's plants in DeKalb, Illinois, Duarte, California; and Baltimore, Maryland ("Company's plants"). Shipments are subject to delays from causes or contingencies beyond the reasonable control of the Company. When otherwise not specified, shipments will be made in standard containers via carrier which, in the judgment of the Company, will result in the most practical method. Title and right of possession will pass to the Purchaser upon receipt by the carrier at the shipping point. If a customer of the Company should specify a specific carrier's method of shipment (i.e. UPS Next Day Air) and that carrier does not perform to the customer's expectations, freight credit to a customer's account will not be issued unless the Company can first obtain a credit.
3. **RISK OF LOSS.** Identification of the Merchandise under Uniform Commercial Code (hereinafter referred to as "UCC") Section 2-501 shall take place at the moment of shipment F.O.B. Company's plants. Risk of loss shall pass to the Purchaser when the Merchandise is shipped from the Company's plants.
4. **TITLE.** Title to the merchandise shall transfer to the Purchaser when the Merchandise is shipped from the Company's plants.
5. **WARRANTIES.** The Company guarantees its products to be free from defects in workmanship and raw materials for a period of one year from date of purchase. THIS WARRANTY IS EXPRESSLY IN LIEU OF ANY AND ALL WARRANTIES EXPRESS OR IMPLIED. COMPANY DOES NOT WARRANT THE MERCHANDISE IS MERCHANTABLE OR FIT FOR ANY PARTICULAR PURPOSE. Company's liability for breach of the terms of this Agreement, including any warranty, is limited to either refund of the invoice price of the Merchandise or at Company's option, replacement of the Merchandise free of charge, including transportation charges but not including the cost of labor. Purchaser has not relied on any statement or upon the conduct of Company with respect to the prospective use of the merchandise. Company shall not be liable for and Purchaser waives any and all claims for any loss or damage, directly or indirectly, arising from the use of the Merchandise and for punitive, incidental or consequential damages, including, but not limited to, damages to property, for loss of use, loss of time, loss of profit or loss of income. The Company does not authorize the sale of our products under any other warranty, expressed or implied.
6. **SETOFF.** All claims for money due or to become due from the Company shall be subject to deduction by the Company for any setoff or counterclaim arising out of this or any other claims of the Company or its affiliated companies, whether such setoff or counterclaim arose before or after any assignment by Purchaser.
7. **INDEMNIFICATION.** Purchaser agrees to indemnify the Company and hold it harmless from and against all claims, liability, loss, damage or expense, including reasonable counsel fees, arising from or by reason of any modifications or alterations made by Purchaser. If a customer of the Company modifies or alters any part, in any manner whatsoever, or uses any part in departure from recommended performance specifications, said customer agrees to indemnify and hold the Company harmless from and against all liability and expenses based on damage to property or injury to or death of any person arising out of or attributable to such modified or altered part. Further, the Company will not accept any such modified or altered part for credit to a customer's account.
8. **FREIGHT POLICY.** Freight charges on individual orders less than \$3,000 in net value are prepaid and added to invoice or collect F.O.B. shipping point. Freight charges (standard ground service and continental US only) on individual orders more than \$3,000 net value are paid by the Company F.O.B. shipping point. Note: customers with C.O.D. terms are responsible for all carrier C.O.D. fees regardless of order net value.
9. **RETURN POLICY.** To return parts for credit or inspection Purchaser must first contact the Company to obtain a Return Goods Authorization number (RGA#). Once Purchaser has obtained an RGA# the parts can be returned freight prepaid only. The RGA# must be on the outside of the container in a highly visible location. All parts must be returned freight prepaid and the shipment must include a letter of explanation giving the specific reason for return including details as to the conditions under which the part or parts operated. Note: parts returned without an RGA#, freight collect or without written explanation may be refused. Parts which have been used in any way or manner, including any installation or incorporation into a lift or hoist, shall NOT be eligible for return whether or not an RGA has been assigned.
10. **RESTOCK CHARGE.** Returns are subject to up to twenty-five (25%) restocking charge. Refusals are subject to the same restocking charge plus the cost of outbound and return freight charges and/or fees incurred by the Company due to shipment refusal.
11. **PRICES AND PAYMENTS.** All prices are subject to change without notice. All prices are F.O.B. shipping point. The Company standard terms are net 30 days, C.O.D. company check, C.O.D. cash, VISA, MasterCard, Discover or American Express. However, if in the judgment of the Company, the financial condition of the Purchaser at any time does not justify shipment according to standard terms of payment, the Company may require full or partial payment in advance.
12. **INTERPRETATION.** This sales order is intended by the parties as a complete and exclusive statement of the terms of their agreement. It supersedes all prior agreements, written or oral. No course of prior dealings between the parties and no usage of the trade shall be relevant to supplement or explain any terms used in this sales order. Acceptance or acquiescence in a course of performance rendered under this purchase order shall not be relevant to determine the meaning of this sales order even though the accepting or acquiescing party has knowledge of the nature of the performance and opportunity for objection. Whenever a term defined by the UCC is used in this sales order the definition contained in the UCC shall control.
13. **MODIFICATION.** This sales order can be modified or rescinded only by a writing signed by both parties.
14. **WAIVER.** No claim or right arising out of a breach of this sales order can be discharged in whole or in part by a waiver or renunciation of the claim or right unless such waiver or renunciation is supported by consideration and is in writing signed by the aggrieved party.
15. **ASSIGNMENT.** No right or interest in this sales order shall be assigned by either party without the written consent of the other and no delegation of any obligation owed, or of the performance of any obligation by either the Company or Purchaser shall be made without the written consent of the other party. Any attempted assignment or delegation not made in conformity with this paragraph shall be wholly void and totally ineffective for all purposes.
16. **TIME TO PERFORM AND BRING ACTION.** Time is of the essence of this sales order. Any action for breach of this sales order shall be commenced within two (2) years after the cause of action has accrued. Any party who loses any litigation shall reimburse the other party for costs including reasonable attorneys fees. The exclusive jurisdiction for any legal action shall be the Circuit Court of DeKalb County, Illinois.
17. **APPLICABLE LAW.** This sales order shall be governed by the UCC of Illinois as effective and in force on the date of this sales order.

Offering the Best in Automotive Lift Repair Parts and More!

Auto Lift Cables • Auto Lift Parts • Brake Lathe Repair Parts

Compressed Air Repair Parts • Exhaust System Products • Fluid Delivery Repair Parts

Lubrication Equipment Repair Parts • Repair Parts for Gasboy Consumer Series

Service Station Pump and Tank Products • SVI Misc Auto Lift Products and Catalogs

Tire Changer Repair Parts • Vehicle Lifting Systems • Wheel Balancer Accessories

Serving the Industry Since 1977 • Same-Day Shipping



SVI International, Inc.

(800) 321-8173 • fax: (800) 899-1784

155 Harvestore Drive • DeKalb, IL 60115

www.sviinternational.com

BALTIMORE • CHICAGO • LOS ANGELES

While the utmost care has been used in compiling this reference material, we assume no responsibility for errors. Specifications are subject to change without notice. This edition supersedes all previous editions or issues. SVI reference material is subject to change without notice. All rights reserved.