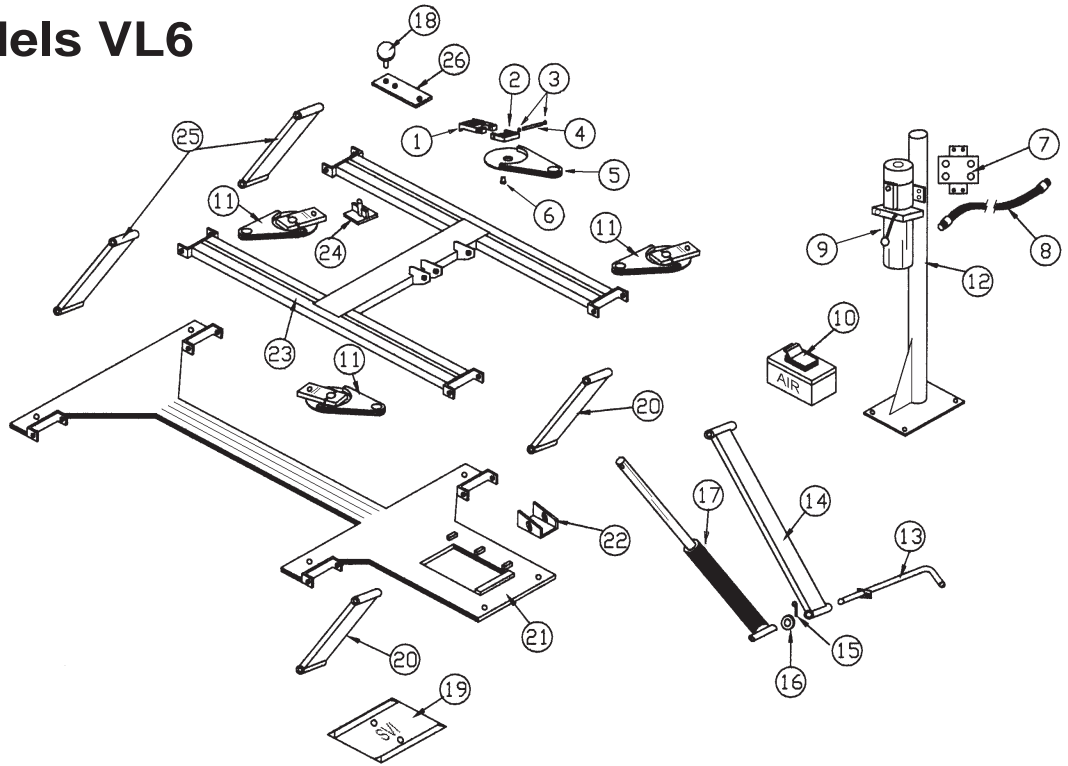


SVI "Direct Fit" brand Lift Repair Parts for Rotary lifts.

entire contents copyright © 2005 SVI International, Inc.

for lift models VL6

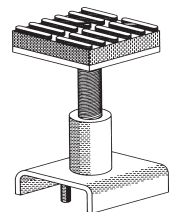


Item	SVI part#	OEM#	Req	Description
1	BH-9755-20	FJ671-1	4	High Step Ductile Iron Adapter
2	BH-9755-21	FJ671-2	4	Low Step Ductile Iron Adapter
3	BH-9755-26	FJ671-6	8	3/32" Hog Ring
4	BH-9755-22	FJ671-3	4	Adapter Pivot Pin
5	BH-7546-033		4	Adapter Swivel Base
6	BH-9755-25L	FJ79-6	4	Adapter Swivel Pin
7	BH-9785-45	T120020	1	Wall Mount for Power Unit
8	BH-7512-17	FJ85	1	Power Unit Hose
9	BH-7007-01	P833	1	Power Unit
10	SF-22903	P831	1	Pump for air operated models
11	BH-9760-71	FJ2379	4	Adapter base and Adapters
12	BH-7537-34	FJ864	1	Power Unit Stand (one unit)
13	BH-7510-99	FJ2294-3	1	Lock Release Handle
14	BH-7546-007	FJ2458	1	Lock Leg
15	F-CP-125-1250			1/8" x 1-1/4" Cotter Pin
16	BH-7546-008	FJ2252-4	1	Washer
17	BH-7505-02	FJ2248	1	Hydraulic Cylinder
	BH-7505-02S	FJ2248-12TH		Seal Kit for Texas Hyd Cylinder
18	BH-7546-032	FJ2374	4	Adapter
19	BH-9701	SVI Exclusive	1	15" Wide Reach Wheel Spotter
	BH-9702	SVI Exclusive	1	15" Wide Reach Dual Spotter
20	BH-7546-010	FJ2244	2	Front Lift Leg
21	BH-7546-018	FJ2370	1	Mounting Plate
22	BH-7546-012	FJ2293-1	1	Cylinder Retainer
23	BH-7546-013	FJ2459	1	Superstructure
24	BH-7545-49	FJ2261	4	Adapter Slide (sold individually)
25	BH-7546-015	FJ2245	2	Rear Lift Leg
26	BH-7546-031	FJ2373	4	Swing Arm



20,000+
lift repair parts available!

SVI stocks more lift repair parts than anyone in North America. This includes all the repair parts for Rotary lifts and power units and parts used on Rotary lifts. The power unit pictured to the left was domestically produced in Rockford, Illinois by Fenner Fluid Power and still available everyday from SVI.



Need height extensions for this Rotary lift model or any other lift model, SVI is your answer.

**HAVE ANY CUSTOM NEEDS,
CALL SVI FIRST. 800-321-8172,
ONE CALL DOES IT ALL.**