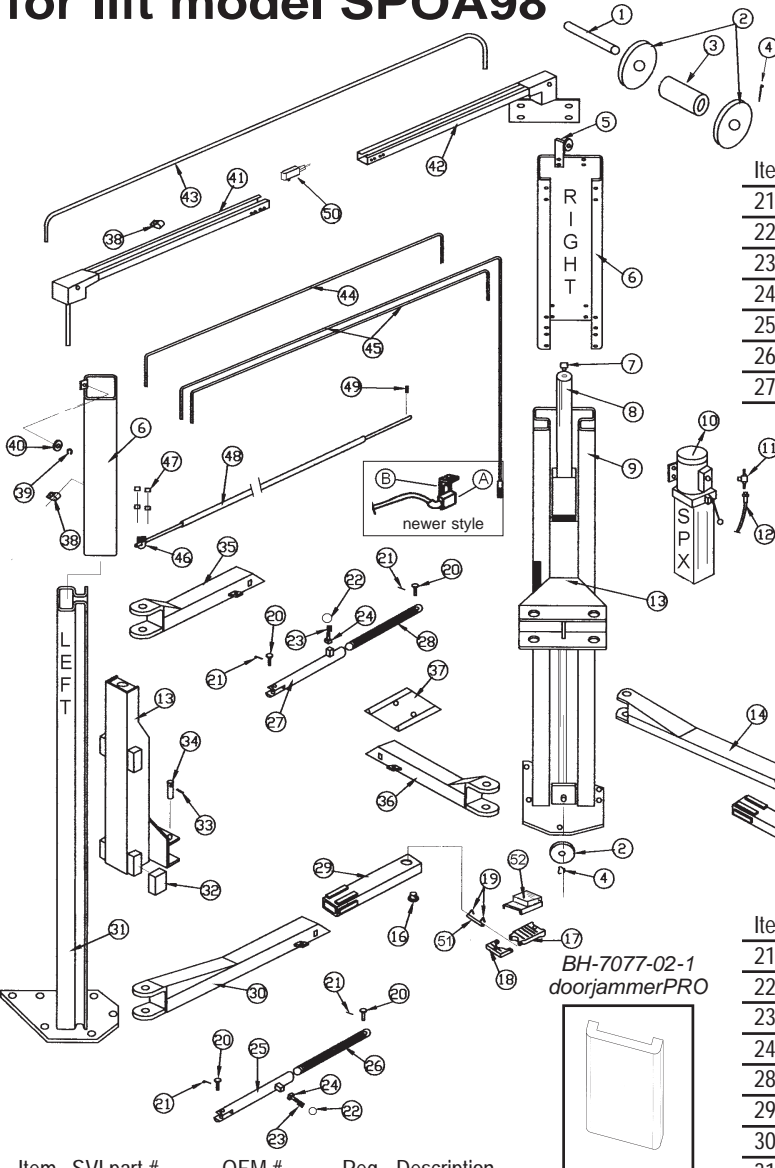


# SVI "Direct Fit" brand Lift Repair Parts for Rotary lifts.

entire contents copyright © 2005 SVI International, Inc.

## for lift model SPOA98



Item	SVI Part#	Description
A	BH-7004-19	Switch
B	BH-7503-65	Housing

Item	SVI part #	OEM #	Req	Description
21	F-CP-125-0750		8	1/8" x 3/4" Cotter Pin
22	BH-7503-45	FC134-91	4	Red Ball
23	BH-7503-46	FC134-89	4	Arm Restraint Spring
24	BH-7503-47	FJ7233-25	4	Arm Restraint Plunger
25	BH-7502-39	FJ7366-1	2	Arm Restraint Outer Tube, rear
26	BH-7503-23A	FJ7233-27	2	Arm Restraint Inner Bar, rear
27	BH-7502-41	FJ7366-3	2	Arm Restraint Outer Tube, front

For all the carriage lock parts see index for "Two Post Carriage Locks"



### Arm Restraint Individual Complete Assembly

SVI part #	OEM#	Description
BH-7508-01F	FJ7524	Front Arm Restraint Assy
BH-7508-01R	FJ7523	Rear Arm Restraint Assy

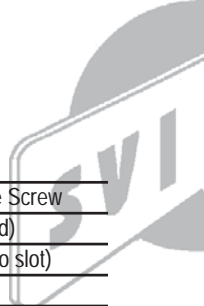
Item	SVI part #	OEM#	Req	Description
21	F-CP-125-0750		8	1/8" x 3/4" Cotter Pin
22	BH-7503-45	FC134-91	4	Red Ball
23	BH-7503-46	FC134-89	4	Arm Restraint Spring
24	BH-7503-47	FJ7233-25	4	Arm Restraint Plunger
28	BH-7502-43	FJ7366-5	2	Arm Restraint Inner Bar, front
29	BH-7534-68	FJ7491-6	2	Front Inner Swing Arm
30	BH-7534-72	FJ7493-1	1	Left Rear Outer Swing Arm
31	BH-7354-62	FJ7485	1	Left Column
32	BH-7510-03	FJ7360	8	Slider Block (cup style)
33	F-CP-187-2000		4	3/16" x 2" Cotter Pin
34	BH-7503-36	FJ7501	4	Arm Swivel Pin
	BH-7503-36FP		4	Arm Swivel Pin (fixes arm sag)
35	BH-7534-67	FJ7491-1	1	Left Front Outer Swivel Arm
36	BH-7534-70	FJ7492-1	1	Right Front Outer Swivel Arm
37	BH-9701	FF729	1	15" Wide Reach Wheel Spotter
	BH-9702		1	15" Wide Reach Dual Spotter
38	BH-7535-70	FJ7669	6	Hose Clip
39			2	Ext. Retaining Ring 5304-37
40	BH-7501-26	FJ7322	4	Lock Latch Cable Sheave
41	BH-7502-96	FJ7445-1	1	Left Overhead Crossbeam Assy
42	BH-7502-88	FJ7444-1	1	Right Overhead Crossbeam Assy
43	BH-7501-25	FJ7594-1	1	Lock Latch Cable Assembly
44	BH-7512-07	FJ86	1	Hydraulic Hose
45	BH-7500-24	FJ7490	2	Equalizer Cable
46	BH-7503-43	FJ7448-1	1	U-Bolt
47	F-HN-0250-20		8	1/4"-20 Hex Nut
48	BH-7503-05	FJ7448-2	1	Overhead Limit Crossbar
49	F-CP-125-1000		1	1/8" x 1" Cotter Pin
50	BH-7503-04	FJ7448	1	Overhead Limit Switch
51	BH-9755-22	FJ671-3	4	Adapter Pivot Pin
52	BH-7502-01	FJ697	4	Rubber Pad Adapter Type SPR1

Item	SVI part #	OEM #	Req	Description
1	BH-7500-68	FJ7444-8	2	Sheave Shaft
2	BH-7500-50	SVI exclusive	6	Sheave, Steel
	BH-7500-50N	FJ7116-1	6	Sheave, Nylon
3	BH-7500-65C	FJ719-10	4	2-7/16" Sheave Spacer
4	F-CP-125-1500			1/8" x 1-1/2" Cotter Pin
5	BH-7502-90	FJ7444-11	1	RH Lock Latch Sheave Bracket
6	BH-7534-65	FJ7489	2	Standard Column Extension
7	call for details		2	Bleeder Screw for MF cylinders
8	BH-7511-03	FJ7311	2	Hydraulic Cylinder
9	BH-7534-64	FJ7486	1	Right Column
10	BH-7006-01	P602	1	Power Unit
11	BH-7535-69	FJ7374	1	Branch Tee
12	BH-7512-41	FJ837	1	PU Hose 68" long w/male ends
13	BH-7534-61	FJ7484	1	Right Carriage Weldment
	BH-7534-60	FJ7483	1	Left Carriage Weldment
14	BH-7534-75	FJ7494-1	1	Right Rear Outer Swing Arm
15	BH-7508-74	FJ7493-6	2	Rear Inner Swing Arm
16	BH-9755-25L	FJ79-6	4	Adapter Swivel Pin
17	BH-9755-20	FJ671-1	4	High Step Ductile Iron Adapter
18	BH-9755-21	FJ671-2	4	Low Step Ductile Iron Adapter
19	BH-9755-26	FJ671-6	8	Hog Ring Clip
20	BH-7503-48	FJ7233-22	4	Clevis Pin, arm connection
	BH-7502-03	FJ7359-5	4	Clevis Pin, carriage connection

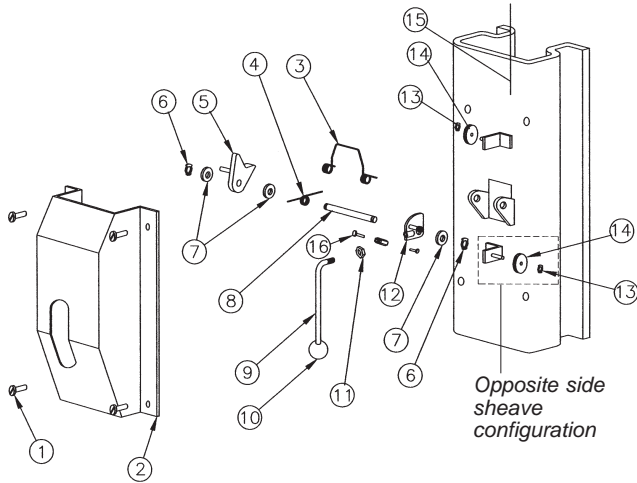
All names, numbers, symbols and descriptions are used for reference purposes only. It is not implied that any part listed is the product of these manufacturers; however, some parts may be the actual product of these manufacturers.

# SVI "Direct Fit" brand Lift Repair Parts for Rotary lifts.

entire contents copyright © 2005 SVI International, Inc.

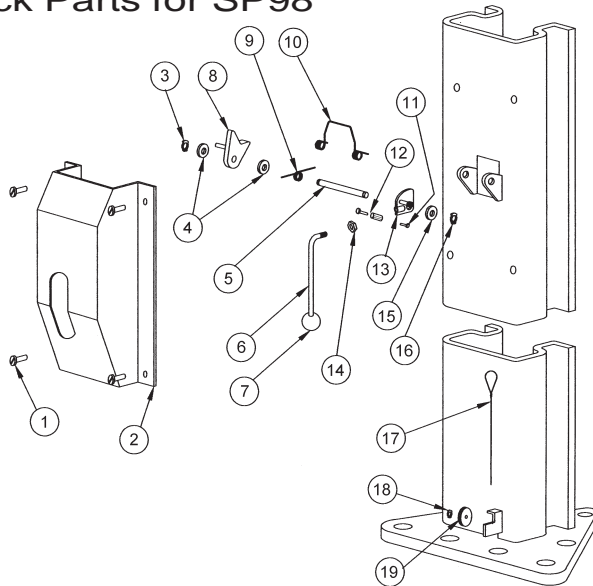


## Lock Parts for SPOA88 & SPOA98



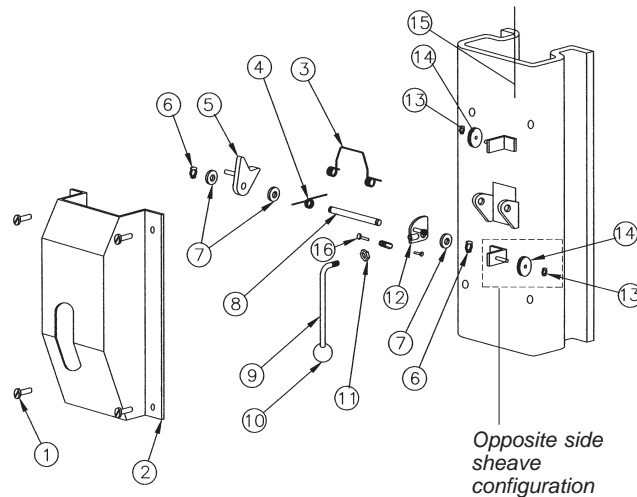
Item	SVI part #	OEM #	Req	Description
1	F-MS-0312-18-0375		4	5/16"-18 x 3/8" Machine Screw
2	BH-7502-51	FJ7452	1	Main Side Cover (slotted)
	BH-7502-50	FJ7451	1	Opposite Side Cover (no slot)
3	BH-7503-10	FJ7382-2	2	Lock Latch Spring
4	BH-7503-16	FJ7382-9	2	Spring
5	BH-7503-14	FJ7382-7	2	Lock Latch Pawl
6	BH-7500-62A		4	Ext. Retaining Ring 5304-75
7	BH-7500-49B	41388	2	3/4" x 1-1/2" Bushing
8	BH-7503-11	FJ7382-3	2	Lock Shaft
9	BH-7503-17	FJ7382-18	1	Lock Release Handle
10	BH-7503-45	FC134-9-10	1	Red Ball
11	F-JN-0375-16		1	3/8" Jam Nut
12	BH-7503-40	FJ7594-2	1	Control Plate Main Side
	BH-7503-13	FJ7382-5	1	Control Plate Opposite Side
13	BH-7537-59B	41410	2	Ext. Retaining Ring 5304-37
14	BH-7501-26	FJ7322	2	Lock Cable Sheave
15	BH-7501-24	FJ7594-1	1	Locking Latch Release Cable

## Lock Parts for SP98



Item	SVI part #	OEM #	Req	Description
1	F-MS-0312-18-0375		4	5/16"-18 x 3/8" Machine Screw
2	BH-7502-51	FJ7452	1	Main Side Cover (slotted)
	BH-7502-50	FJ7451	1	Opposite Side Cover (no slot)
3	BH-7500-62A		2	Ext. Retaining Ring 5304-75
4	BH-7500-49B	41388	1	1-1/2" x 3/4" Bushing
5	BH-7503-11	FJ7382-3	1	Lock Latch Shaft
6	BH-7503-17	FJ7382-18	1	Lock Release Handle
7	BH-7503-45	FC134-91	1	Round Ball
8	BH-7503-14	FJ7382-7	2	Lock Latch Dog
9	BH-7503-16	FJ7382-9	2	Spring
10	BH-7503-10	FJ7382-2	2	Lock Spring
11	F-HC-0250-20-0500			1/4"-20 x 1/2" Hex Capscrew
12	BH-7535-18	FJ7594-3	2	Lock Latch Cable Adjuster
13	BH-7503-40	FJ7594-2	2	Lock Latch Control Plate
14	F-JN-0375-16			3/8"-16 Jam Nut
15	BH-7500-49B	41388	1	1-1/2" x 3/4" Bushing
16	BH-7500-62A		2	Ext. Retaining Ring 5304-75
17	BH-7501-24	FJ7594-1	1	Locking Latch Release Cable
18	BH-7537-59B	41410		Ext. Retaining Ring 5304-37
19	BH-7501-26	FJ7322		Lock Latch Sheave/Pulley

## Lock Parts for SPO98



Item	SVI part #	OEM #	Req	Description
1	F-MS-0312-18-0375		4	5/16"-18 x 3/8" Machine Screw
2	BH-7502-51	FJ7452	1	Main Side Cover (slotted)
	BH-7502-50	FJ7451	1	Opposite Side Cover (no slot)
3	BH-7503-10	FJ7382-2	2	Lock Latch Spring
4	BH-7503-16	FJ7382-9	2	Spring
5	BH-7503-14	FJ7382-7	2	Lock Latch Pawl
6	BH-7500-62A		4	Ext. Retaining Ring 5304-75
7	BH-7500-49B	41388	2	3/4" x 1-1/2" Bushing
8	BH-7503-11	FJ7382-3	2	Lock Shaft
9	BH-7503-17	FJ7382-18	1	Lock Release Handle
10	BH-7503-45	FC134-91	1	Red Ball
11	F-JN-0375-16		1	3/8" Jam Nut
12	BH-7503-40	FJ7594-2	1	Control Plate Main Side
	BH-7503-13	FJ7382-5	1	Control Plate Opposite Side
13	BH-7537-59B	41410	2	Ext. Retaining Ring 5304-37
14	BH-7501-26	FJ7322	2	Lock Cable Sheave
15	BH-7501-24	FJ7594-1	1	Locking Latch Release Cable
16	BH-7535-18	FJ7594-3	1	Latch Cable Adjuster