

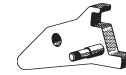
Insist on only SVI "Direct Fit" brand Lift Repair Parts.

This model has enjoyed a long run of popularity and has been revised slightly over the years. Please do not hesitate to call for assistance in identifying the proper parts for the version you are servicing.

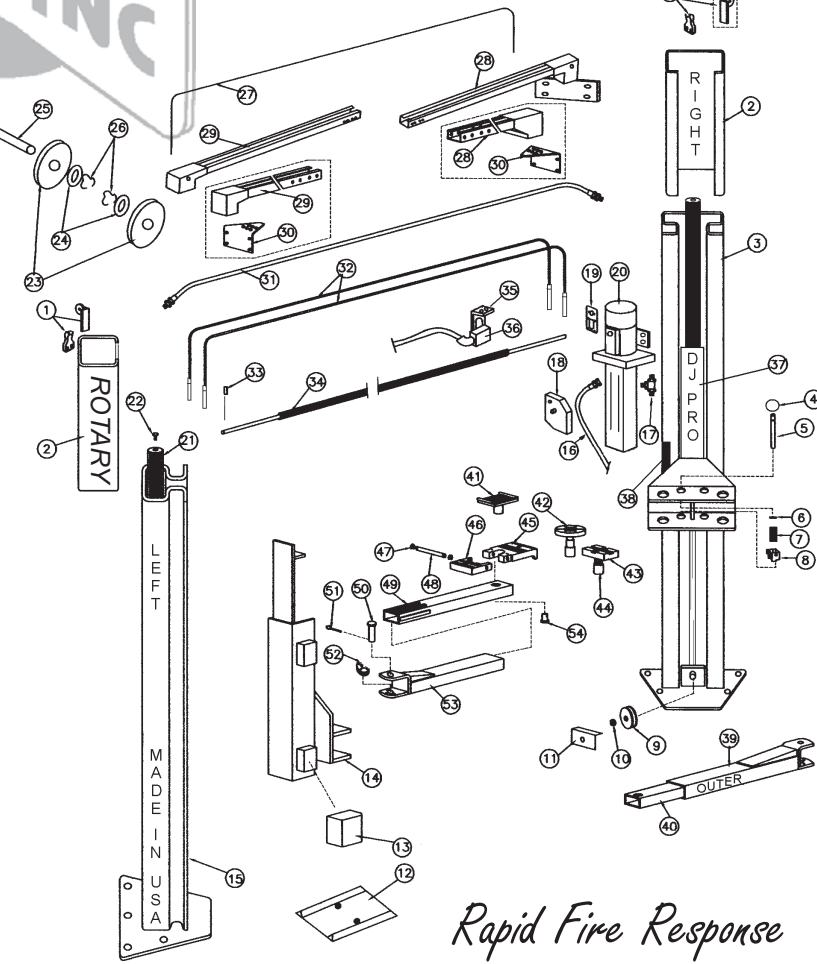
entire contents copyright © 2005 SVI International, Inc.

for lift model SPOA9

Cylinder seal kits for the OE# N342 hydraulic cylinder once used on this model are available as well as all other cylinder seal kits.



For all the carriage lock parts see index for "Two Post Carriage Locks"



Rapid Fire Response

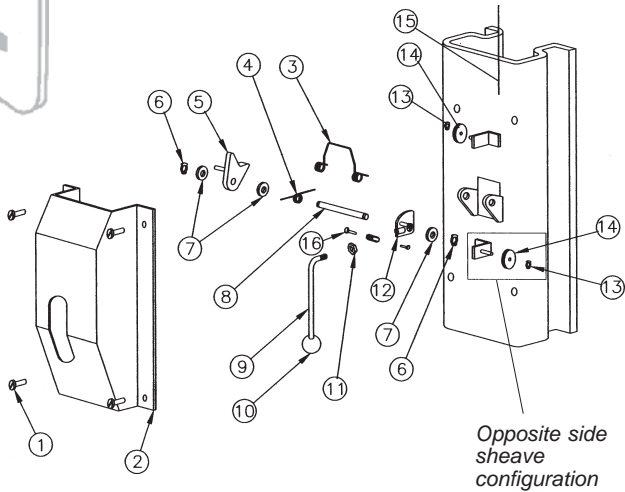
Item	SVI part#	OEM#	Req	Description
1	BH-7502-97	FJ7445-6	1	Left Lock Sheave/Bracket Assy
	BH-7502-90	FJ7444-14	1	Right Lock Sheave/Bracket Assy
	BH-7501-26	FJ7322	2	Lock Latch Cable Sheave
	BH-7528-94	N69	2	Nylon Lock Cable Guide (newer)
2	BH-7528-91	N410	2	Column Extension
3	call for details	N729	1	Right Column
4	BH-7508-20	FJ7985-1	4	Arm Restraint Release Loop
5	BH-7535-57	FJ7656-1	4	Arm Restraint Pin (SPOA9 SPOA9-100)
	BH-7528-07	N121-1	4	Arm Restraint Pin (SPOA9-200 up)
6	BH-7528-06	N119-3	4	Ext. Retaining Ring
7	BH-7535-58	FJ7656-2	4	Arm Restraint Spring
8	BH-7508-17	FJ7749	4	Arm Restraint Engage Gear
9	BH-7500-50	SVI Exclusive	6	Sheave, steel
	BH-7500-50N	FJ7116-1	6	Sheave, nylon
10	BH-7500-62A	41411		Ext. Retaining Ring 5304-75
11	BH-7502-33	N119-1	2	Debri Shield
12	BH-9701	FF729	1	15" Wide Reach Wheel Spotter
	BH-9702		1	15" Wide Reach Dual Spotter
13	BH-7510-03	FJ7360	8	Slider Block (cup style)
14	call for details	N89	1	Left Carriage
15	call for details	N719	1	Left Column
16	BH-7512-41	FJ837	1	Power Unit Hose
17	BH-7535-69	FJ7668	1	Tee
18	call for details		1	Adapter Plate (not for SPX)
19	call for details		1	Control Box (specify Ø not SPX)
20	call for details		1	Power Unit (call to discuss versions)
21	BH-7508-53	FJ7664	1	Hydraulic Cylinder (older models)
	BH-7545-15	N380	1	Hydraulic Cylinder (newer models)

Item	SVI part#	OEM#	Req	Description
22	call for details		2	Bleeder Screw
23	BH-7500-50	SVI Exclusive	6	Sheave, steel
	BH-7500-50N	FJ7116-1	6	Sheave, nylon
24	BH-7500-49B	41388	4	Spacer 1-1/2" x .045 thick
25	BH-7500-68	FJ7444-8	2	Sheave Shaft
26	BH-7500-62A	41411		Ext. Retaining Ring 5304-75
27	BH-7501-24	FJ7595-1	1	Lock Latch Release Cable
28	BH-7528-82	N42-1	1	Right Overhead Crossbeam (older)
	BH-7545-51	N438-1	1	Right Overhead Crossbeam (newer)
29	BH-7528-77	N41-1	1	Left Overhead Crossbeam (older)
	BH-7545-50	N437-1	1	Left Overhead Crossbeam (newer)
30	BH-7545-07	N439	2	Mounting Bracket (newer models)
31	BH-7512-20	FJ839	1	Overhead Hydraulic Hose
	BH-7512-23	FJ842	1	Overhead Hydraulic Hose (EH-1)
	BH-7512-24	FJ843	1	Overhead Hydraulic Hose (EH-2)
32	BH-7500-41	N33	2	Equalizer Cable
	BH-7528-74	N34	2	Equalizer Cable (EH-1)
	BH-7528-75	N35	2	Equalizer Cable (EH-2)
33	BH-7503-29	FJ7871		Spacer
34	BH-7508-34	FJ7613-2	1	Overhead Limit Bar
35	BH-7503-08	FJ7613-1	1	Limit Switch Housing (older models)
	BH-7503-65	N413	1	Limit Switch Assembly (newer)
36	BH-7004-19	P461-2	1	Microswitch (older models)
	BH-7538-54	N413-1	1	Microswitch (newer models)
37	BH-7077-02-1	SVI Exclusive	2	doorjammerPRO impact protection
38	BH-7077-01	FJ7391-1	2	doorjammerJR 18" cut-down strip
39	BH-7508-54	FJ7662-1	2	Outer Rear Swing Arm (older)
	BH-7528-37	N238-1	2	Outer Rear Swing Arm (newer)
40	BH-7508-74	FJ7493-6	2	Inner Rear Swing Arm
	BH-7545-34	N2102-1	2	Inner Rear Swing Arm Kit
41	BH-7536-96	FJ6182	4	Rubber Pad Adapter Base
	BH-7536-92P	FJ6158-4	4	Rubber Pad only
42	BH-7536-97	FJ6185	4	Spin-up Adapter w/Pad
43	BH-7508-61	FJ7735-2	4	Rectangular Molded Pad
44	BH-7500-94	FJ6154	4	Rectangular Pad Adapter
45	BH-9755-20	FJ671-1	4	High Step Ductile Iron Adapter
46	BH-9755-21	FJ671-2	4	Low Step Ductile Iron Adapter
47	BH-9755-22	FJ671-3	4	Adapter Pivot Pin
48	BH-9755-26	FJ671-6	8	Hog Ring Clip
49	BH-7534-68	FJ7491-6	2	Inner Front Swing Arm
	BH-7545-35	N2103-1	2	Inner Front Swing Arm Kit
50	BH-7505-14	FJ7838	4	Arm Swivel Pin 8"
51	F-CP-187-2000	41250	4	3/16" x 2" Cotter Pin
52	BH-7508-16A	SVI Exclusive	4	Arm Restraint Gear (adjustable)
	BH-7508-16	FJ7750	4	Arm Restraint Gear (not adjustable)
53	BH-7535-63	FJ7661-1	1	Front Left Outer Swing Arm
	BH-7508-51	FJ7660-1	1	Front Right Outer Swing Arm
	BH-7528-35	N237-1	2	Front Outer Swing Arm (newer)
54	BH-9755-25L	FJ79-6	4	Adapter Swivel Pin

SVI is your answer!

All names, numbers, symbols and descriptions are used for reference purposes only. It is not implied that any part listed is the product of these manufacturers; however, some parts may be the actual product of these manufacturers.

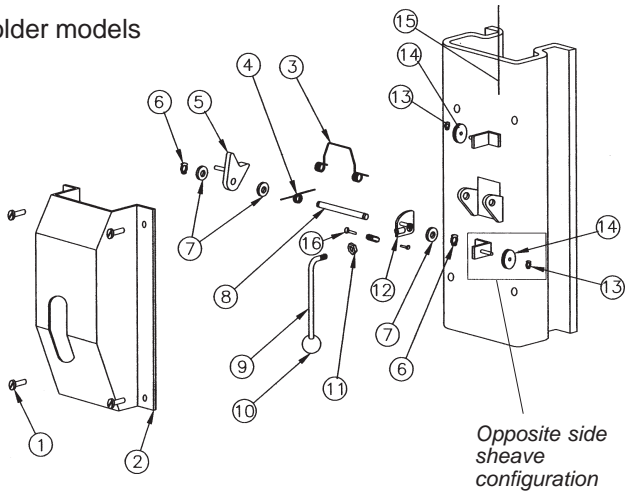
Lock Parts for SPO7 & SPO9



Item	SVI part #	OEM #	Req	Description
1	F-MS-0312-18-0375		4	5/16"-18 x 3/8" Machine Screw
2	BH-7502-51	FJ7452	1	Main Side Cover (slotted)
	BH-7502-50	FJ7451	1	Opposite Side Cover (no slot)
3	BH-7503-10	FJ7382-2	2	Lock Latch Spring
4	BH-7503-16	FJ7382-9	2	Spring
5	BH-7503-14	FJ7382-7	2	Lock Latch Pawl
6	BH-7500-62A	41411	4	Ext. Retaining Ring 5304-75
7	BH-7500-49B	41388	2	3/4" x 1-1/2" Bushing
8	BH-7503-11	FJ7382-3	2	Lock Shaft
9	BH-7503-17	FJ7382-18	1	Lock Release Handle
10	BH-7503-45	FC134-91	1	Red Ball
11	F-JN-0375-16		1	3/8" Jam Nut
12	BH-7503-40	FJ7594-2	1	Control Plate Main Side
	BH-7503-13	FJ7382-5	1	Control Plate Opposite Side
13	BH-7537-59B	41410	2	Ext. Retaining Ring 5304-37
14	BH-7501-26	FJ7322	2	Lock Cable Sheave
15	BH-7501-24	FJ7594-1	1	Lock Release Cable
	BH-7535-21	FJ7600	1	Lock Release Cable (SPO9 EH-4)
16	BH-7535-18	FJ7594-3	1	Latch Cable Adjuster

Lock Parts for SPOA7 & SPOA9

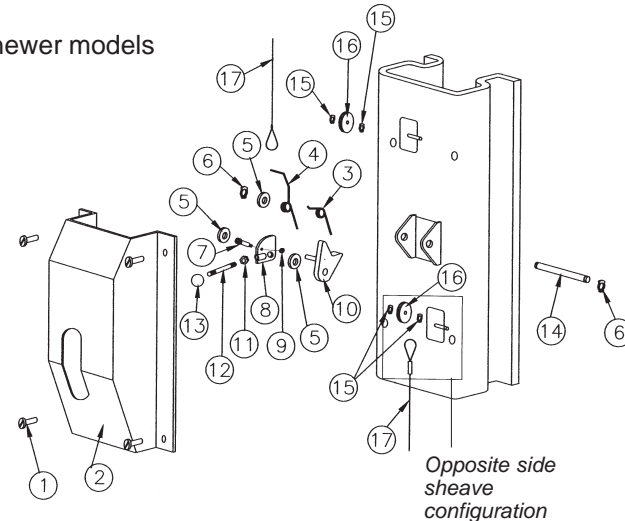
older models



Item	SVI part #	OEM #	Req	Description
1	F-MS-0312-18-0375		4	5/16"-18 x 3/8" Machine Screw
2	BH-7502-51	FJ7452	1	Main Side Cover (slotted)
	BH-7502-50	FJ7451	1	Opposite Side Cover (no slot)
3	BH-7503-10	FJ7382-2	2	Lock Latch Spring
4	BH-7503-16	FJ7382-9	2	Spring
5	BH-7503-14	FJ7382-7	2	Lock Latch Pawl
6	BH-7500-62A	41411	4	Ext. Retaining Ring 5304-75
7	BH-7500-49B	41388	2	3/4" x 1-1/2" Bushing
8	BH-7503-11	FJ7382-3	2	Lock Shaft
9	BH-7503-17	FJ7382-18	1	Lock Release Handle
10	BH-7503-45	FC134-91	1	Red Ball
11	F-JN-0375-16		1	3/8" Jam Nut
12	BH-7503-40	FJ7594-2	1	Control Plate Main Side
	BH-7503-13	FJ7382-5	1	Control Plate Opposite Side
13	BH-7537-59B	41410	2	Ext. Retaining Ring 5304-37
14	BH-7501-26	FJ7322	2	Lock Cable Sheave
15	BH-7501-24	FJ7594-1	1	Locking Latch Release Cable
16	BH-7535-18	FJ7594-3	1	Latch Cable Adjuster

Lock Parts for SPOA7 & SPOA9

newer models



Item	SVI part #	OEM #	Req	Description
1	F-MS-0312-18-0375		4	5/16"-18 x 3/8" Machine Screw
2	BH-7502-51	FJ7452	1	Main Side Cover (slotted)
	BH-7502-50	FJ7451	1	Opposite Side Cover (no slot)
3	BH-7503-16	FJ7382-9	1	Spring
4	BH-7503-31	FJ7566-10	2	Lock Latch Spring
5	BH-7500-49B	41388	8	3/4" x 1-1/2" Bushing
6	BH-7500-62A	41411	4	Ext. Retaining Ring 5304-75
7	F-SB-0250-20-1250		2	1/4"-20 X 1-1/4" Shoulder Bolt
8	BH-7503-40	FJ7594-2	1	Control Plate Main Side
	BH-7503-13	FJ7382-5	1	Control Plate Opposite Side
9	F-LN-0250-20		2	1/4"-20 Lock Nut
10	BH-7503-14	FJ7382-7	2	Lock Pawl
11	F-JN-0375-16			3/8"-16 Jam Nut
12	BH-7503-17	FJ7382-18	1	Lock Release Handle
13	BH-7503-45	FC134-91	1	Red Ball
14	BH-7502-34	FJ7382-34	2	Lock Shaft
15	BH-7537-59B		4	Ext. Retaining Ring 5304-37
16	BH-7501-26	FJ7322		Lock Cable Sheave
17	BH-7501-24	FJ7595-1	1	Locking Latch Release Cable

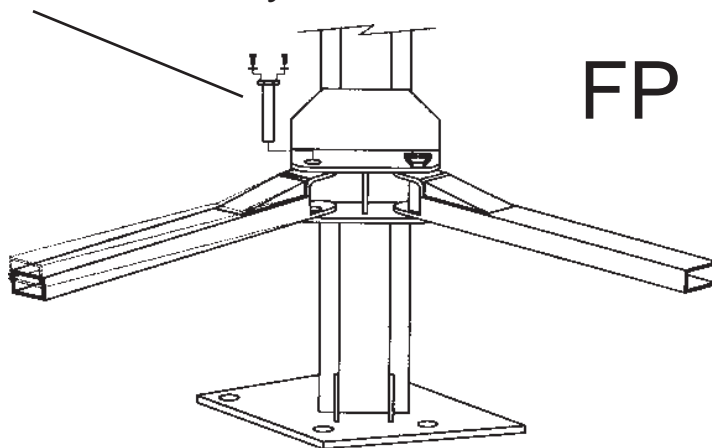
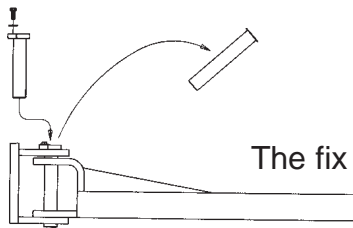


Insist on only SVI "Direct Fit" brand Lift Repair Parts.

entire contents copyright © 2005 SVI International, Inc.

SVI Exclusive solution...

Sag stopping arm pins for Rotary lifts.



SVI is constantly working to solve age and wear related issues on lift models.

One example we have encountered and successfully addressed is arm sag on many two post surface mount lifts. The arm sag problem is commonly found on lifts where the swing arm mounts inside the carriage arm support plates. In this style design, the bottom arm support plate on the carriage acts as a pivot point. Meaning, the top plate experiences inward load pressure resulting in the arm pin wearing and elongating the top hole. This results in unwanted arm sag and concerns most lift owners.

Thanks to SVI "FP" style arm pins with top positioning fixed plate for Rotary lifts, arm sag can be eliminated or reduced.

Installation only requires a level, a drill, drill bits, 3/8"-16 tap, two 3/8"-16 x 1" grade 8 capscrews and two 3/8" lockwashers per arm.

Fasteners included.

Part #	Replace What	For Model	OAL Length
BH-7505-14FP	FJ7838	SP7	8.56"
BH-7505-14FP	FJ7838	SP9	8.56"
BH-7505-14FP	FJ7838	SPO7	8.56"
BH-7502-60FP	FJ7453-4	SPO7	6.00"
BH-7505-14FP	FJ7838	SPO9	8.56"
BH-7502-60FP	FJ7453-4	SPO9	6.00"
BH-7505-15FP	FJ7834	SPOA7	7.50"
BH-7505-14FP	FJ7838	SPOA9	8.56"
BH-7502-02FP	FJ7152	SPOA84	7.30"
BH-7502-02FP	FJ7152	SPOA88	7.30"
BH-7503-36FP	FJ7501	SPOA98	8.44"
BH-7502-12FP			7.00"

Installation is simple:

- 1) Level all four arms so adapter pad contact is equal at all four lifting points and brace in place.
- 2) Insert new "FP" arm pin and push to back (toward carriage) of arm pin hole in the carriage top arm support plate.
- 3) With the pin in position drill and tap the holes right through the bolt holes, using them as your guide.
- 4) Screw in the bolts and tighten, you're finished. Mission accomplished, arm sag neutralized and another happy lift owner thanks to SVI.