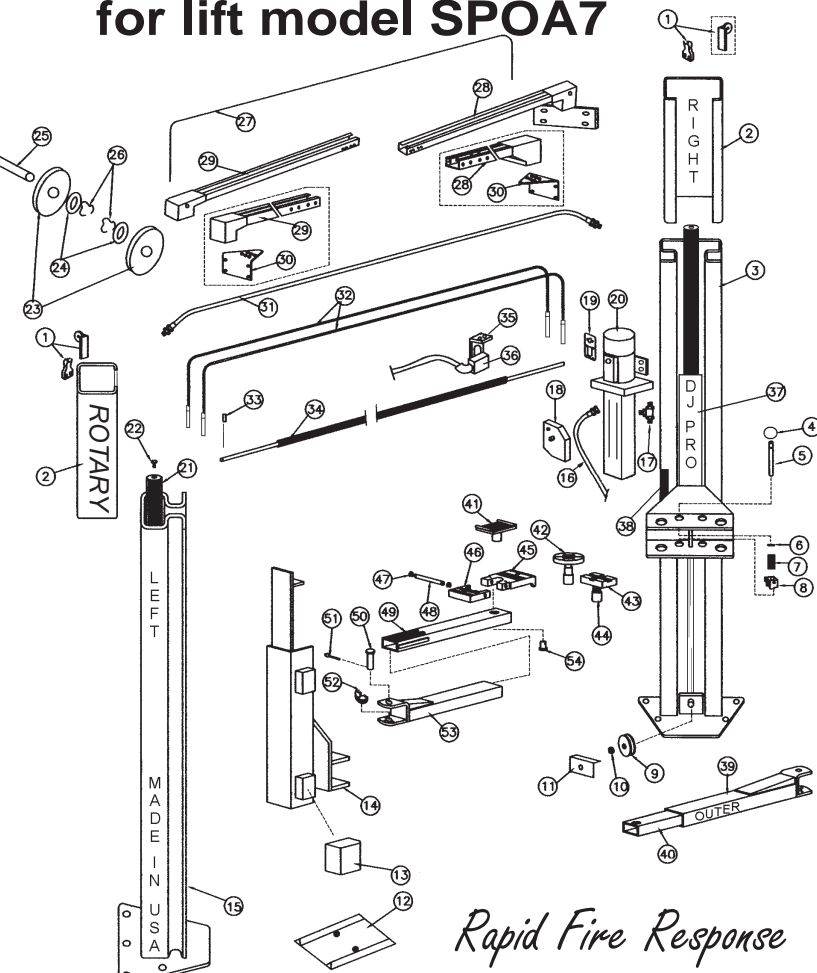


# SVI "Direct Fit" brand Lift Repair Parts for Rotary lifts.

entire contents copyright © 2005 SVI International, Inc.

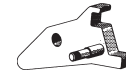
## for lift model SPOA7



*Rapid Fire Response*

This model has enjoyed a long run of popularity and has been revised slightly over the years. Please do not hesitate to call for assistance in identifying the proper parts for the version you are servicing.

Cylinder seal kits for the OE# N342 hydraulic cylinder once used on this model are available as well as all other cylinder seal kits.



For all the carriage lock parts see index for "Two Post Carriage Locks"

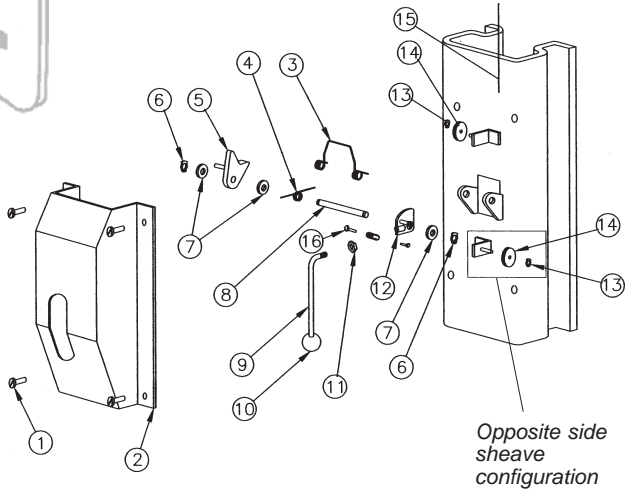
| Item | SVI part#        | OEM#      | Req | Description                           |
|------|------------------|-----------|-----|---------------------------------------|
| 1    | BH-7502-97       | FJ7445-6  | 1   | Left Lock Sheave/Bracket Assy         |
|      | BH-7502-90       | FJ7444-14 | 1   | Right Lock Sheave/Bracket Assy        |
|      | BH-7501-26       | FJ7322    | 2   | Lock Latch Cable Sheave               |
|      | BH-7528-94       | N69       | 2   | Nylon Lock Cable Guide (newer)        |
| 2    | BH-7545-00       | N45       | 2   | Column Extension                      |
| 3    | call for details | N74       | 1   | Right Column                          |
| 4    | BH-7508-20       | FJ7985-1  | 4   | Arm Restraint Release Loop            |
| 5    | BH-7508-18       | FJ7646-1  | 4   | Arm Restraint Pin (SPOA7)             |
|      | BH-7528-07       | N121-1    | 4   | Arm Restraint Pin (SPOA7-100 up)      |
| 6    | BH-7528-06       | N119-3    | 4   | Ext. Retaining Ring                   |
| 7    | BH-7535-58       | FJ7656-2  | 4   | Arm Restraint Spring                  |
| 8    | BH-7508-17       | FJ7749    | 4   | Arm Restraint Engage Gear             |
| 9    | BH-7500-50       |           | 6   | Sheave, steel                         |
|      | BH-7500-50N      | FJ7116-1  | 6   | Sheave, nylon                         |
| 10   | BH-7500-62A      | 41411     |     | Ext. Retaining Ring 5304-75           |
| 11   | BH-7502-33       | N119-1    | 2   | Debri Shield                          |
| 12   | BH-9701          | FF729     | 1   | 15" Wide Reach Wheel Spotter          |
|      | BH-9702          |           | 1   | 15" Wide Reach Dual Spotter           |
| 13   | BH-7510-03       | FJ7360    | 8   | Slider Block (cup style)              |
| 14   | BH-7537-50       | N82       | 1   | Left Carriage                         |
|      | BH-7537-51       | N83       | 1   | Right Carriage                        |
| 15   | call for details | N73       | 1   | Left Column                           |
| 16   | BH-7512-41       | FJ837     | 1   | Power Unit Hose                       |
| 17   | BH-7535-69       | FJ7668    | 1   | Tee                                   |
| 18   | call for details |           | 1   | Adapter Plate (not for SPX)           |
| 19   | call for details |           | 1   | Control Box (specify Ø not SPX)       |
| 20   | call for details |           | 1   | Power Unit (call to discuss versions) |
| 21   | BH-7508-53       | FJ7664    | 1   | Hydraulic Cylinder (older models)     |
|      | BH-7545-15       | N380      | 1   | Hydraulic Cylinder (newer models)     |

| Item | SVI part#        | OEM#          | Req | Description                         |
|------|------------------|---------------|-----|-------------------------------------|
| 22   | call for details |               | 2   | Bleeder Screw                       |
| 23   | BH-7500-50       | SVI Exclusive | 6   | Sheave, steel                       |
|      | BH-7500-50N      | FJ7116-1      | 6   | Sheave, nylon                       |
| 24   | BH-7500-49B      | 41388         | 4   | Spacer 1-1/2" x .045 thick          |
| 25   | BH-7500-68       | FJ7444-8      | 2   | Sheave Shaft                        |
| 26   | BH-7500-62A      | 41411         |     | Ext. Retaining Ring 5304-75         |
| 27   | BH-7501-24       | FJ7595-1      | 1   | Lock Latch Release Cable            |
| 28   | BH-7528-82       | N42-1         | 1   | Right Overhead Crossbeam (older)    |
|      | BH-7545-51       | N438-1        | 1   | Right Overhead Crossbeam (newer)    |
| 29   | BH-7528-77       | N41-1         | 1   | Left Overhead Crossbeam (older)     |
|      | BH-7545-50       | N437-1        | 1   | Left Overhead Crossbeam (newer)     |
| 30   | BH-7545-07       | N439          | 2   | Mounting Bracket (newer models)     |
| 31   | BH-7512-19       | FJ838         | 1   | Overhead Hydraulic Hose             |
|      | BH-7512-21       | FJ840         | 1   | Overhead Hydraulic Hose (EH-1)      |
|      | BH-7512-22       | FJ841         | 1   | Overhead Hydraulic Hose (EH-2)      |
| 32   | BH-7500-22       | FJ7449        | 2   | Equalizer Cable                     |
|      | BH-7534-95       | FJ7545        | 2   | Equalizer Cable (EH-1)              |
|      | BH-7534-96       | FJ7546        | 2   | Equalizer Cable (EH-2)              |
| 33   | BH-7503-29       | FJ7871        |     | Spacer                              |
| 34   | BH-7508-34       | FJ7613-2      | 1   | Overhead Limit Bar                  |
| 35   | BH-7503-08       | FJ7613-1      | 1   | Limit Switch Housing (older models) |
|      | BH-7503-65       | N413          | 1   | Limit Switch Assembly (newer)       |
| 36   | BH-7004-19       | P461-2        | 1   | Microswitch (older models)          |
|      | BH-7538-54       | N413-1        | 1   | Microswitch (newer models)          |
| 37   | BH-7077-02-1     | SVI Exclusive | 2   | doorjammerPRO impact protection     |
| 38   | BH-7077-01       | FJ7391-1      | 2   | doorjammerJR 18" cut-down strip     |
| 39   | BH-7508-45       | FJ7649-1      | 2   | Outer Rear Swing Arm                |
|      | BH-7528-39       | N239-1        | 2   | Outer Rear Swing Arm                |
| 40   | BH-7503-97       | FJ7150-2      | 2   | Inner Rear Swing Arm Kit            |
|      | BH-7528-40       | N239-2        | 2   | Inner Rear Swing Arm only (newer)   |
|      | BH-7545-36       | N2101-1       | 2   | Inner Rear Swing Arm Kit (newer)    |
| 41   | BH-7536-96       | FJ6182        | 4   | Rubber Pad Adapter Base             |
|      | BH-7536-92P      | FJ6158-4      | 4   | Rubber Pad only                     |
| 42   | BH-7536-97       | FJ6185        | 4   | Spin-up Adapter w/Pad               |
| 43   | BH-7508-61       | FJ7735-2      | 4   | Rectangular Molded Pad              |
| 44   | BH-7500-94       | FJ6154        | 4   | Rectangular Pad Adapter             |
| 45   | BH-9755-20       | FJ671-1       | 4   | High Step Ductile Iron Adapter      |
| 46   | BH-9755-21       | FJ671-2       | 4   | Low Step Ductile Iron Adapter       |
| 47   | BH-9755-22       | FJ671-3       | 4   | Adapter Pivot Pin                   |
| 48   | BH-9755-26       | FJ671-6       | 8   | Hog Ring Clip                       |
| 49   | BH-7503-85       | FJ7256-2      | 2   | Inner Front Swing Arm               |
|      | BH-7545-37       | N2100-1       | 2   | Inner Front Swing Arm Kit           |
| 50   | BH-7505-15       | FJ7834        | 4   | Arm Swivel Pin 7" (older version)   |
|      | BH-7505-14       | FJ7838        | 4   | Arm Swivel Pin 8" (newer version)   |
| 51   | F-CP-187-2000    | 41250         | 4   | 3/16" x 2" Cotter Pin               |
| 52   | BH-7508-16A      | SVI Exclusive | 4   | Arm Restraint Gear (adjustable)     |
|      | BH-7508-16       | FJ7750        | 4   | Arm Restraint Gear (not adjustable) |
| 53   | BH-7508-44       | FJ7647-1      | 1   | Front Left Outer Swing Arm          |
|      | BH-7508-46       | FJ7648-1      | 1   | Front Right Outer Swing Arm         |
|      | BH-7528-43       | N240-1        | 2   | Front Outer Swing Arm (newer)       |
| 54   | BH-9755-25L      | FJ79-6        | 4   | Adapter Swivel Pin                  |

All names, numbers, symbols and descriptions are used for reference purposes only. It is not implied that any part listed is the product of these manufacturers; however, some parts may be the actual product of these manufacturers.



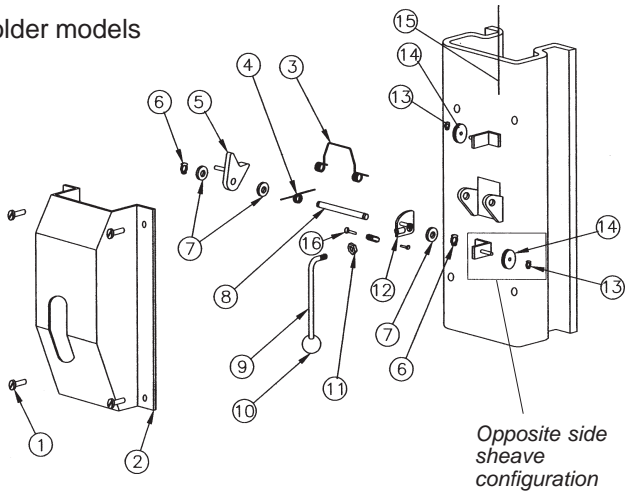
Lock Parts for SPO7 & SPO9



| Item | SVI part #        | OEM #     | Req | Description                    |
|------|-------------------|-----------|-----|--------------------------------|
| 1    | F-MS-0312-18-0375 |           | 4   | 5/16"-18 x 3/8" Machine Screw  |
| 2    | BH-7502-51        | FJ7452    | 1   | Main Side Cover (slotted)      |
|      | BH-7502-50        | FJ7451    | 1   | Opposite Side Cover (no slot)  |
| 3    | BH-7503-10        | FJ7382-2  | 2   | Lock Latch Spring              |
| 4    | BH-7503-16        | FJ7382-9  | 2   | Spring                         |
| 5    | BH-7503-14        | FJ7382-7  | 2   | Lock Latch Pawl                |
| 6    | BH-7500-62A       | 41411     | 4   | Ext. Retaining Ring 5304-75    |
| 7    | BH-7500-49B       | 41388     | 2   | 3/4" x 1-1/2" Bushing          |
| 8    | BH-7503-11        | FJ7382-3  | 2   | Lock Shaft                     |
| 9    | BH-7503-17        | FJ7382-18 | 1   | Lock Release Handle            |
| 10   | BH-7503-45        | FC134-91  | 1   | Red Ball                       |
| 11   | F-JN-0375-16      |           | 1   | 3/8" Jam Nut                   |
| 12   | BH-7503-40        | FJ7594-2  | 1   | Control Plate Main Side        |
|      | BH-7503-13        | FJ7382-5  | 1   | Control Plate Opposite Side    |
| 13   | BH-7537-59B       | 41410     | 2   | Ext. Retaining Ring 5304-37    |
| 14   | BH-7501-26        | FJ7322    | 2   | Lock Cable Sheave              |
| 15   | BH-7501-24        | FJ7594-1  | 1   | Lock Release Cable             |
|      | BH-7535-21        | FJ7600    | 1   | Lock Release Cable (SPO9 EH-4) |
| 16   | BH-7535-18        | FJ7594-3  | 1   | Latch Cable Adjuster           |

Lock Parts for SPOA7 & SPOA9

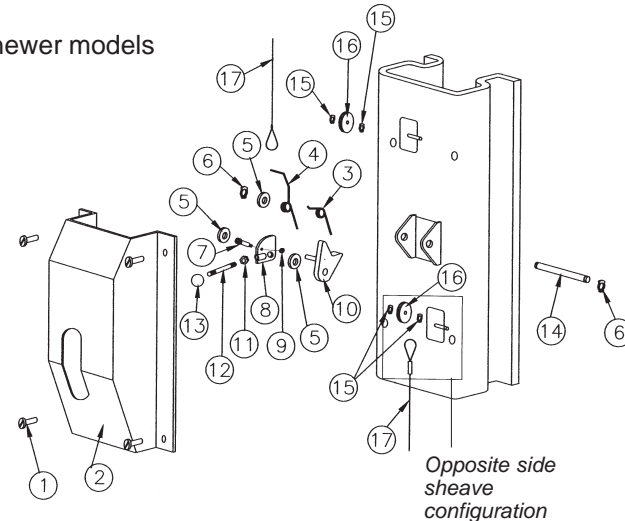
older models



| Item | SVI part #        | OEM #     | Req | Description                   |
|------|-------------------|-----------|-----|-------------------------------|
| 1    | F-MS-0312-18-0375 |           | 4   | 5/16"-18 x 3/8" Machine Screw |
| 2    | BH-7502-51        | FJ7452    | 1   | Main Side Cover (slotted)     |
|      | BH-7502-50        | FJ7451    | 1   | Opposite Side Cover (no slot) |
| 3    | BH-7503-10        | FJ7382-2  | 2   | Lock Latch Spring             |
| 4    | BH-7503-16        | FJ7382-9  | 2   | Spring                        |
| 5    | BH-7503-14        | FJ7382-7  | 2   | Lock Latch Pawl               |
| 6    | BH-7500-62A       | 41411     | 4   | Ext. Retaining Ring 5304-75   |
| 7    | BH-7500-49B       | 41388     | 2   | 3/4" x 1-1/2" Bushing         |
| 8    | BH-7503-11        | FJ7382-3  | 2   | Lock Shaft                    |
| 9    | BH-7503-17        | FJ7382-18 | 1   | Lock Release Handle           |
| 10   | BH-7503-45        | FC134-91  | 1   | Red Ball                      |
| 11   | F-JN-0375-16      |           | 1   | 3/8" Jam Nut                  |
| 12   | BH-7503-40        | FJ7594-2  | 1   | Control Plate Main Side       |
|      | BH-7503-13        | FJ7382-5  | 1   | Control Plate Opposite Side   |
| 13   | BH-7537-59B       | 41410     | 2   | Ext. Retaining Ring 5304-37   |
| 14   | BH-7501-26        | FJ7322    | 2   | Lock Cable Sheave             |
| 15   | BH-7501-24        | FJ7594-1  | 1   | Locking Latch Release Cable   |
| 16   | BH-7535-18        | FJ7594-3  | 1   | Latch Cable Adjuster          |

Lock Parts for SPOA7 & SPOA9

newer models



| Item | SVI part #        | OEM #     | Req | Description                    |
|------|-------------------|-----------|-----|--------------------------------|
| 1    | F-MS-0312-18-0375 |           | 4   | 5/16"-18 x 3/8" Machine Screw  |
| 2    | BH-7502-51        | FJ7452    | 1   | Main Side Cover (slotted)      |
|      | BH-7502-50        | FJ7451    | 1   | Opposite Side Cover (no slot)  |
| 3    | BH-7503-16        | FJ7382-9  | 1   | Spring                         |
| 4    | BH-7503-31        | FJ7566-10 | 2   | Lock Latch Spring              |
| 5    | BH-7500-49B       | 41388     | 8   | 3/4" x 1-1/2" Bushing          |
| 6    | BH-7500-62A       | 41411     | 4   | Ext. Retaining Ring 5304-75    |
| 7    | F-SB-0250-20-1250 |           | 2   | 1/4"-20 X 1-1/4" Shoulder Bolt |
| 8    | BH-7503-40        | FJ7594-2  | 1   | Control Plate Main Side        |
|      | BH-7503-13        | FJ7382-5  | 1   | Control Plate Opposite Side    |
| 9    | F-LN-0250-20      |           | 2   | 1/4"-20 Lock Nut               |
| 10   | BH-7503-14        | FJ7382-7  | 2   | Lock Pawl                      |
| 11   | F-JN-0375-16      |           |     | 3/8"-16 Jam Nut                |
| 12   | BH-7503-17        | FJ7382-18 | 1   | Lock Release Handle            |
| 13   | BH-7503-45        | FC134-91  | 1   | Red Ball                       |
| 14   | BH-7502-34        | FJ7382-34 | 2   | Lock Shaft                     |
| 15   | BH-7537-59B       |           | 4   | Ext. Retaining Ring 5304-37    |
| 16   | BH-7501-26        | FJ7322    |     | Lock Cable Sheave              |
| 17   | BH-7501-24        | FJ7595-1  | 1   | Locking Latch Release Cable    |

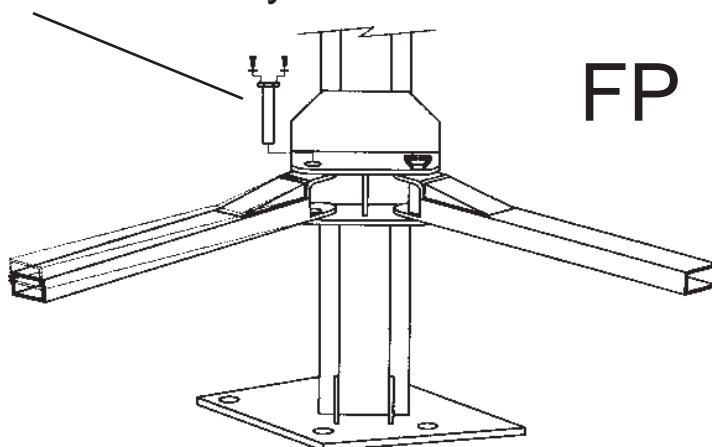
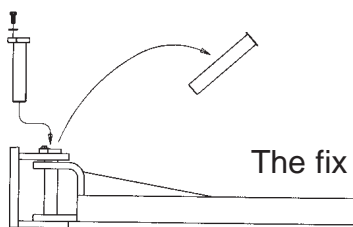


Insist on only SVI "Direct Fit" brand Lift Repair Parts.

entire contents copyright © 2005 SVI International, Inc.

# SVI Exclusive solution...

## Sag stopping arm pins for Rotary lifts.



SVI is constantly working to solve age and wear related issues on lift models.

One example we have encountered and successfully addressed is arm sag on many two post surface mount lifts. The arm sag problem is commonly found on lifts where the swing arm mounts inside the carriage arm support plates. In this style design, the bottom arm support plate on the carriage acts as a pivot point. Meaning, the top plate experiences inward load pressure resulting in the arm pin wearing and elongating the top hole. This results in unwanted arm sag and concerns most lift owners.

Thanks to SVI "FP" style arm pins with top positioning fixed plate for Rotary lifts, arm sag can be eliminated or reduced.

Installation only requires a level, a drill, drill bits, 3/8"-16 tap, two 3/8"-16 x 1" grade 8 capscrews and two 3/8" lockwashers per arm.

Fasteners included.

| Part #       | Replace What | For Model | OAL Length |
|--------------|--------------|-----------|------------|
| BH-7505-14FP | FJ7838       | SP7       | 8.56"      |
| BH-7505-14FP | FJ7838       | SP9       | 8.56"      |
| BH-7505-14FP | FJ7838       | SPO7      | 8.56"      |
| BH-7502-60FP | FJ7453-4     | SPO7      | 6.00"      |
| BH-7505-14FP | FJ7838       | SPO9      | 8.56"      |
| BH-7502-60FP | FJ7453-4     | SPO9      | 6.00"      |
| BH-7505-15FP | FJ7834       | SPOA7     | 7.50"      |
| BH-7505-14FP | FJ7838       | SPOA9     | 8.56"      |
| BH-7502-02FP | FJ7152       | SPOA84    | 7.30"      |
| BH-7502-02FP | FJ7152       | SPOA88    | 7.30"      |
| BH-7503-36FP | FJ7501       | SPOA98    | 8.44"      |
| BH-7502-12FP |              |           | 7.00"      |

### Installation is simple:

- 1) Level all four arms so adapter pad contact is equal at all four lifting points and brace in place.
- 2) Insert new "FP" arm pin and push to back (toward carriage) of arm pin hole in the carriage top arm support plate.
- 3) With the pin in position drill and tap the holes right through the bolt holes, using them as your guide.
- 4) Screw in the bolts and tighten, you're finished. Mission accomplished, arm sag neutralized and another happy lift owner thanks to SVI.