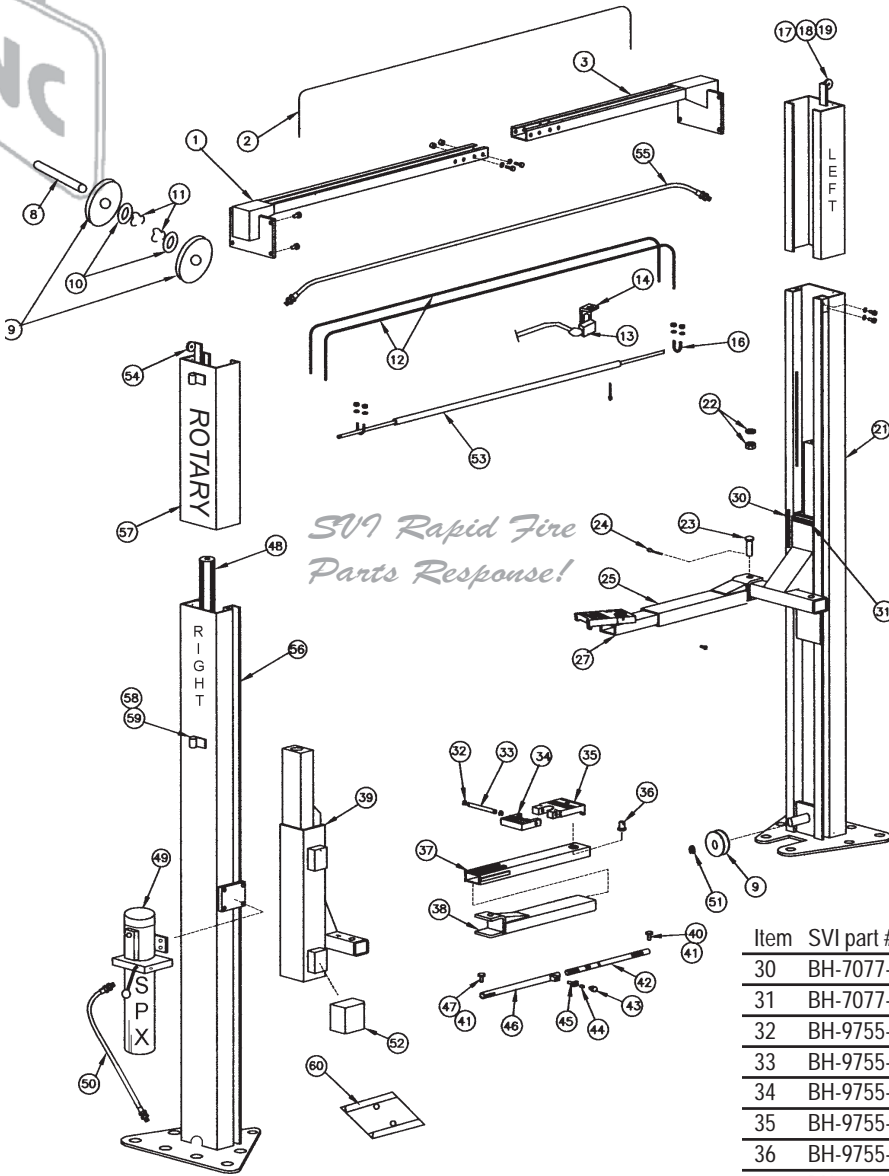


Insist on only SVI "Direct Fit" brand Lift Repair Parts.

entire contents copyright © 2005 SVI International, Inc.

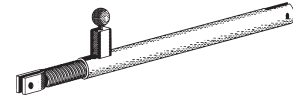
# for lift model SPO88



*SVI Rapid Fire  
Parts Response!*



What better step saving tool is there?



### Arm Restraint Individual Complete Assembly

SVI part #	OEM#	Description
BH-7503-50	FJ7522	Arm Restraint Assy



For all the carriage lock parts see index for "Two Post Carriage Locks"

Call for special length cables for extended height models.

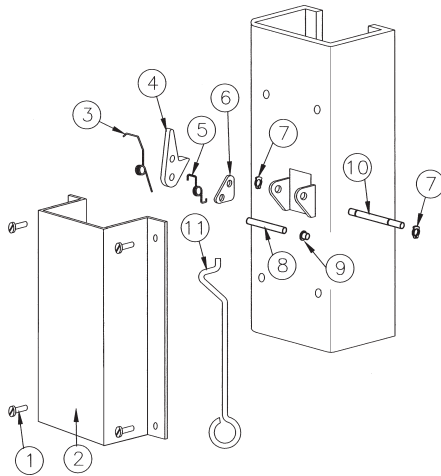
Item	SVI part #	OEM #	Req	Description
1	BH-7500-73	FJ7446	1	Right Overhead Crossbeam
2	BH-7501-24	FJ7594-1	1	Locking Latch Release Cable
3	BH-7500-74	FJ7447	1	Left Overhead Crossbeam
8	BH-7500-68	FJ7444-8	2	Sheave Shaft
9	BH-7500-50		6	Sheave, Steel
	BH-7500-50N	FJ7116-1	6	Sheave, Nylon
10	BH-7500-49B		4	Spacer 1-1/2" x .045
11	BH-7500-62A		6	Ext. Retaining Ring 5304-75
12	BH-7500-23	FJ7450	2	Equalizer Cable
13	BH-7004-36	FJ7448	1	Overhead Limit Switch
14	BH-7503-04B	FJ7448-5	1	Overhead Limit Switch Bracket
16	BH-7506-43	FJ7448-1	2	U-Bolt
17	BH-7502-90	FJ7446-3		LH Lock Sheave Overhead Bracket
18				Ext. Retaining Ring 5304-37
19	BH-7501-26	FJ7322	2	Lock Latch Sheave
21	call for details	FJ7403	1	Left Column
22	F-JN-0500-13		4	1/2"-13 Hex Jam Nut
	F-HN-0500-13		4	1/2"-13 Hex Nut
23	BH-7502-60	FJ7453-4	4	Arm Swivel Pin
24	F-CP-187-2000		4	3/16" x 2" Cotter Pin
25	BH-7502-64A-02	FJ7455-1	2	LR / RF Outer Swing Arm
27	BH-7503-92	FJ7416-2"	4	Inner Arm Kit (includes adapters)

Item	SVI part #	OEM #	Req	Description
30	BH-7077-01	FJ7391-1	2	doorjammerJR 18" cut-down Strip
31	BH-7077-01	FJ7391-2	2	doorjammerJR 6" cut-down Strip
32	BH-9755-26	FJ671-6	8	Hog Ring
33	BH-9755-22	FJ671-3	4	Adapter Swivel Pin
34	BH-9755-21	FJ671-2	4	Low Step Ductile Iron Adapter
35	BH-9755-20	FJ671-1	4	High Step Ductile Iron Adapter
36	BH-9755-22	FJ671-3	4	Adapter Swivel Pin
37	BH-7503-92	FJ7416-2	4	Inner Swing Arm
38	BH-7502-65	FJ7456-1	2	LF / RR Outer Swing Arm
39	BH-7502-62	FJ7454	2	Carriage Weldment
40	BH-7502-03	FJ7233-22	4	Clevis Pin for Inner Bar
41	F-CP-125-0750		8	1/8" x 3/4" Cotter Pin
42	BH-7502-46	FJ7359-1	4	Arm Restraint Inner Bar
43	BH-7503-45	FC134-9-10	4	Red Ball
44	BH-7503-46	FC134-9-7	4	Arm Restraint Spring
45	BH-7503-45	FJ7233-25	4	Arm Restraint Plunger
46	BH-7502-47	FL7359-3	4	Arm Restraint Outer Tube
47	F-CV-375-1250	FJ233-22	4	Clevis Pin for Outer Tube
48	BH-7511-03	FJ7311	2	Hydraulic Cylinder
49	BH-7006-01	P502	1	Power Unit
50	BH-7512-32	FJ818	1	Power Unit Hose
51	BH-7500-62A		6	Ext. Retaining Ring 5304-75
52	BH-7510-03	FJ7360	8	Slider Block (cup style)
53	BH-7503-05	FJ7448-2	1	Overhead Limit Bar Assembly
54	BH-7502-99	FJ7446-5	1	RH Lock Sheave Overhead Bracket
55	BH-7512-09	FJ819	1	Overhead Hydraulic Hose
56	call for details	FJ7402	1	Right Column
57	BH-7506-35	FJ7443	2	Column Extension (standard)
58	BH-7507-40	FJ7206	4	Line Clip
59	F-MS-0010-24-0437		4	10-24 x 7/16" Machine Screw
60	BH-9701	FF729	1	15" Wide Reach Wheel Spotter



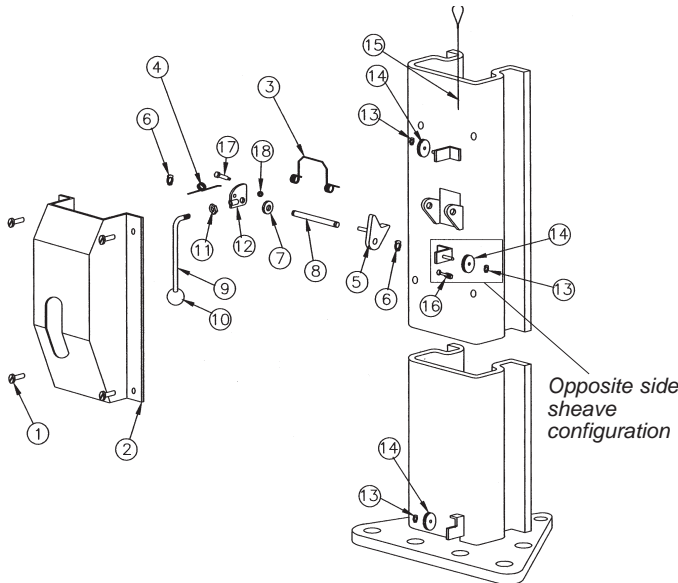
## Lock Parts for SPOA7 / DCOA7

*Rapid Fire Response*



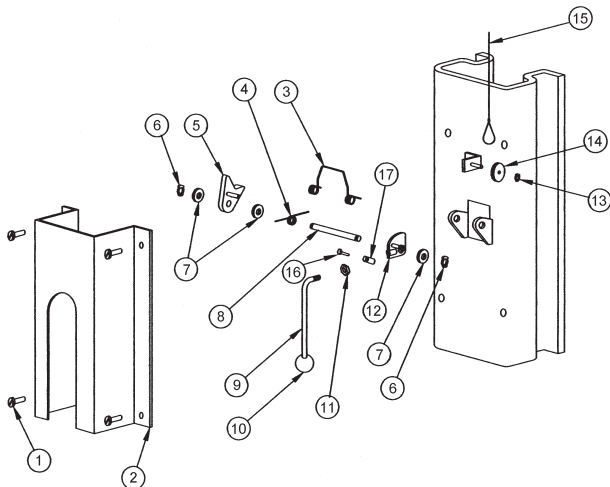
Item	SVI part #	OEM #	Req	Description
1	F-MS-0312-18-0375		8	5/16"-18 x 3/8" Machine Screw
2	BH-7502-50	FJ7451	1	Cover
3	BH-7503-31	FJ7566-10	2	Lock Latch Spring
4	BH-7503-15	FJ7382-8	2	Lock Latch Pawl
5	BH-7503-35	FJ7566-18	2	Spring
6	BH-7503-33	FJ7566-12	2	Plate
7	BH-7500-62A	41411	4	Ext. Retaining Ring 5304-75
8	BH-7503-32	FJ7566-11	2	Pivot Pin
9	BH-7503-34	FJ7566-16	2	Push Nut
10	BH-7503-30	FJ7566-9	2	Latch Shaft
11	BH-7535-07	FJ7566-15	2	Lock Release Handle

## Lock Parts for SP7 & SP9



Item	SVI part #	OEM #	Req	Description
1	F-MS-0312-18-0375		4	5/16"-18 x 3/8" Machine Screw
2	BH-7502-51	FJ7452	1	Main Side Cover (slotted)
	BH-7502-50	FJ7451	1	Opposite Side Cover (no slot)
3	BH-7503-10	FJ7382-2	2	Lock Latch Spring
4	BH-7503-16	FJ7382-9	2	Spring
5	BH-7503-14	FJ7382-7	2	Lock Latch Pawl
6	BH-7500-62A	41411	4	Ext. Retaining Ring 5304-75
7	BH-7500-49B	41388	2	3/4" x 1-1/2" Bushing
8	BH-7503-11	FJ7382-3	2	Lock Shaft
9	BH-7503-17	FJ7382-18	1	Lock Release Handle
10	BH-7503-45	FC134-91	1	Red Ball
11	F-JN-0375-16		1	3/8" Jam Nut
12	BH-7503-40	FJ7594-2	1	Control Plate Main Side
	BH-7503-13	FJ7382-5	1	Control Plate Opposite Side
13	BH-7537-59B	41410	2	Ext. Retaining Ring 5304-37
14	BH-7501-26	FJ7322	2	Lock Cable Sheave
15	BH-7501-24	FJ7594-1	1	Locking Latch Release Cable
16	BH-7535-18	FJ7594-3	1	Latch Cable Adjuster
17	F-SB-0250-20-1000		2	1/4"-20 x 1" Shoulder Bolt
18	F-LN-0250-20		2	1/4"-20 Lock Nut

## Lock Parts for SP88 & SPO88



Item	SVI part #	OEM #	Req	Description
1	F-MS-0312-18-0375		5/16"-18 x 3/8"	Machine Screw
2	BH-7502-51	FJ7452	1	Main Side Cover (slotted)
	BH-7502-50	FJ7451	1	Opposite Side Cover (no slot)
3	BH-7503-10	FJ7382-2	2	Lock Spring
4	BH-7503-16	FJ7382-9	2	Spring
5	BH-7503-14	FJ7382-7	2	Lock Latch Pawl
6	BH-7500-62A			Ext. Retaining Ring 5304-75
7	BH-7500-49B	41388	2	3/4" x 1-1/2" Bushing
8	BH-7503-11	FJ7382-3	2	Lock Shaft
9	BH-7503-17	FJ7382-18	1	Lock Release Handle
10	BH-7503-45	FC134-9-10	1	Red Ball
11	F-JN-0375-16			3/8" Jam Nut
12	BH-7503-40	FJ7594-2	2	Control Plate
13	BH-7535-59B	41410		Ext. Retaining Ring 5304-37
14	BH-7501-26	FJ7322	2	Lock Cable Sheave
15	BH-7501-24	FJ7594-1	1	Locking Latch Release Cable
16	F-HC-0250-20-0500		2	1/4"-20 X 1/2" Hex Capscrew
17	BH-7535-18	FJ7594-3	2	Cable Adjuster