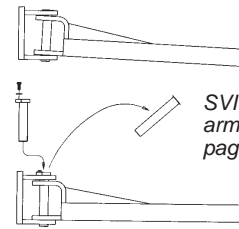
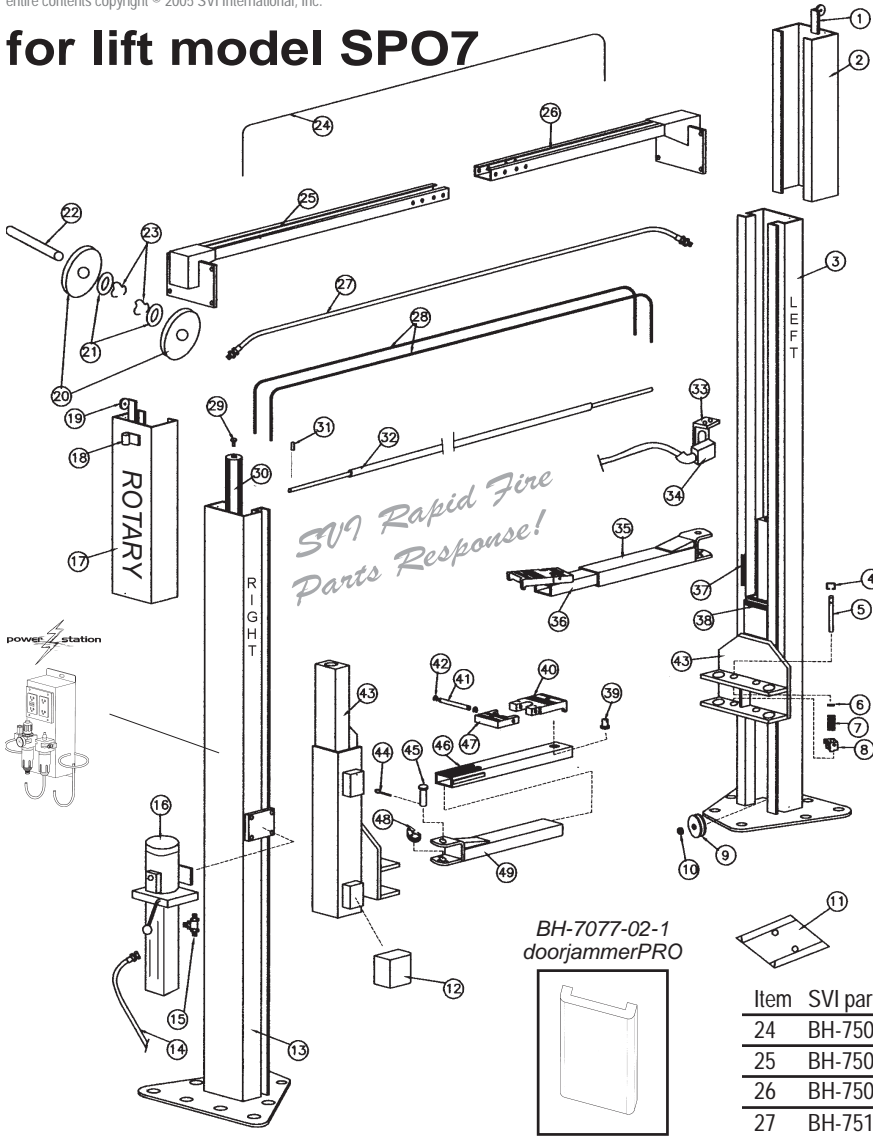


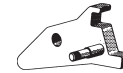
SVI "Direct Fit" brand Lift Repair Parts for Rotary lifts.

entire contents copyright © 2005 SVI International, Inc.

for lift model SPO7



SVI Exclusive sag stopping arm pins for Rotary lifts. See page XX for more details.



For all the carriage lock parts see index for "Two Post Carriage Locks"

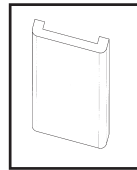


SVI Exclusive adjustable arm restraint main gear.

SVI has two styles, one that is an exact replacement part, the other has elongated mounting holes that allow for precise adjustment of the main gear. Why? As the lift begins to wear over time, the swing arms begin to slightly sag from normal wear. This condition causes the main gear to be forced forward into the engaging gear. As the fit tightens, additional interference may result in increased wear on both gears and possibly impaired function.

Specify the BH-7508-16A to achieve precise mating between the main gear and the engaging gear. SVI is your answer!

BH-7077-02-1 doorjammerPRO

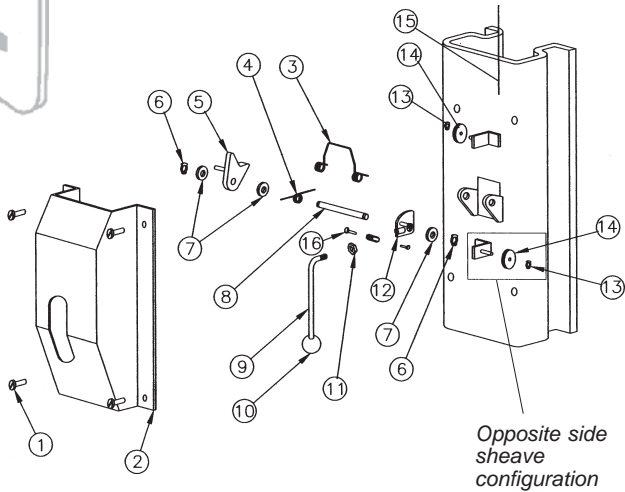


Item	SVI part#	OEM#	Req	Description
1	BH-7502-90	FJ7446-3	1	Left Lock Sheave/Bracket Assy
2	BH-7535-59	FJ7657	1	Column Extension
3	call for details	FJ7760	1	Left Column
4	BH-7508-20	FJ7985-1	4	Arm Restraint Release Loop
5	BH-7508-18	FJ7646-1	4	Arm Restraint Pin
6	BH-7535-47	FJ7646-2	4	Ext. Retaining Ring
7	BH-7508-19	FJ7813-10	4	Arm Restraint Spring
8	BH-7508-17	FJ7749	4	Arm Restraint Engage Gear
9	BH-7500-50		6	Sheave, steel
	BH-7500-50N	FJ7116-1	6	Sheave, nylon
10	BH-7500-62A			Ext. Retaining Ring 5304-75
11	BH-9701	FF729	1	15" Wide Reach Wheel Spotter
	BH-9702		1	15" Wide Reach Dual Spotter
12	BH-7510-03	FJ7360	8	Slider Block (cup style)
13	call for details	FJ7761	1	Right Column
14	BH-7512-41	FJ837	1	Power Unit Hose
15	BH-7535-69	FJ7668	1	Tee
16	BH-7006-01		1	Power Unit
17	BH-7535-59	FJ7657	1	Column Extension
18	BH-7507-40	FJ7206		Holder
19	BH-7502-99	FJ7446-5	1	Right Lock Sheave/Bracket Assy
20	BH-7500-50		6	Sheave, steel
21	BH-7500-49B	41388	4	Spacer 1-1/2" x .045 thick
22	BH-7500-68	FJ7444-8	2	Sheave Shaft
23	BH-7500-62A	41411		Ext. Retaining Ring 5304-75

Item	SVI part#	OEM#	Req	Description
24	BH-7501-25	FJ7594-1	1	Lock Latch Release Cable
25	BH-7500-73	FJ7446	1	Right Overhead Crossbeam Assy
26	BH-7500-74	FJ7447	1	Left Overhead Crossbeam Assy
27	BH-7512-19	FJ838	1	Overhead Hydraulic Hose
28	BH-7500-23	FJ7450	2	Equalizer Cable (SPO7)
	BH-7534-97	FJ7547	2	Equalizer Cable (SPO7 EH1)
	BH-7500-28	FJ7528	2	Equalizer Cable (SPO7 EH2)
29	call for details		2	Bleeder Massey Ferguson Cyl.
30	BH-7506-13	FJ7352-1	2	Hydraulic Cylinder
31	call for details			Spacer
32	BH-7508-34	FJ7613-2	1	Overhead Limit Bar
33	BH-7503-08	FJ7613-1	1	Limit Switch Housing
34	BH-7004-19	P461-2	1	Microswitch
35	BH-7536-04	FJ7763-1	4	Outer Swing Arm
36	BH-7503-92	FJ7416-2	4	Inner Swing Arm
37	BH-7077-01	FJ7391-1	2	doorjammerJR 18" cut-down strip
38	BH-7077-01	FJ7391-2	2	doorjammerJR 6" cut-down strip
39	BH-9755-25L	FJ79-6	4	Adapter Swivel Pin
40	BH-9755-20	FJ671-1	4	High Step Ductile Iron Adapter
41	BH-9755-22	FJ671-3	4	Adapter Pivot Pin
42	BH-9755-26	FJ671-6	8	Hog Ring Clip
43	BH-7536-03	FJ7762	2	Carriage
44	F-CP-187-2000	41250	4	3/16" x 2" Cotter Pin
45	BH-7505-14	FJ7838	4	Arm Swivel Pin
	BH-7505-14FP	SVI Exclusive	4	Arm Swivel Pin (fixes arm sag)
46	BH-7503-92	FJ7416-2	4	Inner Swing Arm
47	BH-9755-21	FJ671-2	4	Low Step Ductile Iron Adapter
48	BH-7508-16A	SVI Exclusive	4	Arm Restraint Gear (adjustable)
	BH-7508-16	FJ7750	4	Arm Restraint Gear (not adjustable)
49	BH-7536-04	FJ7763-1	4	Outer Swing Arm

All names, numbers, symbols and descriptions are used for reference purposes only. It is not implied that any part listed is the product of these manufacturers; however, some parts may be the actual product of these manufacturers.

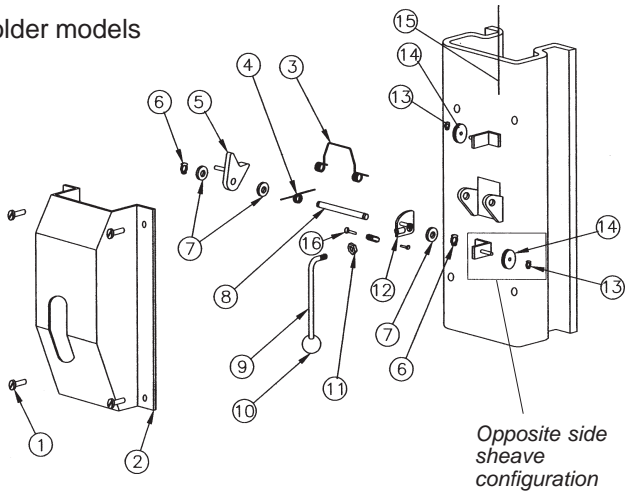
Lock Parts for SPO7 & SPO9



Item	SVI part #	OEM #	Req	Description
1	F-MS-0312-18-0375		4	5/16"-18 x 3/8" Machine Screw
2	BH-7502-51	FJ7452	1	Main Side Cover (slotted)
	BH-7502-50	FJ7451	1	Opposite Side Cover (no slot)
3	BH-7503-10	FJ7382-2	2	Lock Latch Spring
4	BH-7503-16	FJ7382-9	2	Spring
5	BH-7503-14	FJ7382-7	2	Lock Latch Pawl
6	BH-7500-62A	41411	4	Ext. Retaining Ring 5304-75
7	BH-7500-49B	41388	2	3/4" x 1-1/2" Bushing
8	BH-7503-11	FJ7382-3	2	Lock Shaft
9	BH-7503-17	FJ7382-18	1	Lock Release Handle
10	BH-7503-45	FC134-91	1	Red Ball
11	F-JN-0375-16		1	3/8" Jam Nut
12	BH-7503-40	FJ7594-2	1	Control Plate Main Side
	BH-7503-13	FJ7382-5	1	Control Plate Opposite Side
13	BH-7537-59B	41410	2	Ext. Retaining Ring 5304-37
14	BH-7501-26	FJ7322	2	Lock Cable Sheave
15	BH-7501-24	FJ7594-1	1	Lock Release Cable
	BH-7535-21	FJ7600	1	Lock Release Cable (SPO9 EH-4)
16	BH-7535-18	FJ7594-3	1	Latch Cable Adjuster

Lock Parts for SPOA7 & SPOA9

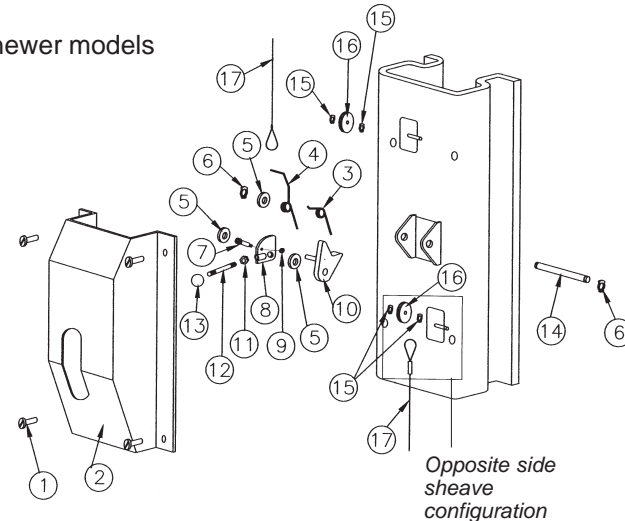
older models



Item	SVI part #	OEM #	Req	Description
1	F-MS-0312-18-0375		4	5/16"-18 x 3/8" Machine Screw
2	BH-7502-51	FJ7452	1	Main Side Cover (slotted)
	BH-7502-50	FJ7451	1	Opposite Side Cover (no slot)
3	BH-7503-10	FJ7382-2	2	Lock Latch Spring
4	BH-7503-16	FJ7382-9	2	Spring
5	BH-7503-14	FJ7382-7	2	Lock Latch Pawl
6	BH-7500-62A	41411	4	Ext. Retaining Ring 5304-75
7	BH-7500-49B	41388	2	3/4" x 1-1/2" Bushing
8	BH-7503-11	FJ7382-3	2	Lock Shaft
9	BH-7503-17	FJ7382-18	1	Lock Release Handle
10	BH-7503-45	FC134-91	1	Red Ball
11	F-JN-0375-16		1	3/8" Jam Nut
12	BH-7503-40	FJ7594-2	1	Control Plate Main Side
	BH-7503-13	FJ7382-5	1	Control Plate Opposite Side
13	BH-7537-59B	41410	2	Ext. Retaining Ring 5304-37
14	BH-7501-26	FJ7322	2	Lock Cable Sheave
15	BH-7501-24	FJ7594-1	1	Locking Latch Release Cable
16	BH-7535-18	FJ7594-3	1	Latch Cable Adjuster

Lock Parts for SPOA7 & SPOA9

newer models



Item	SVI part #	OEM #	Req	Description
1	F-MS-0312-18-0375		4	5/16"-18 x 3/8" Machine Screw
2	BH-7502-51	FJ7452	1	Main Side Cover (slotted)
	BH-7502-50	FJ7451	1	Opposite Side Cover (no slot)
3	BH-7503-16	FJ7382-9	1	Spring
4	BH-7503-31	FJ7566-10	2	Lock Latch Spring
5	BH-7500-49B	41388	8	3/4" x 1-1/2" Bushing
6	BH-7500-62A	41411	4	Ext. Retaining Ring 5304-75
7	F-SB-0250-20-1250		2	1/4"-20 X 1-1/4" Shoulder Bolt
8	BH-7503-40	FJ7594-2	1	Control Plate Main Side
	BH-7503-13	FJ7382-5	1	Control Plate Opposite Side
9	F-LN-0250-20		2	1/4"-20 Lock Nut
10	BH-7503-14	FJ7382-7	2	Lock Pawl
11	F-JN-0375-16			3/8"-16 Jam Nut
12	BH-7503-17	FJ7382-18	1	Lock Release Handle
13	BH-7503-45	FC134-91	1	Red Ball
14	BH-7502-34	FJ7382-34	2	Lock Shaft
15	BH-7537-59B		4	Ext. Retaining Ring 5304-37
16	BH-7501-26	FJ7322		Lock Cable Sheave
17	BH-7501-24	FJ7595-1	1	Locking Latch Release Cable

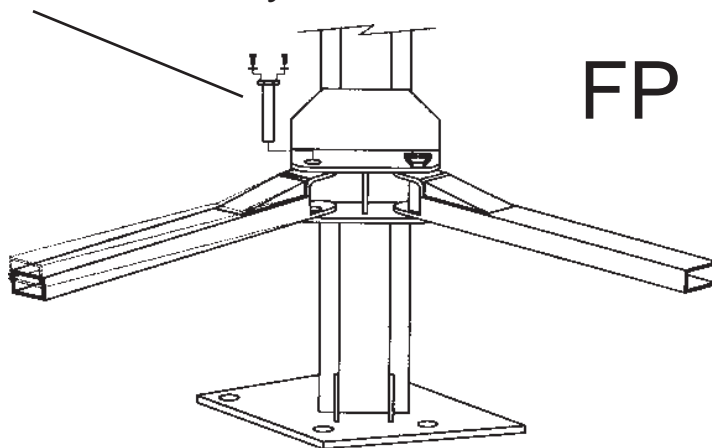
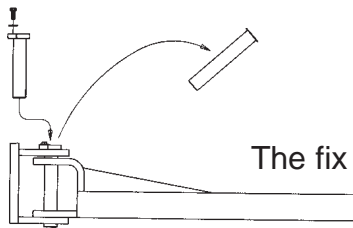


Insist on only SVI "Direct Fit" brand Lift Repair Parts.

entire contents copyright © 2005 SVI International, Inc.

SVI Exclusive solution...

Sag stopping arm pins for Rotary lifts.



SVI is constantly working to solve age and wear related issues on lift models.

One example we have encountered and successfully addressed is arm sag on many two post surface mount lifts. The arm sag problem is commonly found on lifts where the swing arm mounts inside the carriage arm support plates. In this style design, the bottom arm support plate on the carriage acts as a pivot point. Meaning, the top plate experiences inward load pressure resulting in the arm pin wearing and elongating the top hole. This results in unwanted arm sag and concerns most lift owners.

Thanks to SVI "FP" style arm pins with top positioning fixed plate for Rotary lifts, arm sag can be eliminated or reduced.

Installation only requires a level, a drill, drill bits, 3/8"-16 tap, two 3/8"-16 x 1" grade 8 capscrews and two 3/8" lockwashers per arm.

Fasteners included.

Part #	Replace What	For Model	OAL Length
BH-7505-14FP	FJ7838	SP7	8.56"
BH-7505-14FP	FJ7838	SP9	8.56"
BH-7505-14FP	FJ7838	SPO7	8.56"
BH-7502-60FP	FJ7453-4	SPO7	6.00"
BH-7505-14FP	FJ7838	SPO9	8.56"
BH-7502-60FP	FJ7453-4	SPO9	6.00"
BH-7505-15FP	FJ7834	SPOA7	7.50"
BH-7505-14FP	FJ7838	SPOA9	8.56"
BH-7502-02FP	FJ7152	SPOA84	7.30"
BH-7502-02FP	FJ7152	SPOA88	7.30"
BH-7503-36FP	FJ7501	SPOA98	8.44"
BH-7502-12FP			7.00"

Installation is simple:

- 1) Level all four arms so adapter pad contact is equal at all four lifting points and brace in place.
- 2) Insert new "FP" arm pin and push to back (toward carriage) of arm pin hole in the carriage top arm support plate.
- 3) With the pin in position drill and tap the holes right through the bolt holes, using them as your guide.
- 4) Screw in the bolts and tighten, you're finished. Mission accomplished, arm sag neutralized and another happy lift owner thanks to SVI.