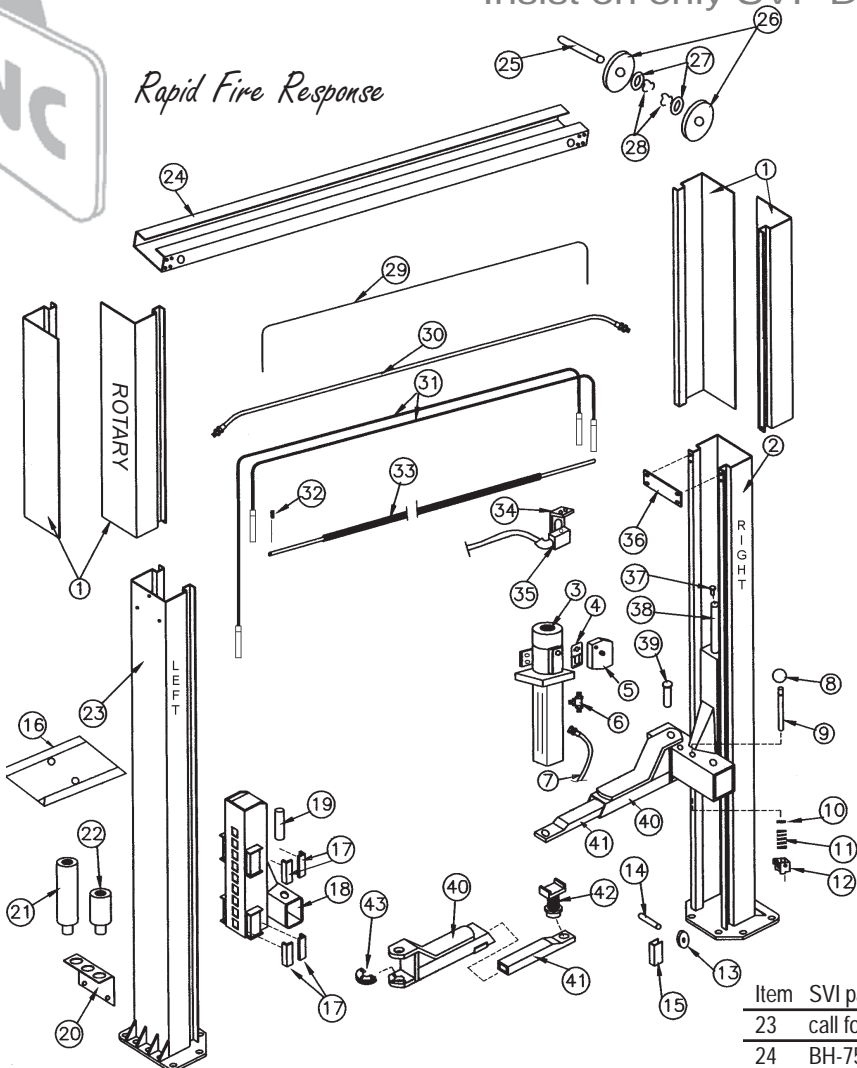




Insist on only SVI "Direct Fit" brand Lift Repair Parts.

entire contents copyright © 2005 SVI International, Inc.

Rapid Fire Response



# for lift models SPO15 SPO18



SVI Exclusive adjustable arm restraint main gear.

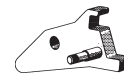
SVI has two styles, one that is an exact replacement part, the other has elongated mounting holes that allow for precise adjustment of the main gear. Why? As the lift begins to wear over time, the swing arms begin to slightly sag from normal wear. This condition causes the main gear to be forced forward into the engaging gear. As the fit tightens, additional interference may result in increased wear on both gears and possibly impaired function.

Specify the BH-7535-60A to achieve precise mating between the main gear and the engaging gear. SVI is your answer!



BH-7070

What better step saving tool is there?



For all the carriage lock parts see index for "Two Post Carriage Locks"

Item	SVI part#	OEM#	Req	Description
1	BH-7536-47	FJ7818	2	Right Column Extension
	BH-7536-46	FJ7817	2	Left Column Extension
2	call for details	N734	1	Right Column
3	call for details	P706/P606	1	Power Unit
4	BH-7543-69	FA7132-2	1	Adaptor Plate
5	BH-7543-70	FA7162	1	Control 208V 3Ø
	BH-7543-71	FA7163	1	Control 230V 3Ø
6	BH-7535-69	FJ7668	1	Tee
7	BH-7536-58	FJ7828	1	Power Unit Hose
8	BH-7508-20	FJ7985-1	4	Arm Restraint Release Loop
9	BH-7528-08	N167-2	4	Arm Restraint Pin
10	BH-7537-59	41412	4	Ext. Retaining Ring 5304-100
11	BH-7508-19	FJ7813-10	4	Arm Restraint Spring
12	BH-7508-17	FJ7749	4	Arm Restraint Engage Gear
13	BH-7545-60	FJ7823-3	6	Sheave
14	BH-7536-39	FJ7813-3	2	Sheave Shaft
15	BH-7536-42	FJ7813-8	2	Debri Shield
16	BH-9701	FF729	1	15" Wide Reach Wheel Spotter
	BH-9702		1	15" Wide Reach Dual Spotter
17	BH-7504-55	FJ7813-1	16	Slider Block
18	BH-7536-49	FJ7821	2	Carriage (SPO15)
	BH-7536-49E	N817	2	Carriage (SPO18)
19	BH-7503-12	FJ7833	2	Cable Spacer
20	BH-7536-52	FJ7822-3	2	Height Extension Holder
21	BH-7536-54	FJ7822-5	10"	Nesting Height Extension
22	BH-7536-53	FJ7822-4	5"	Nesting Height Extension
	BH-7536-55	FJ7822-6	7-1/2"	Nesting Height Extension

Item	SVI part#	OEM#	Req	Description
23	call for details	FJ7815	1	Left Column
24	BH-7545-56	FJ7823-1	1	Overhead Channel
25	BH-7545-61	FJ7823-2	2	Sheave Shaft
26	BH-7545-60	FJ7823-3	6	Sheave
27	BH-7536-57	FJ7823-4	4	Plastic Spacer
28	BH-7537-59	41412	4	Ext. Retaining Ring 5304-100
29	BH-7507-01	FA2230-2	1	Lock Release Air Line
30	BH-7536-59	FJ7829	1	Overhead Hose
31	BH-7500-32	FJ7827-1	2	Equalizer Cable
	BH-7500-31	FJ7826-1	2	Equalizer Cable (low ceiling models)
32	BH-7503-29	FJ7871	1	Spacer
33	BH-7545-55	FJ7825	1	Overhead Limit Bar
34	BH-7503-65	N413	1	Overhead Switch Assembly -250V
	BH-7538-55	N414	1	Overhead Switch Assembly +250V
35	BH-7503-65S	N413-1	1	Overhead Switch -250V
	BH-7537-21A	FJ7979-1	1	Overhead Switch +250V
36	BH-7545-53	FJ7824	2	Stiffener Plate
37	call for details			Bleeder Screw
38	BH-7535-26	FJ7604	2	Hydraulic Cylinder
	BH-7535-24	FJ7604-12HP		Cylinder Seal Kit (Pacoma)
	BH-7535-25	FJ7604-12TH		Cylinder Seal Kit (Texas Hyd)
39	BH-7536-61	FJ7832	4	Arm Swivel Pin
40	BH-7545-46	FJ7820-1	1	Outer Right Front Swing Arm
	BH-7545-47	FJ7819-1	1	Outer Left Front Swing Arm
	BH-7545-46	FJ7820-1	1	Outer Left Rear Swing Arm
	BH-7545-47	FJ7819-1	1	Outer Right Rear Swing Arm
41	BH-7536-48	FJ7819-2	4	Inner Swing Arm (SPO15)
	BH-7545-48	N258-1	4	Inner Swing Arm (SPO18)
42	BH-7536-50	FJ7822-1	4	Swing Arm Adapter Assembly
43	BH-7536-60	FJ7831	4	Arm Restraint Gear (not adjustable)
	BH-7536-60A	SVI Exclusive	4	Arm Restraint Gear (adjustable)

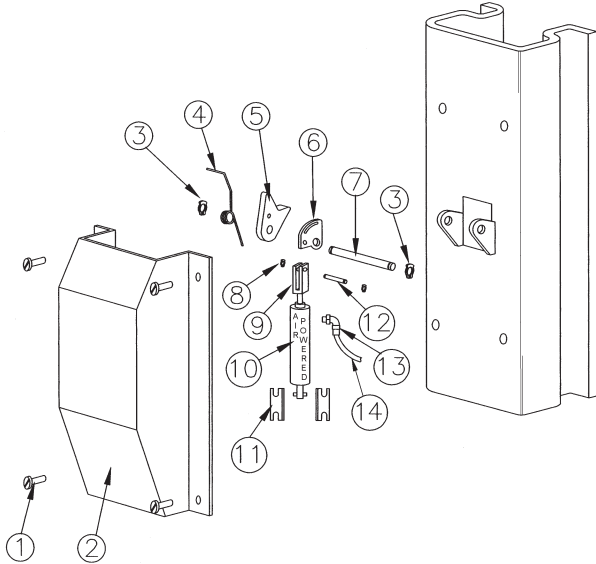
All names, numbers, symbols and descriptions are used for reference purposes only. It is not implied that any part listed is the product of these manufacturers; however, some parts may be the actual product of these manufacturers.

# SVI "Direct Fit" brand Lift Repair Parts for Rotary lifts.

entire contents copyright © 2005 SVI International, Inc.

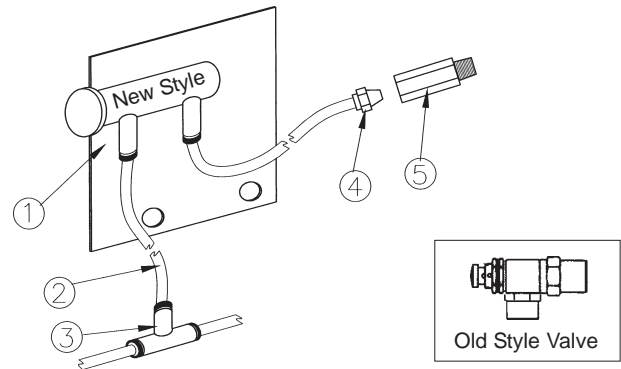


## Lock Parts for SPO15 & SPO18



Item	SVI part #	OEM #	Req	Description
1	F-MS-0312-18-0375		4	5/16"-18 x 3/8" Machine Screw
2	BH-7502-50	FJ7451	2	Cover (no slot)
3	BH-7537-59A	41417	4	Ext. Retaining Ring 5304-125
4	BH-7512-54	FJ7813-5	2	Spring
5	BH-7536-24	FJ7813-14	2	Lock Pawl
6	BH-7536-40	FJ7813-6	2	Control Plate
7	BH-7536-41	FJ7813-7	2	Lock Pawl Shaft
8	BH-7519-06	11263	2	Air Cylinder Rod Clevis Set
9	BH-7519-06	11263	2	Air Cylinder Rod Clevis Set
10	BH-7528-92	N61	2	Air Cylinder
11	BH-7519-09	11265	2	Pivot Bracket Set
12	BH-7519-06	11263	2	Air Cylinder Rod Clevis Set
13	BH-7514-13	FA3134-6	2	Elbow 1/4" Air Line to 1/8" NPT
14	BH-7507-01	FA2230-2	1	1/4" x 50' Air Line

Item	SVI part #	OEM #	Req	Description
1	BH-7528-95	N612	1	Air Valve and Bracket (new style)
	BH-7503-60	FA3134	1	Air Valve and Bracket (old style)
	BH-7514-20	FA3203	1	Air Valve only (old style)
	BH-7515-07	FA2273-7	1	Air Valve Bracket only (old style)
2	BH-7507-01	FA2230-2	1	1/4" x 50' Air Line
3	BH-7526-88	FC5225-46	2	Tee 1/4" Air Line
4	BH-7526-18	FC5191-6	2	Connector 1/4" Air Line
5	BH-7514-09	FA3134-12	1	Air Line Filter



All names, numbers, symbols and descriptions are used for reference purposes only. It is not implied that any part listed is the product of these manufacturers; however, some parts may be the actual product of these manufacturers.