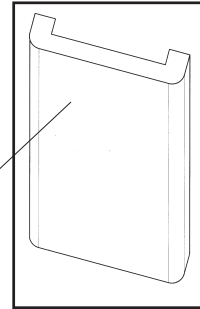




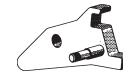
# for model SPO12

## BH-7077-02-1 doorjammerPRO

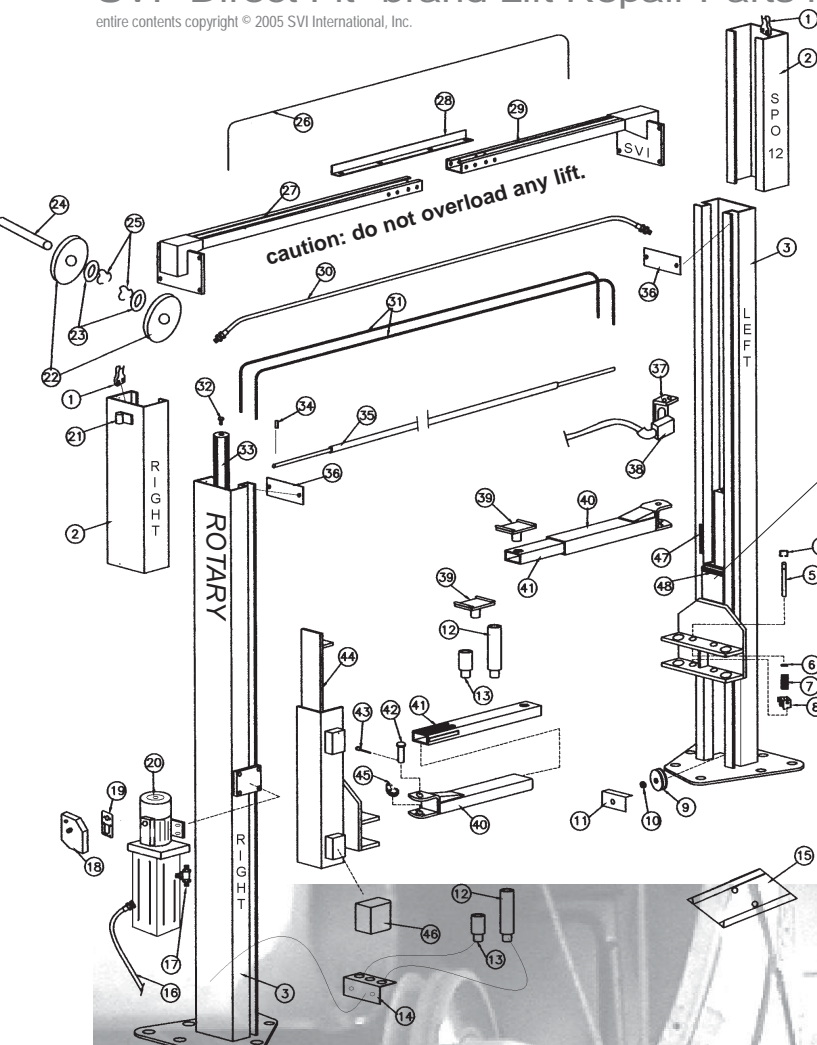


For better all around vehicle protection nothing beats a doorjammerPRO. Install them today and put an end to the denting and dinging done to your customer's doors. Makes the service tech more efficient because it is easier to get in and out of vehicles. Don't be held accountable for dents and dings.

**Nothing works better!  
An SVI exclusive product.**



For all the carriage lock parts see index for "Two Post Carriage Locks"

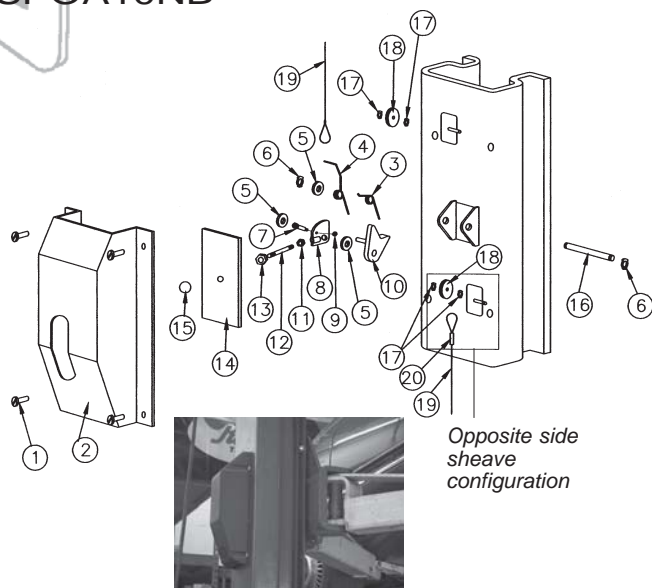


Item	SVI part#	OEM#	Req	Description
1	BH-7528-94	N69	2	Lock Release Cable Guide
2	call for details	N419	2	Column Extension
	call for details	N420	2	Column Extension (EH-1)
	call for details	N421	2	Column Extension (EH-2)
3	call for details	N724	1	Left Column
4	BH-7508-20	FJ7985-1	4	Arm Restraint Release Loop
5	BH-7528-07	N121-1	4	Arm Restraint Pin
6	BH-7528-06	N119-3	4	Retainer
7	BH-7535-58	FJ7656-2	4	Arm Restraint Spring
8	BH-7545-17	N2121	4	Arm Restraint Engage Gear
9	BH-7528-85	N417-1	6	Sheave
10	BH-7200-62A	41411	6	Ext. Retaining Ring 5304-75
11	BH-7502-33	N119-1	2	Cover FJ7382-16
12	BH-7533-97	FJ6144	4	8" Nesting Style Extension
13	BH-7533-96	FJ6143	4	4" Nesting Style Extension
	BH-7533-98	FJ6146	4	3-1/2" Nesting Style Extension
	BH-7533-98S	FJ6180	4	2-1/2" Nesting Style Extension
	BH-7533-99	FJ6147	4	5" Nesting Style Extension
14	BH-7500-95	FJ6145	2	Extension Holder
15	BH-9701	FF729	1	15" Wide Reach Wheel Spotter
	BH-9702	SVI Exclusive	1	15" Wide Reach Dual Spotter
16	BH-7519-27	N348	1	Power Unit Hose
17	BH-7535-69	FJ7668	1	Tee
18	BH-7543-70	FA7162	1	3Ø 208V/60Hz. Control Panel
	BH-7543-71	FA7163	1	3Ø 230V/60Hz. Control Panel
19	BH-7543-69	FA7132-2	1	Control Box Adapter
20	BH-7520-09	P1391	1	1Ø Power Unit
	call for details	P1395	1	3Ø Power Unit

Item	SVI part#	OEM#	Req	Description
21	BH-7534-77	FJ7499	12	Hose Clip
22	BH-7528-85	N417-1	6	Sheave
23	BH-7500-49B	41388	4	Spacer 1-1/2" x .045 thick
24	BH-7500-68	FJ7444-8	2	Sheave Shaft
25	BH-7200-62A	41411	6	Ext. Retaining Ring 5304-75
26	BH-7501-24	FJ7595-1	1	Lock Release Cable (std. model)
	BH-7535-21	FJ7600	1	Lock Release Cable (EH1 & 2)
27	BH-7500-71	FJ7446-1	1	Right Overhead Beam
28	BH-7545-52	N417-3	1	Overhead Stiffener
29	BH-7500-72	FJ7447-1	1	Left Overhead Beam
30	BH-7519-28A	N349	1	Overhead Hose (std. model)
	BH-7519-29	N350	1	Overhead Hose (EH1)
	BH-7519-30	N351	1	Overhead Hose (EH2)
31	BH-7528-76	N39	2	Equalizer Cable (std. model)
	BH-7528-65	N312	2	Equalizer Cable (EH1)
	BH-7528-68	N313	2	Equalizer cable (EH2)
32	call for details			Cylinder Bleeder Screw
33	BH-7545-10	N342	2	Hydraulic Cylinder
34	BH-7503-29	FJ7871	1	3/4" Spacer
35	BH-7508-34	FJ7613-2	1	Overhead Limit Bar
36	call for details	N165-2	2	Tie Plate
37	BH-7503-65	N413	1	OH Limit Switch Assy (under 250V)
	BH-7538-55	N414	1	OH Limit Swich Assy (over 250V)
38	BH-7538-54	N413-1	1	Overhead Limit Switch (under 250V)
	BH-7537-21A	FJ7979-1	1	Overhead Limit Switch (over 250V)
39	BH-7536-92	FJ6158	4	Lift Adapter Base Assy
40	BH-7528-31A	N25-1	4	Outer Swing Arm
41	BH-7528-31	N25-2	4	Inner Swing Arm
42	BH-7505-14	FJ7838	4	Arm Swivel Pin
43	F-CP-187-2000	41250	4	3/16" x 2" Cotter Pin
44	call for details	N810	2	Carriage
45	BH-7545-16	N2122	4	Arm Restraint Gear (not adjustable)
	BH-7545-16A	SVI Exclusive	4	Arm Restraint Gear (adjustable)
46	BH-7510-03	FJ7360	8	Slider Block (cup style)
47	BH-7077-01	FJ7391-1	2	doorjammer.JR 18" cut-down strip
48	BH-7077-01	FJ7391-2	2	doorjammer.JR 6" cut-down strip

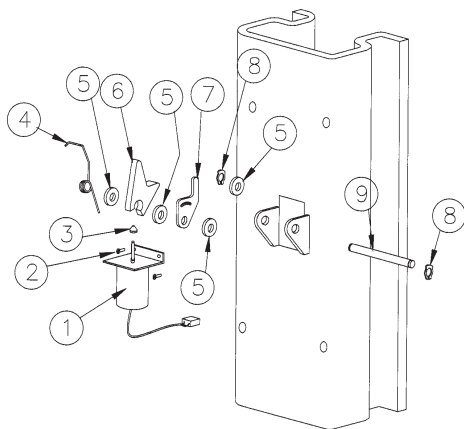
All names, numbers, symbols and descriptions are used for reference purposes only. It is not implied that any part listed is the product of these manufacturers; however, some parts may be the actual product of these manufacturers.

**Lock Parts for SPO10, SPOA10 & SPOA10NB**



Item	SVI part #	OEM #	Req	Description
1	F-MS-0312-18-0375		4	5/16"-18 x 3/8" Machine Screw
2	BH-7502-51	FJ7452	1	Main Side Cover (slotted)
	BH-7502-50	FJ7451	1	Opposite Side Cover (no slot)
3	BH-7503-16	FJ7382-9	1	Spring
4	BH-7503-31	FJ7566-10	2	Lock Latch Spring
5	BH-7500-49B	41388	8	3/4" x 1-1/2" Bushing
6	BH-7500-62A	41411	4	Ext. Retaining Ring 5304-75
7	F-SB-0312-20-1250	40220	2	5/16"-20 X 1-1/4" Shoulder Bolt
8	BH-7503-40	FJ7594-2	2	Control Plate
9	F-LN-0250-20		2	1/4"-20 Lock Nut
10	BH-7519-66	N616	2	Lock Pawl
11	F-JN-0375-16			3/8"-16 Jam Nut
12	BH-7503-17	FJ7382-18	1	Lock Release Handle
13	F-JN-0500-13			1/2"-13 Jam Nut
14	BH-7519-61	N617	1	Cover
15	BH-7503-45	FC134-91	1	Red Ball
16	BH-7502-34	FJ7382-34	2	Lock Shaft
17	BH-7537-59B	41410	4	Ext. Retaining Ring 5304-37
18	BH-7501-26	FJ7322		Lock Cable Sheave
19	BH-7501-24	FJ7595-1	1	Locking Latch Release Cable
20	BH-7504-53	N63-1		Cable Clamp

**Lock Parts for A8i, A10i & S10i**

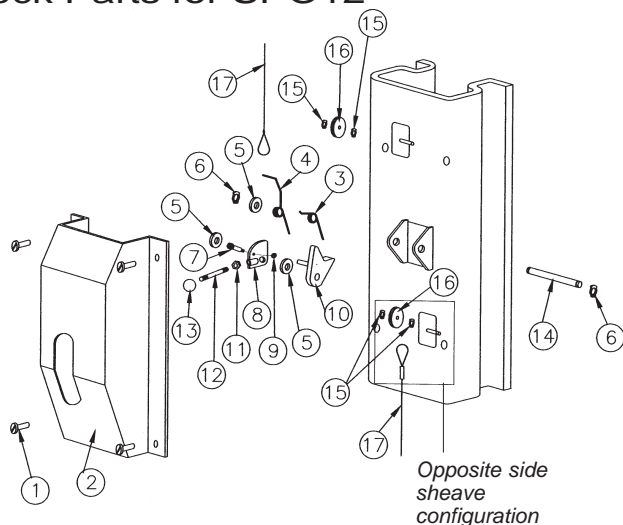


Item	SVI part #	OEM #	Req	Description
1	BH-7519-62	N613	1	Lock Solenoid
2	F-MS-0312-18-0375		2	5/16"-18 x 3/8" Machine Screw
3	BH-7519-63	N613-1	1	Pivot
4	BH-7519-65	N613-2	1	Lock Spring
5	BH-7500-49B	41388	4	Spacer 1-1/2" x .045 thick
6	BH-7519-66	N616	1	Lock Pawl
7	BH-7519-64	N613-3	1	Control Plate
8	BH-7500-62A	41411	2	Ext. Retaining Ring 5304-75
9	BH-7502-34	FJ7382-34	1	Lock Pawl Shaft

*Rapid Fire Response. . .*

**SVI is your answer!**

**Lock Parts for SPO12**



Item	SVI part #	OEM #	Req	Description
1	F-MS-0312-18-0375		4	5/16"-18 x 3/8" Machine Screw
2	BH-7502-51	FJ7452	1	Main Side Cover (slotted)
	BH-7502-50	FJ7451	1	Opposite Side Cover (no slot)
3	BH-7503-16	FJ7382-9	1	Spring
4	BH-7503-31	FJ7566-10	2	Lock Latch Spring
5	BH-7500-49B	41388	8	3/4" x 1-1/2" Bushing
6	BH-7500-62A	41411	4	Ext. Retaining Ring 5304-75
7	F-SB-0250-20-1250		2	1/4"-20 X 1-1/4" Shoulder Bolt
8	BH-7503-13	FJ7382-5	2	Control Plate
9	F-LN-0250-20		2	1/4"-20 Lock Nut
10	BH-7528-01	N165-1	2	Lock Pawl
11	F-JN-0375-16			3/8"-16 Jam Nut
12	BH-7503-17	FJ7382-18	1	Lock Release Handle
13	BH-7503-45	FC134-91	1	Red Ball
14	BH-7502-34	FJ7382-34	2	Lock Shaft
15	BH-7537-59B	41410	4	Ext. Retaining Ring 5304-37
16	BH-7501-26	FJ7322		Lock Cable Sheave
17	BH-7501-24	FJ7595-1	1	Locking Latch Release Cable