

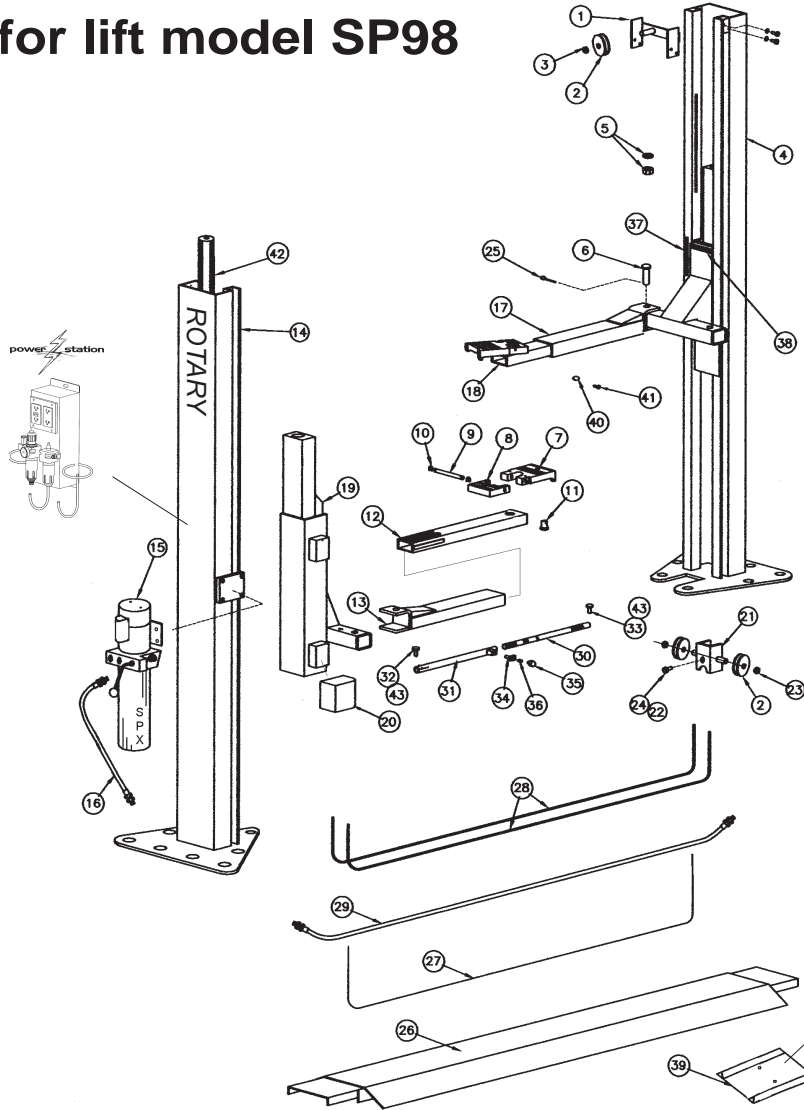
# SVI "Direct Fit" brand Lift Repair Parts for Rotary lifts.

entire contents copyright © 2005 SVI International, Inc.

## for lift model SP98



*SVI Rapid Fire  
Parts Response. . .*



For all the carriage lock parts see index for  
"Two Post Carriage Locks"



### Arm Restraint Individual Complete Assembly

SVI part #	OEM#	Description
BH-7503-50	FJ7522	Arm Restraint Assy

**Special Note of Interest:** Always upgrade the equalizer cables to that of stainless steel construction on any floor plate lift model. A stainless steel equalizer cable will withstand the rigors of the application much better and provide longer intervals between service. Add "SS" to end of SVI part number to specify stainless steel.

SVI Exclusive 15" wide reach wheel spotters are available for all applicable Rotary Lift models.

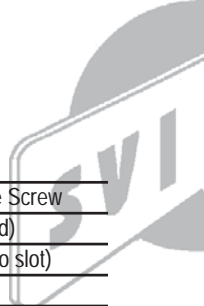
Item	SVI part #	OEM #	Req	Description
1	BH-7502-80	FJ7428-3	2	Top Sheave Bracket
2	BH-7500-50	SVI Exclusive	6	Sheave, Steel
	BH-7500-50N	FJ7116-1	6	Sheave, Nylon
3	BH-7500-62A		6	Ext. Retaining Ring 5304-75
4	call for details	FJ7425	1	Left Column
5	F-JN-0500-13		4	1/2"-13 Hex Jam Nut
	F-HN-0500-13		4	1/2"-13 Hex Nut
6	BH-7502-60	FJ7453-4	4	Arm Swivel Pin
7	BH-9755-20	FJ671-1	4	High Step Ductile Iron Adapter
8	BH-9755-21	FJ671-2	4	Low Step Ductile Iron Adapter
9	BH-9755-22	FJ671-3	4	Adapter Swivel Pin
10	BH-9755-26	FJ671-6	8	Hog Ring
11	BH-9755-25L	FJ79-6	4	Adpater Swivel Pin
12	BH-7503-92	FJ7416-2	4	Inner Arm
13	BH-7502-69	FJ7458-1	2	RF / LR Outer Arm
14	call for details	FJ7508	1	Right Column
15	BH-7006-01	P502	1	Power Unit
16	BH-7512-32	FJ818	1	Power Unit Hose
17	BH-7502-67	FJ7457-1	2	LF / RR Outer Arm
18	BH-7503-92	FJ7416-2*	4	Inner Arm Kit (includes adapters)
19	BH-7502-57	FJ7453	2	Carriage Weldment
20	BH-7510-03	FJ7360	8	Slider Block (cup style)
21	BH-7500-67	FJ7425-6	2	Lower Sheave Shaft Bracket
22	F-HN-0250-20-1000		2	1/4"-20 x 1" Hex Capscrew

Item	SVI part #	OEM #	Req	Description
23	BH-7500-62A	41411	6	Ext. Retaining Ring 5304-75
24	F-LN-0250-20		2	1/4"-20 Lock Nut
25	F-CP-187-2000		4	3/16" x 2" Cotter Pin
26	BH-7509-83	FJ576	1	Center Cover Kit
27	BH-7501-24	FJ7495-1	1	Locking Latch Release Cable
28	BH-7500-20	FJ7421	2	Equalizer Cable Assy
29	BH-7502-82	FJ7434	1	Hydraulic Hose
30	BH-7502-46	FJ7359-1	4	Arm Restraint Inner Bar
31	BH-7502-47	FJ7359-3	4	Arm Restraint Outer Tube
--	BH-7503-50	FJ7522	4	Arm Restraint Assy Complete
32	BH-7503-48	FJ7233-22	4	Clevis Pin for Outer Tube
33	BH-7502-03	FJ7359-5	4	Clevis Pin Inner Bar
34	BH-7503-47	FJ7233-25	4	Arm Restraint Plunger
35	BH-7503-45	FC134-9-10	4	Red Ball
36	BH-7503-46	FC134-9-7	4	Arm Restraint Spring
37	BH-7077-01	FJ7391-1	2	doorjammerJR 18" cut-down Strip
38	BH-7077-01	FJ7391-2	2	doorjammerJR 6" cut-down Strip
39	BH-9701	FF729	1	15" Wide Reach Wheel Spotter
	BH-9702		1	15" Wide Reach Dual Spotter
40	F-FW-0312-USS		4	5/16" Flatwasher
41		FC576	4	Hex Capscrew
42	BH-7511-03	FJ7311	2	Hydraulic Cylinder
Seal kits are available, specify cylinder make.				
43	F-CP-125-0750		8	1/8" x 3/4" Cotter Pin

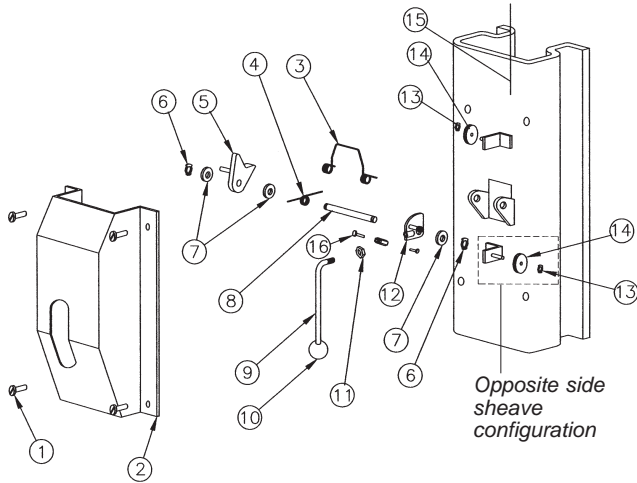
All names, numbers, symbols and descriptions are used for reference purposes only. It is not implied that any part listed is the product of these manufacturers; however, some parts may be the actual product of these manufacturers.

# SVI "Direct Fit" brand Lift Repair Parts for Rotary lifts.

entire contents copyright © 2005 SVI International, Inc.

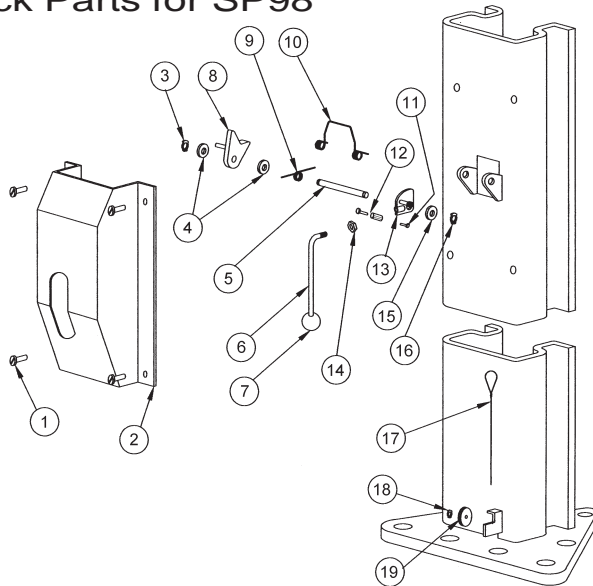


## Lock Parts for SPOA88 & SPOA98



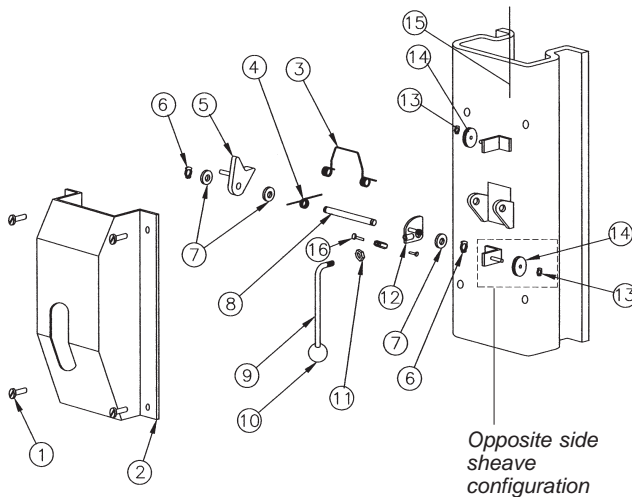
Item	SVI part #	OEM #	Req	Description
1	F-MS-0312-18-0375		4	5/16"-18 x 3/8" Machine Screw
2	BH-7502-51	FJ7452	1	Main Side Cover (slotted)
	BH-7502-50	FJ7451	1	Opposite Side Cover (no slot)
3	BH-7503-10	FJ7382-2	2	Lock Latch Spring
4	BH-7503-16	FJ7382-9	2	Spring
5	BH-7503-14	FJ7382-7	2	Lock Latch Pawl
6	BH-7500-62A		4	Ext. Retaining Ring 5304-75
7	BH-7500-49B	41388	2	3/4" x 1-1/2" Bushing
8	BH-7503-11	FJ7382-3	2	Lock Shaft
9	BH-7503-17	FJ7382-18	1	Lock Release Handle
10	BH-7503-45	FC134-9-10	1	Red Ball
11	F-JN-0375-16		1	3/8" Jam Nut
12	BH-7503-40	FJ7594-2	1	Control Plate Main Side
	BH-7503-13	FJ7382-5	1	Control Plate Opposite Side
13	BH-7537-59B	41410	2	Ext. Retaining Ring 5304-37
14	BH-7501-26	FJ7322	2	Lock Cable Sheave
15	BH-7501-24	FJ7594-1	1	Locking Latch Release Cable

## Lock Parts for SP98



Item	SVI part #	OEM #	Req	Description
1	F-MS-0312-18-0375		4	5/16"-18 x 3/8" Machine Screw
2	BH-7502-51	FJ7452	1	Main Side Cover (slotted)
	BH-7502-50	FJ7451	1	Opposite Side Cover (no slot)
3	BH-7500-62A		2	Ext. Retaining Ring 5304-75
4	BH-7500-49B	41388		1-1/2" x 3/4" Bushing
5	BH-7503-11	FJ7382-3	1	Lock Latch Shaft
6	BH-7503-17	FJ7382-18	1	Lock Release Handle
7	BH-7503-45	FC134-91	1	Round Ball
8	BH-7503-14	FJ7382-7	2	Lock Latch Dog
9	BH-7503-16	FJ7382-9	2	Spring
10	BH-7503-10	FJ7382-2	2	Lock Spring
11	F-HC-0250-20-0500			1/4"-20 x 1/2" Hex Capscrew
12	BH-7535-18	FJ7594-3	2	Lock Latch Cable Adjuster
13	BH-7503-40	FJ7594-2	2	Lock Latch Control Plate
14	F-JN-0375-16			3/8"-16 Jam Nut
15	BH-7500-49B	41388		1-1/2" x 3/4" Bushing
16	BH-7500-62A		2	Ext. Retaining Ring 5304-75
17	BH-7501-24	FJ7594-1	1	Locking Latch Release Cable
18	BH-7537-59B	41410		Ext. Retaining Ring 5304-37
19	BH-7501-26	FJ7322		Lock Latch Sheave/Pulley

## Lock Parts for SPO98



Item	SVI part #	OEM #	Req	Description
1	F-MS-0312-18-0375		4	5/16"-18 x 3/8" Machine Screw
2	BH-7502-51	FJ7452	1	Main Side Cover (slotted)
	BH-7502-50	FJ7451	1	Opposite Side Cover (no slot)
3	BH-7503-10	FJ7382-2	2	Lock Latch Spring
4	BH-7503-16	FJ7382-9	2	Spring
5	BH-7503-14	FJ7382-7	2	Lock Latch Pawl
6	BH-7500-62A		4	Ext. Retaining Ring 5304-75
7	BH-7500-49B	41388	2	3/4" x 1-1/2" Bushing
8	BH-7503-11	FJ7382-3	2	Lock Shaft
9	BH-7503-17	FJ7382-18	1	Lock Release Handle
10	BH-7503-45	FC134-91	1	Red Ball
11	F-JN-0375-16		1	3/8" Jam Nut
12	BH-7503-40	FJ7594-2	1	Control Plate Main Side
	BH-7503-13	FJ7382-5	1	Control Plate Opposite Side
13	BH-7537-59B	41410	2	Ext. Retaining Ring 5304-37
14	BH-7501-26	FJ7322	2	Lock Cable Sheave
15	BH-7501-24	FJ7594-1	1	Locking Latch Release Cable
16	BH-7535-18	FJ7594-3	1	Latch Cable Adjuster