

SVI "Direct Fit" brand Lift Repair Parts for Rotary lifts.

entire contents copyright © 2005 SVI International, Inc.

for lift model SP88



The next time you relocate a lift use SVI Kingpin Full Thread Wedge Anchors. Ask for BH-7075-03L



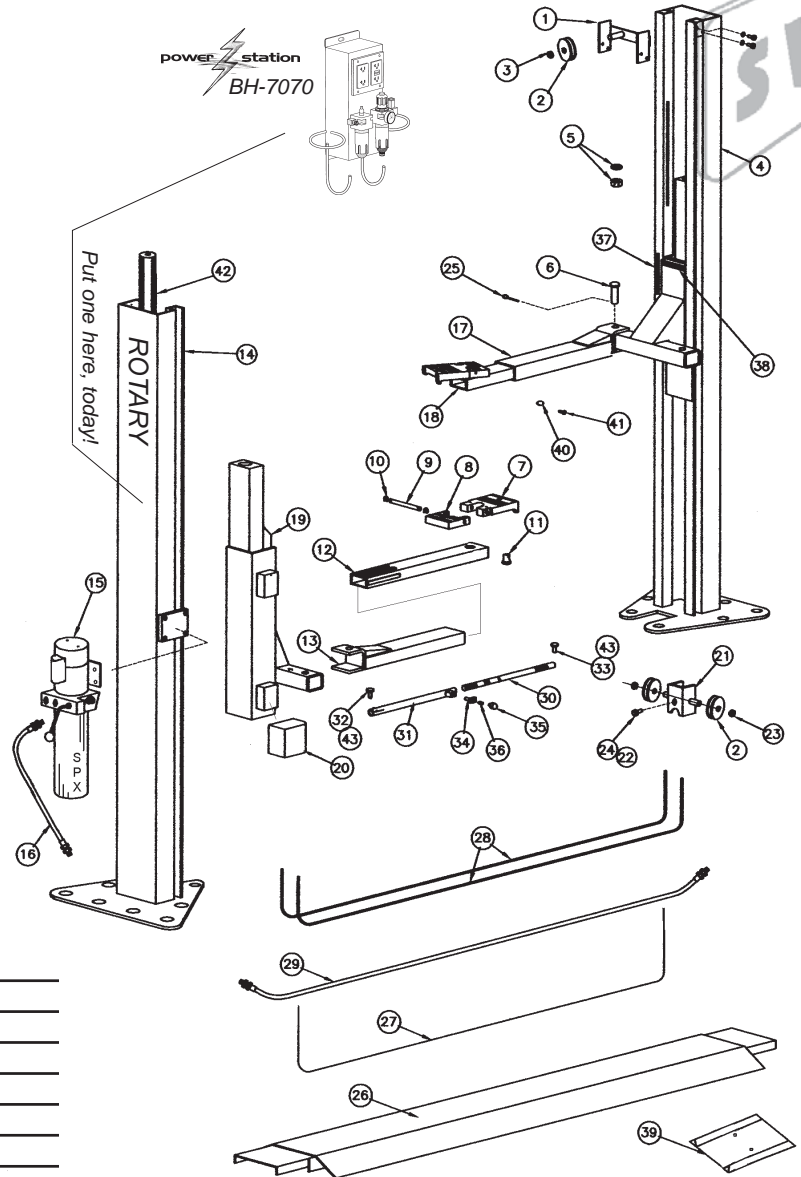
Arm Restraint Individual Complete Assembly

SVI part #	OEM#	Description
BH-7503-50	FJ7522	Arm Restraint Assy



For all the carriage lock parts see index for "Two Post Carriage Locks"

Item	SVI part #	OEM #	Req	Description
1	BH-7502-80	FJ7428-3	2	Top Sheave Bracket
2	BH-7500-50		6	Sheave, Solid Steel
	BH-7500-50N	FJ7116-1	6	Sheave, Nylon
3	BH-7500-62A		6	Ext. Retaining Ring 5304-75
4	call for details	FJ7425	1	Left Column
5	F-JN-0500-13		4	1/2"-13 Hex Jam Nut
	F-HN-0500-13		4	1/2"-13 Hex Nut
6	BH-7502-60	FJ7453-4	4	Arm Swivel Pin
7	BH-9755-20	FJ671-1	4	High Step Ductile Iron Adapter
8	BH-9755-21	FJ671-2	4	Low Step Ductile Iron Adapter
9	BH-9755-22	FJ671-3	4	Adapter Pin
10	BH-9755-26	FJ671-6	8	Hog Ring
11	BH-9755-25L	FJ79-6	4	Adpater Swivel Pin
12	BH-7503-92	FJ7416-2	4	Inner Swing Arm
13	BH-7502-63	FJ7455-1	2	RF / LR Outer Arm
14	call for details	FJ7426	1	Right Column
15	BH-7006-01	P502	1	Power Unit
16	BH-7512-32	FJ818	1	Power Unit Hose
17	BH-7502-65	FJ7456-1	2	LF / RR Outer Arm
18	BH-7503-92	FJ7416-2*	4	Inner Arm Kit (includes adapters)
19	BH-7502-57	FJ7453	2	Carriage Weldment
20	BH-7510-03	FJ7360	8	Slider Block (cup style)
21	BH-7500-67	FJ7425-6	2	Lower Sheave Shaft Bracket
22	F-HN-0250-20-1000		2	1/4"-20 x 1" Hex Capscrew
23	BH-7500-62A		6	Ext. Retaining Ring 5304-75
24	F-LN-0250-20		2	1/4"-20 Lock Nut
25	F-CP-187-2000		4	3/16" x 2" Cotter Pin
26	BH-7509-83	FJ576	1	Center Cover Kit
27	BH-7501-24	FJ7594-1	1	Locking Latch Release Cable

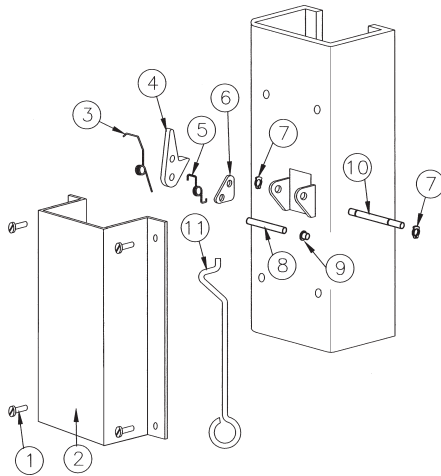


Item	SVI part #	OEM #	Req	Description
28	BH-7500-22	FJ7422	2	Equalizer Cable Assy
29	BH-7512-08	FJ7356	1	Hydraulic Hose
30	BH-7502-46	FJ7359-1	4	Arm Restraint Inner Bar
31	BH-7502-47	FJ7359-3	4	Arm Restraint Outer Tube
--	BH-7503-50	FJ7522	4	Arm Restraint Assy Complete
32	F-CV-375-1250	FJ233-22	4	Clevis Pin for Outer Tube
33	BH-7502-03	FJ7359-5	4	Clevis Pin for Inner Bar
34	BH-7503-47	FJ7233-25	4	Arm Restraint Plunger
35	BH-7503-45	FC134-9-10	4	Red Ball
36	BH-7503-46	FC134-9-7	4	Arm Restraint Spring
37	BH-7077-01	FJ7391-1	2	doorjammerJR 18" cut-down Strip
38	BH-7077-01	FJ7391-2	2	doorjammerJR 6" cut-down Strip
39	BH-9701	FF729	1	15" Wide Reach Wheel Spotter
	BH-9702		1	15" Wide Reach Dual Spotter
40	F-FW-0312-USS		4	5/16" Flatwasher
41		FC576	4	Hex Capscrew
42	BH-7511-03	FJ7311	2	Hydraulic Cylinder
				Seal kits are available, specify cylinder make.
43	F-CP-125-0750		8	1/8" x 3/4" Cotter Pin



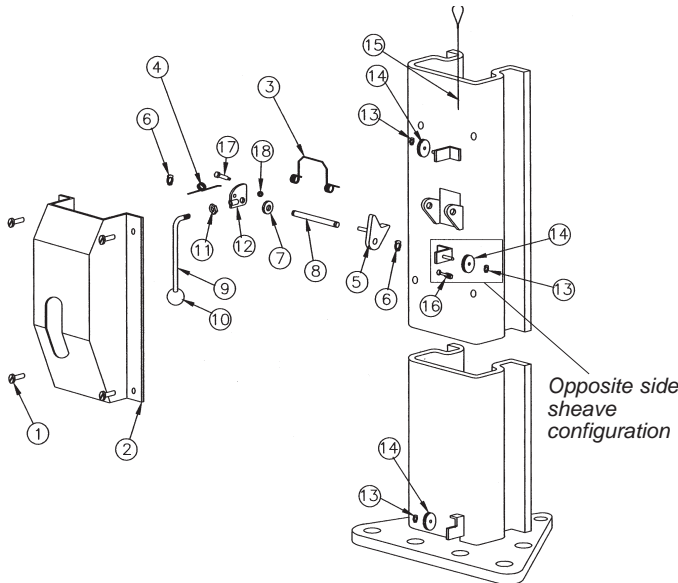
Lock Parts for SPOA7 / DCOA7

Rapid Fire Response



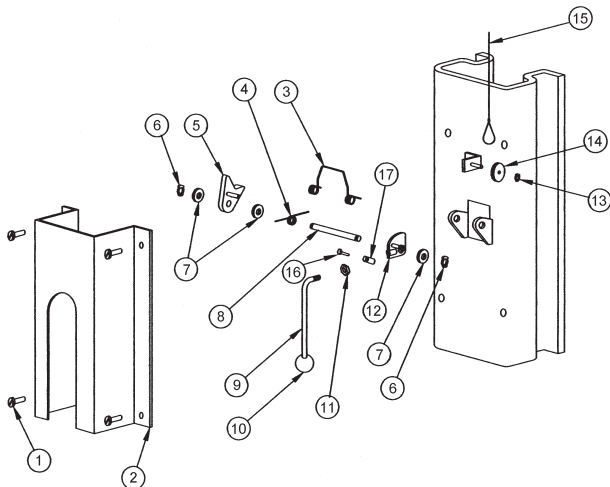
Item	SVI part #	OEM #	Req	Description
1	F-MS-0312-18-0375		8	5/16"-18 x 3/8" Machine Screw
2	BH-7502-50	FJ7451	1	Cover
3	BH-7503-31	FJ7566-10	2	Lock Latch Spring
4	BH-7503-15	FJ7382-8	2	Lock Latch Pawl
5	BH-7503-35	FJ7566-18	2	Spring
6	BH-7503-33	FJ7566-12	2	Plate
7	BH-7500-62A	41411	4	Ext. Retaining Ring 5304-75
8	BH-7503-32	FJ7566-11	2	Pivot Pin
9	BH-7503-34	FJ7566-16	2	Push Nut
10	BH-7503-30	FJ7566-9	2	Latch Shaft
11	BH-7535-07	FJ7566-15	2	Lock Release Handle

Lock Parts for SP7 & SP9



Item	SVI part #	OEM #	Req	Description
1	F-MS-0312-18-0375		4	5/16"-18 x 3/8" Machine Screw
2	BH-7502-51	FJ7452	1	Main Side Cover (slotted)
	BH-7502-50	FJ7451	1	Opposite Side Cover (no slot)
3	BH-7503-10	FJ7382-2	2	Lock Latch Spring
4	BH-7503-16	FJ7382-9	2	Spring
5	BH-7503-14	FJ7382-7	2	Lock Latch Pawl
6	BH-7500-62A	41411	4	Ext. Retaining Ring 5304-75
7	BH-7500-49B	41388	2	3/4" x 1-1/2" Bushing
8	BH-7503-11	FJ7382-3	2	Lock Shaft
9	BH-7503-17	FJ7382-18	1	Lock Release Handle
10	BH-7503-45	FC134-91	1	Red Ball
11	F-JN-0375-16		1	3/8" Jam Nut
12	BH-7503-40	FJ7594-2	1	Control Plate Main Side
	BH-7503-13	FJ7382-5	1	Control Plate Opposite Side
13	BH-7537-59B	41410	2	Ext. Retaining Ring 5304-37
14	BH-7501-26	FJ7322	2	Lock Cable Sheave
15	BH-7501-24	FJ7594-1	1	Locking Latch Release Cable
16	BH-7535-18	FJ7594-3	1	Latch Cable Adjuster
17	F-SB-0250-20-1000		2	1/4"-20 x 1" Shoulder Bolt
18	F-LN-0250-20		2	1/4"-20 Lock Nut

Lock Parts for SP88 & SPO88



Item	SVI part #	OEM #	Req	Description
1	F-MS-0312-18-0375		5/16"-18 x 3/8" Machine Screw	
2	BH-7502-51	FJ7452	1	Main Side Cover (slotted)
	BH-7502-50	FJ7451	1	Opposite Side Cover (no slot)
3	BH-7503-10	FJ7382-2	2	Lock Spring
4	BH-7503-16	FJ7382-9	2	Spring
5	BH-7503-14	FJ7382-7	2	Lock Latch Pawl
6	BH-7500-62A			Ext. Retaining Ring 5304-75
7	BH-7500-49B	41388	2	3/4" x 1-1/2" Bushing
8	BH-7503-11	FJ7382-3	2	Lock Shaft
9	BH-7503-17	FJ7382-18	1	Lock Release Handle
10	BH-7503-45	FC134-9-10	1	Red Ball
11	F-JN-0375-16			3/8" Jam Nut
12	BH-7503-40	FJ7594-2	2	Control Plate
13	BH-7535-59B	41410		Ext. Retaining Ring 5304-37
14	BH-7501-26	FJ7322	2	Lock Cable Sheave
15	BH-7501-24	FJ7594-1	1	Locking Latch Release Cable
16	F-HC-0250-20-0500		2	1/4"-20 X 1/2" Hex Capscrew
17	BH-7535-18	FJ7594-3	2	Cable Adjuster