

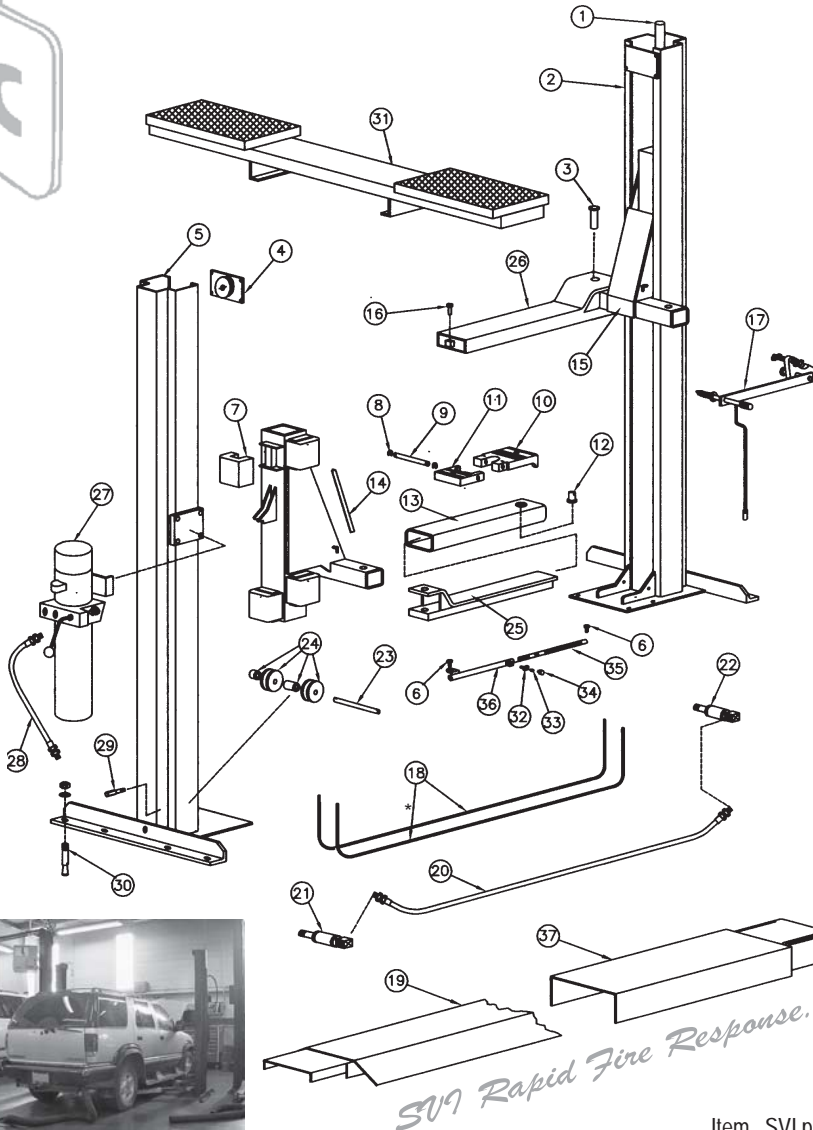
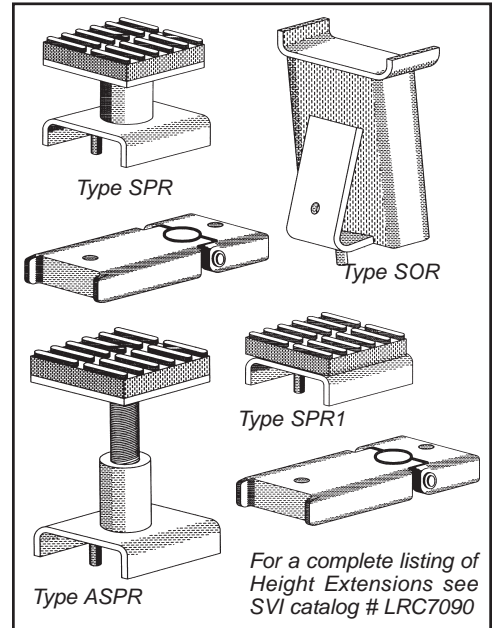


Insist on only SVI "Direct Fit" brand Lift Repair Parts.

entire contents copyright © 2005 SVI International, Inc.

for lift model SP84/80 Mark II

Height Extensions for use on most Rotary lifts



SVI Rapid Fire Response.

Special Note of Interest: Always upgrade the equalizer cables to that of stainless steel construction on any floor plate lift model. A stainless steel equalizer cable will withstand the rigors of the application much better and provide longer intervals between service.

Item	SVI part #	OEM #	Req	Description
1	BH-7511-02	FJ7211	2	Hydraulic Cylinder
2	call for details	FJ7285	1	Right Column
3	BH-7502-12	FJ730-4	4	Arm Pin
4	BH-7502-11	FJ719-6	2	Upper Sheave Assy
	BH-7500-50	FJ7116-1	6	Sheave, Steel
5	call for details	FJ7284	1	Left Column
6	BH-7503-48	FJ7233-22	8	Clevis Pin
7	BH-7510-01	FJ7236	12	Slider Block
8	BH-9755-26	FJ671-6	8	Hog Ring Clip
9	BH-9755-22	FJ671-3	4	Adapter Pin
10	BH-9755-20	FJ671-1	4	High Step Ductile Iron Adapter
11	BH-9755-21	FJ671-2	4	Low Step Ductile Iron Adapter
12	BH-9755-25	FJ671-5	4	Adapter Swivel Pin
13	BH-7508-40	FJ775-1	4	Sleeve Only
14	BH-7510-04	FJ761-4	2	Foam Tape
15	BH-7510-08	FJ7242-1	2	Carriage (SP84)
15	call for details	FJ7349-2	2	Carriage (SP80)
16	F-SC-0375-16-1000	FJ7112	4	3/8" - 1" SocketHead Capscrew
17	BH-7503-02	FJ748	2	Carriage Latch Kit
18	BH-7500-02	FJ776	2	Equalizer Cable Assy
	BH-7500-02SS		2	Equalizer Cable (stainless steel)
19	BH-7509-84	FJ7250	1	Center Cover Plate Kit (FJ577)

Item	SVI part #	OEM #	Req	Description
20	BH-7512-05	FJ88	1	Hydraulic Hose
21	BH-7510-05	FJ7214	1	RH Piping Assy
22	BH-7510-06	FJ7215	1	LH Piping Assy
23	BH-7500-65A	FJ719-12	2	Sheave Pin
24	BH-7500-65	FJ797	2	Lower Sheave Kit
	BH-7500-50		6	Sheave, Steel
	BH-7500-50N	FJ7116-1	6	Sheave, Nylon
25	BH-7504-02	FJ7239	1	Right Rear Swing Arm
25	BH-7504-03	FJ7240	1	Right Front Swing Arm
25	BH-7504-04	FJ7241	1	Left Front Swing Arm
25	BH-7504-01	FJ7238	1	Left Rear Swing Arm
26	call for details			Arm (SP80)
27	BH-7006-01	P602	1	Power Unit 2hp, 1ph, 3450 RPM
28	BH-7512-30	FJ816	1	Hydraulic Hose
29	call for details	FJ741-7	2	Cylinder Adapter Fitting
30	BH-7075-03		16	Anchor 3/4" X 5-1/2"
31	call for details	FJ779	2	Pad and Support Assy (SP80)
32	BH-7503-47	FJ7233-25	4	Arm Restraint Plunger
33	BH-7503-46	FC134-89	4	Arm Restraint Spring
34	BH-7503-45	FC134-91	4	Red Ball
35	BH-7503-23	FJ7233-27	4	Inner Arm Restraint Bar
36	BH-7508-25	FJ7233-7	2	Left Arm Restraint Outer Tube
36	BH-7508-24	FJ7233-11	2	Right Arm Restraint Outer Tube
37	BH-7510-05	FJ7314	1	Center Cover (SP80)