

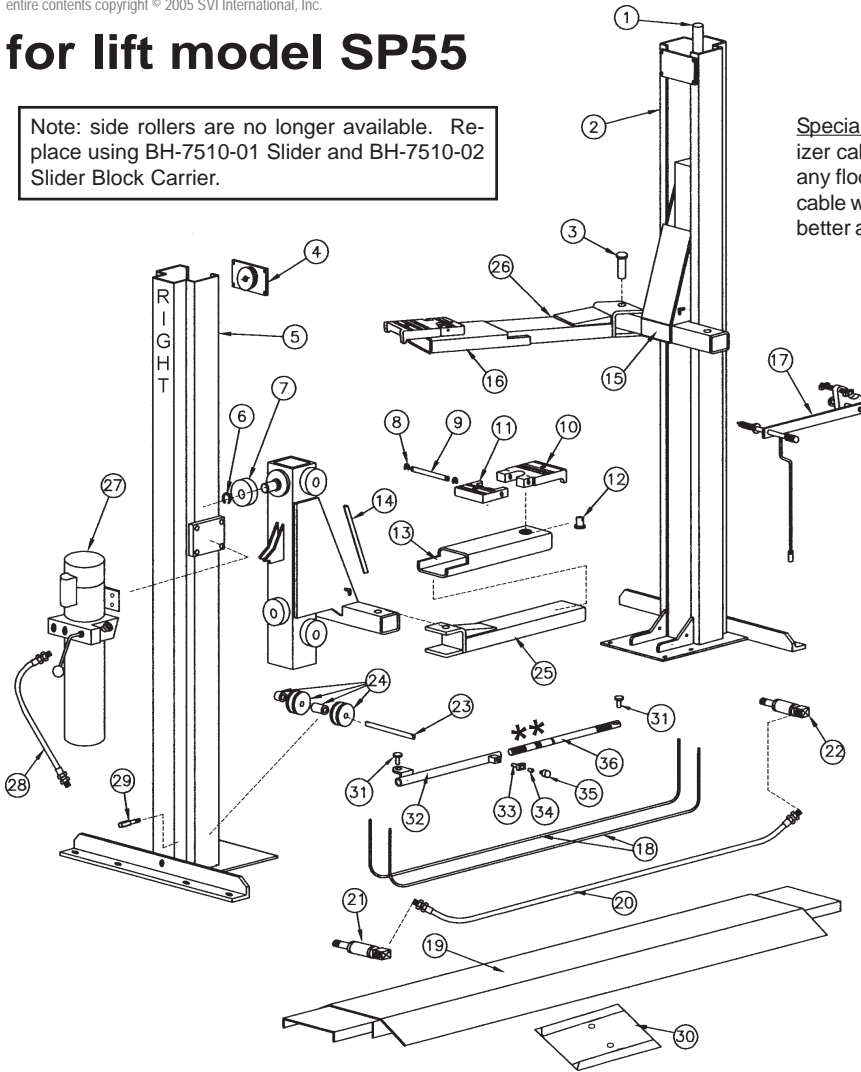
# SVI "Direct Fit" brand Lift Repair Parts for Rotary lifts.

entire contents copyright © 2005 SVI International, Inc.

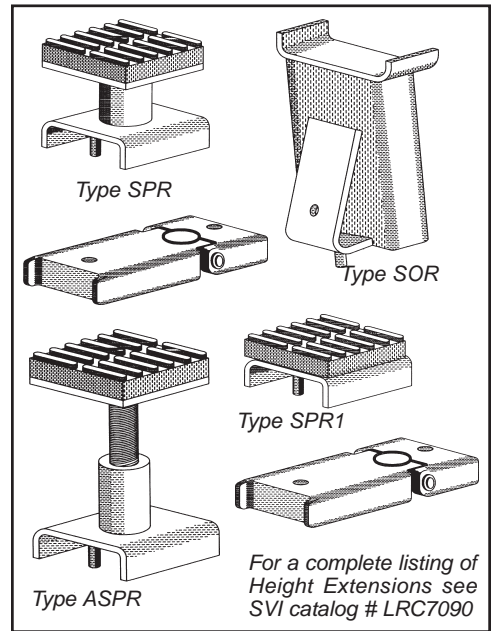
## for lift model SP55

Note: side rollers are no longer available. Replace using BH-7510-01 Slider and BH-7510-02 Slider Block Carrier.

**Special Note of Interest:** Always upgrade the equalizer cables to that of stainless steel construction on any floor plate lift model. A stainless steel equalizer cable will withstand the rigors of the application much better and provide longer intervals between service.



### Height Extensions for use on most Rotary lifts



Item	SVI part #	OEM #	Req	Description
1	BH-7511-02	FJ7211	2	Hyd Cylinder after 1987
1	BH-7511-06	FJ783	2	Hyd Cylinder (now uses FJ7375)
1A	BH-7511-10	FJ783-12MF	2	Cyl Seal Kit Mass Ferguson
1B	BH-7511-11	FJ783-12TH	2	Cyl Seal Kit Texas Hydraulic
2	n/a	FJ759	1	Left Hand Column
3	BH-7502-12	FJ730-4	4	Arm Pin
4	BH-7502-11	FJ719-6	2	Upper Sheave Assy
	BH-7500-50	Fj7116-1	6	Sheave, Steel
5	n/a	FJ760	1	Right Hand Column
6	call for details		12	Retaining Ring
7	see note above	FJ721-5	12	Order BH-7510-01 & 02
8	BH-9755-26	FJ671-6	8	Hog Ring Clip
9	BH-9755-22	FJ671-3	4	Adapter Pivot Pin
10	BH-9755-20	FJ671-1	4	High Step Ductile Iron Adapter
11	BH-9755-21	FJ671-2	4	Low Step Ductile Iron Adapter
12	BH-9755-25	FJ671-5	4	Adapter Swivel Pin
13	n/a	FJ7112-1	4	Sleeve Only
14	BH-7510-04	FJ761-4	2	Foam Tape
15	n/a	FJ761	2	Carriage
16	call for details	FJ7112	4	Sleeve & Adapter Assy
17	BH-7503-02	FJ748	2	Lock Latch Assy
18	BH-7500-10	FJ7114	2	Equalizer Cable Assy
	BH-7500-10SS		2	Equalizer Cable (stainless steel)

Item	SVI part #	OEM #	Req	Description
19	BH-7509-84	FJ7113	1	Center Cover Plate Kit (FJ577)
20	BH-7512-06	FJ87	1	Hydraulic Hose
21	BH-7510-05	FJ7214	1	RH Piping Assy
22	BH-7510-06	FJ7215	1	LH Piping Assy
23	BH-7500-65A	FJ719-12	2	Sheave Pin
24	BH-7500-65	FJ797	2	Lower Sheave Kit
	BH-7500-50	FJ7116-1	6	Sheave, Steel
	BH-7500-50N	FJ7116-1	6	Sheave, Nylon
25	BH-7502-10	FJ7111	2	Front Swing Arm
26	call for details	FJ7110	2	Rear Swing Arm
27	BH-7006-01	P602	1	Power Unit 2hp, 1ph, 3450 RPM
28	BH-7512-52	FJ7191	1	Hydraulic Hose
29A	BH-7512-60	FJ741-1-1	2	Cylinder Adapter Fitting
29B	BH-7512-61	FJ741-1-2	2	Hex Adapter
30	BH-9701	FF729	1	15" Wide Reach Wheel Spotter
31	BH-7503-48	FJ7233-22	4	Clevis Pin
32	BH-7508-25	FJ7233-7	2	Left Arm Restraint Outer Tube
	BH-7508-24	FJ7233-11	2	Right Arm Restraint Outer Tube
33	BH-7503-47	FJ7233-25	4	Arm Restraint Plunger
34	BH-7503-46HD	FC134-9-7	4	Arm Restraint Spring
35	BH-7503-45	FC134-9-10	4	Red Ball
36	BH-7503-23	FJ7233-27	4	Inner Arm Restraint Bar
**	BH-7508-04	FJ7516	2	LF / LR Arm Restraint Assembly
**	BH-7508-05	FJ7517	2	RF / RR Arm Restraint Assembly

**Absolutely, SVI is your answer!**

All names, numbers, symbols and descriptions are used for reference purposes only. It is not implied that any part listed is the product of these manufacturers; however, some parts may be the actual product of these manufacturers.