

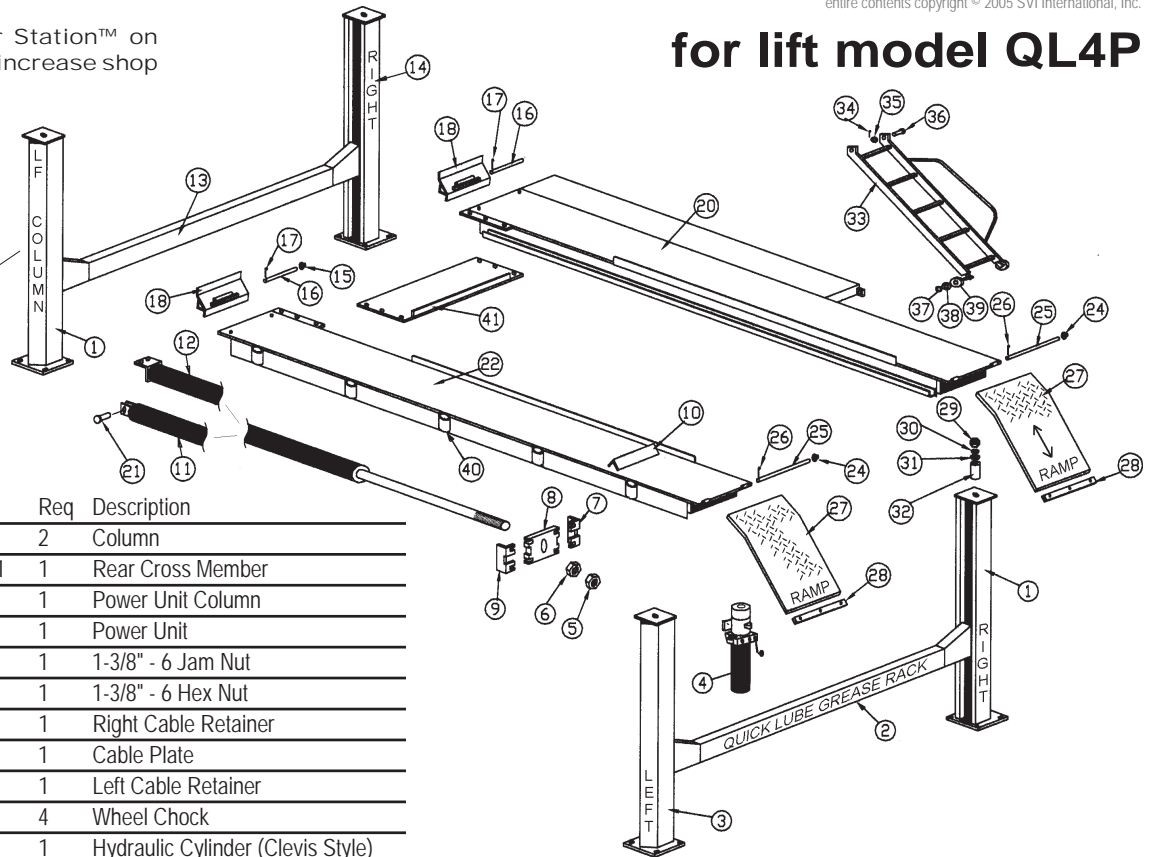
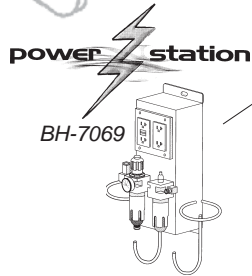


Insist on only SVI "Direct Fit" brand Lift Repair Parts.

entire contents copyright © 2005 SVI International, Inc.

Put a Power Station™ on your lift and increase shop efficiency.

for lift model QL4P

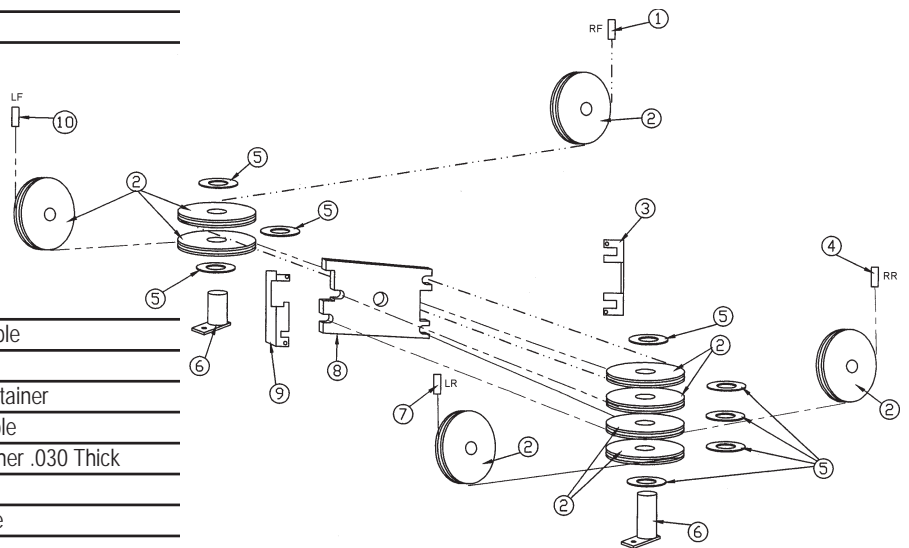


Item	SVI part#	OEM#	Req	Description
1	BH-7525-33	FC5146	2	Column
2	BH-7509-46	FC5309-1	1	Rear Cross Member
3	BH-7527-24	FC5232	1	Power Unit Column
4		P518	1	Power Unit
5	F-JN-1375-07		1	1-3/8" - 6 Jam Nut
6	F-HN-1375-07		1	1-3/8" - 6 Hex Nut
	BH-7501-89	FC543-2	1	Right Cable Retainer
8	BH-7529-20	FC543	1	Cable Plate
9	BH-7501-90	FC543-3	1	Left Cable Retainer
10	BH-7508-89	FC320	4	Wheel Chock
11	BH-7517-18	FC5342	1	Hydraulic Cylinder (Clevis Style)
12	BH-7501-62	FC542	1	Hydraulic Cylinder (2 Bolt Style)
13	BH-7513-09	FC5315-1	1	Front Cross Member
14	BH-7525-31	FC5145	1	Column
15	BH-7525-70	FC5179-4	?	5/8" Push Nut
16	BH-7517-78	FC134-13-4	4	Hinge Pin or FC134-99
17	F-CP-156-1000		4/8	5/32" x1" Cotter Pin
18	BH-7508-75	FC134-13	2	Front Wheel Stop
20	BH-7516-02	FC5384	1	Runway
21	BH-7513-43	FC5346-1	1	Cylinder Clevis
22		FC5385	1	Runway
24	BH-7525-70	FC5179-4	?	5/8" Push Nut
25	BH-7517-78	FC134-13-4	4	Hinge Pin or FC134-99
26	F-CP-156-1000		4/8	5/32" x1" Cotter Pin
27		FC338	2	Approach Ramp
28	BH-7508-78	FC134-33	2	Ramp Slide
29	F-JN-0875-09		4	7/8"-9 Jam Nut

Item	SVI part#	OEM#	Req	Description
30	F-HN-0875-09		4	7/8"-9 Hex Nut
31	F-FW-0875-USS		4	7/8" Flatwasher
32	BH-7509-04	FC5287	4	Spacer Tube
33	BH-7527-64	FC5238	1	Ladder
34	F-CP-125-1000			1/8" x 1" Cotter Pin
35	F-FW-0375-USS			3/8" Flatwasher
36	BH-7503-48	FJ7233-22		Clevis Pin
37			2	Ext. Retaining Ring 5100-37
38	F-FW-0375-SAE		2	3/8" Flatwasher
39	BH-7527-67	2337T24	2	Rubber Wheel 4" x 1-1/4"
40		FC5385	1	Left Runway
41	BH-7527-70	FC5239	1	Center Platform

cable detail

Item	SVI part#	OEM#	Req	Description
1	BH-7501-08	FC547	1	Right Front Cable
2	BH-7501-45	FC548	10	Sheave
3	BH-7501-89	FC543-2	1	Right Cable Retainer
4	BH-7501-06	FC545	1	Right Rear Cable
5	BH-7517-19	FC5346-2	7	Antifiction Washer .030 Thick
6	BH-7501-47	FC555-1	2	Sheave Pin
7	BH-7501-05	FC544	1	Left Rear Cable
8	BH-7529-20	FC543	1	Cable Plate
9	BH-7501-90	FC543-3	1	Left Cable Retainer
10	BH-7501-07	FC546	1	Left Front Cable



All names, numbers, symbols and descriptions are used for reference purposes only. It is not implied that any part listed is the product of these manufacturers; however, some parts may be the actual product of these manufacturers.

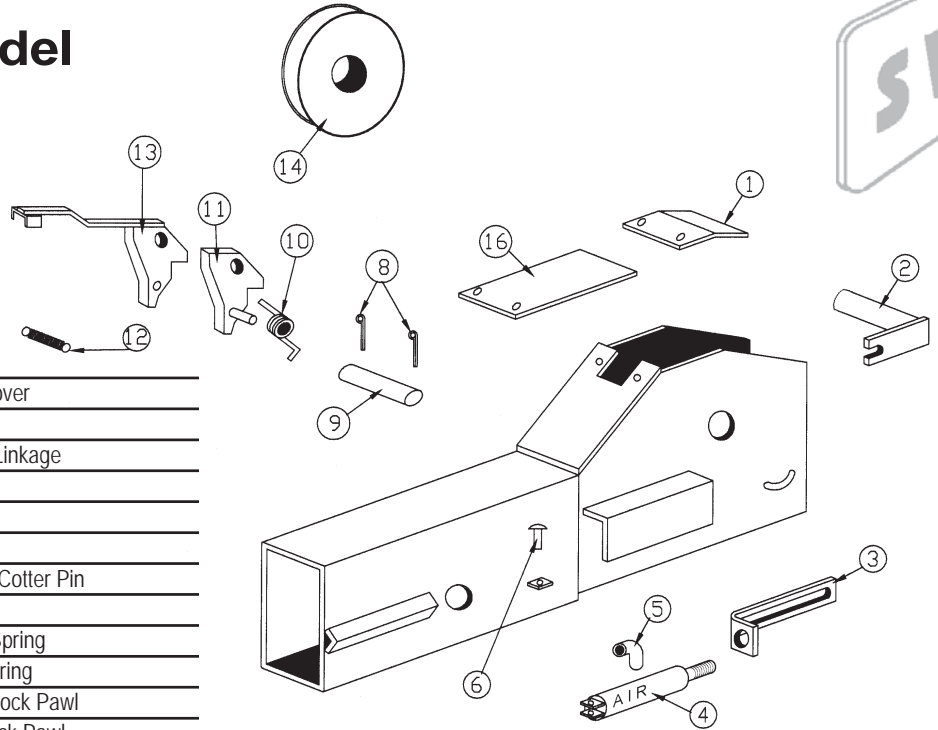
SVI "Direct Fit" brand Lift Repair Parts for Rotary lifts.

entire contents copyright © 2005 SVI International, Inc.

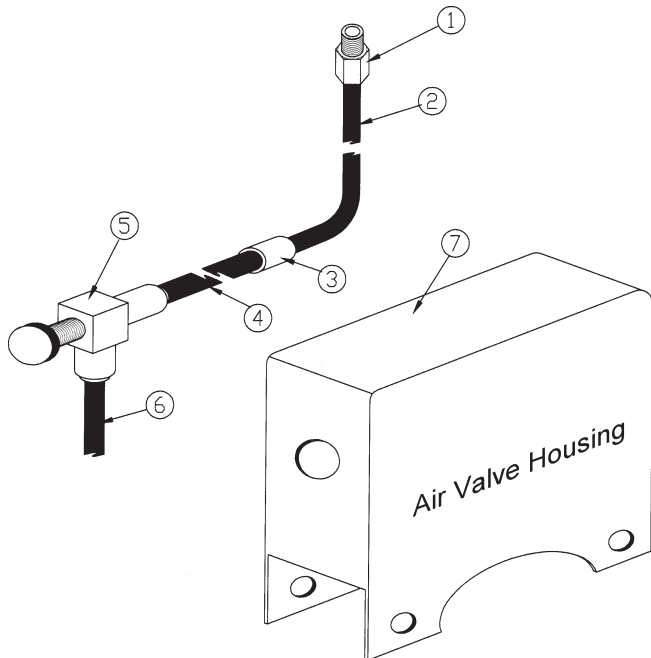
lock detail QL4P model



Item	SVI part#	OEM#	Req	Description
1	BH-7516-76	FC522-20	4	Protective Cover
2	BH-7501-44	FC553-8	4	Sheave Pin
3	BH-7501-53B	FA2230-9	4	Air Cylinder Linkage
4	BH-7501-53	FA2230-1	4	Air Cylinder
5	BH-7501-56	FC5224-39	4	Elbow
6	BH-7507-06	FA2230-12	4	Clevis Pin
8	F-CP-125-1250		8	1/8" x 1-1/4" Cotter Pin
9	BH-7526-55	FC522-8-3	4	Lock Shaft
10	BH-7513-11	FC5315-6	2	Right Hand Spring
	BH-7513-10	FC5315-5	2	Left Hand Spring
11	BH-7501-60A	FC522-8	2	Right Hand Lock Pawl
	BH-7501-60	FC522-17	2	Left Hand Lock Pawl
	BH-7501-60/60A		1	RH & LH Lock Pawl Kit
12	BH-7501-61	FC522-25	4	Spring
13	BH-7501-54R	FC553-2	2	RH Slack Cable Lock FC553-19
	BH-7501-54	FC553-3	2	LH Slack Cable Lock FC553-20
14	BH-7501-45	FC548	4	Cable Sheave
16	BH-7516-76	FC553-10	4	Rubber Cover



air valve details



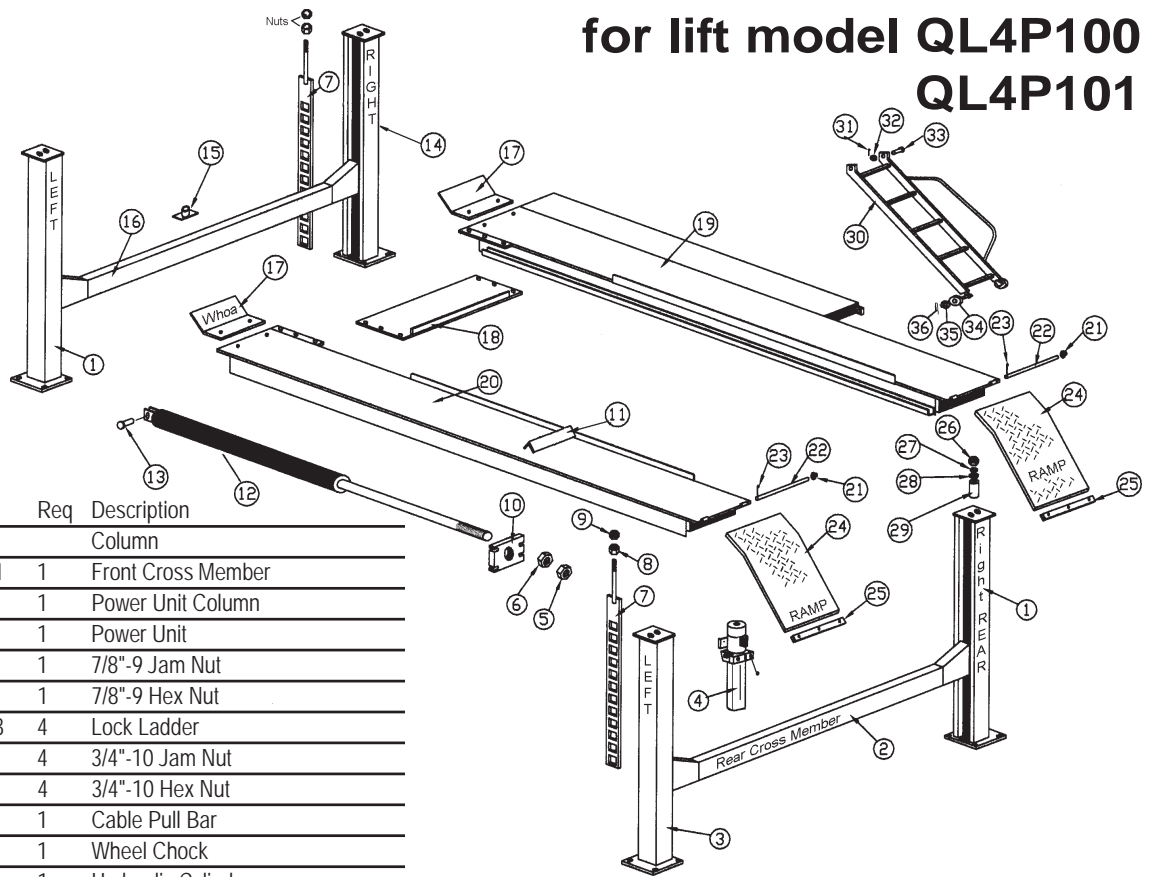
Item	SVI part#	OEM#	Req	Description
1	BH-7507-03	FA3134-7		Male Connector
2	BH-7507-02	FA2230-15		Air Line Tube 3/8" x 40'
3	BH-7507-05	FA3134-8		Reducer
4		FA3134-11		Air Line Tube
5	BH-7503-99	FA3134-10		Air Valve
6		FA3134-9		Air Line Tube 1/4"



Insist on only SVI "Direct Fit" brand Lift Repair Parts.

entire contents copyright © 2005 SVI International, Inc.

for lift model QL4P100 QL4P101

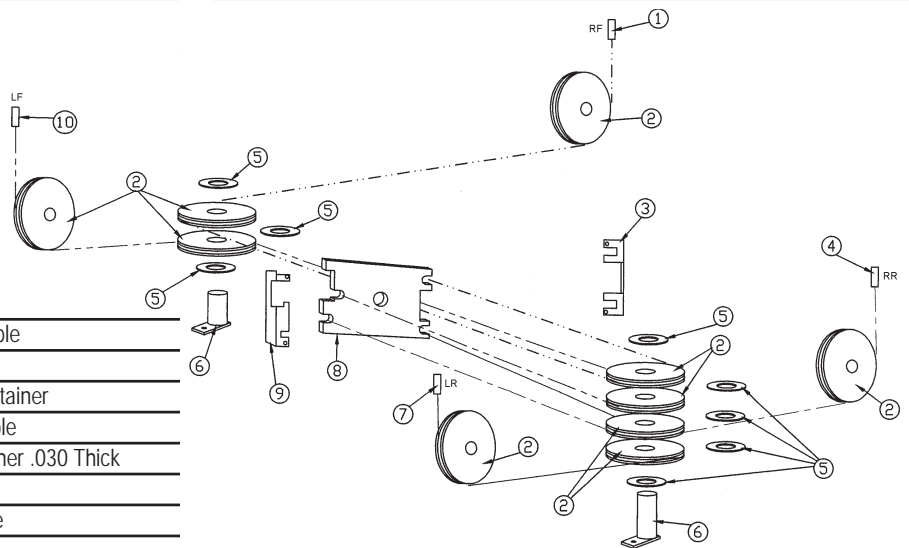


Item	SVI part#	OEM#	Req	Description
1	BH-7530-86	FC5704		Column
2		FC5706-1	1	Front Cross Member
3	BH-7530-86	FC5705	1	Power Unit Column
4		P714	1	Power Unit
5	F-JN-0875-09		1	7/8"-9 Jam Nut
6	F-HN-0875-09		1	7/8"-9 Hex Nut
7	BH-7530-74	FC5704-3	4	Lock Ladder
8	F-JN-0750-10		4	3/4"-10 Jam Nut
9	F-HN-0750-10		4	3/4"-10 Hex Nut
10	BH-7529-20	FC543	1	Cable Pull Bar
11	BH-7508-89	FC320	1	Wheel Chock
12	BH-7531-43	FC5797	1	Hydraulic Cylinder
	BH-7531-42	FC5797-TH	1	Cylinder Seal Kit (Texas Hyd)
13	BH-7513-43	FC5346-1	1	Cylinder Clevis
14	BH-7530-86	FC5707		Column
15	BH-7529-69	FC5459-1	1	Rail Support for QL4P100 only
16		FC5709-1		Front Cross Member
17	BH-7524-66	FC342	2	Wheel Stop QL4P100
18	BH-7527-70	FC5239	1	Center Platform
19		FC5508	1	Right Runway
20		FC5506	1	Left Runway
21	BH-7525-70	FC5179-4		5/8" Push Nut
22	BH-7517-78	FC134-99	2	Hinge Pin
23	F-CP-156-1000			5/32" x 1" Cotter Pin
24		FC134-65	2	Approach Ramp

Item	SVI part#	OEM#	Req	Description
25	BH-7508-78	FC134-33		Ramp Slide
26	F-JN-0875-09		4	7/8"-9 Jam Nut
27	F-HN-0875-09		4	7/8"-9 Hex Nut
28	F-FW-0875-USS		4	7/8" Flatwasher
29	BH-7509-04	FC5287	4	Spacer Tube
30		FC5238-1	1	Ladder
31	F-CP-125-1000			1/8" x 1" Cotter Pin
32	F-FW-0500-USS			1/2" Flatwasher
33	BH-7527-63	FC5238-8	2	Clevis Pin
34	BH-7510-67	FJ2271-1	2	Ladder Roller 4"
35	F-FW-0500-SAE			1/2" Flatwasher
36	F-CP-125-1000			1/8" x 1" Cotter Pin

cablE detail

Item	SVI part#	OEM#	Req	Description
1	BH-7501-08	FC547	1	Right Front Cable
2	BH-7501-45	FC548	10	Sheave
3	BH-7501-89	FC543-2	1	Right Cable Retainer
4	BH-7501-06	FC545	1	Right Rear Cable
5	BH-7517-19	FC5346-2	7	Antifiction Washer .030 Thick
6	BH-7501-47	FC555-1	2	Sheave Pin
7	BH-7501-05	FC544	1	Left Rear Cable
8	BH-7529-20	FC543	1	Cable Plate
9	BH-7501-90	FC543-3	1	Left Cable Retainer
10	BH-7501-07	FC546	1	Left Front Cable

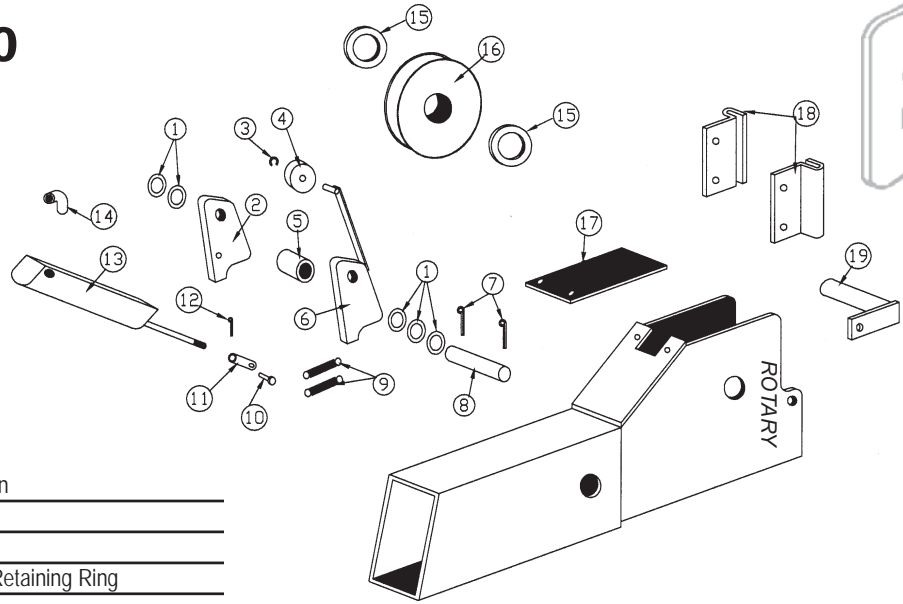


All names, numbers, symbols and descriptions are used for reference purposes only. It is not implied that any part listed is the product of these manufacturers; however, some parts may be the actual product of these manufacturers.

SVI "Direct Fit" brand Lift Repair Parts for Rotary lifts.

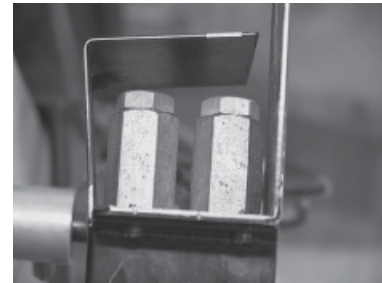
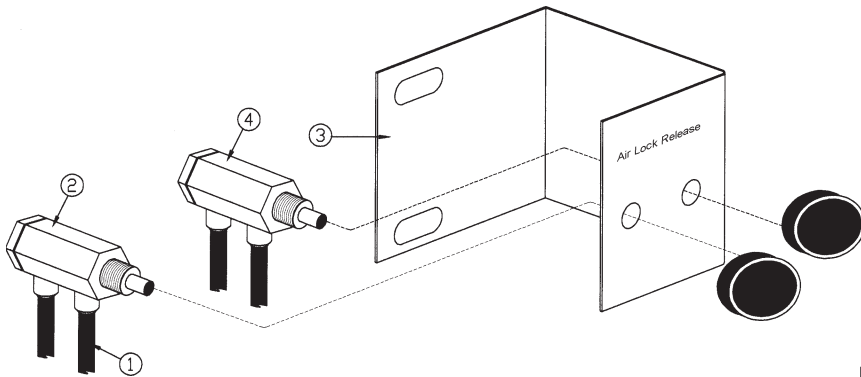
entire contents copyright © 2005 SVI International, Inc.

lock detail QL4P100 QL4P101 model



Item	SVI part#	OEM#	Req	Description
1	BH-7510-15	FC5301-98	20	Spacer
2	BH-7530-89	FC5706-10	4	Lock Pawl
3		41410	4	3/8" Ext. Retaining Ring
4	BH-7517-24	FC553-21	4	Sheave
5	BH-7530-96	FC5706-9	4	Spacer Tube
6	BH-7530-95	FC5706-8	4	Slack Cable Lock
7	F-CP-125-1250		8	1/8" x 1-1/4" Cotter Pin
8	BH-7501-55	FC5224-17	4	Lock Shaft
9	BH-7501-61	FC522-25	8	Spring
10	BH-7507-06	FA2230-12	4	Clevis
11	BH-7530-94	FC5706-7	4	Pivot
12			4	1/4" Hairpin Cotter

Item	SVI part#	OEM#	Req	Description
13	BH-7503-94	FC5708-2	4	Air Cylinder "D" Shaped
14	BH-7501-56	FC5224-39	4	Elbow
15	BH-7516-59	FC548-5	8	Antifriction Washer
16	BH-7501-45	FC548	4	Cable Sheave
17	BH-7516-76	FC553-10	4	Rubber Cover
18	BH-7517-31	FC5706-16	8	Cross Member Slider
19	BH-7501-44	FC5224-21	4	Sheave Pin



Item	SVI part#	OEM#	Req	Description
1	BH-7515-04	FA2273-4		Lowering Valve Tube
2	BH-7514-20	FA3203-1		Air Valve (left position)
3	BH-7515-07	FA2273-7		Air Valve Bracket
4	BH-7514-20	FA2273-8		Air Valve (right position) or FA3203

Not Pictured

SVI part#	OEM#	Description
BH-7507-09	FA2230-92	"Y" Connector
BH-7543-44	P527-11	3-Way Valve
BH-7514-09	FA3134-12	In-Line Air Filter
BH-7507-07	FA2230-16	3/8" Plunger
BH-7507-04	FA2242-1	Union Tee



SVI has all the supplies needed to keep locking systems for automotive lifts in proper working order. For bulk air line tubing, air line connectors, valves, air cylinders, lock latches, springs and all other components, SVI is your answer. Over 20,000 lift repair parts and growing.

with "Ready Ship" warehouses in:
Baltimore • Chicago • Los Angeles