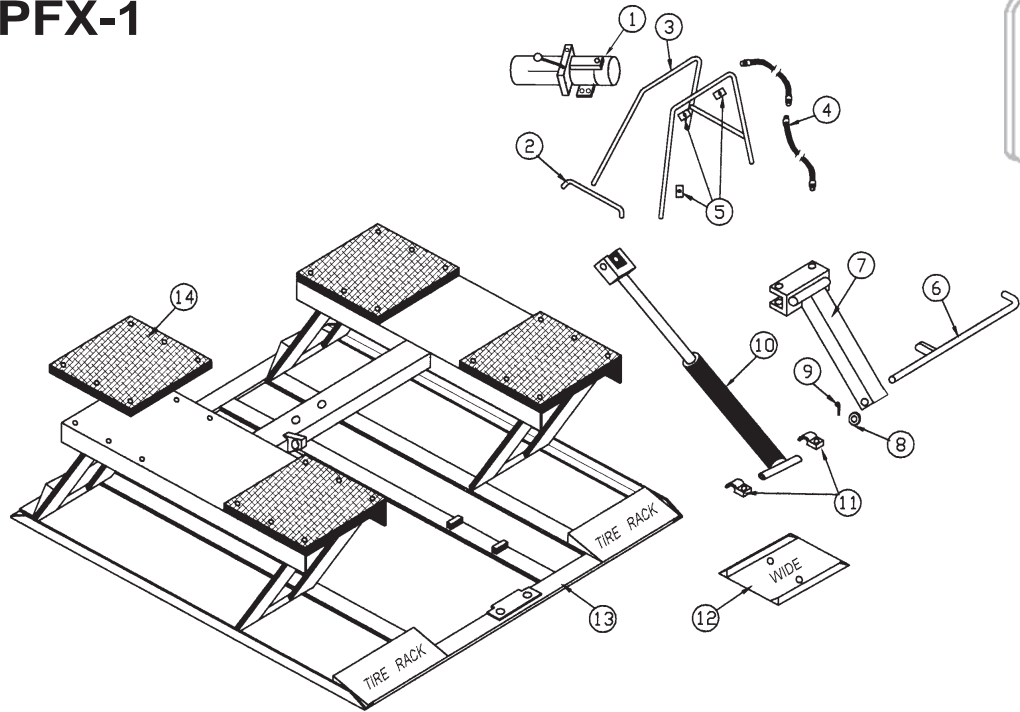


SVI "Direct Fit" brand Lift Repair Parts for Rotary lifts.

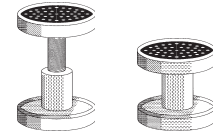
entire contents copyright © 2005 SVI International, Inc.

for lift model PFX-1



Item	SVI part#	OEM#	Req	Description
1	BH-7007-01	P501	1	Power Unit
2	BH-7505-07	FA566-1	2	Support
3	BH-7505-06	FA566-2	2	Stand (half)
4	BH-7512-43	FJ801		Hose
5	call			1/4" - 20 Nut
6	BH-7505-05	FA2191-2	1	Lock Release Bar
7	BH-7505-04	FA2191-1	1	Lock
8	call			Washer
9	F-CP-125-1000			1/8" x 1" Cotter Pin
10	BH-7505-08	FJ2173	1	Hydraulic Cylinder
11	BH-7515-55	FJ294-4	2	Cylinder Clamp
12	BH-9701	SVI Exclusive	1	15" Wide Reach Wheel Spotter
	BH-9702	SVI Exclusive	1	15" Wide Reach Dual Spotter
13	BH-7505-09	FJ2196	1	Base
14	BH-7505-10	FJ2195-3	1	Rubber Pad (right front)
	BH-7505-13	FJ2196-20		Rubber Pad

For a more comprehensive listing of pad style lift height extensions visit SVI's exclusive Height Extension Catalog.



If you own or work on lifts, you owe it to yourself to insist on only pure SVI "Direct Fit" brand lift repair parts.

Rotary made so many different models and there is only one company that can keep all the parts straight.
SVI is your answer!