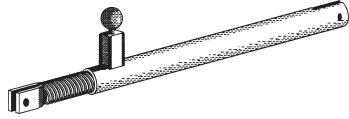


SVI "Direct Fit" brand Lift Repair Parts for Rotary lifts.

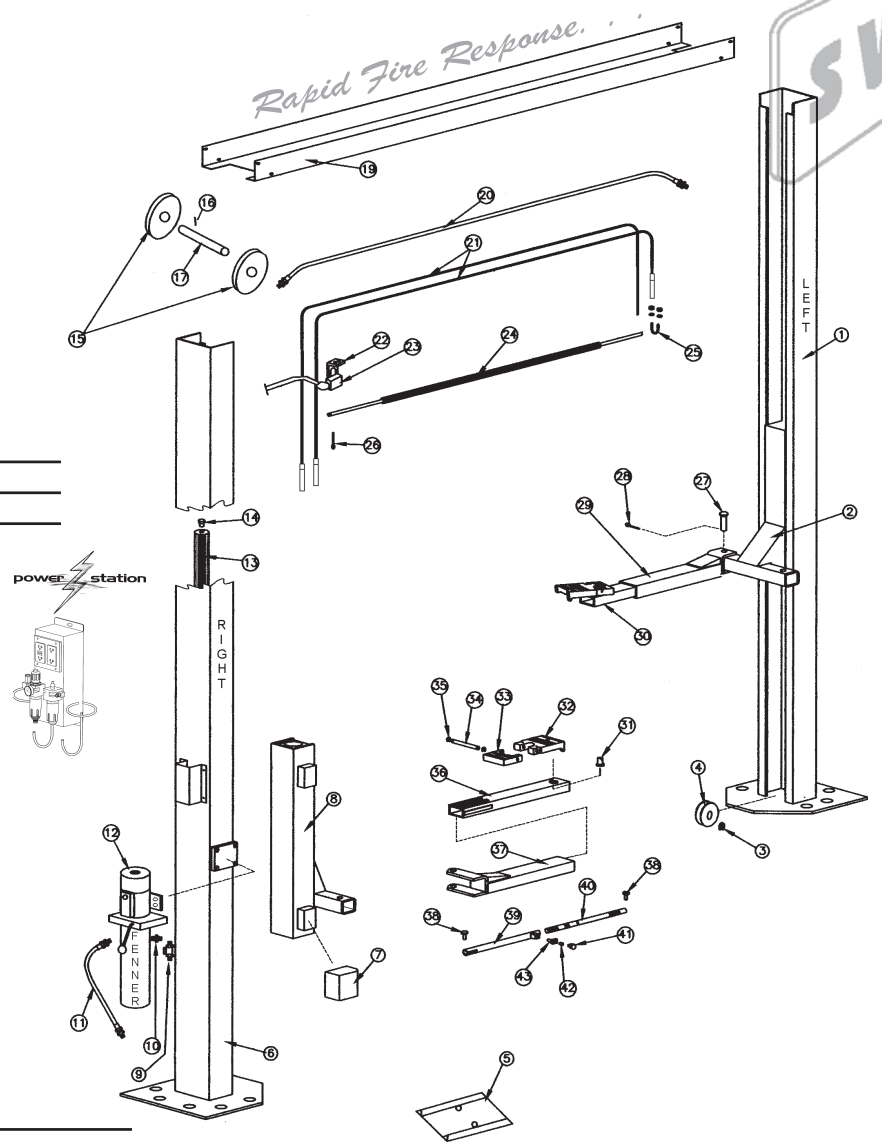
entire contents copyright © 2005 SVI International, Inc.

for lift model DCOA7



Arm Restraint Individual Complete Assembly

SVI part #	OEM#	Description
BH-7503-42	FJ7590	Front Arm Restraint Assy
BH-7508-01R	FJ7523	Rear Arm Restraint Assy



For all the carriage lock parts see index for "Two Post Carriage Locks"

Item	SVI part #	OEM #	Req	Description
1	call for details	FJ7583	1	Left Column
2	BH-7535-10	FJ7581	1	Left Carriage
3	BH-7500-62A	41411		Ext. Retaining Ring 5304-75
4	BH-7500-50	SVI Exclusive	6	Sheave, Steel
	BH-7500-50N	FJ7116-1	6	Sheave, Nylon
5	BH-9701	FF729	1	15" Wide Reach Wheel Spotter
	BH-9702		1	15" Wide Reach Dual Spotter
6	call for details	FJ7584	1	Right Column
7	BH-7510-03	FJ7360	8	Slider Block (cup style)
8	call for details	FJ7580	1	Right Carriage
9	BH-7535-73	FJ7671	1	Tee
10	BH-7535-72	FJ7670	1	Adapter
11	BH-7512-32	FJ818	1	Power Unit Hose
12	BH-7006-01	P602	1	Power Unit
13	BH-7511-03	FJ7311	1	Hydraulic Cylinder
	BH-7511-12T	FJ7311-12T		Cylinder Seal Kit (Texas Hyd)
14	call for details			Bleeder Screw
15	BH-7500-50	SVI Exclusive	6	Sheave, Steel
	BH-7500-50N	FJ7116-1	6	Sheave, Nylon
16	F-CP-125-1500			1/8" x 1-1/2" Cotter Pin
17	BH-7500-69	FJ7582-6	2	Sheave Shaft
19	BH-7535-11	FJ7582-1	1	Overhead Form
20	BH-7512-09	FJ819	1	Hydraulic Hose
21	BH-7500-26	FJ7591	2	Equalizer Cable
22	BH-7503-08	FJ7613-1	1	Overhead Limit Switch Bracket
23	BH-7535-35	FJ7613	1	Limit Switch

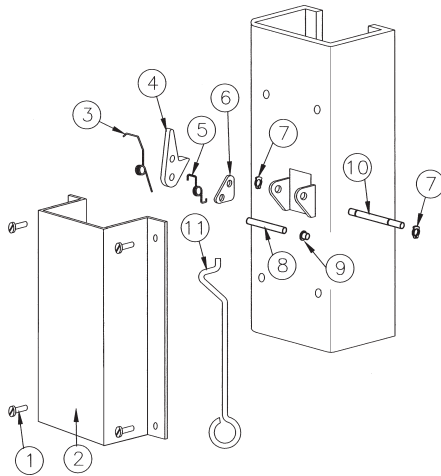
Item	SVI part #	OEM #	Req	Description
24	BH-7508-34	FJ7613-2	1	Overhead Limit Bar
25	BH-7506-43	FJ7448-1	1	U-Bolt
26	F-CP-125-1000			1/8" x 1" Cotter Pin
27	BH-7535-17	FJ7593	4	Arm Swivel Pin
28	F-CP-187-2000		4	3/16" x 2" Cotter Pin
29	BH-7503-63	FJ7587-1	1	Rear Left Outer Swing Arm
	BH-7503-64	FJ7588-1	1	Rear Right Outer Swing Arm
30	BH-7535-13	FJ7587-7	2	Rear Inner Swing Arm Kit
31	BH-7502-05	FJ79-6	4	Adapter Swivel Pin
32	BH-9755-20	FJ671-1	4	High Step Ductile Iron Adapter
33	BH-9755-21	FJ671-2	4	Low Step Ductile Iron Adapter
34	BH-9755-22	FJ671-3	4	Adapter Pivot Pin
35	BH-9755-26	FJ671-6	8	Hog Ring Clip
36	BH-7503-44	FJ7585-9	2	Front Inner Swing Arm Kit
37	BH-7503-62	FJ7586-1	1	Front Right Outer Swing Arm
	BH-7503-43	FJ7585-1	1	Front Left Outer Swing Arm
38	BH-7502-03	FJ7359-5	4	Clevis Pin
39	BH-7502-39	FJ7366-1	2	Rear Restraint Outer Tube
	BH-7535-15	FJ7590-1	2	Front Restraint Outer Tube
40	BH-7503-23	FJ7233-27	2	Rear Restraint Inner Bar
	BH-7535-16	FJ7590-3	2	Front Restraint Inner Bar
41	BH-7503-45	FC134-9-10	4	Red Ball
42	BH-7503-46HD	FC134-9-7	4	Arm Restraint Spring
43	BH-7503-47	FJ7233-25	4	Arm Restraint Plunger

All names, numbers, symbols and descriptions are used for reference purposes only. It is not implied that any part listed is the product of these manufacturers; however, some parts may be the actual product of these manufacturers.



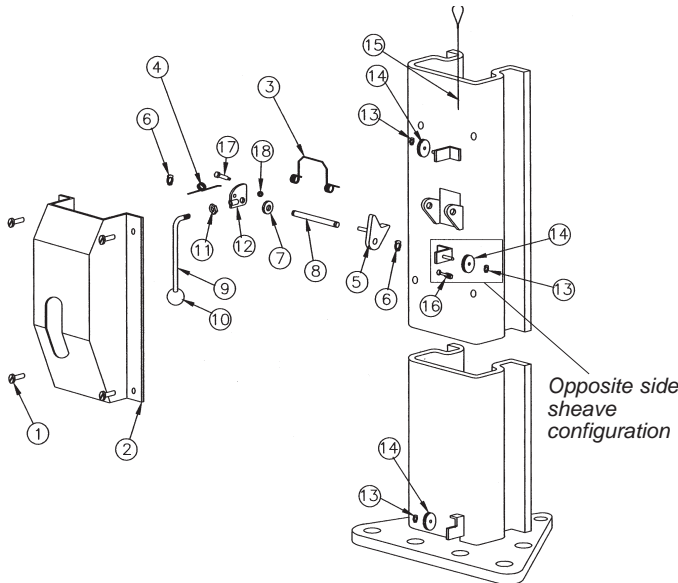
Lock Parts for SPOA7 / DCOA7

Rapid Fire Response



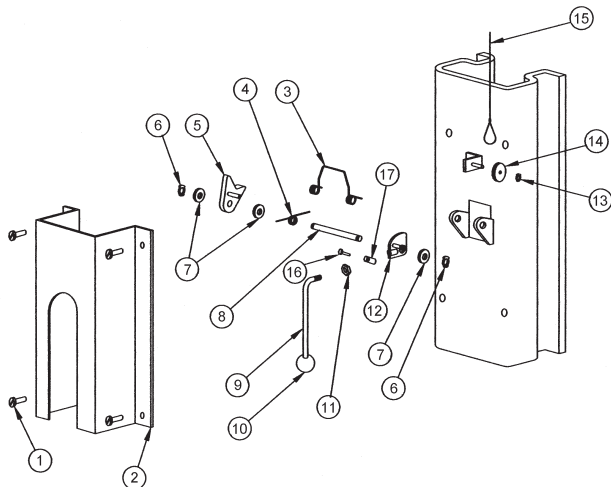
Item	SVI part #	OEM #	Req	Description
1	F-MS-0312-18-0375		8	5/16"-18 x 3/8" Machine Screw
2	BH-7502-50	FJ7451	1	Cover
3	BH-7503-31	FJ7566-10	2	Lock Latch Spring
4	BH-7503-15	FJ7382-8	2	Lock Latch Pawl
5	BH-7503-35	FJ7566-18	2	Spring
6	BH-7503-33	FJ7566-12	2	Plate
7	BH-7500-62A	41411	4	Ext. Retaining Ring 5304-75
8	BH-7503-32	FJ7566-11	2	Pivot Pin
9	BH-7503-34	FJ7566-16	2	Push Nut
10	BH-7503-30	FJ7566-9	2	Latch Shaft
11	BH-7535-07	FJ7566-15	2	Lock Release Handle

Lock Parts for SP7 & SP9



Item	SVI part #	OEM #	Req	Description
1	F-MS-0312-18-0375		4	5/16"-18 x 3/8" Machine Screw
2	BH-7502-51	FJ7452	1	Main Side Cover (slotted)
	BH-7502-50	FJ7451	1	Opposite Side Cover (no slot)
3	BH-7503-10	FJ7382-2	2	Lock Latch Spring
4	BH-7503-16	FJ7382-9	2	Spring
5	BH-7503-14	FJ7382-7	2	Lock Latch Pawl
6	BH-7500-62A	41411	4	Ext. Retaining Ring 5304-75
7	BH-7500-49B	41388	2	3/4" x 1-1/2" Bushing
8	BH-7503-11	FJ7382-3	2	Lock Shaft
9	BH-7503-17	FJ7382-18	1	Lock Release Handle
10	BH-7503-45	FC134-91	1	Red Ball
11	F-JN-0375-16		1	3/8" Jam Nut
12	BH-7503-40	FJ7594-2	1	Control Plate Main Side
	BH-7503-13	FJ7382-5	1	Control Plate Opposite Side
13	BH-7537-59B	41410	2	Ext. Retaining Ring 5304-37
14	BH-7501-26	FJ7322	2	Lock Cable Sheave
15	BH-7501-24	FJ7594-1	1	Locking Latch Release Cable
16	BH-7535-18	FJ7594-3	1	Latch Cable Adjuster
17	F-SB-0250-20-1000		2	1/4"-20 x 1" Shoulder Bolt
18	F-LN-0250-20		2	1/4"-20 Lock Nut

Lock Parts for SP88 & SPO88



Item	SVI part #	OEM #	Req	Description
1	F-MS-0312-18-0375			5/16"-18 x 3/8" Machine Screw
2	BH-7502-51	FJ7452	1	Main Side Cover (slotted)
	BH-7502-50	FJ7451	1	Opposite Side Cover (no slot)
3	BH-7503-10	FJ7382-2	2	Lock Spring
4	BH-7503-16	FJ7382-9	2	Spring
5	BH-7503-14	FJ7382-7	2	Lock Latch Pawl
6	BH-7500-62A			Ext. Retaining Ring 5304-75
7	BH-7500-49B	41388	2	3/4" x 1-1/2" Bushing
8	BH-7503-11	FJ7382-3	2	Lock Shaft
9	BH-7503-17	FJ7382-18	1	Lock Release Handle
10	BH-7503-45	FC134-9-10	1	Red Ball
11	F-JN-0375-16			3/8" Jam Nut
12	BH-7503-40	FJ7594-2	2	Control Plate
13	BH-7535-59B	41410		Ext. Retaining Ring 5304-37
14	BH-7501-26	FJ7322	2	Lock Cable Sheave
15	BH-7501-24	FJ7594-1	1	Locking Latch Release Cable
16	F-HC-0250-20-0500		2	1/4"-20 X 1/2" Hex Capscrew
17	BH-7535-18	FJ7594-3	2	Cable Adjuster