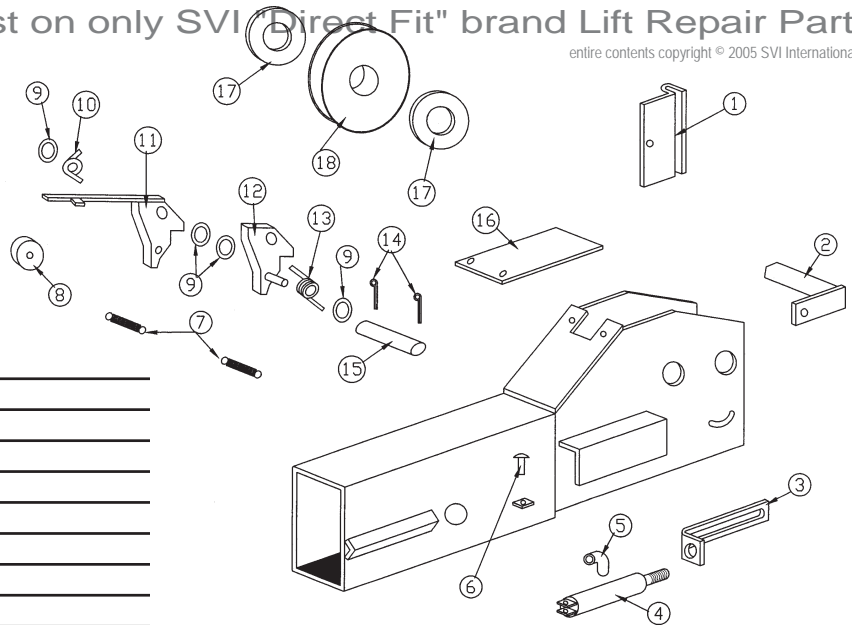


Insist on only SVI "Direct Fit" brand Lift Repair Parts.

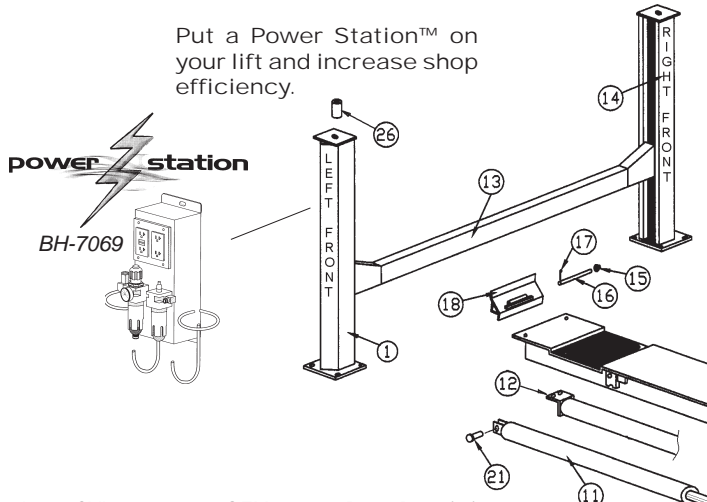
entire contents copyright © 2005 SVI International, Inc.

for lift model AR90 lock detail



Item	SVI part#	OEM#	Req	Description
1	BH-7508-99	FC5301-97		Slider
2	BH-7501-39	FC522-34	4	Sheave Pin
3	BH-7501-53B	FA2230-9	4	Slotted Bracket
4	BH-7501-53	FA2230-1	4	Air Cylinder
5	BH-7501-56	FC5224-39		Elbow 1/4" Tube
6	BH-7507-06	FA2230-12	4	Clevis Pin
7	BH-7501-61	FC522-25	8	Spring
8	BH-7517-24	FC553-21	4	Slack Cable Roller
9	BH-7510-15	FC5301-98		Washer
10		FC5224-53	4	Right Spring
11	BH-7501-54R	FC553-19	2	RH Slack Cable Lock
	BH-7501-54	FC553-20	2	LH Slack Cable Lock
12	BH-7501-60A	FC522-8	2	RH Lock Pawl
	BH-7501-60	FC522-17	2	LH Lock Pawl
	BH-7501-60/60A		1	RH & LH Lock Pawl Kit

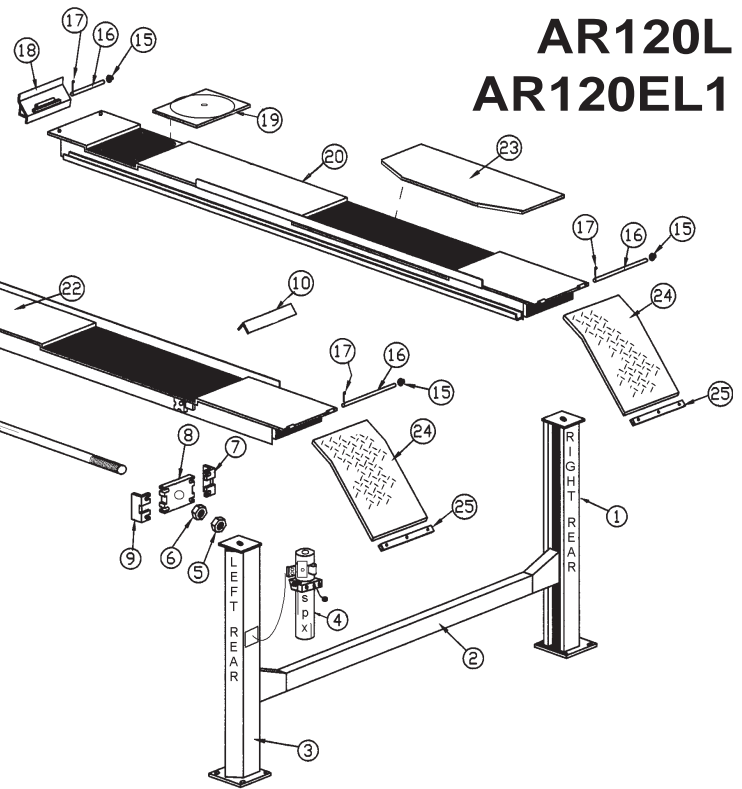
Item	SVI part#	OEM#	Req	Description
13	BH-7501-59	FC5224-62	4	Left Spring
14	F-CP-125-1250			1/8" x 1-1/4" Cotter Pin
15	BH-7501-55	FC5224-17	4	Lock Shaft
16	BH-7516-76	FC553-10	4	Rubber Cover
17	BH-7501-42S	FC522-69	8	Antifriction Washer .060 Thick
18	BH-7501-4	FC522-5		Sheave



Put a Power Station™ on your lift and increase shop efficiency.

for lift models AR120S AR120L AR120EL1

Item	SVI part#	OEM#	Req	Description
1	BH-7516-58	FC5449	2	Column
2	BH-7509-46	FC5309-1	1	Rear Cross Member
3	BH-7516-26	FC5450	1	Power Unit Column
4	BH-7006-01		1	Power Unit
5	F-JN-1375-07	40773	1	1-3/8" - 6 Jam Nut
6	F-HN-1375-07	40771	1	1-3/8" - 6 Hex Nut
7	BH-7501-89	FC543-2	1	Right Cable Retainer
8	BH-7529-20	FC543	1	Cable Plate
9	BH-7501-90	FC543-3	1	Left Cable Retainer
10	BH-7508-89	FC320		Wheel Chock
11	BH-7517-18	FC5342	1	Hydraulic Cylinder (Clevis Style)
12	BH-7501-62	FC542	1	Hydraulic Cylinder (2 Bolt Style)
13	BH-7509-09	FC5288-1	1	Front Cross Member
14	BH-7516-55	FC5448	1	Column
15	BH-7525-70	FC5179-4		5/8" Push Nut
16	BH-7517-78	FC134-99	2	Hinge Pin
17	F-CP-156-1000	41202		5/32" x 1" Cotter Pin
18	BH-7508-75	FC134-13	2	Wheel Stop Assembly
19	BA1504-06A	FC5102-01	2	Solid Runway Insert
	BA-1600-01		2	Turnplate Set 13-1/4" x 14"



Item	SVI part#	OEM#	Req	Description
20	call for details		1	Right Runway
22	call for details		1	Left Runway
23	see breakdown			Rear Slip Plate Parts
24		FC134-65	2	Approach Ramp
25	BH-7508-78	FC134-33	2	20" Ramp Slide
26	BH-7509-04	FC5287	4	Spacer

All names, numbers, symbols and descriptions are used for reference purposes only. It is not implied that any part listed is the product of these manufacturers; however, some parts may be the actual product of these manufacturers.

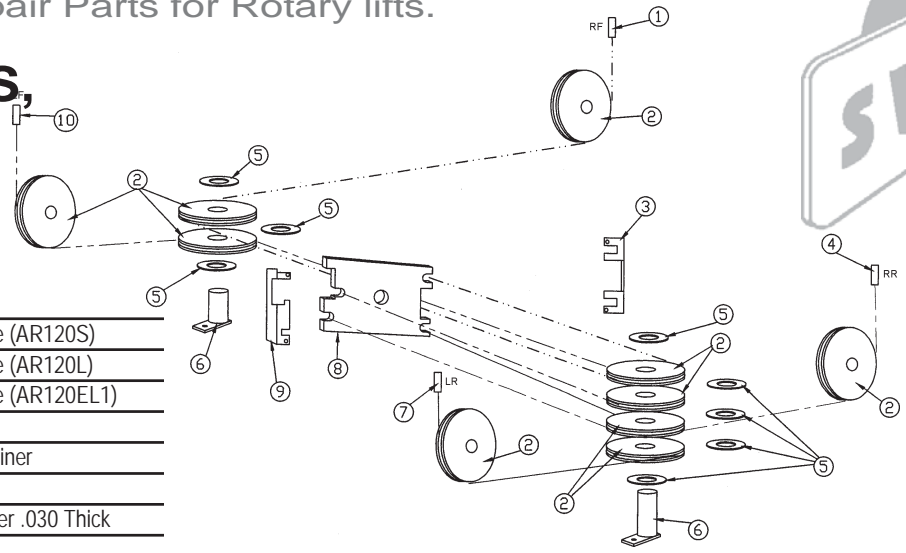
SVI "Direct Fit" brand Lift Repair Parts for Rotary lifts.

entire contents copyright © 2005 SVI International, Inc.

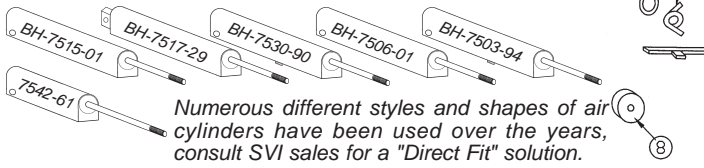
for lift models AR120S, AR120L & AR120EL1

cable detail

Item	SVI part#	OEM#	Req	Description
1	BH-7501-48	FC5647-1	1	Right Front Cable (AR120S)
	BH-7501-08	FC547	1	Right Front Cable (AR120L)
	BH-7501-31	FC5617	1	Right Front Cable (AR120EL1)
2	BH-7501-45	FC548	10	Sheave
3	BH-7501-89	FC543-2	1	Right Cable Retainer
4	BH-7501-06	FC545	1	Right Rear Cable
5	BH-7517-19	FC5346-2	7	Antifriction Washer .030 Thick
6	BH-7501-47	FC555-1	2	Sheave Pin
7	BH-7501-05	FC544	1	Left Rear Cable
8	BH-7529-20	FC543	1	Cable Plate
9	BH-7501-90	FC543-3	1	Left Cable Retainer
10	BH-7501-49	FC5647-2	1	Left Front Cable (AR120S)
	BH-7501-07	FC546	1	Left Front Cable (AR120L)
	BH-7501-31A	FC5618	1	Left Front Cable (AR120EL1)

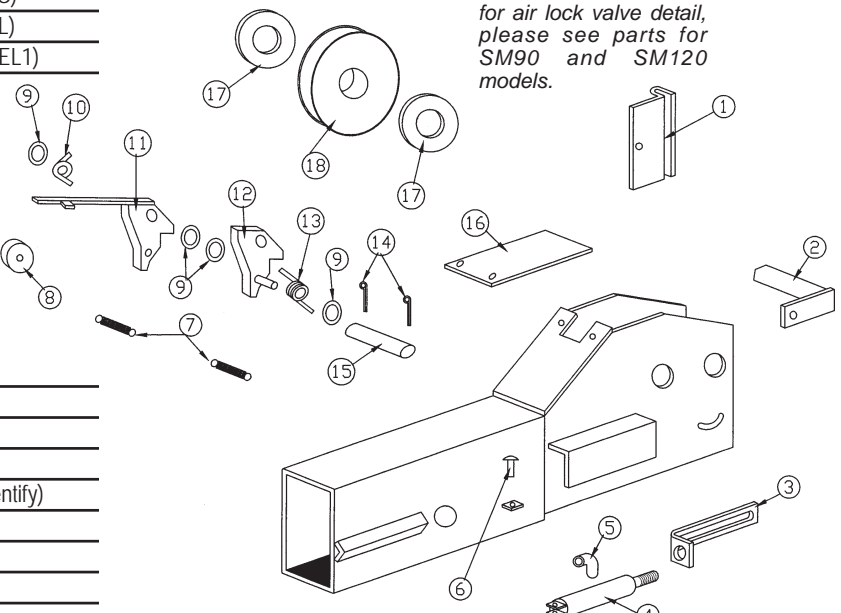


lock detail



Item	SVI part#	OEM#	Req	Description
1	BH-7508-99	FC5301-97		Slider
2	BH-7501-44	FC5224-21	4	Sheave Pin
3	BH-7501-53B	FA2230-9	4	Slotted Bracket
4	BH-7501-53	FA2230-1	4	Air Cylinder (properly identify)
5	BH-7501-56	FC5224-39		Elbow 1/4" Tube
6	BH-7507-06	FA2230-12	4	Clevis Pin
7	BH-7501-61	FC522-25	8	Spring
8	BH-7517-24	FC553-21	4	Slack Cable Roller
9	BH-7510-15	FC5301-98		Washer
10		FC5224-53	4	Right Spring
11	BH-7501-54R	FC553-19	2	RH Slack Cable Lock
	BH-7501-54	FC553-20	2	LH Slack Cable Lock
12	BH-7501-60A	FC522-8	2	RH Lock Pawl
	BH-7501-60	FC522-17	2	LH Lock Pawl
	BH-7501-60/60A		1	RH & LH Lock Pawl Kit

for air lock valve detail, please see parts for SM90 and SM120 models.



Item	SVI part#	OEM#	Req	Description
13	BH-7501-59	FC5224-62	4	Left Spring
14	F-CP-125-1250			1/8" x 1-1/4" Cotter Pin
15	BH-7501-55	FC5224-17	4	Lock Shaft
16	BH-7516-76	FC553-10	4	Rubber Cover
17	BH-7516-59	FC548-5	8	Antifriction Washer .060 Thick
18	BH-7501-45	FC548		Sheave

for lift models AR90 & AR120 series

Item	SVI part#	OEM#	Req	Description
1	BA-1590-13	FC5190-13	2	Lock Pin
2	BA-1590-16	FC5190-16	1	Slip Plate
3	BA-1590-06	FC5190-6-1	3	Ball Retainer Cage w/Felt Wiper
	BA1590-07	FC5190-7	108	Roller Ball
4	BA-1590-20	FC5190-20	3	Felt Wiper

