

BH-7077-02-1

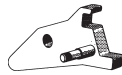
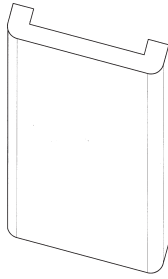
Insist on only SVI "Direct Fit" brand Lift Repair Parts.

entire contents copyright © 2005 SVI International, Inc.

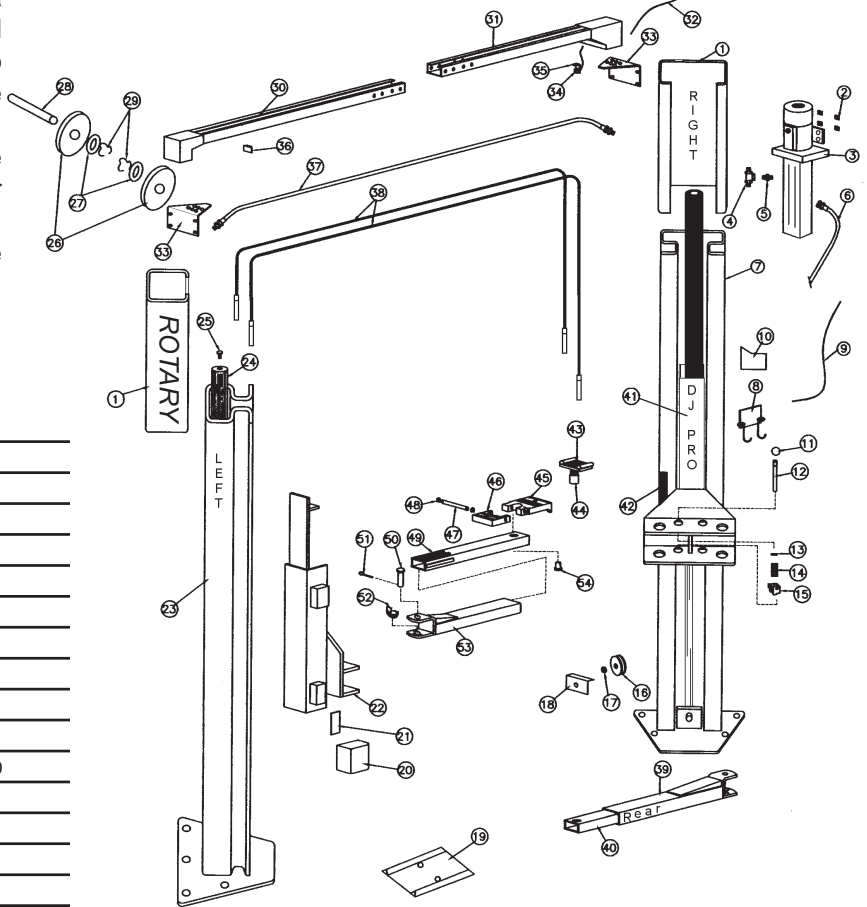
doorjammerPRO

for lift model A8i

For better all around vehicle protection nothing beats a doorjammerPRO. Install one today and put an end to the denting and dinging done to your customer's doors. Makes the service tech more efficient because it is easier to get in and out of vehicles. Don't be held accountable for dents and dings.



For all the carriage lock parts see index for "Two Post Carriage Locks"



Item	SVI part#	OEM#	Req	Description
1	BH-7528-91	N410	2	Column Extension
2	BH-7520-03	P1164-3	4	Vibration Dampener
3	BH-7520-04	P1392	1	Power Unit 1Ø
4	BH-7519-21	N331	1	Tee
5	BH-7519-22	N332	1	O-Ring Fitting Extension
6	BH-7519-23	N368	1	Power Unit Hose
7	call for details	N750	1	Right Column
8	BH-7500-93	FA5162	1	Air Tool Bracket
9	BH-7527-97	FA7180-43	1	Control Cable
10	BH-7509-91	FA928	1	Wiring Chase
11	BH-7508-20	FJ7985-1	4	Arm Restraint Release Loop
12	BH-7528-07	N121-1	4	Arm Restraint Pin
13	BH-7528-06	N119-3	4	Arm Restraint Retaining Pin
14	BH-7535-58	FJ7656-2	4	Arm Restraint Spring
15	BH-7508-17	FJ7449	4	Arm Restraint Engage Gear
16	BH-7530-01	SVI Exclusive	6	Sheave, Steel
	BH-7530-01N	N377	6	Sheave, Nylon
17	BH-7500-62A	41411		Ext. Retaining Ring 5304-75
18	BH-7502-33	N119-1	2	Debris Shield
19	BH-9701	SVI Exclusive	1	15" Wide Reach Wheel Spotter
	BH-9702	SVI Exclusive	1	15" Wide Reach Dual Spotter
20	BH-7510-03	FJ7360	8	Slider Block (cup style)
21	BH-7528-04	N115		Slider Block Shim (as needed)
22	call for details	N820	2	Carriage
23	call for details	N750	1	Right Column
24	BH-7545-14	N346	2	Hydraulic Cylinder
25	call for details		2	Bleeder Screw
26	BH-7530-01	SVI Exclusive	6	Sheave, Steel
	BH-7530-01N	N377	6	Sheave, Nylon
27	BH-7500-49B	41388	4	Spacer 1-1/2" x .045 thick
28	BH-7500-68	FJ7444-8	2	Sheave Shaft
29	BH-7500-62A	41411		Ext. Retaining Ring 5304-75
30	BH-7545-50	N437-1	1	Left Overhead Crossbeam
31	BH-7545-51	N438-1	1	Right Overhead Crossbeam
32	BH-7527-98	FA7180-46	1	Photosensor Extension Cable 2'
33	BH-7545-07	N439	2	Mounting Bracket
34	BH-7528-83	N428	1	Photosensor
35	BH-7528-84	N428-1	1	Photosensor Bracket
36	BH-7528-84A	N428-2	1	Photosensor Reflector
37	BH-7519-24	N369	1	Overhead Hose
	BH-7519-25	N371	1	Overhead Hose (EH-1 & EH-2)
38	BH-7500-22	FJ7449	2	Equalizer Cable
	BH-7534-95	FJ7545	2	Equalizer Cable (EH-1)
	BH-7534-96	FJ7546	2	Equalizer Cable (EH-2)
39	BH-7545-33	N2153-1	2	Outer Rear Swing Arm

Item	SVI part#	OEM#	Req	Description
40	BH-7545-25	N2153-2	2	Inner Rear Swing Arm
	BH-7545-25C	N2160-1	2	Inner Rear Swing Arm Kit
41	BH-7077-02-1	SVI Exclusive	1	doorjammerPRO impact protection
42	BH-7077-01	FJ7391-1	2	doorjammerJR 18" cut-down strip
43	BH-7536-92P	FJ6158-4	4	Rubber Pad only
44	BH-7536-96	FJ6182	4	Rubber Pad Adapter Base
45	BH-9755-20	FJ671-1	4	High Step Ductile Iron Adapter
46	BH-9755-21	FJ671-2	4	Low Step Ductile Iron Adapter
47	BH-9755-22	FJ671-3	4	Adapter Pivot Pin
48	BH-9755-26	FJ671-6	8	Hog Ring Clip
49	BH-7545-32	N2152-2	2	Inner Front Swing Arm
	BH-7545-32C	N2159-1	2	Inner Front Swing Arm Kit
50	BH-7505-14	FJ7838	4	Arm Swivel Pin
51	F-CP-187-2000	41250	4	3/16" x 2" Cotter Pin
52	BH-7508-16A	SVI Exclusive	4	Arm Restraint Gear (adjustable)
	BH-7508-16	FJ7750	4	Arm Restraint Gear (not adjustable)
53	BH-7545-19	N2152-1	2	Front Outer Swing Arm

When relocating lifts SVI has everything to meet your anchoring needs including the Titen HD. This anchor provides more pull out strength than conventional wedge style anchors.

Titen HD's are removeable, which means you don't have to drill through the concrete or as deep.

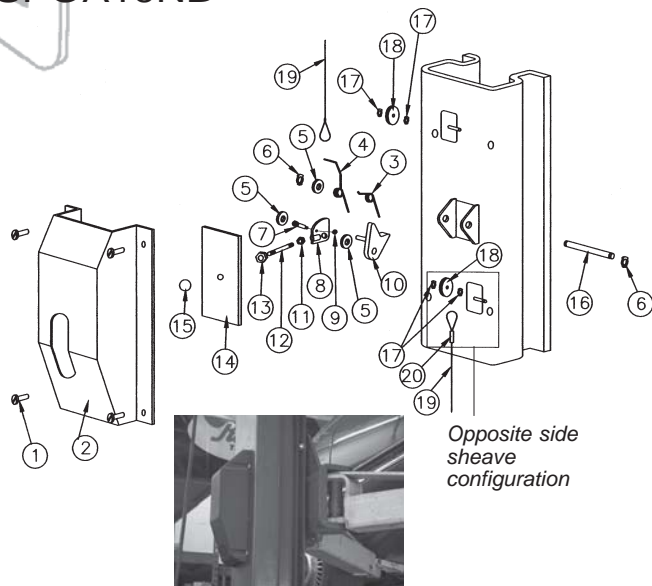
For all your anchoring needs . . .

SVI is certainly your answer!



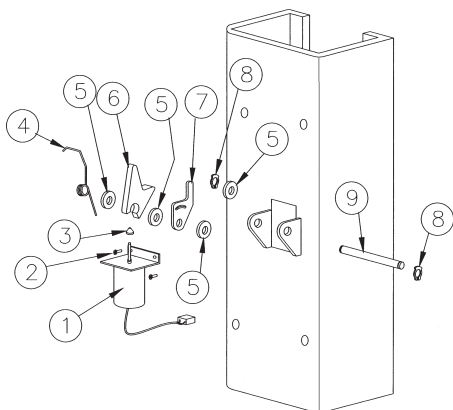
All names, numbers, symbols and descriptions are used for reference purposes only. It is not implied that any part listed is the product of these manufacturers; however, some parts may be the actual product of these manufacturers.

Lock Parts for SPO10, SPOA10 & SPOA10NB



Item	SVI part #	OEM #	Req	Description
1	F-MS-0312-18-0375		4	5/16"-18 x 3/8" Machine Screw
2	BH-7502-51	FJ7452	1	Main Side Cover (slotted)
	BH-7502-50	FJ7451	1	Opposite Side Cover (no slot)
3	BH-7503-16	FJ7382-9	1	Spring
4	BH-7503-31	FJ7566-10	2	Lock Latch Spring
5	BH-7500-49B	41388	8	3/4" x 1-1/2" Bushing
6	BH-7500-62A	41411	4	Ext. Retaining Ring 5304-75
7	F-SB-0312-20-1250	40220	2	5/16"-20 X 1-1/4" Shoulder Bolt
8	BH-7503-40	FJ7594-2	2	Control Plate
9	F-LN-0250-20		2	1/4"-20 Lock Nut
10	BH-7519-66	N616	2	Lock Pawl
11	F-JN-0375-16			3/8"-16 Jam Nut
12	BH-7503-17	FJ7382-18	1	Lock Release Handle
13	F-JN-0500-13			1/2"-13 Jam Nut
14	BH-7519-61	N617	1	Cover
15	BH-7503-45	FC134-91	1	Red Ball
16	BH-7502-34	FJ7382-34	2	Lock Shaft
17	BH-7537-59B	41410	4	Ext. Retaining Ring 5304-37
18	BH-7501-26	FJ7322		Lock Cable Sheave
19	BH-7501-24	FJ7595-1	1	Locking Latch Release Cable
20	BH-7504-53	N63-1		Cable Clamp

Lock Parts for A8i, A10i & S10i

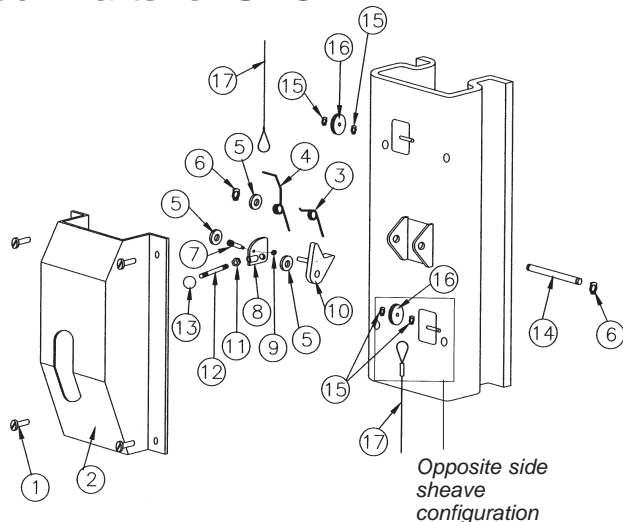


Item	SVI part #	OEM #	Req	Description
1	BH-7519-62	N613	1	Lock Solenoid
2	F-MS-0312-XX-0375		2	5/16" x 3/8" Machine Screw
3	BH-7519-63	N613-1	1	Pivot
4	BH-7519-65	N613-2	1	Lock Spring
5	BH-7500-49B	41388	4	Spacer 1-1/2" x .045 thick
6	BH-7519-66	N616	1	Lock Pawl
7	BH-7519-64	N613-3	1	Control Plate
8	BH-7500-62A	41411	2	Ext. Retaining Ring 5304-75
9	BH-7502-34	FJ7382-34	1	Lock Pawl Shaft

Rapid Fire Response. . .

SVI is your answer!

Lock Parts for SPO12



Item	SVI part #	OEM #	Req	Description
1	F-MS-0312-18-0375		4	5/16"-18 x 3/8" Machine Screw
2	BH-7502-51	FJ7452	1	Main Side Cover (slotted)
	BH-7502-50	FJ7451	1	Opposite Side Cover (no slot)
3	BH-7503-16	FJ7382-9	1	Spring
4	BH-7503-31	FJ7566-10	2	Lock Latch Spring
5	BH-7500-49B	41388	8	3/4" x 1-1/2" Bushing
6	BH-7500-62A	41411	4	Ext. Retaining Ring 5304-75
7	F-SB-0250-20-1250		2	1/4"-20 X 1-1/4" Shoulder Bolt
8	BH-7503-13	FJ7382-5	2	Control Plate
9	F-LN-0250-20		2	1/4"-20 Lock Nut
10	BH-7528-01	N165-1	2	Lock Pawl
11	F-JN-0375-16			3/8"-16 Jam Nut
12	BH-7503-17	FJ7382-18	1	Lock Release Handle
13	BH-7503-45	FC134-91	1	Red Ball
14	BH-7502-34	FJ7382-34	2	Lock Shaft
15	BH-7537-59B	41410	4	Ext. Retaining Ring 5304-37
16	BH-7501-26	FJ7322		Lock Cable Sheave
17	BH-7501-24	FJ7595-1	1	Locking Latch Release Cable