

Bolt-on compliance

Patented multi-position safety leg / non-rotator satisfies the needs of O.S.H.A. inspectors and industry requirements.

Concerned lift owners and operators have always wanted more locking positions. O.S.H.A. inspectors keep pushing for more safety related compliance. SVI reacts yet again with a fantastic new product that satisfies everyone.

The new "MPTR" series of safety legs from SVI can be installed in minutes on virtually all single post lifts that currently use a round style safety leg / non-rotator.

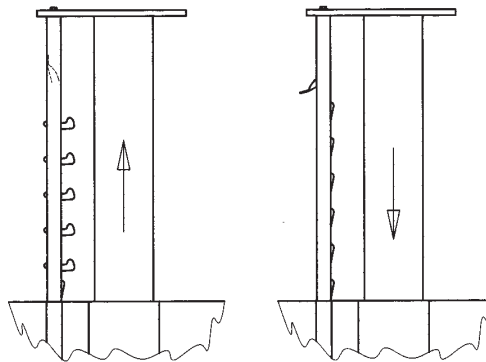
MPTR's offer multiple locking positions in 6" increments throughout the lift's stroke, convenience of single point top release and automatic reset for reuse each time the lift is fully lowered.

In the past, when lift owners have been required or just simply wanted to upgrade their lifts with multiple position locking mechanisms, the solution was expensive. MPTR's take the cost and the time out of multi-lock upgrades and will quickly satisfy an O.S.H.A. inspector's requirements.

- Easy to Install
- No Air Required
- Bolt-On Compliance
- Fits Single-Post Models
- Multiple Lock Positions
- Single-Point Release
- Can Easily Re-Engage Locks If You Want to Lower a Few Feet and Keep Working
- Only from SVI
- Cost-Saving Upgrade
- Increases Safety
- Patented

An SVI Exclusive

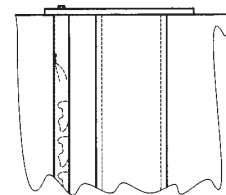
How it works



As the lift is raised, locking dogs engage one by one every six inches on the way up.

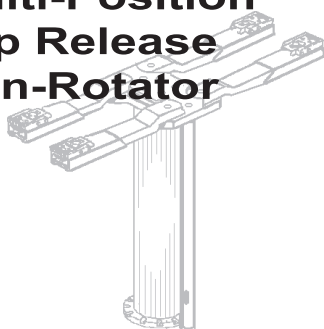
When it is time to lower the lift, simply pull down on the handle to disengage all the lock dogs.

As the lift is lowered to full descent, the locks automatically reset for the next use.



MPTR

**Multi-Position
Top Release
Non-Rotator**



DISTRIBUTED BY:

**Three Ready-Ship
Warehouses**

- BALTIMORE
- CHICAGO
- LOS ANGELES