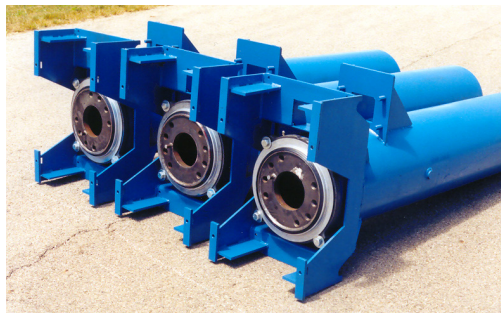


Built-to-Last!

Additional gussets are used to strengthen the overall structure and where applicable, heavier steel plates are used to provide a solid product that is truly *built-to-last*.

12-5/8" replacement cylinder assemblies for Rotary

(see back page for details)



For many years, SVI has been producing replacement **12-5/8" cylinder assemblies** for Rotary lifts. These cylinder assemblies are found in facilities engaged in heavy duty vehicle lifting. They have been long since discontinued by the OE and SVI stepped in to help you save tons of money for lift owners. Why should an entire lift be replaced when just one part is a problem? **Call today for more details.**

Meets applicable 3:1 and 5:1 ratio industry design standards such as ANSI and others.

- Heavy Duty Construction
- Totally Repairable
- Priced Right
- EnviroKote or Fiberglass Coating Available
- "Direct Fit" Replacement
- Complete Lifts are Also Available. Save Yourself and the Taxpayers Money!
- Transit Specified
- Multiple or Advanced Single Lip Sealing Technology Available
- 16 to 32 RMS Plunger Finish
- Industrial Chrome Plated Piston Option
- American-Made
- Fast Shipping
- 100% Quality Controlled

Locking Systems Available:

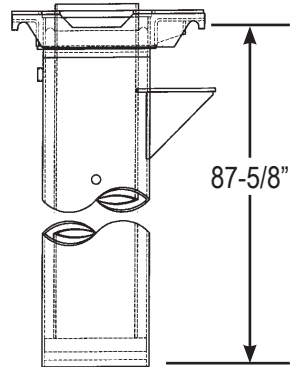
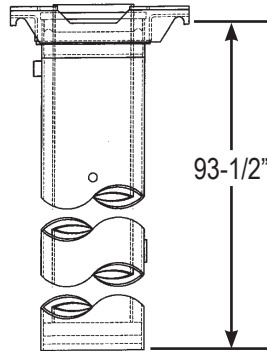
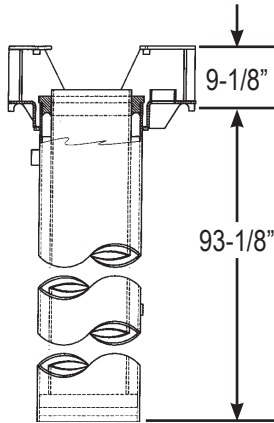
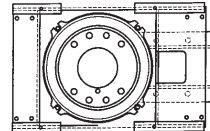
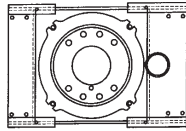
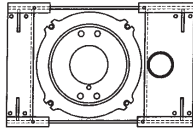
- Multi-Position Strut Style
- Multi-Position Solid Steel Round Style
- Round Gravity-Operated Manual Release Style

Cylinders Also Available for:

- Gilbarco • Globe
- Joyce • Weaver
- Ford Smith • Western

- BALTIMORE
- CHICAGO
- LOS ANGELES

12-5/8" Front Moveables Pictured • 12-5/8" Rear Sections Also Available
For Use with 250 psi and 350 psi Applications



BH-9771-72

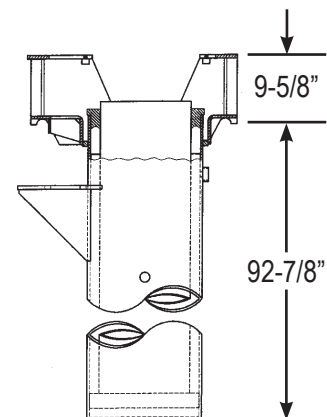
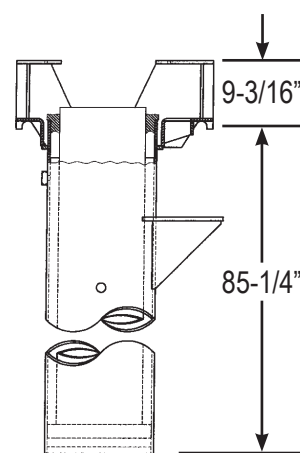
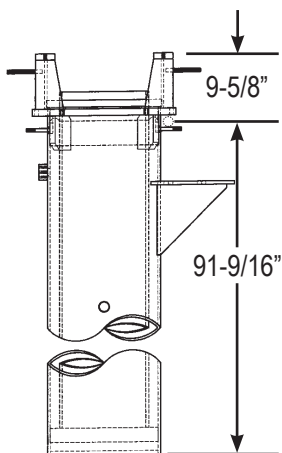
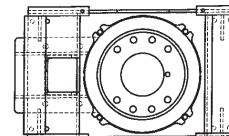
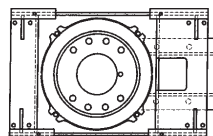
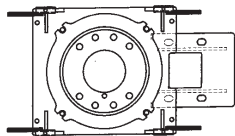
- 12-5/8" diameter
- Recessed Mount
- Capacity: 25,000 to 35,000 lbs.
- 64-1/2" Stroke

BH-9771-74

- 12-5/8" diameter
- Flush Mount
- Capacity: 25,000 to 35,000 lbs.
- 64-1/2" Stroke

BH-9771-76

- 12-5/8" diameter
- Flush Mount
- Capacity: 25,000 to 35,000 lbs.
- 60" Stroke



BH-9776-22R

- 12-5/8" diameter
- Recessed Mount
- Capacity: 25,000 to 35,000 lbs.
- 60" Stroke

BH-9776-50R

- 12-5/8" diameter
- Recessed Mount
- Capacity: 25,000 to 35,000 lbs.
- 57" Stroke

BH-9776-52R

- 12-5/8" diameter
- Recessed Mount
- Capacity: 25,000 to 35,000 lbs.
- 67" Stroke