

Automotive Lift

R E P A I R P A R T S



SVI International, Inc.
(800) 321-8173 • fax: (800) 899-1784
155 Harvestore Drive • DeKalb, IL 60115
www.sviinternational.com

BALTIMORE • CHICAGO • LOS ANGELES

Repair Parts for: **Globe & Ford Smith**

Repair Parts for:
Globe & Ford Smith
LR9400G

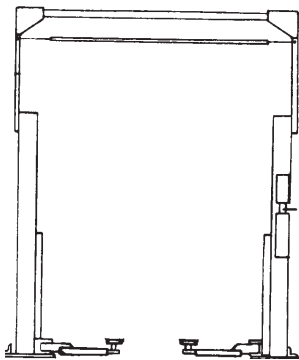
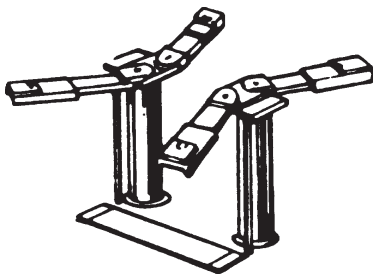


Table of Contents

for Globe & Ford Smith

In-Ground and Surface-Mount Lifts

Lift Packing Cross Reference Information..... 2-6

Single Post Lifts7
Models: FS-10A & H

Twin Post Side by Side Lifts..... 8-9
Models: F-27, F-28, FS-27, FS-28,
FSN-28, FSR-28

Twin Post Fore and Aft Car and Truck Lifts10-11
Models: MP-28A & E, MP-810A & E

Twin Post Fore and Aft Truck and Bus Lifts 12-13
Models: MP-210A & E, SHMP-210A & E,
SHMP-310A & E, SHMP-310EDR

Fixed Piston Lifts (12-5/8") for Truck and Bus Lifts14
Models: SHRS-212E, D-SH-12E, MP-10-12-10E,
MP-1012E, SHMP-1012E

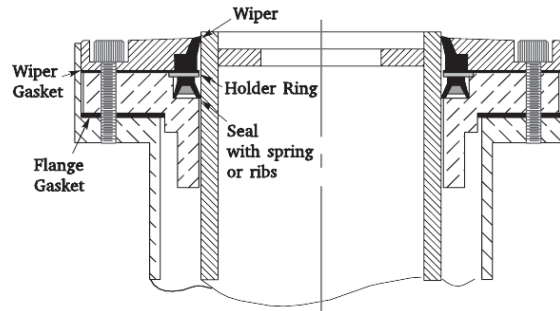
Oil Control Valves and Air/Oil Tanks.....15

Two Post Surface-Mount Lifts16
Models: AFO7, AFO7A and EH, AFO9, 9A, EH

[BALTIMORE • CHICAGO • LOS ANGELES]
(800) 321-8173 • fax: (800) 899-1784
www.sviinternational.com



Lift Packing Cross Reference



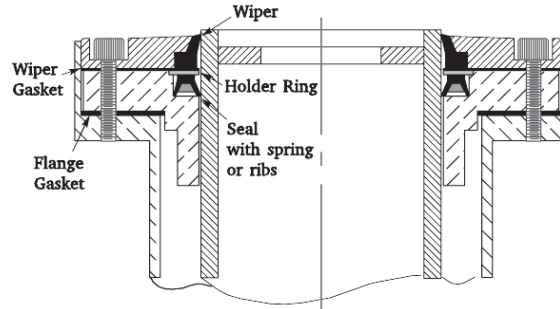
7-1/2"
Seals

U-Cup Style Pictured

SVI Lift Packing Kit	Ref. OEM Kit No.	Reference Information	Plunger Diameter	Contents and Descriptions SVI Lift Packing Kits
BH-1736	A14434	MP-27 & MP-127 Fore & Aft Two Post Hoist	7-1/2"	2 - 8-3/4" x 7-1/2" Neo Fab Vees 1 - 8-3/4" x 7-1/2" Bottom Adapter 1 - Gasket 1 - Felt Wiper 1 - O'ring 6 - Springs
BH-1738	S-77	SR, F-27, Type 3-5 Two Post SR-27 Type 78, SR-36 Str.	7-1/2"	6 - 8-1/2" x 7-1/2" Synthetic Vees (302X751) 2 - Gaskets (B15018-310) Old Style 2 - Gaskets (B15220-310) KIT PACKS BOTH POSTS Optional: BH-1780-02 Rubber Wiper (335X7)
BH-1739X	U70 + W74	SR-27 Type 7, 71, 72, 73	7-1/2"	1 - 9-1/2" x 7-1/2" Synthetic U Cup (323X7) 2 - Gaskets (B15015-310) 1 - Wiper (335X7)
BH-1771X	U71 + W74	SR-27 Type 1, 2, 74, 76, 77, 78, 700, 707, FS & FS-27 Type 706, SR-ER, F-77, SER-78, Type 713, S-7 Type 75-79, F-27 Type 4, 701, 702, 709, 710, V-7 Type 708	7-1/2"	1 - 9-1/2" x 7-1/2" Synthetic UCup (323X7) 2 - Gaskets (B15015-310) 1 - Gasket (B15210-308) 2 - Gaskets (B15018-310) Old Style 1 - Wiper (335X7)
BH-1779X	U73 + W74	SR-78, FS-27 Type 719, 720, 721, V-7 Type 722, ROR-278	7-1/2"	1 - 9-1/2" x 7-1/2" Synthetic U Cup (323X7) 1 - Gasket (B37453) 1 - Gasket (B37446) 1 - Wiper (335X7)
BH-1780XU	UW-73	Universal For all 7-1/2" Diameter Plungers with U Packing	7-1/2"	1 - 9-1/2" x 7-1/2" Synthetic U Cup (323X7) 2 - Gaskets (B15015-310) 2 - Gaskets (B15018-310) Old Style 2 - Gaskets (B15220-310) 1 - Gasket (B15210-308) 1 - Gasket (B37453) 1 - Gasket (B37446) 1 - Wiper (335X7)

Please note: Some of the older leather style packings may also be available. Call SVI for details.

Lift Packing Cross Reference



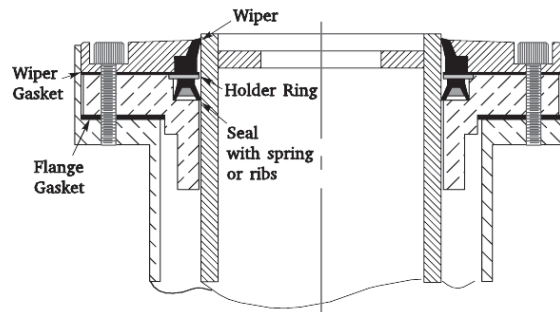
U-Cup Style Pictured

**7-1/2" & 8-1/2"
Seals**

SVI Lift Packing Kit	Ref. OEM Kit No.	Reference Information	Plunger Diameter	Contents and Descriptions SVI Lift Packing Kits
BH-1786	Q70	SR-78, FS-27, Type 715, SER-78 Type 716, EF-77	7-1/2"	1 - Quad Ring 1 - Wiper Ring (B33165-2) 1 - Gasket
BH-1742	C-10	1928-30, 1931 Standard	8-1/2"	1 - 10-1/8" X Solid x 1-1/2" x 1/4" Leather cup 1 - Felt Wiper (288)
BH-1743	C-11	1942-46 Standard Twin Post	8-1/2"	1 - 10-1/8" x 8-1/8" x 1-1/4" Leather Cup 1 - Gasket (79X A8125-310)
BH-1744X	S87 + W85	P-28 and SR-28 Types 83, 86, 87 S-8 Type 84 Twin Post	8-1/2"	6 - 9-1/2" x 8-1/2" Rubber Vees 2 - Top and Bottom Adapters 2 - Gaskets (B15108-310) Old Style 2 - Gaskets (B15220-310) 2 - Wipers <u>KIT PACKS BOTH POSTS</u>
BH-1745	UC-14	1941-1942 Superseal	8-1/2"	2 - 10-1/2" x 8-1/2" Synthetic U's (291 323X8) 1 - 10-1/8" x 8-1/8" x 1-1/4" Leather Cup
BH-1746X	U81 + W85	SR, S-8, Type 82, 98, 105, P-28 and SR-28, Types 8, 81, 85, F-8, V-8, PSER, PB6036, SH, "W"	8-1/2"	1 - 10-1/2" x 8-1/2" Ribbed U (323X8) 2 - Gaskets (B15018-310) Old Style 1 - Gasket (B15220-308) 2 - Gaskets (B15220-310) 1 - Wiper (335X8)
BH-1746SP	U81 + W85	Spring Style SR, S-8, Type 82, 98, 105, P-28 and SR-28, Types 8, 81, 85, F-8, V-8, PSER, PB6036, SH, "W"	8-1/2"	1 - 10-1/2" x 8-1/2" Synthetic U (323X8) 1 - Spreader Spring 2 - Gaskets (B15018-310) Old Style 1 - Gasket (B15220-308) 2 - Gaskets (B15220-310) 1 - Wiper (335X8)
BH-1788X	U81 + W85	SR-28 (1951), Rear SR-78, Front SR-810 & P-28 (Type 92), FH, SH, V-8, AS, BS, FB-8, BS, ROR-278, FS-28 Side by Side	8-1/2"	1 - 10-1/2" x 8-1/2" Ribbed U (323X8) 1 - Gasket (B37444) 1 - Gasket (B37446) 1 - Wiper (335X8)



Lift Packing Cross Reference

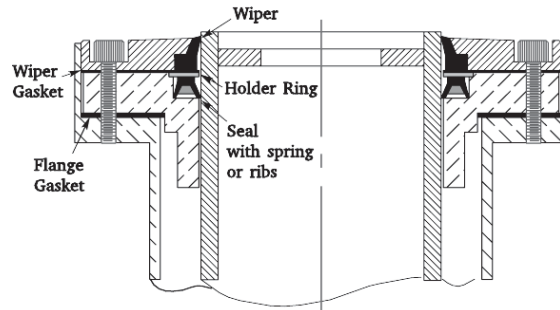


U-Cup Style Pictured

8-1/2" & 10-5/8"
Seals

SVI Lift Packing Kit	Ref. OEM Kit No.	Reference Information	Plunger Diameter	Contents and Descriptions SVI Lift Packing Kits
BH-1788SP	U81 + W85	Spring Style SR-28 (1951), Rear SR-78, Front SR-810 & P-28 (Type 92), FH, SH, V-8, AS, BS, FB-8, BS, ROR-278, FS-28 Side by Side	8-1/2"	1 - 10-1/2" x 8-1/2" Synthetic U (323X8) 1 - Spreader Spring 1 - Gasket (B37444) 1 - Gasket (B37446) 1 - Wiper (335X8)
BH-1782XU	UW-81	Universal for all 8-1/2" Diameter Plungers with U Packing	8-1/2"	1 - 10-1/2" x 8-1/2" Ribbed U (323X8) 2 - Gaskets (B15018-310) Old Style 1 - Gasket (B15220-308) 2 - Gaskets (B15220-310) 1 - Gasket (B37444) 1 - Gasket (B37446) 1 - Wiper (335X8)
BH-1782XUU USA Dist. Only	UW81	Universal Uni-Seal Kit for 8-1/2" Diameter	8-1/2"	1 - 8-1/2" Uniseal (Seal & Wiper) Gaskets from BH-1782XU
BH-1782SP	UW-81	Spring Style Universal for all 8-1/2" Diameter Plungers with U Packing	8-1/2"	1 - 10-1/2" x 8-1/2" Synthetic U (323X8) 1 - Spreader Spring 2 - Gaskets (B15018-310) Old Style 1 - Gasket (B15220-308) 2 - Gaskets (B15220-310) 1 - Gasket (B37444) 1 - Gasket (B37446) 1 - Wiper (335X8)
BH-1789	Q73	SR, Type 108SER	8-1/2"	1 - Quad Ring 1 - Synthetic Wiper (B33165-1) 1 - Gasket (B33166)
BH-1791	C-12	1946-1947 Standard Twin Post	8-1/2"	1 - 10-1/8" x 8-1/8" x 1-1/4" Leather Cup 1 - Gasket (B15020-310)
BH-1794	C-13 C-14	1948 -15, -13 to -22 except -20	8-1/2"	1 - 10-1/8" x 8-1/8" x 1-1/4" Leather Cup 1 - Gasket (B15020-310) 1 - Gasket (B15018-310) Old Style
BH-1747X	U100 or U101 + W-104	ER-210, SR810 Types 3 & 15, Full & Semi Hydraulic, FS-10, PFW10AS, P10AS, R1010BS	10-5/8"	1 - 12-5/8" x 10-5/8" Ribbed U Cup 2 - Gaskets (B15237-310) 2 - Gaskets (B15237-308) 1 - Wiper Seal (293 335X10)

Lift Packing Cross Reference



10-5/8"
Seals

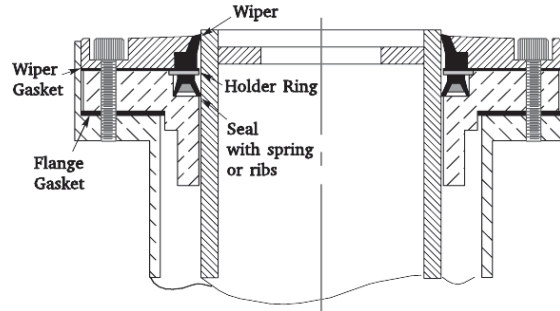
U-Cup Style Pictured

SVI Lift Packing Kit	Ref. OEM Kit No.	Reference Information	Plunger Diameter	Contents and Descriptions SVI Lift Packing Kits
BH-1747SP	U100 or U101 + W-104	Spring Style ER-210, SR810 Types 3 & 15, Full & Semi Hydraulic, FS-10, PFW10AS, P10AS, R1010BS	10-5/8"	1 - 12-5/8" x 10-5/8" Synthetic U Cup 1 - Spreader Spring 2 - Gaskets (B15237-310) 2 - Gaskets (B15237-308) 1 - Wiper Seal (293 335X10)
BH-1792	Q77, MP710	Full & Semi Hydraulic using 10-5/8" Quad Ring	10-5/8"	1 - Quad Ring 1 - Synthetic Wiper (33165-3)
BH-1795X	U102 + W-104	Full & Semi Hydraulic Type 10-75, 76, 10-78 through 10-94	10-5/8"	1 - 12-5/8" x 10-5/8" Ribbed U Cup 1 - Gaskets (B35992) 2 - Gaskets (B35052) 1 - Wiper Seal (293 335X10)
BH-1795SP	U102 + W-104	Spring Style Full & Semi Hydraulic Type 10-75, 76, 10-78 through 10-94	10-5/8"	1 - 12-5/8" x 10-5/8" Synthetic U Cup 1 - Spreader Spring 1 - Gaskets (B35992) 2 - Gaskets (B35052) 1 - Wiper Seal (293 335X10)
BH-1797X	UP-100 + W104	Pacific Globe F10 & Rear SR810, Serial numbers starting with 2L, PFS10ASR	10-5/8"	1 - 12-5/8" x 10-5/8" Ribbed U Cup 2 - Gaskets (B15243-308) 1 - Wiper Seal (293 335X10)
BH-1797SP	UP-100 + W104	Spring Style Pacific Globe F10 & Rear SR810, Serial numbers starting with 2L, PFS10ASR	10-5/8"	1 - 12-5/8" x 10-5/8" Synthetic U Cup 1 - Spreader Spring 2 - Gaskets (B15243-308) 1 - Wiper Seal (293 335X10)
BH-1798XU	UW-102	Universal for all 10-5/8" Diameter Plungers with U Packing	10-5/8"	1 - 12-5/8" x 10-5/8" Ribbed U Cup 2 - Gaskets (B15237-310) 2 - Gaskets (B15237-308) 1 - Gasket (B35992) 2 - Gaskets (B35052) 2 - Gaskets (B15243-308) 1 - Wiper Seal (293 335X10)
BH-1798XUU USA Dist. Only	UW-102	Universal for all 10-5/8" Diameter Plungers with U Packing	10-5/8"	1 - 10-5/8" Uniseal (Seal & Wiper) Gaskets from BH-1798XU

Hold Down Rings for all 10-5/8" U Cup style packings are available. Order BH-9420-14 (Metal) or BH-9420-14L (2L series)



Lift Packing Cross Reference



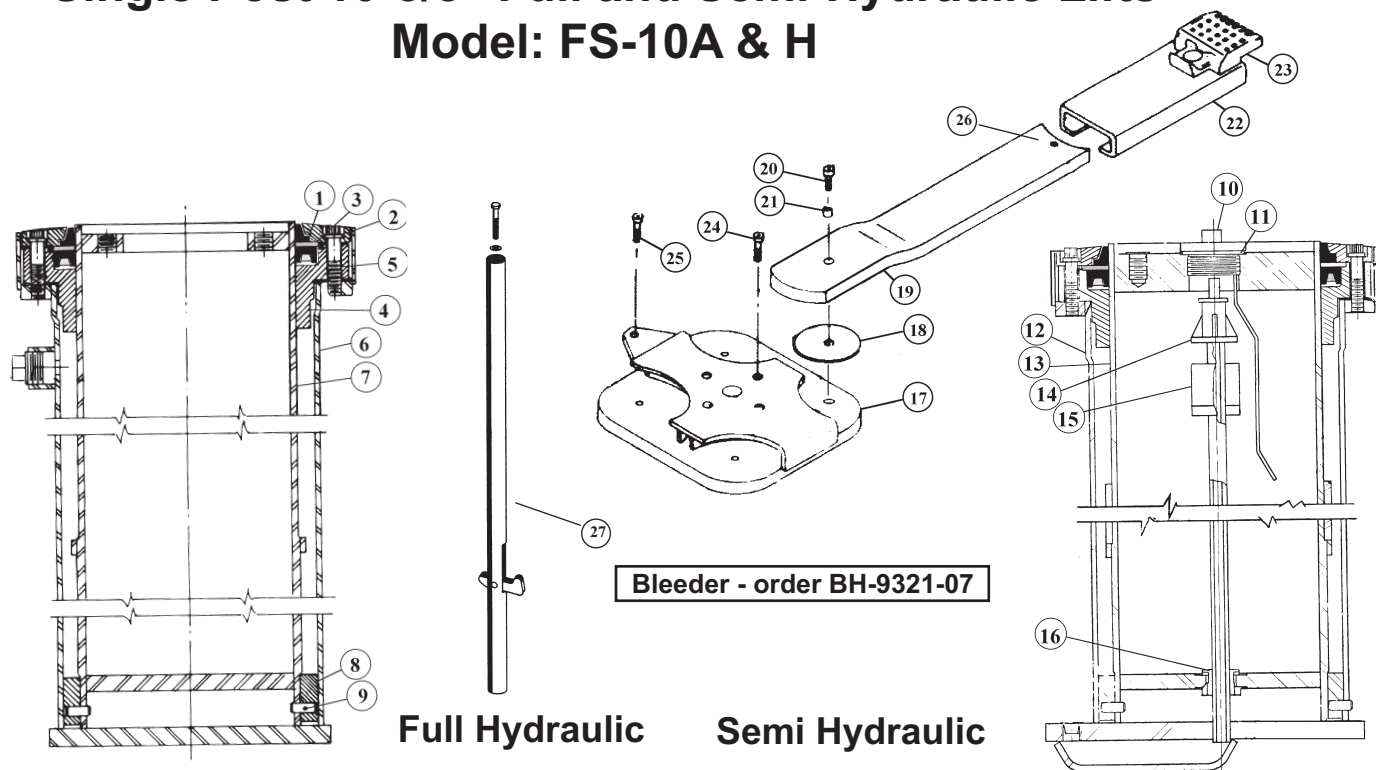
U-Cup Style Pictured

10-5/8" & 12-5/8"
Seals

SVI Lift Packing Kit	Ref. OEM Kit No.	Reference Information	Plunger Diameter	Contents and Descriptions SVI Lift Packing Kits
BH-1798SP	UW-102	Spring Style Universal for all 10-5/8" Diameter Plungers with U Packing	10-5/8"	1 - 12-5/8" x 10-5/8" Synthetic U Cup 1 - Spreader Spring 2 - Gaskets (B15237-310) 2 - Gaskets (B15237-308) 1 - Gasket (B35992) 2 - Gaskets (B35052) 2 - Gaskets (B15243-308) 1 - Wiper Seal (293 335X10)
BH-1709X	UW-121	for all 12-5/8" Truck & Bus Hoists	12-5/8"	1 - 14-7/8" x 12-5/8" Ribbed U Cup (323X12) 1 - Gasket 2 - Gaskets (B15256-310) 1 - Wiper Seal (293 323X12)
BH-1709SP	UW-121	Spring Style for all 12-5/8" Truck & Bus Hoists	12-5/8"	1 - 14-7/8" x 12-5/8" Rubber U Cup (323X12) 1 - Spreader Spring 1 - Gasket 2 - Gaskets (B15256-310) 1 - Wiper Seal (293 323X12)
BH-1784	CL415846 CL408101	WAYNE F60686, E6068SLOC, A2520	10-1/2" Nominal	1 - 10-1/2" ID Quad Ring 1 - Wiper (H354500) 1 - Gasket (CL10353)
BH-1772	CL2029-2	WAYNE	10-5/8"	1 - 14-1/2" x 10-9/32 x 1-3/8" x 7/32" Leather Flange with 2 Spring Grooves 1 - 36" x 1/2" Square Felt Wiper 1 - 15-3/4" x 12-7/8" x 1/16" Gasket
BH-1773		WAYNE A6068F	10-5/8"	3 - 11-3/8" x 10-5/8" x 1-1/16" Neo-Fab Vees 1 - Top and 1 Bottom Adapter 1 - 34-1/2" Wiper 1 - 15-1/4" Gasket

Single Post 10-5/8" Full and Semi-Hydraulic Lifts

Model: FS-10A & H

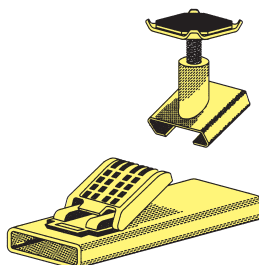


Full Hydraulic

Semi Hydraulic

Item	SVI #	OEM #	Req	Description
1	BH-1798XU	UW102	1	Lift Packing Kit
	BH-1798SP	UW102	1	Spring Style Lift Packing Kit
2	BH-9420-15	B-35054	1	Wiper Seal Cover (Gland) 12 Bolt
3	BH-9420-14	B-35056	1	Holder Ring (Steel)
	BH-9420-14L		1	Holder Ring (for 2L Plungers)
4	BH-9420-16	B-35055	1	Upper Guide Bearing
5	F-SC-0625-11-2750	438XG22	12	Capscrew
6	BH-9420-04	B-35573-6	1	Casing Assembly (Full Hyd.)
7	BH-9420-05	B-35570-12	1	Plunger Assembly (Full Hyd.)
8	BH-9420-08	B-41569	1	Lower Guide Bearing
9	BH-9420-03	359XM1250	1	Spring Pin
10	BH-9420-01	B-41538-1	1	Access Plug/Dipstick New 2"
11	BH-9420-02	204X3	1	Access Plug Gasket 2"
12	BH-9420-06	B-38701-3	1	Casing Assembly (Semi Hyd.)
13	BH-9420-07	B-38702-4	1	Plunger Ass'y (Semi-Hyd.)

Item	SVI #	OEM #	Req	Description
14	BH-9420-17	A-41085	1	Float Stop
15	BH-9420-18	A-39183	1	Float
16	BH-9420-19*	A-43457	1	New Orifice Seals w/o tools
	BH-9420-19A*	A-43457-G01	1	New Style Orifice Kit w/ tools
17	BH-9420-21	C-42876	1	Bolster Assembly
18	BH-9420-23	B-32101-2	4	Wear Washer
19	BH-9420-22	B-42936	4	Arm Assembly
20	F-TC-0625-11-1750	426XG-N14	4	Locking Cap Screw
21	BH-9420	A-40689	4	Arm Bushing/Spacer
22	BH-9420-09	C-34354	4	Sleeve and Adapter Assy.
--	BH-9420-29			Rubber Pad Adapter
23	BH-9420-11	C-34355	4	Lifting Pad only
	F-RP-250-1250	359XH0750	2	Stop Pin
24	F-SC-0875-9-2750	438X122	4	Cap Screw
25	F-SC-0625-11-2500	430XG20	1	Cap Screw
26	BH-9420-10	412XH-008	4	Arm Stop Pin for Sleeve black
	BH-9420-10B		4	Arm Stop Pin for Sleeve silver
27	BH-EL-67	C-43860	1	Non-Rotator
	BH-TR-67	C-43860	1	Top Release Non-Rotator



BH-9420-26
Slip-On Adjustable
Height Extension (SOGPA)
Order Rubber Pad: BH-7225-01
or Rubber Pad Kit: BH-7225-01-4



BH-9420-29
Rubber Pad Adapter
SVI Exclusive



Air/Oil Tanks for Full Hydraulic Lifts
BH-9801-C Bottom Outlet
Add "FG" for Fiberglass Coating

All names, numbers, symbols and descriptions are used for reference purposes only. It is not implied that any part listed is the product of these manufacturers; however, some parts may be the actual product of these manufacturers.

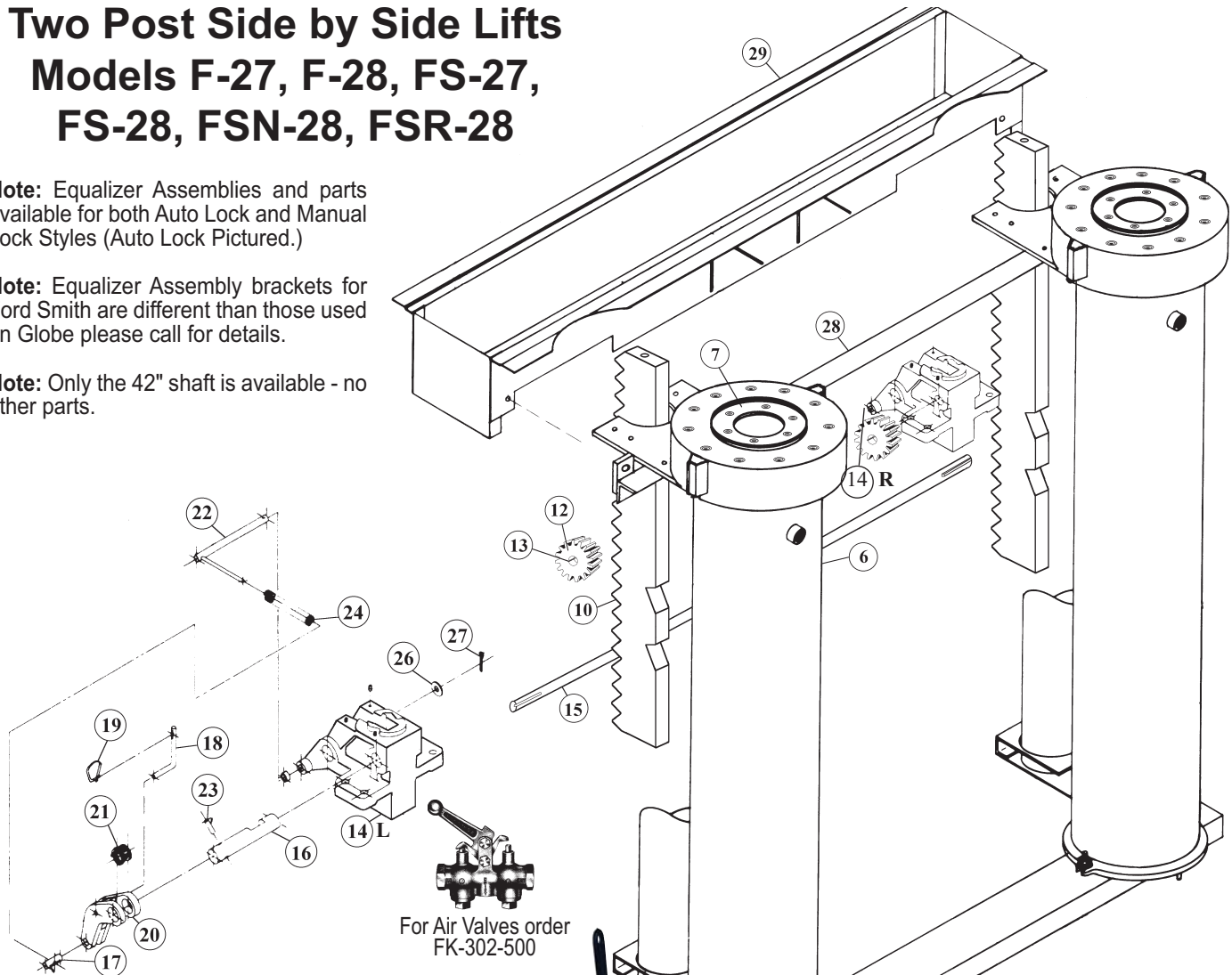


Two Post Side by Side Lifts Models F-27, F-28, FS-27, FS-28, FSN-28, FSR-28

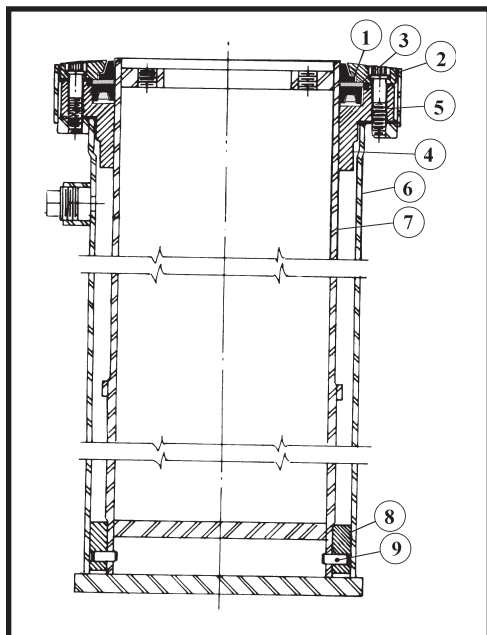
Note: Equalizer Assemblies and parts available for both Auto Lock and Manual Lock Styles (Auto Lock Pictured.)

Note: Equalizer Assembly brackets for Ford Smith are different than those used on Globe please call for details.

Note: Only the 42" shaft is available - no other parts.



Replacement Air/Oil Tanks Available:
For 7-1/2" pistons use the BH-9801 series.
For 8-1/2" pistons use the BH-9802 series.



For Oil Valves order
FK-438, FK-848, or
FK-902

Item No.	SVI Part No.	O.E.M. Part No.	Qty Req	Description
1	BH-1782XU	UW-81	1	Lift Packing Kit *
	BH-1782SP	UW-81	1	Spring Style Lift Packing Kit *
2	BH-9412-90	B-37440	1	Wiper Seal Cover (Gland)
3	BH-9412-91	B-37447	1	Holder Ring
4	BH-9412-92	B-37441	1	Upper Guide Bearing
5	F-SC-0625-11-2750	438XG22	12	Capscrew

* Lift Packing Kits contain seal, wiper, spring (SP kits only), plus all necessary gaskets. Please see pages 2 - 6 for identification information.

Two Post Side by Side Lifts

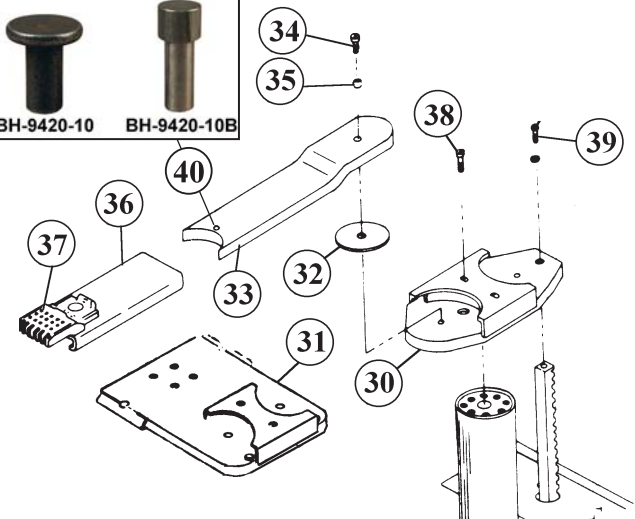
Models F-27, F-28, FS-27, FS-28, FSN-28, FSR-28

Item	SVI #	OEM #	Req.	Descriptions
6	BH-9412-93	B-42976	2	Casing Assembly
7	BH-9412-94	B-37442-13	2	Plunger Assembly
8	BH-9412-95	B-41584	2	Lower Guide Bearing
9	BH-9420-03	359xM1250	2	Spring Pin
10	BH-9409	B42850-1	2	Auto-Lock Rack Bar
	BH-9410 ++	B-39818	2	Manual Lock Rack Bar
12	BH-9411	B-39999	2	Pinion Gear
13	BH-9411-01	B-39089	2	Key 3/8" x 1"
14L	BH-9413-01L	C-42854	1	Left Hand Auto-Lock Housing
14R	BH-9413-01R	C-42840	1	Right Hand Auto-Lock Housing
---	BH-9413-01K			Repair Kit for Auto Lock Eq.
14	BH-9412-01 **	C-41384	2	Manual Lock Cast Iron Housing
15	BH-9412-02	B-33207-7	1	Shaft for 26-1/2" piston centers
	BH-9412-02L		1	Auto Lock Shaft 26-1/2" centers
	BH-9412-03	B-33207-1	1	Shaft for 29-1/2" piston centers
	BH-9412-03L	B-42851-4	1	Auto Lock Shaft 29-1/2" centers
	BH-9412-04	B-33207-4	1	Shaft for 36" piston centers
	BH-9412-04L	B-432851	1	Auto Lock shaft for 36" centers
	BH-9412-05	B-33207-2	1	Shaft for 39" piston centers
	BH-9412-05L		1	Auto Lock shaft for 39" centers
	BH-9412-06	B-33207-3	1	Shaft for 42" piston centers
	BH-9412-06L		1	Auto Lock shaft for 42" centers
	BH-9412-07	B-33207-5	1	Shaft for 46" piston centers
	BH-9412-07L		1	Auto Lock shaft for 46" centers
	BH-9412-08		1	Shaft for 57-1/2" piston centers
	BH-9412-08L	B-42851-2	1	Auto Lock shaft 57-1/2" centers
	BH-9412-09	B33207-6	1	Shaft for 83-1/2" piston centers
	BH-9412-09L	B-42851-1	1	Auto Lock shaft - 83-1/2" centers
	BH-9412-10	B-42851-3	1	Shaft for all 88" piston centers
13-	BH-9412-26 to			Manual Lock Equalizer Ass'y.
15	BH-9412-88			Does not include rack and gears
10-	BH-9412-26C to	S-001743 to		Complete manual lock Equalizer
15	BH-9412-88C	S-003560		Assy. includes racks and gears
13-	BH-9412-26L to		1	Auto Lock Equalizer Assy.
15	BH-9412-88L			Does not include racks and gears
10-	BH-9412-26LC to	S-003769 to	1	Complete Auto Lock Equalizer
15	BH-9412-88LC	S-003822		Assy. includes racks and gears
16	BH-9413-01	A-42838	2	Auto Eq. Lock Shaft
17	BH-9413-02	A-42845	2	Auto Eq. Pin
18	BH-9413-03	A-42843	2	Auto Eq. Push Rod
++	Manual Lock Rack Bars not pictured.			
**	Manual Lock Brackets not pictured. Use with BH-9410 rack bars which have two holes instead of two notches.			

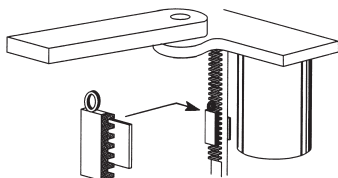
Item	SVI #	OEM #	Req.	Descriptions
19	BH-9413-04	A-42844	2	Auto Eq. Lift Ring
20	BH-9413-05	C-42837	2	Auto Eq. Lock Lever
21	BH-9413-06	A-42847	2	Auto Eq. Torsion Spring
22	BH-9413-07	A-42839	2	Auto Eq. Spring Arm
23	BH-9413-08	916015	2	Groove Pin
24	BH-9413-09	A-42846	2	Compression Spring
26	F-FW-0375-1000	642X10	2	Washer
27	F-CP-125-1000	360XC8	2	Cotter Pin
28	BH-9414-29	B-43409-4	1	Spacer Angle for 29-1/2" centers
	BH-9414-57	B-43409-2	1	Spacer Angle for 57-1/2" centers
	BH-9414-88	B-43409-3	1	Spacer Angle for 88" centers
29	BH-9415-29	B-42984-4	1	Pitform & Cover 29-1/2" centers
	BH-9415-57	B-42984-2	1	Pitform & Cover 57-1/2" centers
	BH-9415-88	B-42984-3	1	Pitform & Cover 88" centers
30	BH-9414-01	C-43288	2	Bolster Assy (FSN-28, FS-28)
31	BH-9414-02	C-43625	2	Bolster Assy (FSR-28)
32	BH-9420-23	B-32101-2	4	Wear Washer
33	BH-9420-22	B-42936	4	Arm Assembly
34	F-TC-0625-11-1750	426XG-N14	4	Locking Cap Screw
35	BH-9420	A-40689	4	Spacer
36	BH-9420-09	C-34354	4	Sleeve and Adapter Ass'y.
--	BH-9420-29			Rubber Pad Adapter
37	BH-9420-11	C-34355	4	Lifting Pad only
38	F-SC-0750-10-2000	438XH-16	8	Socket Head Cap Screw
39	F-LC-0625-11-1750	426XG-N14	6	Locking Cap Screw
40	BH-9420-10	412XH-008	4	Arm Stop Pin for Sleeve black
	BH-9420-10B		4	Arm Stop Pin for Sleeve silver
---	BH-9470-68			Arm Rest. for 89" Plunger Centers



BH-9420-29
Rubber Pad Adapter
SVI Exclusive



Manual Style Rack Bar Locks



Order: BH-9612ML

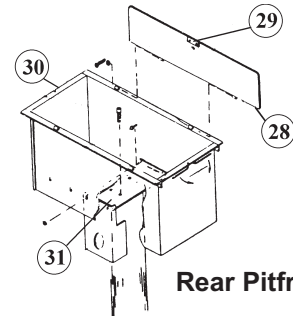
Fits Rack Bars:
BH-9409 & BH-9410

For All Globe
Side-by-Side Lifts

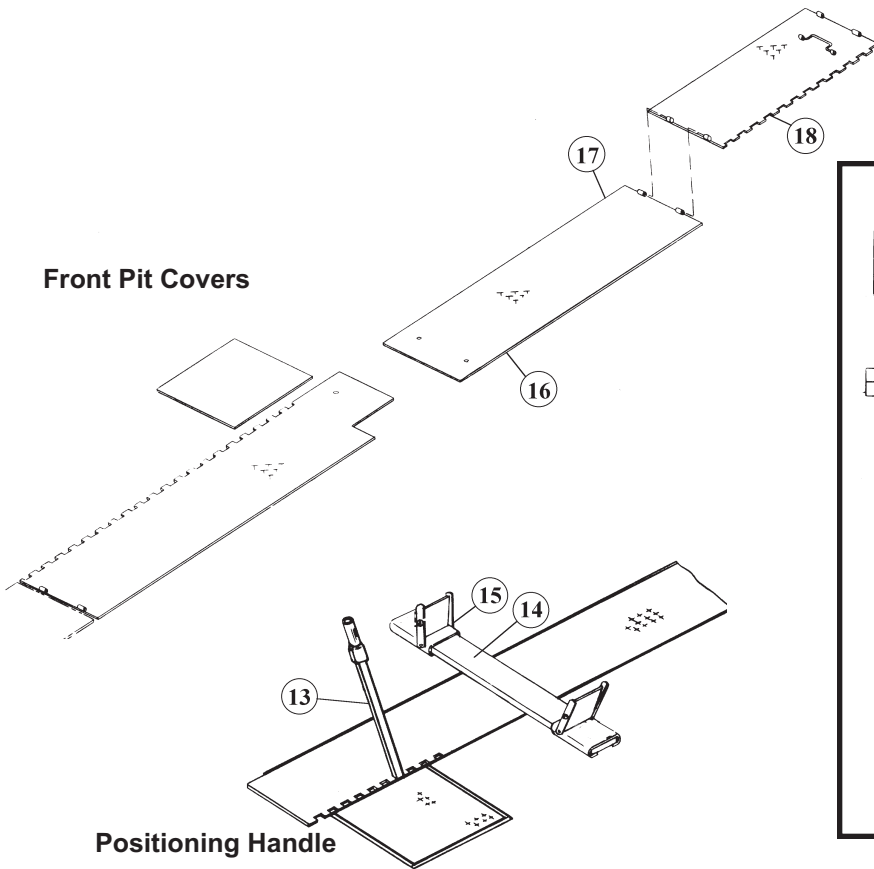
All names, numbers, symbols and descriptions are used for reference purposes only. It is not implied that any part listed is the product of these manufacturers; however, some parts may be the actual product of these manufacturers.



**Twin Post Fore and Aft Lifts
with 8-1/2" Front Moveable Piston
and 8-1/2" or 10-5/8" Rear Piston
Models: MP-28A & E, MP-810A & E**

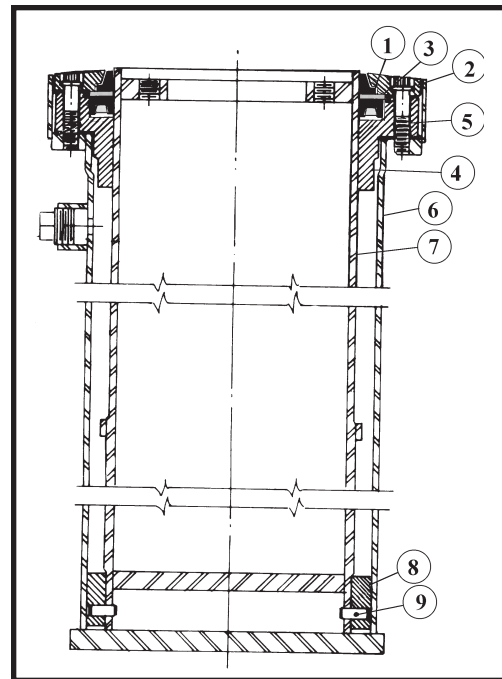


Rear Pitframe

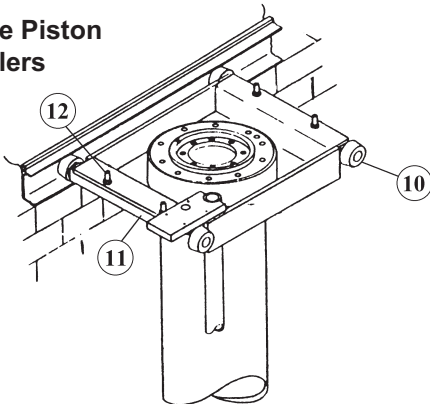


Front Pit Covers

Positioning Handle



**Moveable Piston
Axle Rollers**



Item	SVI #	OEM #	Req.	Description
1	BH-1782XU	UW81	1-2	8-1/2" Lift Packing Kit *
	BH-1782SP	UW81	1-2	Spring Style Lift Pkg. Kit *
	BH-1798XU	UW102	1	10-5/8" Lift Packing Kit *
	BH-1798SP	UW102	1	Spring Style Lift Pkg. Kit *
2	BH-9412-90	B-37440	1-2	8-1/2" Wiper Seal Cover
	BH-9420-15	B-35054	1	10-5/8" Wiper Seal Cover
3	BH-9412-91	B-37447	1-2	8-1/2" Holder Ring
	BH-9420-14	B-35056	1	10-5/8" Holder Ring
4	BH-9412-92	B-37441	1-2	8-1/2" Upper Guide Bearing
	BH-9420-16	B-35055	1	10-5/8" Upper Guide Bearing
5	F-SC-0625-11-2750	438XG22	24	Capscrew

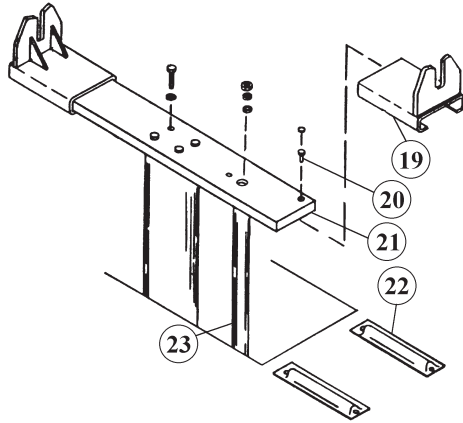
* Lift Packing kit contains seal, wiper, spring (SP kits only), plus all necessary gaskets. Please see pages 2 - 6 for identification information.

Replacement Air/Oil Tanks Available:
For 8-1/2" pistons use the BH-9802 series.
For 10-5/8" piston use the BH-9805 series.

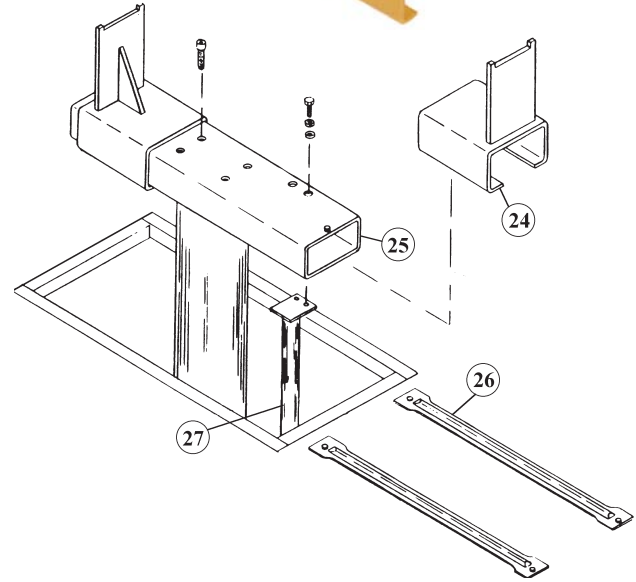
**Twin Post Fore and Aft Lifts
with 8-1/2" Front Moveable Piston
and 8-1/2" or 10-5/8" Rear Piston
Models: MP-28A & E, MP-810A & E**



Optional:
BH-9431-34
Candy Dish
Adapter
Available



Superstructure Attachment Rear MP-28



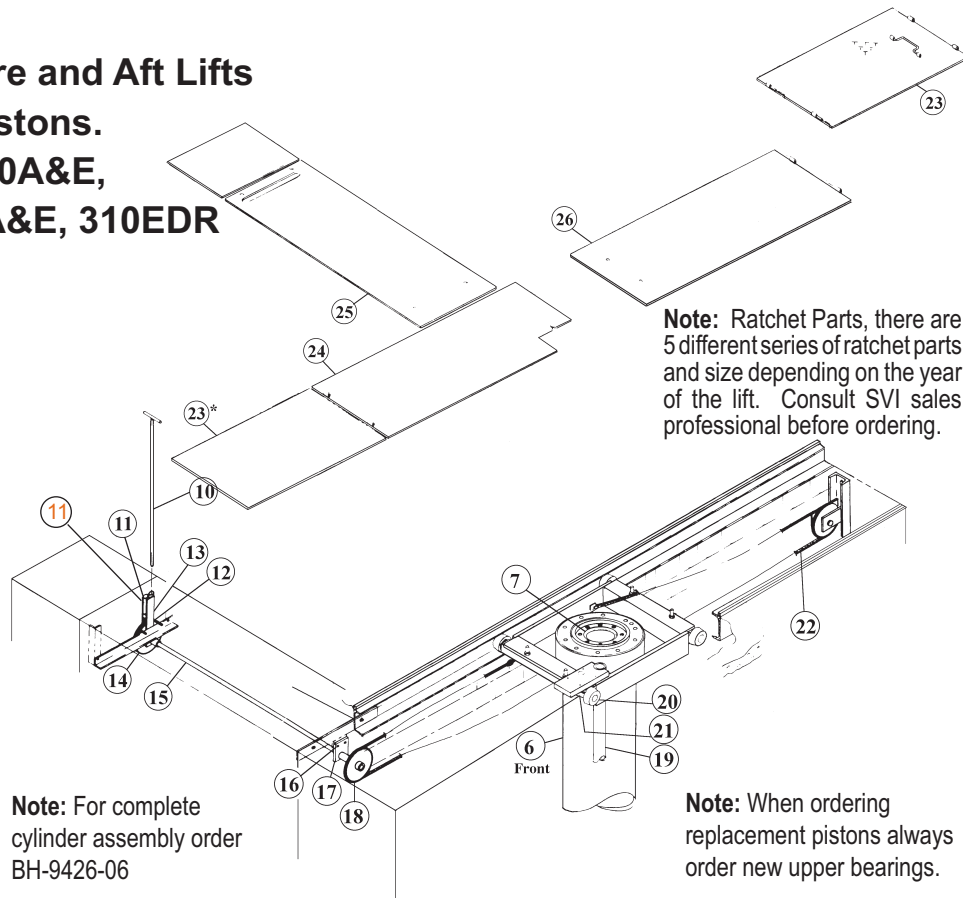
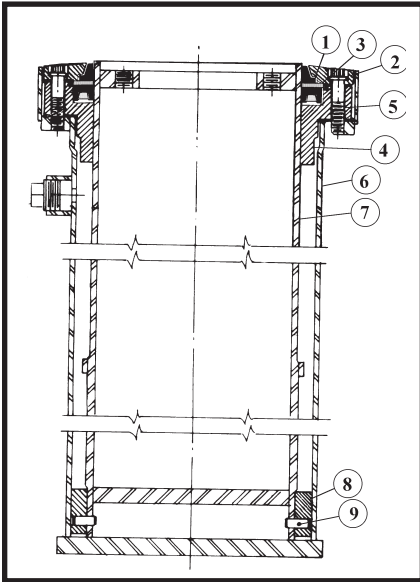
Superstructure Attachment Rear MP-810

Item	SVI #	OEM #	Req.	Description
6	BH-9431-01	B-43744	1	8-1/2" Front Casing Ass'y
	BH-9431-02	B-42577-4	1	8-1/2" Rear Casing Ass'y
	BH-9426-02	B-35573-6	1	10-5/8" Rear Casing Ass'y
7	BH-9431-03	B-37442-13	1	8-1/2" Front Plunger Ass'y
	BH-9431-04	B-37442-14	1	8-1/2" Rear Plunger Ass'y
	BH-9426-05	B-35570-22	1	10-5/8" Rear Plunger Ass'y
8	BH-9412-95	B-41584	1-2	8-1/2" Lower Guide Bearing
	BH-9420-08	B-41569	1	10-5/8" Lower Guide Bearing
9	BH-9420-03	359XM1250	2	Spring Pin
10	BH-9425-27	A-42587	4	Axle Roller Wheel
11	BH-9425-26	B-43535	2	17-1/4" Axle Rod
	BH-9425-25	B-42588	2	19" Axle Rod
12	BH-9431-13	A-43312	4	Attaching Hardware
13	BH-9431-14	B-42687	1	Ratchet Positioning Handle
14	BH-9431-25	B-43737	1	Front/Rear Bolster
15	BH-9431-16	C-43114	2	Front Adapter
16	BH-9431-20	B-43730	1	Sliding Cover Plate (Notched)
17	BH-9431-21	B-43731	1	Sliding Cover Plate (rear)
18	BH-9431-22	B-43733	1	Detachable Cover Plate

Item	SVI #	OEM #	Req.	Description
19	BH-9431-23	B-43199	2	Rear Adapter (8-1/2" piston)
20	BH-9431-24	413XH008	2	Stop Pin
21	BH-9431-25	B-43737	1	Rear Bolster (8-1/2" piston)
22	BH-9431-26	B-43182	2	Wheel Stop (8-1/2" piston)
23	BH-9431-27	C-43860-1	1	Auto Lock Plunger (rear)
	BH-9431-28	C-43860	1	Auto Lock Plunger (front)
24	BH-9428-04	B-43580	2	Rear Adapter (10-5/8" piston)
25	BH-9428-03	B-43686	1	Rear Saddle (10-5/8" piston)
26	BH-9428-05	B-43182-1	1	Wheel Stop (10-5/8" piston)
27	BH-GL-70P	B-43720-1	1	Auto Lock Plunger (10-5/8")
	BH-9428-16	B-43648	1	Auto Lock Casing (10-5/8")
28	BH-9431-30	B-43739	2	8-1/2" Cover Door (please call)
	BH-9427-18	B-43617	2	10-5/8" Cover (please call)
29	BH-9427-14	A-33114-1	2	Striker Block
30	BH-9431-31	C-43740	1	8-1/2" Pitframe Assy. (28-31)
	BH-9427-19	C-43620-1	1	10-5/8" Pitframe Assy.
31	BH-9431-32	B-43373	1	8-1/2" Bottom Sheet
	BH-9427-17	B-43244	1	10-5/8" Bottom Sheet



**Twin and Multi Post Fore and Aft Lifts
with 10-5/8" Pistons.
Models: MP-210A&E,
SHMP-210A&E, -310A&E, 310EDR**



Note: Ratchet Parts, there are 5 different series of ratchet parts and size depending on the year of the lift. Consult SVI sales professional before ordering.

Note: For complete cylinder assembly order BH-9426-06

Note: When ordering replacement pistons always order new upper bearings.

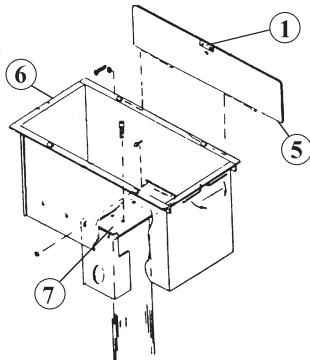
Item	SVI #	OEM #	Req	Description
1	BH-1798XU	UW102	2	Lift Packing Kit *
	BH-1798SP	UW102	2	Spring Style Lift Packing Kit *
2	BH-9420-15	B-35054	2	Wiper Seal Cover (Gland)
3	BH-9420-23	B-35056	2	Holder Ring
4	BH-9420-16	B-35055	2	Upper Guide Bearing
5	F-SC-0625-11-2750	438XG22	12	Capscrew
6	BH-9426-01	B-43707	1	Front Casing Assembly
	BH-9426-02	B-35573-6	1	Rear Casing Assembly
7	BH-9426-03	B-35570-14	1	Front Piston
	BH-9426-03	B-35570-14	1	Rear Piston SHMP-210,310
	BH-9426-05	B-35570-22	1	Rear Piston (All others)
8	BH-9420-08	B-41569	2	Lower Guide Bearing
9	BH-9420-03	359XM1250	2	Spring Pin
10	BH-9425-10	A-43359	1	Ratchet Handle see note
11	BH-9425-01		1	Ratchet Lever see note
12	BH-9425-02		1	Ratchet Dog see note

* Lift Packing kit contains seal, wiper, spring (SP kits only), plus all necessary gaskets. Please see pages 2 - 6 for identification information.

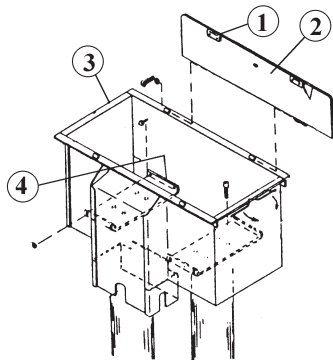
Item	SVI #	OEM #	Req	Description
13	BH-9425-03		1	Ratchet Dog Shaft see note
14	BH-9425-04		1	Ratchet Wheel see note
15	BH-9425-05		1	Ratchet Shaft (48") see note
16	BH-9425-06		1	Ratchet Hanger see note
17	BH-9425-07		1	Ratchet Hanger see note
18	BH-9425-08	B-43622	2	Ratchet Sprocket see note
11-18	BH-9425	C-43660	1	Ratchet Rebuild Kit see note
19	BH-GL-60	C-43720	1	Front Safety Leg
	BH-GL-70	C-43720-1	1	Rear Safety Leg
20-21	BH-9427		2	Axle Assembly
20	BH-9427-01	B-42750	4	Roller Wheel Assembly
21	BH-9427-02	A-42749	2	Roller Wheel Axle
22	BH-9425-09	A-43591	1	1" Pitch Roller Chain 12' pit
23	BH-9427-10	B-43611	1	Detachable Cover (* Optional)
24	BH-9427-11	B-43609	1	Sliding Cover (notched)
25	BH-9427-12	B-43653	1	Ratchet Pit Cover
26	BH-9427-13	B-43609-1	1	Sliding Cover\

Additional:

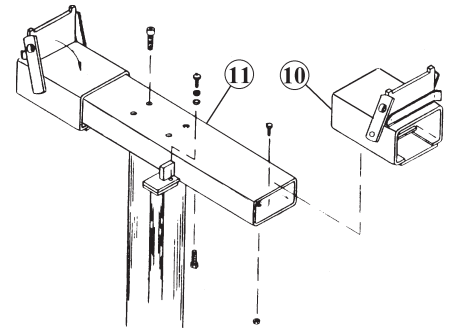
--	BH-9432-01			Air Cylinder for Latch
----	------------	--	--	------------------------



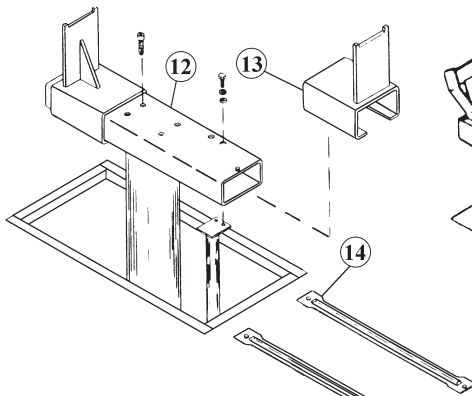
MP-210 Rear Pitframe



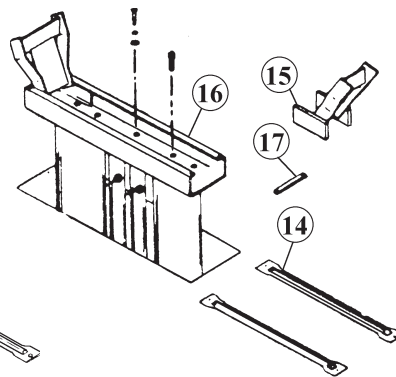
MP-310EDR Rear Pitframe



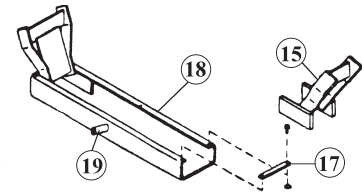
**Superstructure
for 10-5/8" Front Piston**



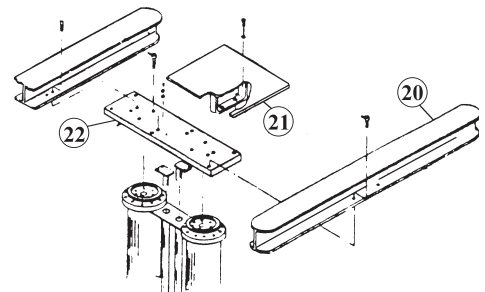
**MP-210A & E Rear
Superstructure Attachment**



**MP-310EDR Rear Superstructure
Attachment**



**SHMP-210A & E, SHMP-310E Rear
Superstructure Attachment**

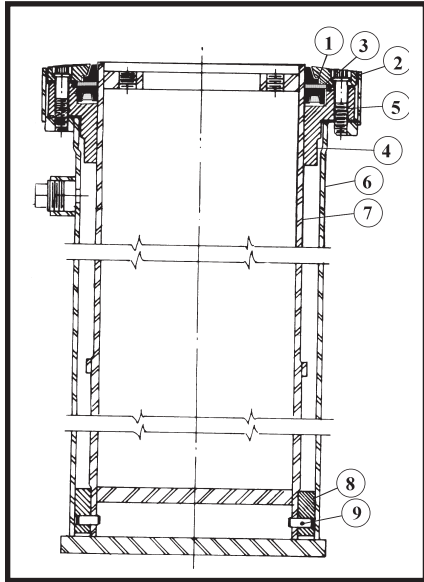


Item	SVI #	OEM #	Req	Description
1	BH-9427-14	A-33114-1	2	Striker Block
2	BH-9427-15	B-43617-1	1	Cover Only - Call for details
3	BH-9427-16	C-43620-1	1	Pitframe Assy (Incl. 1-4)
4	BH-9427-17	B-43244	1	Bottom Sheet-Call for details
5	BH-9427-18	B-43617	1	Cover Only-Call for details
6	BH-9427-19	C-43620	1	Pitframe Assy (Incl. 1,5-7)
7	BH-9427-17	B-43244	1	Bottom Sheet-Call for details
10	BH-9428-01	B-43615	2	Adapter 4" Inside Height
	BH-9428-01A	B-43978	2	Adapter 3" Inside Height
11	BH-9428-02	B-43685	1	Saddle 4" Tall
	BH-9428-02A	C-43979	1	Saddle 3" Tall
12	BH-9428-03	B-43686	1	Saddle

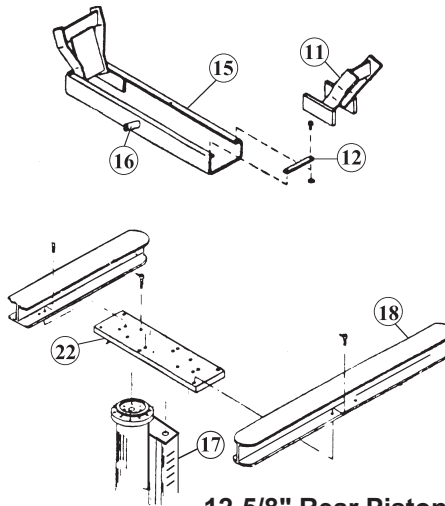
Item	SVI #	OEM #	Req	Description
13	BH-9428-04	B-43580	1	Adapter
14	BH-9428-05	B-43182-1	2	Wheel Stop
15	BH-9428-06	B-43383	2	Adapter Assembly
16	BH-9428-07	B-43714	1	Saddle
17	BH-9428-08	A-43384	2	Adapter Stops
18	BH-9428-09	B-43381	1	Rolling Saddle
19	BH-9428-10	A-43359	1	Ratchet Handle
20	BH-9428-11	B-42925	2	Rails
21	BH-9428-12	B-42923	1	Cover Assembly
22	BH-9428-13	C-43717	1	Bolster Plate (single cyl.)
	BH-9428-14	C-43716	1	Bolster Plate (tandem cyls.)



12-5/8" Fixed Piston for Truck and Bus Lifts
Model Numbers: SHRS-212E, D-SH-12E,
MP-10-12-10E, MP-1012E, and SHMP-1012E



12-5/8" Rear Piston Superstructure Attachment



12-5/8" Rear Piston Superstructure Attachment (Rail Type)



17
BH-9430-12
Auto Lock Leg

Item	SVI #	OEM #	Req.	Description
1	BH-1709X	UW121	2	Lift Packing Kit *
	BH-1709SP	UW121	2	Spring Style Lift Packing Kit *
2	BH-9430-01	B-43838-1	2	Wiper Seal Cover (Gland)
3	BH-9430-02	B-43838-2	2	Holder Ring
4	BH-9430-03	B-43838-3	2	Upper Guide Bearing
5	F-SC-0625-11-2750	438XG22	12	Capscrew
6	BH-9430-08	B-43838-8	1	Casing Ass'y (60" Stroke)
	BH-9430-09	B-43838-9	1	Casing Ass'y (70" Stroke)
7	BH-9430-06	B-43838-6	1	Piston Ass'y (60" Stroke)
	BH-9430-07	B-43838-7	1	Piston Ass'y (70" Stroke)
8	BH-9430-04	B-43838-4	2	Lower Guide Bearing
9	BH-9420-03	359XM1250	2	Spring Pin

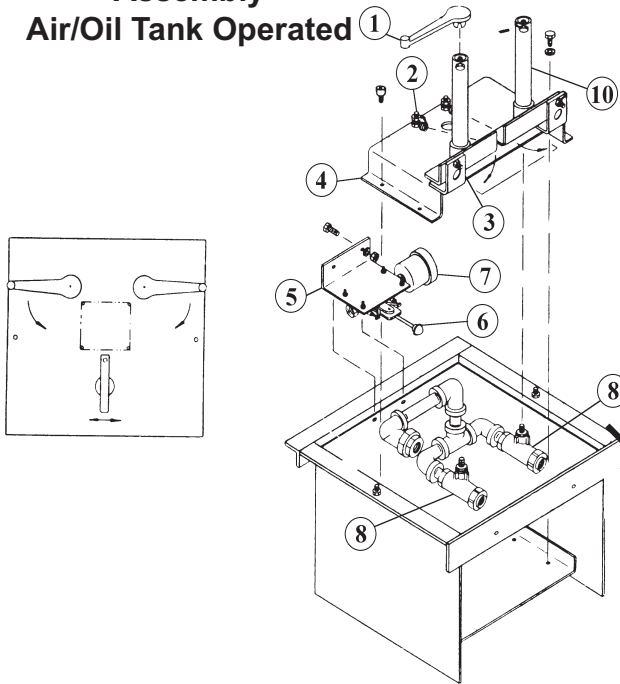
Item	SVI #	OEM #	Req.	Description
10	BH-9430-10	B-43378-1	1	Saddle
11	BH-9428-06	B-43383	2	Adapter Assembly
12	BH-9428-08	A-43384	2	Adapter Stop
13	BH-9428-05	B-43182-1	2	Wheel Stop
14	BH-9430-11	B-43831-70	1	Auto Lock Plunger
15	BH-9428-09	B-43381	1	Rolling Saddle
16	BH-9428-10	A-43359	1	Ratchet Handle
17	BH-9430-12	B-43831-60	1	Auto Lock Plunger
	BH-9430-13	B-43829	1	Auto Lock Casing
18	BH-9428-11	B-42925	2	Rails

For Pitframes, and cover plate information please see the MP-210 parts listing.

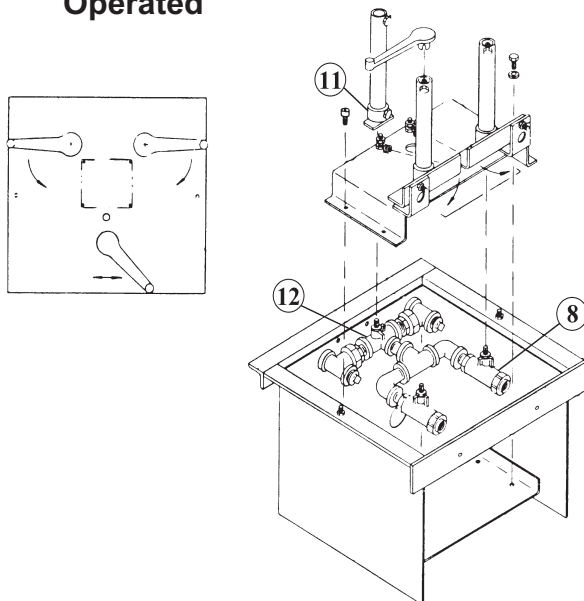
* Lift Packing kit contains seal, wiper, spring (SP kits only), plus all necessary gaskets. Please see pages 2- 6 for identification information.

Control Valves for Fore and Aft Lifts

Control Valve Manifold Assembly Air/Oil Tank Operated

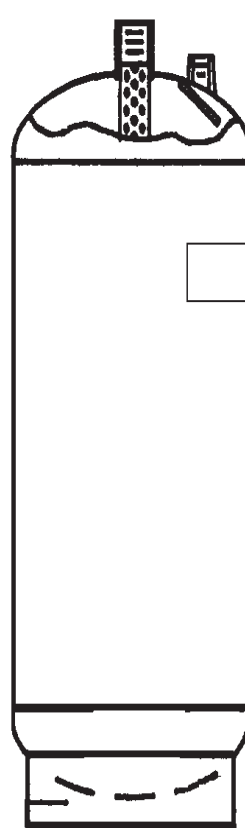


Control Valve Manifold Assembly Electric Pump Operated



Item	SVI #	OEM#	Req.	Description
1	BH-9440-01	B-41053	2	Valve Handle
2	BH-9440-02	916984	2	Return Spring
3	BH-9440-03	A-43813	2	Oil Valve Handle Ass'y.
4	BH-9440-04	B-43680t	1	Valve Retainer Ass'y.
5	BH-9440-05	A-43763	1	Air Valve Ass'y.
6	BH-9750L	571X4L	1	Air Valve
7	BH-9640	A-30080	1	Muffler
8	BH-9440-08	601 X 8	2	1"Ball Valve
10	BH-9440-06	A-43812	2	Valve Extension
11	BH-9440-09	A-43814	1	3 Way Valve Handle Ass'y.
12	BH-9440-10	605 X 8	1	3 Way Ball Valve

Air/Oil Tanks for Full Hydraulic Lifts



BH-9801-C For all Single Post or Twin 7-1/2" Posts

BH-9802-C For all Twin Post lifts with 8-1/2" Posts

BH-9804-C For Lifts with one 7-1/2" and one 10-5/8" post.

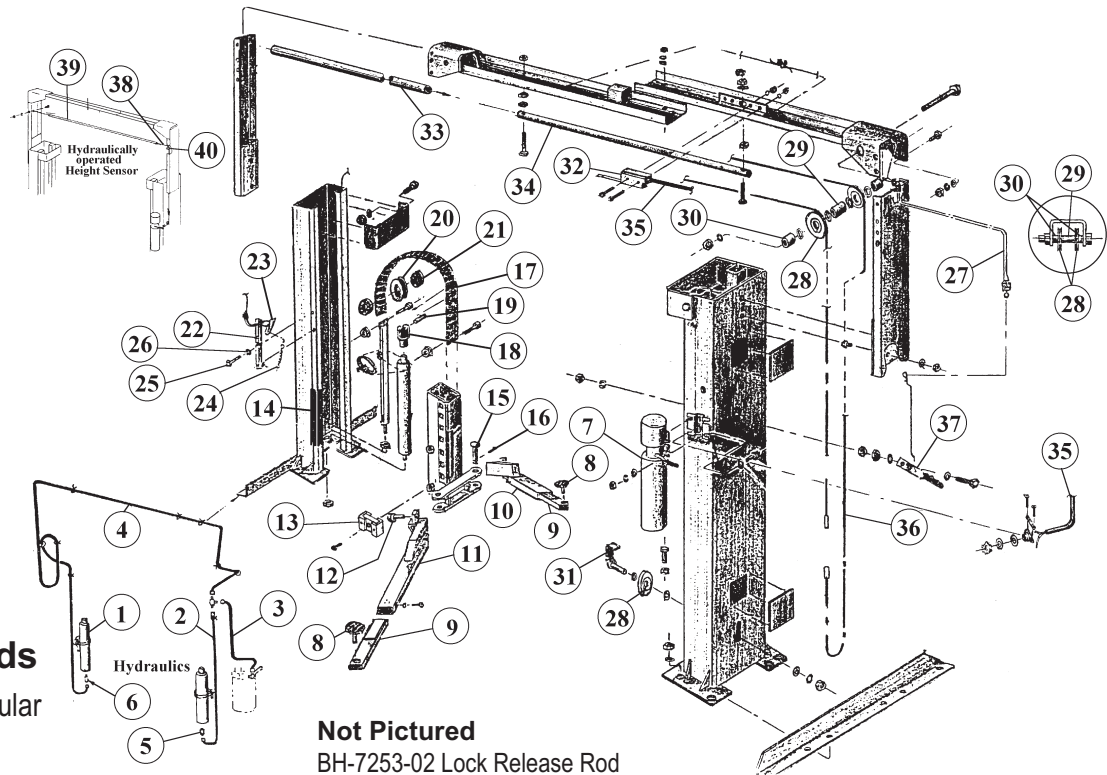
Fiberglass Coating is also available. Add an FG to the end of the tank part number to specify a fiberglass coated tank.

BH-9810 Low Oil Control Float
BH-9810-01 Hook for BH-9810

C=Complete with low oil control float, hook and fill plug/gauge.



Two Post Surface-Mount Lifts
For Models AFO7, AFO7A and EH, AFO9, AFO9A and EH



Rubber Arm Pads

- BH-7250-01** Rectangular
- BH-7250-02** Round
- BH-7250-03P** Square

Not Pictured

- BH-7253-02 Lock Release Rod
- BH-7253-01 Lock Release Pulley

Item	SVI #	OEM #	Req.	Description
1	BH-7250-37	FS-202797	2	Hydraulic Cylinder (AFO-7)
	BH-7250-39	FS-202872	2	Hydraulic Cylinder (AFO-9)
2	BH-7250-43	FS-13347	1	Cylinder Hose 1/4" x 112"
3	BH-7250-44	FS-13455	1	Pick Up Hose 3/8" x 62"
4	BH-7250-45	FS-13348	1	Crossbeam Hose for 12' High
	BH-7250-46	FS-13349	1	Crossbeam Hose for 13'6" High
5	BH-7250-47	FS-203973	1	Restrictor
6	BH-7250-48	FS-13276	1	Adapter
7	BH-7006-01		1	Power Unit
8	BH-7250-03	FS-203556	1	Screw Adapter
9	BH-7250-20R or L		4	Inner Arm (specify Left or Right)
10	BH-7250-21R or L		1	Short Front Outer Arm L or R
11	BH-7250-22R or L		1	Long Rear Outer Arm L or R
12	BH-7251-23	FS-202979	4	Arm Lock Screw
13	BH-7250-25	FS-204786	8	Bearing Assembly
13A	BH-7251-30	FS-202749	8	Bearing Shoes (Specify Size)
14	BH-7251-13	FS-202775-18	2	Bumper Strip
15	BH-7251-08	FS-202626	4	Arm Pin
16	BH-7250-28	FS-11691	4	Spring Pin
17	BH-7030	FS-13167	?	Leaf Chain
18	BH-7251-18	FS-202884	2	Clevis (yoke)
19	BH-7251-10	FS-202637	2	Clevis Shaft

Item	SVI #	OEM #	Req.	Description
20	BH-7251-14	FS-202798	2	Pulley & Shaft old style
21	BH-7250-51	FS-12074	6	Bearing
22	BH-7250-52	FS-203980	2	Latch Housing
23	BH-7250-53	FS-203314	2	Latch
24	BH-7250-54	FS-13329	2	Spring
25	F-HC-0625-11-1000	FS-13271	2	Hex Bolt
26	F-LW-0625	FS-10681	2	Lock Washer
27	BH-7250-55	FS-13106-240	2	Lock Release Cable
28	BH-7250-56	FS-203199	2	Sheave
	BH-7250-57	FS-12545	6	Sheave Bushing
29	BH-7250-58	FS-30474-3-1/4	2	Long Spacer
30	BH-7250-59	FS-30474-3/4	4	Short Spacer
31	BH-7250-60	FS-203355	2	Wire Rope Adjuster
32	BH-7250-61	FS-13280	1	Limit Switch
33	BH-7250-62	FS-13293-60	1	Hose
34	BH-7250-63	FS-203647	1	Sensor Bar
35	BH-7250-64	FS-13290-160	1	Elect. Cable
36	BH-7250-13	FS-13109	2	Equalizer Cable (12' High)
	BH-7250-14	FS-13196	2	Equalizer Cable (13'6" High)
37	BH-7250-67	FS-202946	1	Release Handle
38	BH-7250-68	FS-13106-276	1	Cable 23' x 3/32"
39	BH-7250-69	FS-13270-72	1	Hose
40	BH-7251-19	FS-202885	2	Guide Pulley Assembly

**TERMS AND CONDITIONS OF THE
SALES ORDER
FOR SVI INTERNATIONAL, INC.**

1. **GENERAL.** The terms and conditions of sales order outlined herein shall apply to the sale by SVI INTERNATIONAL, INC. (hereinafter referred to as "Company") of the items described on the facing page (hereinafter referred to as "Merchandise") to Purchaser.
2. **DELIVERY.** Delivery shall be deemed to be complete when the Merchandise has been shipped F.O.B. Company's plants in DeKalb, Illinois, Duarte, California; and Baltimore, Maryland ("Company's plants"). Shipments are subject to delays from causes or contingencies beyond the reasonable control of the Company. When otherwise not specified, shipments will be made in standard containers via carrier which, in the judgment of the Company, will result in the most practical method. Title and right of possession will pass to the Purchaser upon receipt by the carrier at the shipping point. If a customer of the Company should specify a specific carrier's method of shipment (i.e. UPS Next Day Air) and that carrier does not perform to the customer's expectations, freight credit to a customer's account will not be issued unless the Company can first obtain a credit.
3. **RISK OF LOSS.** Identification of the Merchandise under Uniform Commercial Code (hereinafter referred to as "UCC") Section 2-501 shall take place at the moment of shipment F.O.B. Company's plants. Risk of loss shall pass to the Purchaser when the Merchandise is shipped from the Company's plants.
4. **TITLE.** Title to the merchandise shall transfer to the Purchaser when the Merchandise is shipped from the Company's plants.
5. **WARRANTIES.** The Company guarantees its products to be free from defects in workmanship and raw materials for a period of one year from date of purchase. THIS WARRANTY IS EXPRESSLY IN LIEU OF ANY AND ALL WARRANTIES EXPRESS OR IMPLIED. COMPANY DOES NOT WARRANT THE MERCHANDISE IS MERCHANTABILITY OR FIT FOR ANY PARTICULAR PURPOSE. Company's liability for breach of the terms of this Agreement, including any warranty, is limited to either refund of the invoice price of the Merchandise or at Company's option, replacement of the Merchandise free of charge, including transportation charges but not including the cost of labor. Purchaser has not relied on any statement or upon the conduct of Company with respect to the prospective use of the merchandise. Company shall not be liable for and Purchaser waives any and all claims for any loss or damage, directly or indirectly, arising from the use of the Merchandise and for punitive, incidental or consequential damages, including, but not limited to, damages to property, for loss of use, loss of time, loss of profit or loss of income. The Company does not authorize the sale of our products under any other warranty, expressed or implied.
6. **SETOFF.** All claims for money due or to become due from the Company shall be subject to deduction by the Company for any setoff or counterclaim arising out of this or any other claims of the Company or its affiliated companies, whether such setoff or counterclaim arose before or after any assignment by Purchaser.
7. **INDEMNIFICATION.** Purchaser agrees to indemnify the Company and hold it harmless from and against all claims, liability, loss, damage or expense, including reasonable counsel fees, arising from or by reason of any modifications or alterations made by Purchaser. If a customer of the Company modifies or alters any part, in any manner whatsoever, or uses any part in departure from recommended performance specifications, said customer agrees to indemnify and hold the Company harmless from and against all liability and expenses based on damage to property or injury to or death of any person arising out of or attributable to such modified or altered part. Further, the Company will not accept any such modified or altered part for credit to a customer's account.
8. **FREIGHT POLICY.** Freight charges on individual orders less than \$3,000 in net value are prepaid and added to invoice or collect F.O.B. shipping point. Freight charges (standard ground service and continental US only) on individual orders more than \$3,000 net value are paid by the Company F.O.B. shipping point. Note: customers with C.O.D. terms are responsible for all carrier C.O.D. fees regardless of order net value.
9. **RETURN POLICY.** To return parts for credit or inspection Purchaser must first contact the Company to obtain a Return Goods Authorization number (RGA#). Once Purchaser has obtained an RGA# the parts can be returned freight prepaid only. The RGA# must be on the outside of the container in a highly visible location. All parts must be returned freight prepaid and the shipment must include a letter of explanation giving the specific reason for return including details as to the conditions under which the part or parts operated. Note: parts returned without an RGA#, freight collect or without written explanation may be refused. Parts which have been used in any way or manner, including any installation or incorporation into a lift or hoist, shall NOT be eligible for return whether or not an RGA has been assigned.
10. **RESTOCK CHARGE.** Returns are subject to up to twenty-five (25%) restocking charge. Refusals are subject to the same restocking charge plus the cost of outbound and return freight charges and/or fees incurred by the Company due to shipment refusal.
11. **PRICES AND PAYMENTS.** All prices are subject to change without notice. All prices are F.O.B. shipping point. The Company standard terms are net 30 days, C.O.D. company check, C.O.D. cash, VISA, MasterCard, Discover or American Express. However, if in the judgment of the Company, the financial condition of the Purchaser at any time does not justify shipment according to standard terms of payment, the Company may require full or partial payment in advance.
12. **INTERPRETATION.** This sales order is intended by the parties as a complete and exclusive statement of the terms of their agreement. It supersedes all prior agreements, written or oral. No course of prior dealings between the parties and no usage of the trade shall be relevant to supplement or explain any terms used in this sales order. Acceptance or acquiescence in a course of performance rendered under this purchase order shall not be relevant to determine the meaning of this sales order even though the accepting or acquiescing party has knowledge of the nature of the performance and opportunity for objection. Whenever a term defined by the UCC is used in this sales order the definition contained in the UCC shall control.
13. **MODIFICATION.** This sales order can be modified or rescinded only by a writing signed by both parties.
14. **WAIVER.** No claim or right arising out of a breach of this sales order can be discharged in whole or in part by a waiver or renunciation of the claim or right unless such waiver or renunciation is supported by consideration and is in writing signed by the aggrieved party.
15. **ASSIGNMENT.** No right or interest in this sales order shall be assigned by either party without the written consent of the other and no delegation of any obligation owed, or of the performance of any obligation by either the Company or Purchaser shall be made without the written consent of the other party. Any attempted assignment or delegation not made in conformity with this paragraph shall be wholly void and totally ineffective for all purposes.
16. **TIME TO PERFORM AND BRING ACTION.** Time is of the essence of this sales order. Any action for breach of this sales order shall be commenced within two (2) years after the cause of action has accrued. Any party who loses any litigation shall reimburse the other party for costs including reasonable attorneys fees. The exclusive jurisdiction for any legal action shall be the Circuit Court of DeKalb County, Illinois.
17. **APPLICABLE LAW.** This sales order shall be governed by the UCC of Illinois as effective and in force on the date of this sales order.

Offering the Best in Automotive Lift Repair Parts and More!

Auto Lift Cables • Auto Lift Parts • Brake Lathe Repair Parts

Compressed Air Repair Parts • Exhaust System Products • Fluid Delivery Repair Parts

Lubrication Equipment Repair Parts • Repair Parts for Gasboy Consumer Series

Service Station Pump and Tank Products • SVI Misc Auto Lift Products and Catalogs

Tire Changer Repair Parts • Vehicle Lifting Systems • Wheel Balancer Accessories

Serving the Industry Since 1977 • Same-Day Shipping



SVI International, Inc.

(800) 321-8173 • fax: (800) 899-1784

155 Harvestore Drive • DeKalb, IL 60115

www.sviinternational.com

BALTIMORE • CHICAGO • LOS ANGELES