

Gasboy Consumer Products

R E P A I R P A R T S



(800) 321-8173 • fax: (800) 899-1784

155 Harvestore Drive • DeKalb, IL 60115

www.sviinternational.com

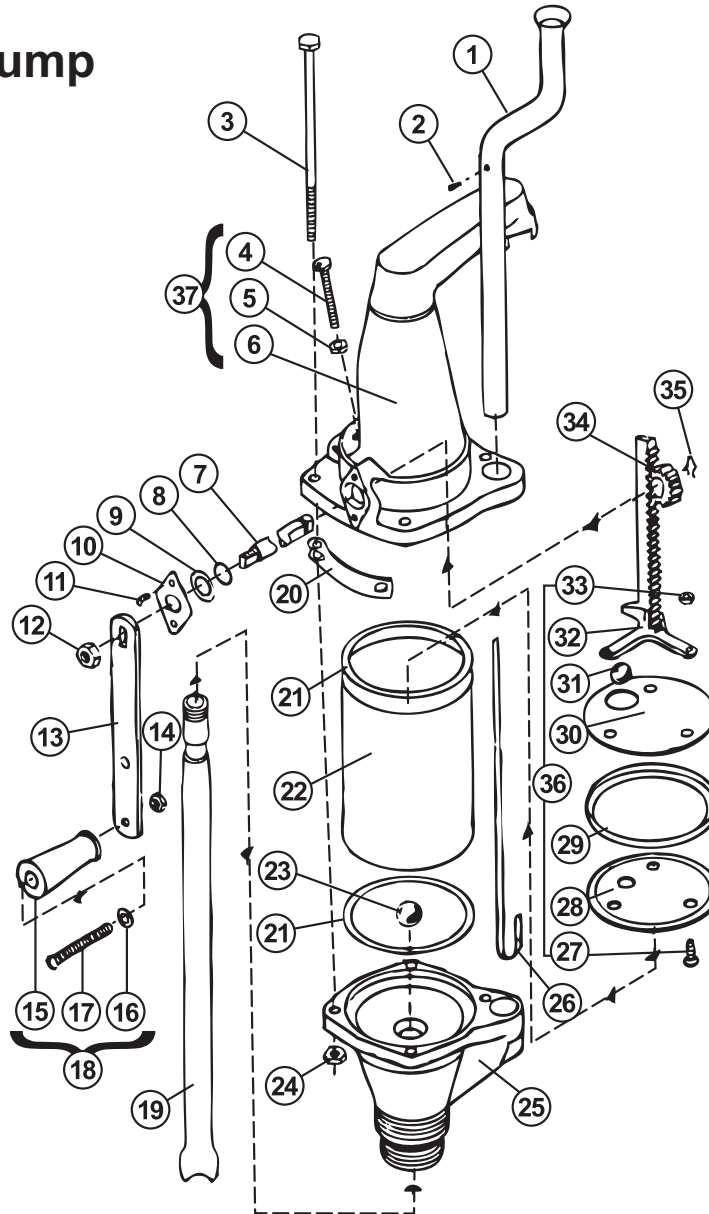
BALTIMORE • CHICAGO • LOS ANGELES

Repair Parts for:
Gasboy
Consumer
Products
PRC4210

Repair Parts for: Gasboy Consumer Products



Quart Stroke Pump Model 124



* Parts included in
Repair Kit OEM #032891
for Models 124 & 424

Item	SVI part #	OEM #	Qty	Description
1	call for details	066280	1	Swing Tube
2	call for details	053650	1	Self-Tapping Screw
3	call for details	051340	4	Tie Rod
4	call for details	052390	1	Adjusting Screw
5	call for details	038740	1	Hex Jam Nut
6	call for details	003250	1	Pump Body
7	call for details	055840	1	Shaft
8*	call for details	Q10067 04	1	O-Ring
9*	call for details	054145	1	Seal (install with lip toward pump)
10	call for details	022825	1	Seal Cover
11	call for details	Q11270 50	2	Machine Screw
12	call for details	039115	1	Hex Nut
13	call for details	023200	1	Crank
14	call for details	038725	1	Nut
15	call for details	032920	1	Knob
16	BP-4214-14B	068605	1	Steel Washer
17	call for details	Q11560 200	1	Round Head Screw
18	call for details	033010	1	Knob Assembly (incl. items 14-17)
19	call for details	064897	1	Telescoping Suction Assembly

Item	SVI part #	OEM #	Qty	Description
20	call for details	010720	1	Lock Bar
21*	call for details	026875	2	Gasket
22	call for details	023305	1	Cylinder
23	call for details	011170	1	3/4" Steel Ball (Check Valve)
24	F-HN-0250-20	038860	4	Hex Nut
25	call for details	003105	1	Pump Base
26	call for details	058030	1	Swing Return Spring
27	call for details	Q11560 55	3	Round Head Machine Screw
28	call for details	048760	1	Piston Retainer
29*	call for details	068245	1	Piston Washer
30	call for details	046870	1	Piston Plate
31	call for details	011200	1	5/8" Steel Ball (Piston Valve)
32	call for details	048160	1	Rack
33	call for details	039040	3	Hex Nut
34	call for details	043630	1	Pinion
35*	call for details	049360	1	Retaining Ring
36	call for details	045730	1	Piston & Rack Assy. (incl. items 27-33)
37	call for details	012735		Pump Body Assembly (incl. items 4-6)
38	call for details	068891	4	Lock Washer (not pictured)

Page
26



Gasboy Quick Reference

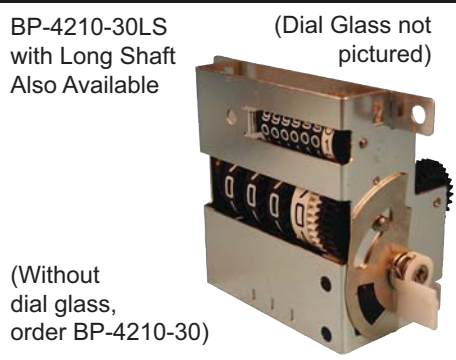
<p>BP-4210-02 Repair Kit - 20 Series (old style)</p> <p>For new style, order BP-4210-02N</p>	<p>BP-4210-01 Repair Kit for 1800, 70, 390</p>	<p>BP-4211-03 Repair Kit for 60 Series</p>
<p>BP-4210-29 Seal Kit (old style) - 20 series</p>	<p>BP-4210-29N Seal Kit (new style) - 20 series</p>	<p>BP-4211-13 Seal Kit - 60 Series</p>
<p>BP-4210-20 Gasket (OEM #M05618B001 / 027055)</p>	<p>BP-4210-07-5 Vaness (5-pack) - Series 20-26</p>	<p>BP-4211-07 Vane - 60 Series</p>
<p>BP-4210-56 Rotor for 20 Series</p>	<p>BP-4211-04 Rotor - 60 Series</p>	<p>BP-4210-22 Rotor for 70 Series, 1800 & 390</p>

Gasboy Quick Reference

BP-4210-28
Check Valve Assy.



BP-4210-30KP
Meter Register with Dial Glass



BP-4211-36
Brush/Switch Replacement Kit



BP-4210-23
Seal Kit for 70 Series & 1820



BP-4217-05
Repair Kit for 1720A, 1520 & 787



BP-4218-07A
Switch & Protector 4 Terminal



BP-4210-60
Check Valve Retrofit Kits



BP-4212-21
Left Wheel for 1860 Register



BP-4212-20
Center Wheel for 1860 Register



BP-4212-04
Meter Bezel - 4860



BP-4212-40
Meter Bezel - Round (70 Series)



BP-4210-80
Bypass Stem Assembly 70/1800





Gasboy Quick Reference

BP-4210-68

Nozzle Hanger 1820



BP-4212-34

Round Dial Mask - Gallons



BP-4212-73

Toggle Switch for Motor 70 Series



BP-4214-07

Vane - Carbon



BP-4212-02

Repair Kit for 1860 Register



BP-4217-10

Repair Kit for 1700 Series



BP-4218-30R

Nozzle Boot - 70 Series (Red)



BP-4210-58

Vacuum Breaker Assembly



BP-4211-23

Vacuum Breaker Assembly



BP-4218-20

Motor for 70 Series

(Available in Red, White or Beige)



1/3 HP Motor 60Hz. 48 Frame

BP-4218-28

Motor for 1800 Series



1/3 HP Motor 60Hz. 48 Frame

BP-4218-25 and BP-4218-26

60 Hz. Motors for 20 Series



BP-4218-25 Motor for Models 25 & 250
BP-4218-26 Motor for Models 26, 27, 28

Gasboy Quick Reference

BP-4210-67
Check Valve Assembly



BP-4211-08
Check Valve - 60 Series



BP-4210-04
Seal Kit - 600 Series



BP-4212-17
Reset Bearing



BP-4212-18
Reset Button



BP-4212-03
Repair Kit for 4860 Register



**TERMS AND CONDITIONS OF THE
SALES ORDER
FOR SVI INTERNATIONAL, INC.**

1. **GENERAL.** The terms and conditions of sales order outlined herein shall apply to the sale by SVI INTERNATIONAL, INC. (hereinafter referred to as "Company") of the items described on the facing page (hereinafter referred to as "Merchandise") to Purchaser.
2. **DELIVERY.** Delivery shall be deemed to be complete when the Merchandise has been shipped F.O.B. Company's plants in DeKalb, Illinois, Duarte, California; and Baltimore, Maryland ("Company's plants"). Shipments are subject to delays from causes or contingencies beyond the reasonable control of the Company. When otherwise not specified, shipments will be made in standard containers via carrier which, in the judgment of the Company, will result in the most practical method. Title and right of possession will pass to the Purchaser upon receipt by the carrier at the shipping point. If a customer of the Company should specify a specific carrier's method of shipment (i.e. UPS Next Day Air) and that carrier does not perform to the customer's expectations, freight credit to a customer's account will not be issued unless the Company can first obtain a credit.
3. **RISK OF LOSS.** Identification of the Merchandise under Uniform Commercial Code (hereinafter referred to as "UCC") Section 2-501 shall take place at the moment of shipment F.O.B. Company's plants. Risk of loss shall pass to the Purchaser when the Merchandise is shipped from the Company's plants.
4. **TITLE.** Title to the merchandise shall transfer to the Purchaser when the Merchandise is shipped from the Company's plants.
5. **WARRANTIES.** The Company guarantees its products to be free from defects in workmanship and raw materials for a period of one year from date of purchase. THIS WARRANTY IS EXPRESSLY IN LIEU OF ANY AND ALL WARRANTIES EXPRESS OR IMPLIED. COMPANY DOES NOT WARRANT THE MERCHANDISE IS MERCHANTABLE OR FIT FOR ANY PARTICULAR PURPOSE. Company's liability for breach of the terms of this Agreement, including any warranty, is limited to either refund of the invoice price of the Merchandise or at Company's option, replacement of the Merchandise free of charge, including transportation charges but not including the cost of labor. Purchaser has not relied on any statement or upon the conduct of Company with respect to the prospective use of the merchandise. Company shall not be liable for and Purchaser waives any and all claims for any loss or damage, directly or indirectly, arising from the use of the Merchandise and for punitive, incidental or consequential damages, including, but not limited to, damages to property, for loss of use, loss of time, loss of profit or loss of income. The Company does not authorize the sale of our products under any other warranty, expressed or implied.
6. **SETOFF.** All claims for money due or to become due from the Company shall be subject to deduction by the Company for any setoff or counterclaim arising out of this or any other claims of the Company or its affiliated companies, whether such setoff or counterclaim arose before or after any assignment by Purchaser.
7. **INDEMNIFICATION.** Purchaser agrees to indemnify the Company and hold it harmless from and against all claims, liability, loss, damage or expense, including reasonable counsel fees, arising from or by reason of any modifications or alterations made by Purchaser. If a customer of the Company modifies or alters any part, in any manner whatsoever, or uses any part in departure from recommended performance specifications, said customer agrees to indemnify and hold the Company harmless from and against all liability and expenses based on damage to property or injury to or death of any person arising out of or attributable to such modified or altered part. Further, the Company will not accept any such modified or altered part for credit to a customer's account.
8. **FREIGHT POLICY.** Freight charges on individual orders less than \$3,000 in net value are prepaid and added to invoice or collect F.O.B. shipping point. Freight charges (standard ground service and continental US only) on individual orders more than \$3,000 net value are paid by the Company F.O.B. shipping point. Note: customers with C.O.D. terms are responsible for all carrier C.O.D. fees regardless of order net value.
9. **RETURN POLICY.** To return parts for credit or inspection Purchaser must first contact the Company to obtain a Return Goods Authorization number (RGA#). Once Purchaser has obtained an RGA# the parts can be returned freight prepaid only. The RGA# must be on the outside of the container in a highly visible location. All parts must be returned freight prepaid and the shipment must include a letter of explanation giving the specific reason for return including details as to the conditions under which the part or parts operated. Note: parts returned without an RGA#, freight collect or without written explanation may be refused. Parts which have been used in any way or manner, including any installation or incorporation into a lift or hoist, shall NOT be eligible for return whether or not an RGA has been assigned.
10. **RESTOCK CHARGE.** Returns are subject to up to twenty-five (25%) restocking charge. Refusals are subject to the same restocking charge plus the cost of outbound and return freight charges and/or fees incurred by the Company due to shipment refusal.
11. **PRICES AND PAYMENTS.** All prices are subject to change without notice. All prices are F.O.B. shipping point. The Company standard terms are net 30 days, C.O.D. company check, C.O.D. cash, VISA, MasterCard, Discover or American Express. However, if in the judgment of the Company, the financial condition of the Purchaser at any time does not justify shipment according to standard terms of payment, the Company may require full or partial payment in advance.
12. **INTERPRETATION.** This sales order is intended by the parties as a complete and exclusive statement of the terms of their agreement. It supersedes all prior agreements, written or oral. No course of prior dealings between the parties and no usage of the trade shall be relevant to supplement or explain any terms used in this sales order. Acceptance or acquiescence in a course of performance rendered under this purchase order shall not be relevant to determine the meaning of this sales order even though the accepting or acquiescing party has knowledge of the nature of the performance and opportunity for objection. Whenever a term defined by the UCC is used in this sales order the definition contained in the UCC shall control.
13. **MODIFICATION.** This sales order can be modified or rescinded only by a writing signed by both parties.
14. **WAIVER.** No claim or right arising out of a breach of this sales order can be discharged in whole or in part by a waiver or renunciation of the claim or right unless such waiver or renunciation is supported by consideration and is in writing signed by the aggrieved party.
15. **ASSIGNMENT.** No right or interest in this sales order shall be assigned by either party without the written consent of the other and no delegation of any obligation owed, or of the performance of any obligation by either the Company or Purchaser shall be made without the written consent of the other party. Any attempted assignment or delegation not made in conformity with this paragraph shall be wholly void and totally ineffective for all purposes.
16. **TIME TO PERFORM AND BRING ACTION.** Time is of the essence of this sales order. Any action for breach of this sales order shall be commenced within two (2) years after the cause of action has accrued. Any party who loses any litigation shall reimburse the other party for costs including reasonable attorneys fees. The exclusive jurisdiction for any legal action shall be the Circuit Court of DeKalb County, Illinois.
17. **APPLICABLE LAW.** This sales order shall be governed by the UCC of Illinois as effective and in force on the date of this sales order.

Offering the Best in Automotive Lift Repair Parts and More!

Auto Lift Cables • Auto Lift Parts • Brake Lathe Repair Parts

Compressed Air Repair Parts • Exhaust System Products • Fluid Delivery Repair Parts

Lubrication Equipment Repair Parts • Repair Parts for Gasboy Consumer Series

Service Station Pump and Tank Products • SVI Misc Auto Lift Products and Catalogs

Tire Changer Repair Parts • Vehicle Lifting Systems • Wheel Balancer Accessories

Serving the Industry Since 1977 • Same-Day Shipping



SVI International, Inc.

(800) 321-8173 • fax: (800) 899-1784

155 Harvestore Drive • DeKalb, IL 60115

www.sviinternational.com

BALTIMORE • CHICAGO • LOS ANGELES